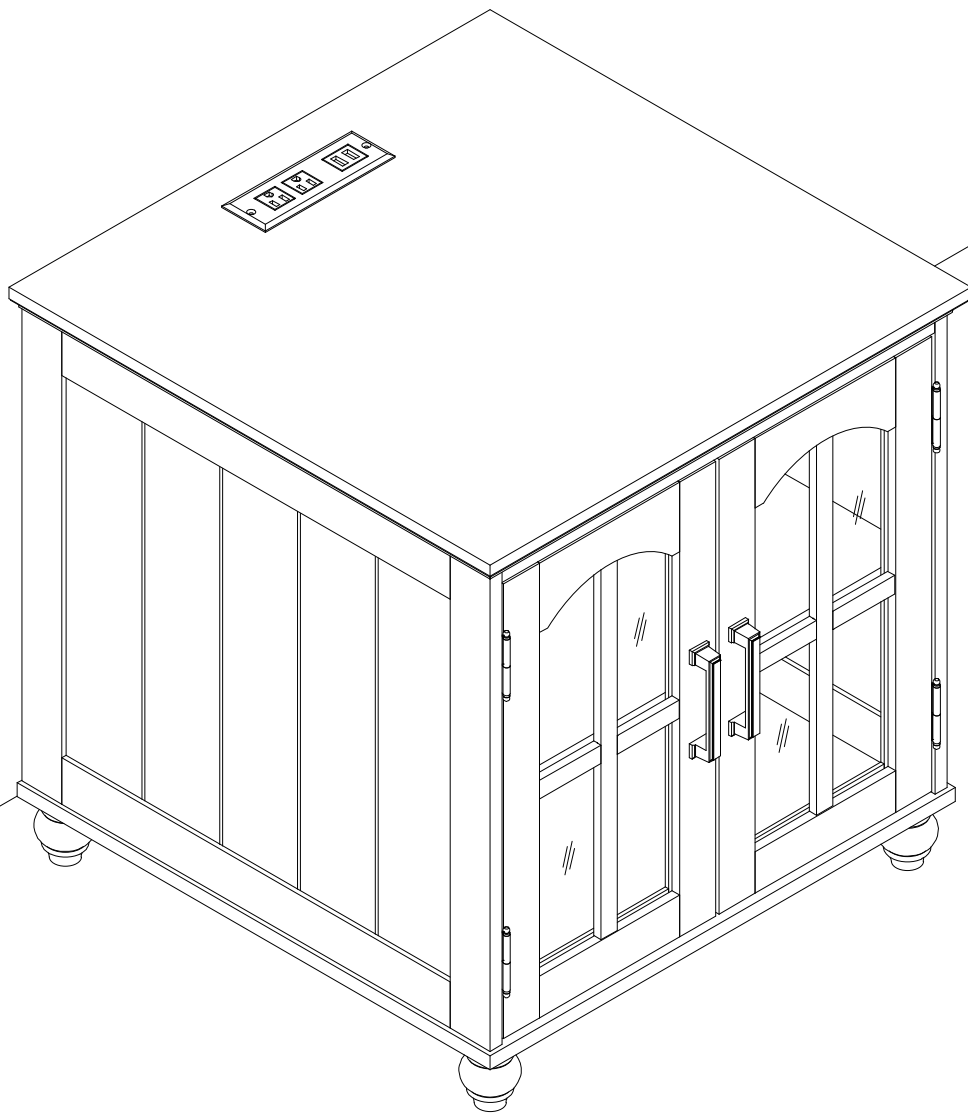


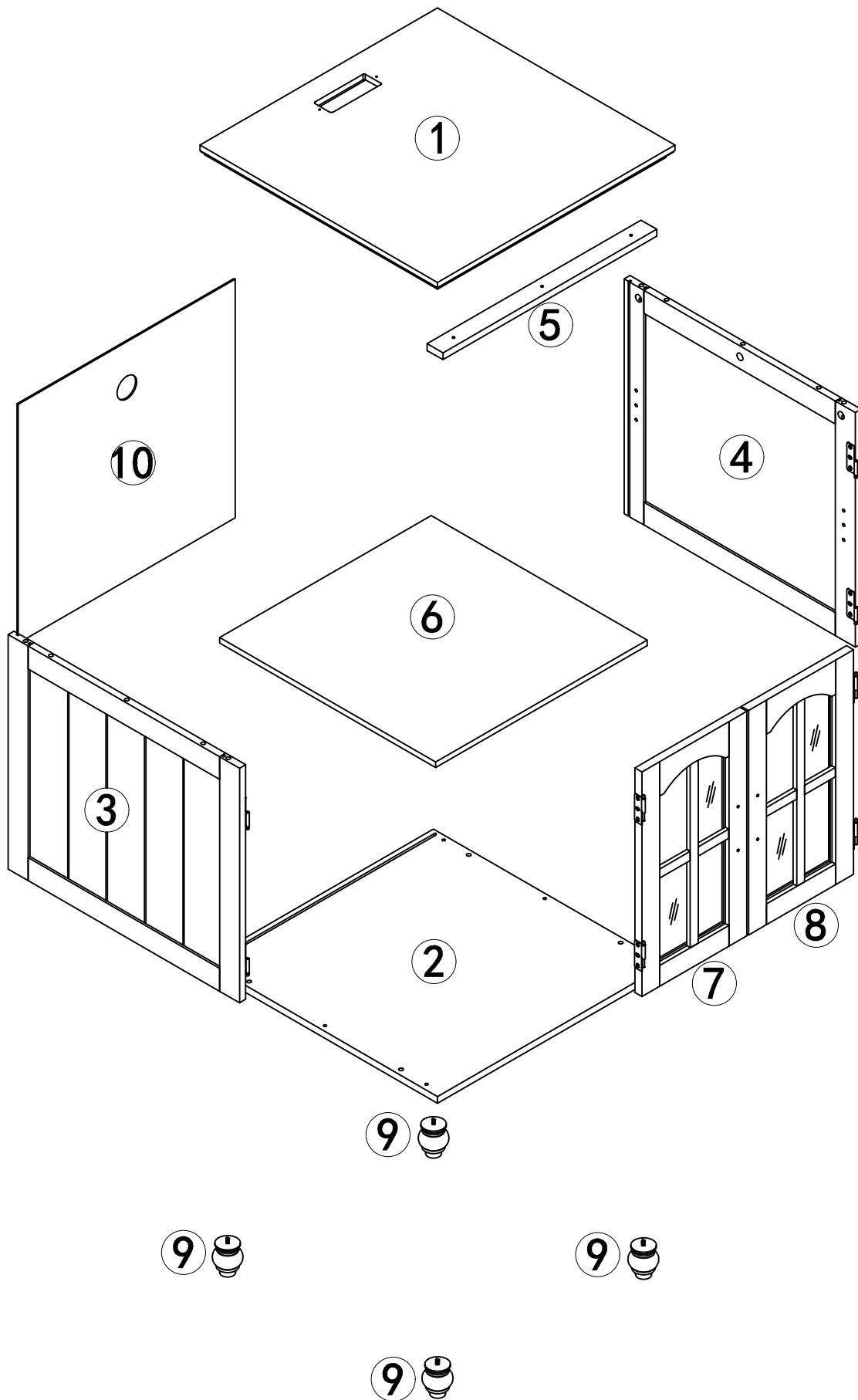
# Assembly Instructions









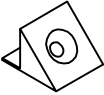

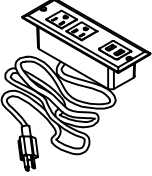


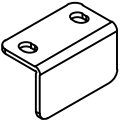

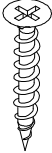


Instructions for use: The cabinet legs should be designed to avoid lateral stress. When moving, please lift vertically off the ground. Dragging may cause loose connectors, affecting stability and service life

# PART LIST

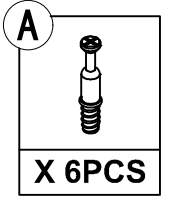
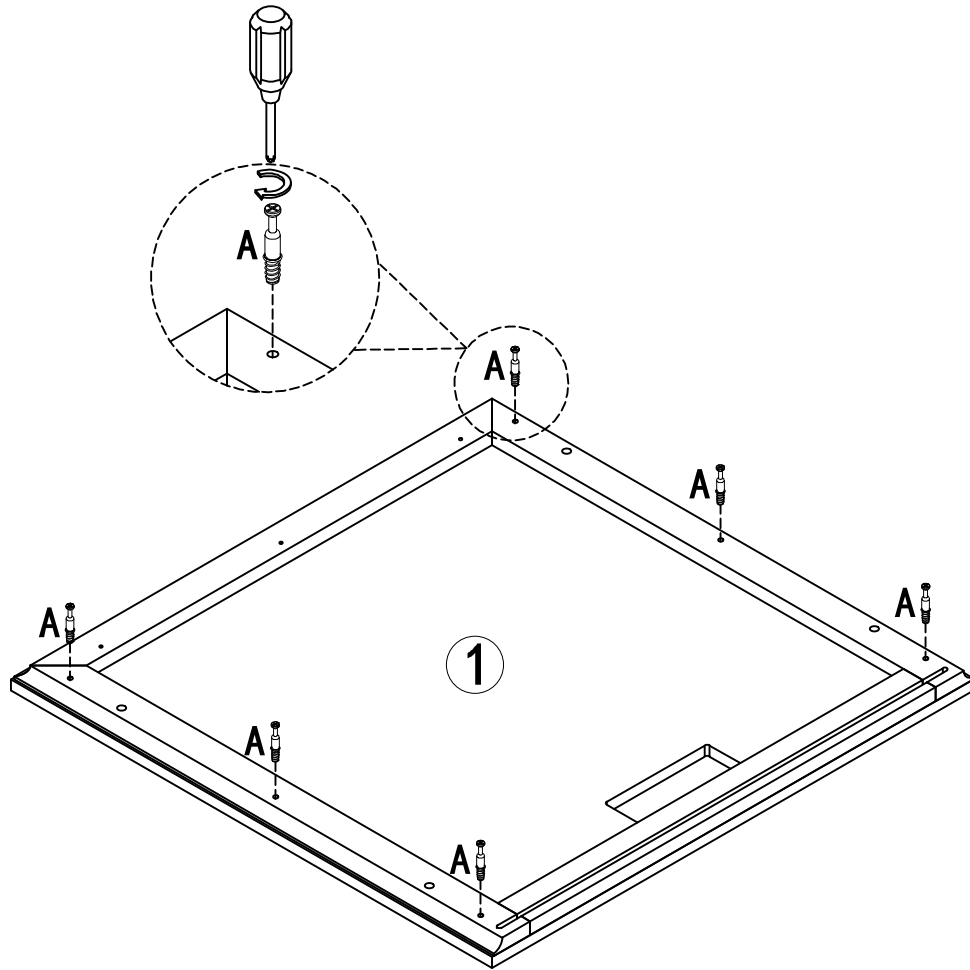
---



# HARDWARE LIST

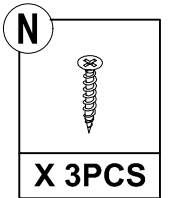
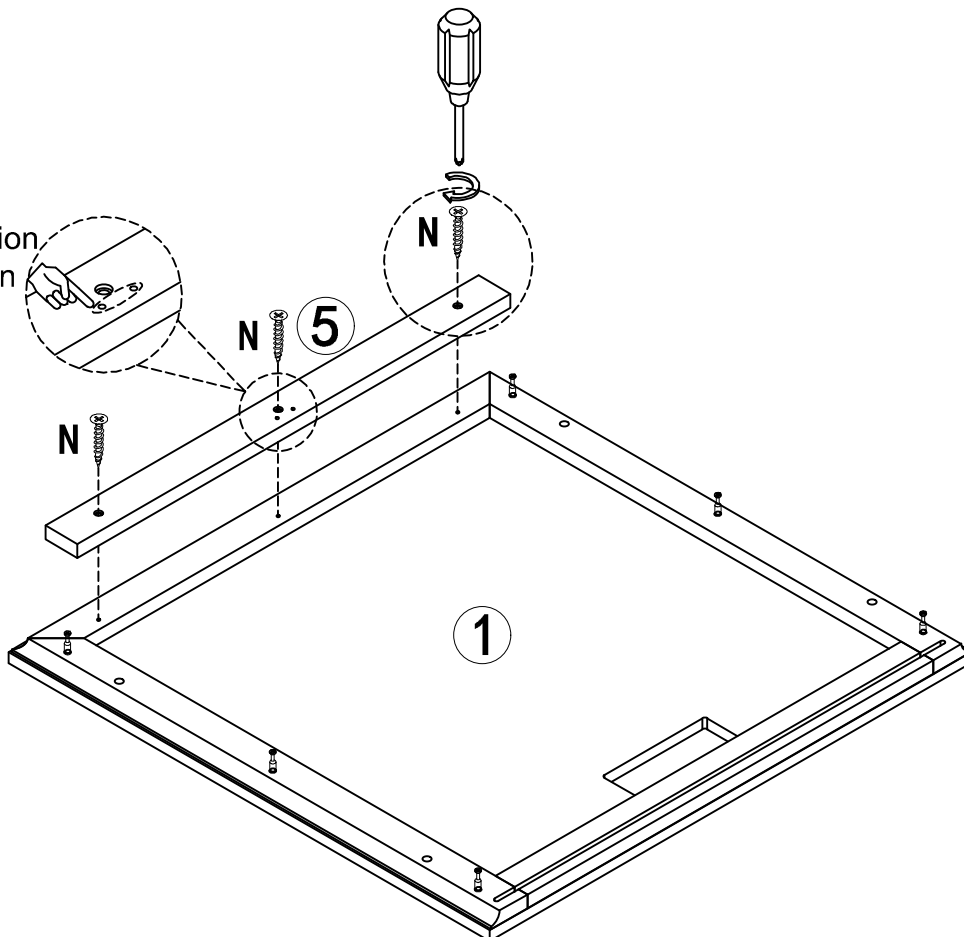
<b>A</b>  Ø6x35mm 6PCS	<b>B</b>  Ø15x9.5mm 6PCS	<b>C</b>  Ø8x30mm (8+1)PCS
<b>D</b>  Ø5x40mm 6PCS	<b>E</b>  2PCS	<b>F</b>  Ø4x22mm 4PCS
<b>G</b>  (4+1)PCS	<b>H</b>  Ø3x15mm (4+1)PCS	<b>I</b>  1PC
<b>J</b>  Ø3x12mm (2+1)PCS	<b>K</b>  4PCS	<b>L</b>  1PC
<b>M</b>  Ø3.5x14mm 2PCS	<b>N</b>  (3+1)PCS	 1PC
 1PC		

STEP 1

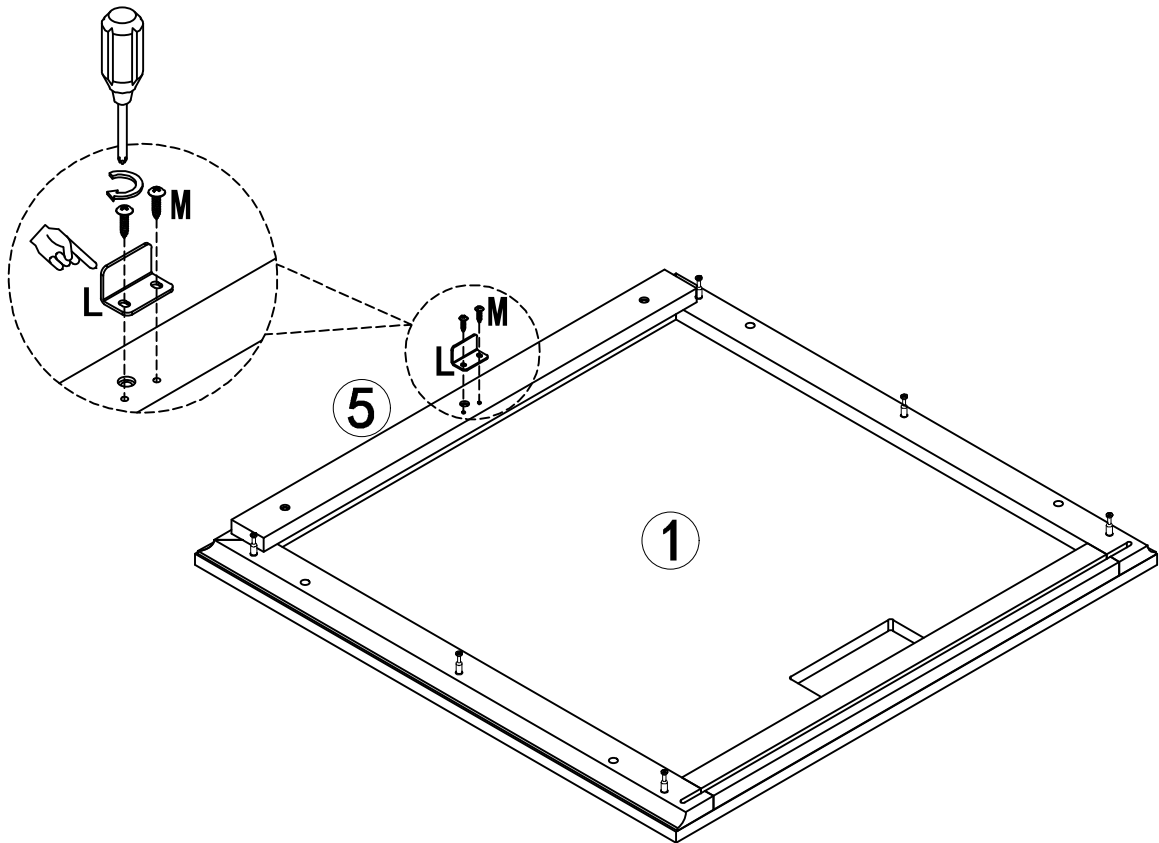
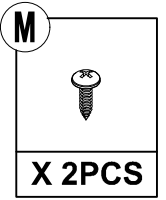
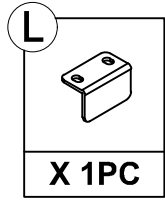


STEP 2

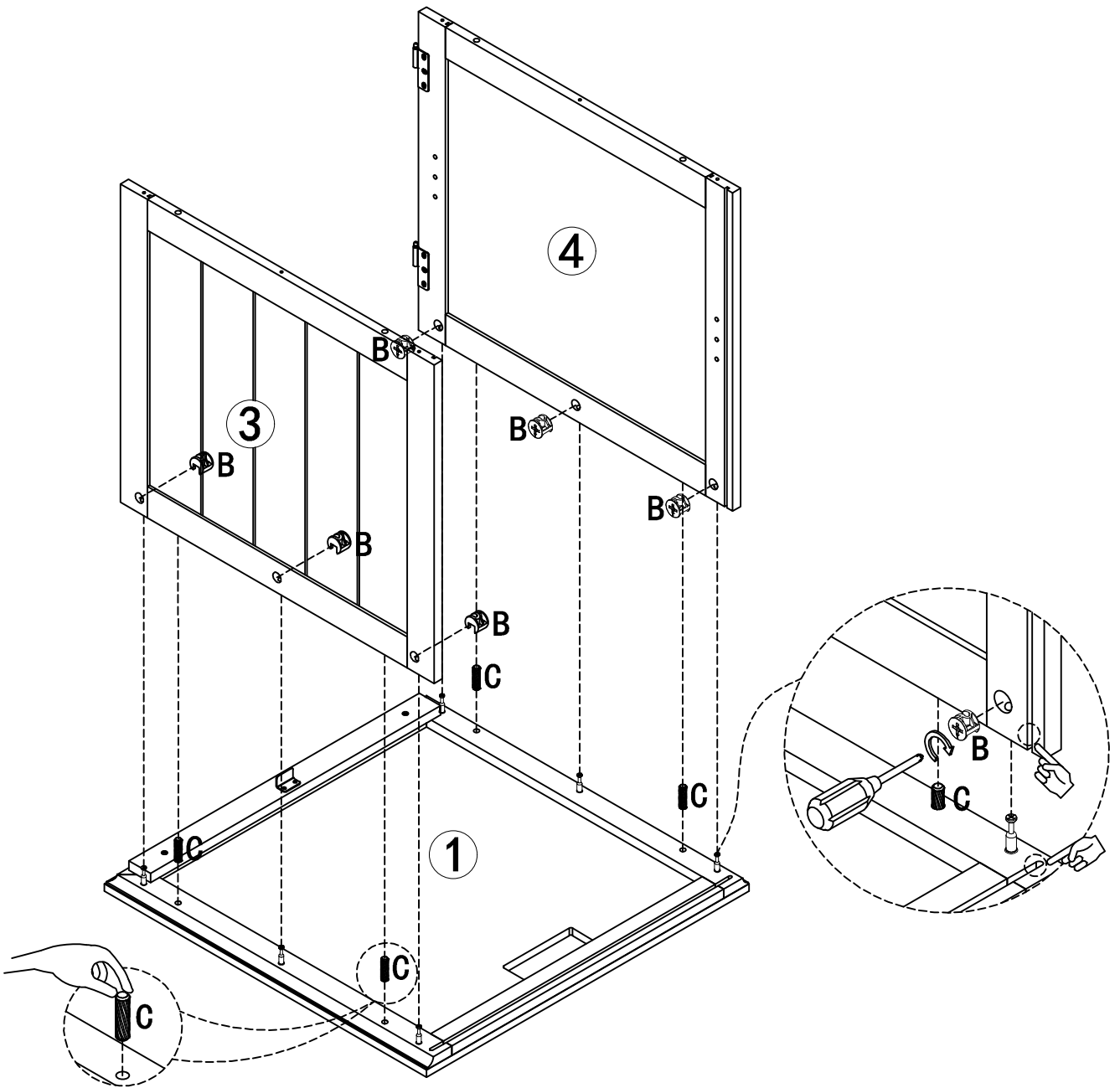
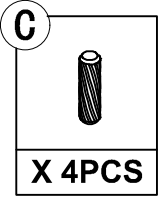
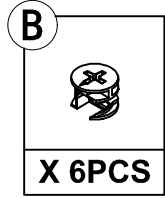
NOTE: Pay attention to the hole location



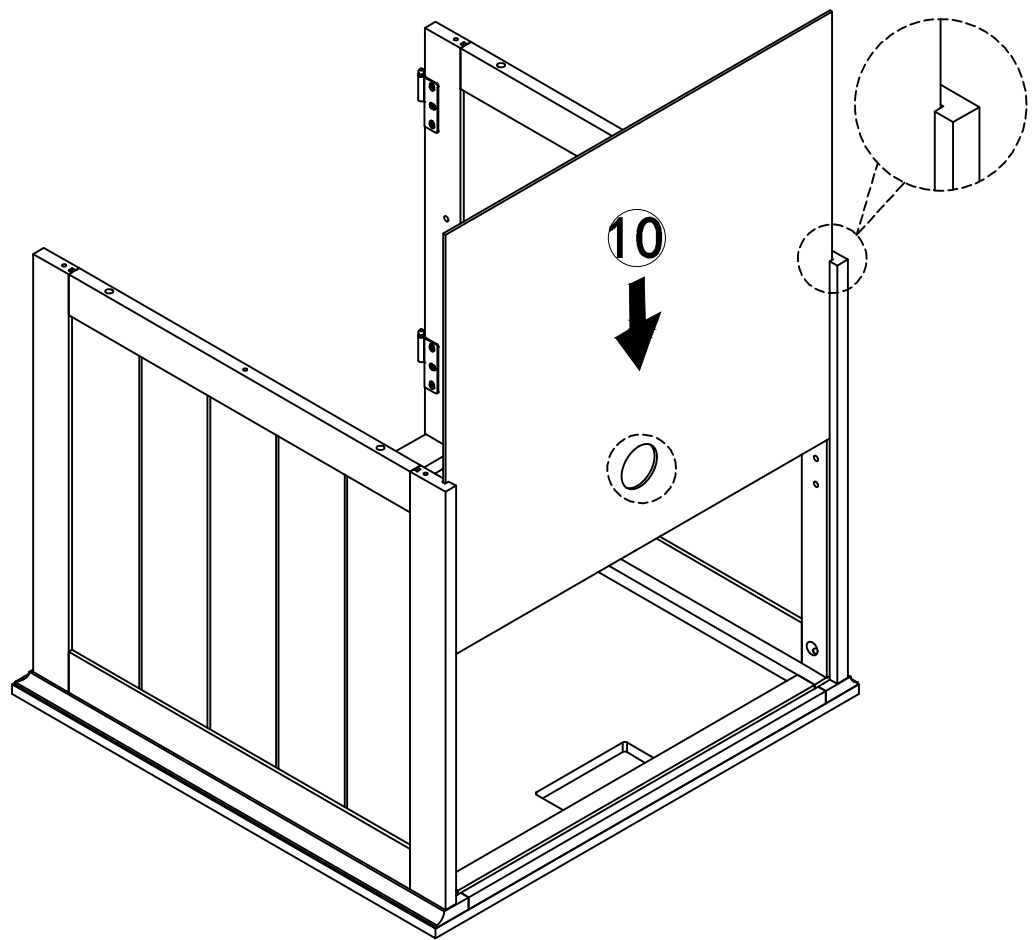
STEP 3



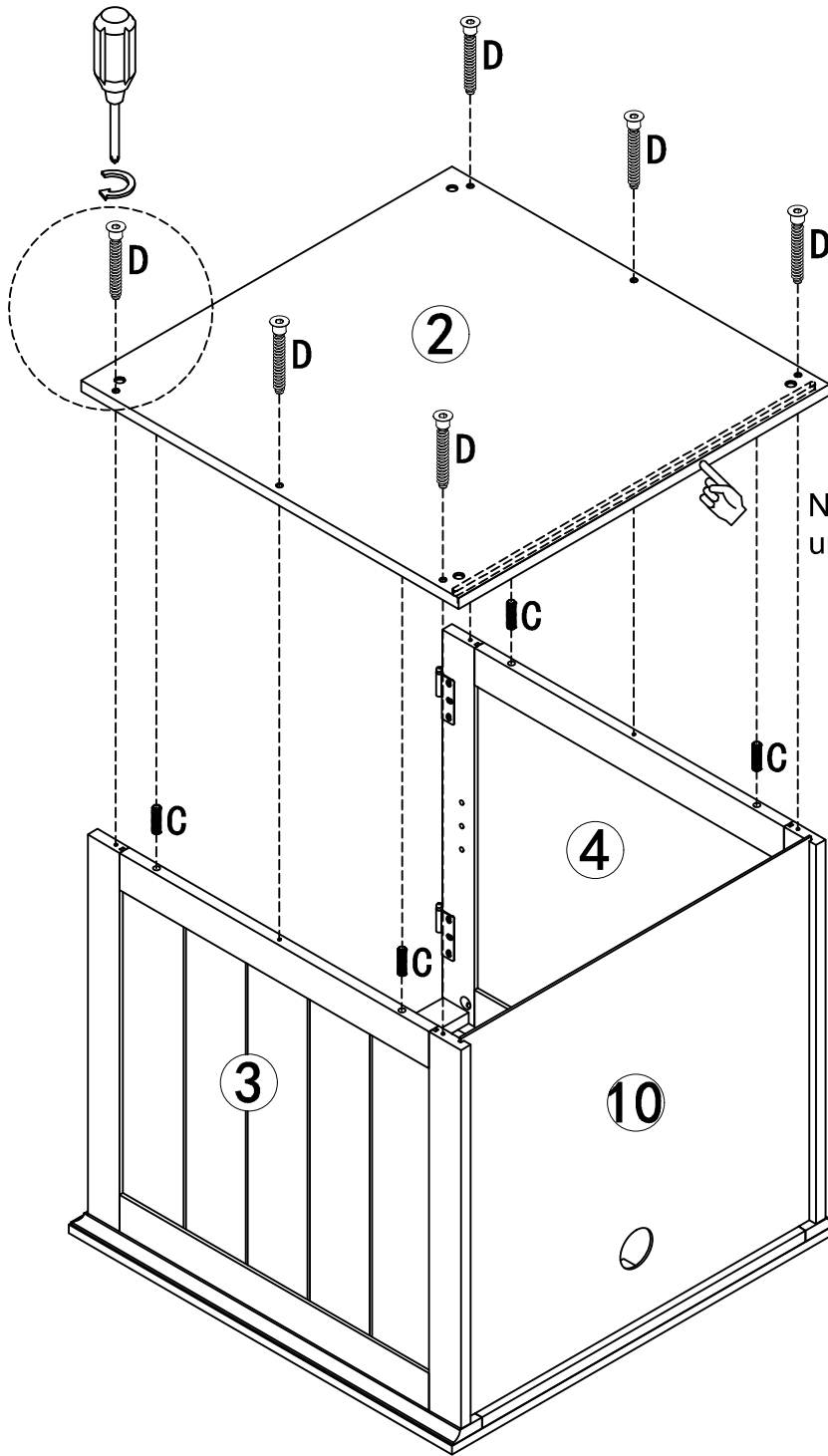
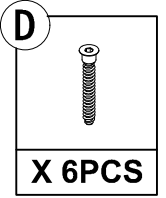
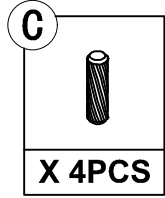
STEP 4



STEP 5

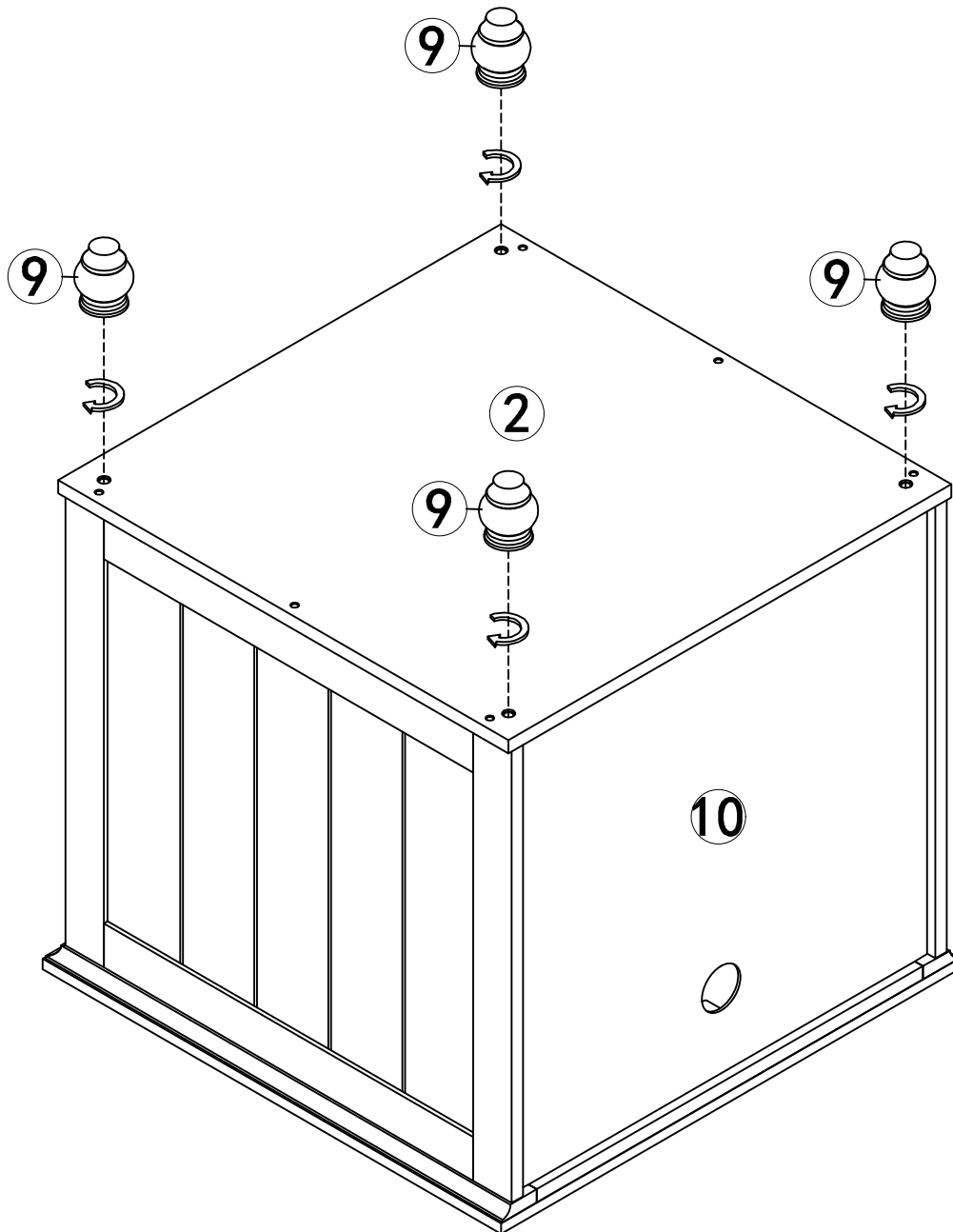


STEP 6

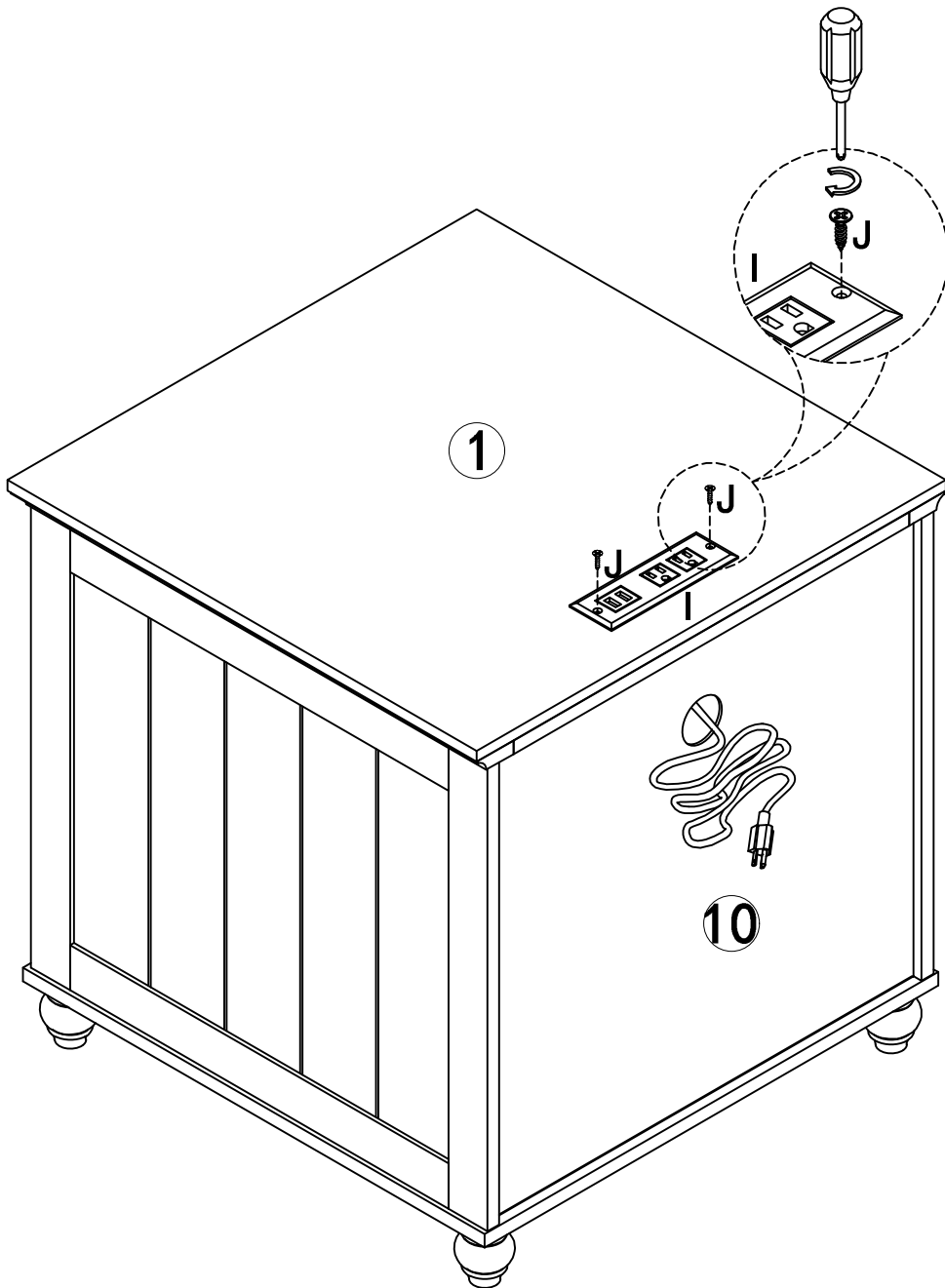
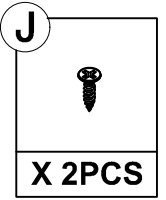
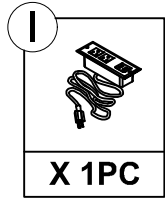


NOTE: that the slot is under here


STEP 7

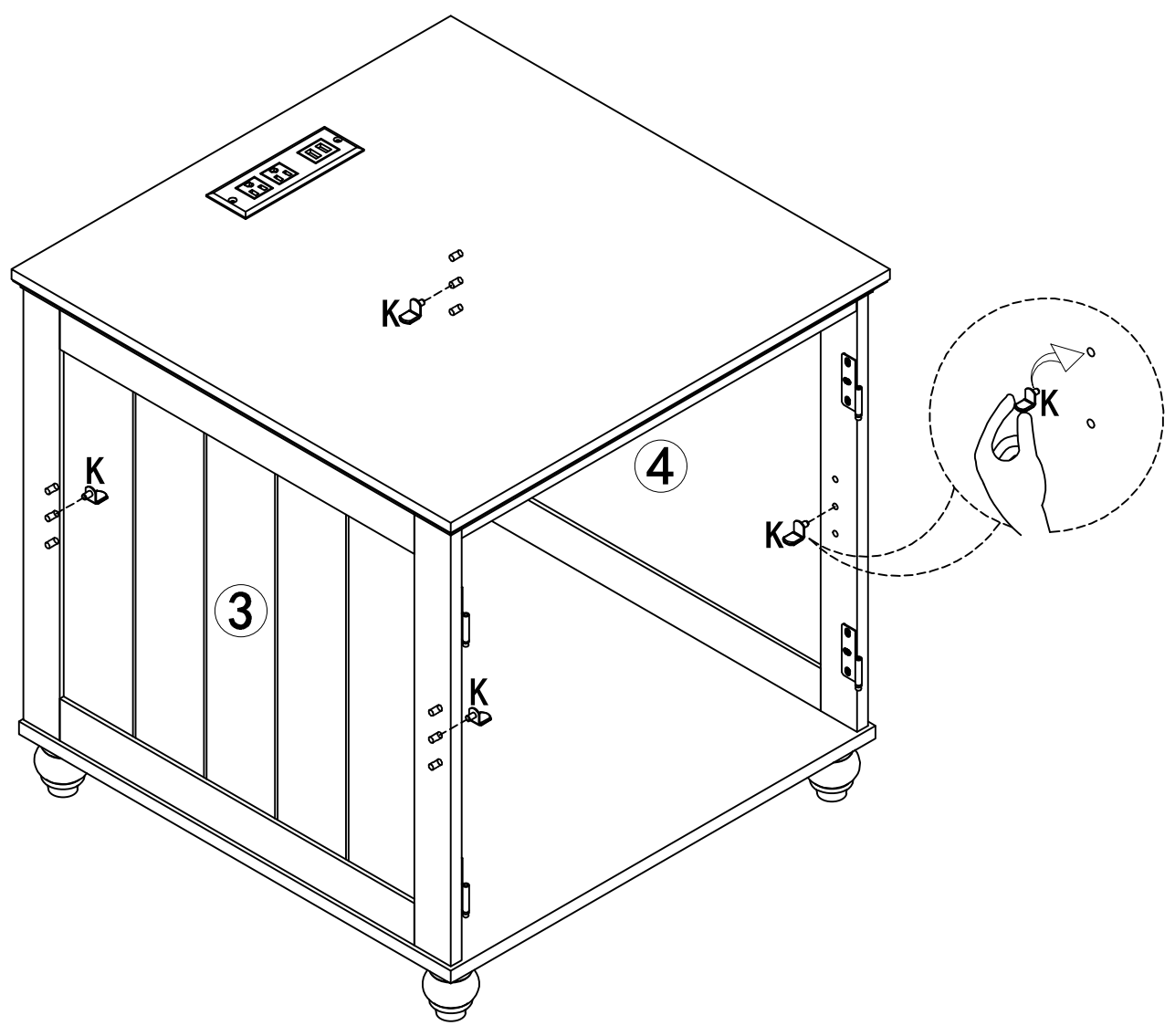


STEP 8

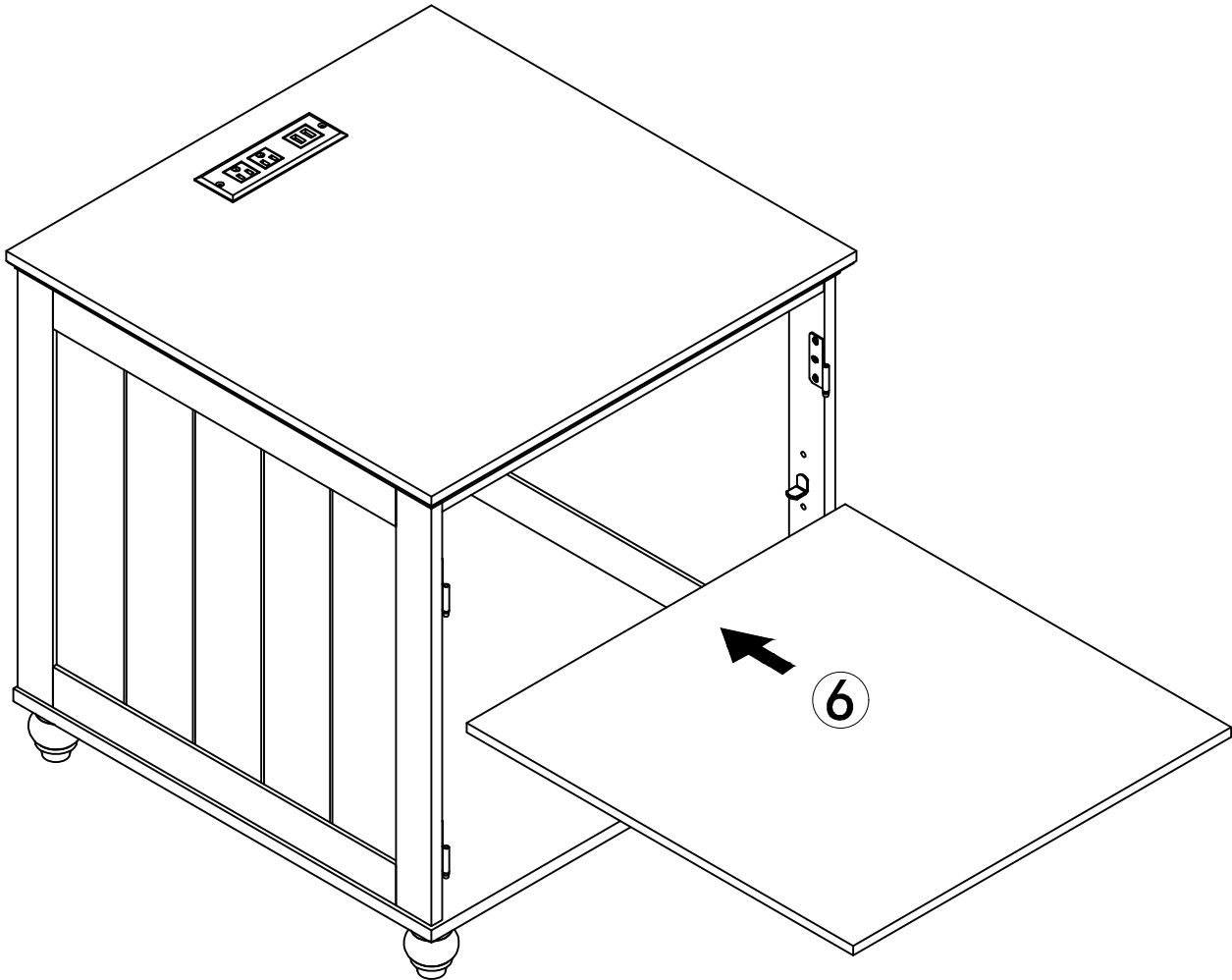


STEP 9



**K**  
  
**X 4PCS**

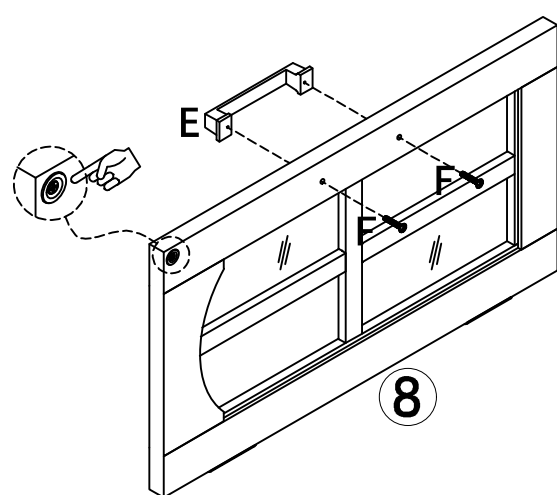
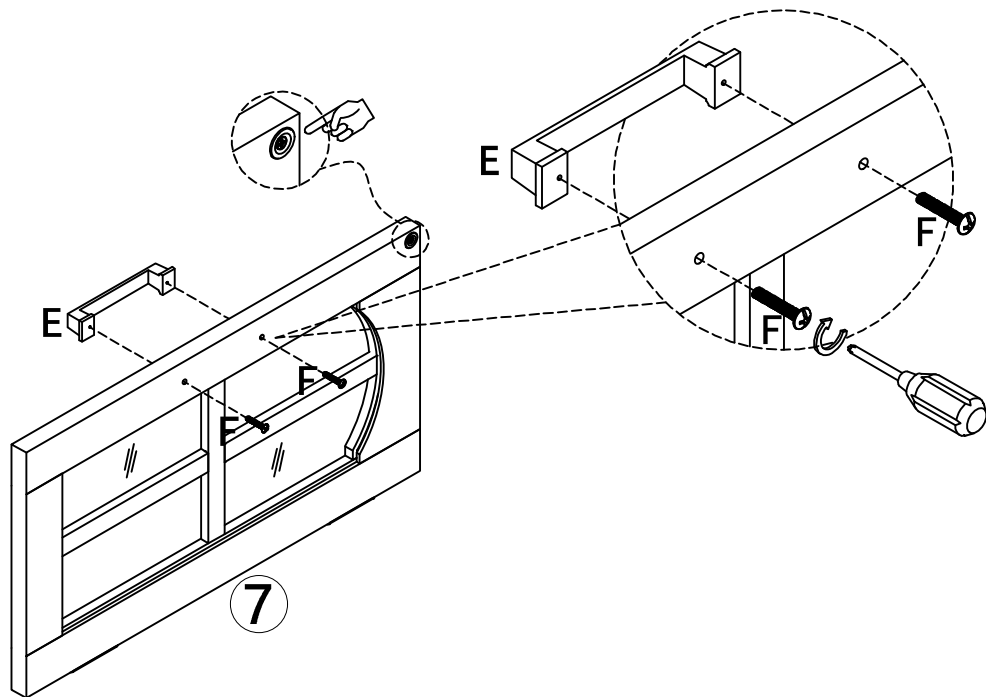


STEP 10

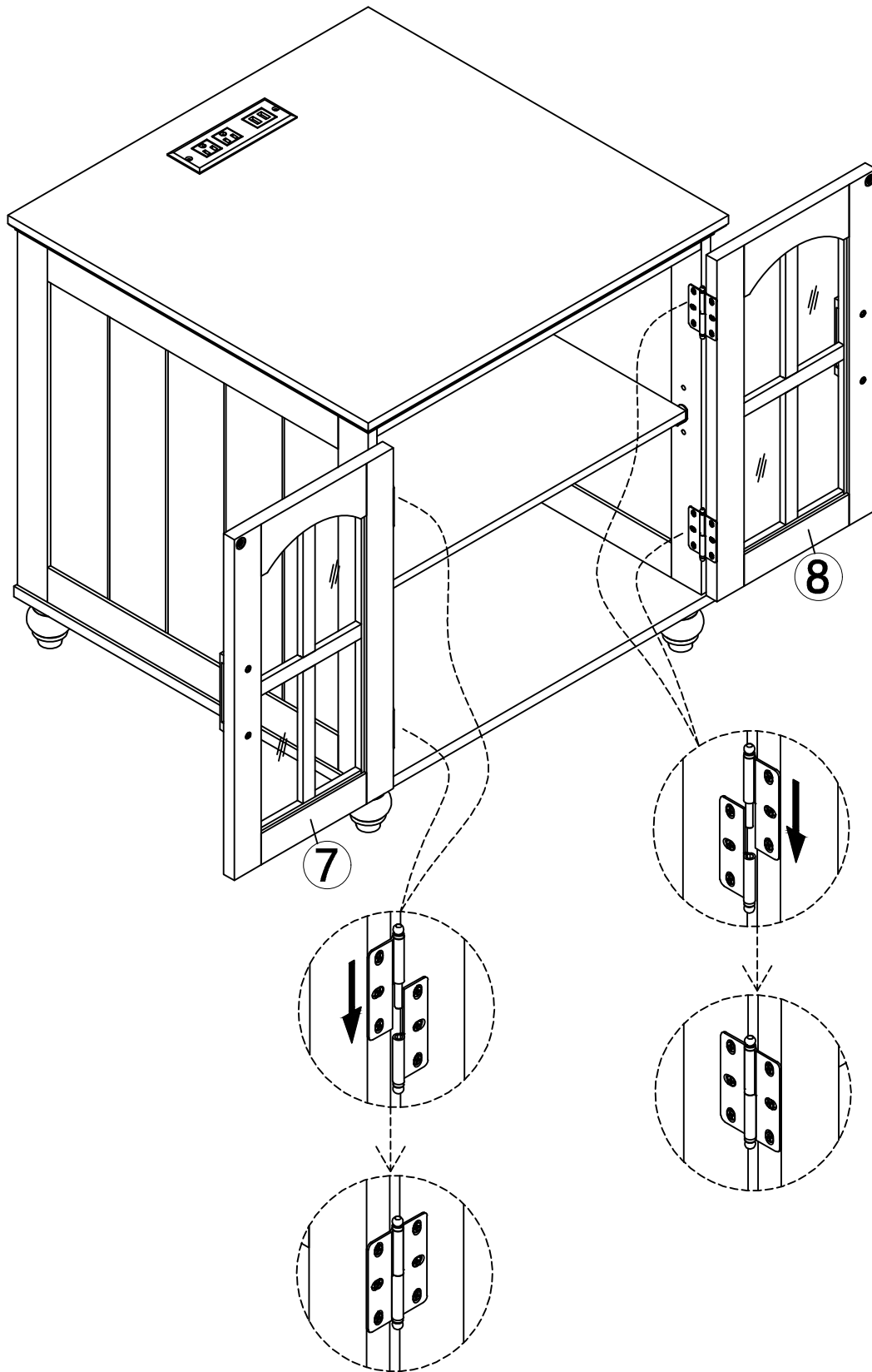


STEP 11

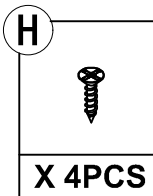
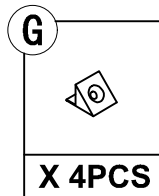
<b>E</b> 	<b>F</b> 
<b>X 2PCS</b>	<b>X 4PCS</b>



STEP 12



STEP 13



NOTE: If the gap at the bottom of the door is too small, please follow the steps below to adjust it.

