






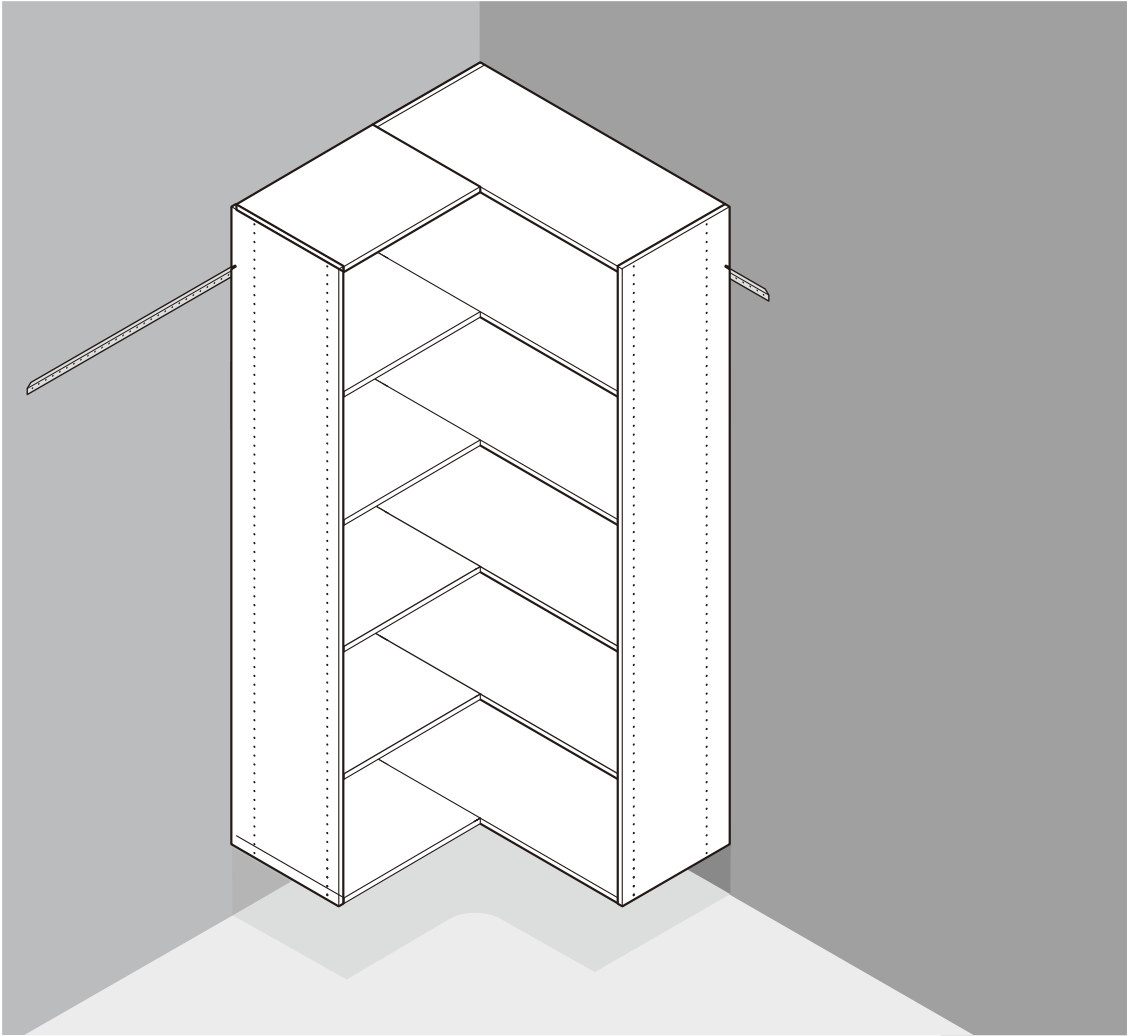


Corner Shelf Installation Guide


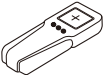
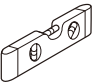
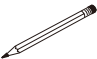
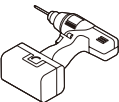

Hardware List

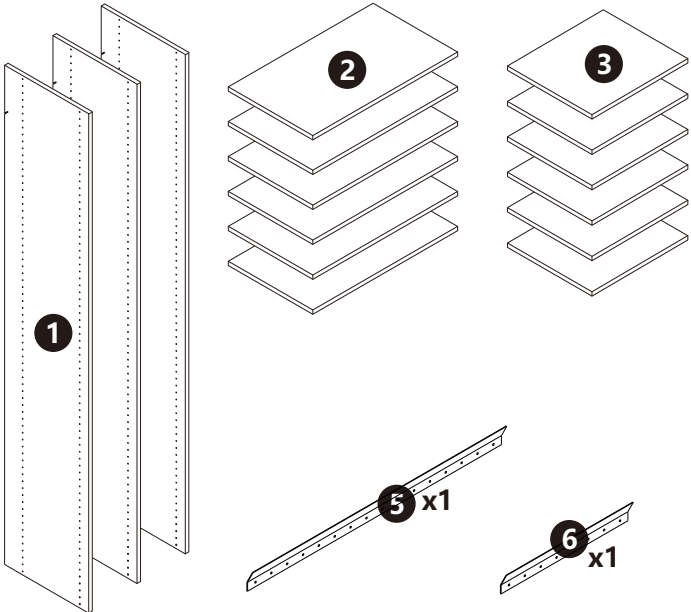
- | | | | |
|---|---|---|---|
|  |  |  | |
| x12 | x12 | x12 | |
|  |  |  | |
| x18 | x18 | x2 | |
|  |  |  |  |
| x2 | x10 | x10 | x3 |



LOOK INSIDE

The tool you need

-  TAPE MEASURE
-  STUD FINDER
-  LEVEL
-  PENCIL
-  POWER DRILL, NO.2 PHILLIPS, 1/8" & 1/2" DRILL BITS
-  HACK SAW

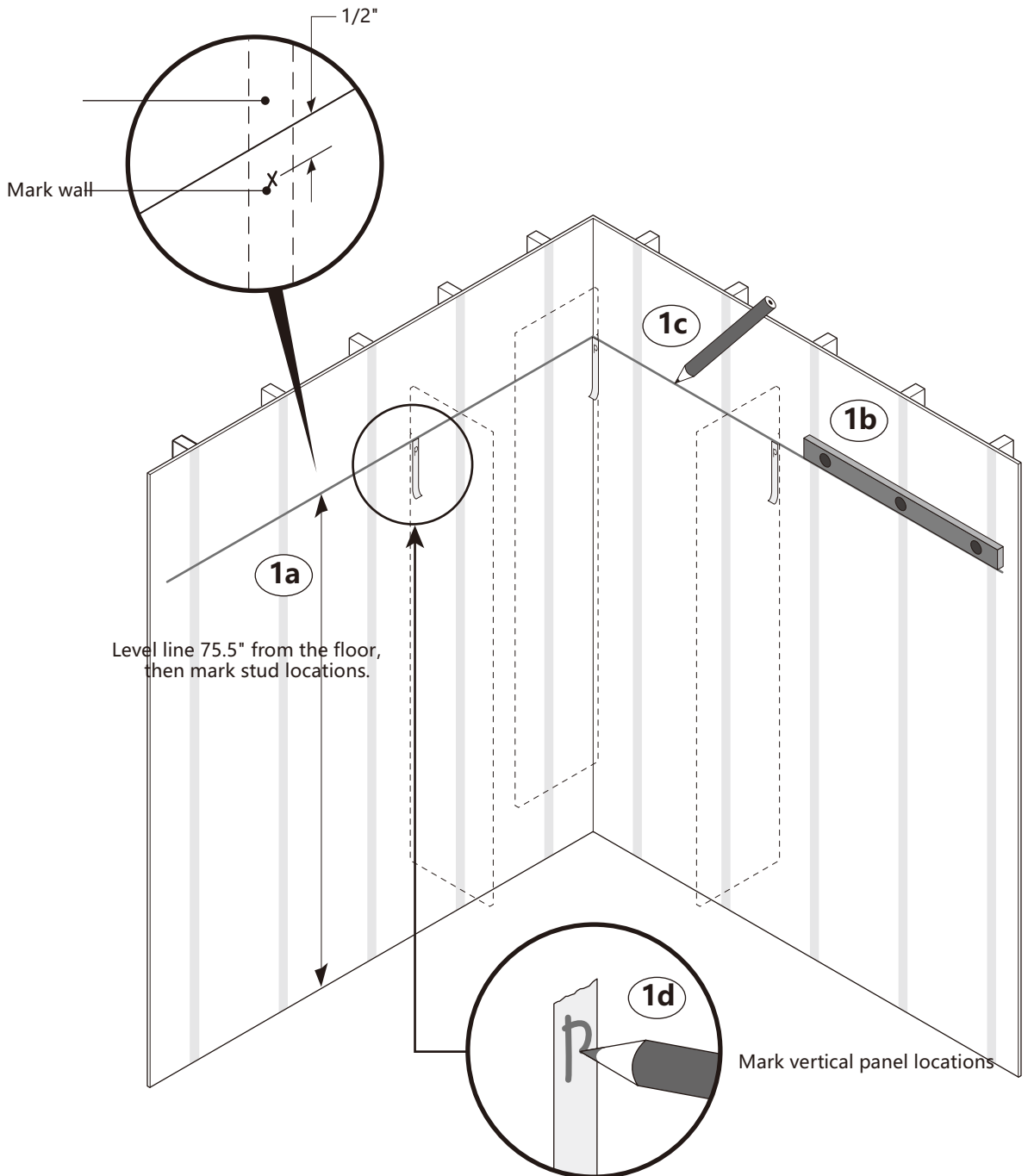


1

Attach rail. Measure desired height at the corner of both walls. 75.5" above the floor is recommended. The track height can be adjusted depending on the individual needs. Using a level, draw a straight line on each wall out from the corner.

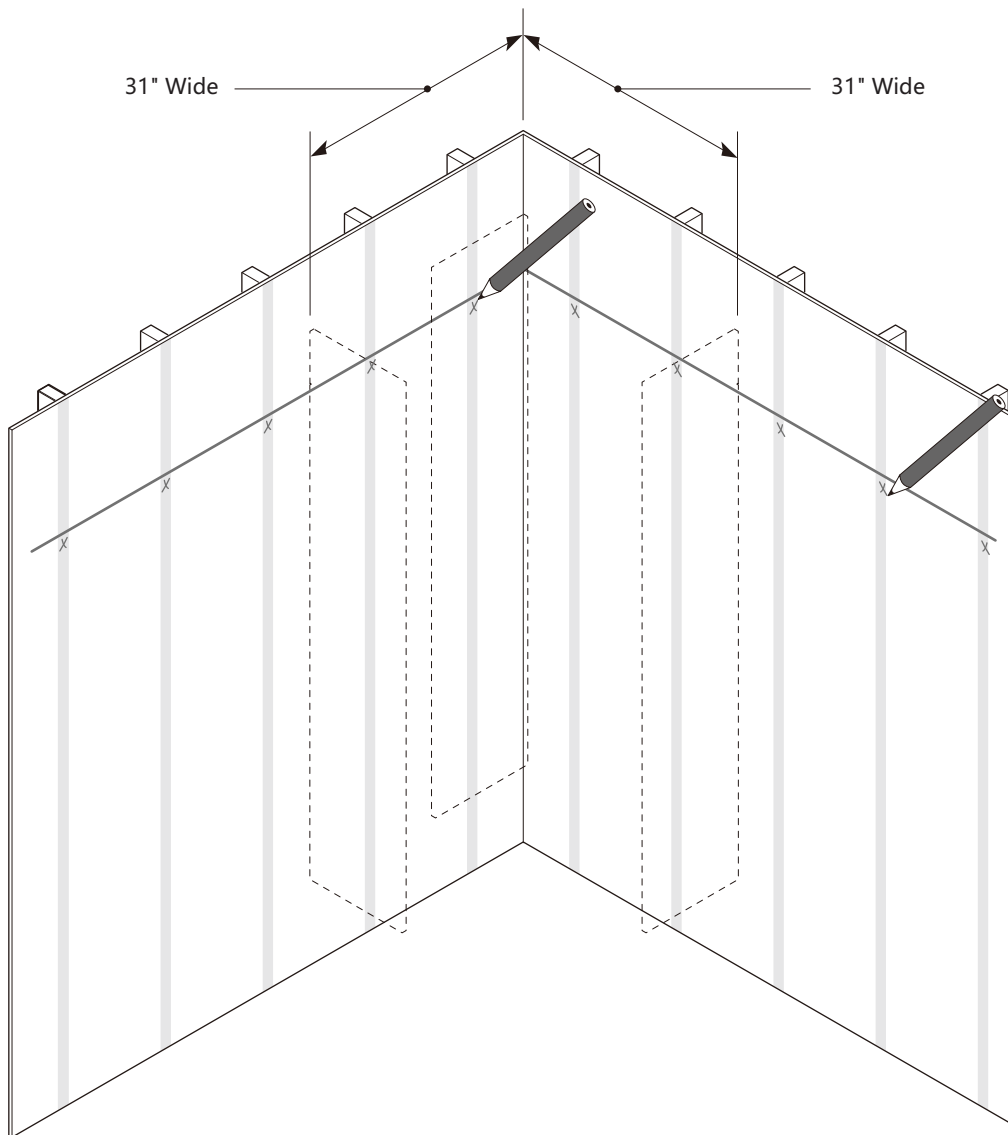
TIP

Mounting rail 75.5" from the floor will put the top of vertical panels 84" above floor.

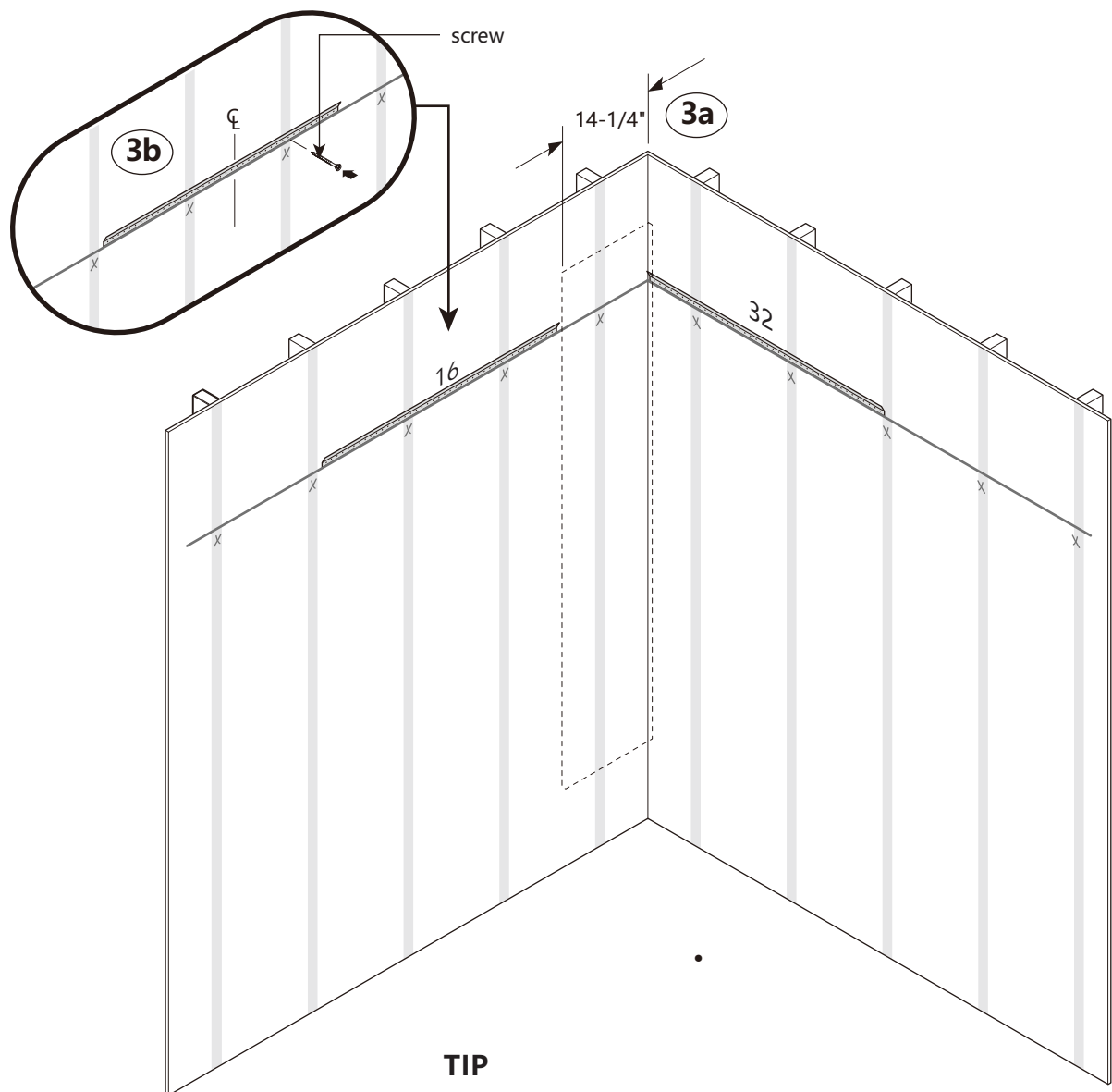


2 Locate studs. Tap the wall or use an electronic stud finder to locate studs. Mark wall 1/2" below horizontal line. Studs (2 x 4) are usually located on 16" centers measured from the left or right side.

Lay out the closet design to determine approximately where vertical panels will be located. Corner units are 31" wide. Mark locations on wall below horizontal line.

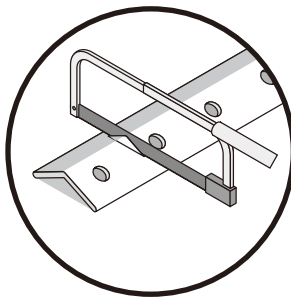


- 3** Attach rail. The right rail goes into the corner.
The left rail goes 14-1/4" from the corner to allow for the vertical (3a). Make sure the bottom of rail lines up with the hang line and screw into the stud that's nearest to the center of the rail (3b).



TIP

If desired, the rail can be cut down to a suggested 18" minimum.



4

For holes marked as studs, drill pilot holes with a 1-8" drill bit at holes marked for studs. Attach the track to wall using screws. If a toggle is needed, use a 1/2" drill bit to drill the hole.

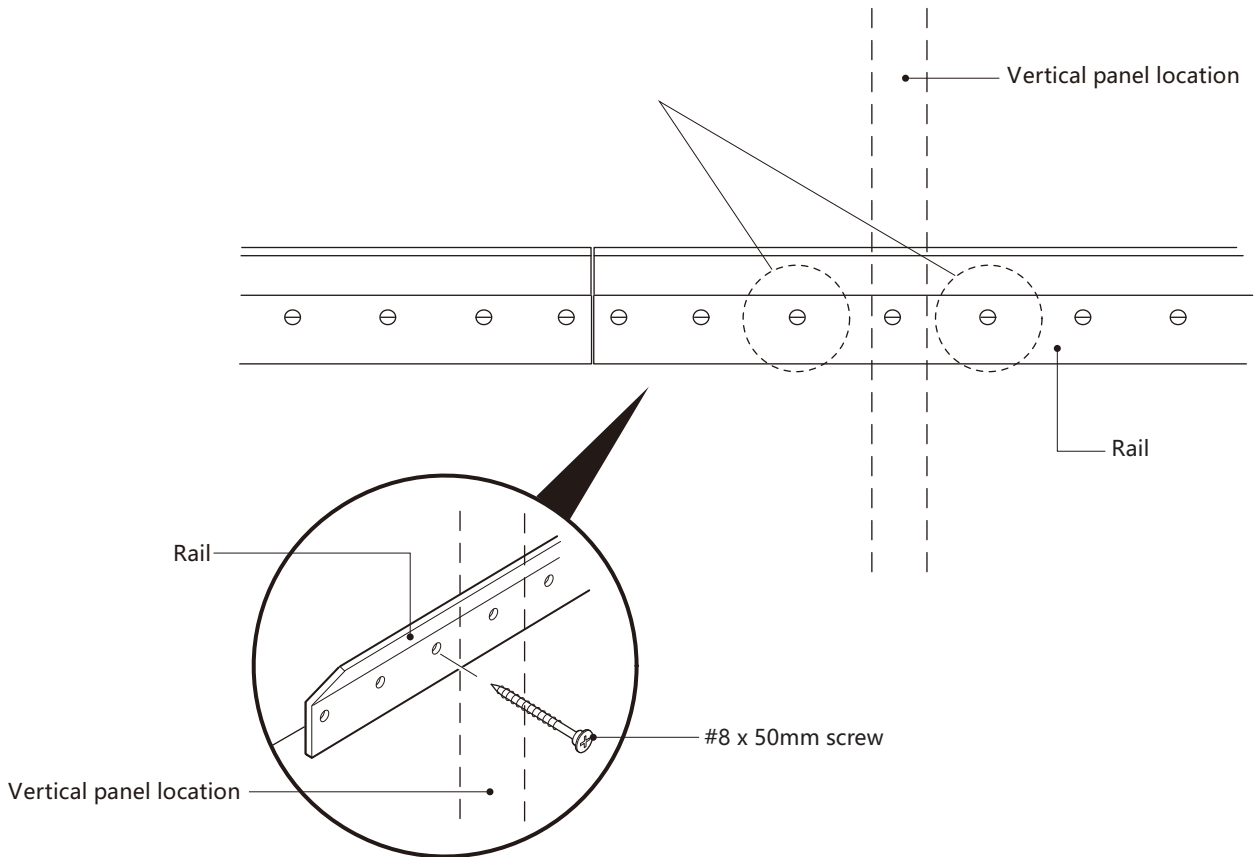
IMPORTANT

Use toggle bolts if vertical panels are not within 3" of a stud. Determine the location of the toggle bolts by holding the rail over the horizontal line. Mark hole locations near the vertical panels. Keep rail level. Any toggle bolts must be installed prior to attaching rail to wall.

Do not leave end of rail unsupported. It must be attached to wall.

For wall types other than drywall: Use a suitable wall anchor available from your local hardware store.

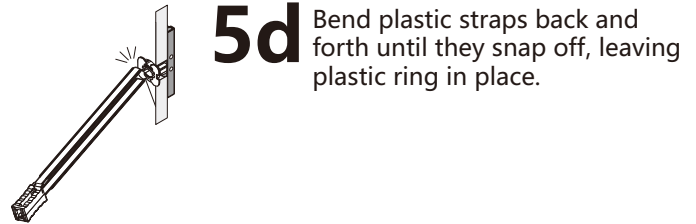
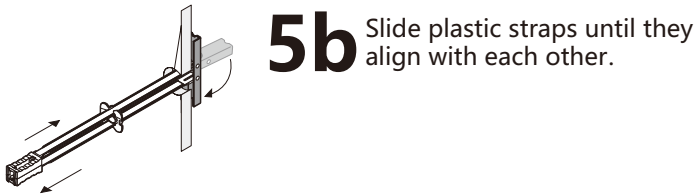
Do not use holes directly behind a vertical panel. Mark holes around vertical for stud or toggle bolt.



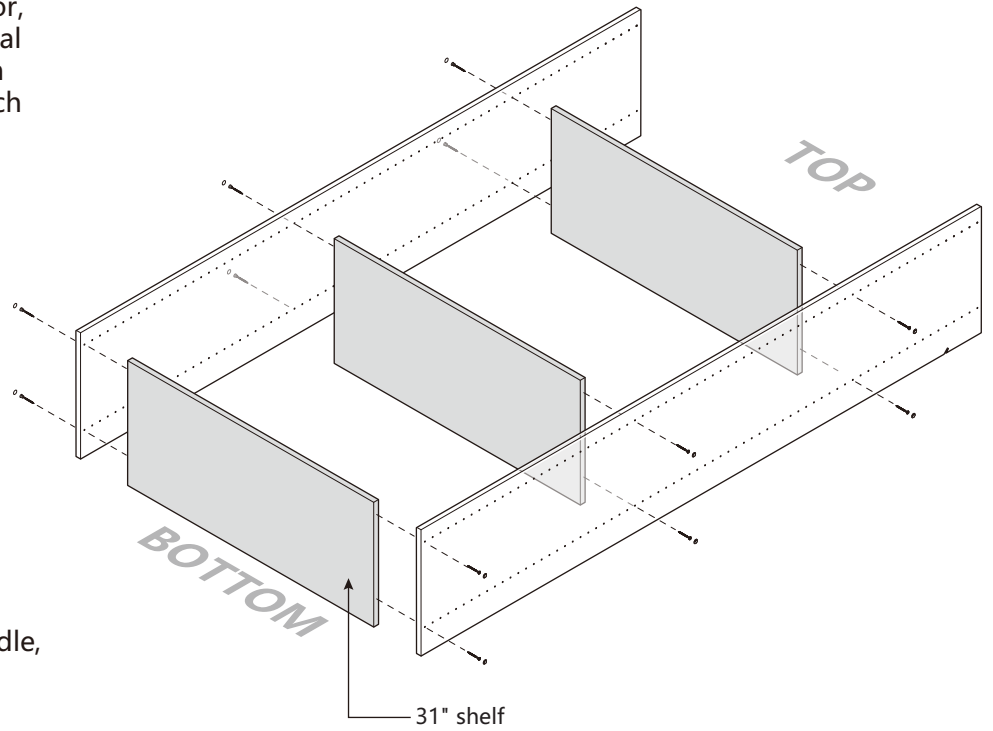
#8 x50mmscrew



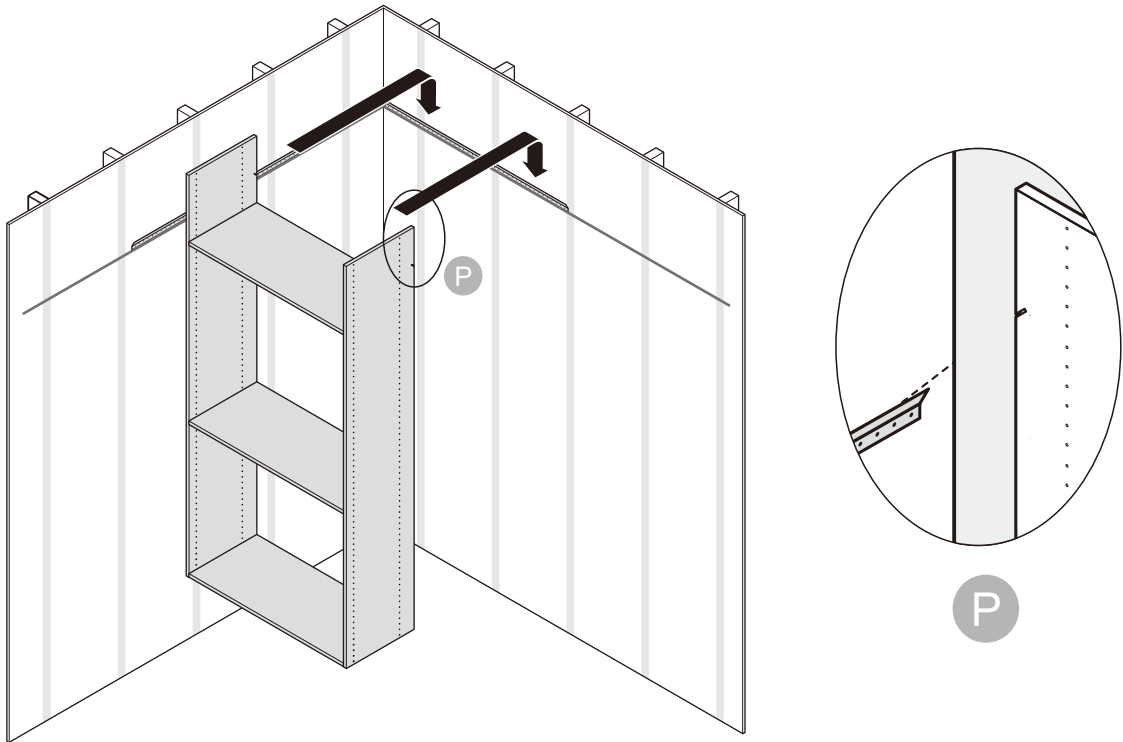
5 Install toggle channels.



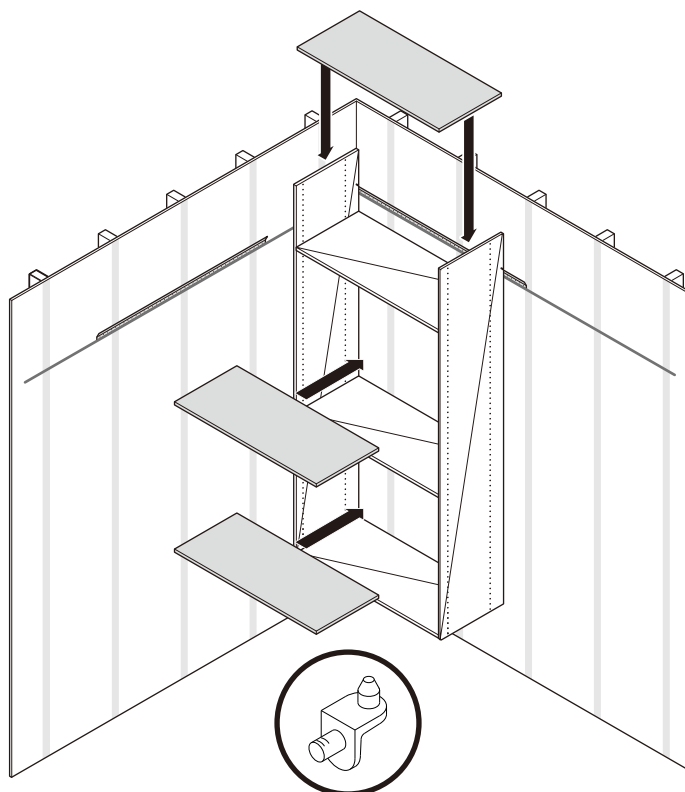
6 Install shelves where needed. To create the tower unit on the floor, attach three (3) shelves to vertical panels using four (4) #8 x 50mm screws per shelf. If desired, attach screw covers onto screw heads.



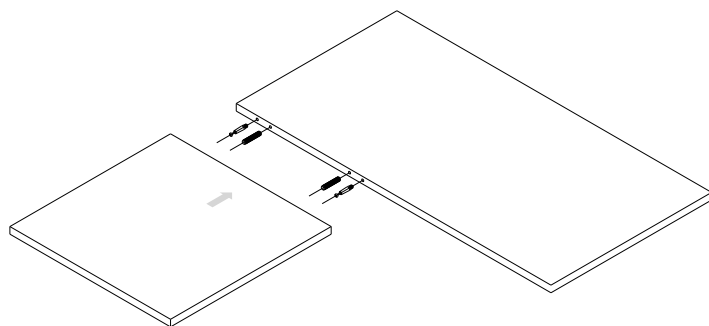
7 Hang tower unit in marked position.



8 Install remaining shelves using four (4) shelf pins per shelf.

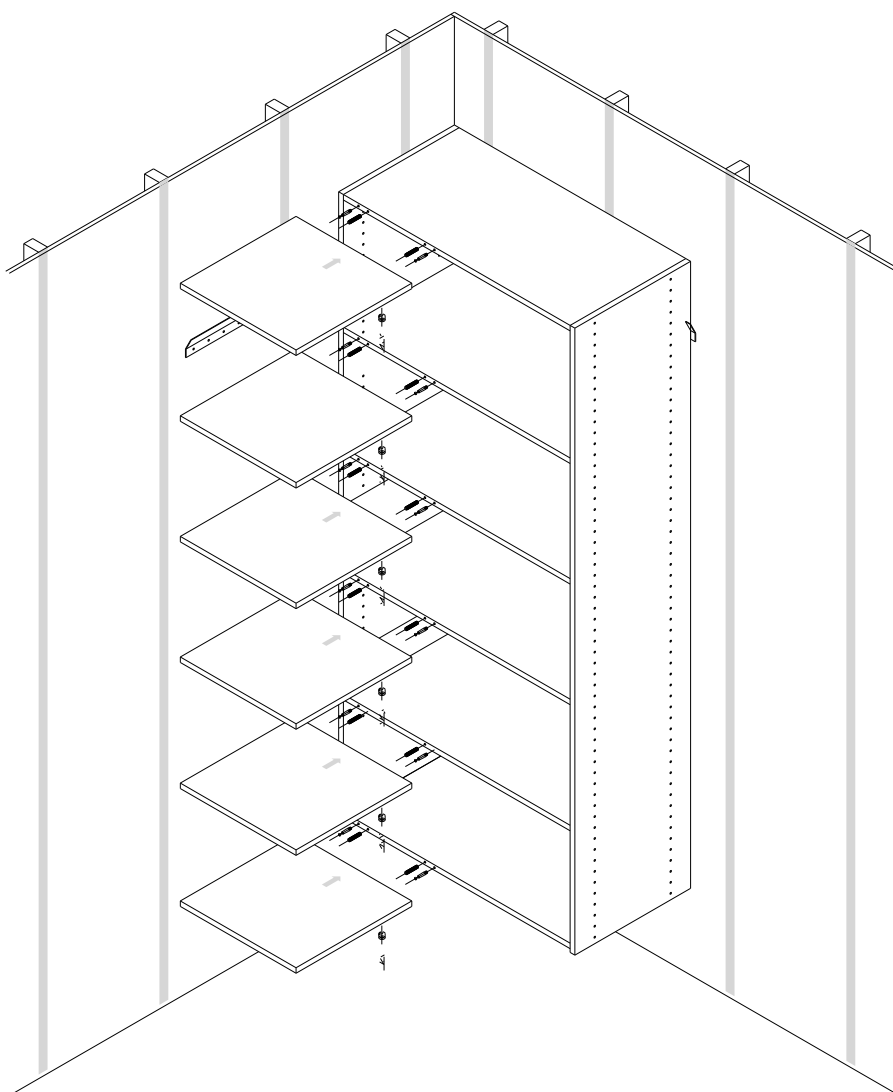


9 Attach the two panels

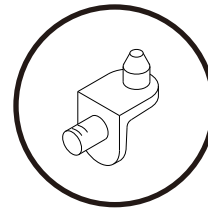
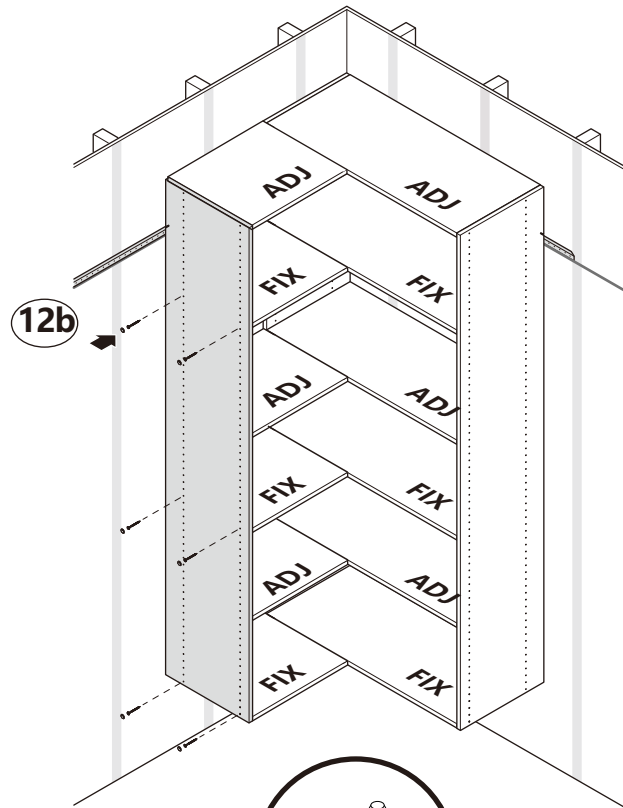
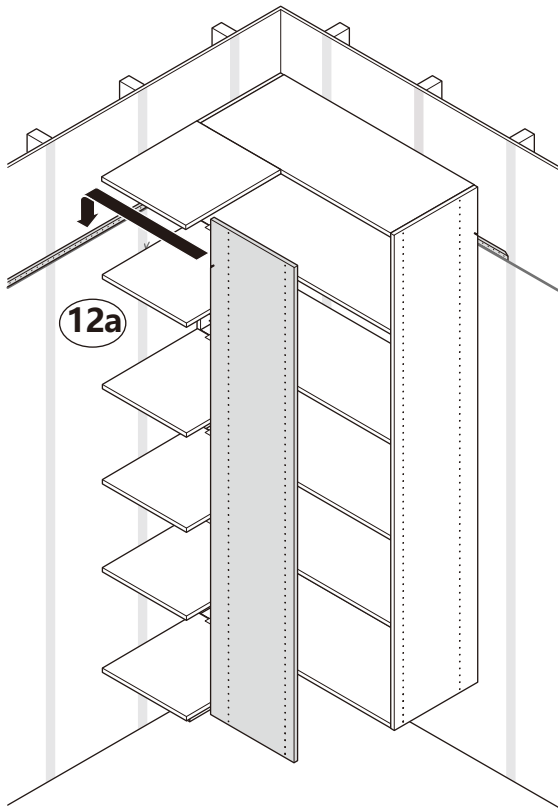


10 Attach the 16" shelves with wood pins and screws to the 31" shelves.

The 16" shelves should be flush to the wall.

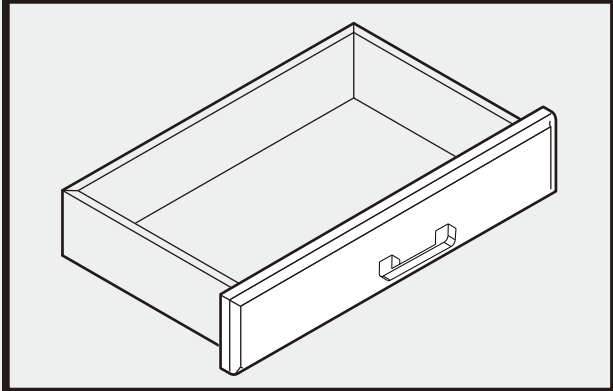


11 Place the 3rd vertical onto the rail next to the 16" shelves (12a). For fixed shelves use screws for the adjustable shelves use the shelf pins (12b). Make sure the shelves are level.

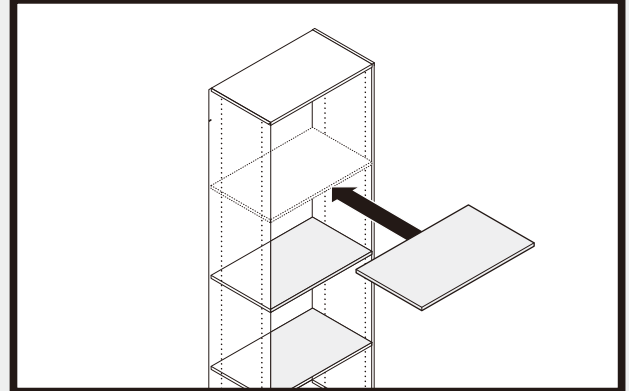


Upgrade your closets with more options

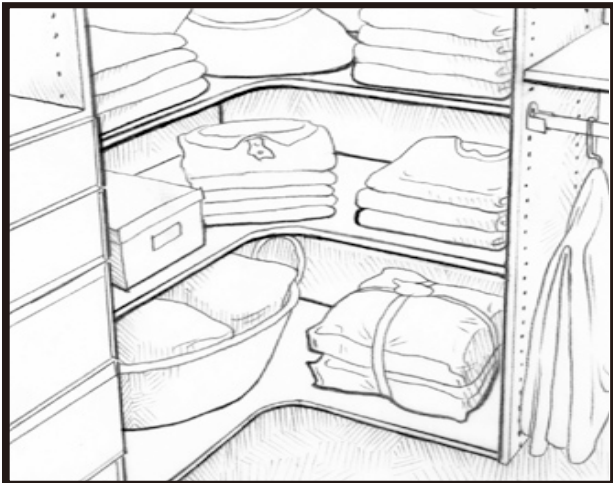
You can shop the following items from our shop to better fit your needs



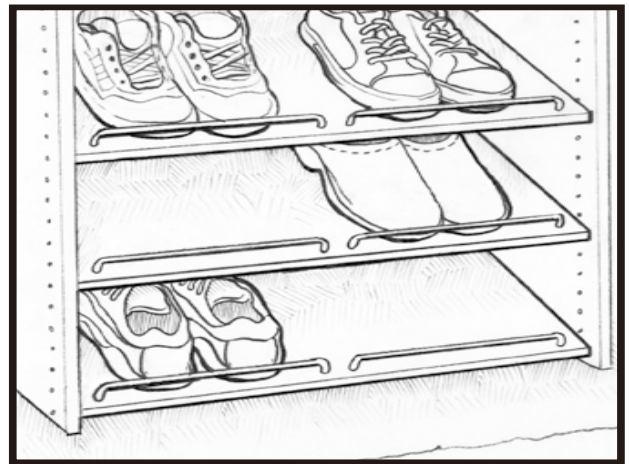
Sets of drawers



Sets of partition



corner shelves



shoe shelves

More to come !