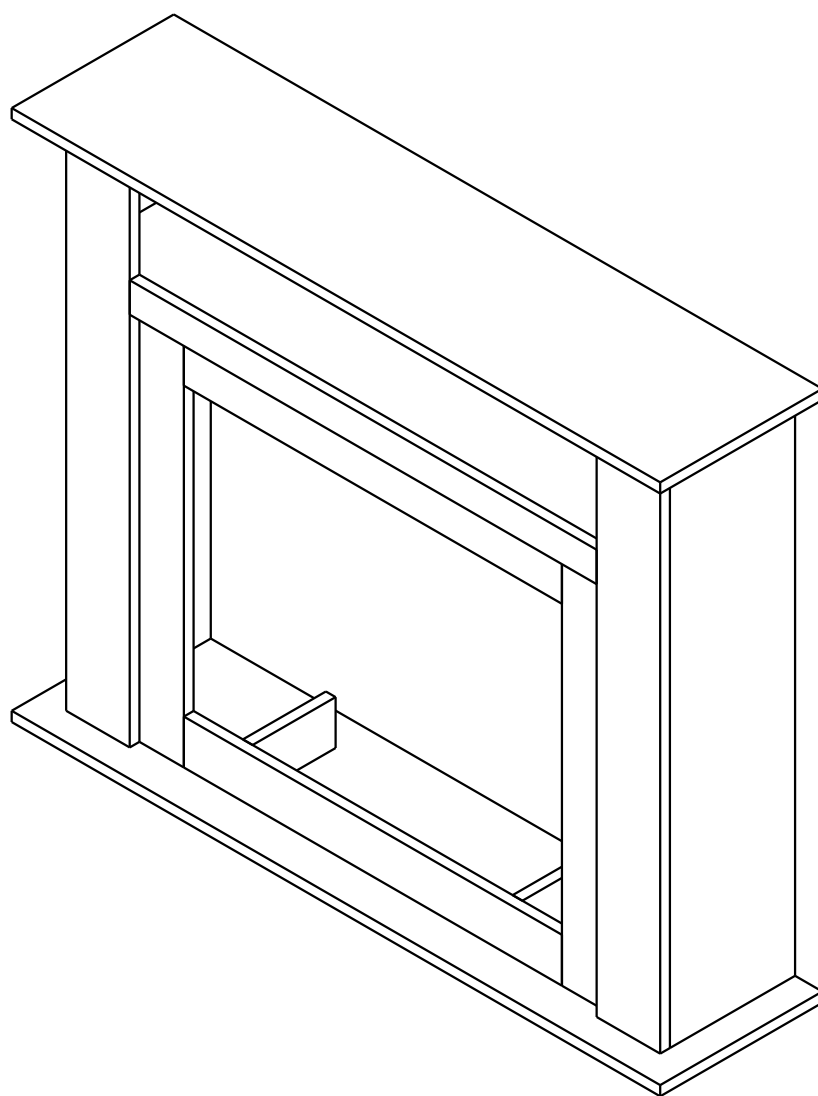


FIREPLACE MANTEL

ASSEMBLY INSTRUCTIONS

MT447C

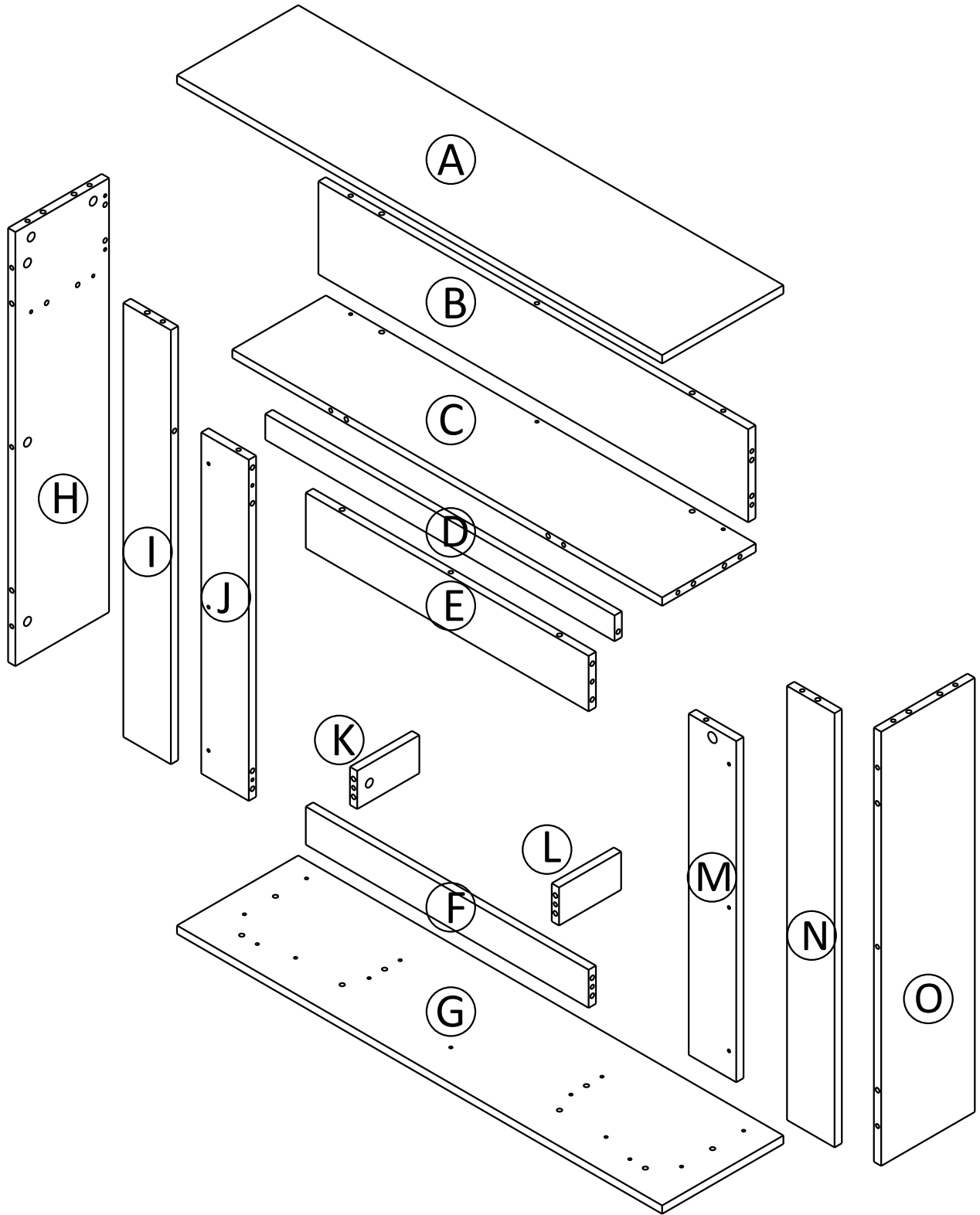


If you have a problem with this product, **DO NOT RETURN.**

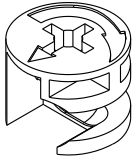
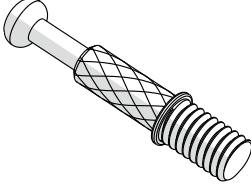
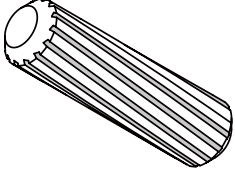
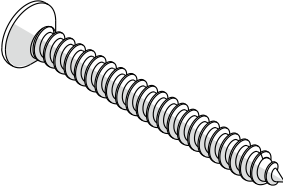
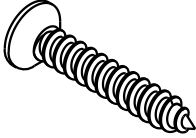

Call our customer service ,Tel: 01785 719005, or

E-mail: customerservice@moddelo.co.uk

PARTS LIST

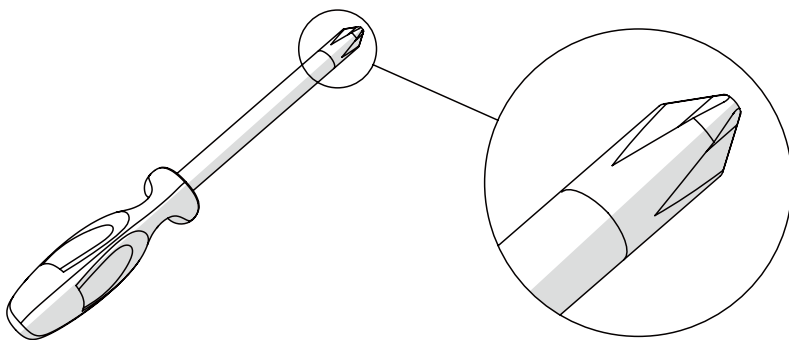


ACCESSORIES

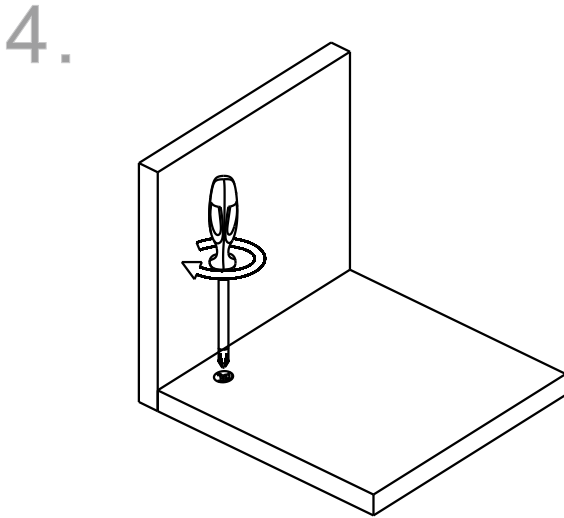
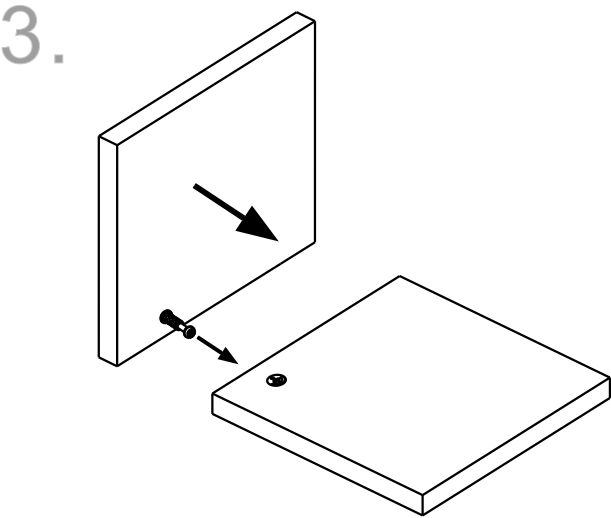
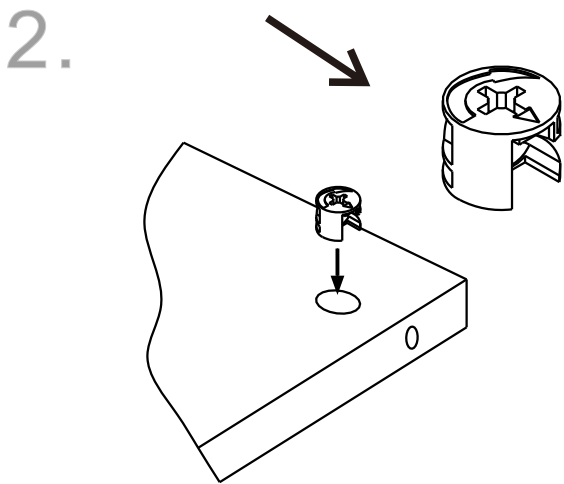
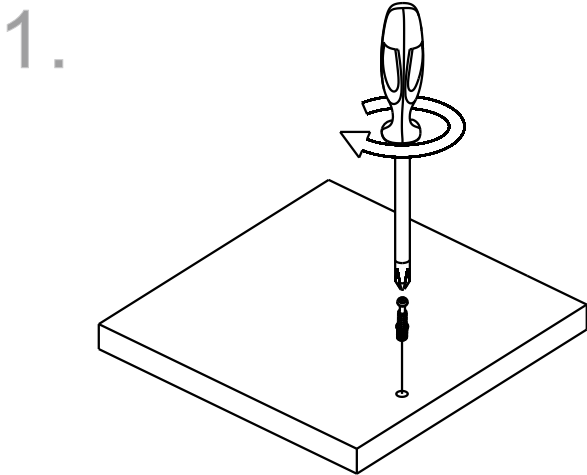
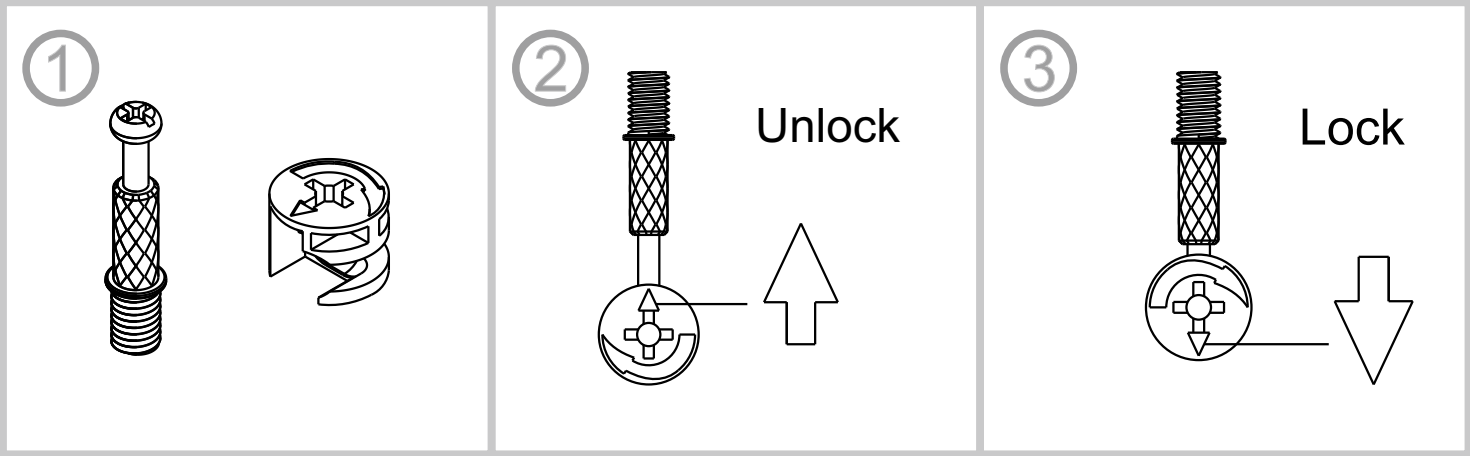
 cam lock x37+1	 cam bolt x37+1	 wood dowel x48+2
 screw ST4x40 x13+1	 screw ST4x25 x6+1	 pad x4+2

TOOLS REQUIRED

A screwdriver will be needed



CAM LOCK FASTENING SYSTEM

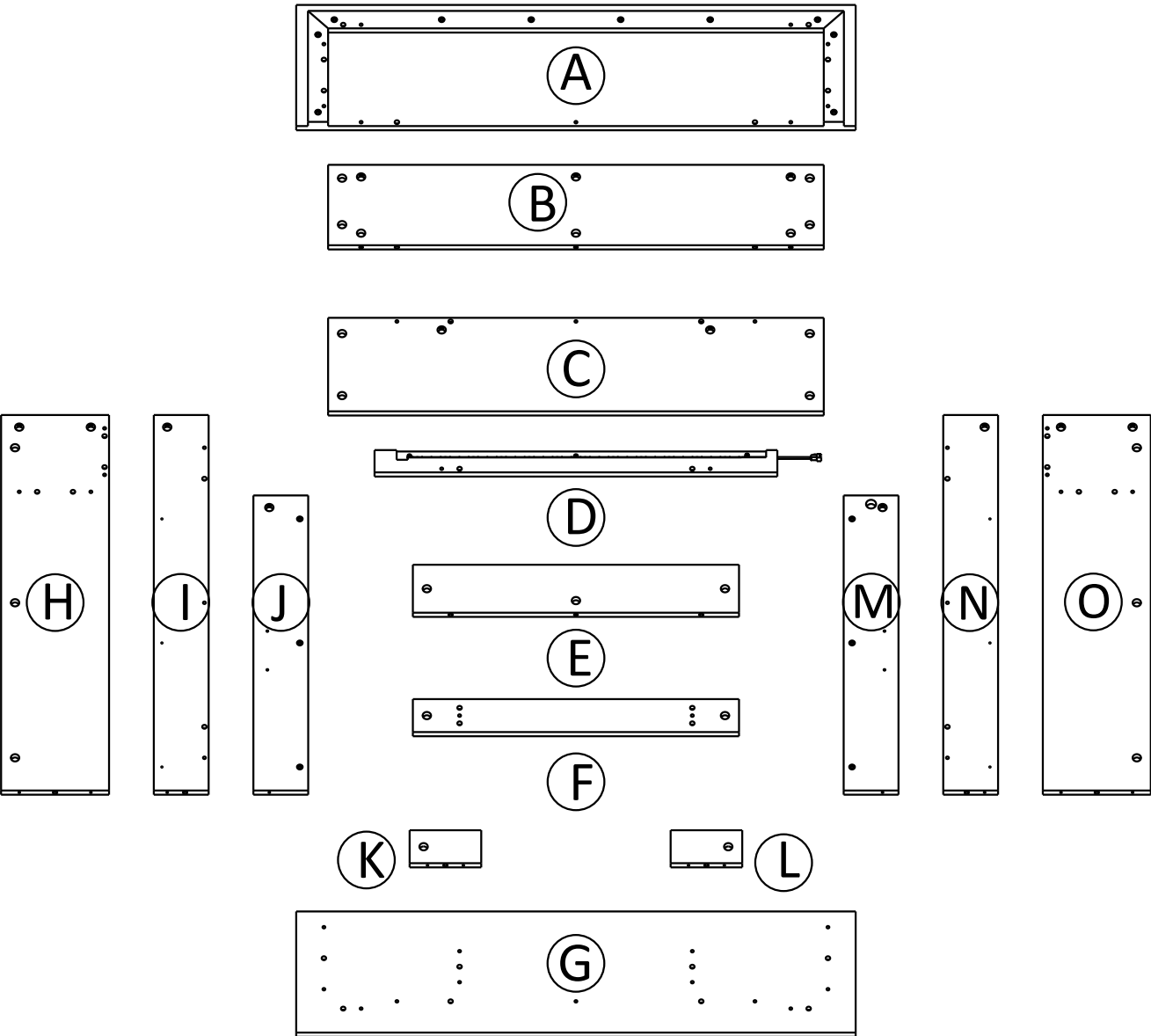


This cam lock fastening system will be used throughout the assembly process.

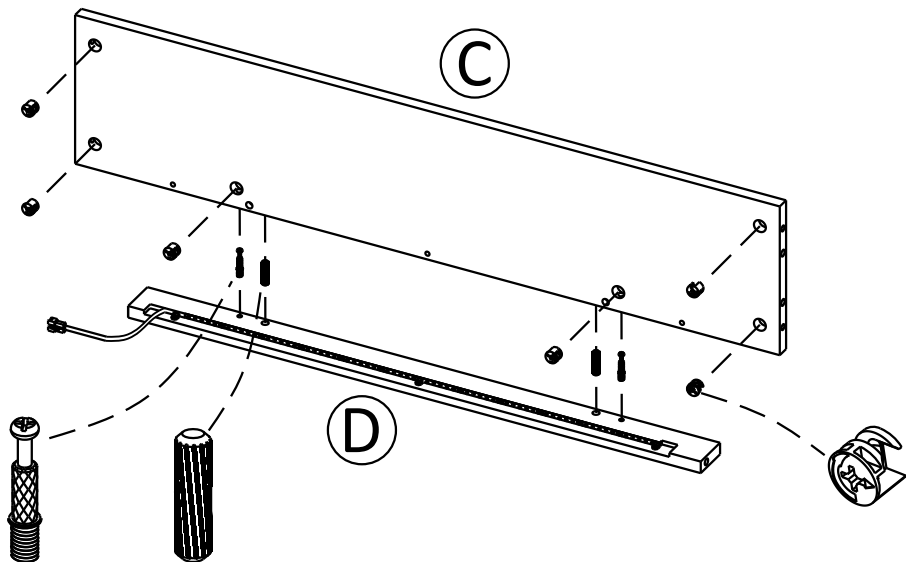
ASSEMBLY INSTRUCTIONS

STEP 1

Take out all the parts, as shown on the floor. Please pay attention to protect the board surface.



STEP 2

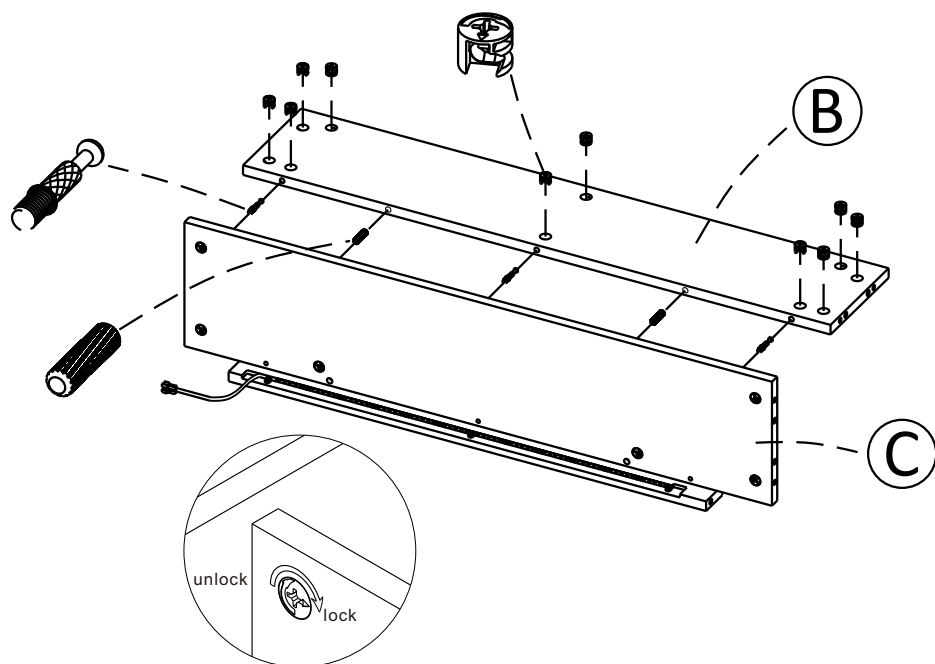


cam bolt **x2**

wood dowel **x2**

cam lock **x6**

STEP 3

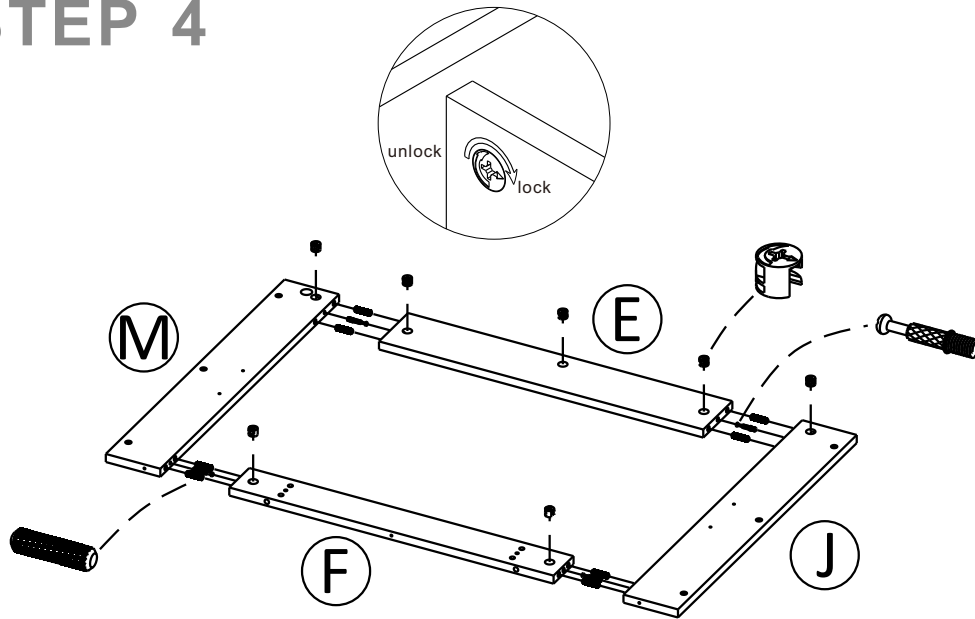


cam bolt **x3**

wood dowel **x2**

cam lock **x10**

STEP 4

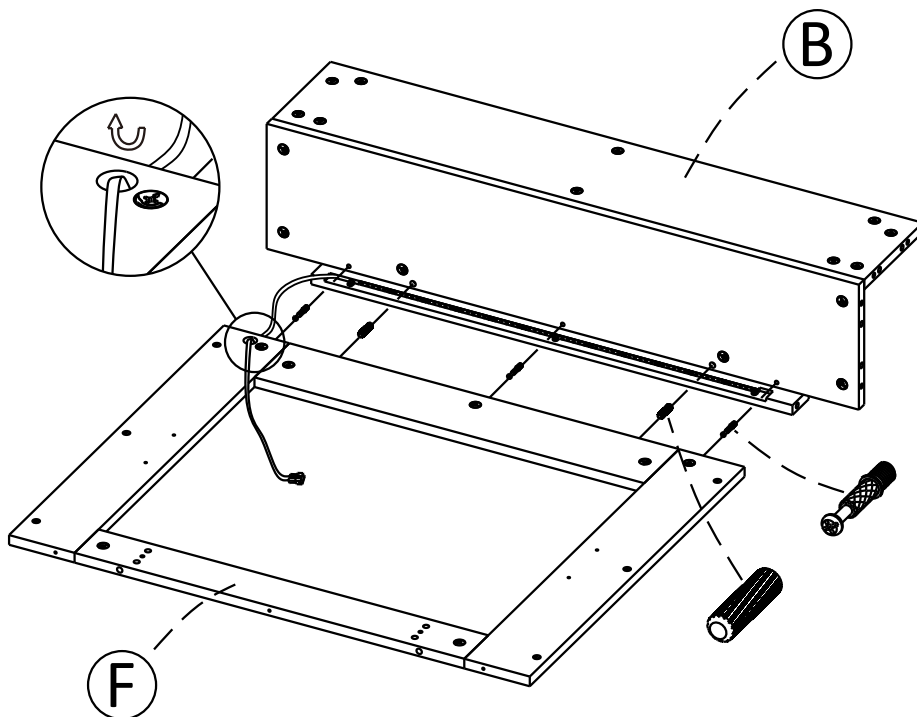


cam bolt **x4**

wood dowel **x8**

cam lock **x7**

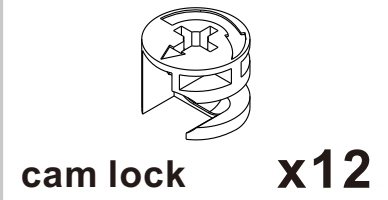
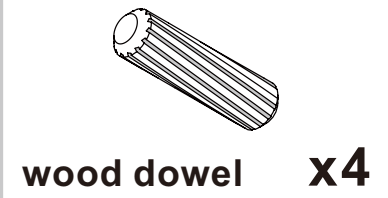
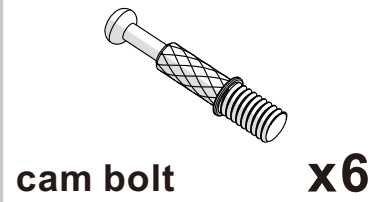
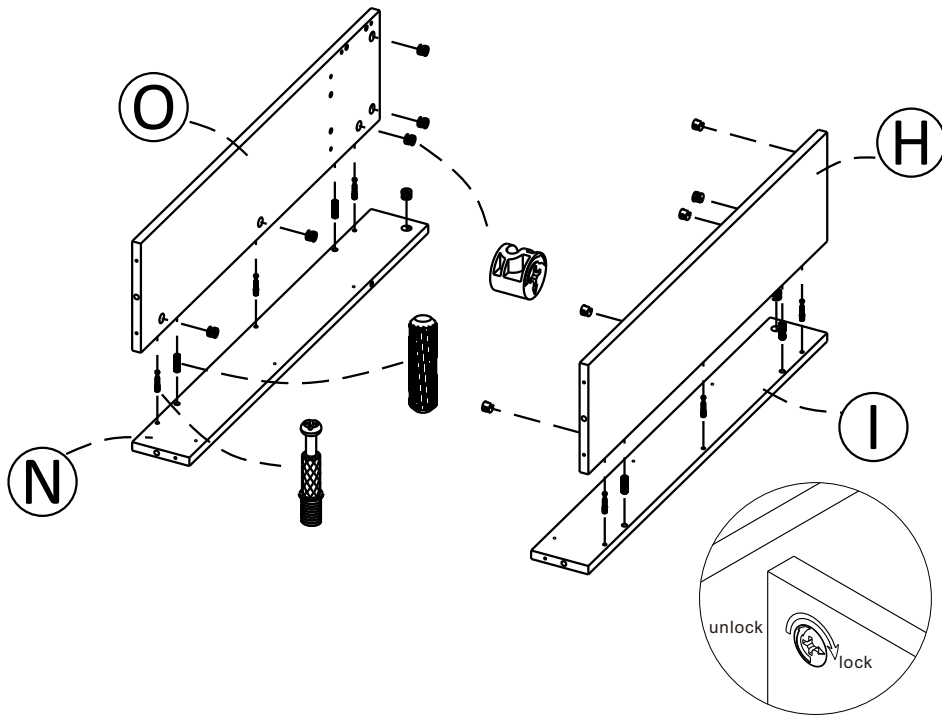
STEP 5



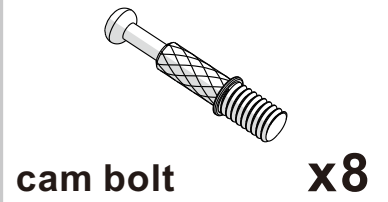
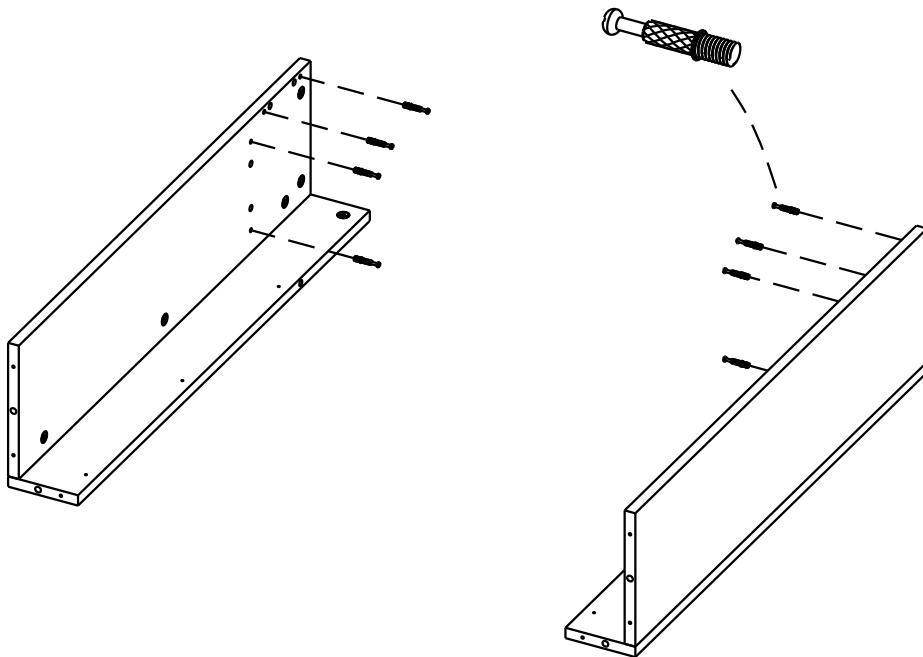
cam bolt **x3**

wood dowel **x2**

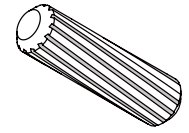
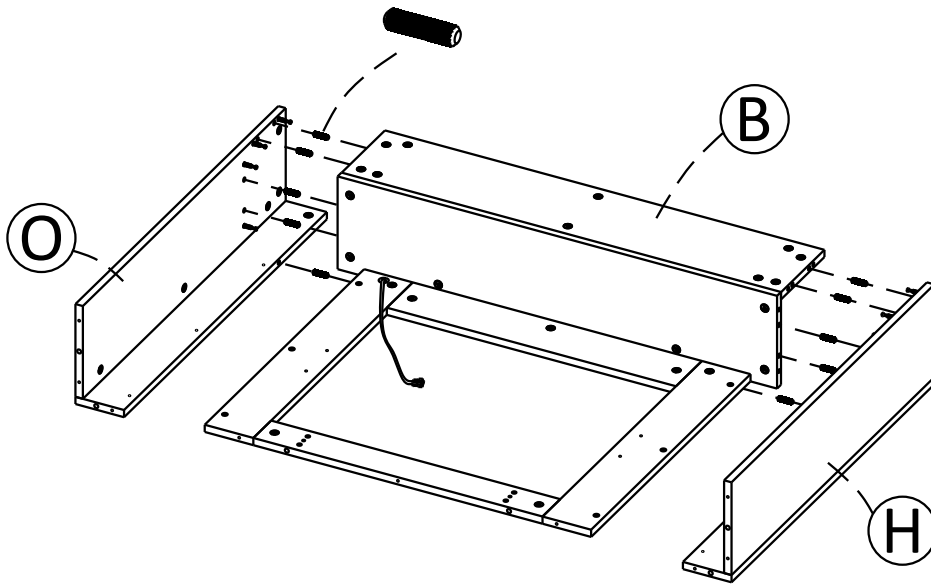
STEP 6



STEP 7

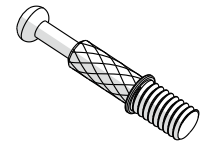
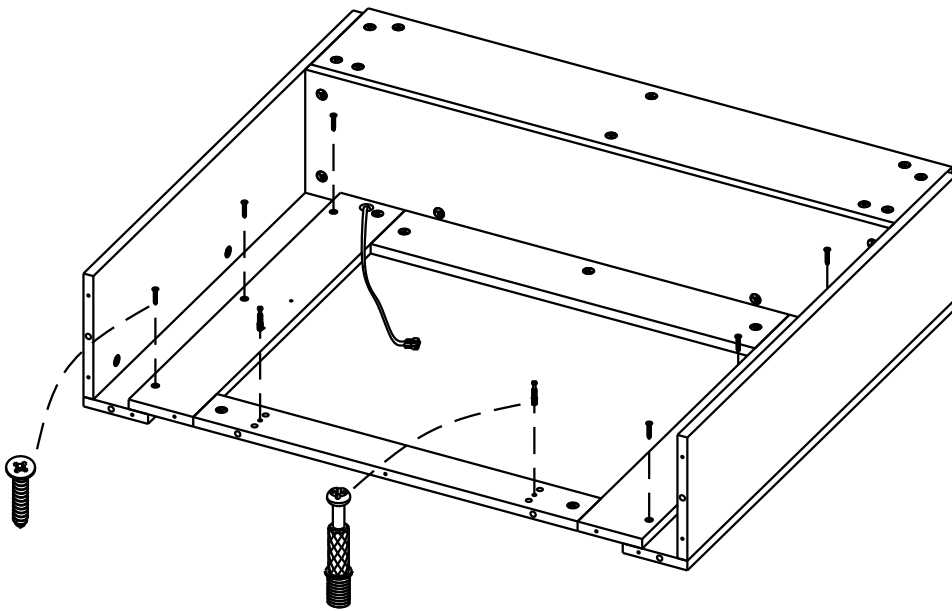


STEP 8

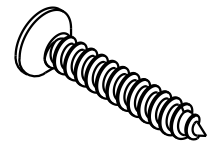


wood dowel x10

STEP 9

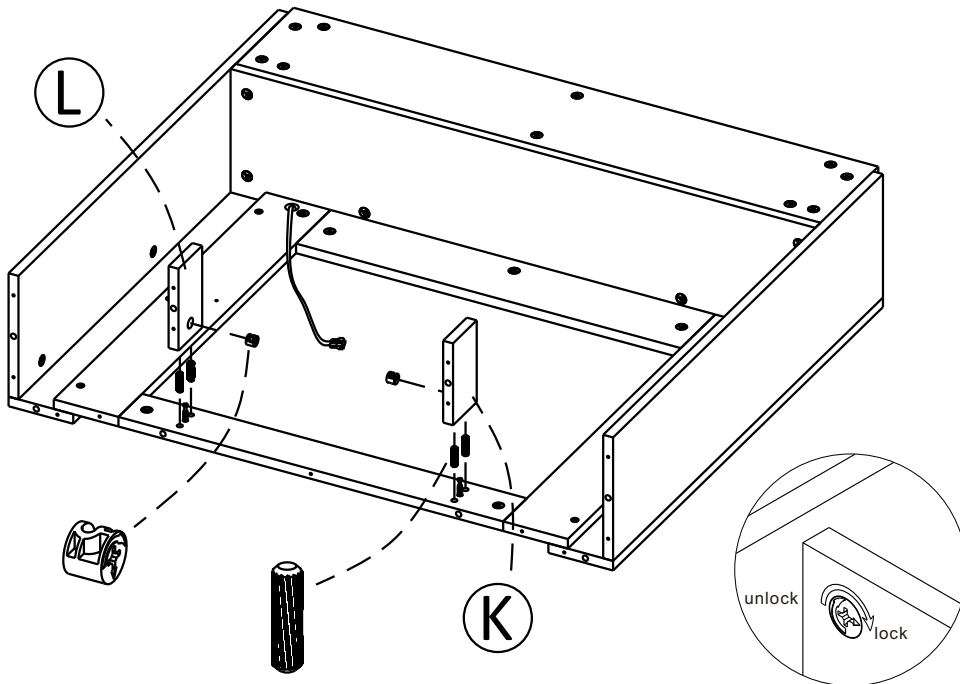


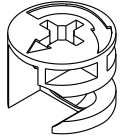
cam bolt x2



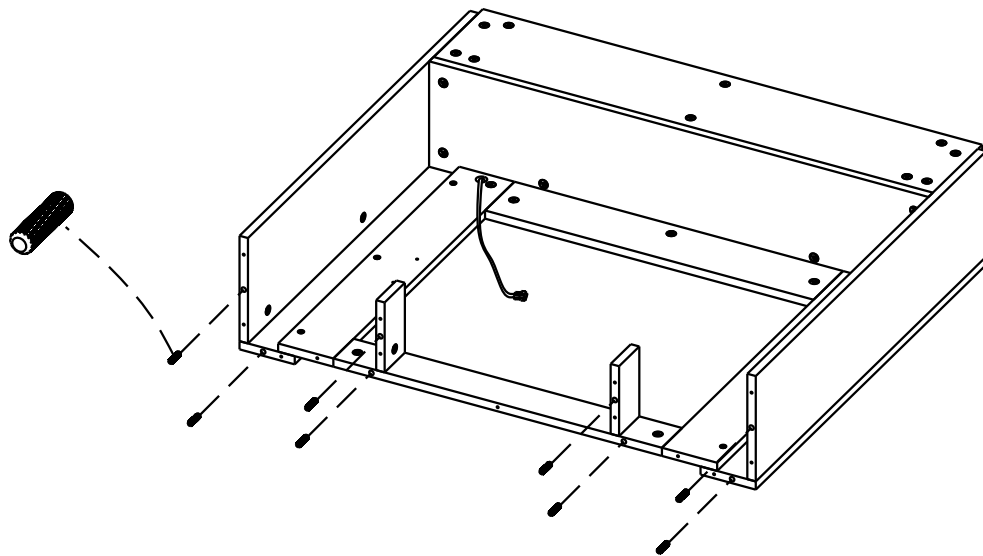
ST4*25 screw x6

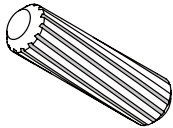
STEP 10



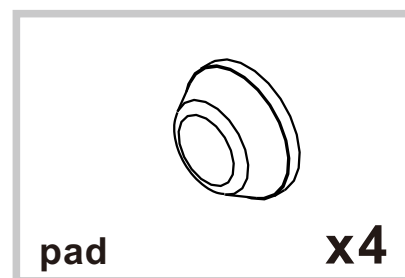
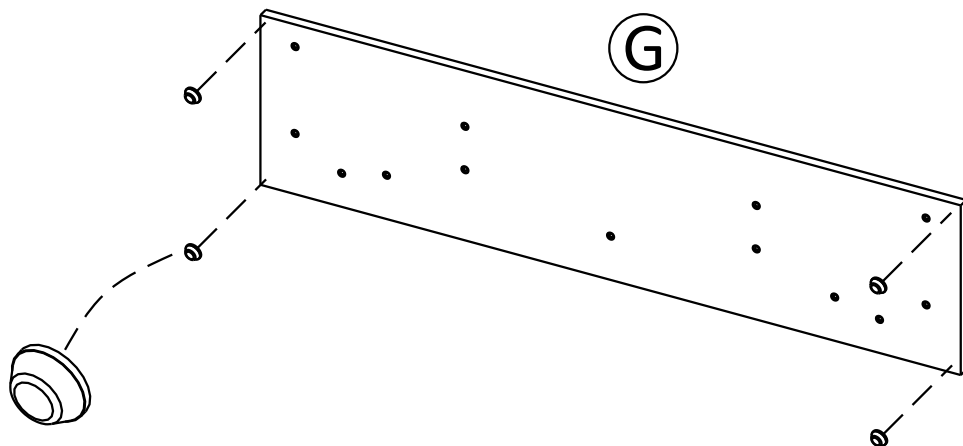
-  wood dowel x4
-  cam lock x2

STEP 11

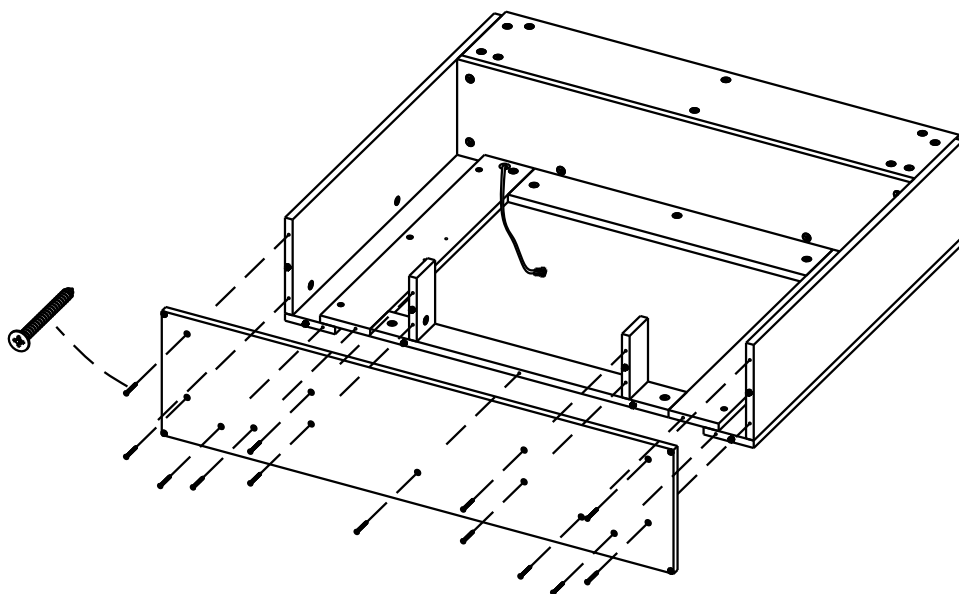


-  wood dowel x8

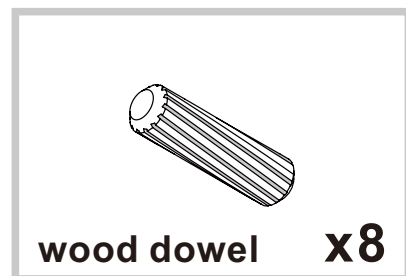
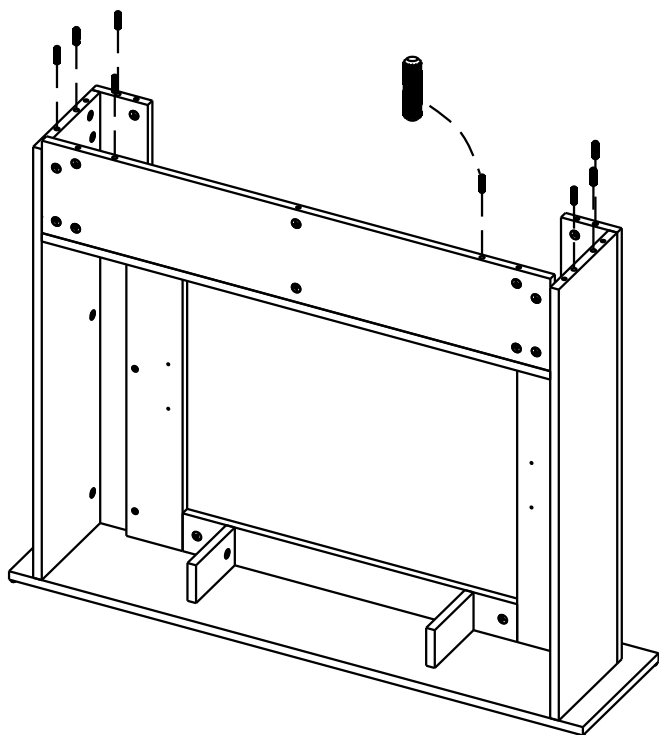
STEP 12



STEP 13

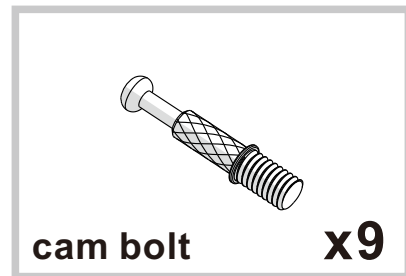
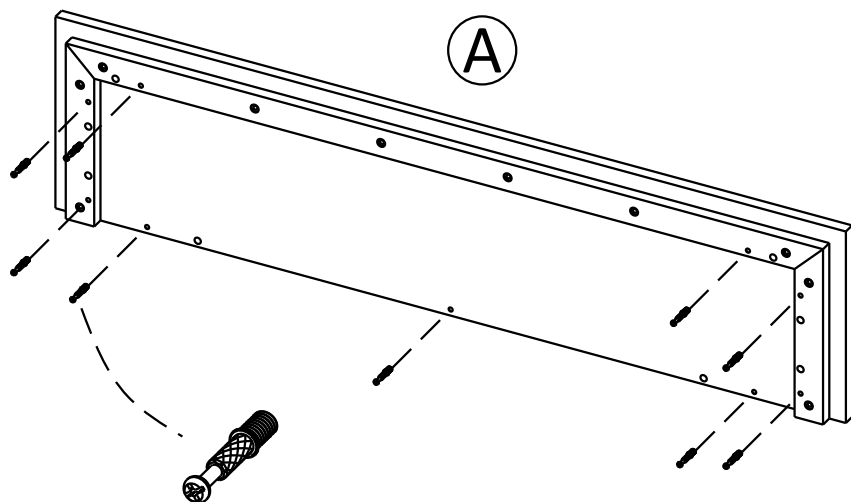


STEP 14



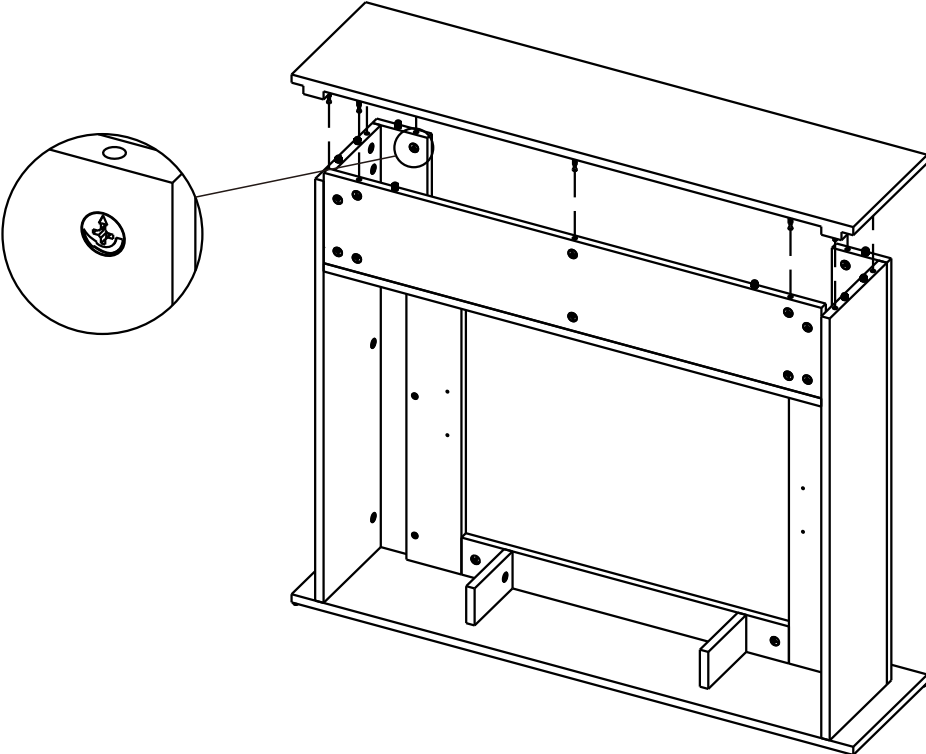
wood dowel x8

STEP 15

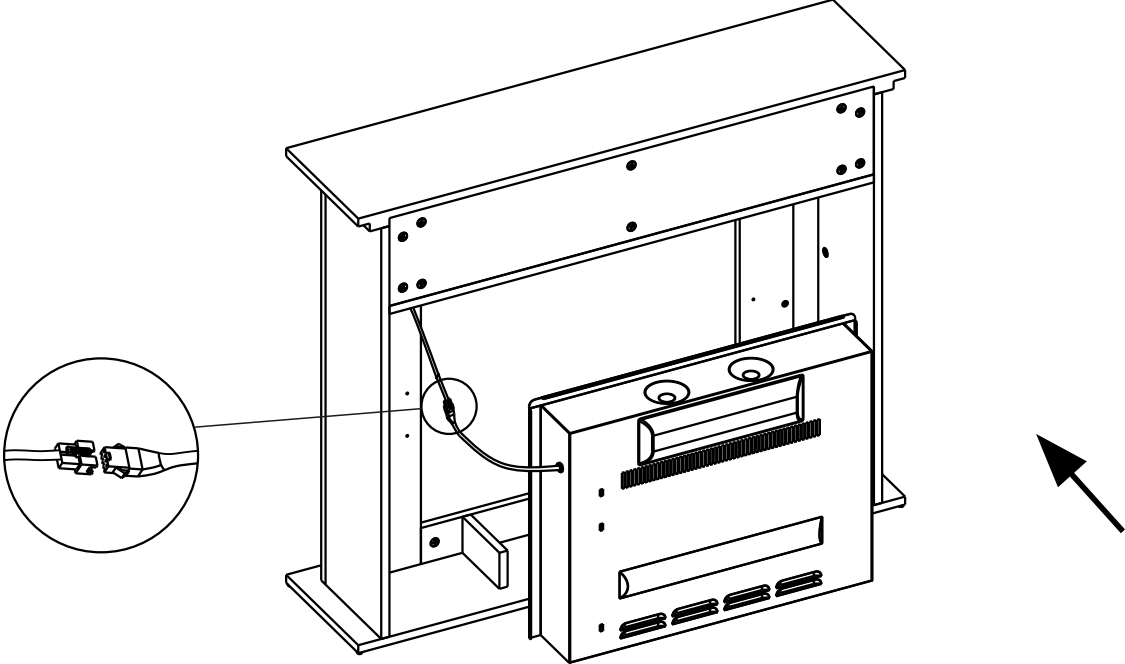


cam bolt x9

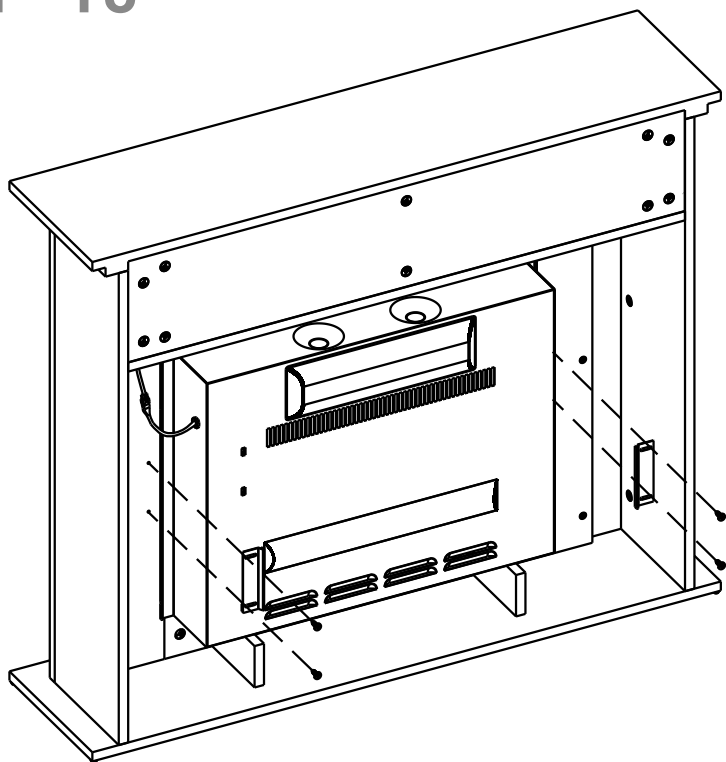
STEP 16



STEP 17

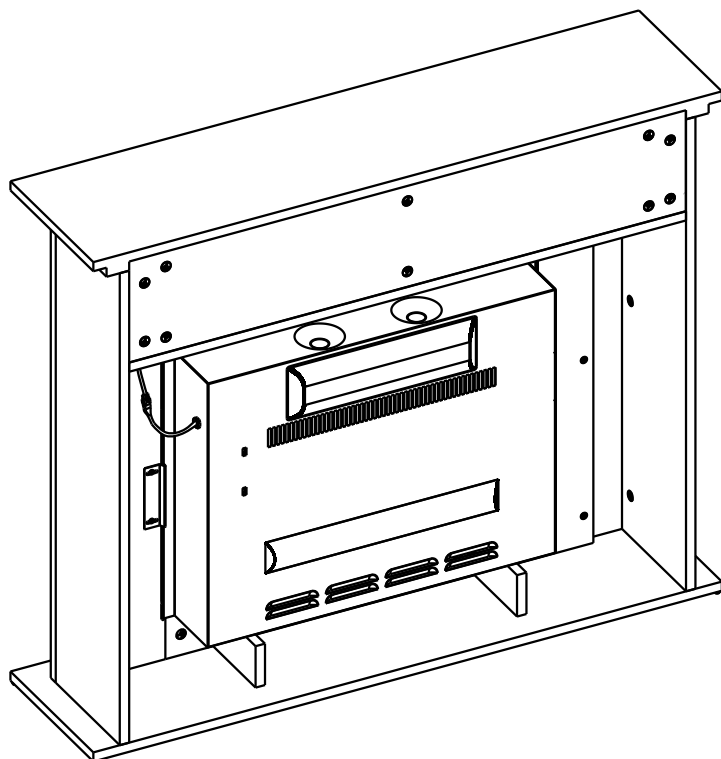


STEP 18



Fix the fireplace to the mantel with two brackets and four ST3.5x12mm screws packed with the firebox.

STEP 19



Distributor: Modelo Ltd
Unit 6A-6E,
Airfield Industrial Estate,
Hixon,Staffordshire,ST18 0PF

Tel: 01785 719005

Email: customerservice@modelo.co.uk