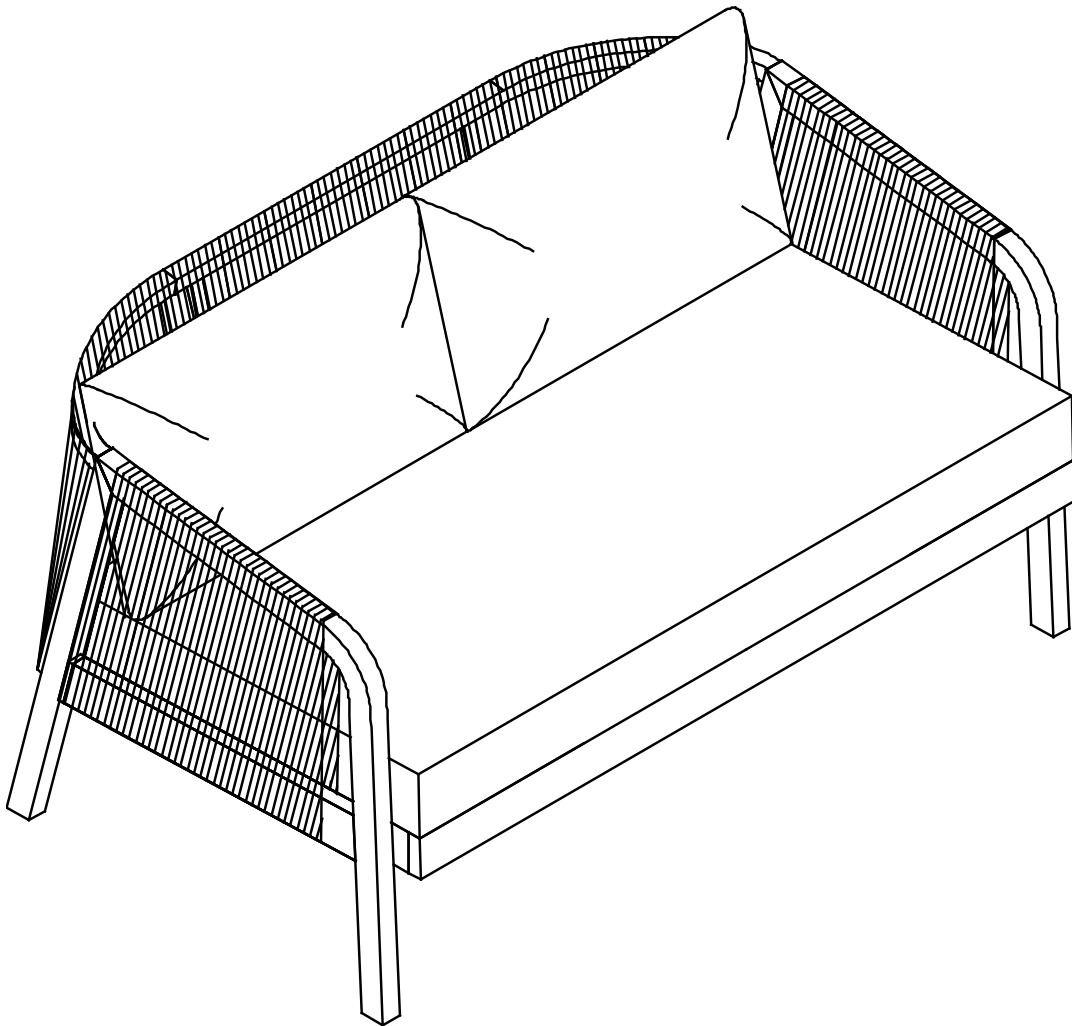


Assembly Instructions

CAUTION: You must read this **Assembly Instructions** before you proceed.

Please look in the **Seat Panel** for hardware packs.

Loveseat

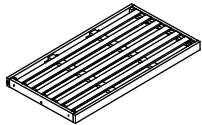


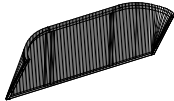
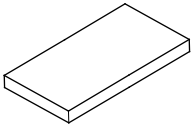
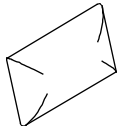


CAUTION: This Loveseat is NOT a TOY.



Keep your child / children at bay during the assembly process.

Whenever lifting or moving the Loveseat and to prevent any damage to it, two adults may be needed to execute these actions.

Part List

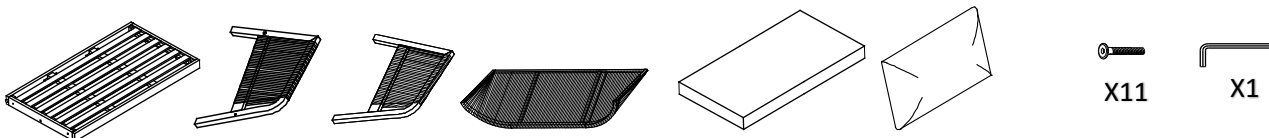
Label	Picture	Description	QTY
K		Seat Panel	1
L		Right Leg Panel	1
M		Left Leg Panel	1
N		Backrest Panel	1
O		Seat Cushion	1
P		Back Cushion	2

Hardware

Label	Picture	Description	QTY
⑥		Bolt (M6x40mm)	11
⑦		Allen Wrench	1

Assembly Preparation

Before Beginning Assembly:



X11

X1



- Read instructions, cover to cover-



- Have 2 adults on hand for assembly-



- Do not assemble on flooring or carpet-



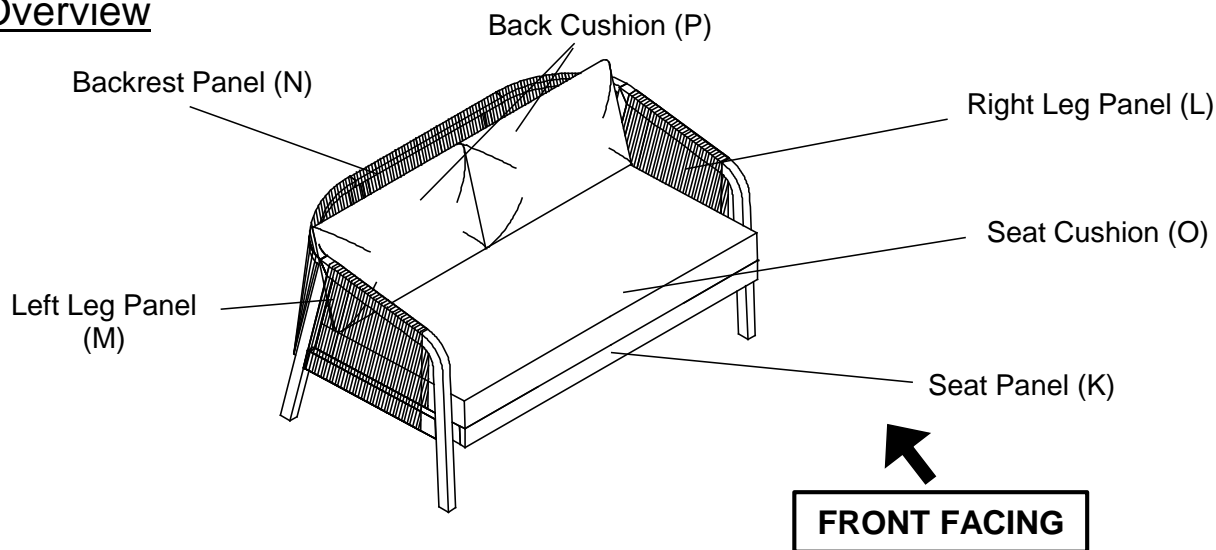
- Assemble on a clean non-marring surface (packing foam)-



- Save all packaging until finished-

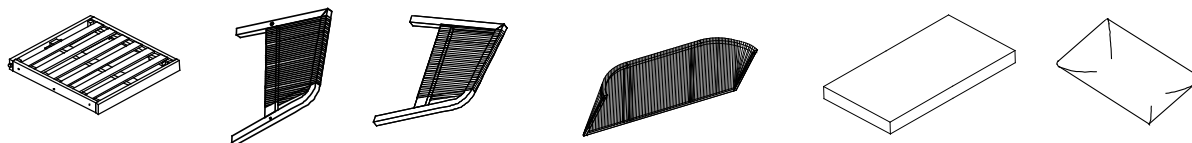
Assembly Steps

Overview



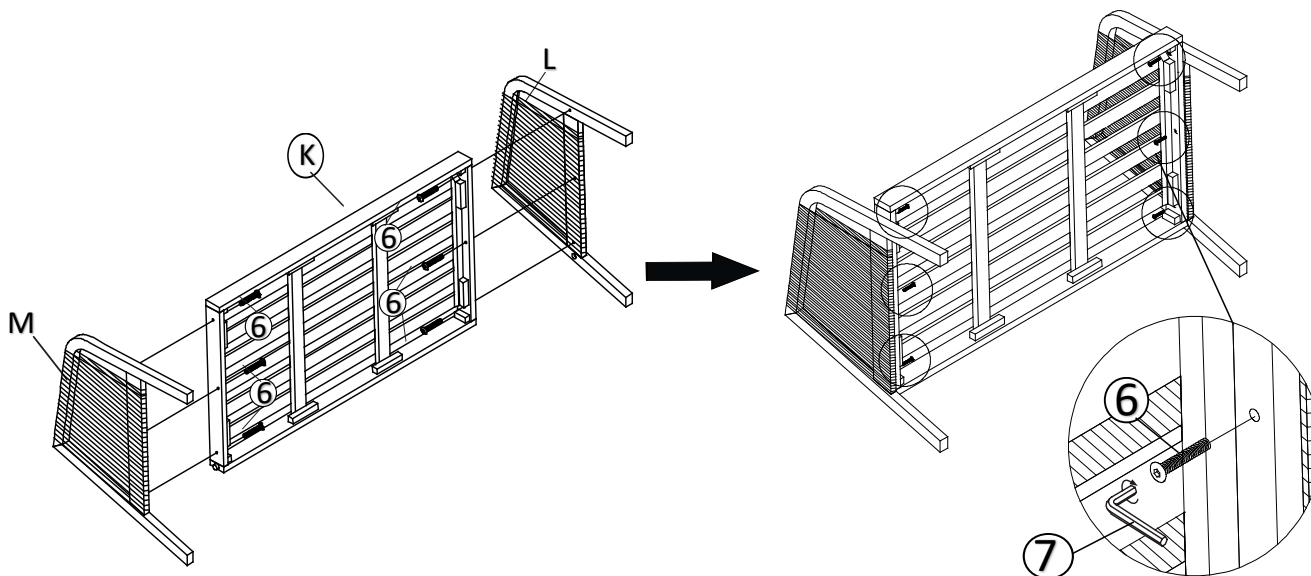
This Loveseat has multiple parts and may require up to 45 minutes to assemble. To give you an overview of the Loveseat parts, the above picture is provided to help you put the various parts into perspective. Please read through the instructions below to familiarise yourself with the parts and steps before assembly.

Step 1



Unpack and place all parts on a clean, non-marring surface.

Step 2



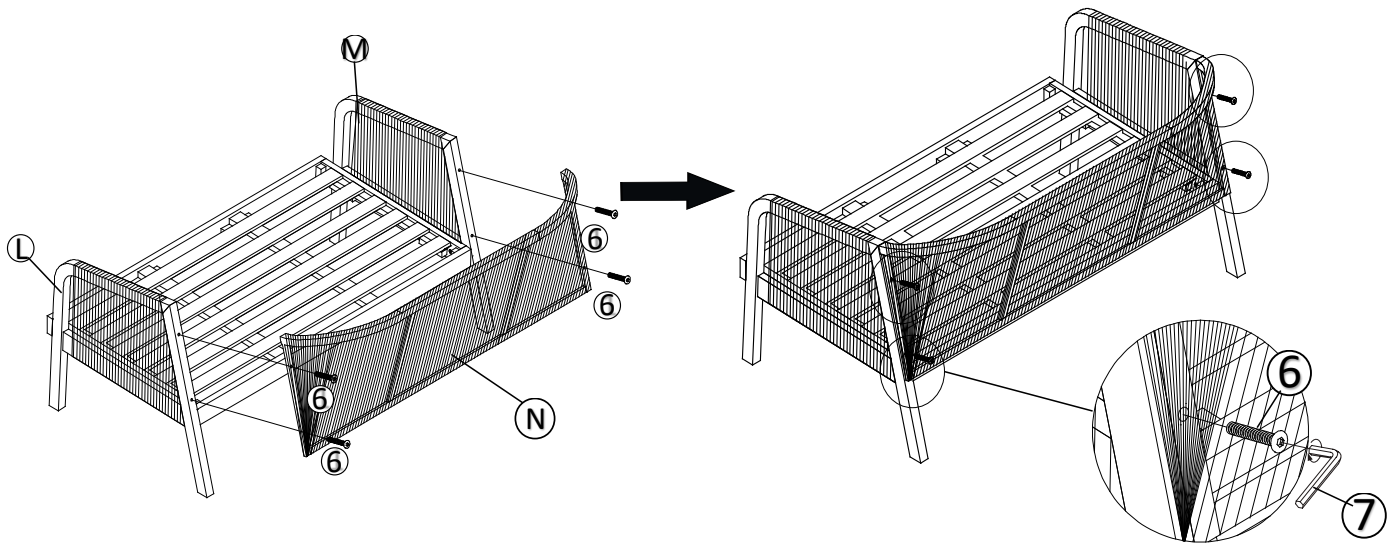
With assistance from your adult partner(s), place the Seat Panel (K) upright as shown in the pictures above onto a clean, soft surface to avoid any scratches or damage to the product.

Attach the Right Leg Panel (L) to the Seat Panel (K) using Bolts (6) and the Allen Wrench (7) as shown in the pictures above.

Repeat the same process with the Left Leg Panel (M)

Do not fully tighten the Bolts at this time.

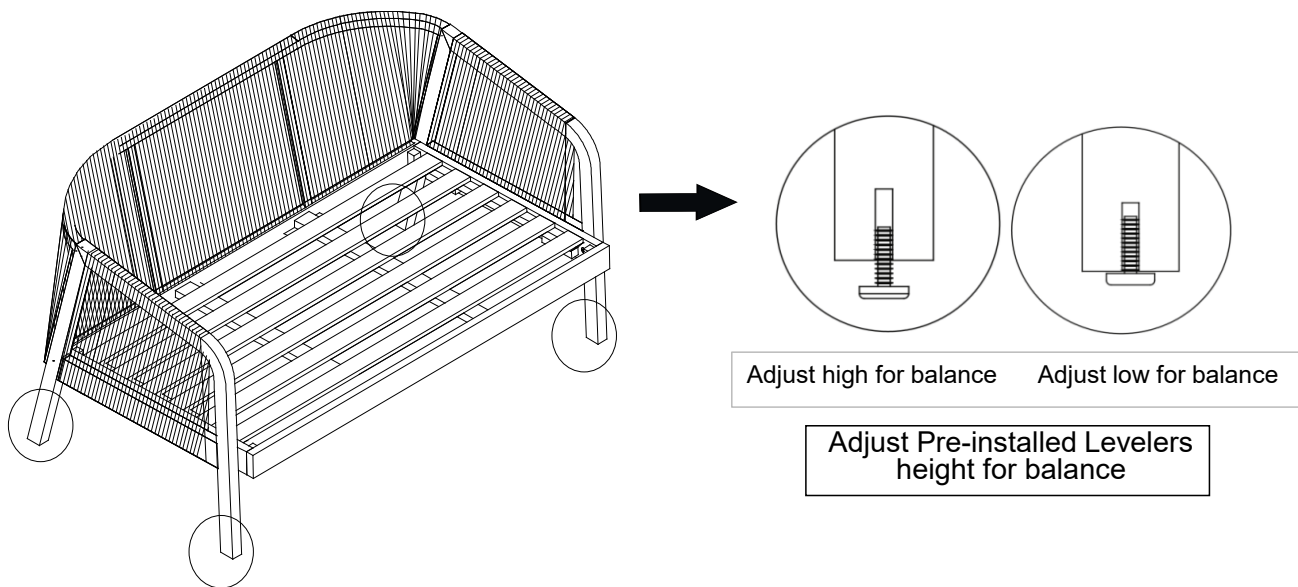
Step 3



With assistance from your adult partner(s), turn the assembled parts in step 2 upright. Attach the Backrest Panel (N) to the assembled parts in step 2 using Bolts (6) and the Allen Wrench (7) as shown above.

Do not fully tighten the Bolts at this time.

Step 4



Inspect the Loveseat and make sure all parts are adequately connected.

In a sequential manner, tighten all bolts at all joints.

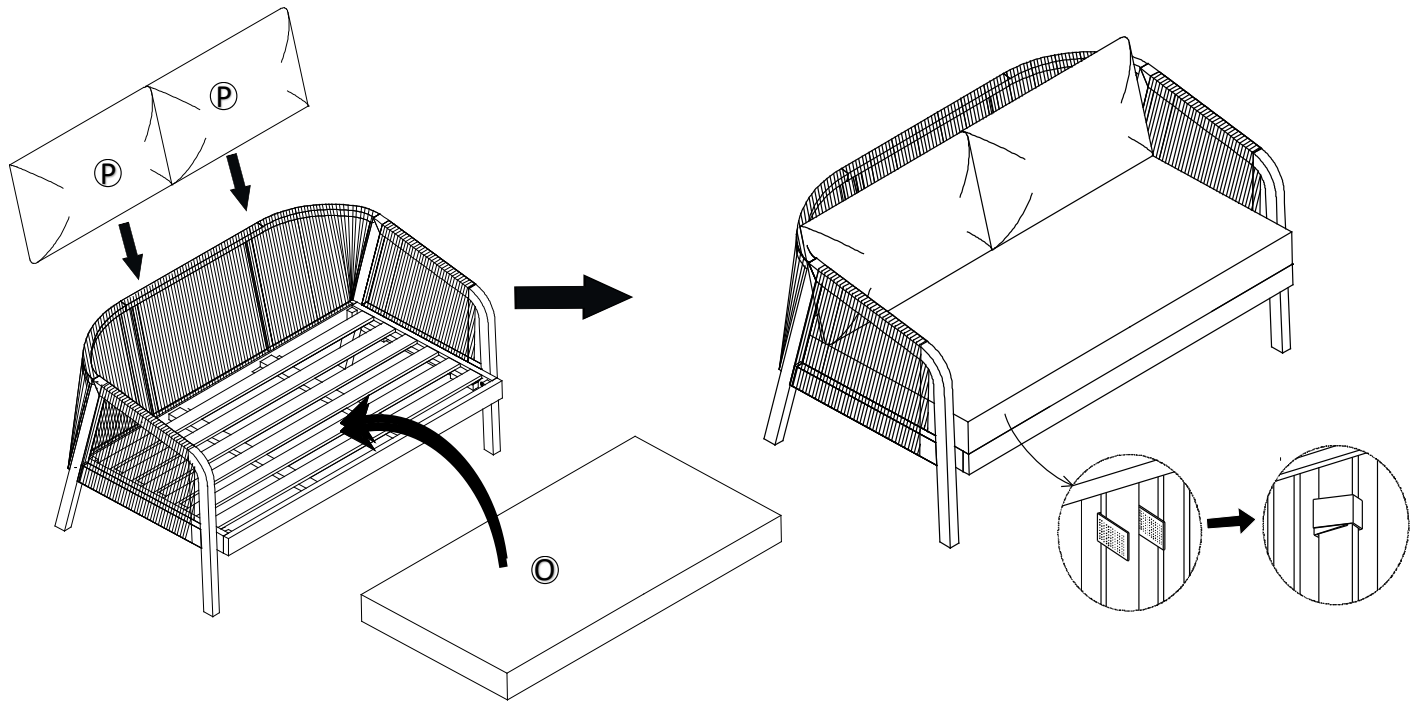
With assistance from your adult partner, adjust the Levelers to the desired height to avoid wobbles.

CAUTION : When tightening these bolts, tighten sequentially.

DO NOT tighten any bolt fully and then move towards the next one. This could cause the frame to warp.

WARNING!! IF THE LOVESEAT IS NOT STABLE , IT COULD LEAD TO DAMAGING THE PRODUCT.

Step 5























Place the Seat Cushion (O), then the Back Cushion (P) onto the Loveseat, and affix the magic tape straps around the Loveseat as shown above.

Your Loveseat is ready to be used.

This Loveseat can only be used on a flat, level surface.

Care & Maintenance

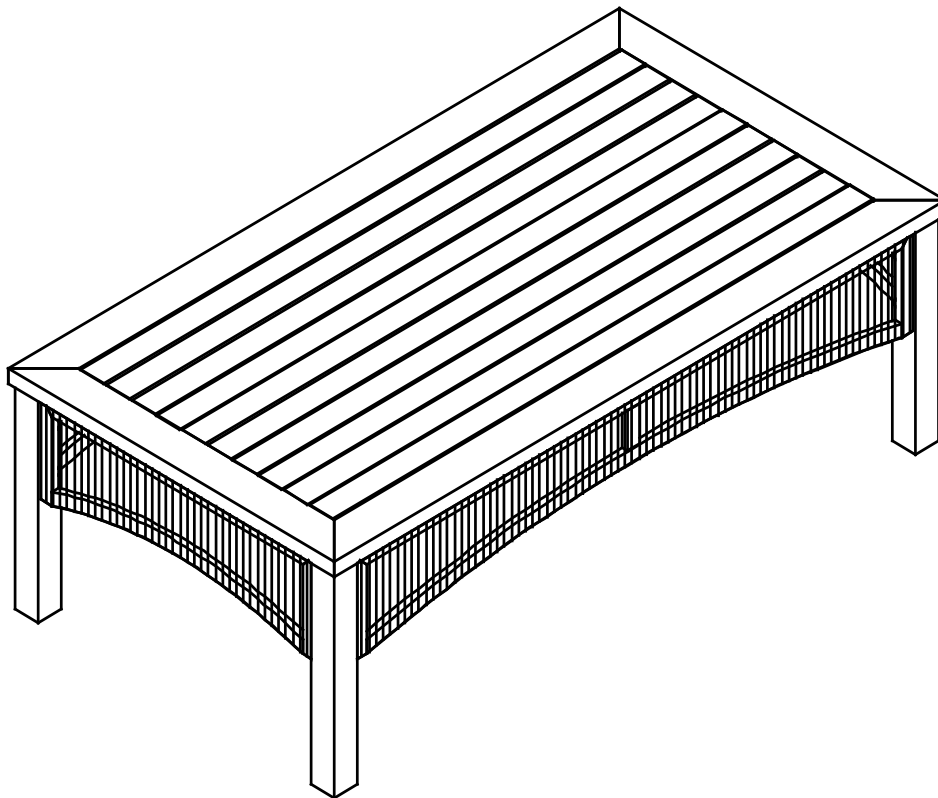
-   ● Do not put hot items directly on furniture surface
-   ● Do not clean furniture with harsh cleansers or polish.
-   ● To obtain the longest lifespan of your outdoor products, minimizing exposure to direct sunlight is recommended.
-   ● Children should not climb or jump on the furniture.
-   ● Do not write on furniture without a padded barrier to protect the surface.
-   ● To obtain the longest lifespan of your outdoor products, avoid extended and lengthy exposure to rain, snow, and direct sunshine. Whenever possible cover the product and /or place under patio or awnings.
-   ● Not for commercial use. For residential use only .
-   ● Stains may be removed with mild soap solution and damp cloth.
-   ● Keep away from sources of ignition.
-   ● Dust and pick-up spills using a clean, non-colored, lint-free cloth.

Assembly Instructions

CAUTION: You must read this **Assembly Instructions** before you proceed.

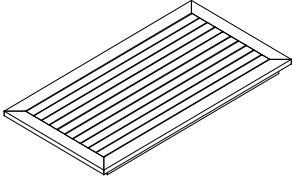
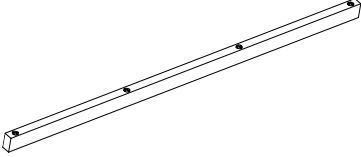
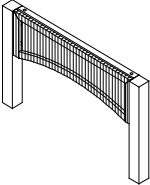
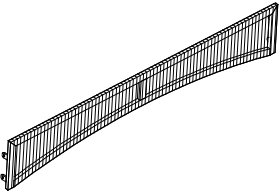
Please look in the **Table Top** for hardware packs.

Table






CAUTION: This Table is NOT a TOY.
Keep your child / children at bay in the process of assembly.
For turning the Table and to prevent damage to the Table, 02 people may be needed to execute this action.

Part List

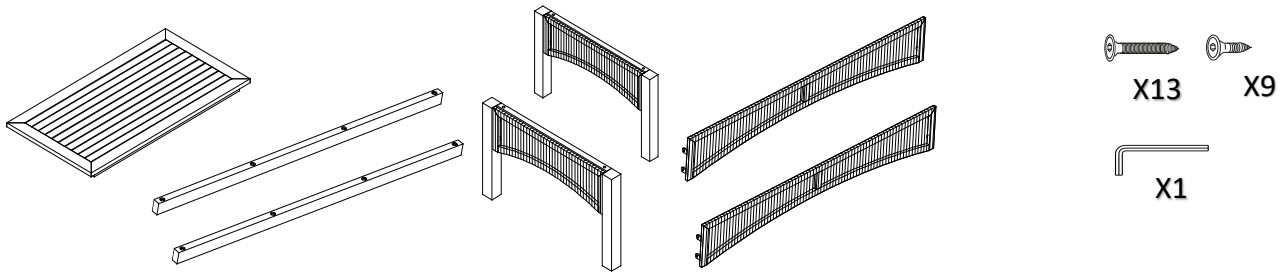
Label	Picture	Description	QTY
G		Table Top	1
H		Support Bar	2
I		Apron	2
J		Leg Frame	2

Hardware

Label	Picture	Description	QTY
③		Screws (M6x45mm)	13
④		Screws (M6x20mm)	9
⑤		Allen Wrench	1

Assembly Preparation

Before Beginning Assembly:



- Read instructions, cover to cover-



- Have 2 adults on hand for assembly-



- Do not assemble on flooring or carpet-



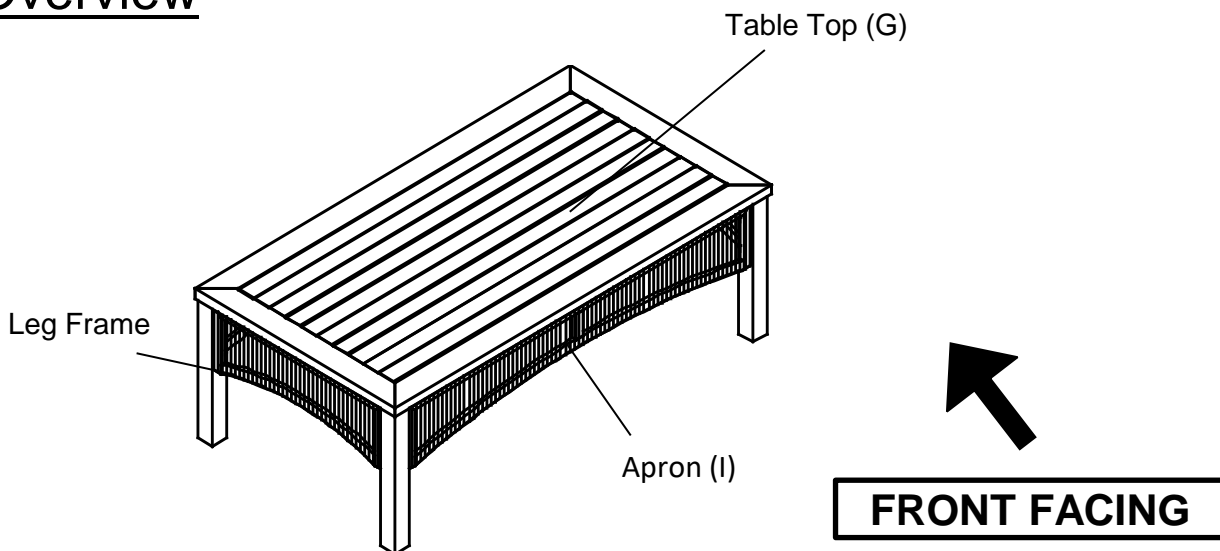
- Assemble on a clean non-marring surface (packing foam)-



- Save all packaging until finished-

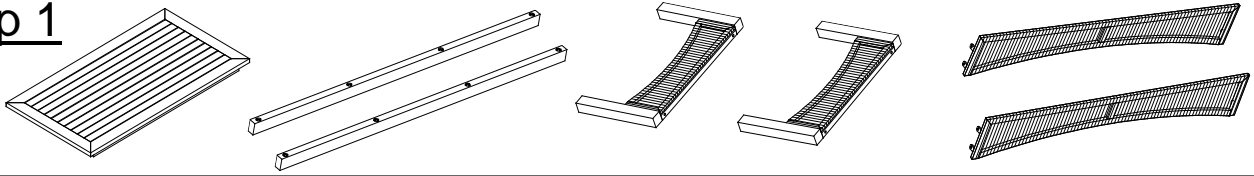
Assembly Steps

Overview



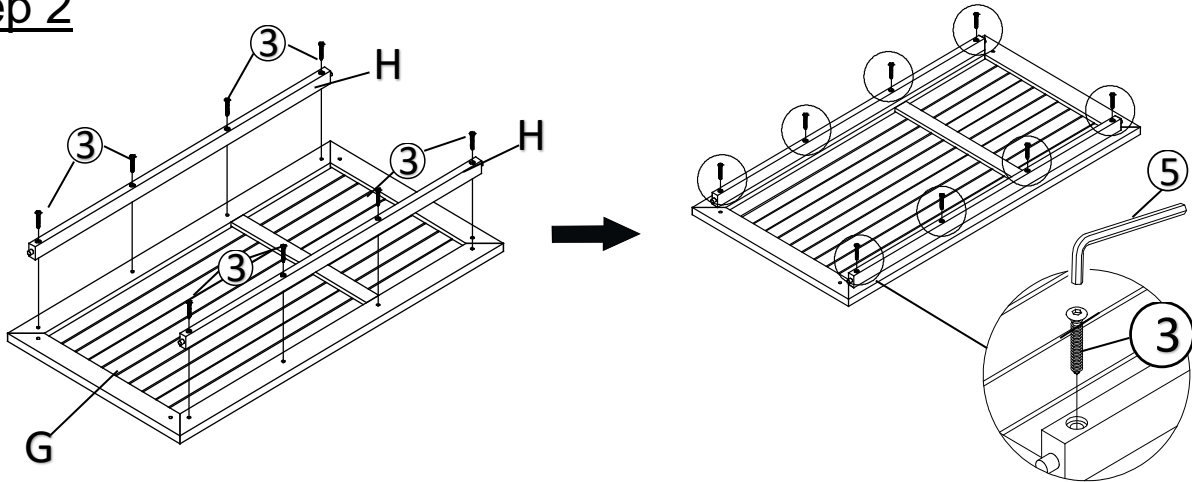
This Table has multiple parts and may require up to 35 minutes to assemble. To give you an overview of the Table parts, the above picture is to help you put the various parts into perspective. Please read through the instructions herebelow to familiarise yourself with the parts and steps before assembly.

Step 1



Unpack and place all parts on a clean, non-marring surface.

Step 2



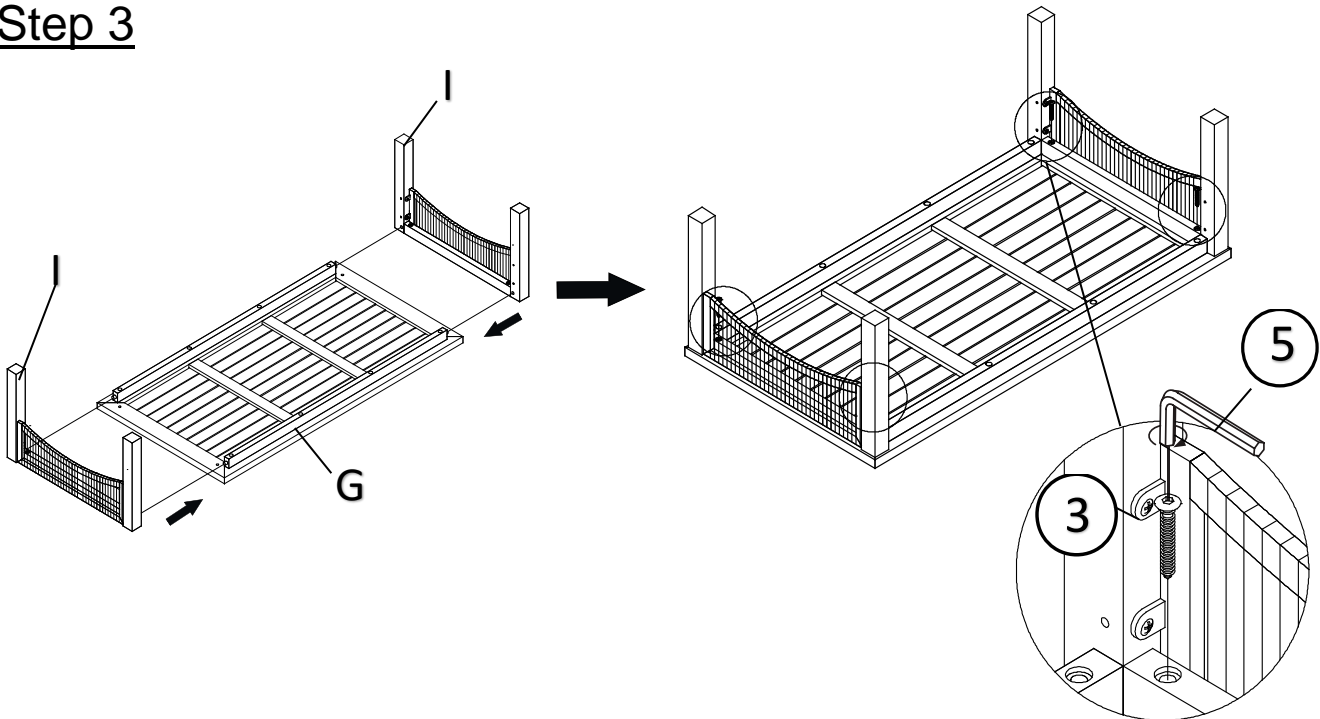
With assistance from your adult partner(s), turn the Table Top (G) (bottom-side up) and place it on a clean, soft surface to avoid any scratches or damage to the product.

Attach the Support Bar (H) to the Table top (G), then secure it using the Screws (3) and Allen Wrench (5) as shown above.

Repeat the same process with the remaining Support bar (H).

Do not fully tighten the Screws at this time.

Step 3

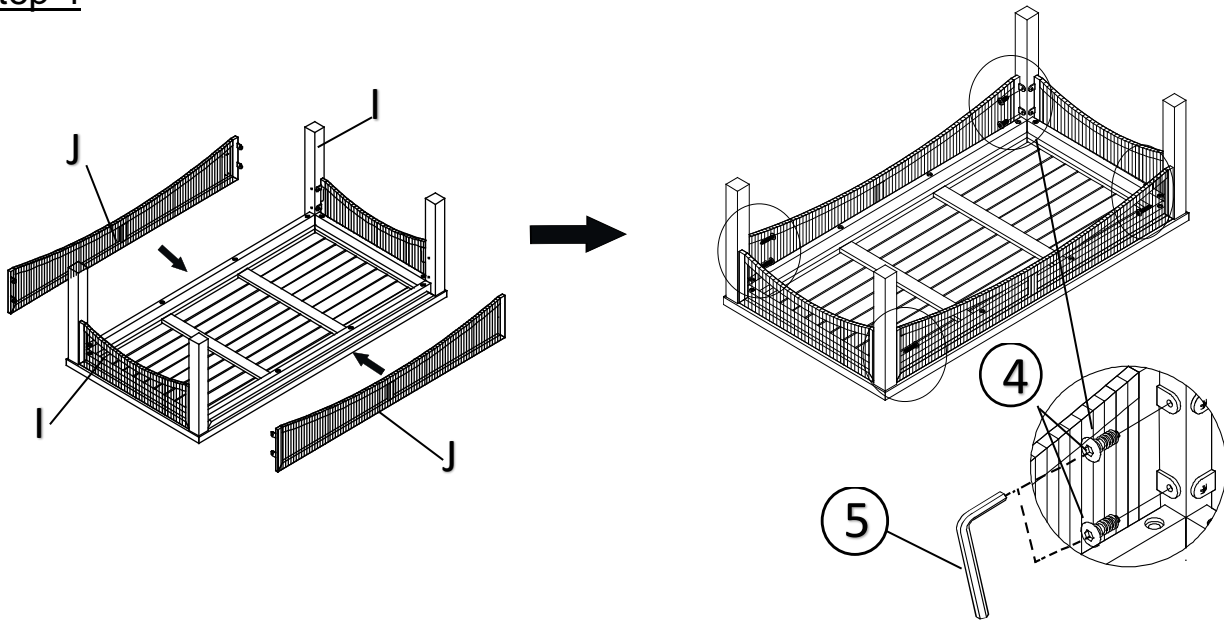


With assistance from your adult partner(s), loosely affix one Leg Frame (I) onto the Table top (G), then screw it using the Screws (3) and Allen Wrench (5) as shown above.

Repeat the same process with the remaining Leg Frame (I).

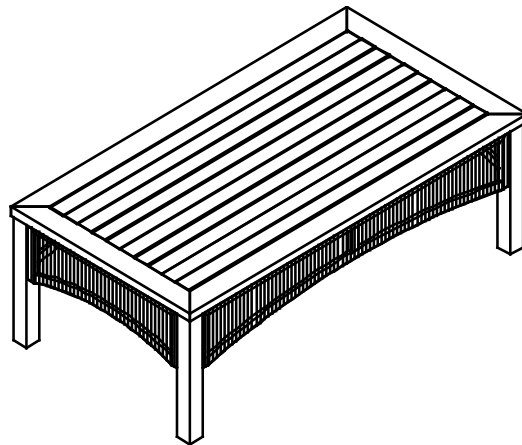
Do not fully tighten the Screws at this time.

Step 4























With assistance from your adult partner(s), attach the Apron (J) to the Leg Frame (I), then secure it using the Screws (④) and Allen Wrench (⑤) as shown above. Repeat the same process with the remaining Apron (J)
Do not fully tighten the Screws at this time.

Step 5



With assistance from your adult partner(s), turn the Table right side up. Exert pressure floorwards, onto the Table with both your hands. This pressure will help the Legs and Table Top reach full alignment status. Check for wobbles on a LEVEL surface. If no wobbles are found proceed to tighten the Screws in a sequential manner, until evenly secured. When tightening the Screws tighten sequentially.
Caution: Do no tighten any Screws fully and then move on towards the next one.
If there are still wobbles after tightening, loosen the Screws and execute the same above process.
Your Table is ready to be used.
This Table can only be used on a flat, level surface.

Care & Maintenance

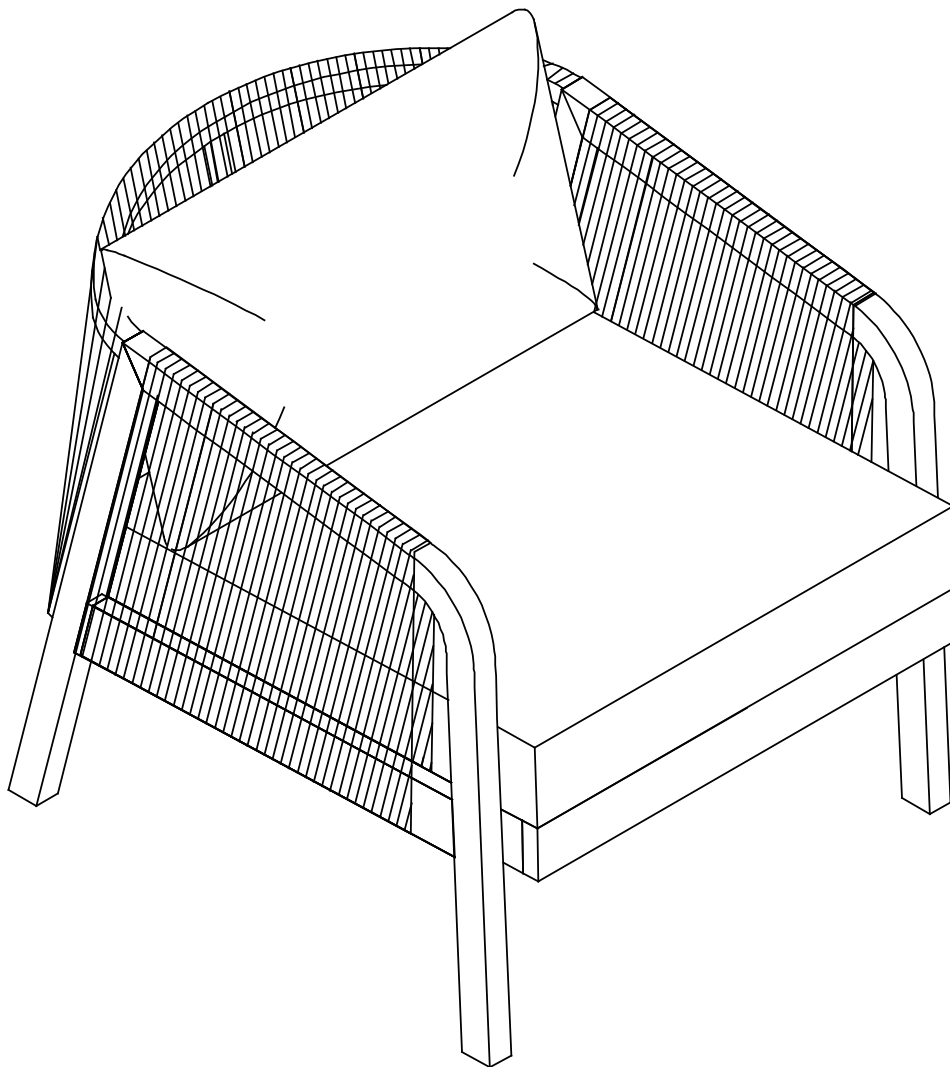
-   ● Do not put hot items directly on furniture surface
 -   ● Do not clean furniture with harsh cleansers or polish.
 -   ● To obtain the longest lifespan of your outdoor products, minimizing exposure to direct sunlight is recommended.
 -   ● Children should not climb or jump on the furniture.
 -   ● Do not write on furniture without a padded barrier to protect the surface.
 -   ● To obtain the longest lifespan of your outdoor products, avoid extended and lengthy exposure to rain, snow, and direct sunshine. Whenever possible cover the product and /or place under patio or awnings.
 -   ● Not for commercial use. For residential use only .
 -   ● Stains may be removed with mild soap solution and damp cloth.
 -   ● Keep away from sources of ignition.
-
-   ● Dust and pick-up spills using a clean, non-colored, lint-free cloth.

Assembly Instructions

CAUTION: You must read this **Assembly Instructions** before you proceed.

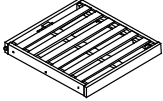



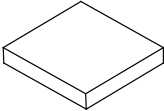
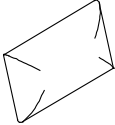
Please look in the **Seat Panel** for hardware packs.

Chair


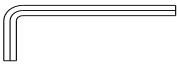


CAUTION: This Chair is NOT a TOY.
Keep your child / children at bay during the assembly process.
Whenever lifting or moving the Chair and to prevent any damage to it, two adults may be needed to execute these actions.

Part List

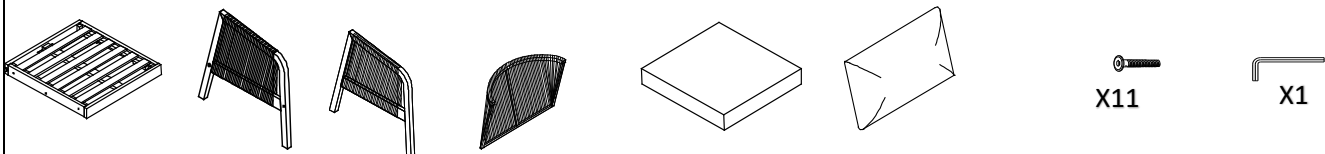
Label	Picture	Description	QTY
A		Seat Panel	1
B		Right Leg Panel	1
C		Left Leg Panel	1
D		Backrest Panel	1
E		Seat Cushion	1
F		Back Cushion	1

Hardware

Label	Picture	Description	QTY
①		Bolt (M6x40mm)	11
②		Allen Wrench	1

Assembly Preparation

Before Beginning Assembly:



- Read instructions, cover to cover-



- Have 2 adults on hand for assembly-



- Do not assemble on flooring or carpet-



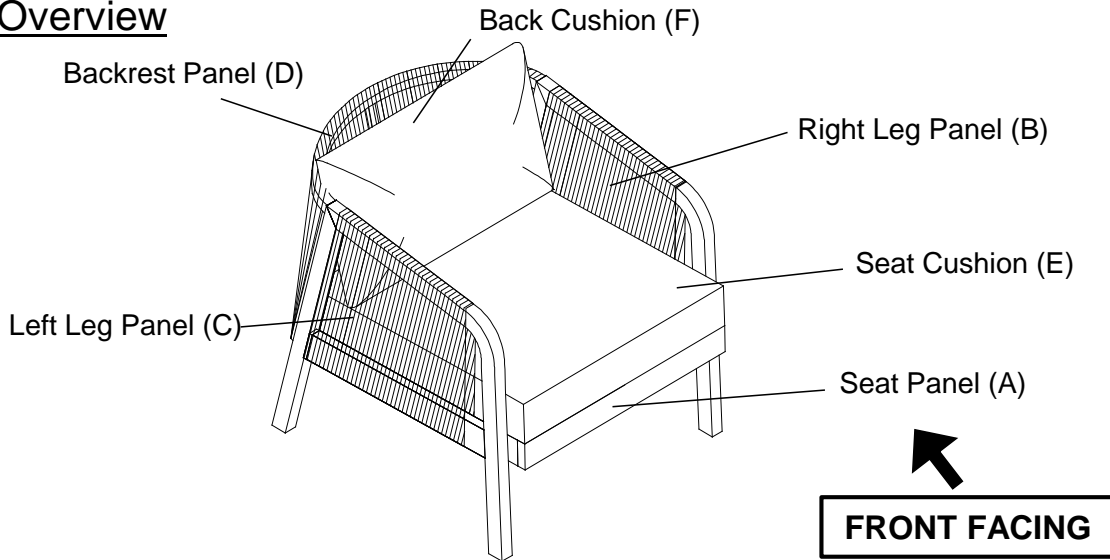
- Assemble on a clean non-marring surface (packing foam)-



- Save all packaging until finished-

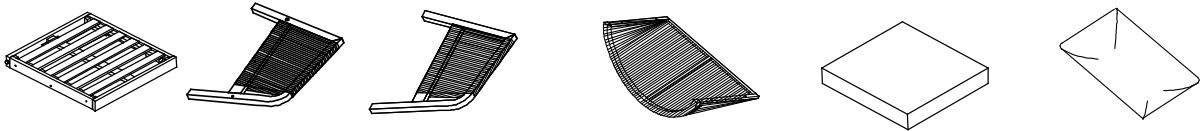
Assembly Steps

Overview



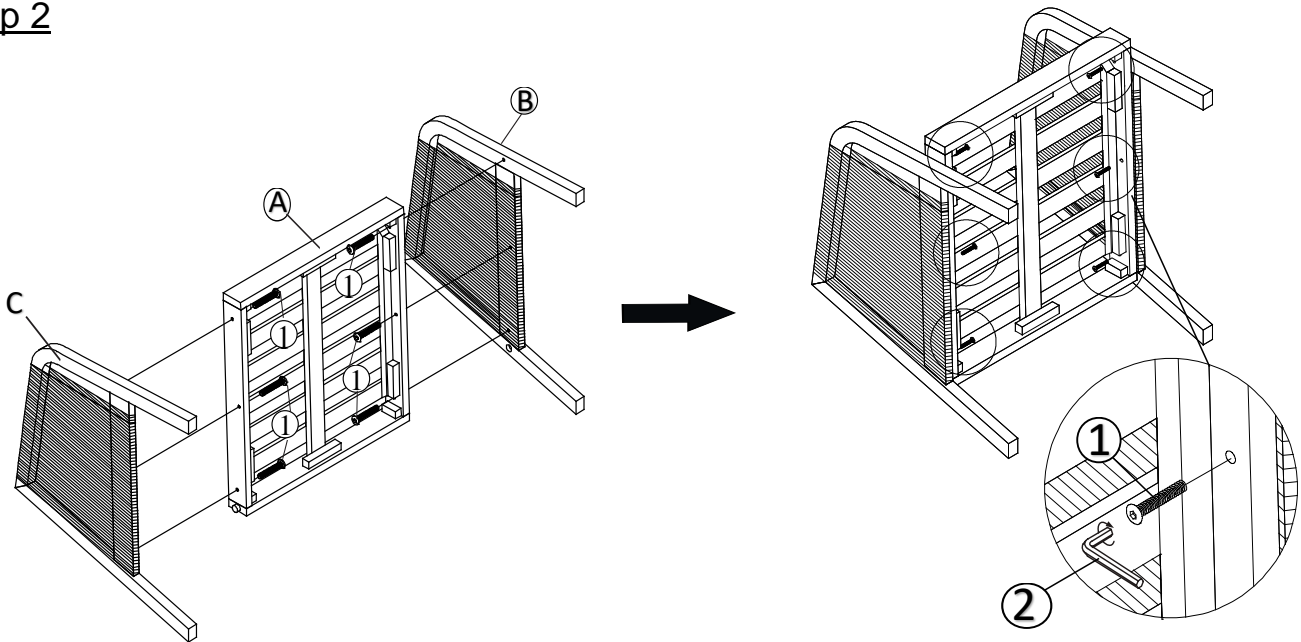
This Chair has multiple parts and may require up to 35 minutes to assemble. To give you an overview of the Chair parts, the above picture is provided to help you put the various parts into perspective. Please read through the instructions below to familiarise yourself with the parts and steps before assembly.

Step 1



Unpack and place all parts on a clean, non-marring surface.

Step 2



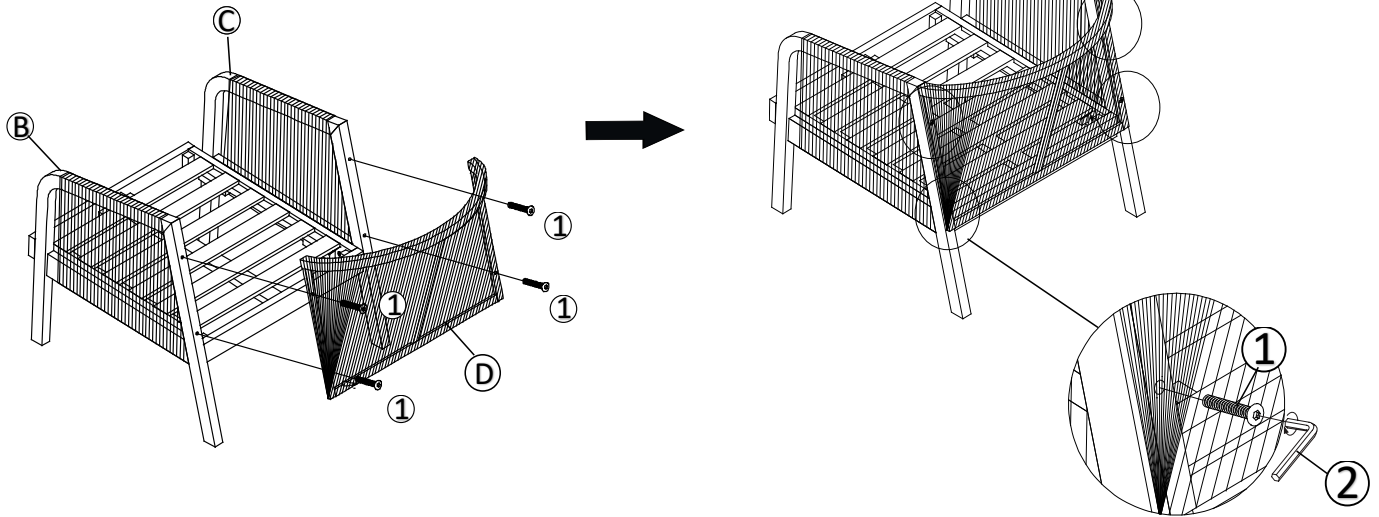
With assistance from your adult partner(s), place the Seat panel (A) upright as shown in the pictures above onto a clean, soft surface to avoid any scratches or damage to the product.

Attach the Right Leg Panel (B) to the Seat Panel (A) using Bolts (①) and the Allen Wrench (②) as the shown in the pictures above.

Repeat the same process with the Left Leg Panel (C)

Do not fully tighten the Bolts at this time.

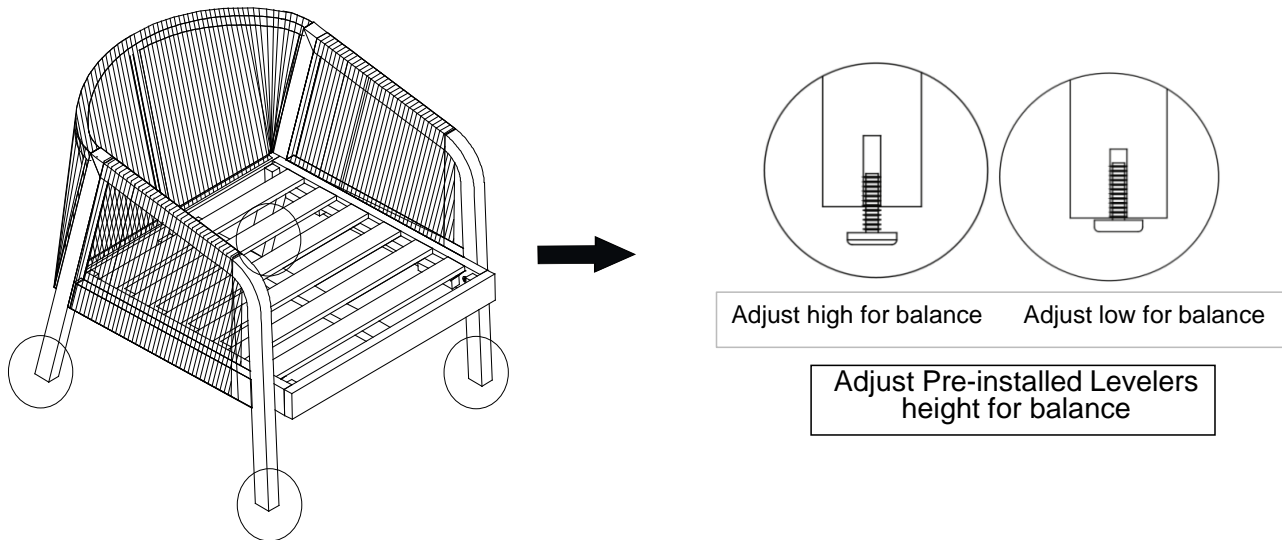
Step 3



With assistance from your adult partner(s), turn the assembled parts in step 2 upright. Attach the Backrest Panel (D) to the assembled parts in step 2 using Bolts (①) and the Allen Wrench (②) as shown in the pictures above.

Do not fully tighten the Bolts at this time.

Step 4



Inspect the Chair and make sure all parts are adequately connected.

In a sequential manner, tighten all bolts at all joints.

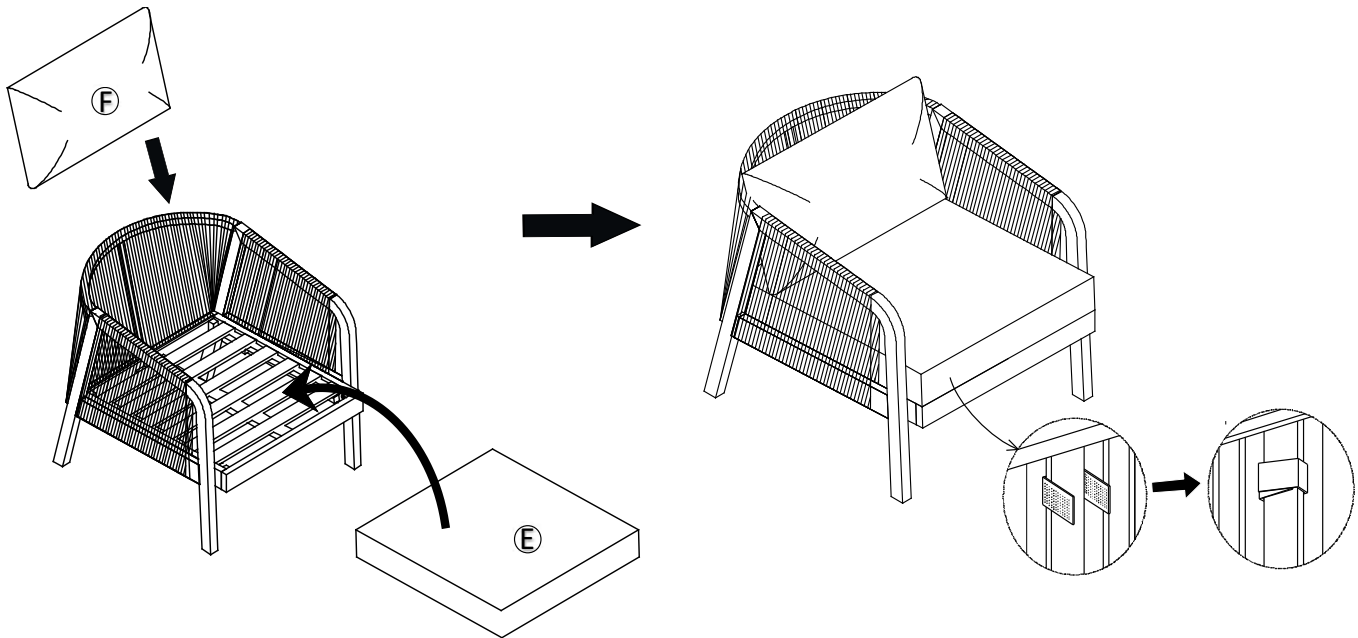
With assistance from your adult partner, adjust the Levelers to the desired height to avoid wobbles.

CAUTION : When tightening these bolts, tighten sequentially.

DO NOT tighten any bolt fully and then move towards the next one. This could cause the frame to warp.

WARNING!! IF THE CHAIR IS NOT STABLE , IT COULD LEAD TO DAMAGING THE PRODUCT.

Step 5























Place the Seat Cushion (E), then Back Cushion (F) onto the Chair, and affix the magic tape straps around the Chair as shown above.

Your Chair is ready to be used.

This Chair can only be used on a flat, level surface.

Care & Maintenance

-   ● Do not put hot items directly on furniture surface
 -   ● Do not clean furniture with harsh cleansers or polish.
 -   ● To obtain the longest lifespan of your outdoor products, minimizing exposure to direct sunlight is recommended.
 -   ● Children should not climb or jump on the furniture.
 -   ● Do not write on furniture without a padded barrier to protect the surface.
 -   ● To obtain the longest lifespan of your outdoor products, avoid extended and lengthy exposure to rain, snow, and direct sunshine. Whenever possible cover the product and /or place under patio or awnings.
 -   ● Not for commercial use. For residential use only .
 -   ● Stains may be removed with mild soap solution and damp cloth.
 -   ● Keep away from sources of ignition.
-
-   ● Dust and pick-up spills using a clean, non-colored, lint-free cloth.