

Platform Frame

Contains One (1) Frame and Hardware

Carefully remove all the parts from the carton. Arrange on a flat surface and verify you have all of the following parts and hardware.

EK, CK SIZES

IMPORTANT NOTE:

Two wooden replacement slats have been included with this frame. Do not throw them away. Store these replacement slats in a safe place for future use, if needed.

PART LIST

A. Side Rails (2 pcs)



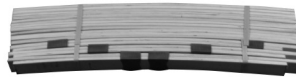
B. Foot and Head Rails (2 pcs)



C. Center Support (2 pc)



D. Wood Slats (45 pcs)



E. Legs (8 pcs)



F. Slat Holder - Center (30 pcs)



G. Slat Holder - Side (30 pcs)



HARDWARE LIST



H. Screw
(24 pcs)



I. Nut
(24 pcs)



J. Washer
(24 pcs)



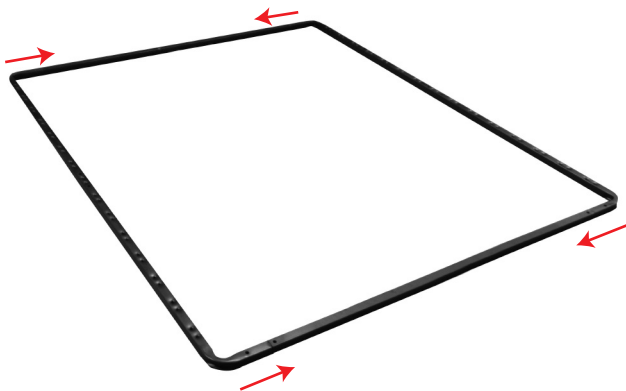
K. Hex Key
(1 pc)



L. Wrench
(1 pc)

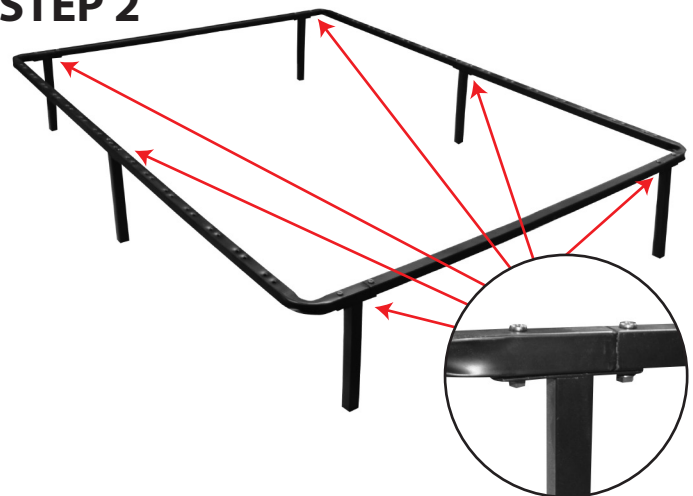
ASSEMBLY INSTRUCTIONS

STEP 1



With holes facing up, insert the side rails (Part A) into the foot and head rails (Part B).

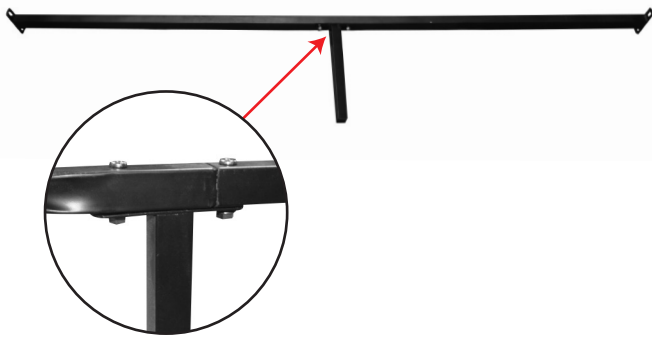
STEP 2



Attach outer six legs (Part E) to the frame using two screws (Part H), two washers (Part J) and two nuts (Part I) per leg. Tighten using hex key (Part K) and wrench (Part L).

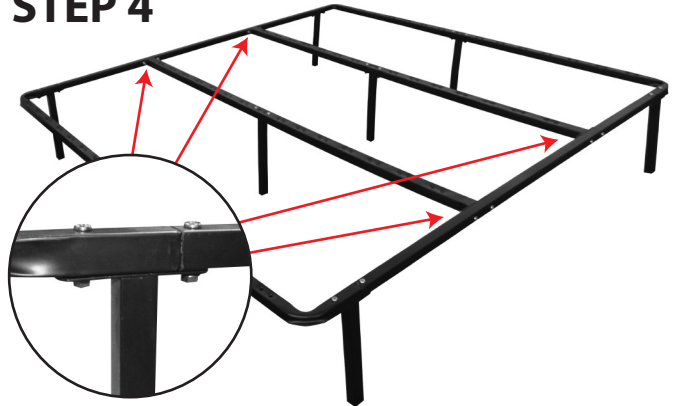
ASSEMBLY INSTRUCTIONS (CONTINUED)

STEP 3



Attach two remaining legs (Part E) to the center supports (Part C) using two screws (Part H), two washers (Part J) and two nuts (Part I) per leg. Tighten using hex key (Part K) and wrench (Part L).

STEP 4



Attach the center supports from Step 3 to the frame from Step 2 using two screws (Part H), two washers (Part J) and two nuts (Part I) for each connection point. Tighten using hex key (Part K) and wrench (Part L).

STEP 5

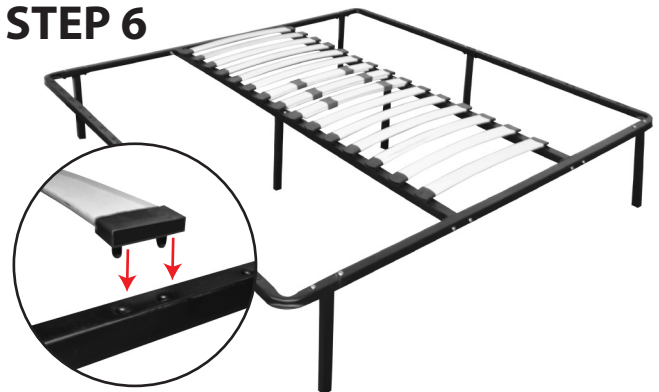


Put center slat holders (Part F) on each side of the **12 single** slats (Part D).



Put center slat holders (Part F) on each side of the **3 double** slats (Part D).

STEP 6



Attach slats to the center section of the frame by pressing the pegs into the holes. Double slats are installed in the middle.

STEP 7

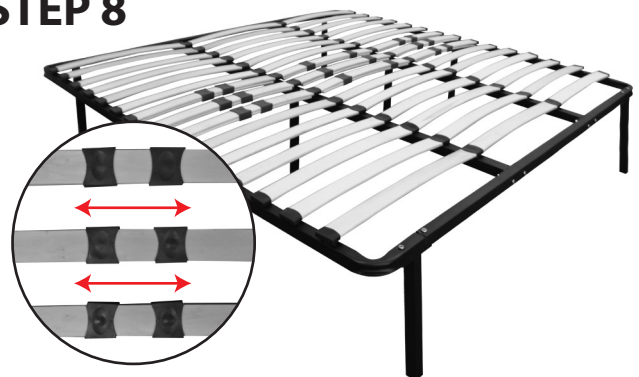


Put side slat holders (Part G) on one side of the **24 remaining single** slats (Part D).



Put side slat holders (Part G) on one side of the **6 remaining double** slats (Part D).

STEP 8



Attach slats to the side sections of the frame. Double slats are installed in the middle. By moving the blue sliders on the double slats closer together you can make the middle section plusher, and by moving them apart - make it firmer.