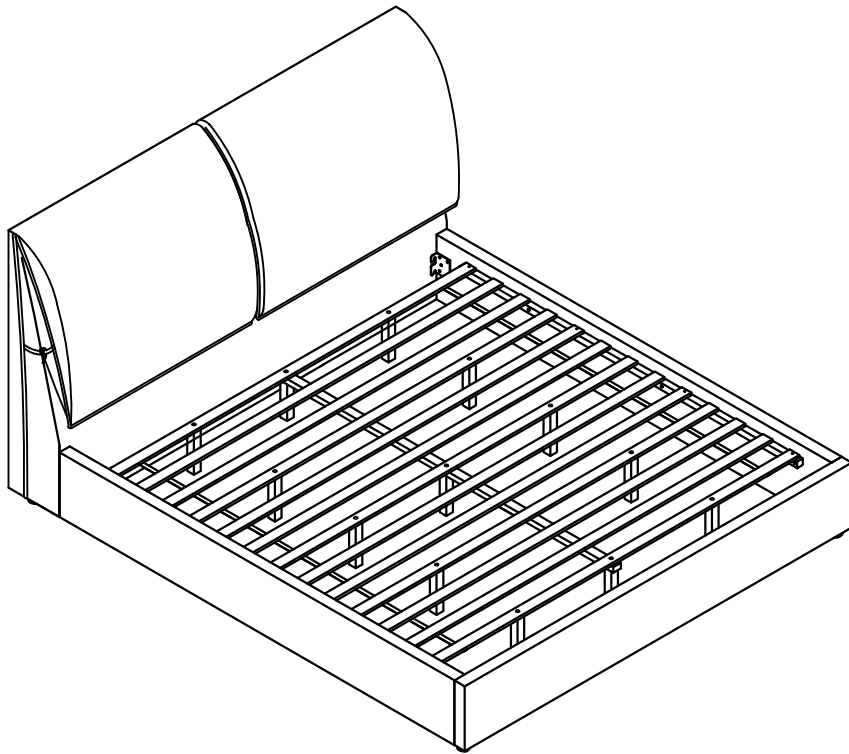


# ASSEMBLY INSTRUCTIONS



*Fine Furniture for every stage of life*

**Eastern King Bed**

# ASSEMBLY INSTRUCTIONS

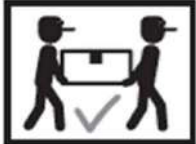
## ASSEMBLY TIPS:

1. Remove hardware from box and sort by size.
2. Please check to see that all hardware and parts are present prior to start of assembly.
3. Please follow attached instructions in the same sequence as numbered to assure fast & easy assembly.



### WARNING!

1. Don't attempt to repair or modify parts that are broken or defective. Please contact the store immediately.
2. This product is for home use only and not intended for commercial establishments.



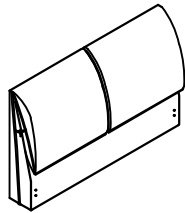
**ASSEMBLY TIME**

**30 MINUTES**

## PARTS IDENTIFICATION

### B1 (BOX1)

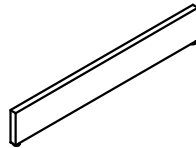
AN HEADBOARD



1PC

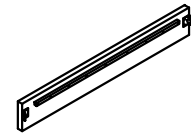
### B2 (BOX2)

BN FOOTBOARD



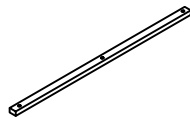
1PC

CN BED RAIL



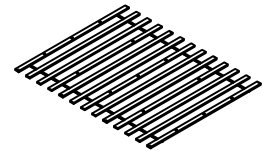
2PCS

DN CENTER RAIL



1PC

EN ROLL SLAT  
(13PCS)



1SET

FN CENTER RAIL SUPPORT  
WITH LEVELER



3PCS

GN BED SLAT SUPPORT  
WITH LEVELER



10PCS

## HARDWARE IDENTIFICATION

**Z-B2 (BOX2) - HARDWARE PACK IS LOCATED IN 306041KE(B2)**

1 BOLT  
(Ø5/16" x 38mm - RBW)



8PCS

2 FLAT WASHER  
(Ø5/16" - RBW)



8PCS

3 LOCK WASHER  
(Ø5/16"-RBW)



8PCS

4 PAN HEAD SCREW  
(M4 x 30mm - RBW)



8PCS

5 ALLEN WRENCH  
(5mm - RBW)



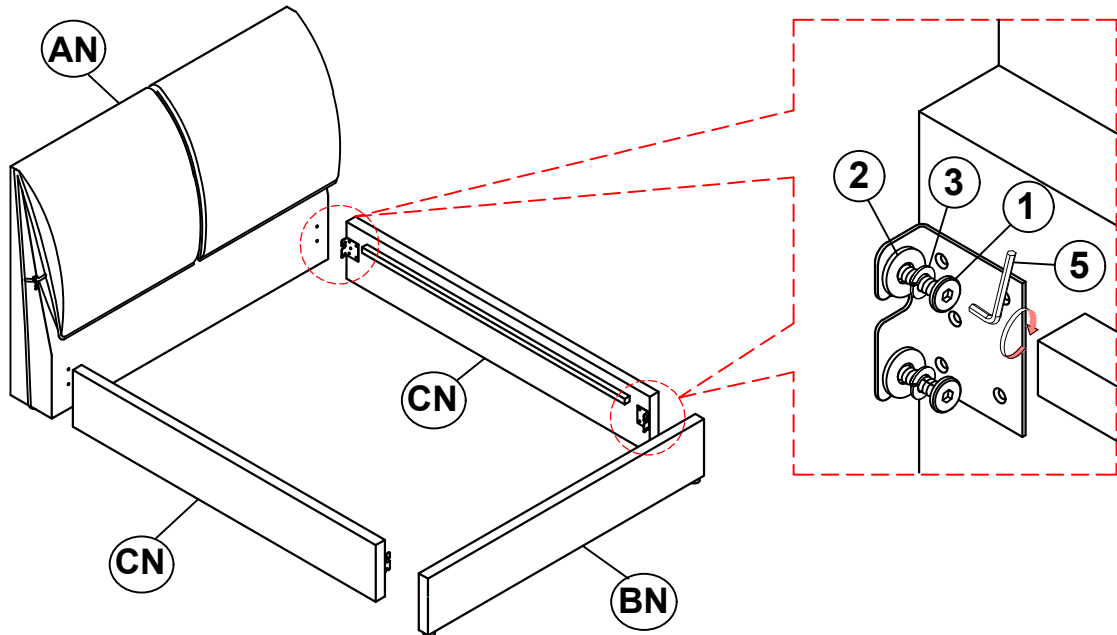
1PC

### NOTE:

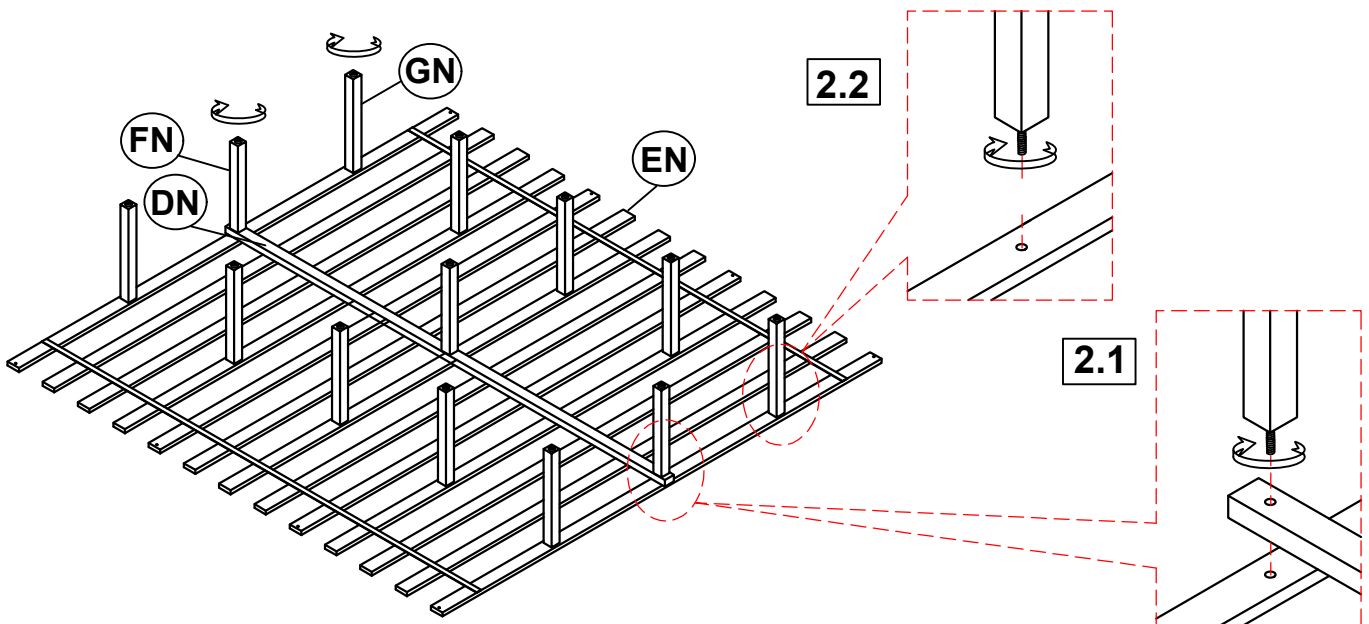
Phillips head screw driver is required in the assembly process; however, manufacturer does not provide this item.

# ASSEMBLY INSTRUCTIONS

## STEP 1

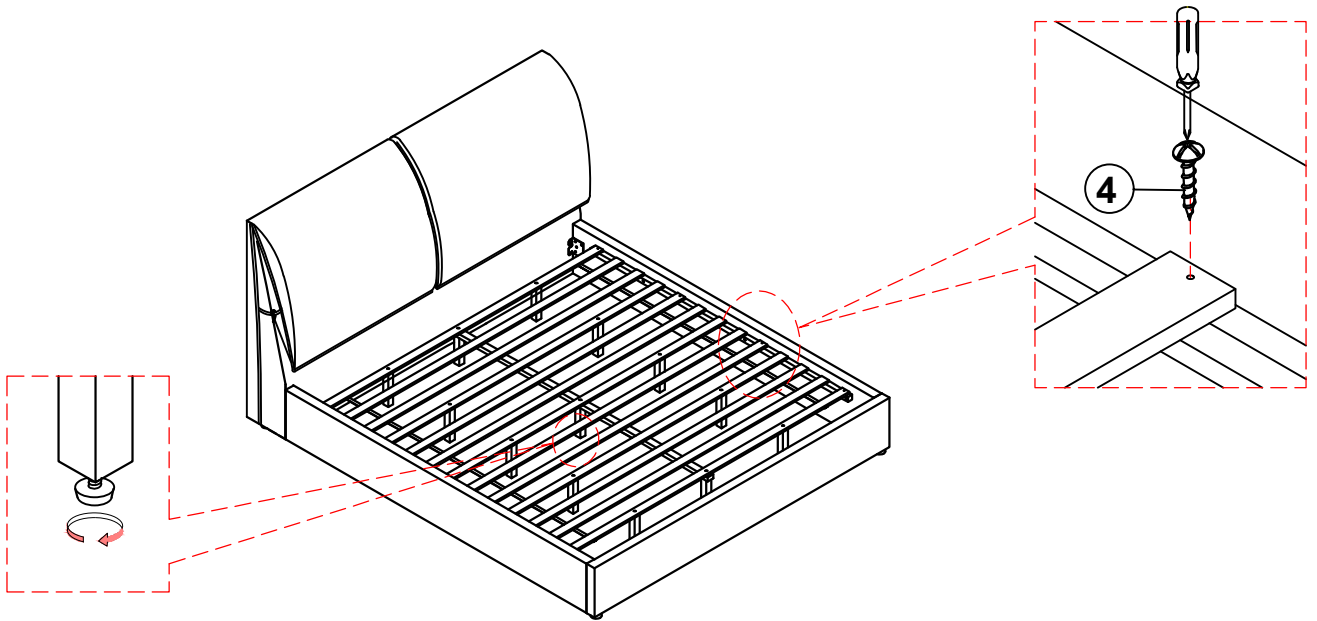


## STEP 2

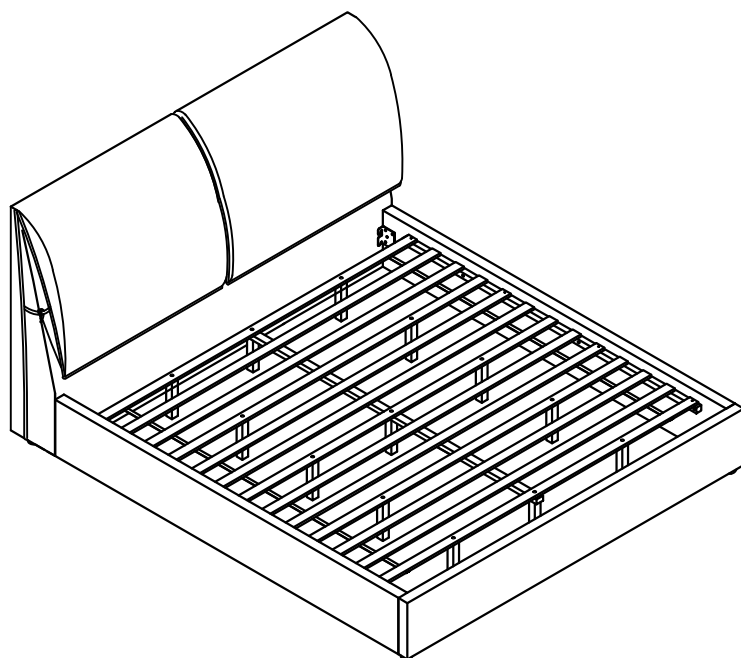


# ASSEMBLY INSTRUCTIONS

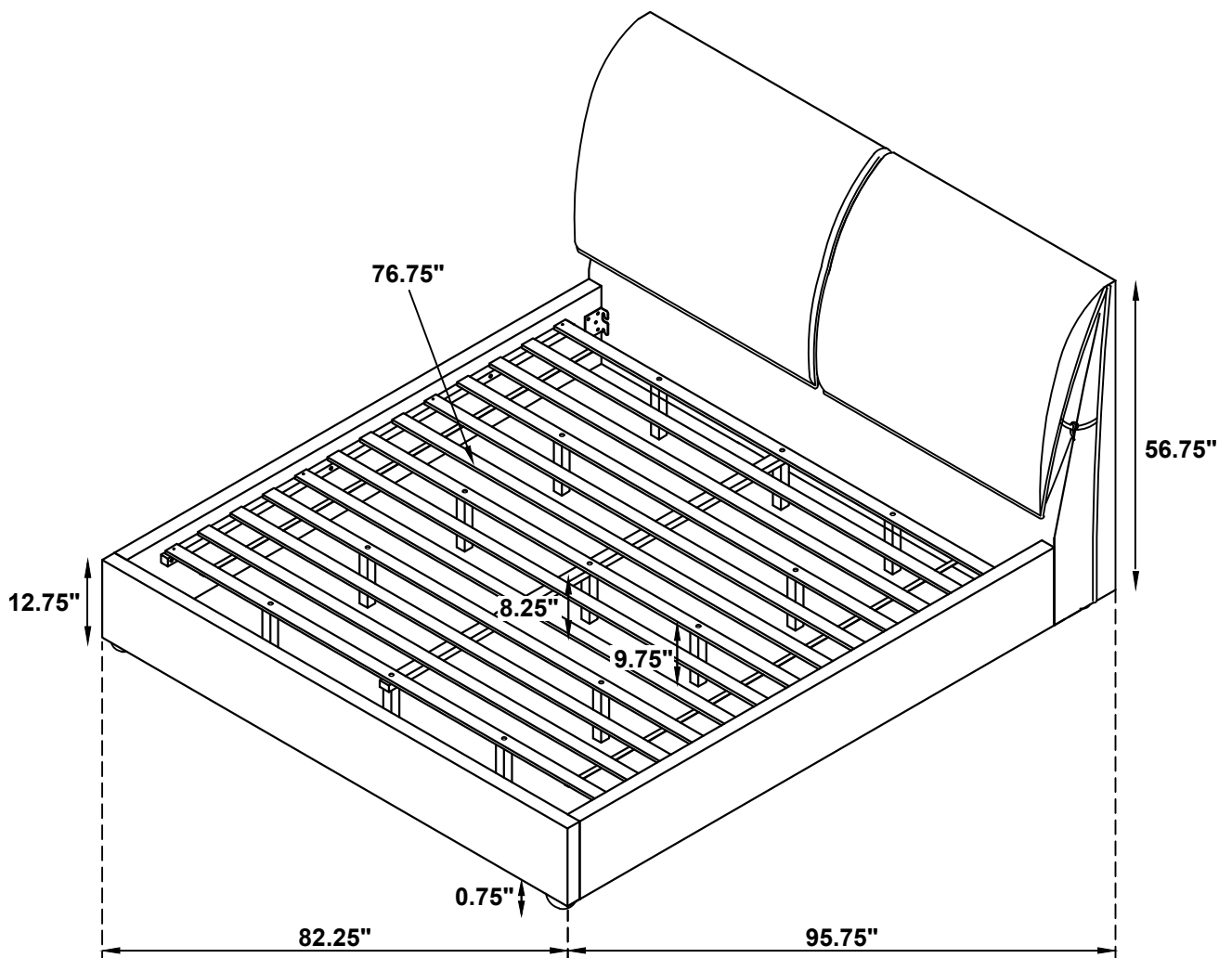
## STEP 3



## STEP 4 COMPLETE



Inner Size: 77.00"W X 81.25"D



Note: Dimension tolerance  $\pm 5\%$