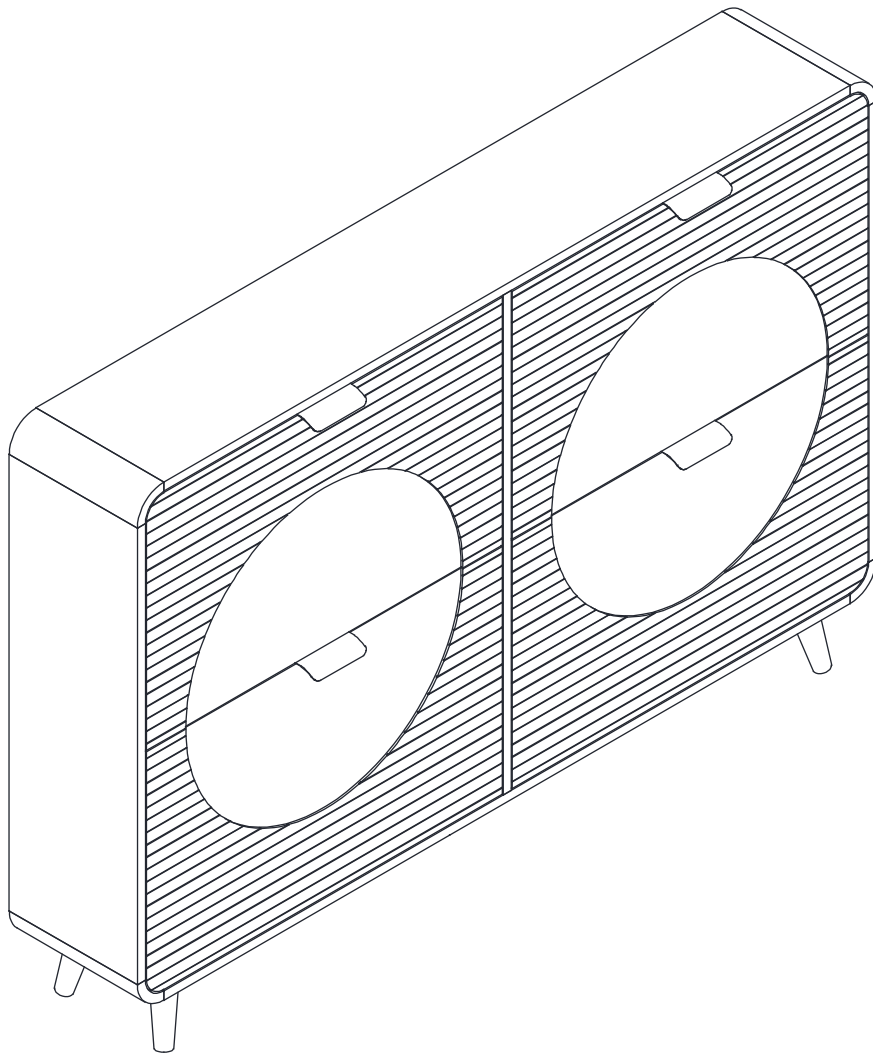


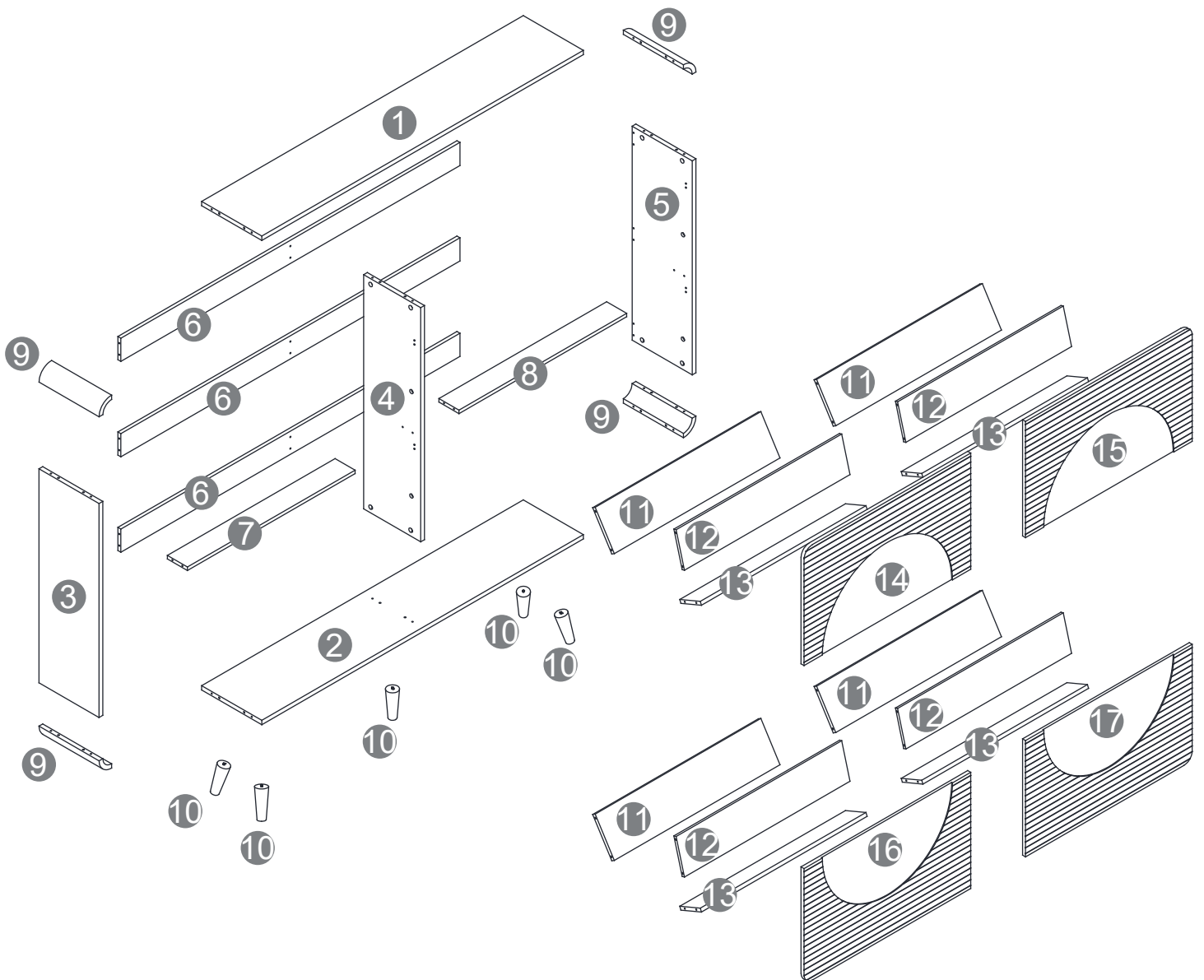
Assembly Instructions

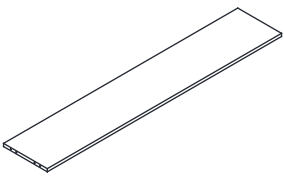
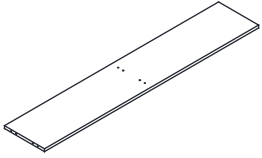



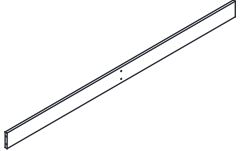
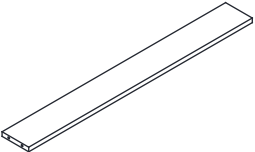
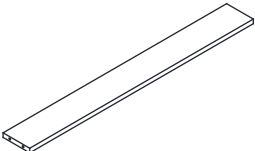
Two-person assembly required

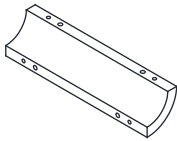

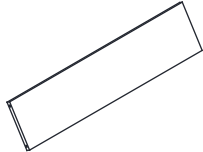
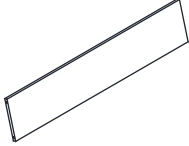
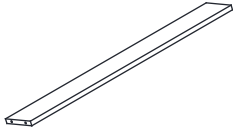
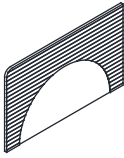
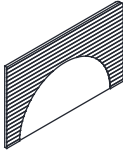
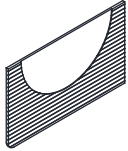
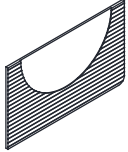


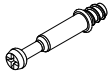

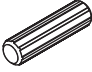



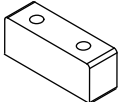


If you have any questions, please contact us

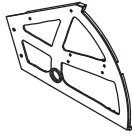
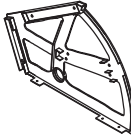
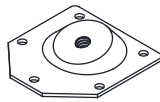

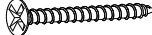





We will help you within 24 hours



Item no.	Reference Image	Qty.
1		X1
2		X1
3		X1
4		X1
5		X1
6		X3
7		X1
8		X1

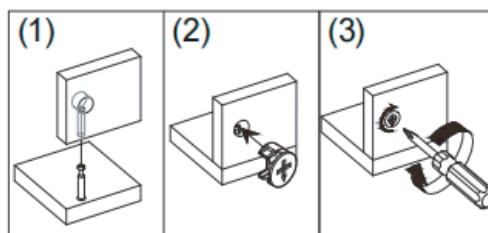
Item no.	Reference Image	Qty.
9		X4
10		X5
11		X4
12		X4
13		X4
14		X1
15		X1
16		X1
17		X1

Item no.	Reference Image	Qty.
(A)	 M6*35mm	X40
(B)	 Ø15*10mm	X40
(C)	 Ø8*30mm	X23
(D)	 M3*10mm	X24
(E)	 M3*14mm	X48
(F)	 M4*10mm	X28
(G)		X8
(H)		X2
(I)		X2

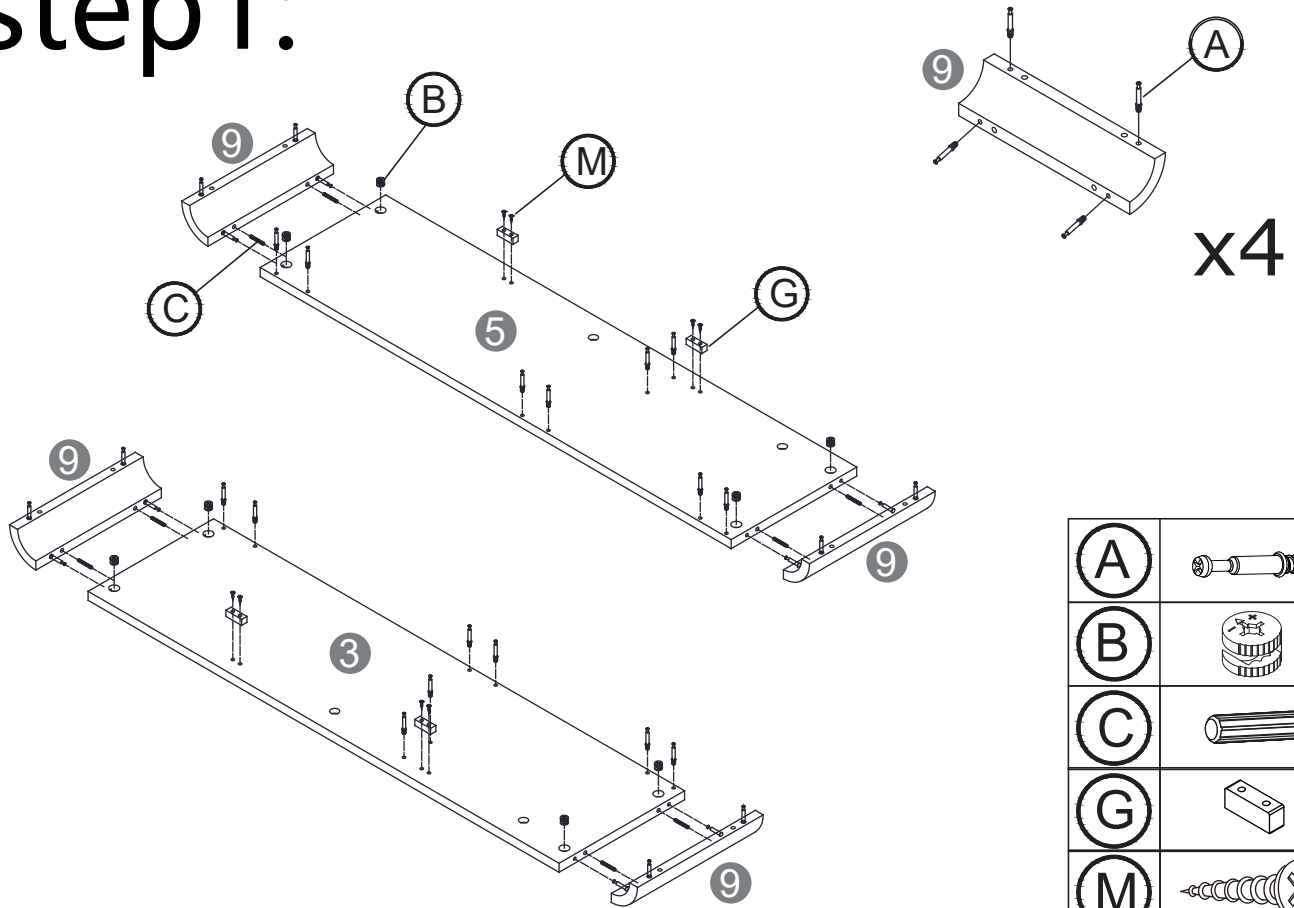
Item no.	Reference Image	Qty.
(J)		X4
(K)		X4
(L)		X4
(M)	 M3*16mm	X16
(N)	 M4*35mm	X8
(O)	 M3.5*10mm	X8
(P)		X4
(Q)		X8
(R)	 M4*10mm	X8
(S)		X1

Cam Lock Fastening System

This Cam Lock Fastening System will be used throughout the assembly process

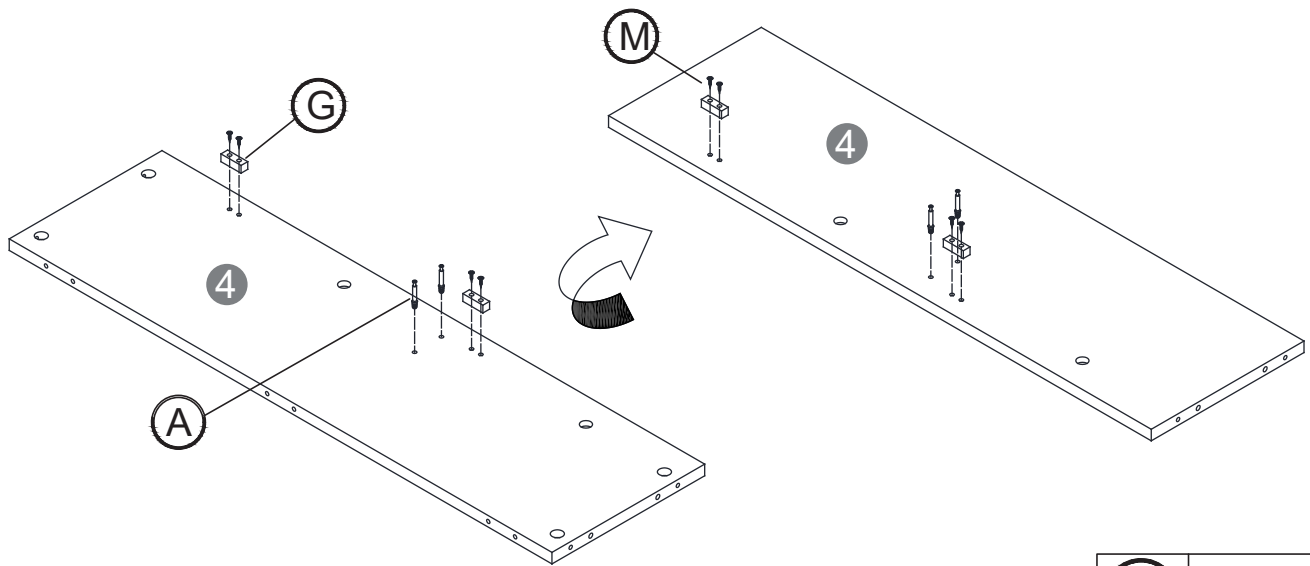


step1:



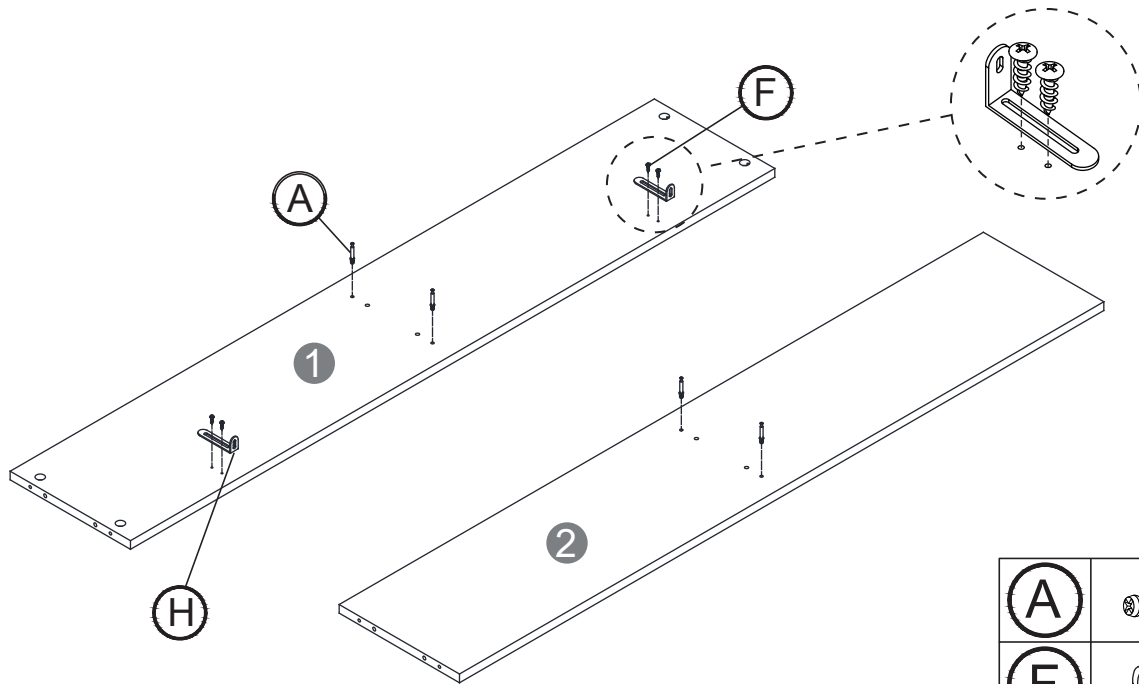
(A)		X 32
(B)		X 8
(C)		X 8
(G)		X 4
(M)		X 8


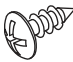
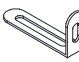
step2:



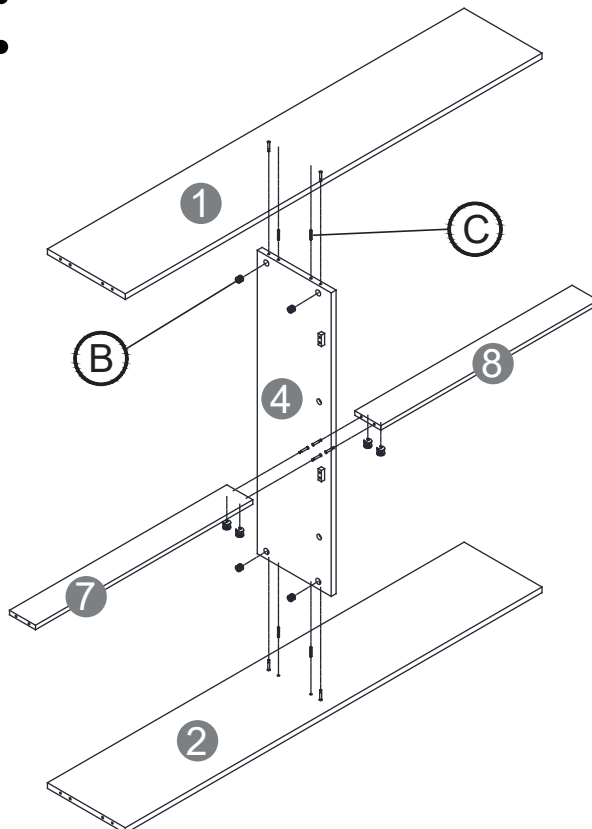
(A)		X 4
(G)		X 4
(M)		X 8



step3:



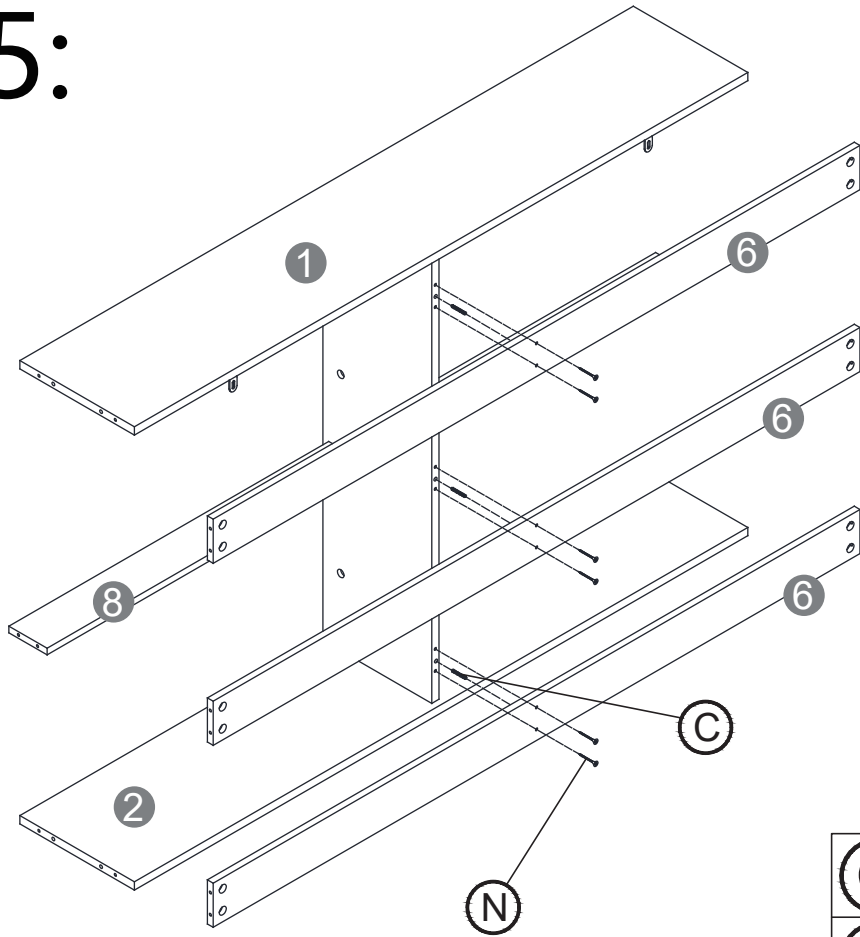
(A)		X 4
(F)		X 4
(H)		X 2



step4:



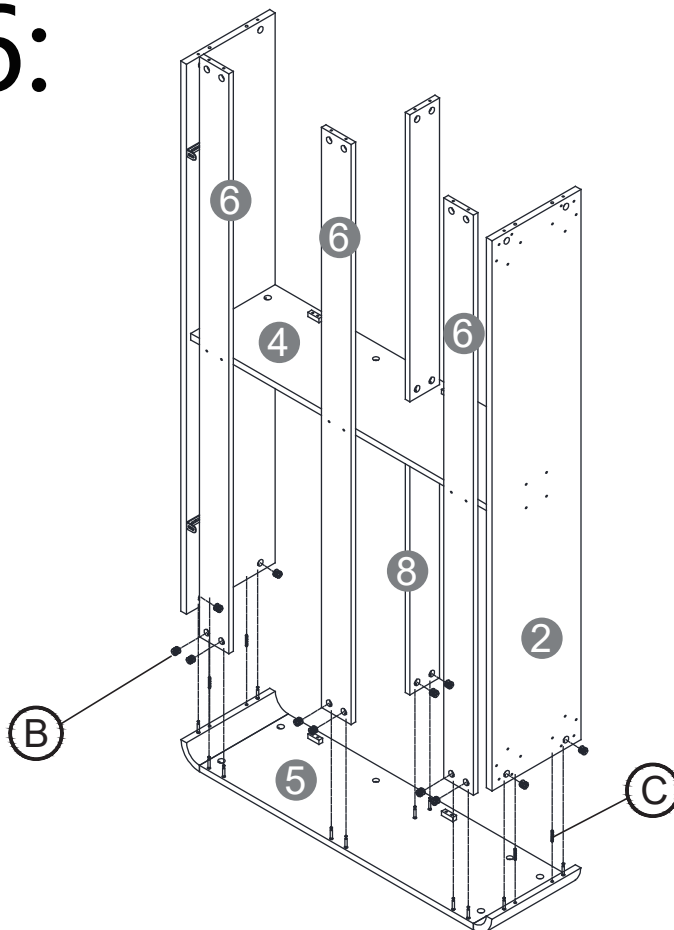
(B)		X 8
(C)		X 4



step5:



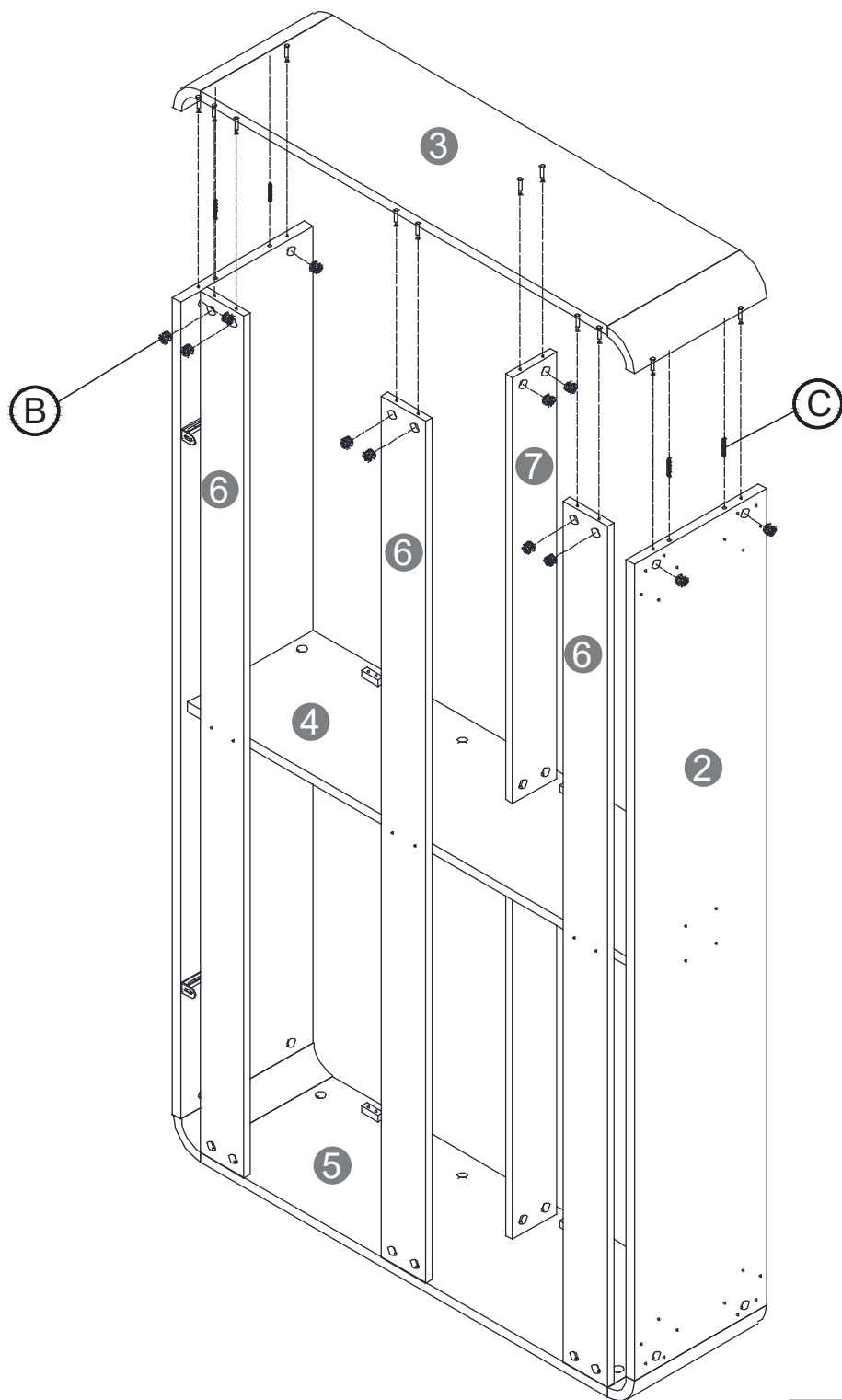
(C)		X 3
(N)		X 6



step6:



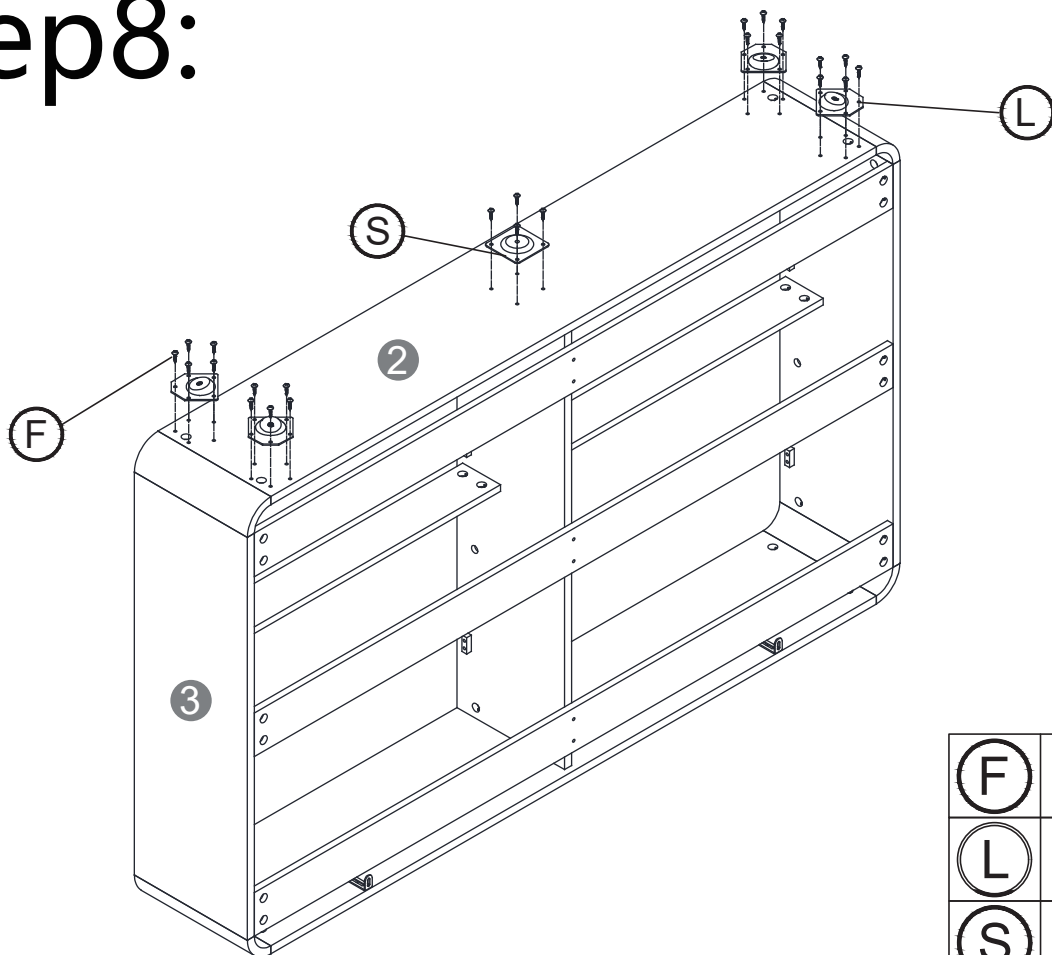
(B)		X 12
(C)		X 4


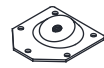

step 7:



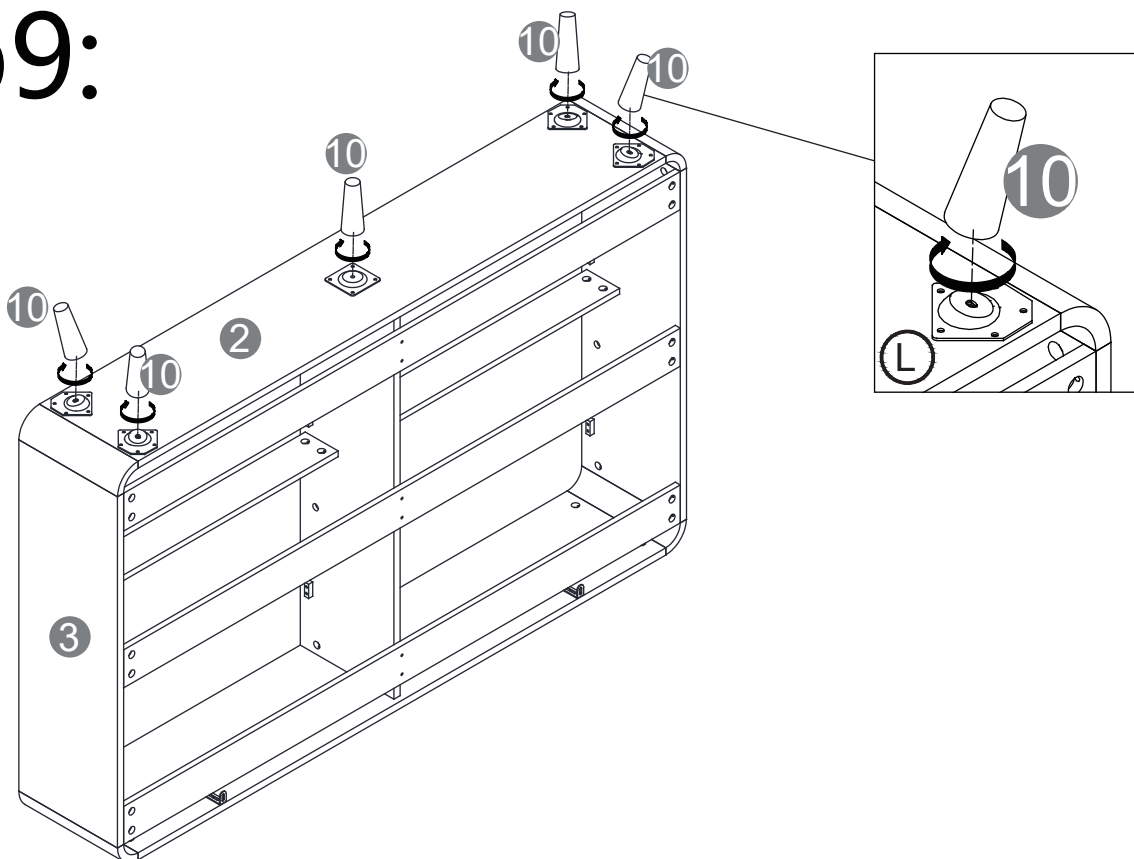
(B)		X 12
(C)		X 4

step 8:

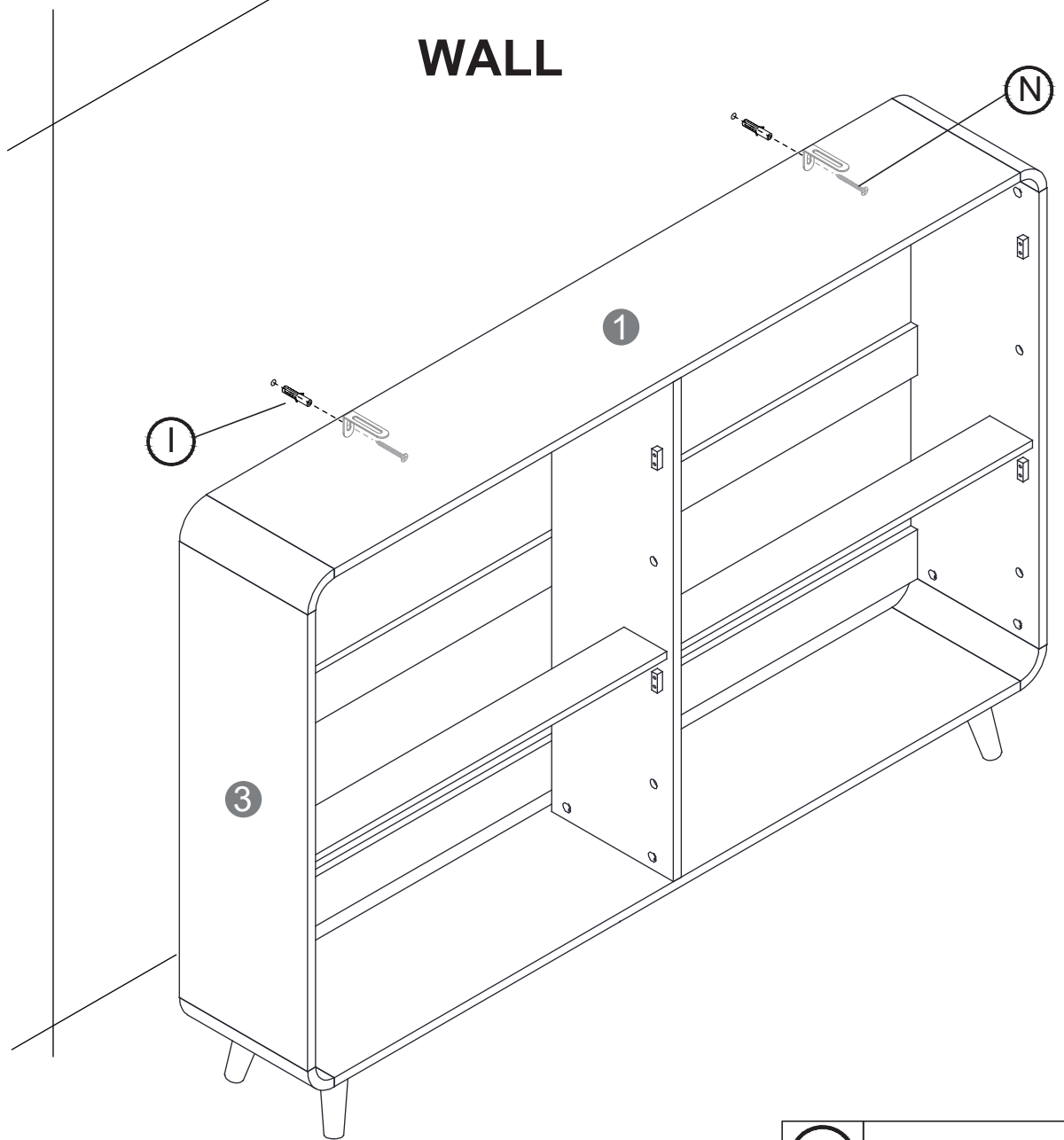
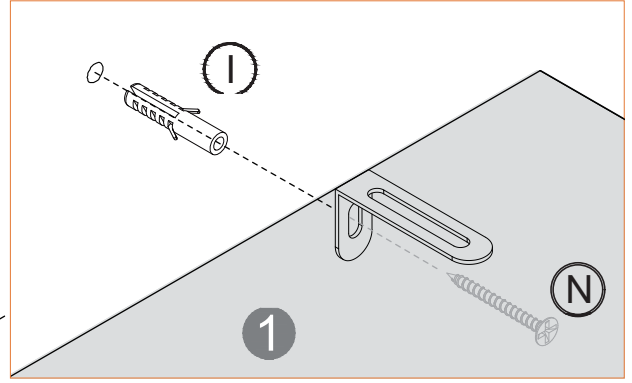




(F)		X 24
(L)		X 4
(S)		X 1

step 9:

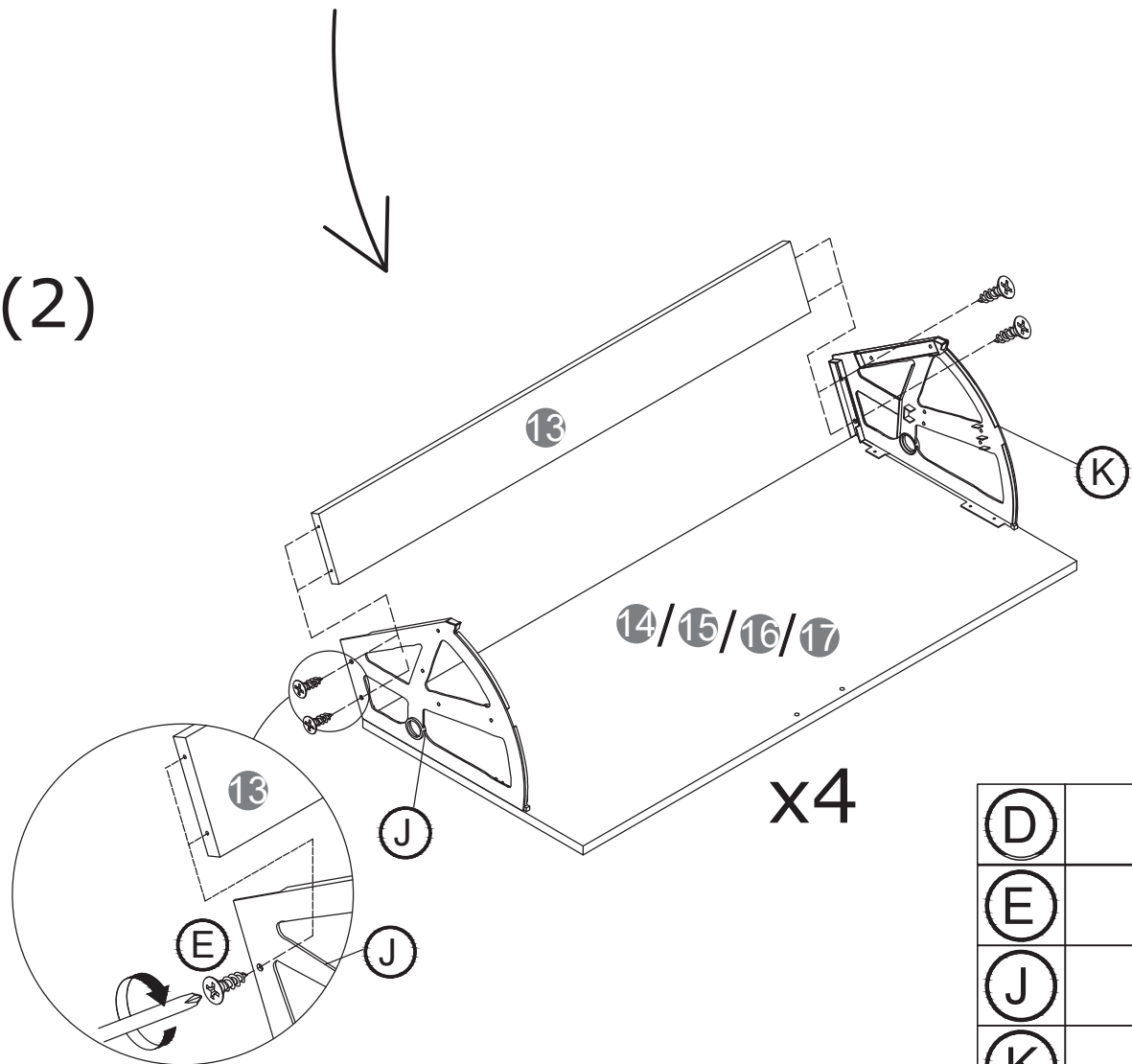
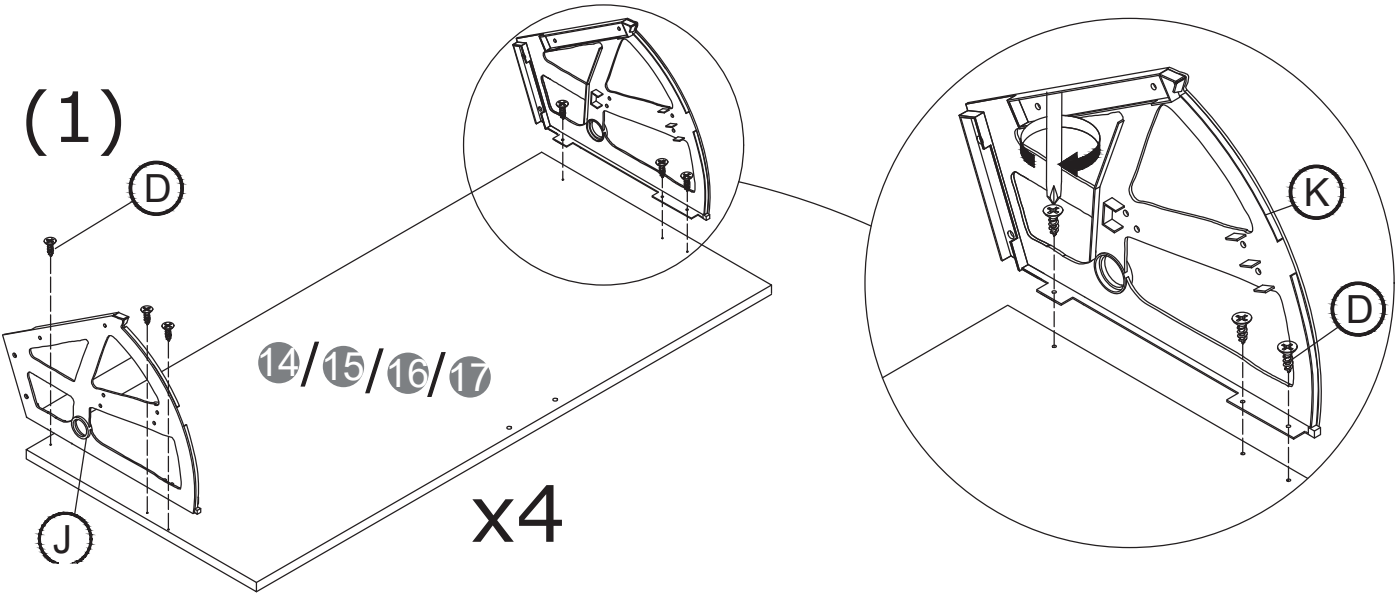


step 10:



I		X 2
N		X 2

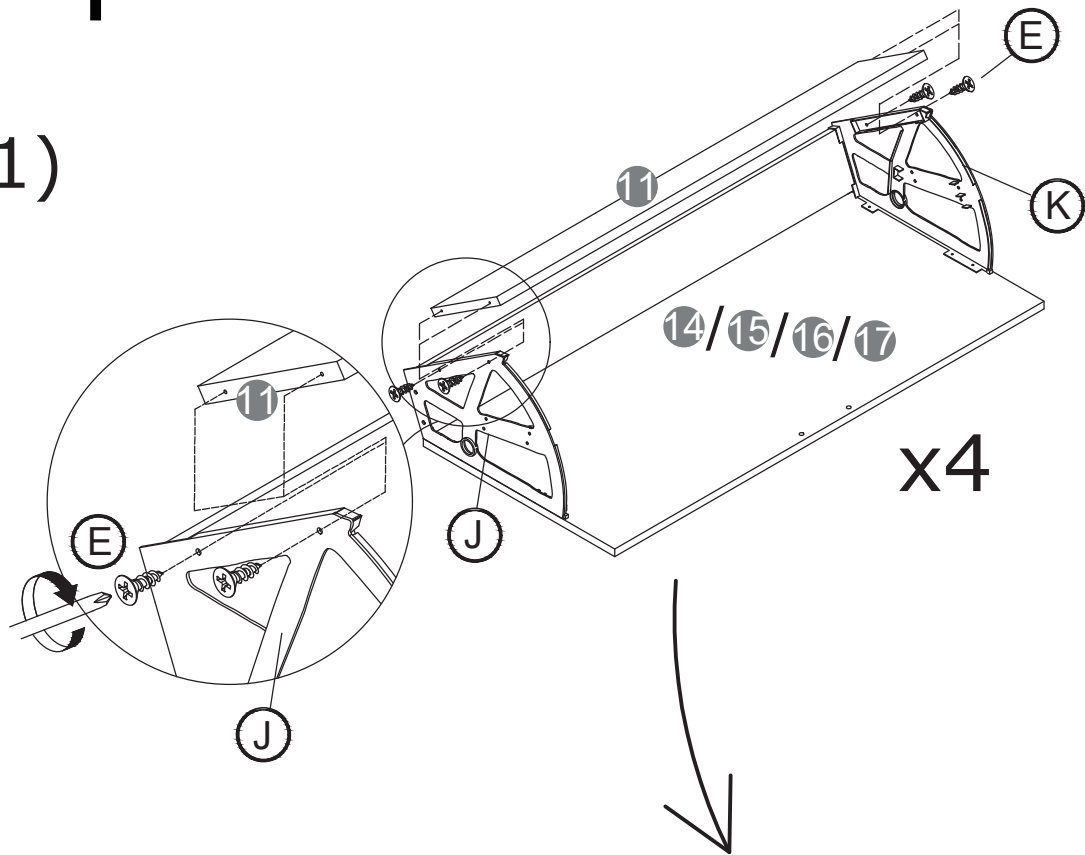
step 11:



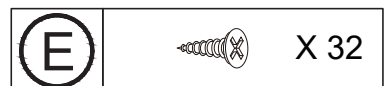
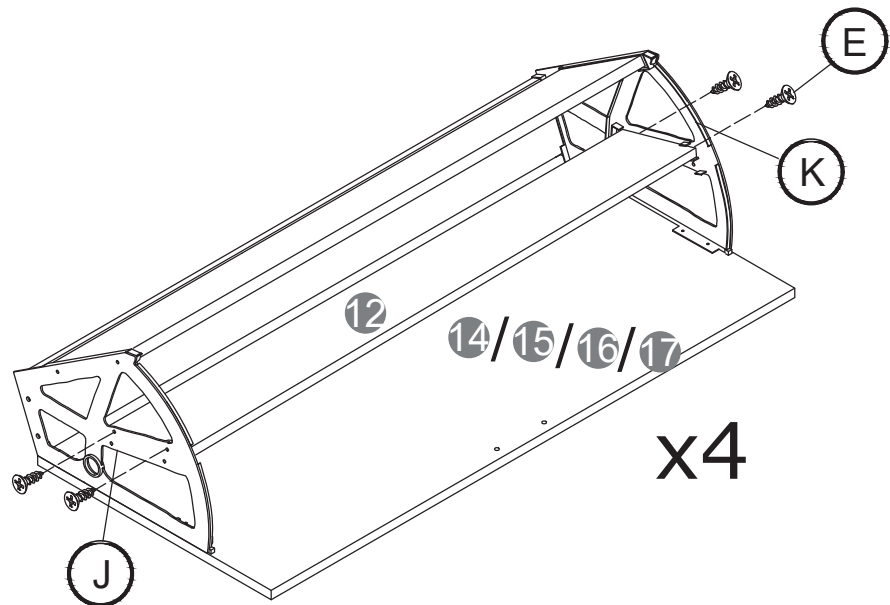
D		X 24
E		X 16
J		X 2
K		X 2

step12:

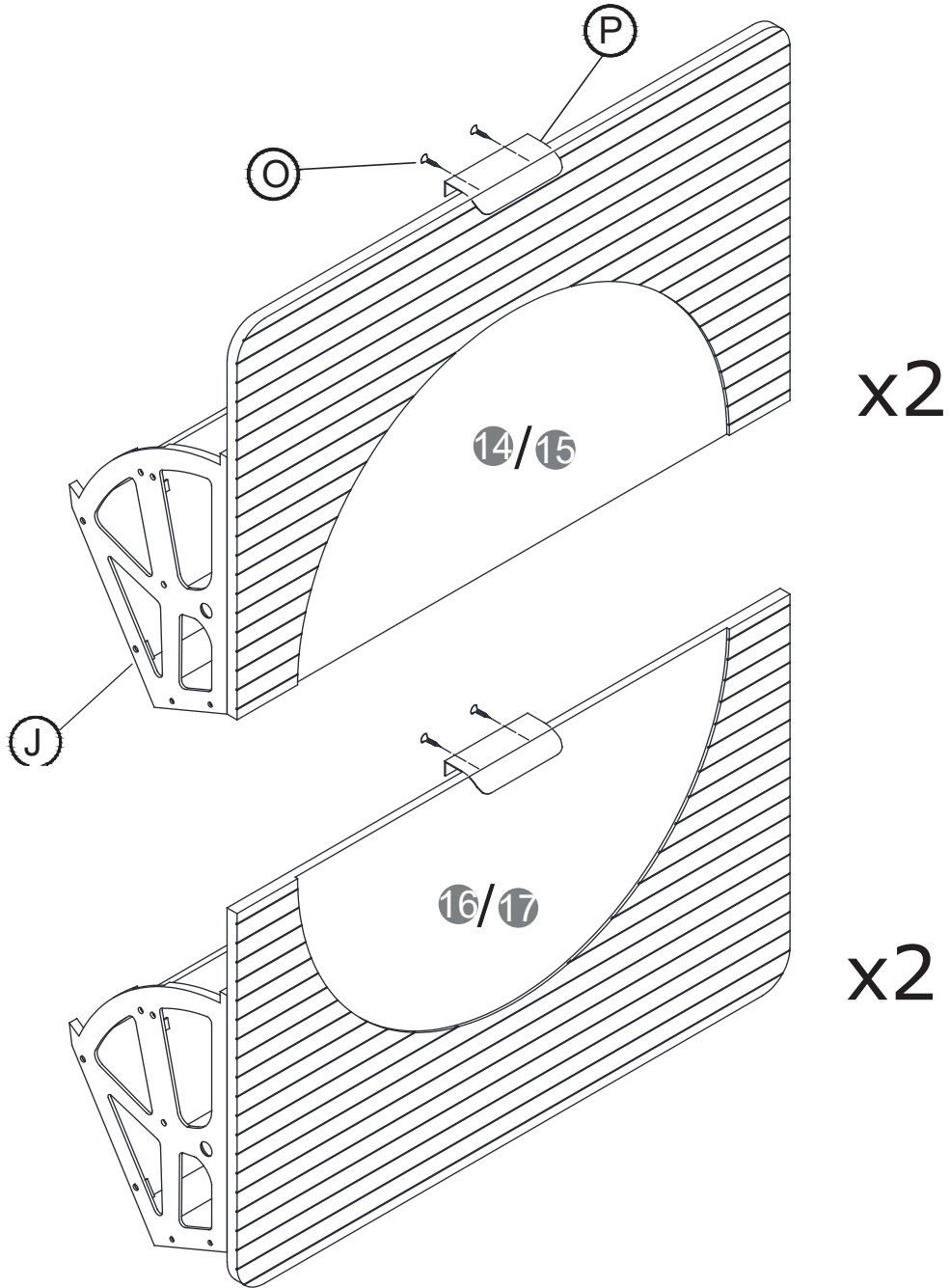
(1)



(2)

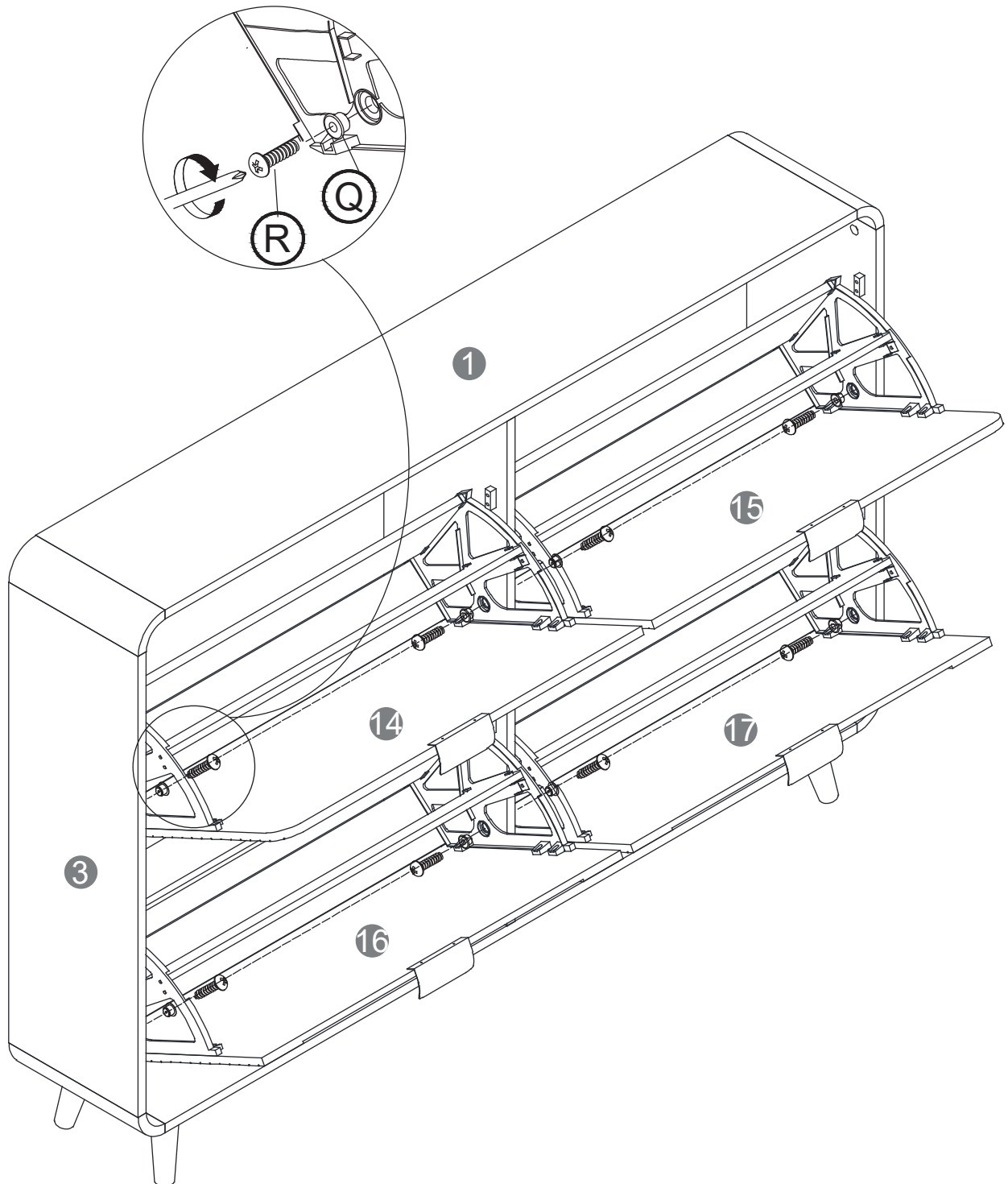




step 13:



		X 8
		X 4

step 14:



(R)		X 8
(Q)		X 8