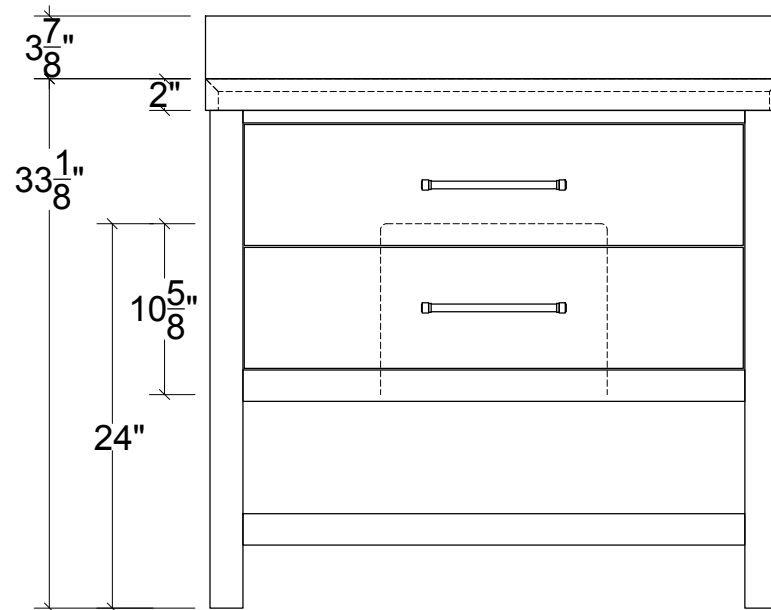
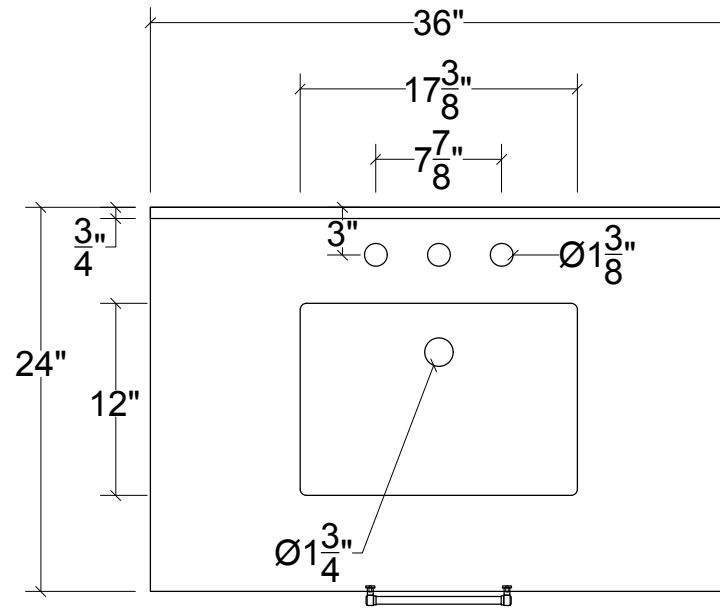
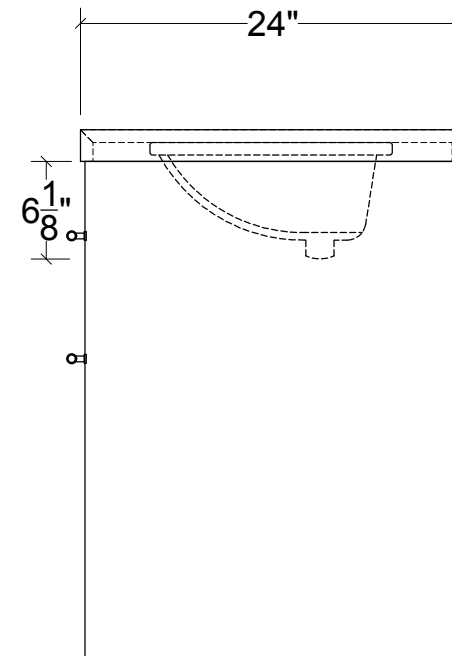


PLAN VIEW



FRONT ELEVATION



SIDE ELEVATION