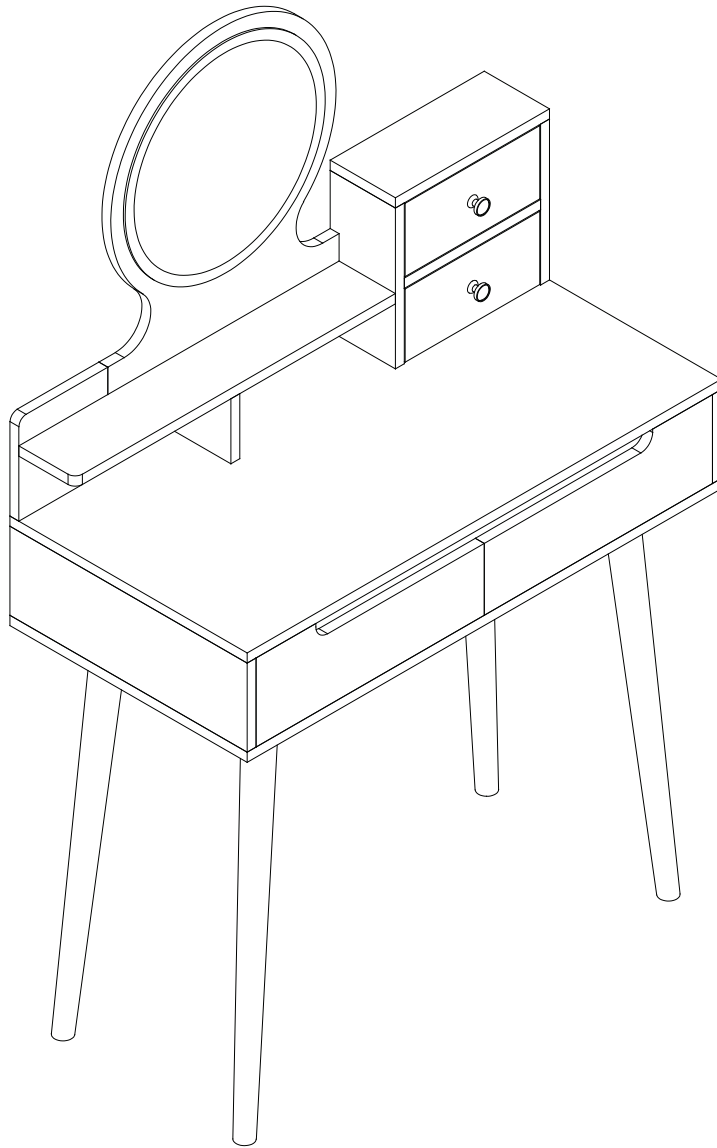


ASSEMBLY INSTRUCTION



IMPORTANT:

PLEASE READ INSTRUCTION BEFORE STARING THE ASSEMBLY

PLEASE DO NOT RETURN TO STORE



**Please do not return this product to the retailer!!
We are able to assist you in ANY way**

If you find that you have any trouble with assembly or missing or damaged parts please contact the seller.

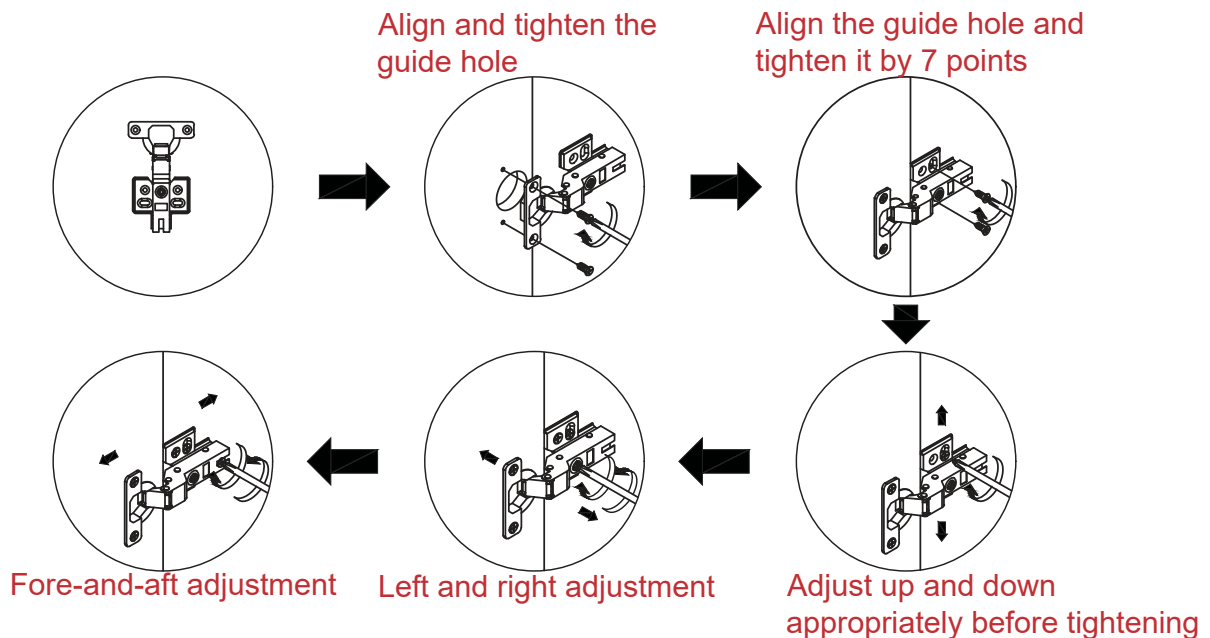
Before Installation

Important-Please read these instructions fully before starting the assembly

Thank you for purchasing this quality product. Be sure to check all packing materials carefully for small parts, which may have come loose inside the carton during shipment. Identify and count all items according to the PARTS LIST and/or HARDWARE LIST shown below. Check you have all the components and tools listed on the following pages.

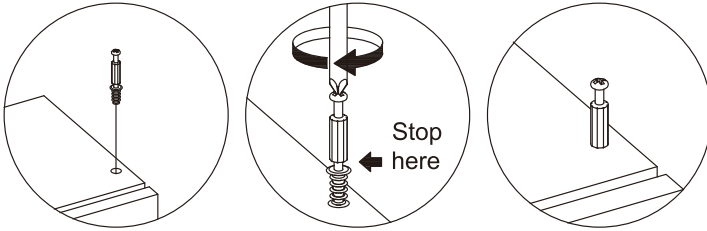
- We recommend that you assemble this product with the assistance of another person; this will make the assembly easier, and will help eliminate damage to the product or injury to persons during assembly.
- Please do not over tighten screws or bolts until the assembly is completed.
- Keep children and animal away from the work area, small parts could choke if swallowed. Please put all parts on a non-abrasive floor before assembly, and follow the assembly steps to assemble your newly purchased product correctly and efficiently.

Hinge installation method



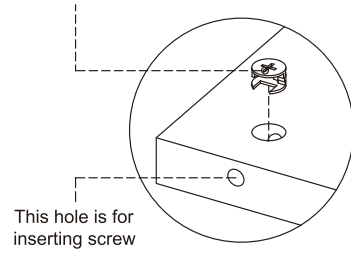
1. Screw installation method

When the screw is installed, please keep it in line with the board, and do not tighten it too tightly

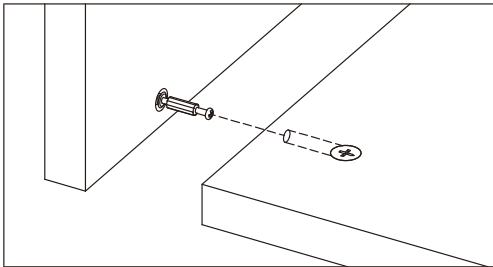


2. Check the direction of the nut

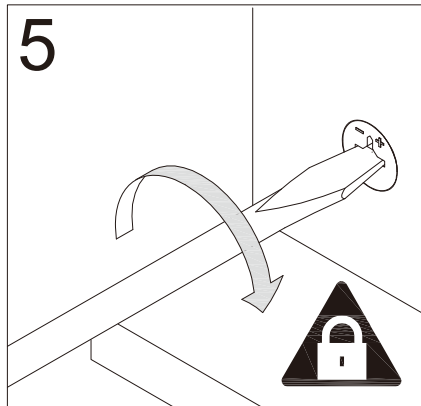
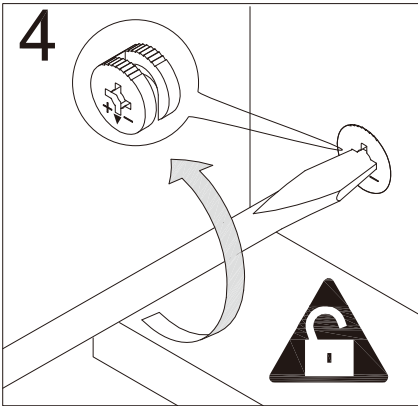
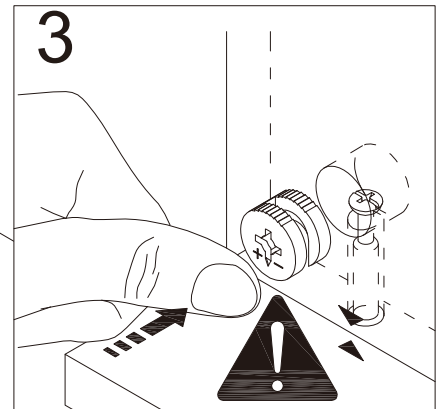
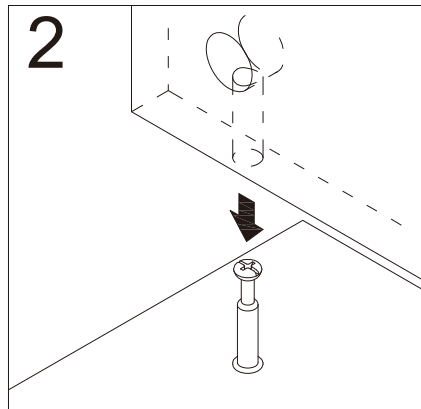
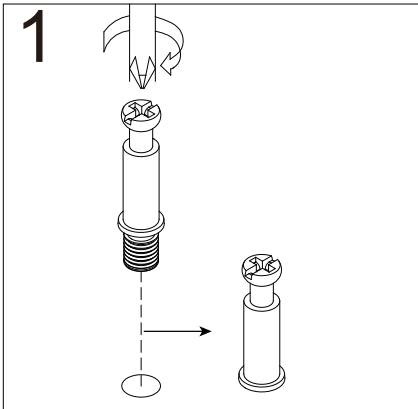
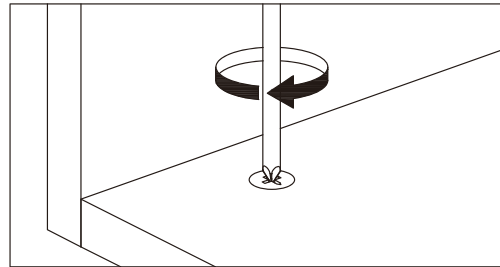
This direction of the marked nut is consistent with the direction in which the screw is inserted

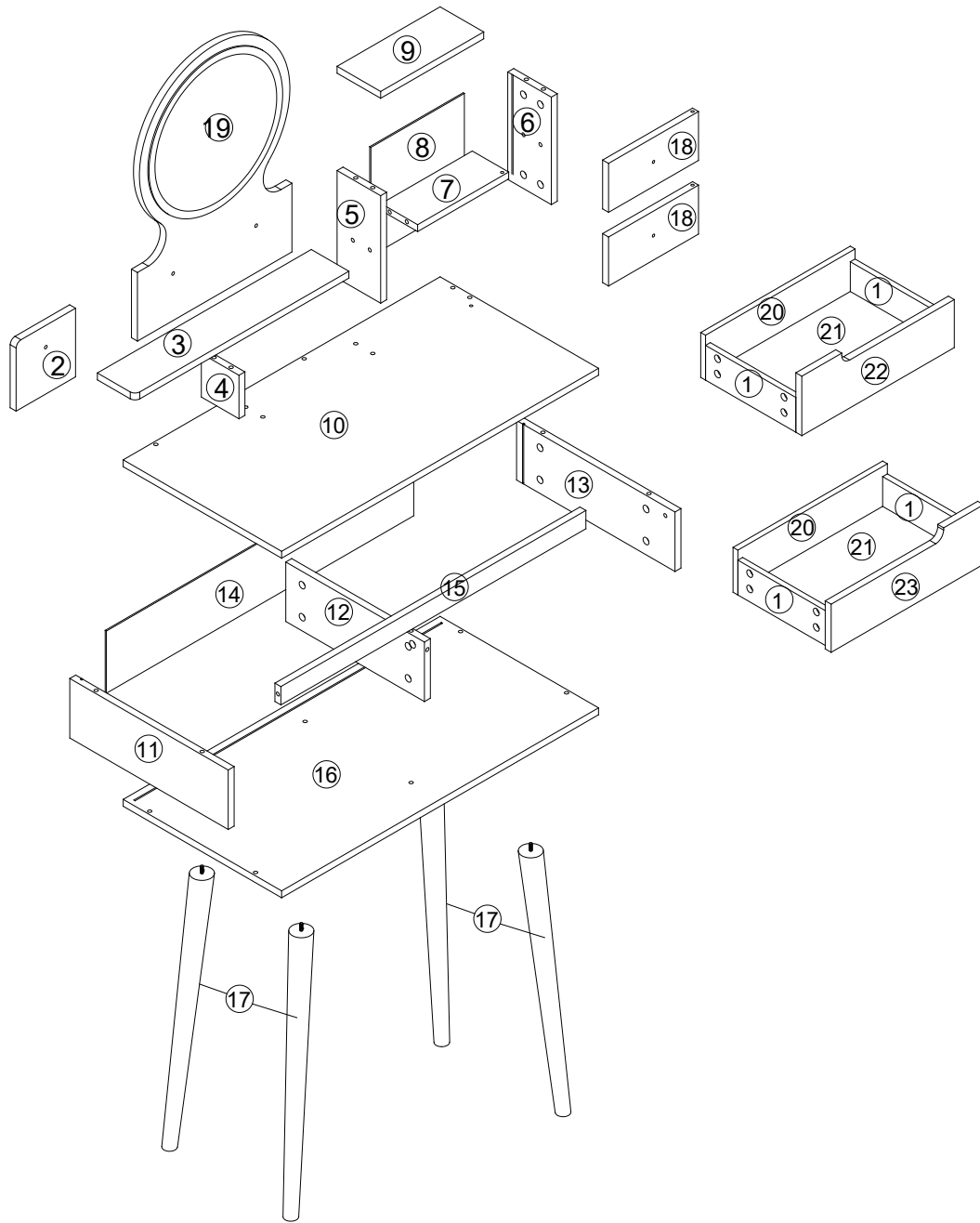


3. Installation on the board with fixing screws



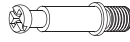
3. Rotate slowly until it stops





1 - x4	6 - x1	11 - x1	16 - x1	21 - x2
2 - x1	7 - x1	12 - x1	17 - x4	22 - x1
3 - x1	8 - x1	13 - x1	18 - x2	23 - x1
4 - x1	9 - x1	14 - x1	19 - x1	
5 - x1	10 - x1	15 - x1	20 - x2	

HARDWARE



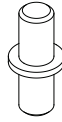
A	SCREW & PLASTIC LOCK	x52
---	----------------------	-----



B	SCREW & METAL LOCK	x52
---	--------------------	-----



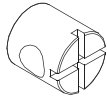
C	SCREW	x4
---	-------	----



D	DOOR SHAFT	x6
---	------------	----



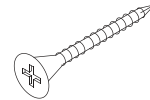
E	HANDLE	x2
---	--------	----



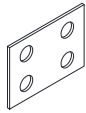
K	SCREW	x3
---	-------	----



L	SHAKE HANDS	x2
---	-------------	----

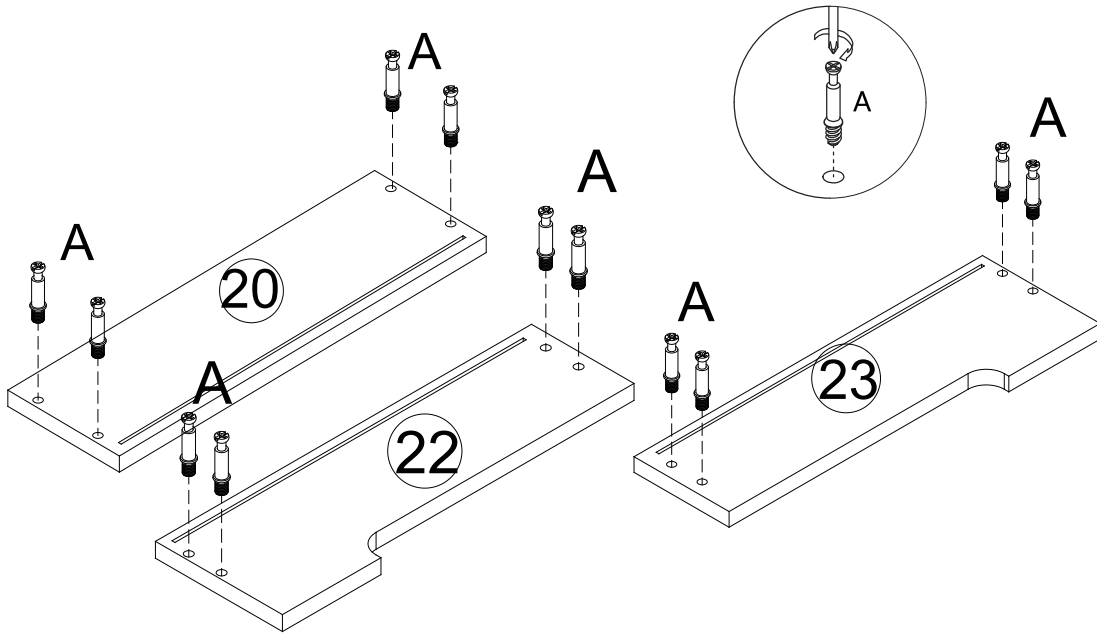


J	SCREW	x3
---	-------	----

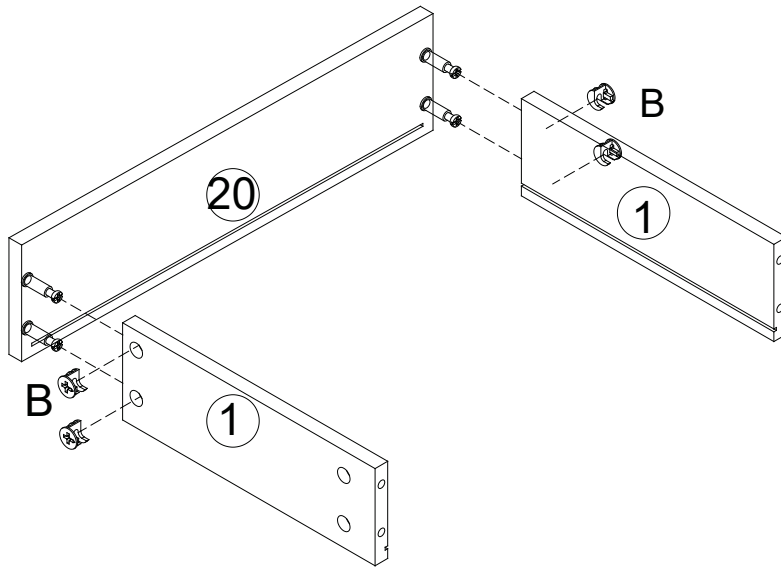


M	SOCKET	x1
---	--------	----

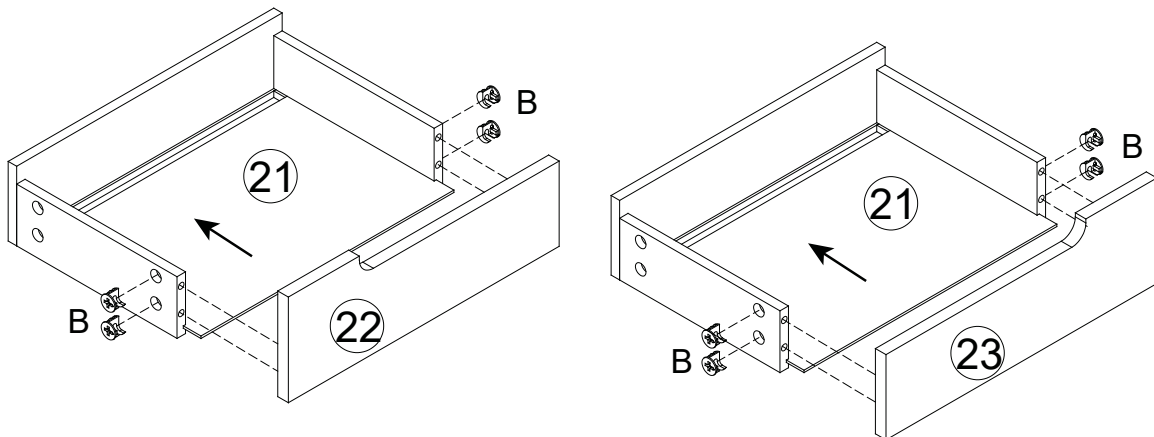
Step1



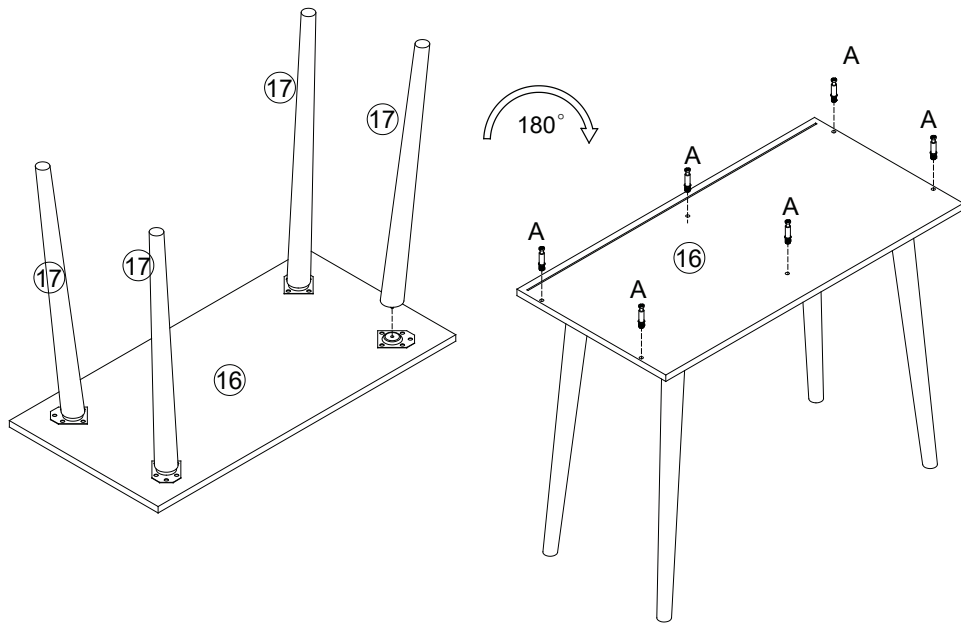
Step2



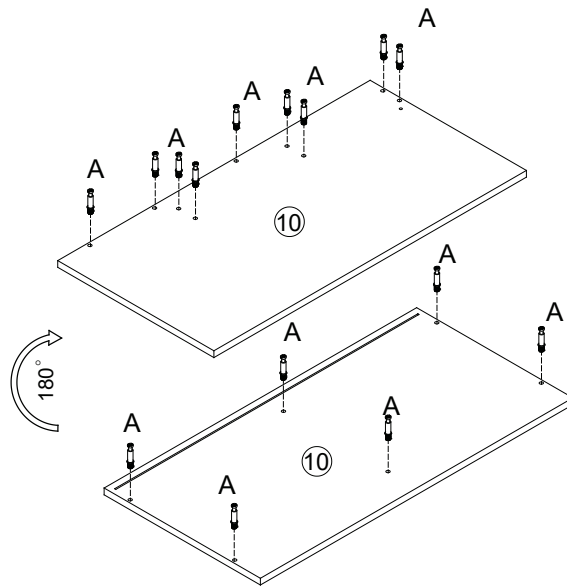
Step3



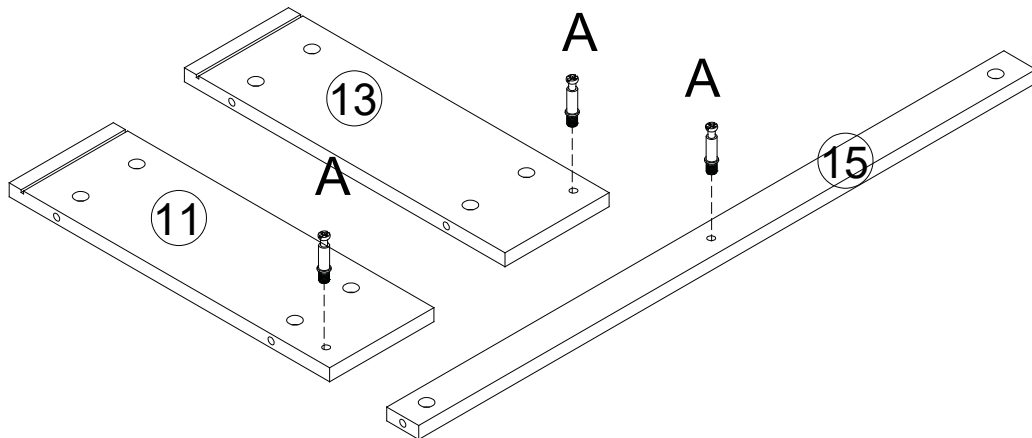
Step4



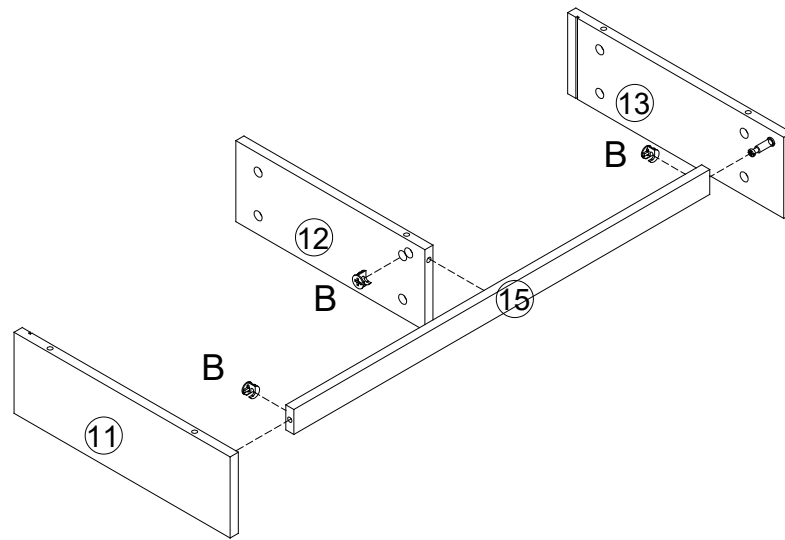
Step5



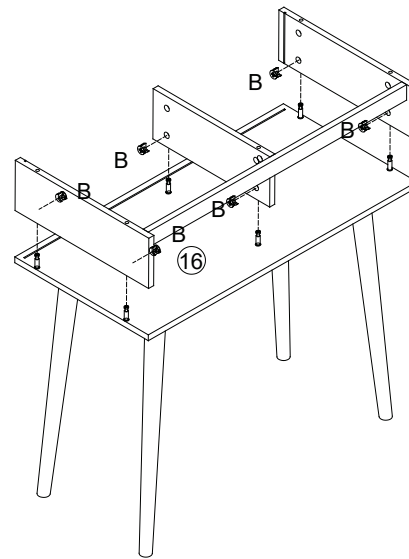
Step6



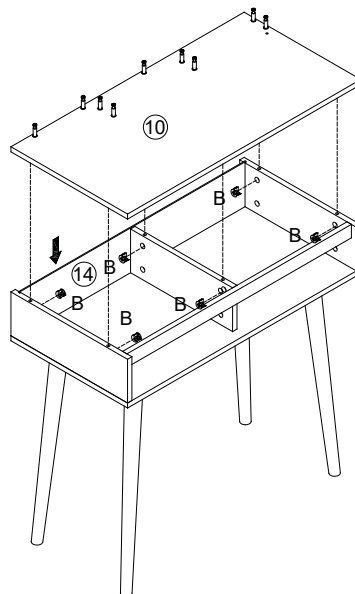
Step7



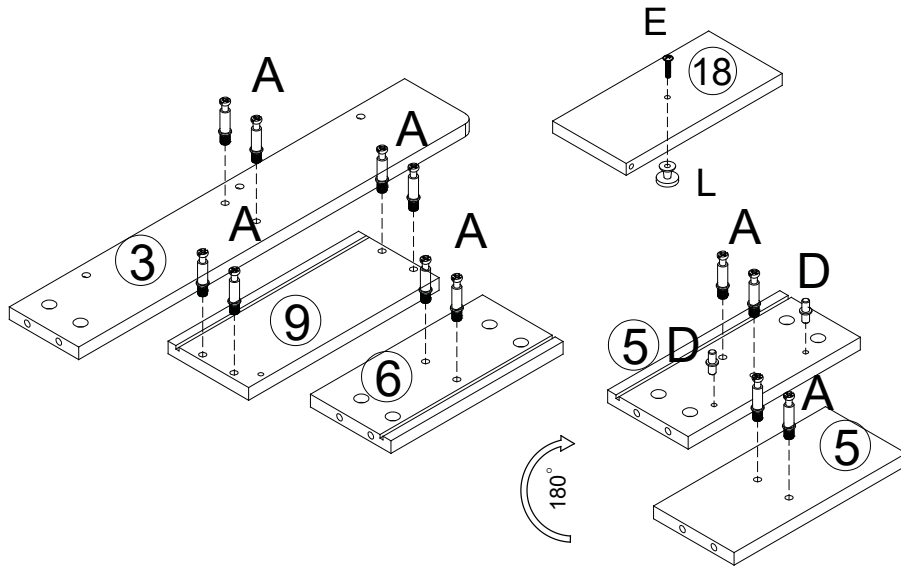
Step8



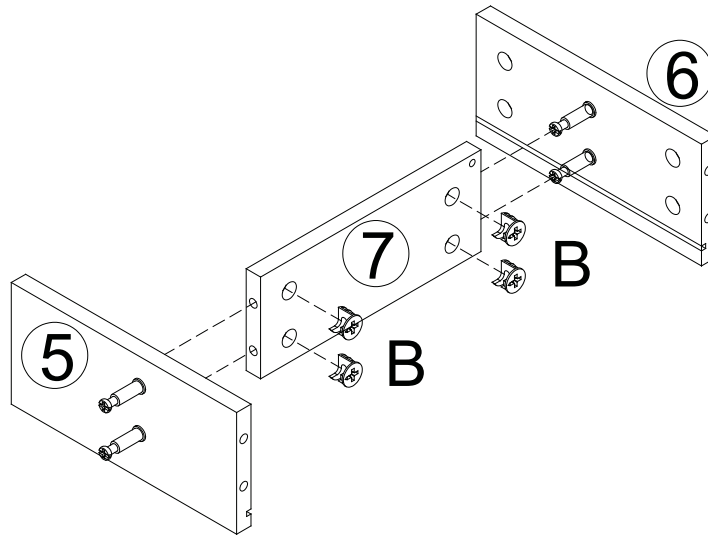
Step9



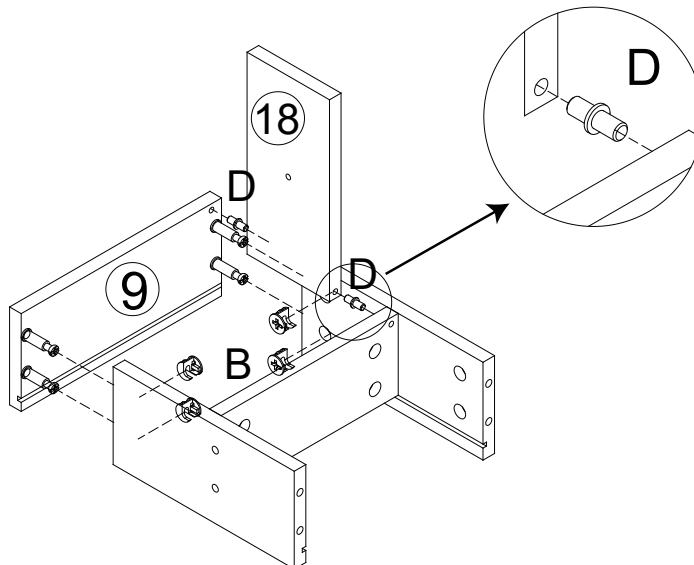
Step10



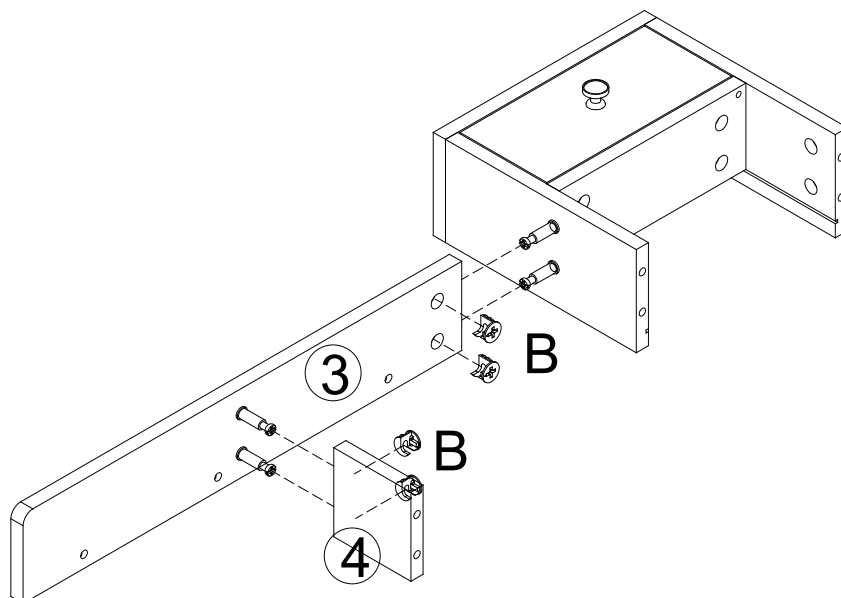
Step11



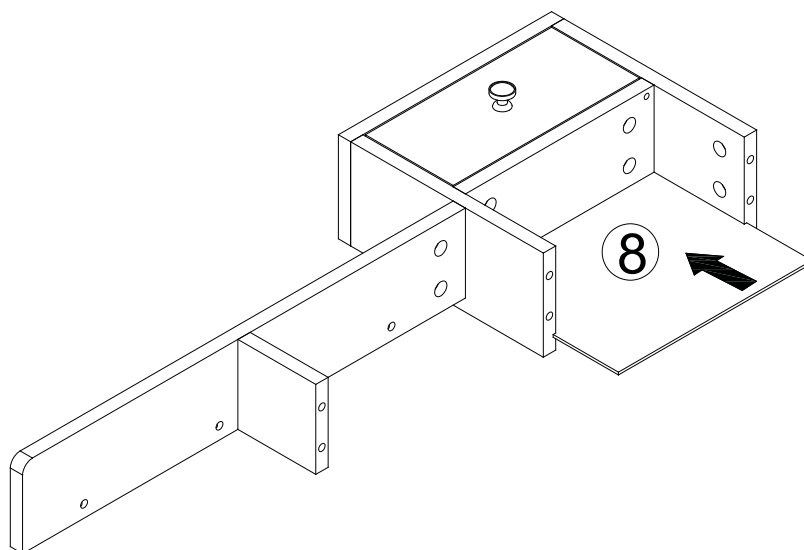
Step12



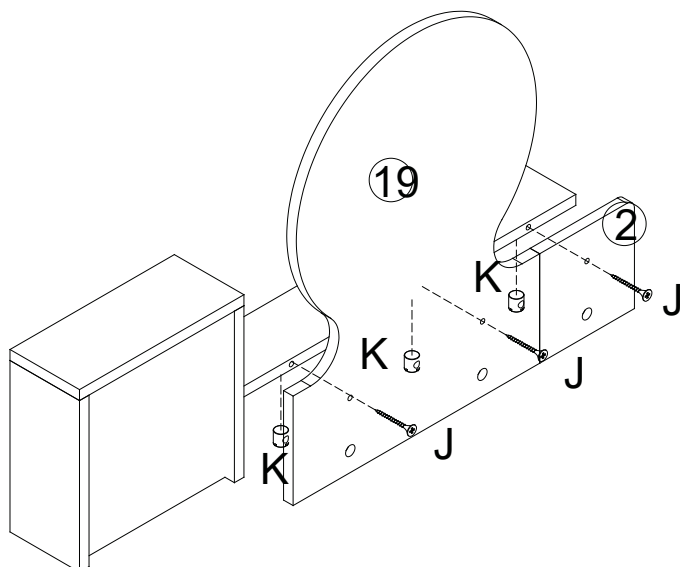
Step13



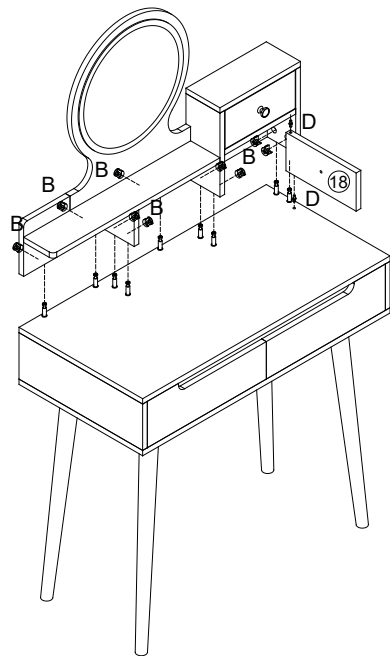
Step14



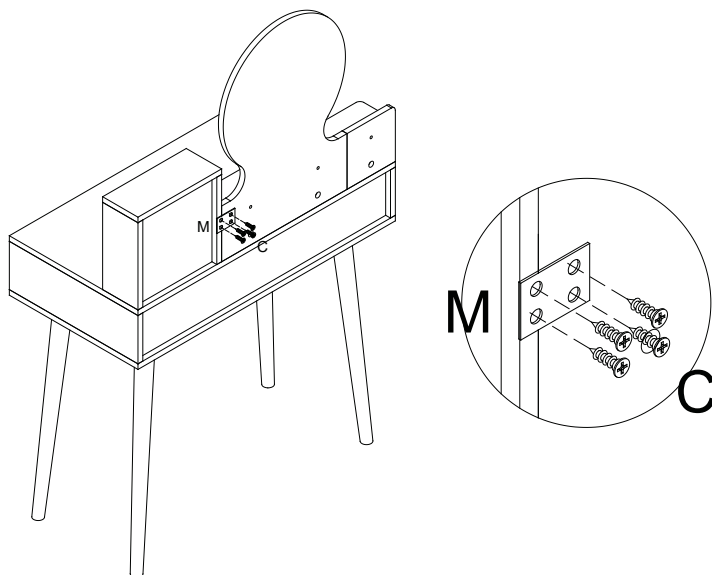
Step15



Step16



Step17



Step18

