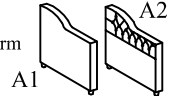
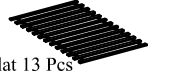

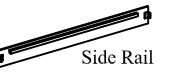

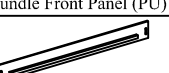
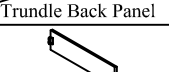



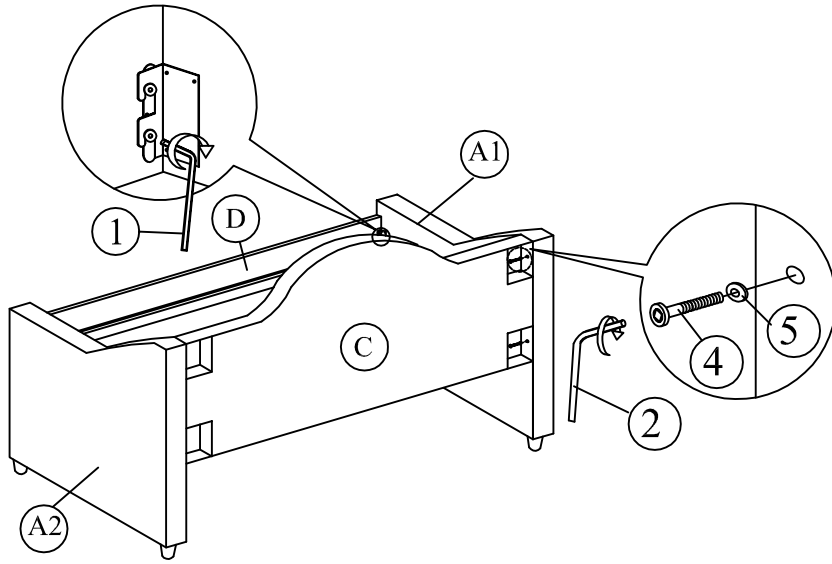
(3')

# ASSEMBLY INSTRUCTION

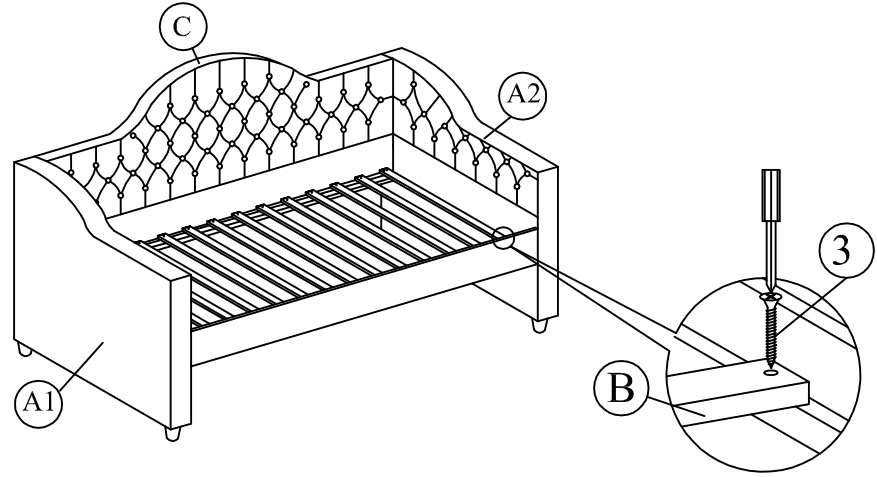
A	Arm A1		2 pcs
B	Slat 13 Pcs		1 pc
C	Back Panel		1 pc
D	Side Rail		1 pc
E	Trundle Front Panel (PU)		1 pc
F	Trundle Back Panel		1 pc
G	Trundle Side Panel		2 pcs
H	Slat 13 Pcs		1 pc

Step 1: Attach the back panel ( C ) to arm ( A ) . Attach side rail ( D ) to arm ( A ) by pushing the bracket down to fit it. Tighten the 4 corner with Allen Key ( 1 )




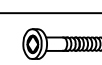

Step 2: Tighten the slats with CSK screw ( 3 ) . The distance of the slats should be sufficient to obtain desirable bed stability.



BACK VIEW

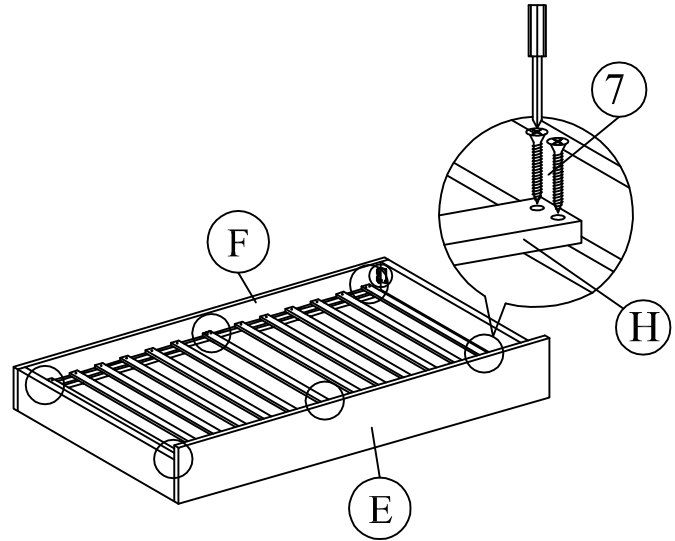
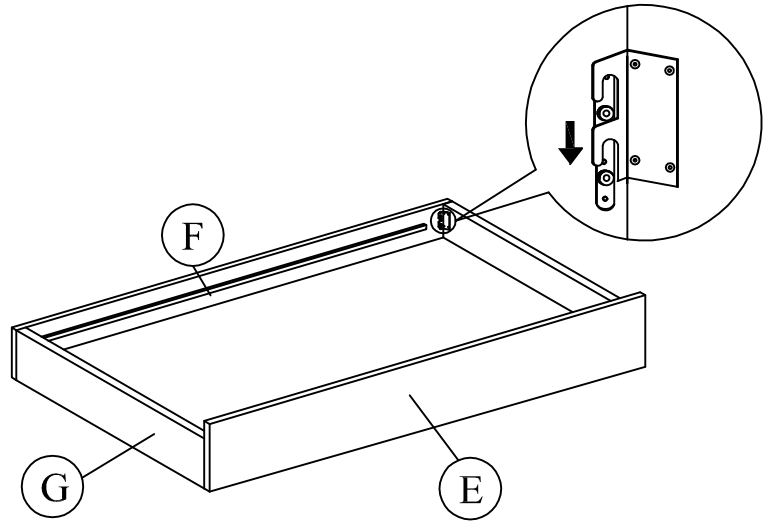


Packing Hardware (1)




1		M5 x 70 mm	1 pc
2		M5 x 65 mm	1 pc
3		CSK M4 x 32mm	32 pcs
4		JCBC M6 X 50	4 pcs
5		FLAT WASHER	4 pcs

Step 3: Attach trundle side panel ( G ) and trundle front panel ( E ) to trundle back panel ( F ) by pushing the bracket down to fit it.

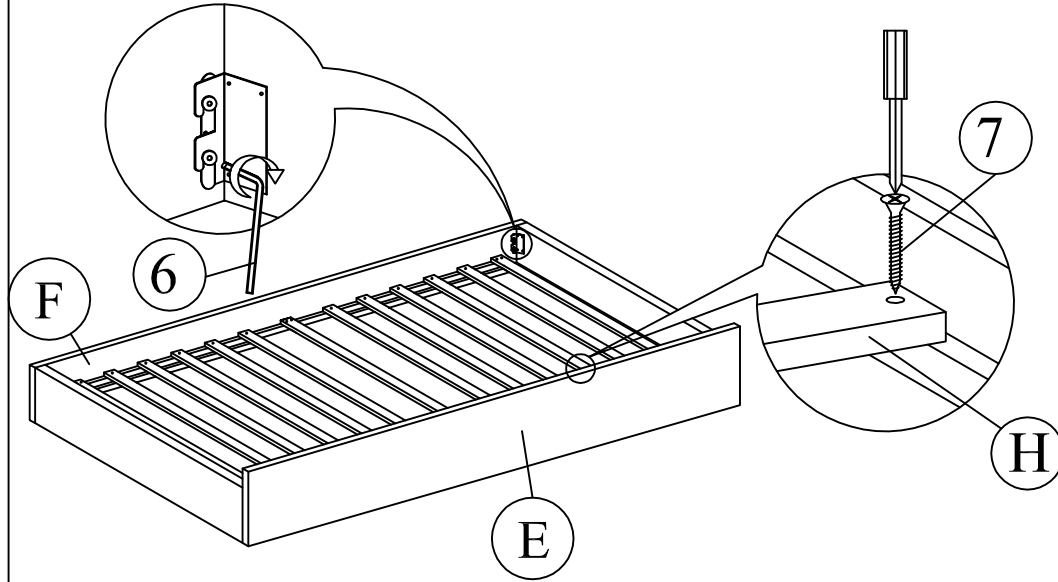
Step 4 :Fix the slat ( H ) to the side rail at ( E ) & ( F ) .



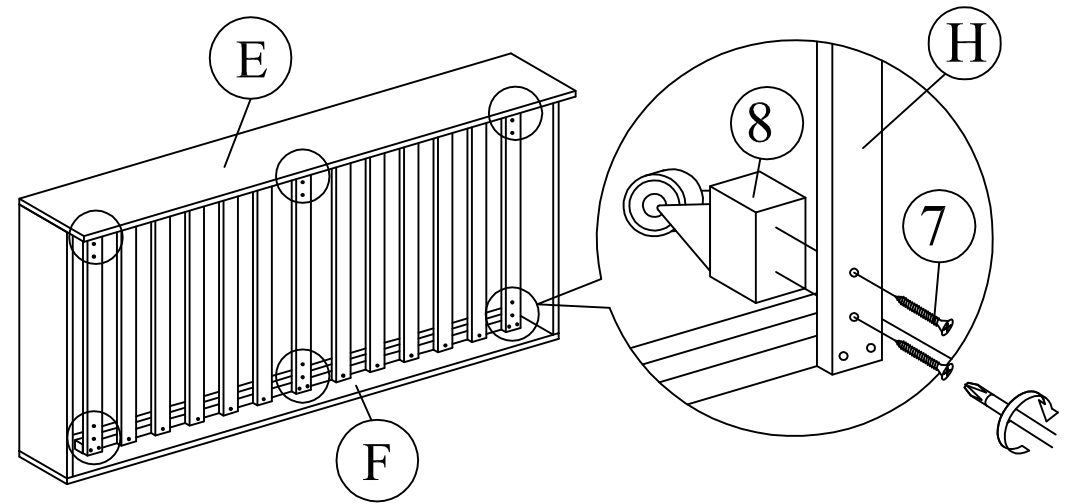
Packing Hardware (2)

6		M5 x 70 mm	1 pc
7		CSK M4 x 32 mm	44 pcs
8		Roller With Wooden	6 pcs

Step 5: Tighten the 4 Corner with Allen Key (3) and fix the slat (H) to the side rail at (E) & (F) .



Step 5: Turn the trundle to another side as below diagram and tighten the roller with wooden (8) at the slat (H) .



Step 6: Assembly is complete

