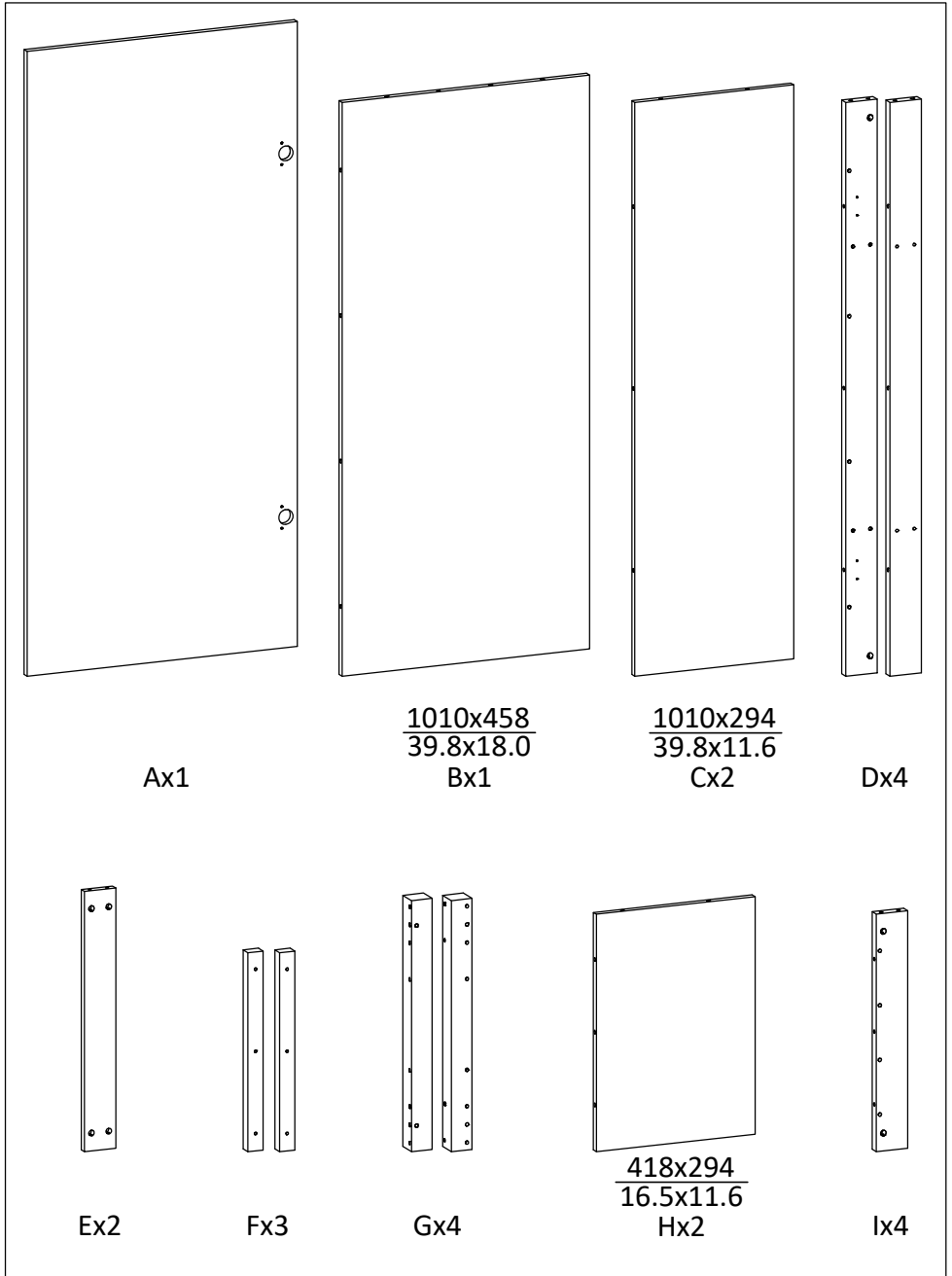
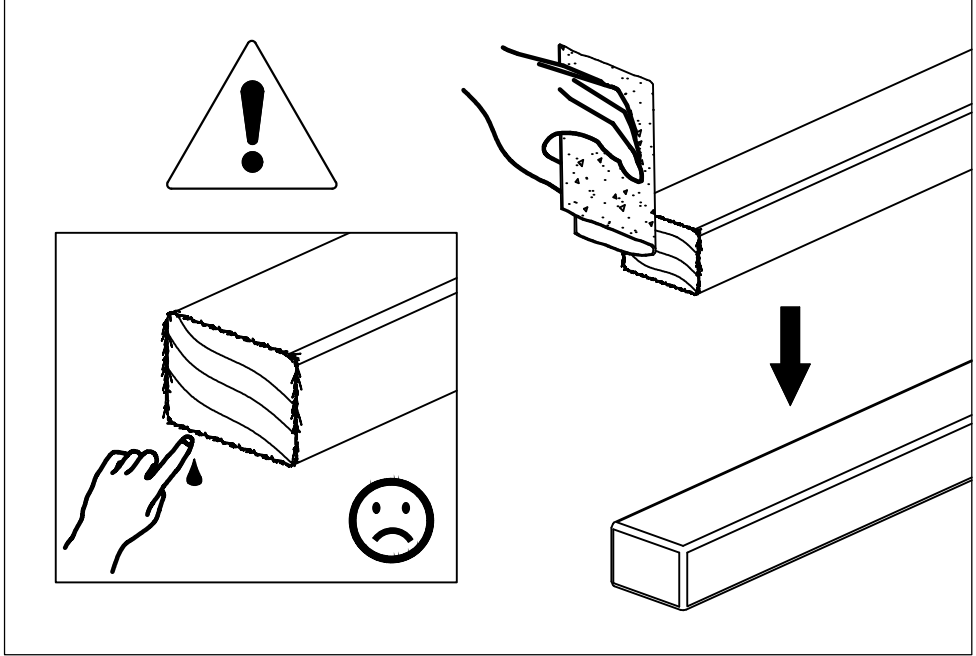
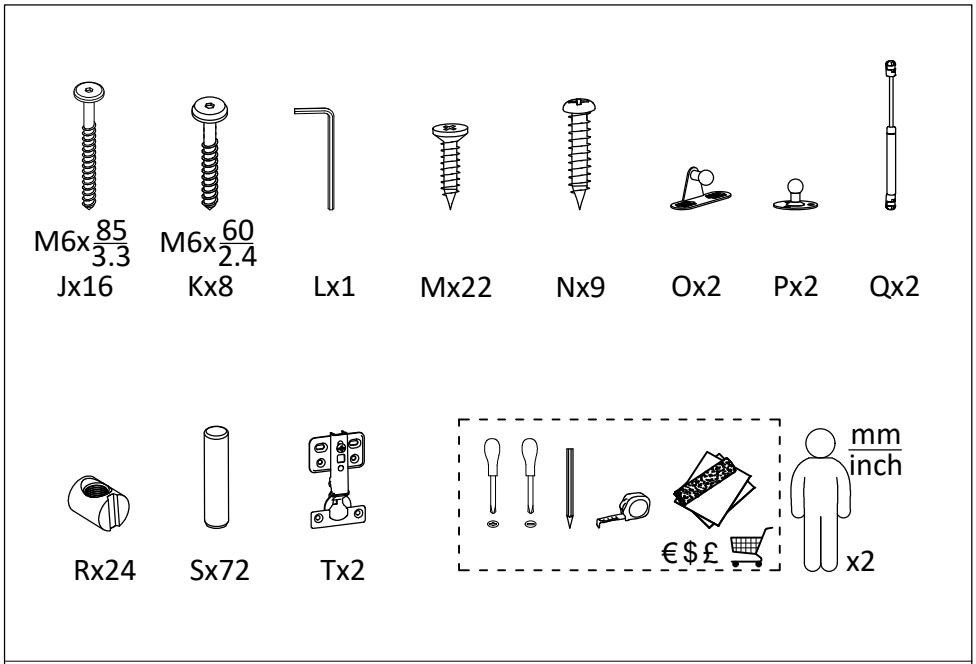
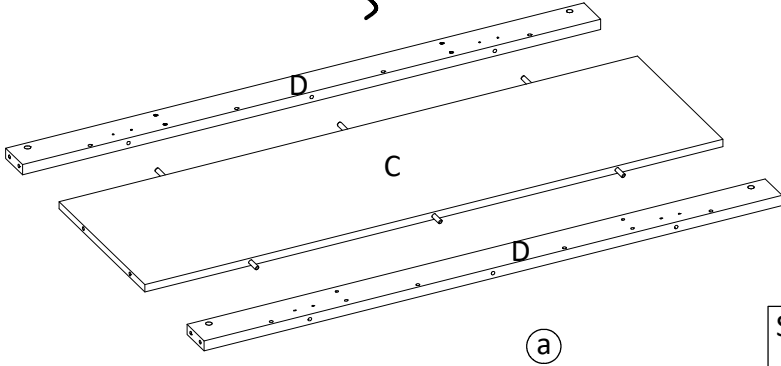
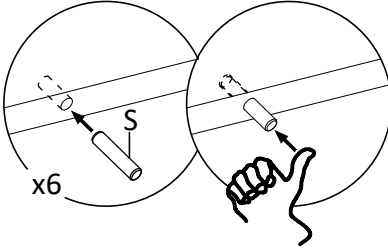


# Installation & Assembly

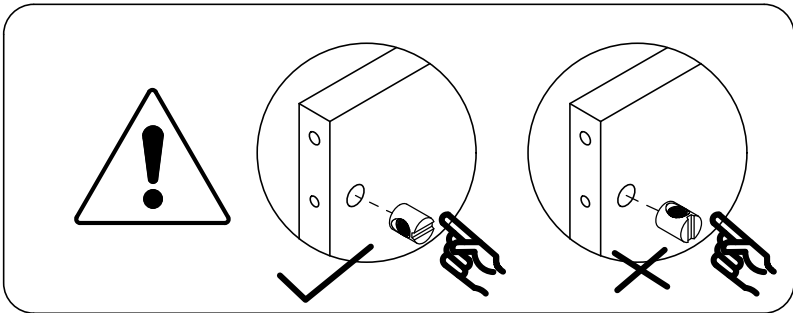
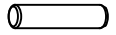




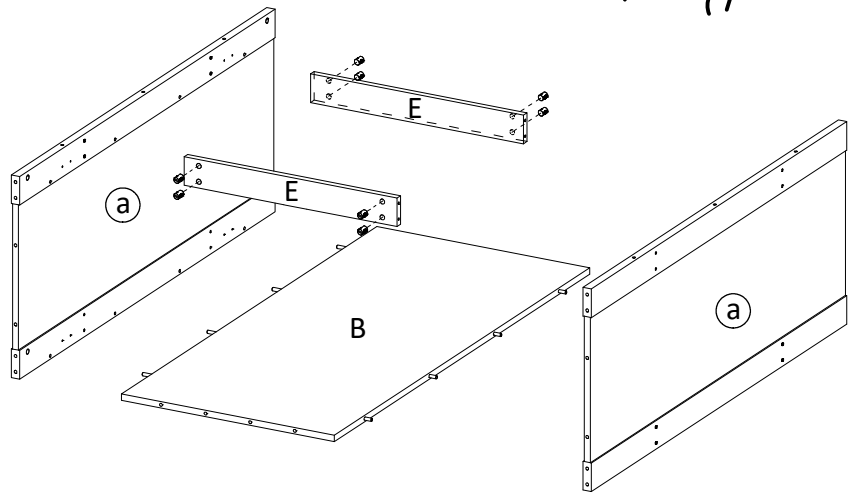
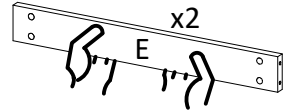
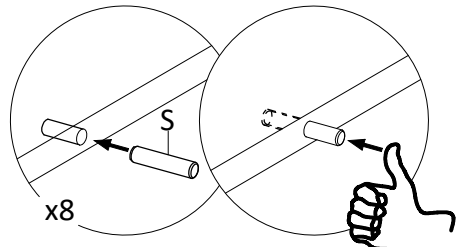
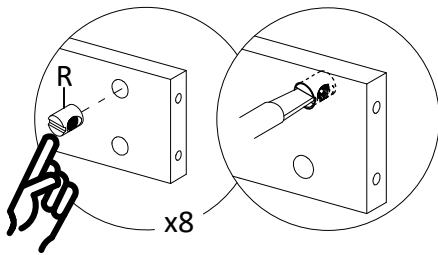
①)x2



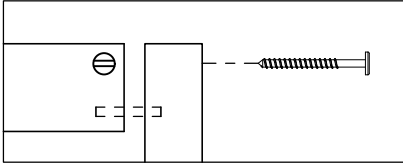
Sx12



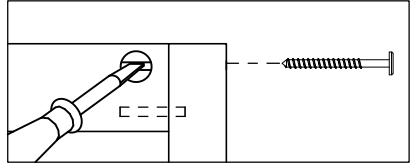
②



Sx8	Rx8

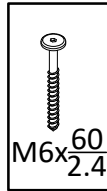


✗

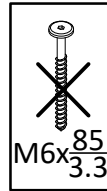


✓

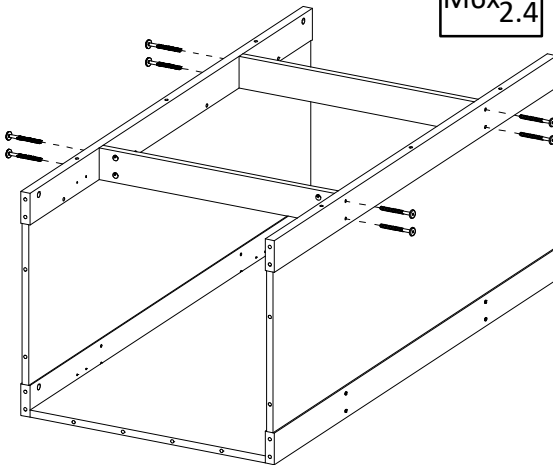
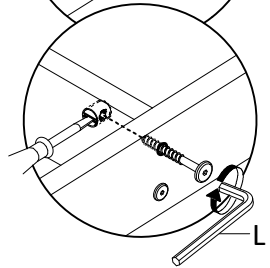
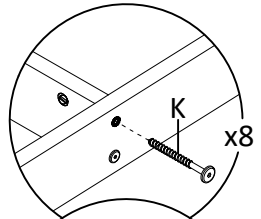
3



M6x $\frac{60}{2.4}$



M6x $\frac{85}{3.3}$



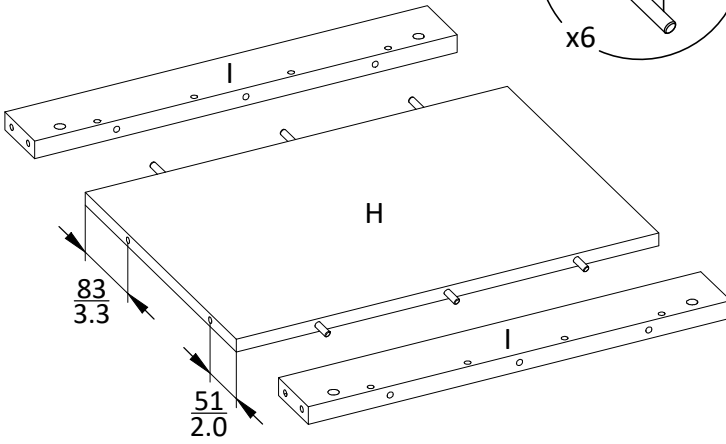
Lx1



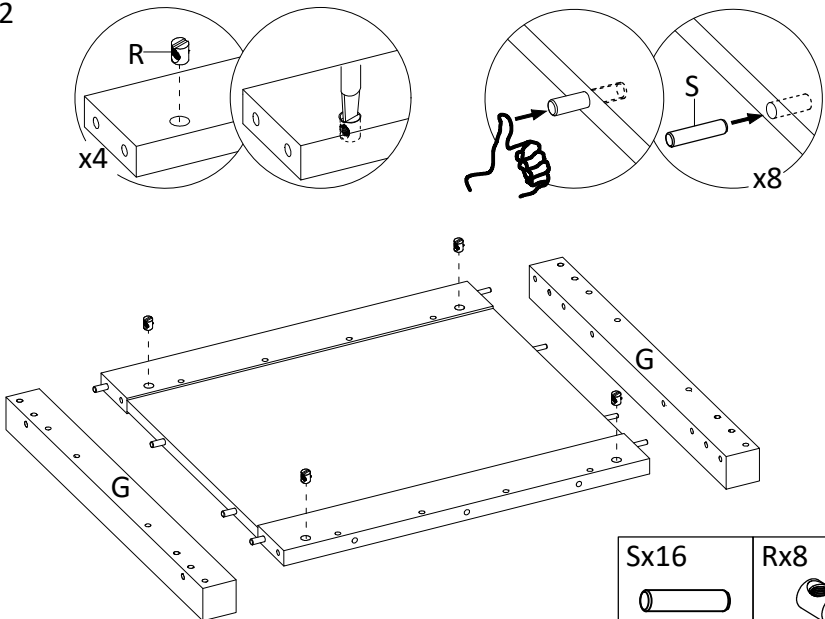
Kx8

M6x $\frac{60}{2.4}$

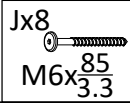
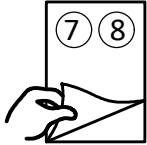
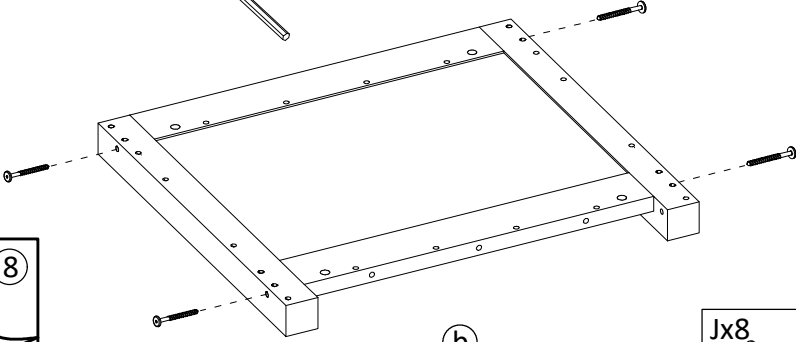
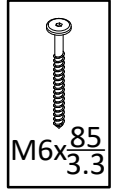
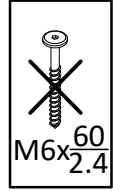
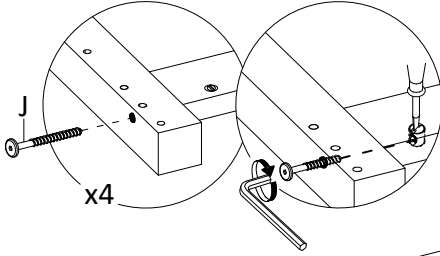
④ x2



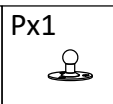
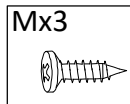
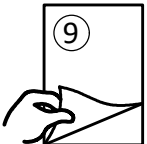
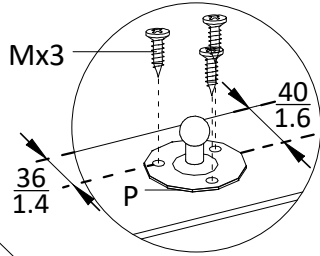
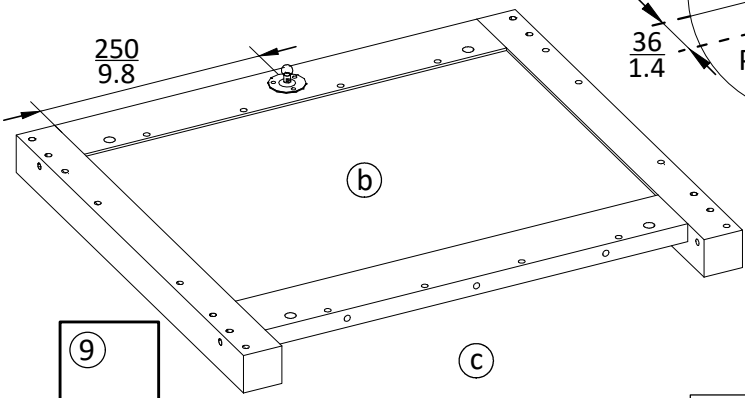
⑤ x2



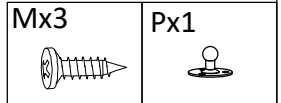
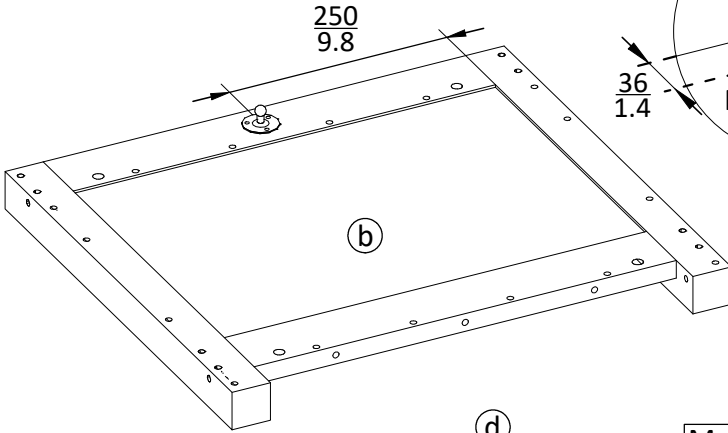
⑥ x2



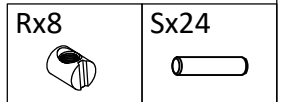
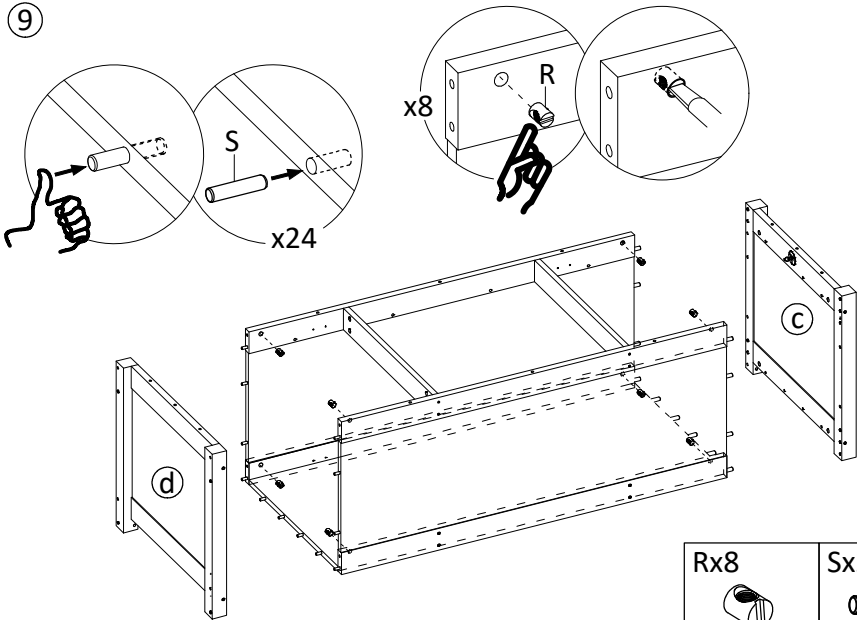
⑦



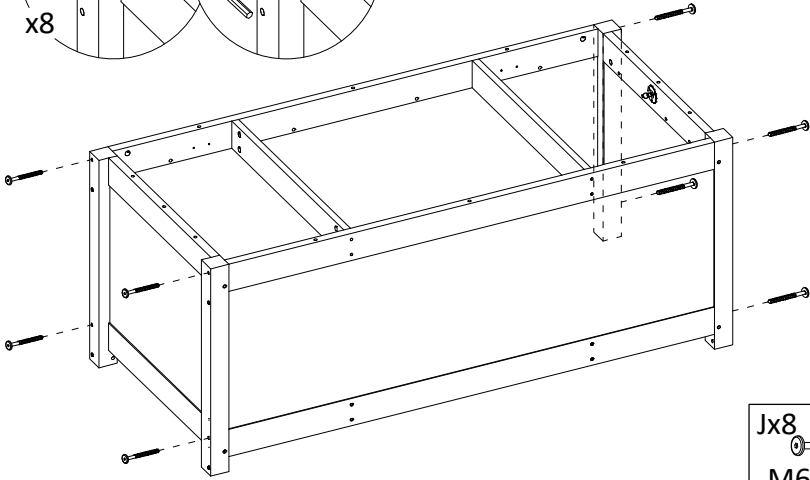
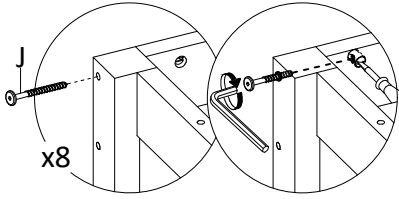
8



9

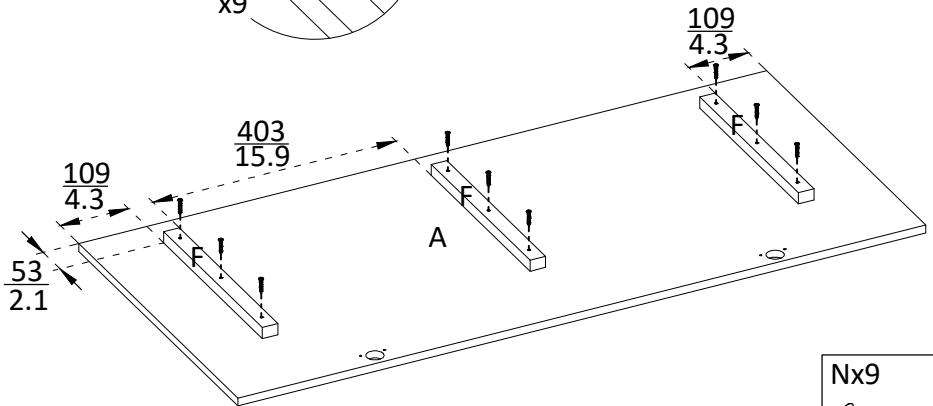
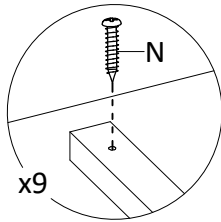


10



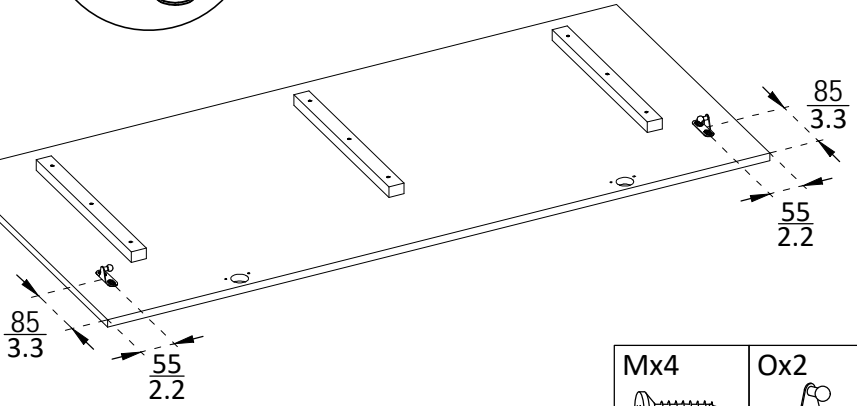
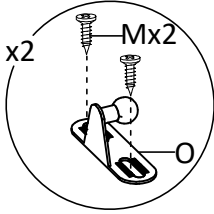
Jx8  
M6x $\frac{85}{3.3}$

11

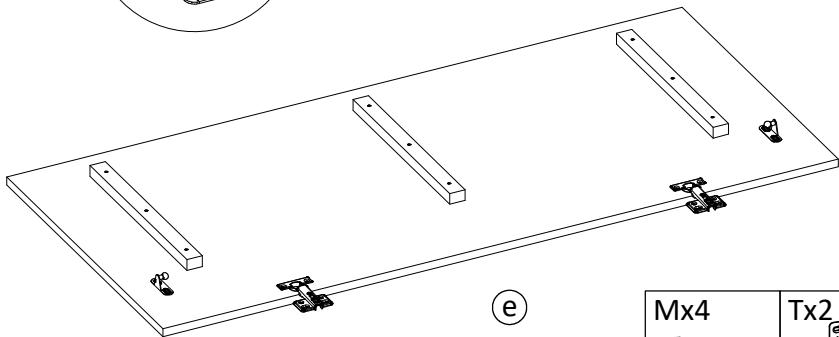
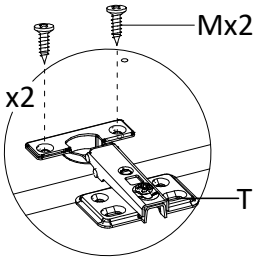


Nx9

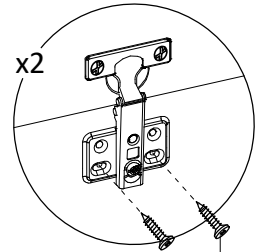
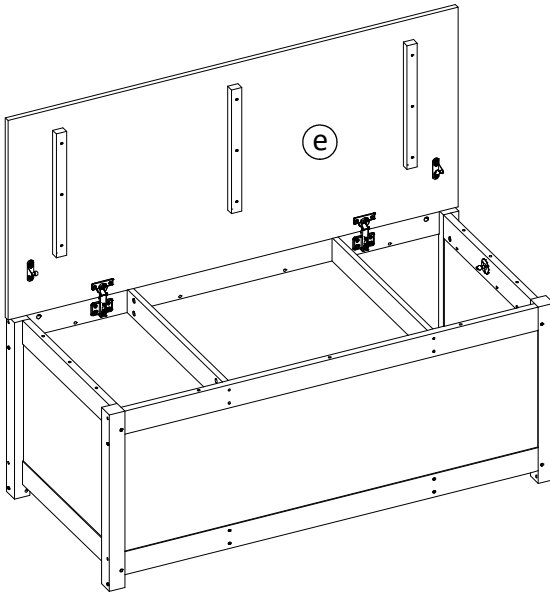
12



13

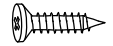


14

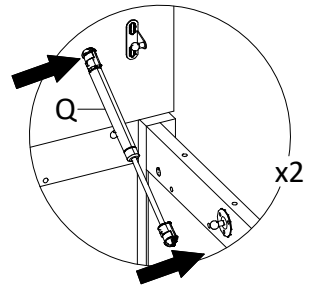
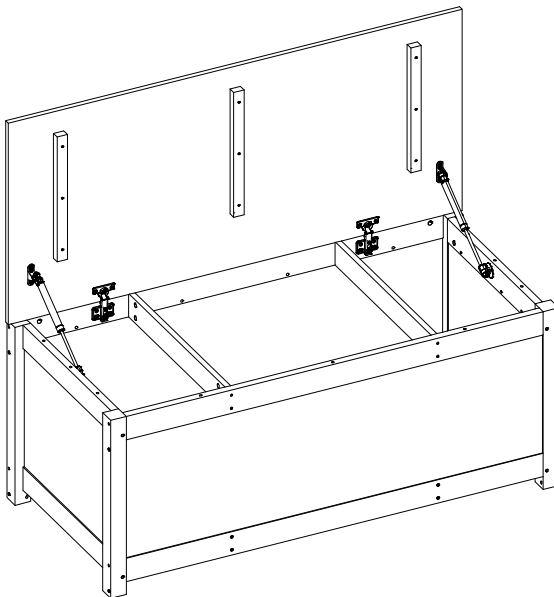


Mx2

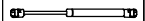
Mx4

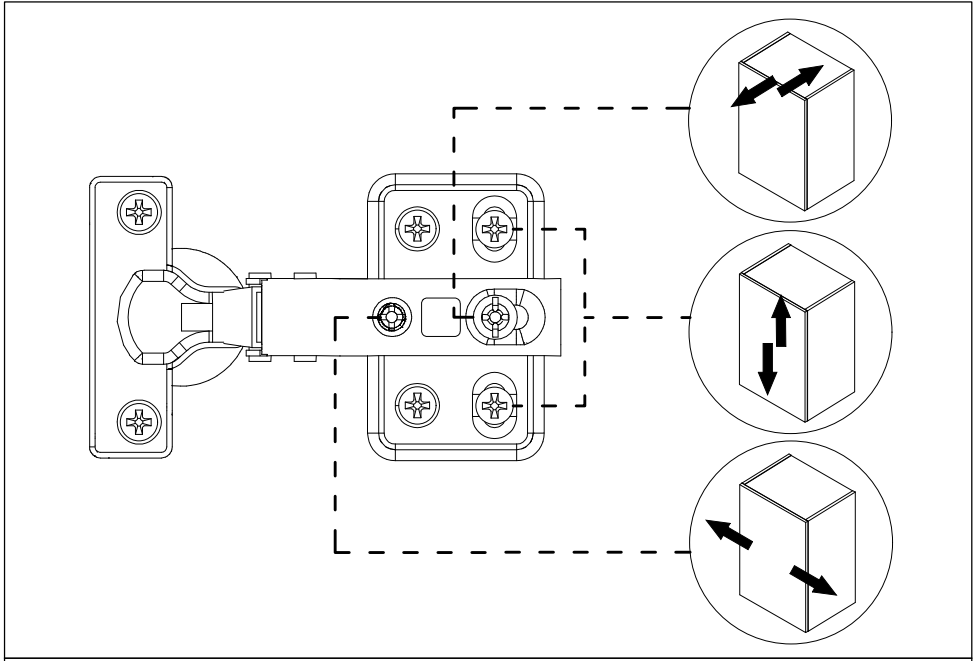


15

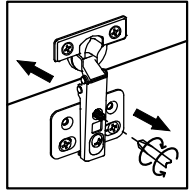
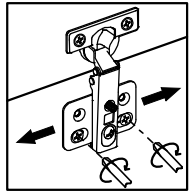
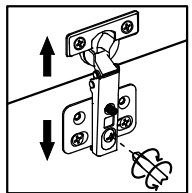
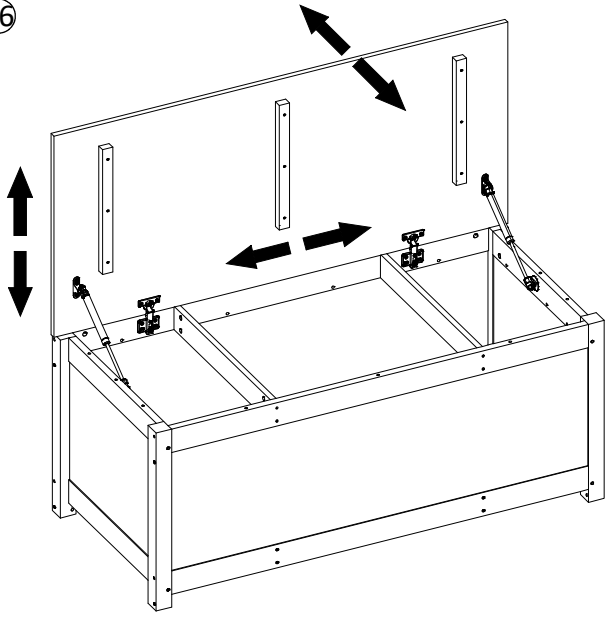


Qx2

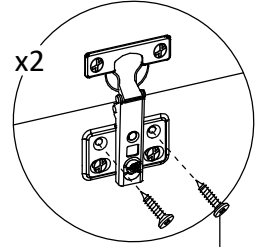
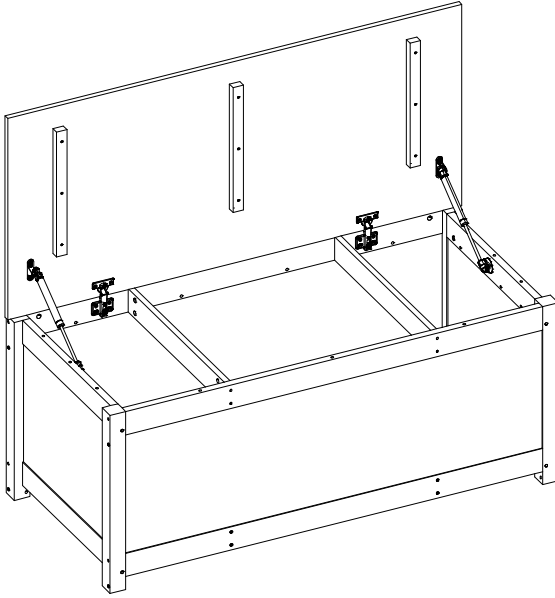




16



17



Mx2

Mx4



18

