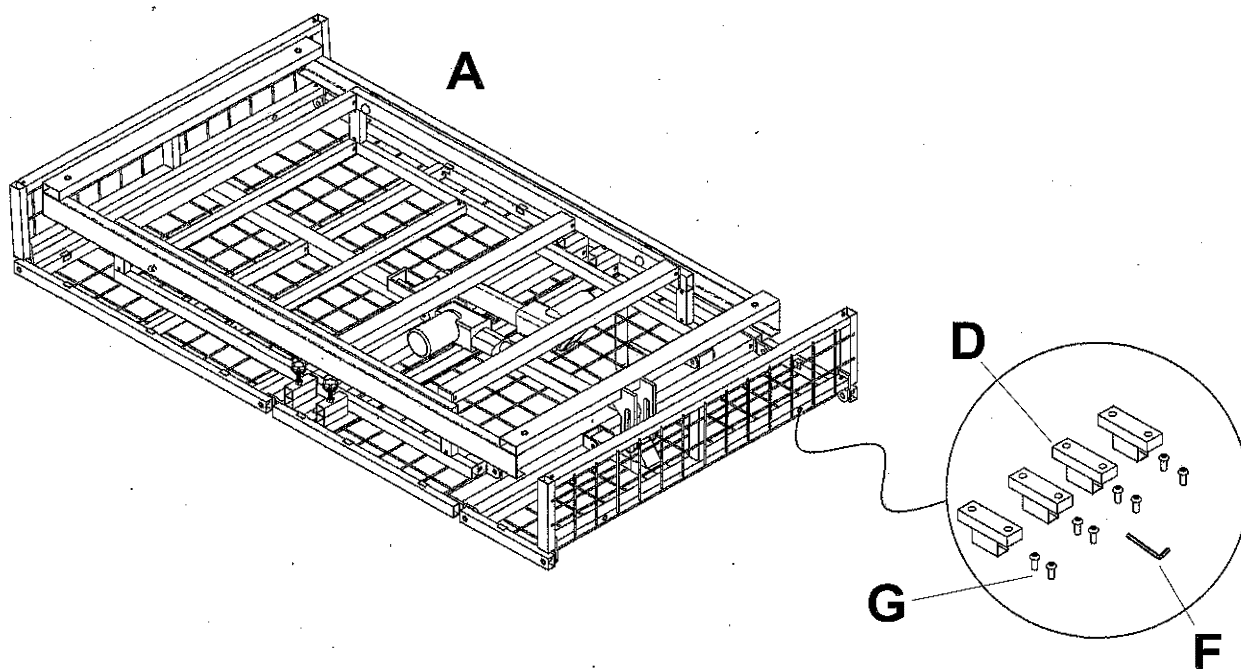


# ASSEMBLY INSTRUCTION

NOTE: THIS ITEM NOT RECOMMENDED FOR COMMERCIAL USE  
KEEP THIS DOCUMENT FOR REFERENCE IN CASE PARTS ARE NEEDED

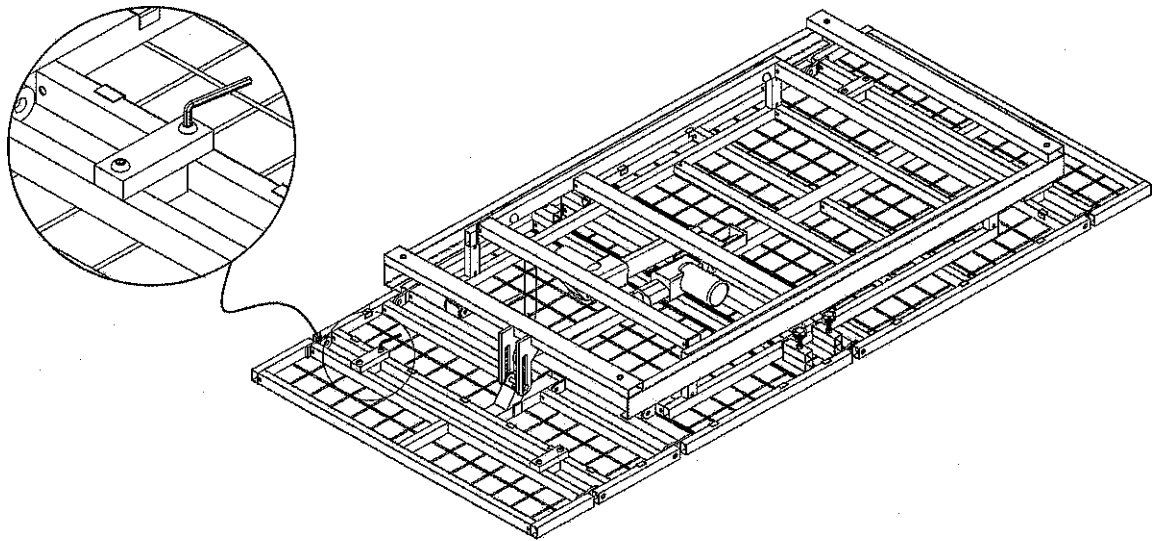
ITEM NO.		PARTS LIST	QTY
A		Bed Frame	1PC
B		LEFT PADDED GUARD RAIL	1PC
C		RIGHT PADDED GUARD RAIL	1PC
D		FRAME CONNECTORS	4PCS
E		BED LEGS: $\phi$ 50X225	4PCS
F		WRENCH: M5	1PC
G		BOLT: M8X29	8PCS
H		MATTRESS COVER	1PC

## STEP 1



1. Open the carton box and unfold the Adjustable Base. Then open all the boxes containing all the parts.

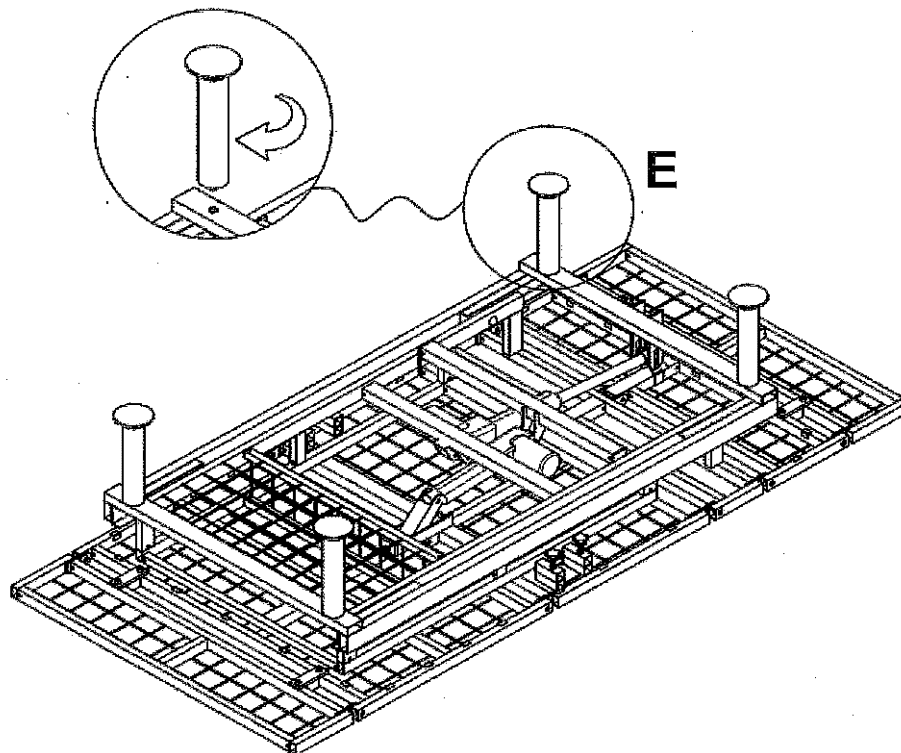
## STEP 2



2. Use supplied bolts and wrench, tighten up the frame with the frame connectors as shown.

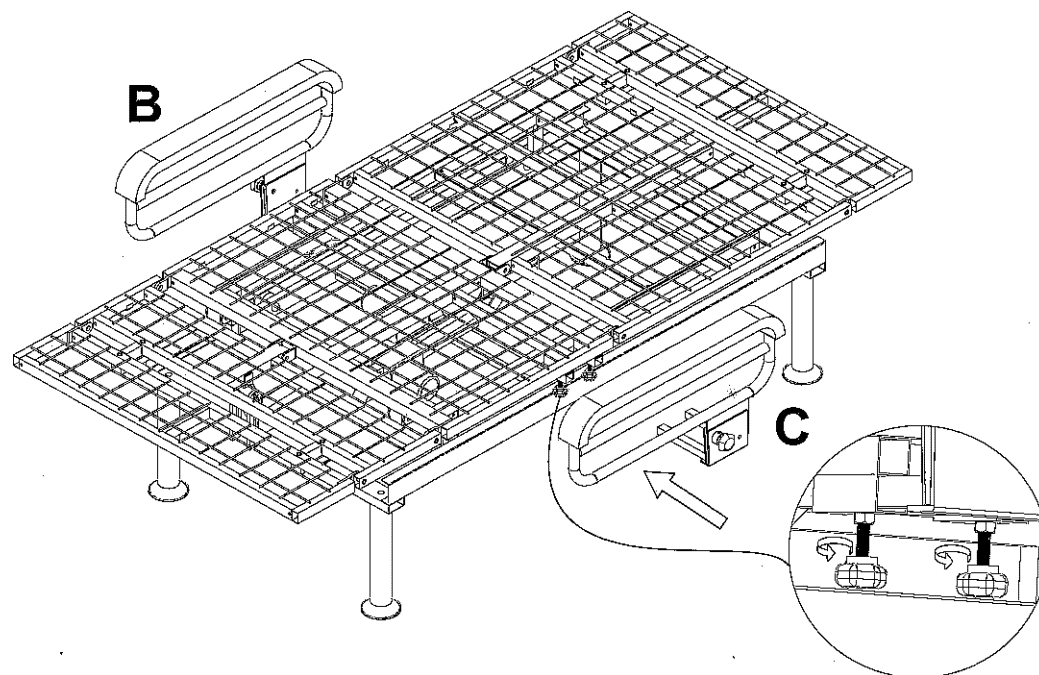
---

## STEP 3

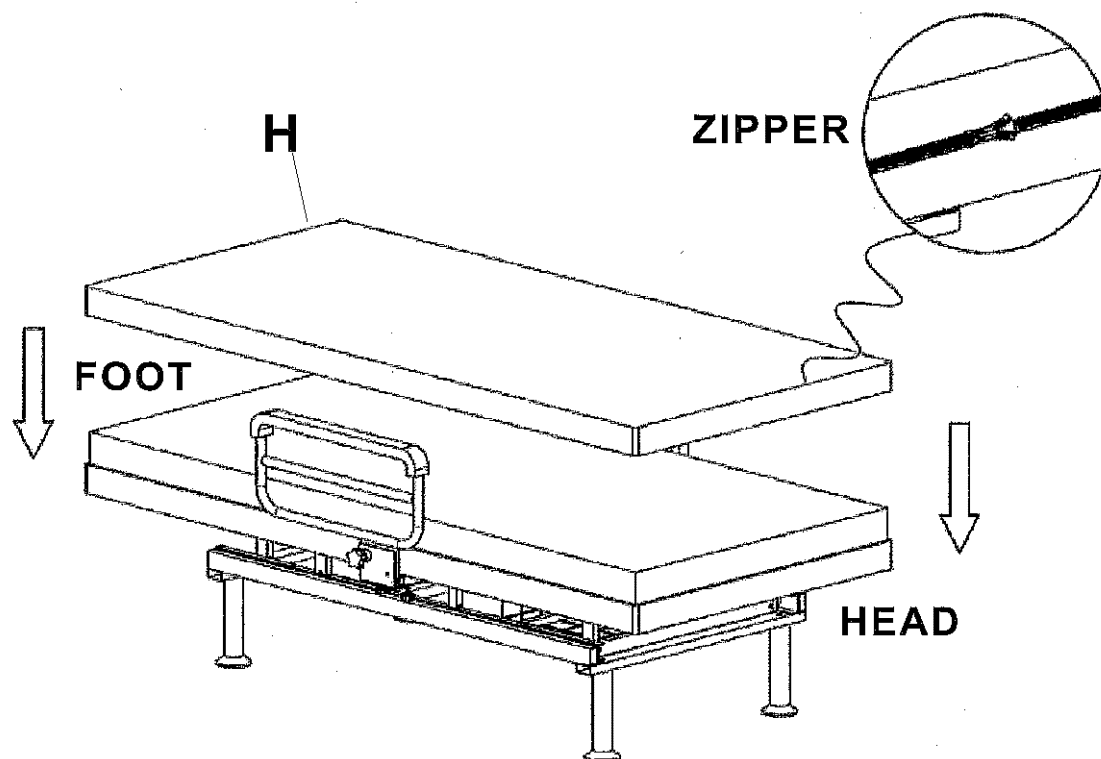


3. Install the 4 legs by turning the legs clockwise until tight. Once all 4 legs are installed, turn the adjustable base over so the legs are resting on the floor.

## STEP 4



4. Install the hand rail as shown, then turning the plastic screws clockwise until tight.



5. Flatten the mattress on the bed frame, then use supplied mattress cover and zip up the fabric cover on bed frame.

## REMOTE INSTRUCTION

