

# Trestle Desk



## Assembly Instructions

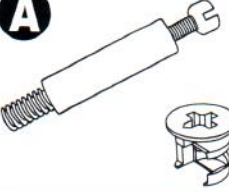

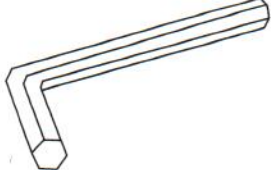

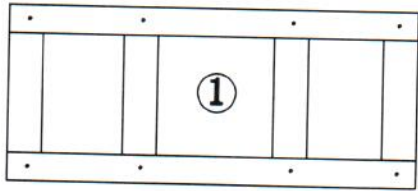

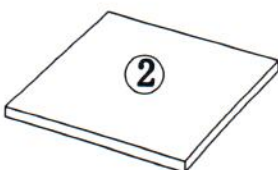
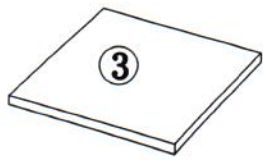

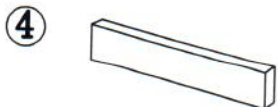
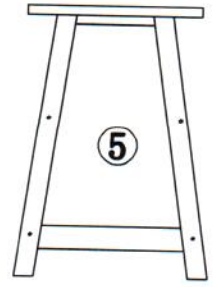

We have designed our furniture with you, the customer in mind. Our clear, easy to follow, step by step instructions will guide you through the project from start to finish. Feel confident that this will be a fun and rewarding project. The final product will be a quality piece of furniture that will go together smoothly and give years of enjoyment.



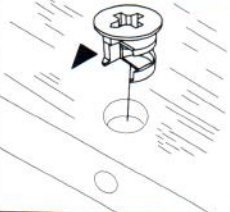
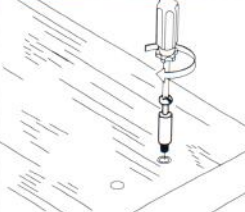
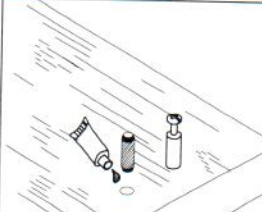
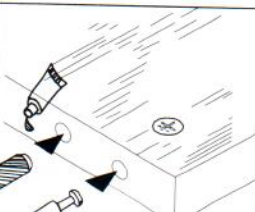
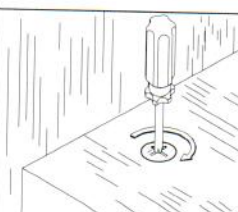
Please do not return to the store

- . Broken or Missing Hardware?
- . Need help with Assembly?

**Hardware List**

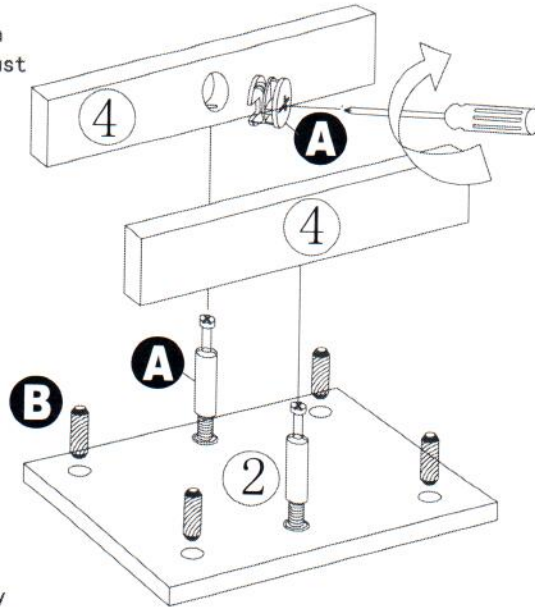
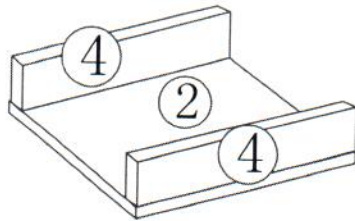
<p><b>A</b></p> 	<p><b>F</b></p> 	<p><b>G</b></p> 
<p>Cam dowel (8pcs)</p>	<p>Cap (16pcs)</p>	<p>Allen wrench (1pc)</p>
<p><b>B</b></p> 	<p><b>Part List</b></p>	
<p>Wood dowel (16pcs)</p>	 <p>Desktop (1pc)</p>	
<p><b>C</b></p> 	 <p>Middle Shelf (2pcs)</p>	
<p>Long Screw &amp; Inserted Nut (16pcs)</p>	 <p>Bottom Shelf (2pcs)</p>	
<p><b>D</b></p> 	 <p>Shelf Supports (8pcs)</p>	
<p>Screw (8pcs)</p>	 <p>Frame (4pcs)</p>	
<p><b>E</b></p> 		
<p>Glue (1pc)</p>		

**Assembling the unit with camlocks and wood dowels.**

				
<p>Insert camlock, camlock must face bolt hole</p>	<p>Gently screw cam dowel into the threaded anchor</p>	<p>Lightly glue one end of wood dowel and tap into hole.</p>	<p>Lightly glue dowel and connect to second panel by inserting dowels into holes</p>	<p>Gently screw the cam clockwise into locked position. Do not overtighten.</p>

## step1

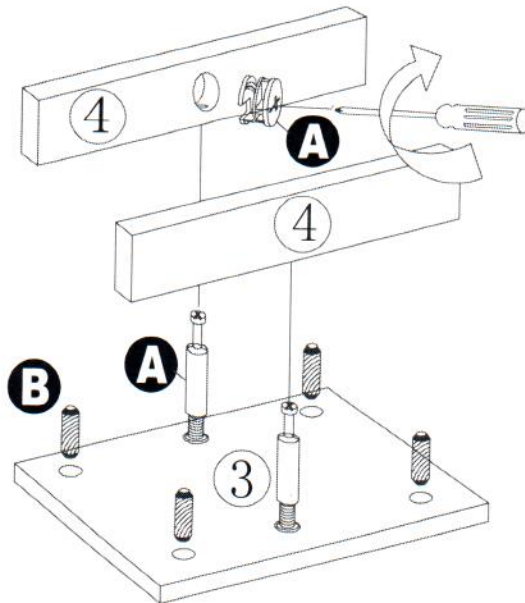
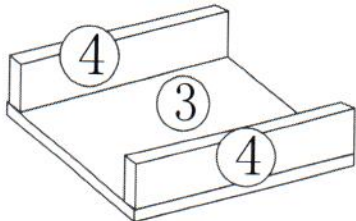
1. Attach Wooden dowels(B) and Cambolts(A) to Middle Shelf(2).
2. Insert Camlocks(A) into holes in Shelf Supports(4). Camlock arrow must face bolt hole.
3. Connect Shelf Supports (4) to Middle Shelf(2). Gently tighten camlocks.



\*Refer to page 2 for dowel assembly

## step2

1. Attach Wooden dowels(B) and Cambolts(A) to Bottom Shelf(3).
2. Insert Camlocks(A) into holes in Shelf Supports(4) and Camlock arrow must face bolt hole.
3. Connect Shelf Supports (4) to Bottom Shelf(3). Gently tighten camlocks.



### step3

1. Insert nuts into middle shelf (2) and bottom shelf (3) and make sure Nut hole faces to bolt hole.  
(as seen in Diagram #1)
2. Carefully connect frames (5) to shelves (2) and (3). (Long screw (C) goes through the frame. Line up holes and insert screws.)  
Tighten Long screws (C).

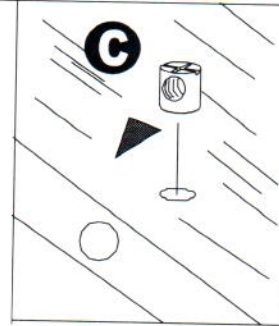
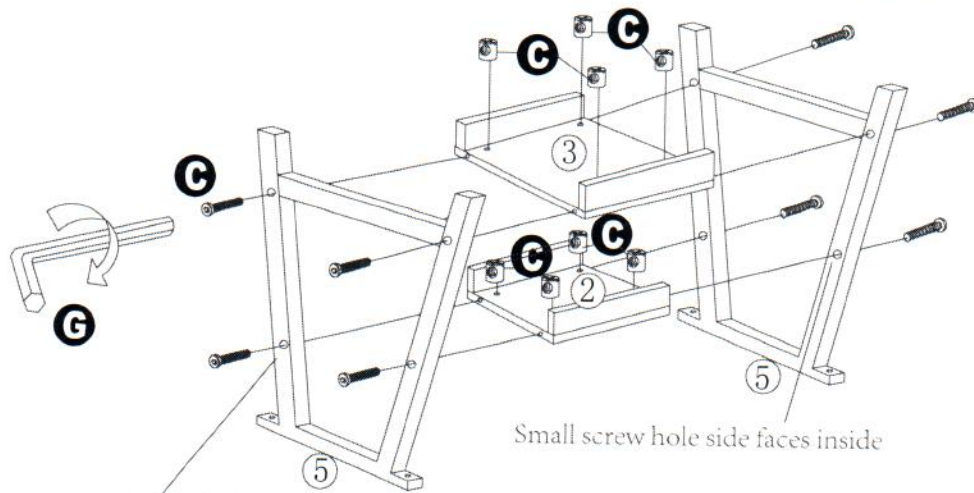


Diagram #1

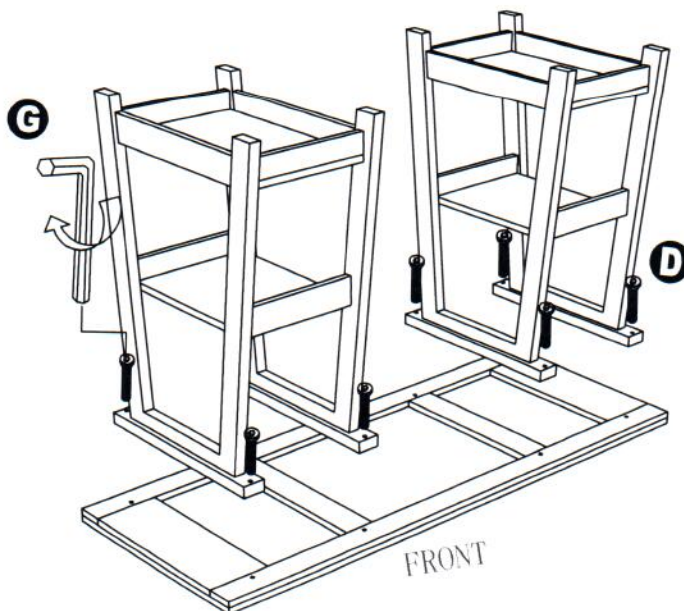


Large screw hole side faces outside

Small screw hole side faces inside

### step4

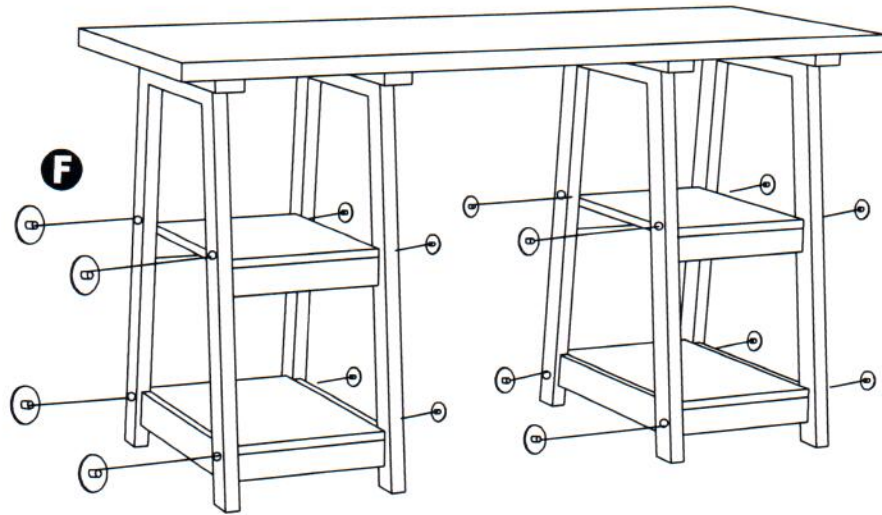
1. Place desktop on carpet or soft surface.
2. Connect the assembly to desktop (1).  
Tighten screws (D).



FRONT

## step5

1. Carefully turn the desk.
2. Place caps (F) over screw holes.



Enjoy.

