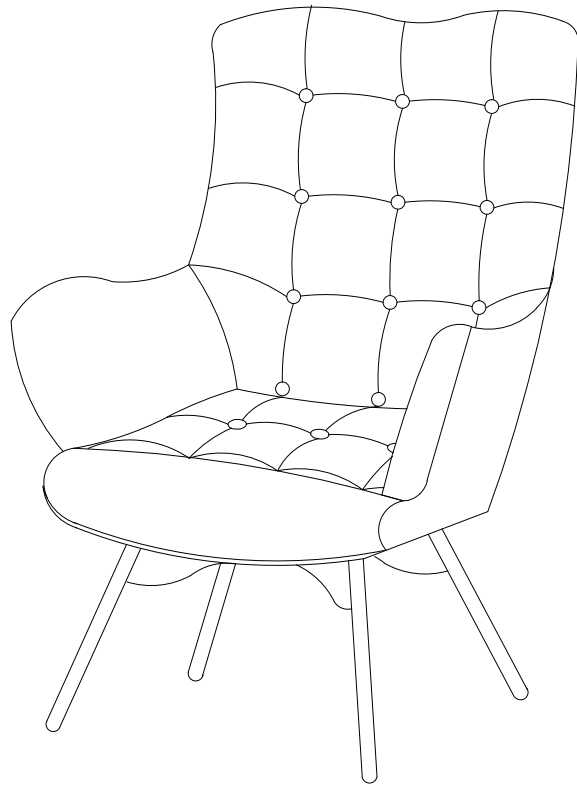
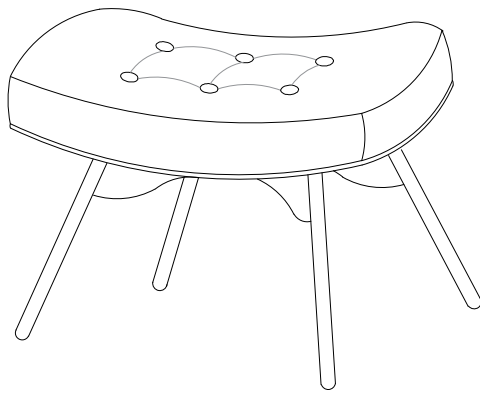


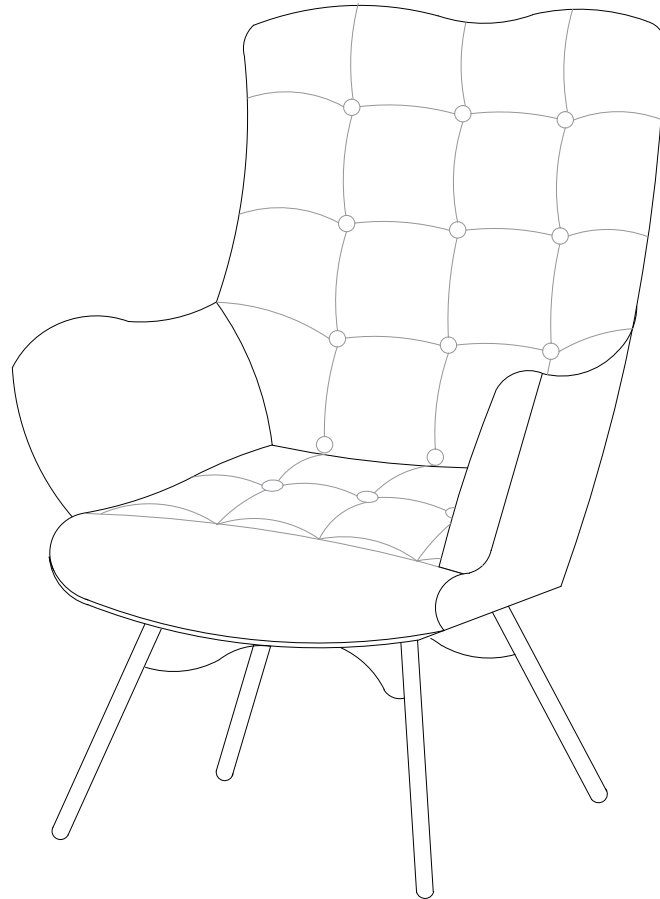
A

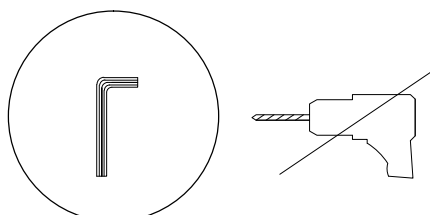

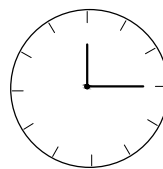
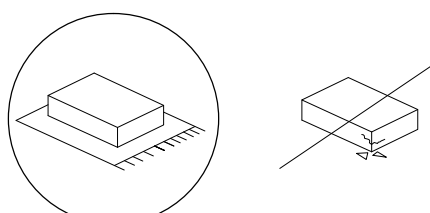

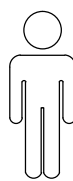


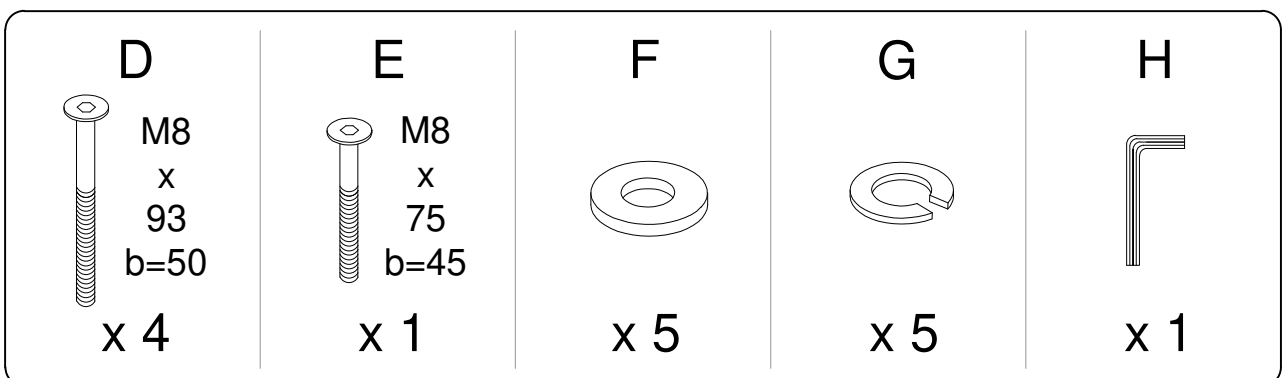
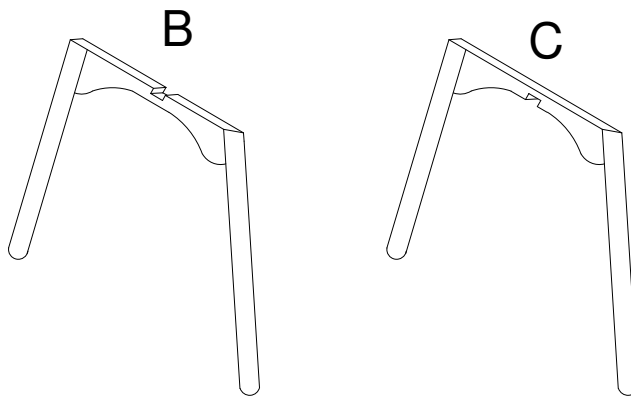
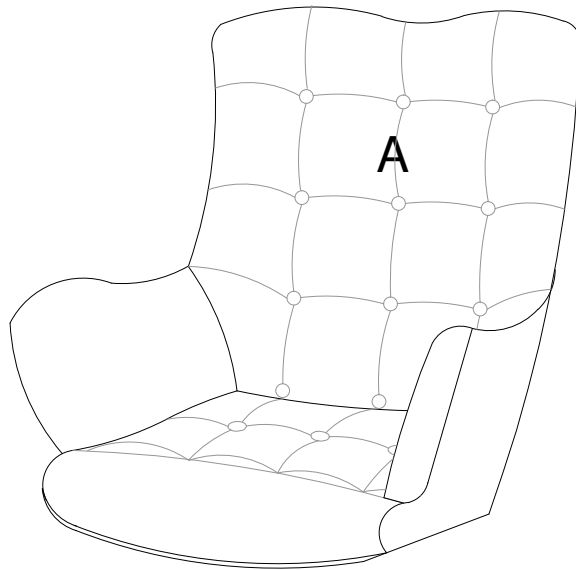
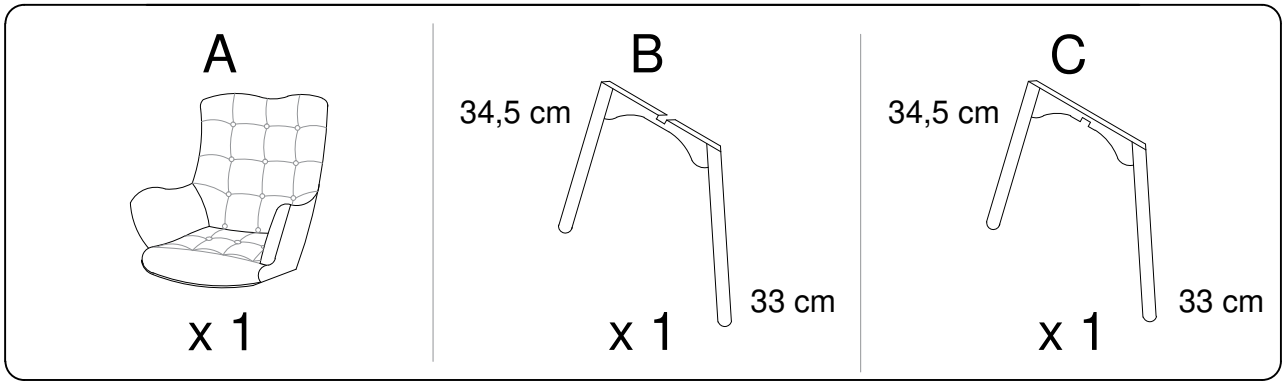
B



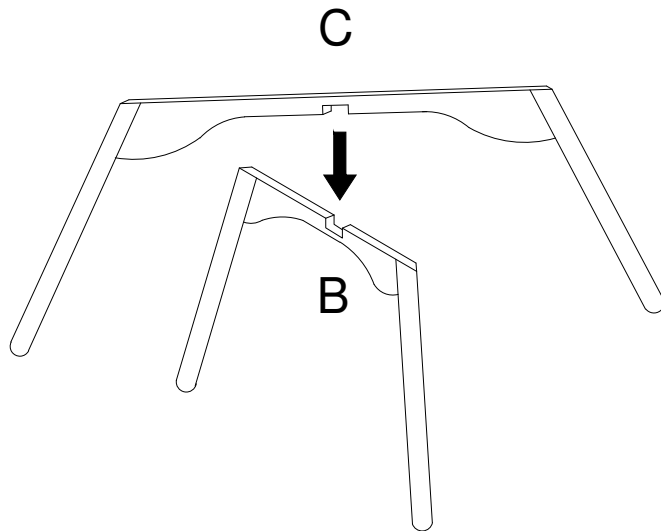
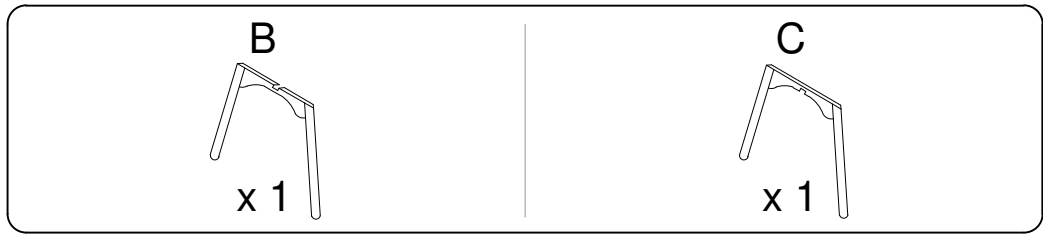
A



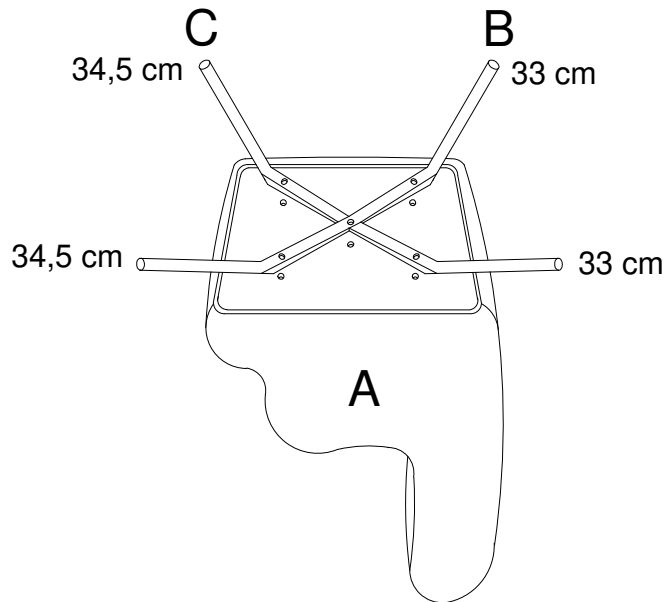
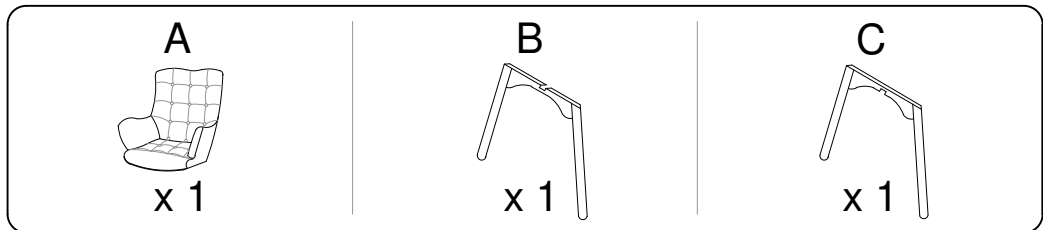
		
		15'
		
		1










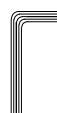
1

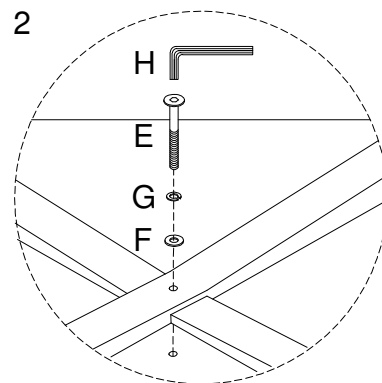
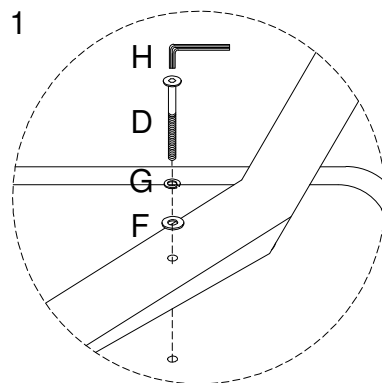
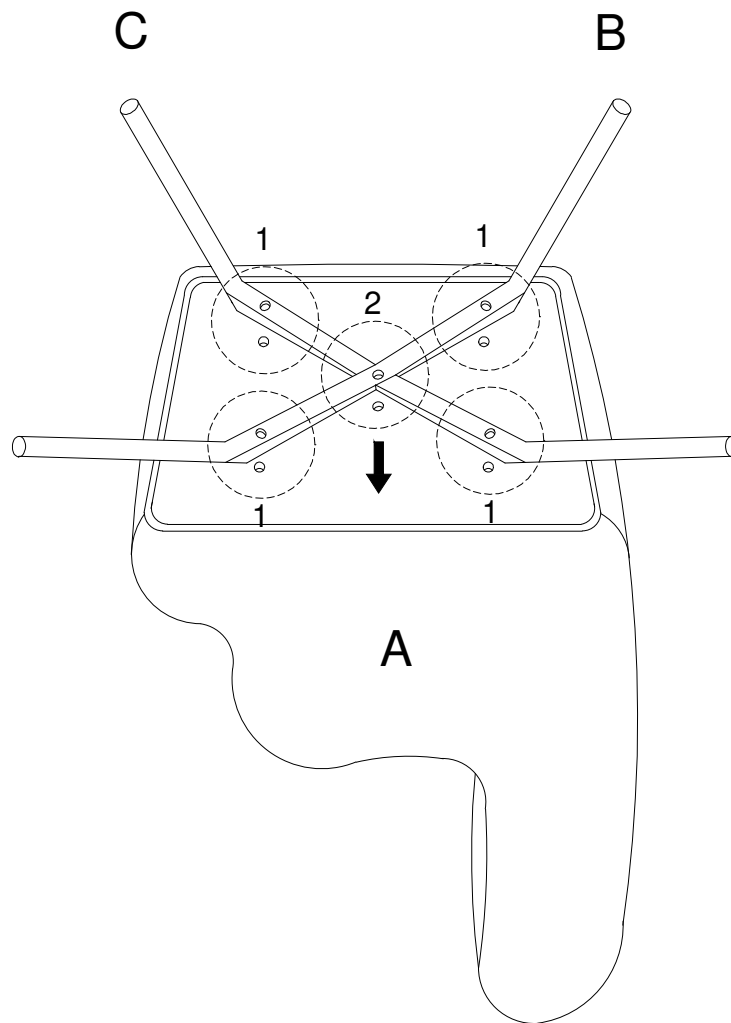


2

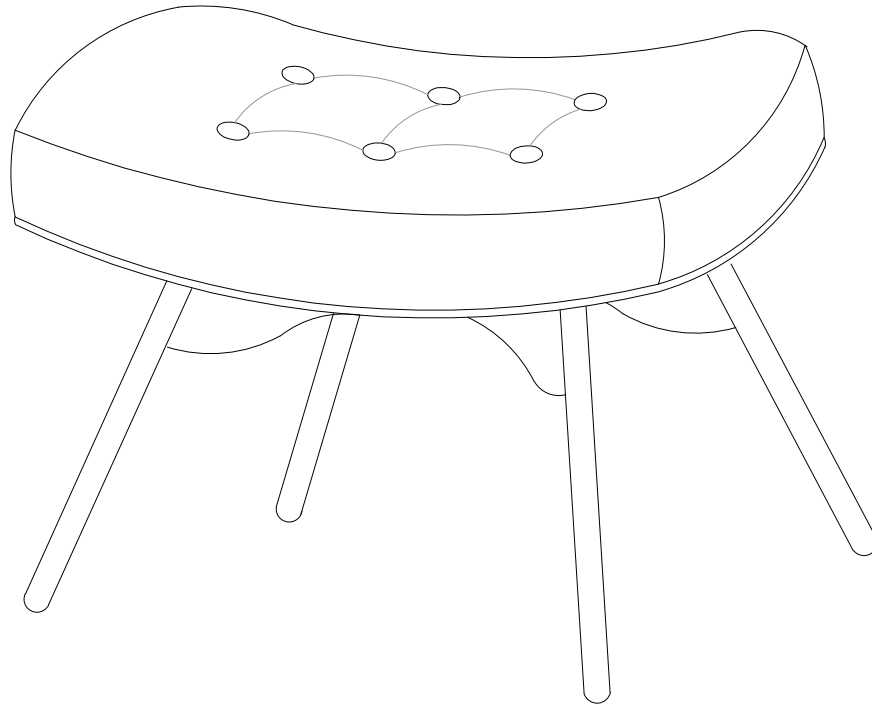


3

<p>A</p>  <p>x 1</p>	<p>B</p>  <p>x 1</p>	<p>C</p>  <p>x 1</p>	<p>D</p>  <p>M8 x 93 b=50</p> <p>x 4</p>
<p>E</p>  <p>M8 x 75 b=45</p> <p>x 1</p>	<p>F</p>  <p>x 5</p>	<p>G</p>  <p>x 5</p>	<p>H</p>  <p>x 1</p>



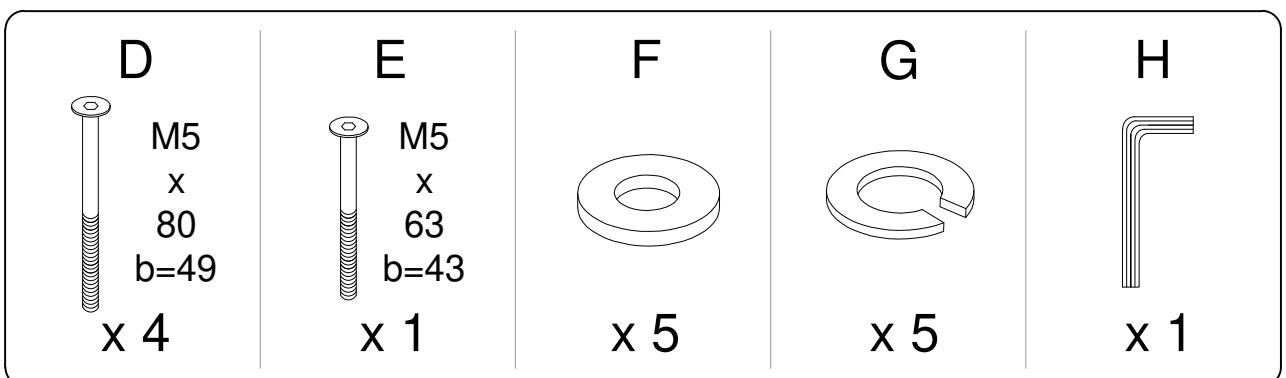
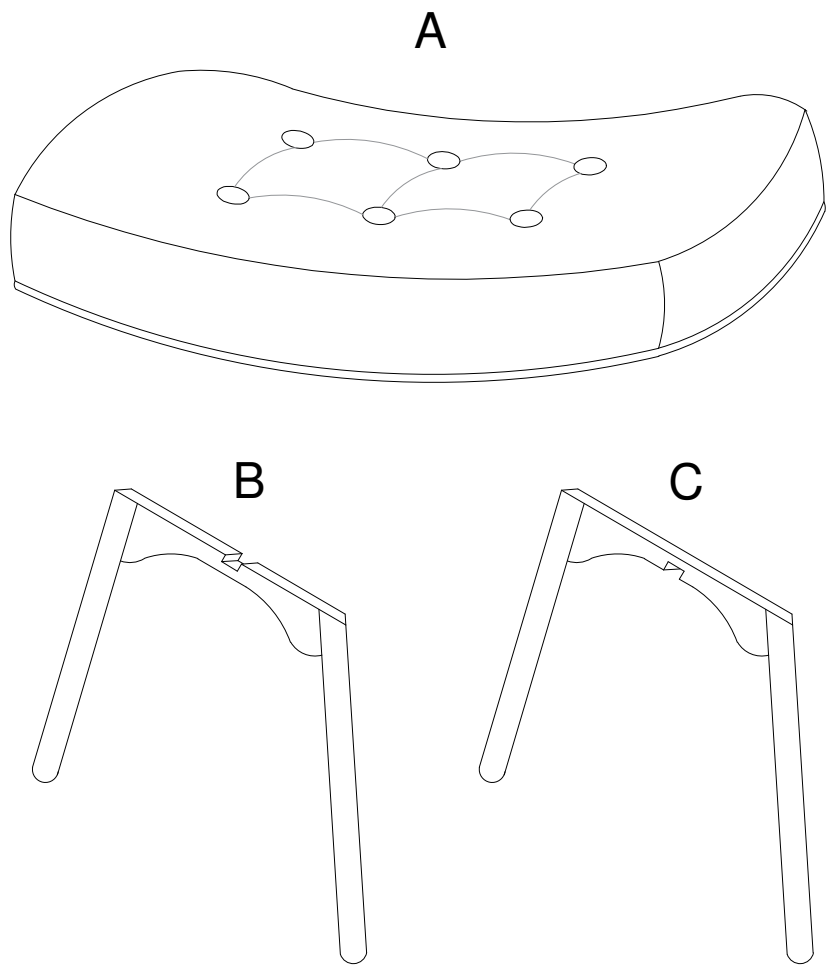
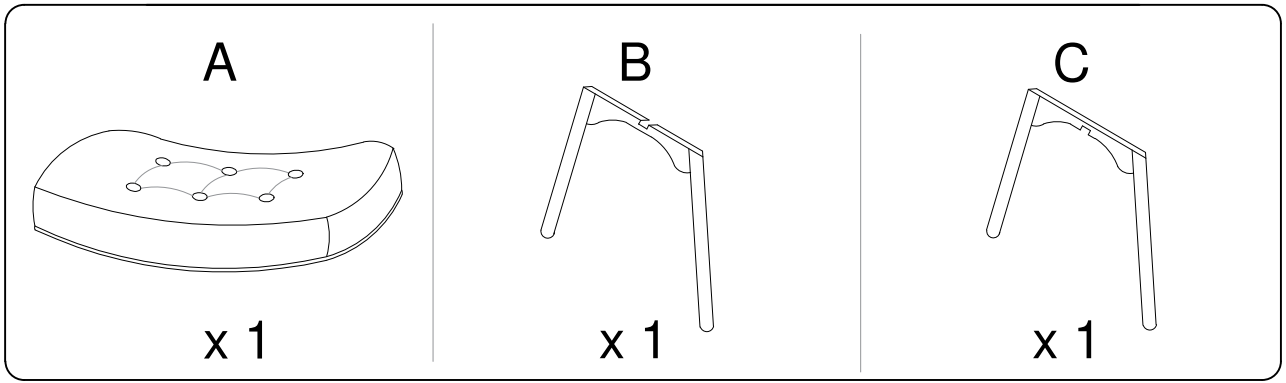
B



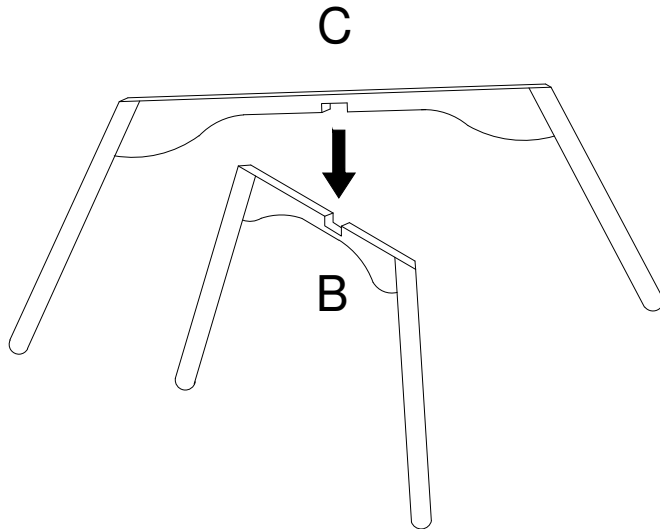
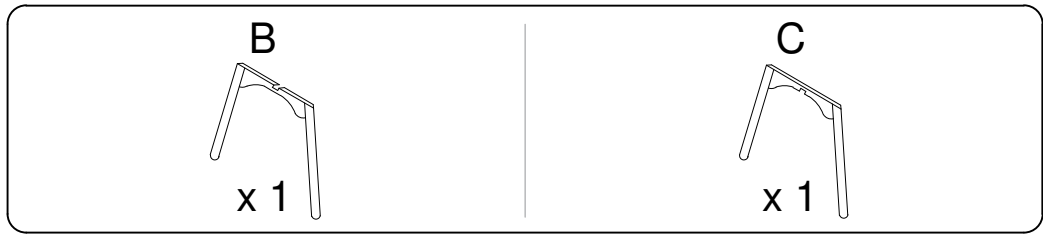
An icon of an L-shaped metal bracket inside a circle, next to a power drill with a diagonal line through it, indicating that a power drill should not be used.	A warning triangle containing an exclamation mark.	A clock face showing 15 minutes.
An icon of a rectangular block on a mat with a diagonal line through it, indicating that the block should not be placed on a mat.	A warning triangle containing an exclamation mark.	A simple line drawing of a person.

15'

1



1



2

