

# Assembly Instructions

**BathingSpaces,HealingTraces**

---

## LIMITED WARRANTY

The furniture team would like to improve customer service quality and make your experience smooth.

Return Policy: We accept returns within 30 days without any significant reason. After we receive the returned item, we will check it and make sure that it is not damaged, then we will process the refund. For more details, please check the above terms of RETURN DAMAGE CLAIM INSTRUCTIONS.

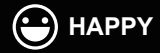
Any damages, defects and parts missings during installation, pls contact us from the very beginning. Replacement, exchange and refund will be arranged ASAP except of personal reasons.

The exceptions or exclusions to this warranty are as follows:

1. We do not accept claims outside of a limited period.
2. This warranty does not include the products purchased by mistake.
3. Any damages, broken, missing parts, we will repair or replace them without charging you any cost within a reasonable period. We reserve the right to require damaged parts to be returned to us upon our request.

If you have any questions concerning this warranty, please get in touch with the Customer Service department message. Be prepared to provide your name, address, daytime phone number, the product's model and purchase order number, the date of purchase, and the store name. All the information you provided will help us track your order quickly and solve your problem in the shortest time. This warranty gives you specific rights, and you still possess other rights that vary in each case.

## CUSTOMER CARE



**Congratulations**  
**Happy shopping**  
**Feel free to share with your friends or family**  
**Thank you for your 5-star feedback and positive**  
**reviews to help others**  
**Good advice leads to the best service**



**We apologize for the bad shopping experience**  
**Any defects, broken, missing pieces, delays or**  
**accidents Please contact us as soon as possible**

## ITEM SPECIFICATION

| Product Dimension    | Package Dimension    | Color |
|----------------------|----------------------|-------|
| 96.00*13.30*60.00 cm | 70.50*57.00*14.50 cm | White |
| 96.00*13.30*60.00 cm | 70.50*57.00*14.50 cm | Black |

## CONTENT:

- › Profile
- › Part list
- › Hardware List
- › Assembly Instruction
- › Product Parameters
- › User Manual
- › Fault Detection and Handling

## NOTICE:

- › Basic precautions should always be followed when using this product. Please read all instructions before using the cabinet and retain the education for future reference.
- › Failure to observe all instructions and warnings may cause severe property damage or personal injuries.
- › Check the product and hardware accessories in the box; and confirm whether the instructions are complete.
- › When installing, please pay attention to the protection of the parts. The soft material must be placed under the product, and please carefully handle it to avoid surface damage.
- › After the assembly is completed, please adjust the placement position according to the actual situation.
- › Keep children away from cabinets, accessories, and installation tools. They are at risk of injury to the child.
- › Two people are recommended for assembly.
- › The wall plugs supplied are for use on solid walls only. For cavity walls or plasterboard use specialist fixings that are suitable for the type of wall construction.
- › To retain the best quality finish, clean product regularly with a soft damp cloth.
- › The max load of the cabinet is 10kg when fitted to a solid wall and 5kg when fitted to a cavity wall.
- › Risk of electric shock. Connect this furnishing to a properly grounded circuit only. See Grounding instructions  
If you need the electronic manual, please contact our customer service to get it.



For reference only



Parts may vary.  
(Optional)



Warning! Please take  
special care.

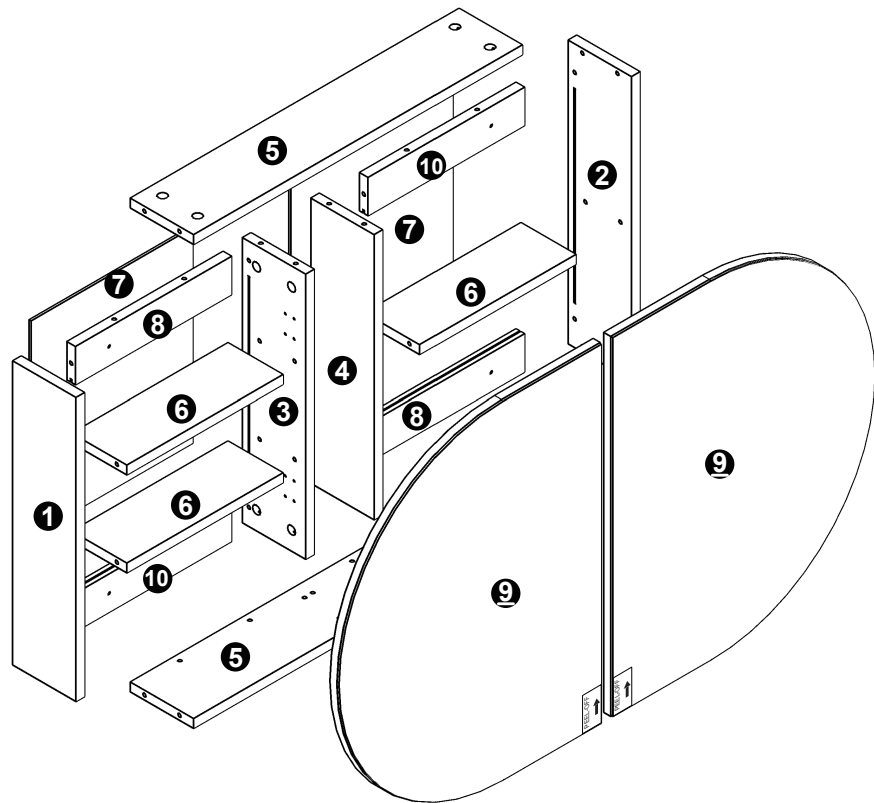
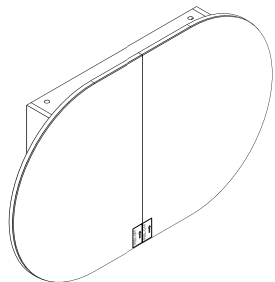
## RETURN/DAMAGE CLAIM INSTRUCTIONS:

- › The product is shipped in a single carton box. If you haven't received the package or need to know the tracking of the package, get in touch with us immediately.
- › The product accepts returns within 30 days without any reason. If you return this item for personal reasons, you must cover the return fee and order processing fee (0- 20% restocking fee based on the invoice price). We will cover the freight if the product has quality issues (not caused by humans).  
Please keep the original box if you need to return the goods. Please use our return label and do not return it without permission.
- › If you return the product after 30 days of receiving it, we are afraid your return application won't be accepted. We appreciate your understanding.
- › Any damages, defects and parts missings during installation, pls contact us from the very beginning. Replacement, exchange and refund will be arranged ASAP except of personal reasons.

## Part List

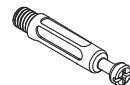


Open the package, and put the item on the mat with care. Please install it carefully to ensure your fingers will not be scratched.



## Hardware List

**A**



M6\*40mm  
×24 (+2)

**B**



φ15\*12mm  
×24 (+2)

**C**



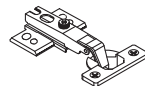
M3.5\*12mm  
×24 (+2)

**K**



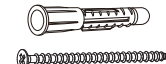
M8\*40mm  
×20 (+2)

**E2**



×4

**F**



M4\*60mm  
×4

**P**



×8 (+2)

**T**



×24 (+2)

**L**



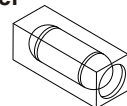
×4

**Extra white cam**



×2

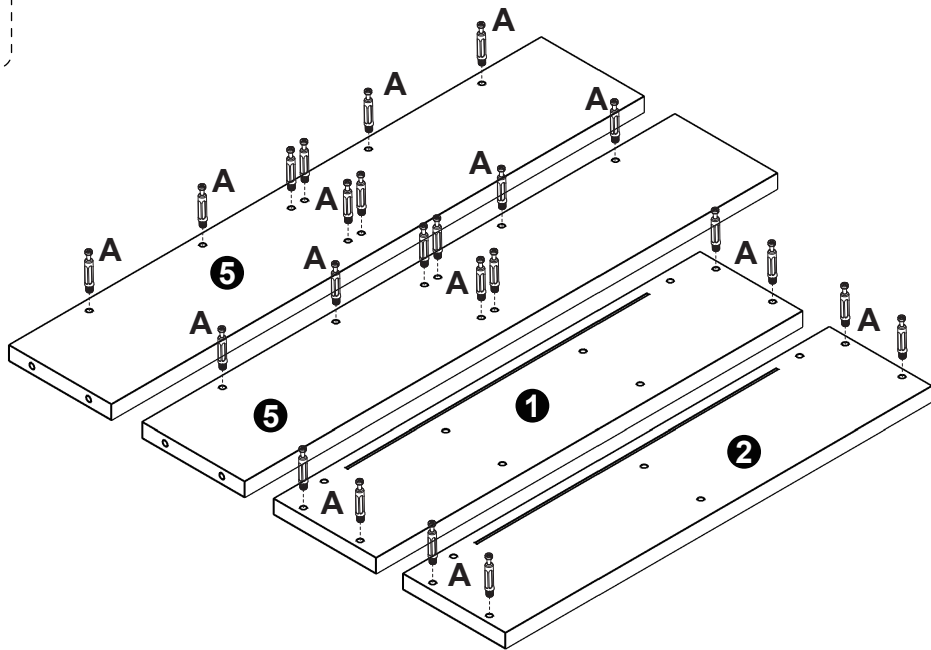
**Spirit Level**



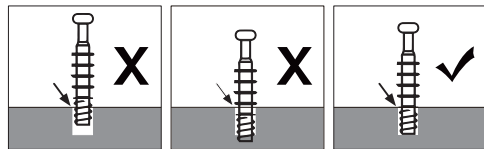
×1

# Start...

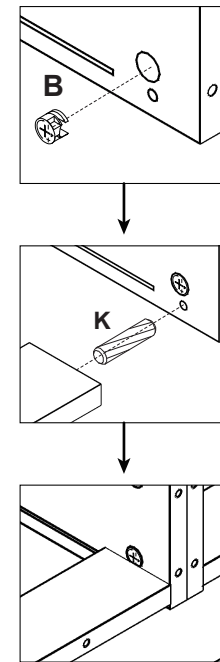
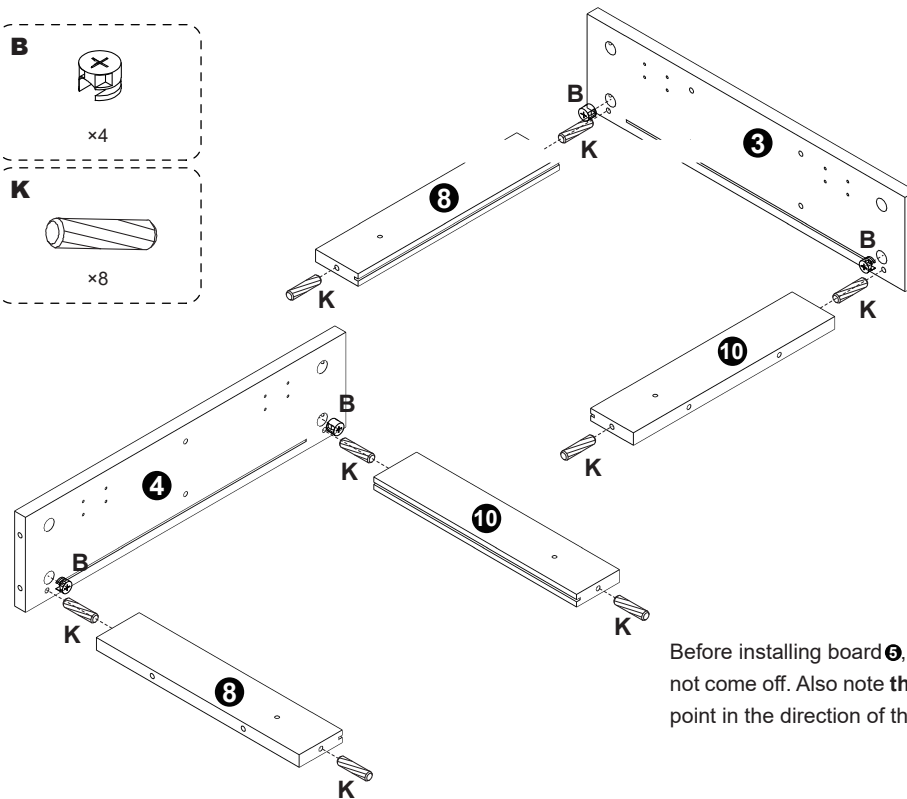
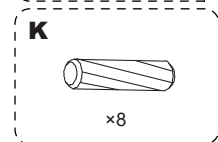
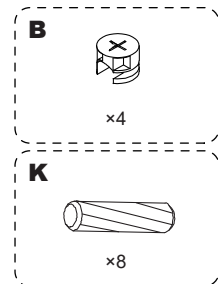
## | Step1



Installation method of three in one bolt

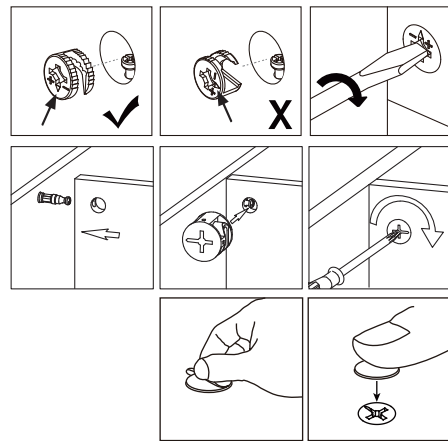
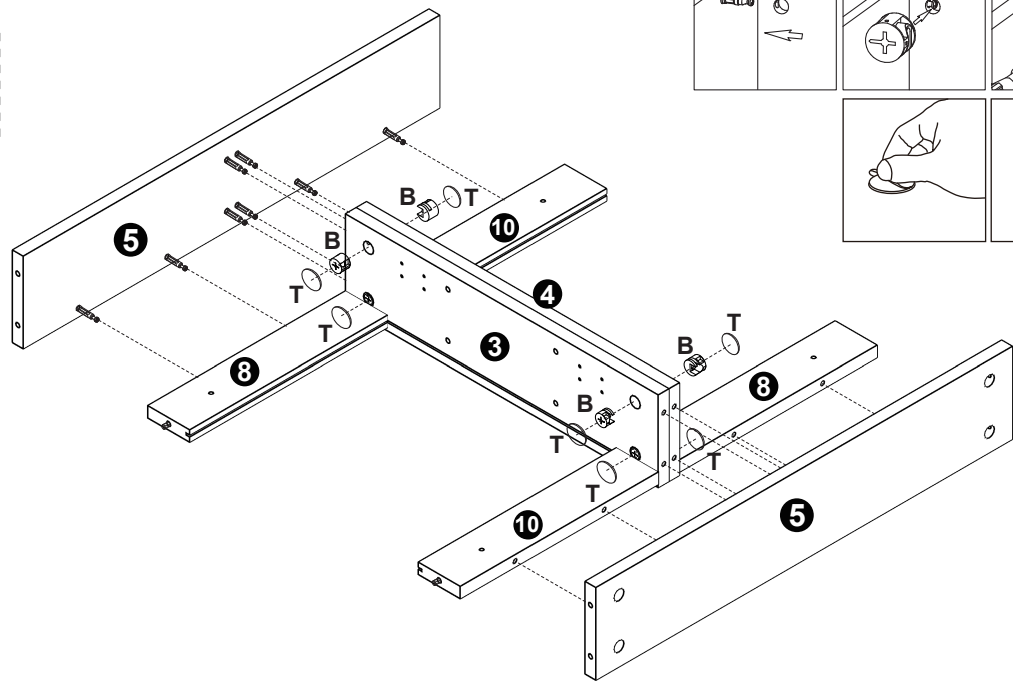
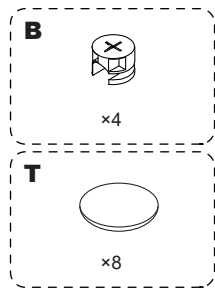


## | Step2

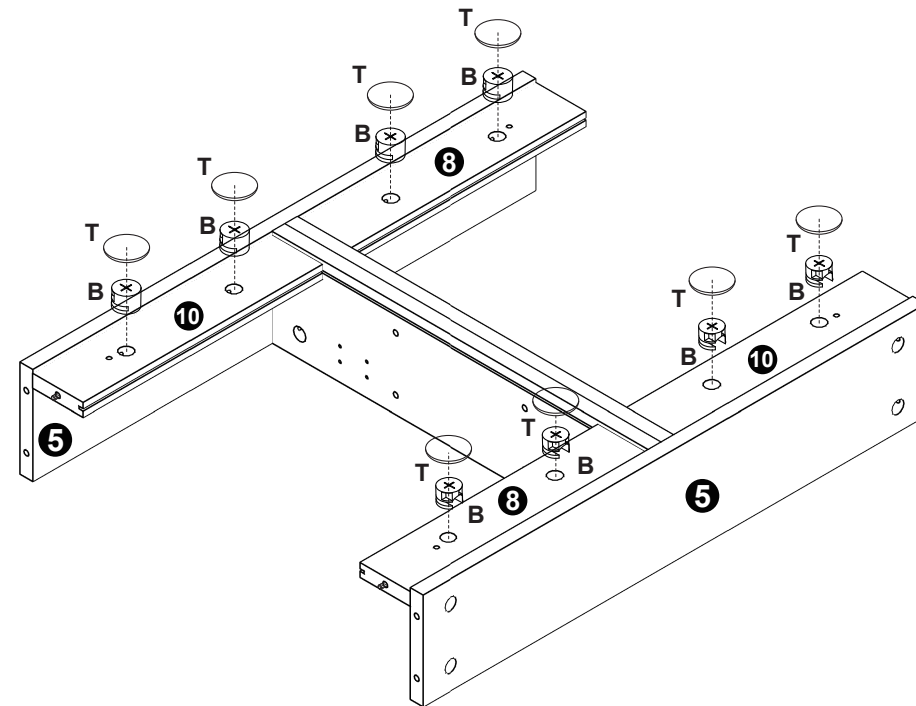
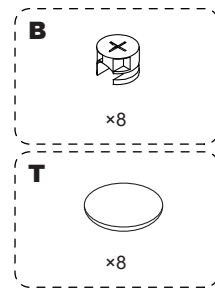


Before installing board 5, make sure the **Lock** on boards 3 and 4 do not come off. Also note **the arrows on the Lock** and make sure they point in the direction of the appropriate **Bolt** to be installed.

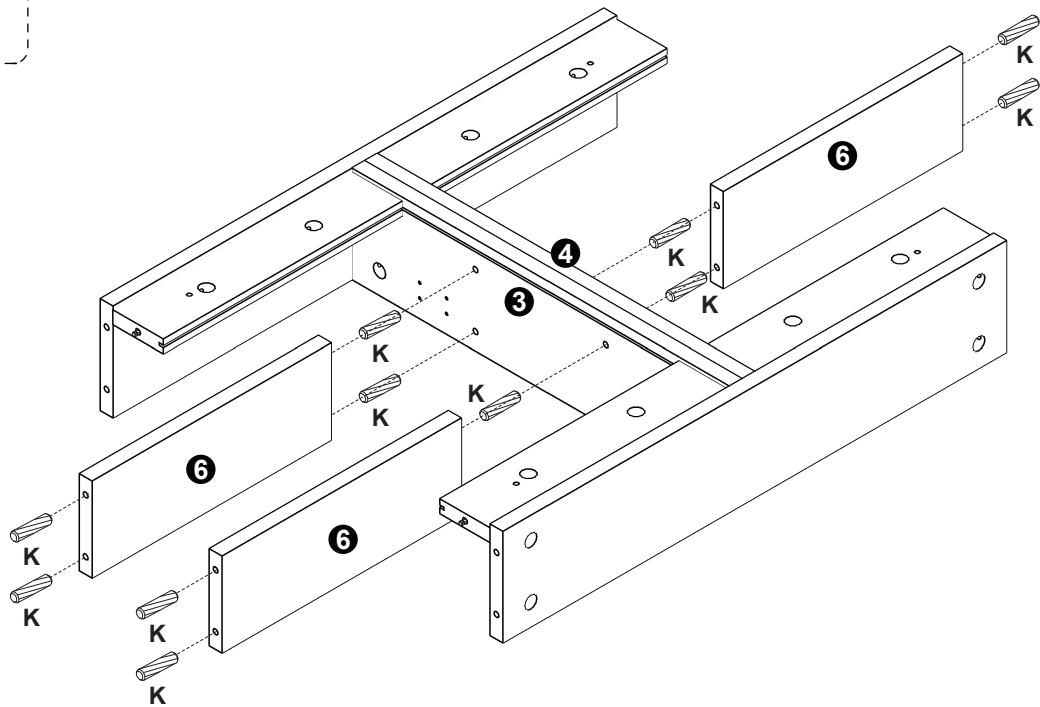
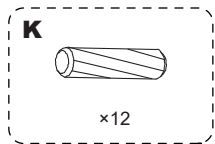
### | Step3



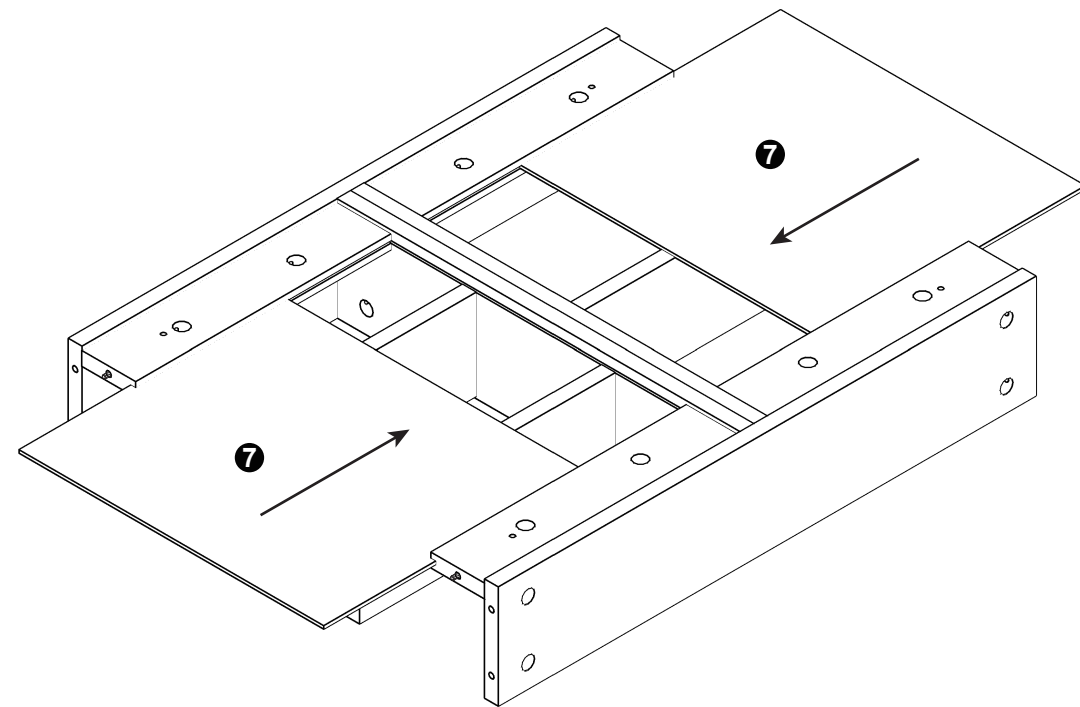
### | Step4



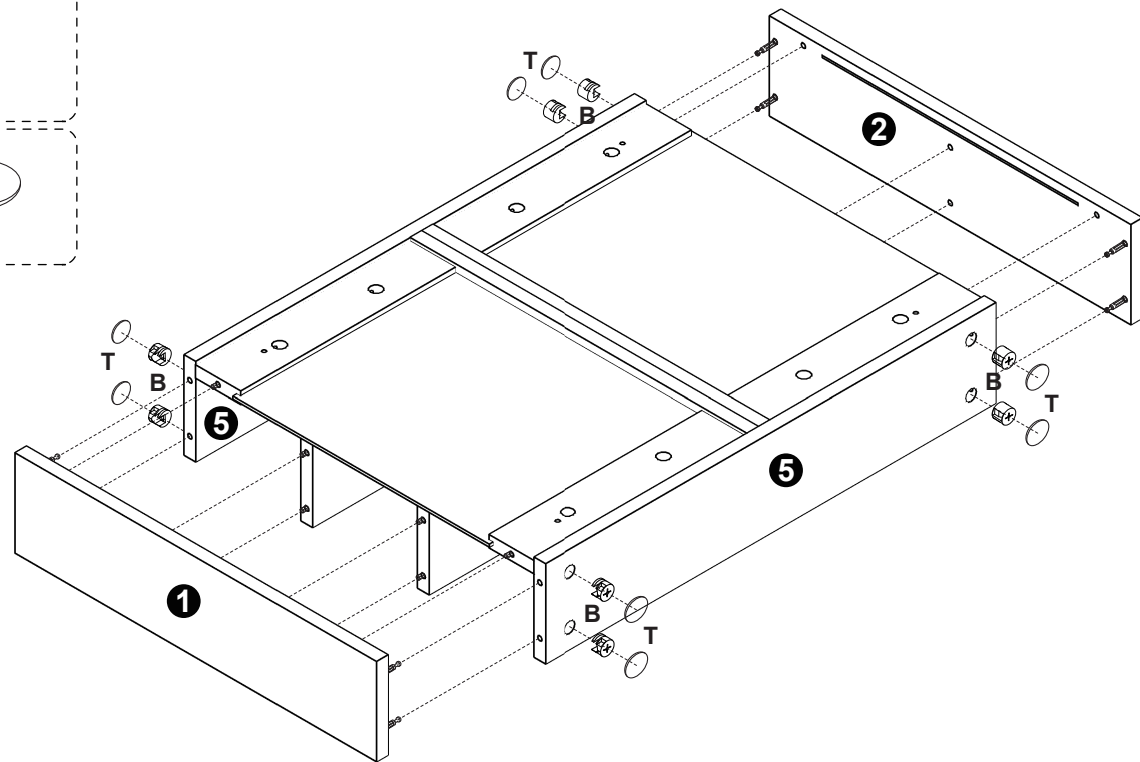
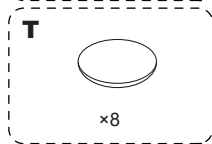
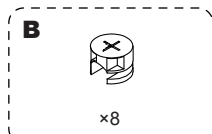
| Step5



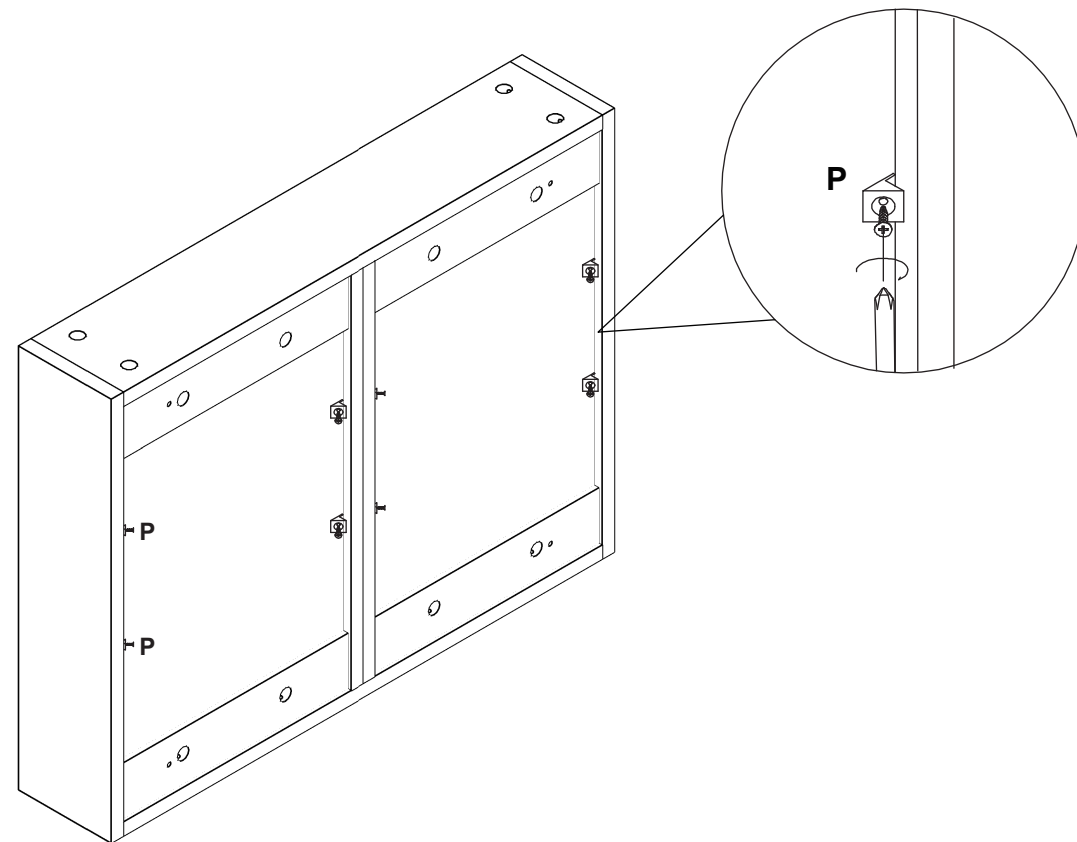
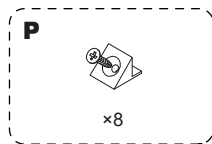
| Step6



### | Step7



### | Step8



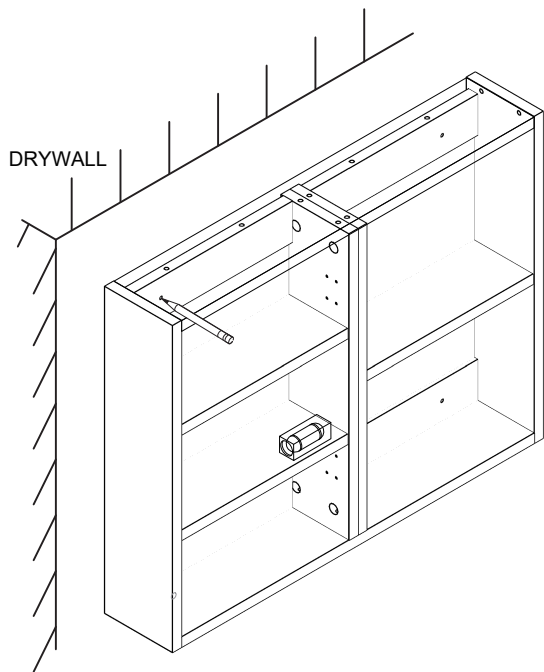
### | Step9

Spirit Level



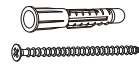
x1

Please first use a spirit level to measure for levelness, then mark the positions hole with a pencil.



### | Step10-Optional for studs/concrete

F

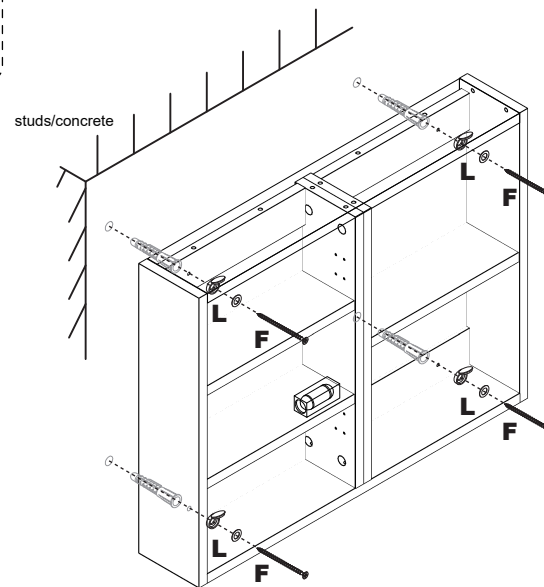
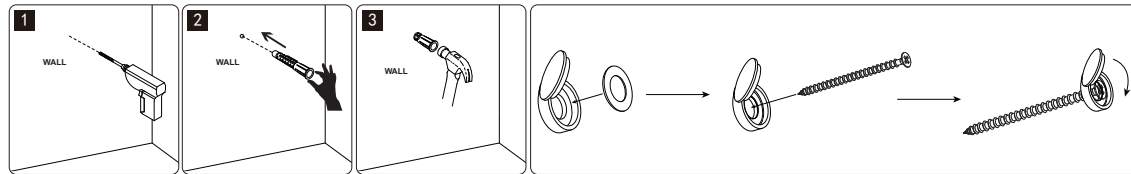


x4

L

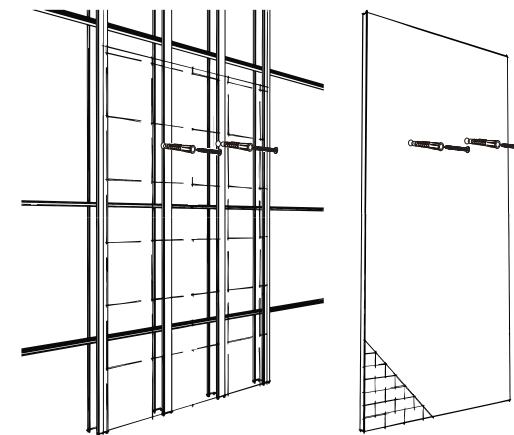


x4

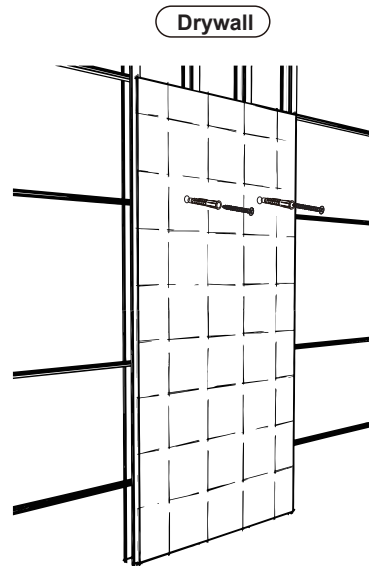
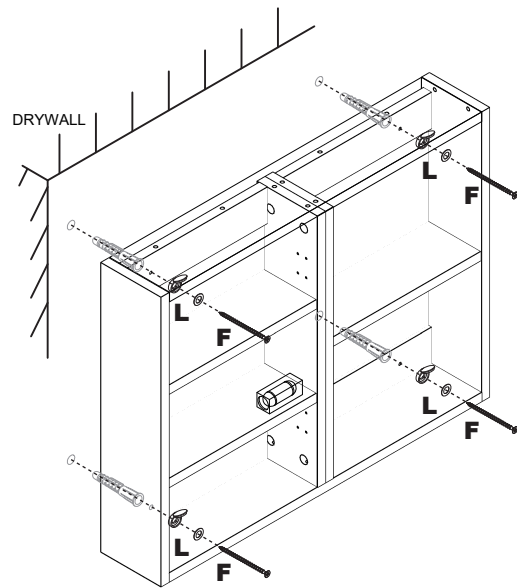
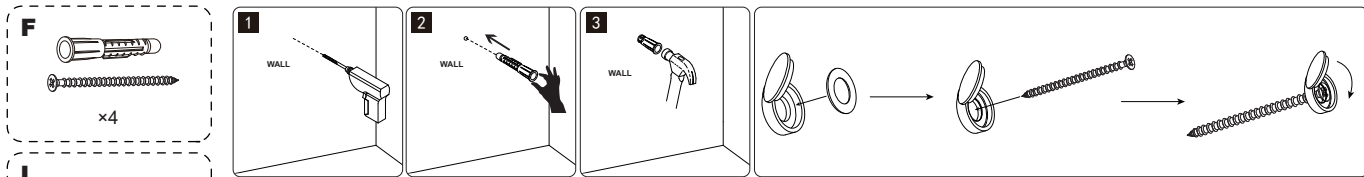


Studs

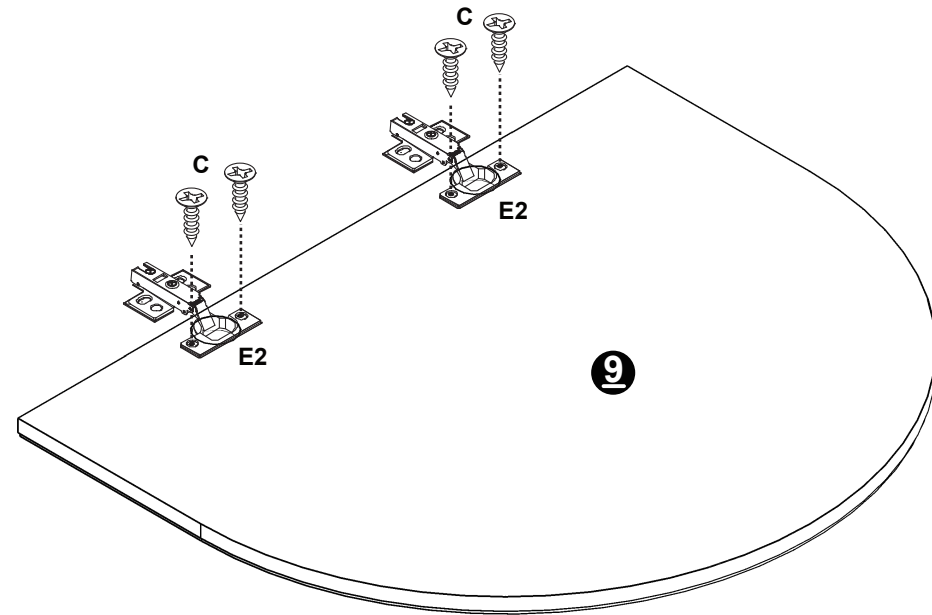
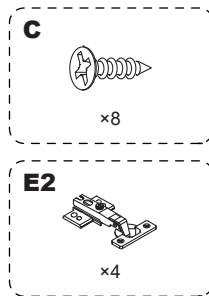
Concrete



| Step11-Optional for drywall

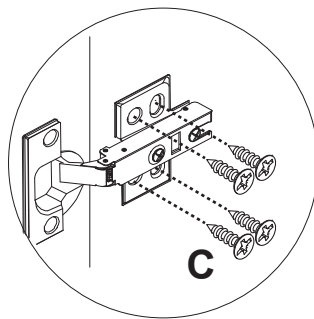
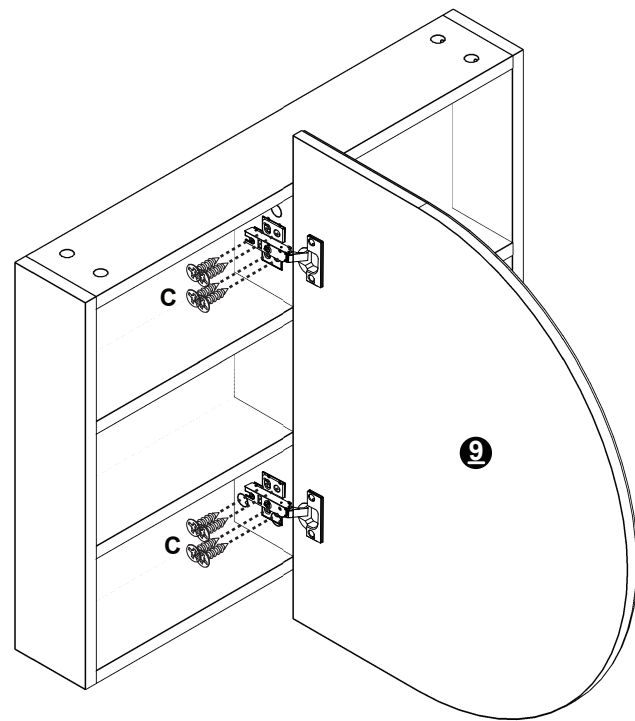
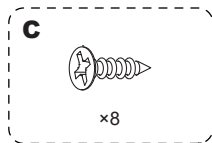


| Step12

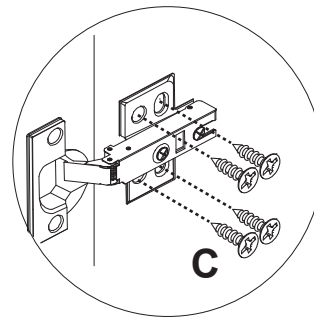
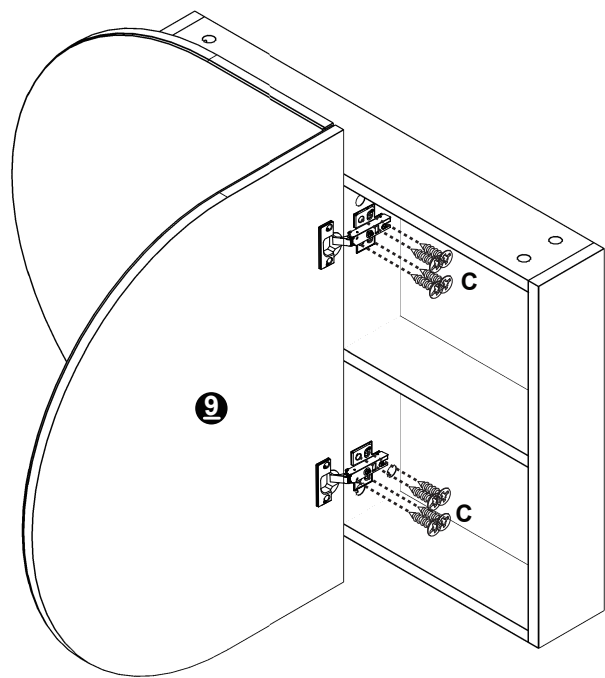
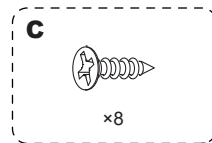


x2

| Step13

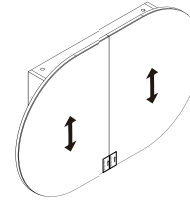
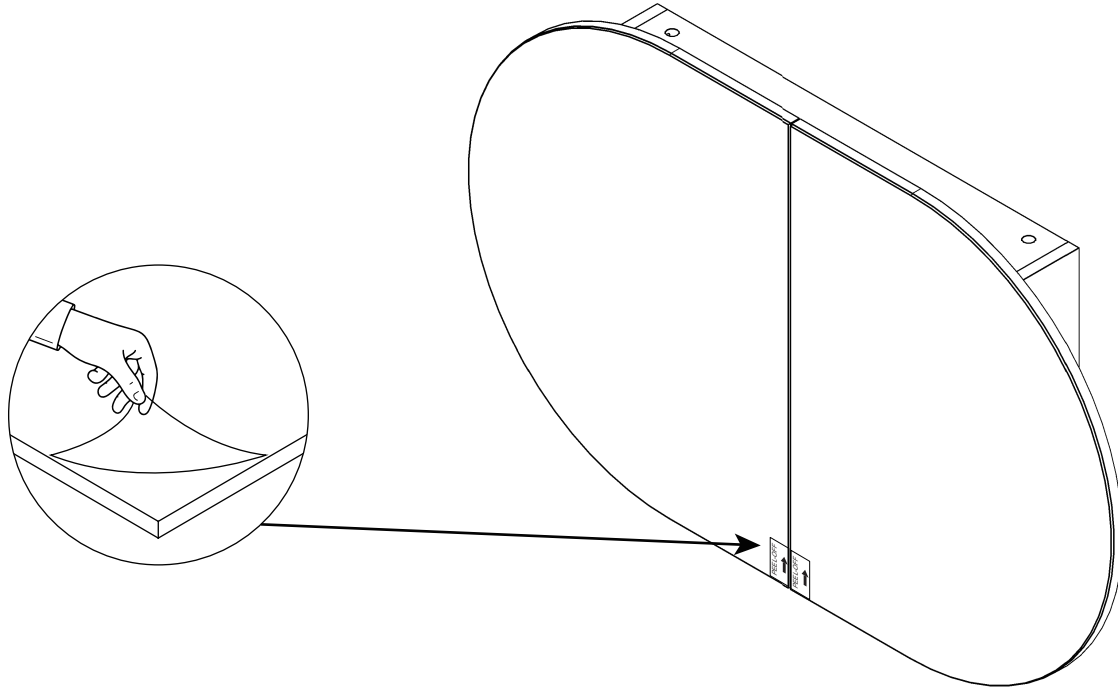


| Step14



## | Step15

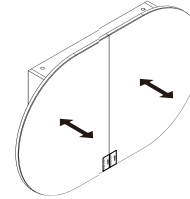
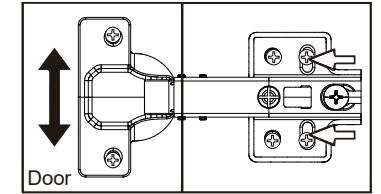
As shown, please remove the protective film from the mirror, then wipe the four edges with a rag.



### Hinge adjustment

**A:** To move doors up or down:

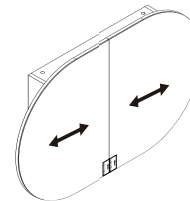
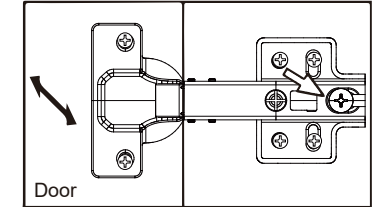
Loosen screws shown and move doors to suit.  
Once doors are aligned, re-tighten screws.



### Hinge adjustment

**B:** To move doors in or out:

Loosen screw shown and move doors to suit.  
Re-tighten screws.



### Hinge adjustment

**C:** To move doors left or right:

Loosen screw shown and move doors to suit.  
Re-tighten screws.

