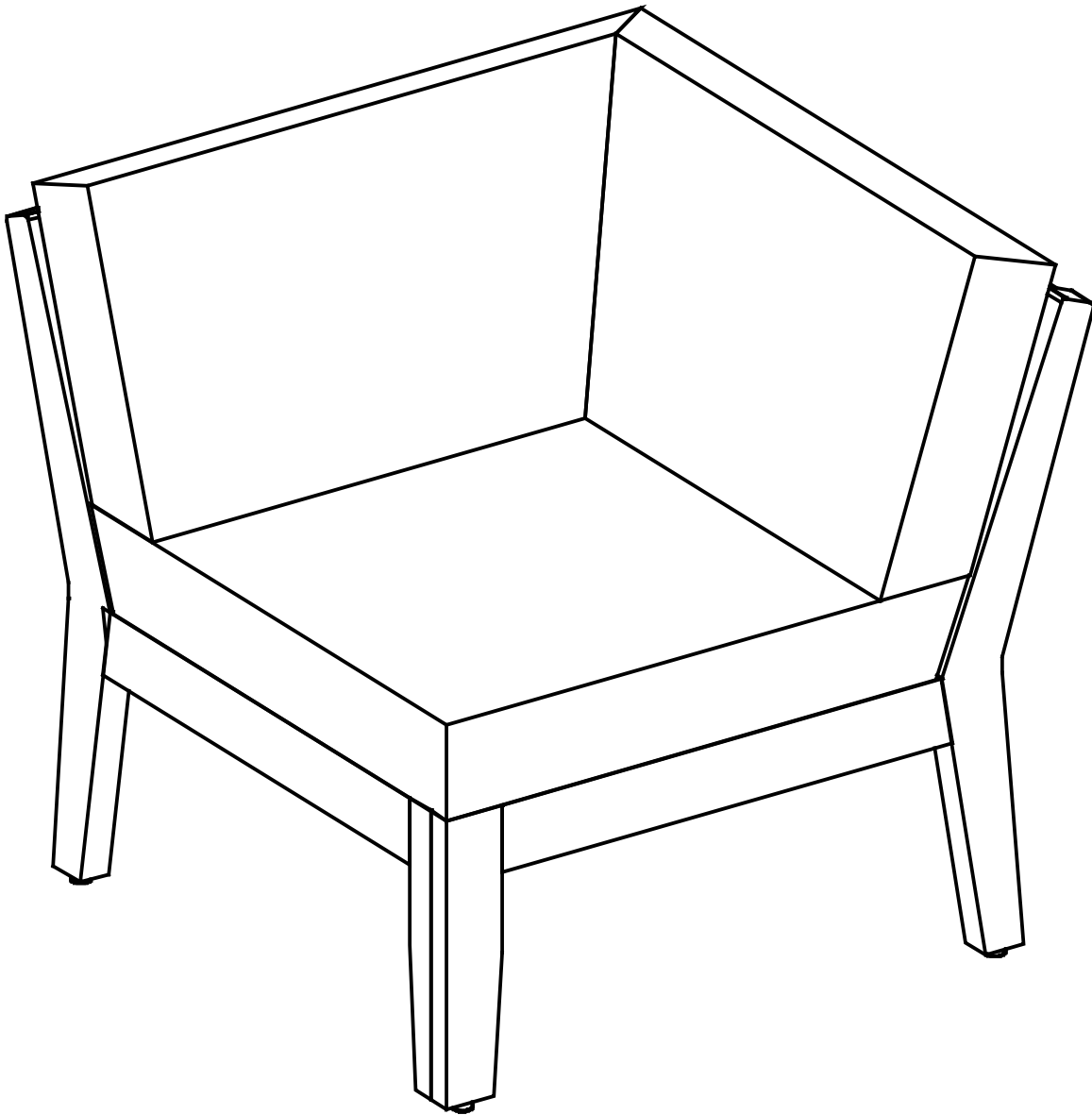


Assembly Instructions

Caution: You must read this before you proceed.

Corner Chair

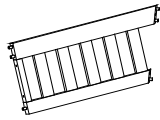
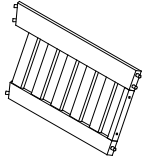
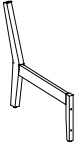
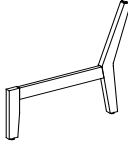


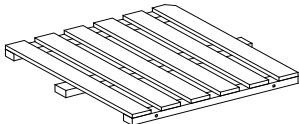
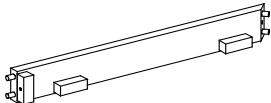
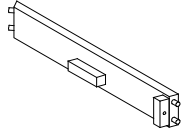
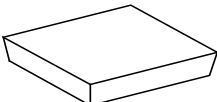
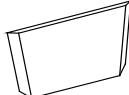
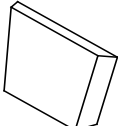


Caution: This Chair is NOT a TOY.






Keep your child/children at bay during the assembly process.

Whenever moving/lifting the Chair and to prevent damage to the Chair, two adults are needed to execute these actions.

Part List

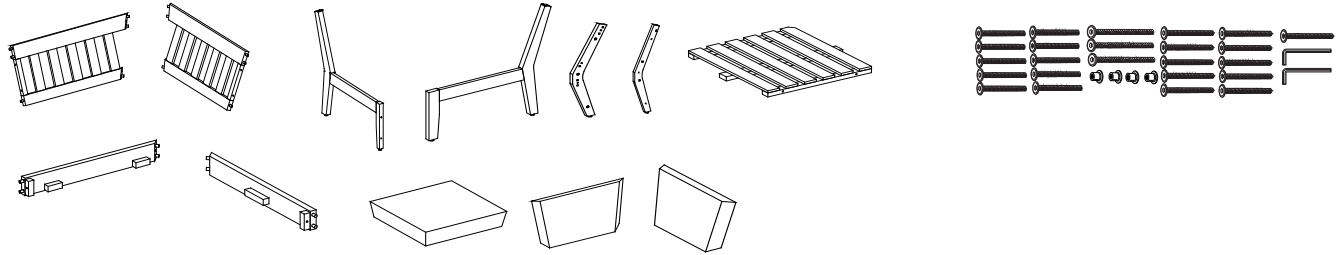
| No. | Picture | Description | Qty |
|-----|---|---|-----|
| C |  | Left Backrest Panel | 1 |
| D |  | Right Backrest Panel | 1 |
| E |  | Left Panel (with Pre-installed Levellers) | 1 |
| F |  | Right Panel (with Pre-installed Levellers) | 1 |
| G |  | Left Corner Leg | 1 |
| H |  | Right Corner Leg | 1 |
| O |  | Seat Panel | 1 |
| J |  | Left Back Support Bar | 1 |
| K |  | Right Back Support Bar | 1 |
| L |  | Seat Cushion | 1 |
| M |  | Left Back Cushion | 1 |
| N |  | Right Back Cushion | 1 |

Hardware

| No. | Picture | Description | Qty |
|-----|---|-------------------------|-----|
| ④ |  | Bolt (M6x35mm) | 10 |
| ⑤ |  | Bolt (M6x40mm) | 3 |
| ⑥ |  | Sleeve Nut (M6x15mm) | 4 |
| ⑦ |  | Screw (M6x55mm) | 11 |
| ⑧ |  | Allen Key | 2 |

Assembly Preparation

Before Beginning Assembly:



Read instructions, cover to cover.



Have 2 adults on hand for assembly.



Do not assemble on flooring or carpet.



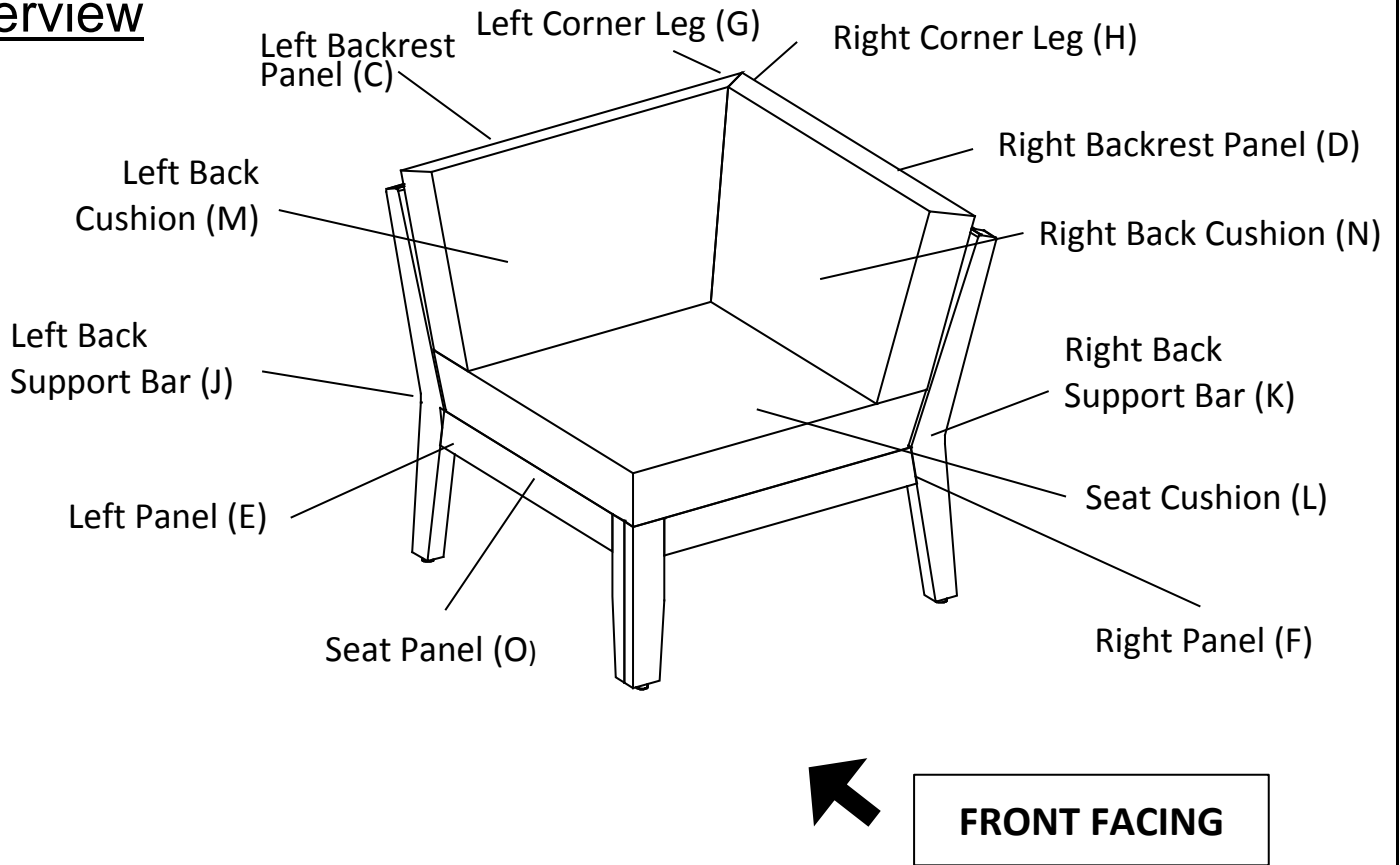
Assemble on a clean non-marring surface (packing foam).



Save all packaging until finished.

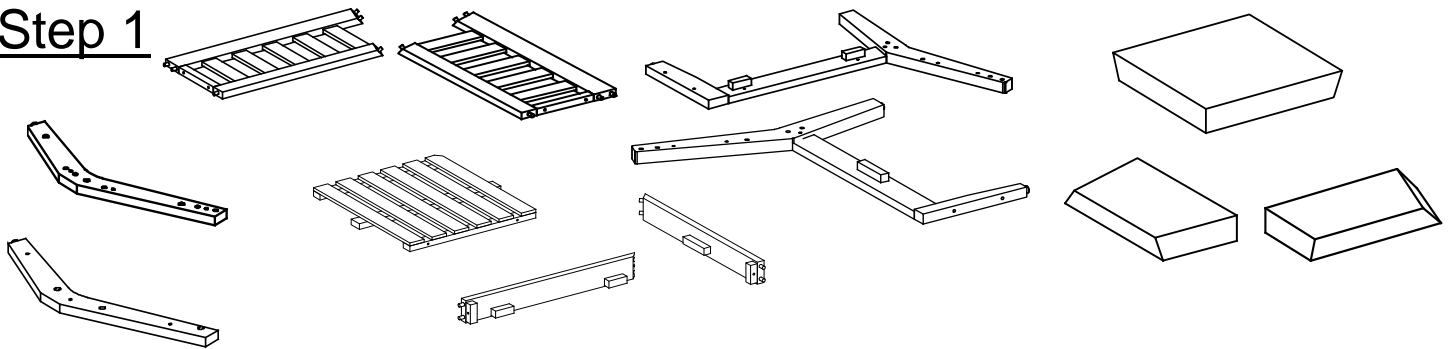
Assembly Steps

Overview



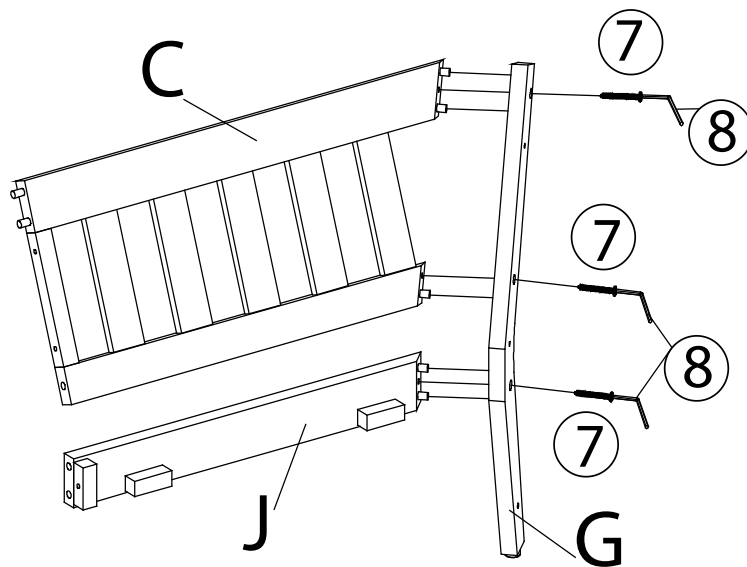
This Left Chair has multiple parts and may require up to 30 minutes to assemble. To give you an overview of the Left Chair parts, the above picture is to help you put the various parts into perspective. Please read through the instructions below to familiarise yourself with the parts and steps before assembly.

Step 1



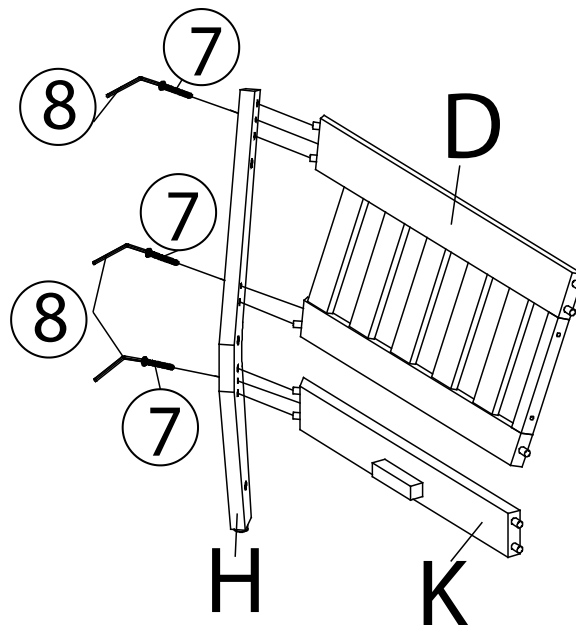
Unpack and place all parts on a clean, non-marring surface.

Step 2



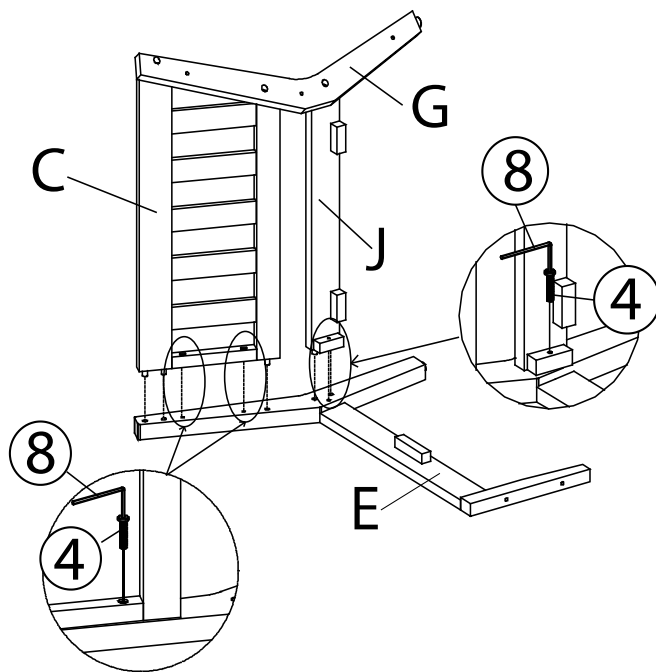
With the help of your adult partner, position the Left Leg(G) as pictured. Insert dowels on Left Back Support Bar(J) and Left Backrest Panel(C) into mountings on the Left Corner Leg(G). Attach Back Support Bar(H) and Left Backrest Panel(C) to Left Corner Leg(G) using Screws(7) with Allen Key(8). **Do not fully tighten the Screws.**

Step 3



Insert dowels on Right Back Support Bar(K) and Right Backrest Panel(D) into mountings on Right Corner Leg(H) as shown above. Attach Right Back Support Bar(K) and Right Backrest Panel(D) to Right Corner Leg(H) using Screws(7) with Allen Key(8). **Do not fully tighten the Screws.**

Step 4

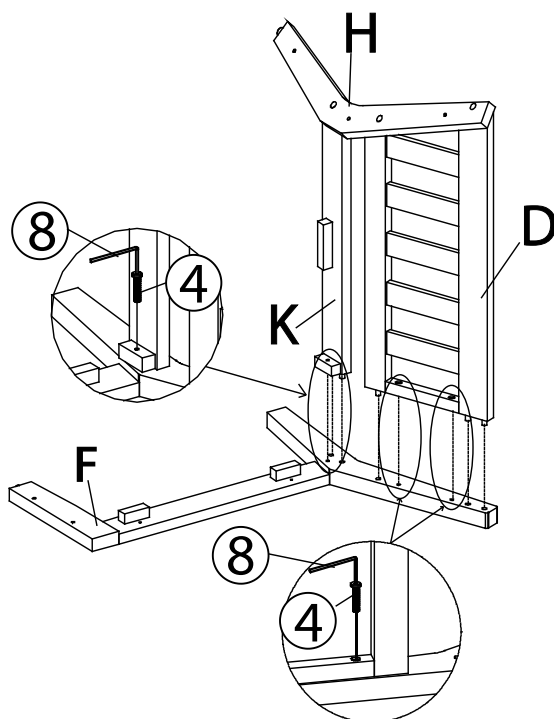


Insert dowels on Left Back Support Bar(J) and Left Backrest Panel(C) into mountings on Left Panel(E).

Attach Left Back Support Bar(J) and Left Backrest Panel(C) to Left Panel(E) using Bolts(4) with Allen Key(8).

Do not fully tighten the Bolts.

Step 5

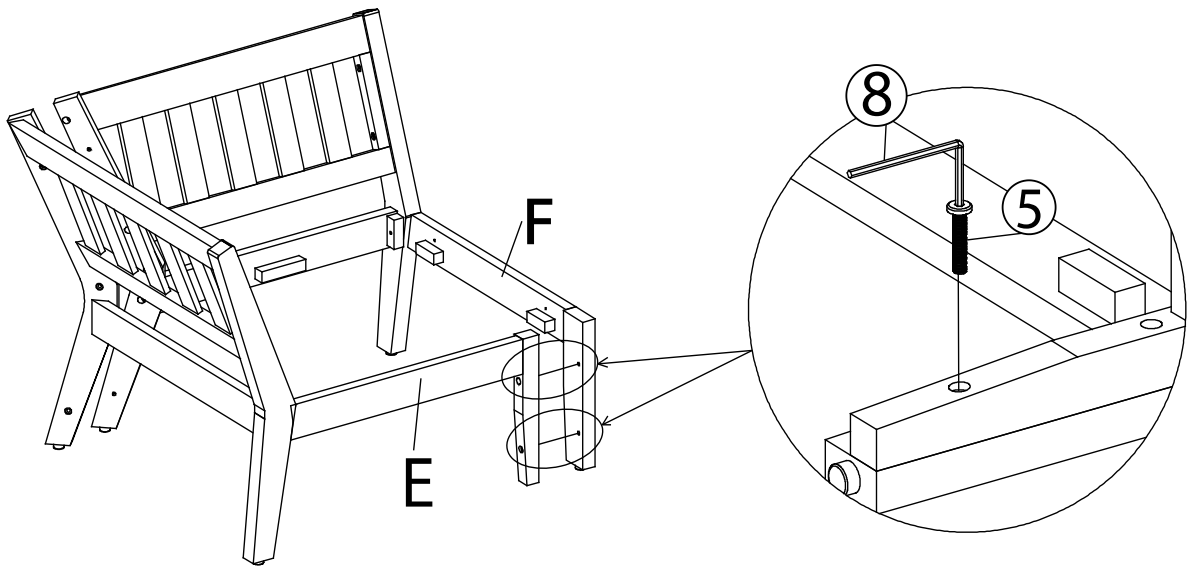


Insert dowels on Right Back Support Bar(K) and Right Backrest Panel(D) into mountings on Right Panel(F).

Attach Right Back Support Bar(K) and Right Backrest Panel(D) to Right Panel(F) using Bolts(4) with Allen Key(8).

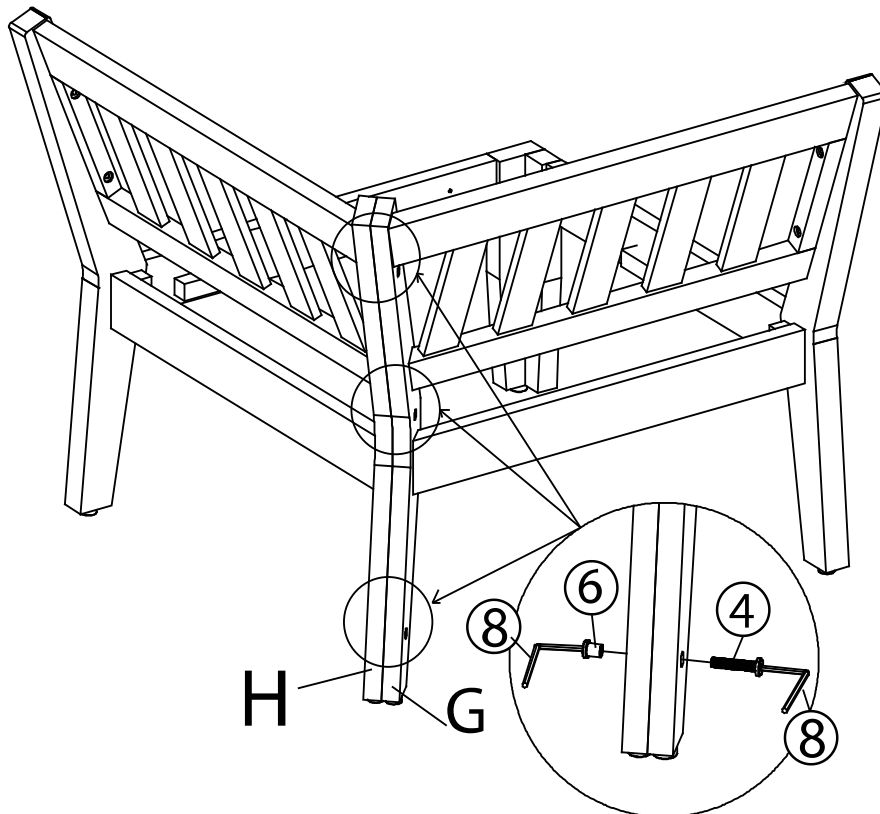
Do not fully tighten the Bolts.

Step 6



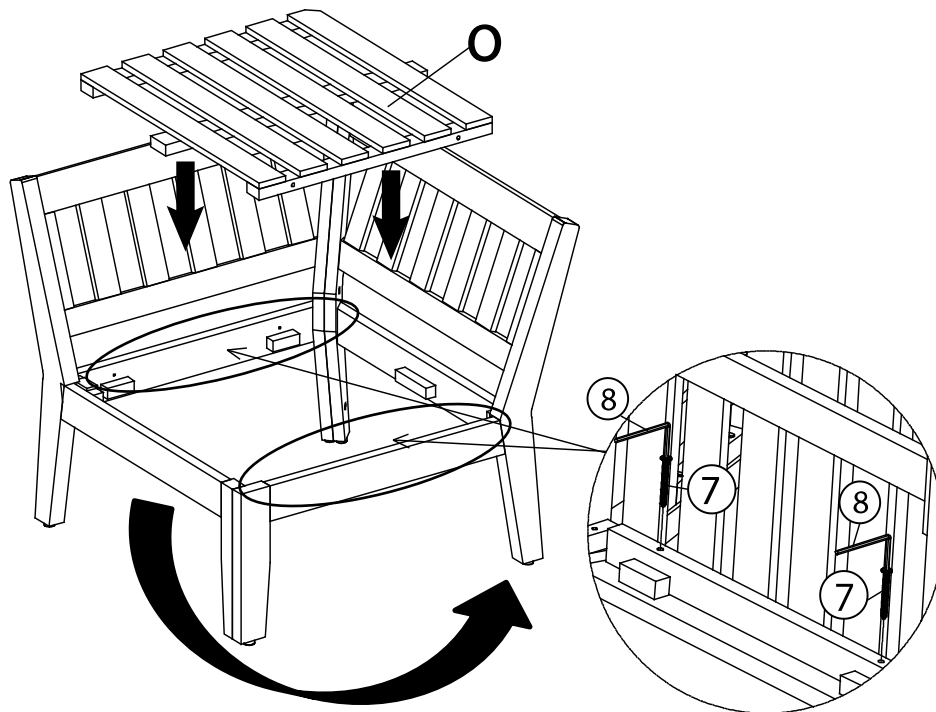
Align the Left Panel(E) to Right Panel(H) and attach using Bolts(5) with Allen Key(8).
Do not fully tighten the Bolts.

Step 7



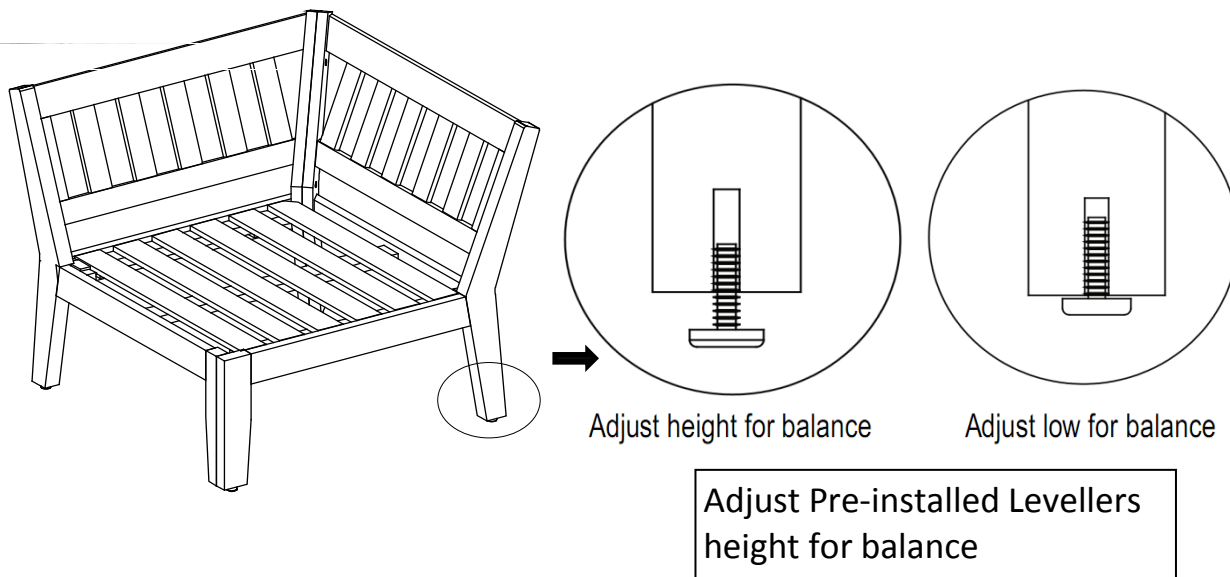
Align Left Corner Leg(G) to Right Corner Leg(H) as shown above.
Attach Left Corner Leg(G) to Right Corner Leg(H) using Bolts(4) and Sleeve Nuts(6)
with Allen Keys(8).
Do not fully tighten the Bolts.

Step 8



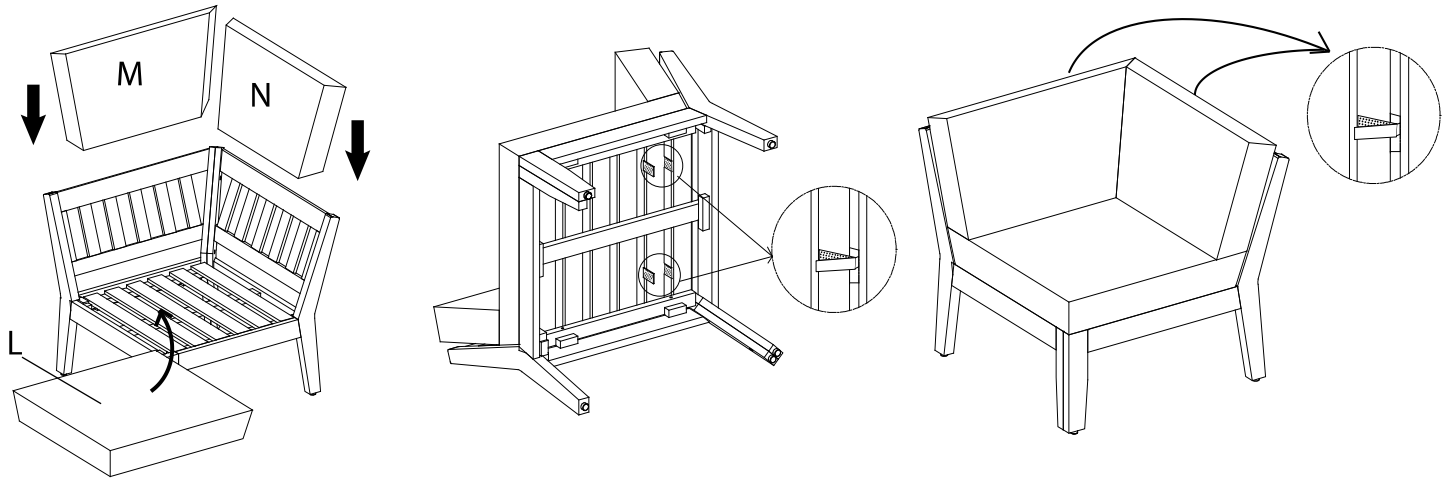
Insert the Seat Panel(O) into the Chair frame as shown in picture above.
Attach Seat Panel(O) to Chair frame using Screws(⑦) with Allen Key(⑧).
Note: Insert Screws(⑦) from inside to outside of Seat Panel(O).
Do not fully tighten the Screws.

Step 9



Inspect the Chair and make sure all parts are adequately connected.
Carefully sit onto the Chair. This pressure will help align all parts at all joints.
In a sequential manner, tighten all Bolts and Screws at all joints.
Adjust the Levellers until the Chair is level with the ground.
To adjust the Levellers, get assistance from an adult partner to lift/lean and hold the Chair while you are working.

Step 10

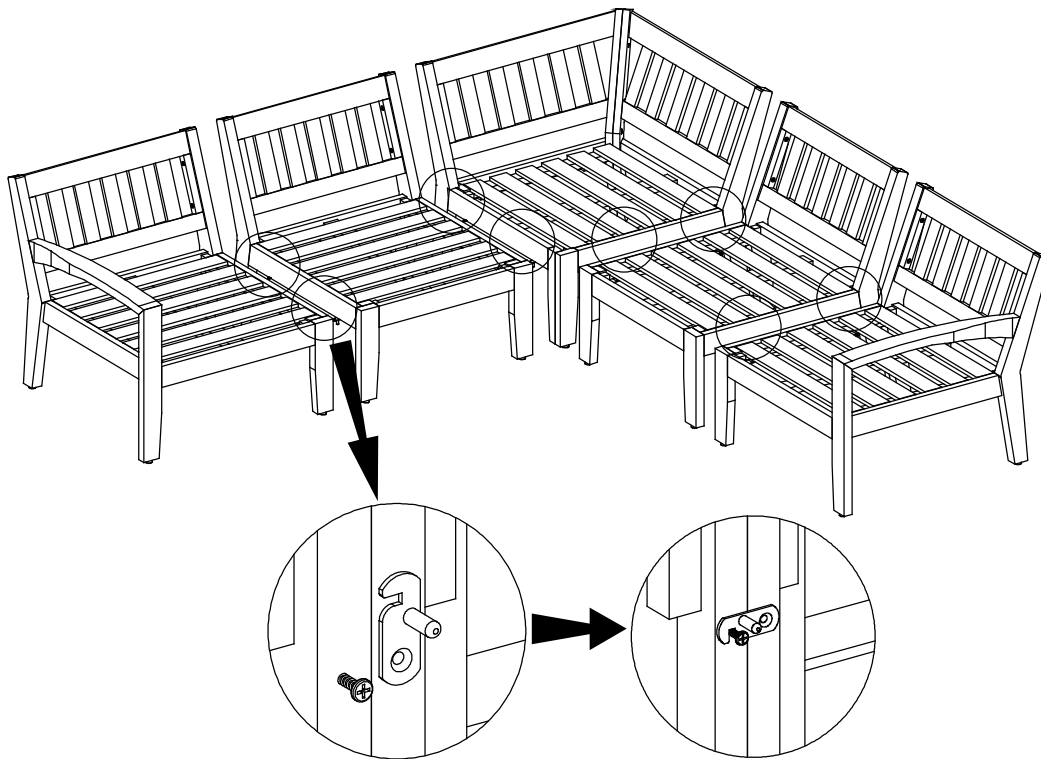


Place Seat Cushion(L), Left Back Cushion(M) and Right Back Cushion(N) onto the Chair, and affix the velcro straps around the Chair as shown above.

Your Corner Chair is ready for use.

This Corner Chair can only be used on a flat, level surface.



















Step 11



With assistance from your adult partners, place the Chairs facedown and connect the pre-attached clips to connect the Chairs together.

Note: This is an optional step in case you want to connect all the Chairs in the set together and should be performed before affixing the cushions.

Care & Maintenance

-   ● Do not put hot items directly on furniture surface
 -   ● Do not clean furniture with harsh cleansers or polish.
 -   ● To obtain the longest lifespan of your outdoor products, minimizing exposure to direct sunlight is recommended.
 -   ● Children should not climb or jump on the furniture.
 -   ● Do not write on furniture without a padded barrier to protect the surface.
 -   ● To obtain the longest lifespan of your outdoor products, avoid extended and lengthy exposure to rain, snow, and direct sunshine. Whenever possible cover the product and /or place under patio or awnings.
 -   ● Not for commercial use. For residential use only .
 -   ● Stains may be removed with mild soap solution and damp cloth.
-
-   ● Dust and pick-up spills using a clean, non-colored, lint-free cloth .