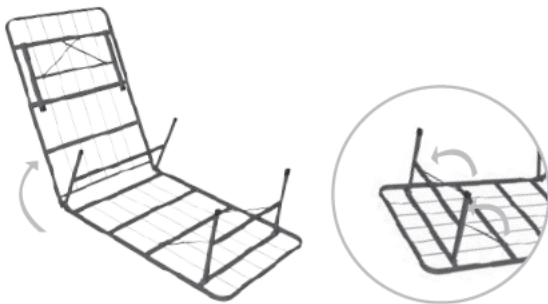




Step 1 Pull out all components out of the box and lay them out floor.



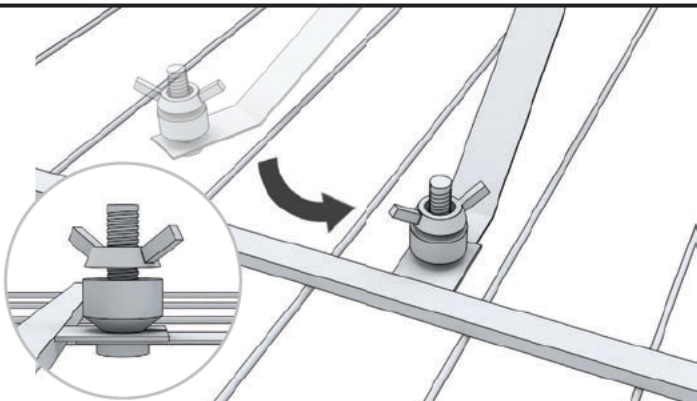
Step 5 The two center legs do not require wing nuts. They lock in to place using a hinge that supports the middle of the foundation.



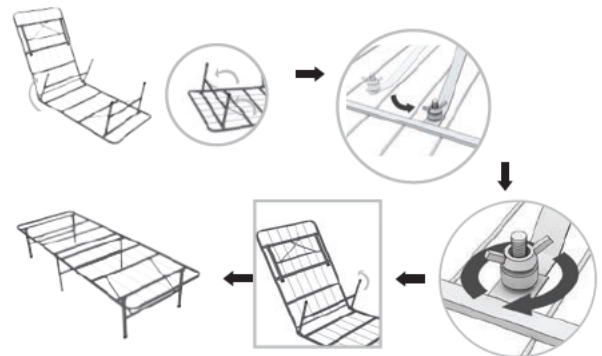
Step 2 Unfold one of the foundations to lay flat. Raise all six legs to upright position. (middle pair and both end pairs)



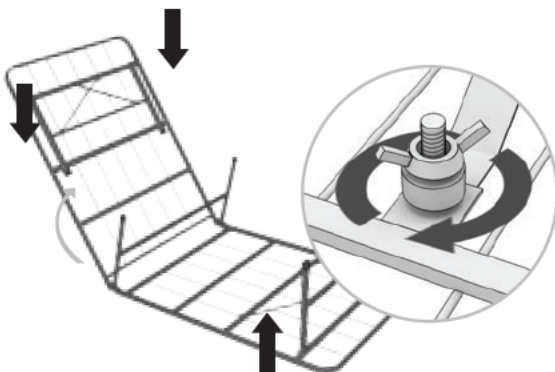
Step 6 Flip the foundation over to stand upright.



Step 3 Each of the four legs have separate support arms. Rotate support arms to hook on the C-shaped screw joint on the frame as shown in above diagram. Fasten the wing nut to the bolt.



Step 7 Follow the same above steps to assemble the other foundation unit.



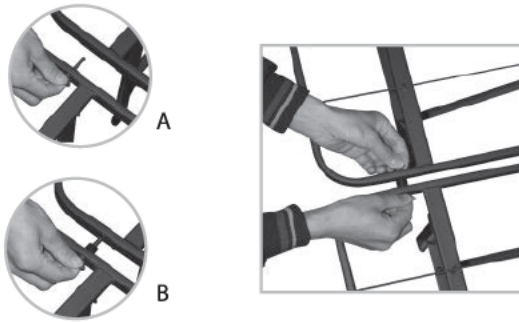
Step 4 Hold support arm in place and tighten the wing nut to create a secure fitting. Repeat the same process for ALL FOUR end legs, making sure all wing nuts are tightly secured.



Step 8 Align the two units next to each other. Please note that the inside edges have holes in the side rail. These holes should be lined up in preparation for Step 9.

SmartBase® Dual-Base Foundation Instructions

For Full, Queen, King, Cal King Size



Step 9

Secure the two foundations together by inserting a bolt through the holes in the side rail as shown in diagram A. There are two bolts, one for each end of the foundation.

Then place the plastic washer on the bolt between the two foundations as shown in diagram B. The two foundations become one unit by screwing the wing nut to the bolts.



Step 10

Inspect all wing nuts to be sure they are still tight and all legs are perfectly upright.



Step 11

Lay the bed skirt over the foundation as shown, when bed skirt is purchased as separate item.



Step 12

Now your SmartBase® Foundation is ready for your mattress.

5-Year Limited Warranty Statement For Manufacturing Defects

Please read this Limited Warranty carefully. To maintain your Warranty, you will need to comply with the conditions stated here. This warranty is for manufacturing defects only and does not cover damages as a result of misuse.

1. Please maintain this Warranty Statement in a safe place along with your dated sales receipt. If you need to return your Premium Smartbase Platform Bed Frame, please follow the specified return-policy instructions.
2. Your new Premium Smartbase Platform Bed Frame comes with 5-year warranty against manufacturing defects that may compromise the sleep quality provided by the Premium Smartbase Platform Bed Frame. The warranty starts on the date of purchase. No warranty will be honored without an original sales receipt. The warranty and financial responsibility of the manufacturer only applies to the Premium Smartbase Platform Bed Frame itself and does not extend to mattresses that are used on the Premium Smartbase Platform Bed Frame.
3. Manufacturing defects include circumstances where Premium Smartbase Platform Bed Frame has broken under normal use and no longer provides proper support for your mattress. Proper support is defined as a smooth, flat, rigid surface. In the event you encounter a manufacturing defect, please stop using this product immediately and call customer service.
4. This warranty applies only when Premium Smartbase Platform Bed Frame has been properly used by consumers who purchased Premium Smartbase Platform Bed Frame from authorized dealers as a new product. Proper use means using the foundation on a level surface with an equal distribution of weight. Proper use also means that Premium Smartbase Platform Bed Frame was not abused by the consumer, as defined by the manufacturer, including not exceeding weight capacity of 2000 pounds for the Twin, TwinXL, Full Size or 4000 pounds for the Queen Size, does not constitute agreement to replace other parts.
5. If Premium Smartbase Platform Bed Frame fails due to manufacturing defects, the manufacturer will repair or replace at its discretion and reserves the right to substitute comparable materials or models and does not guarantee that the replacement part will match the existing piece or foundation.
6. In the event Premium Smartbase Platform Bed Frame needs to be inspected by the manufacturer to determine a warranty claim, the transportation cost or removal cost is borne by the consumer.