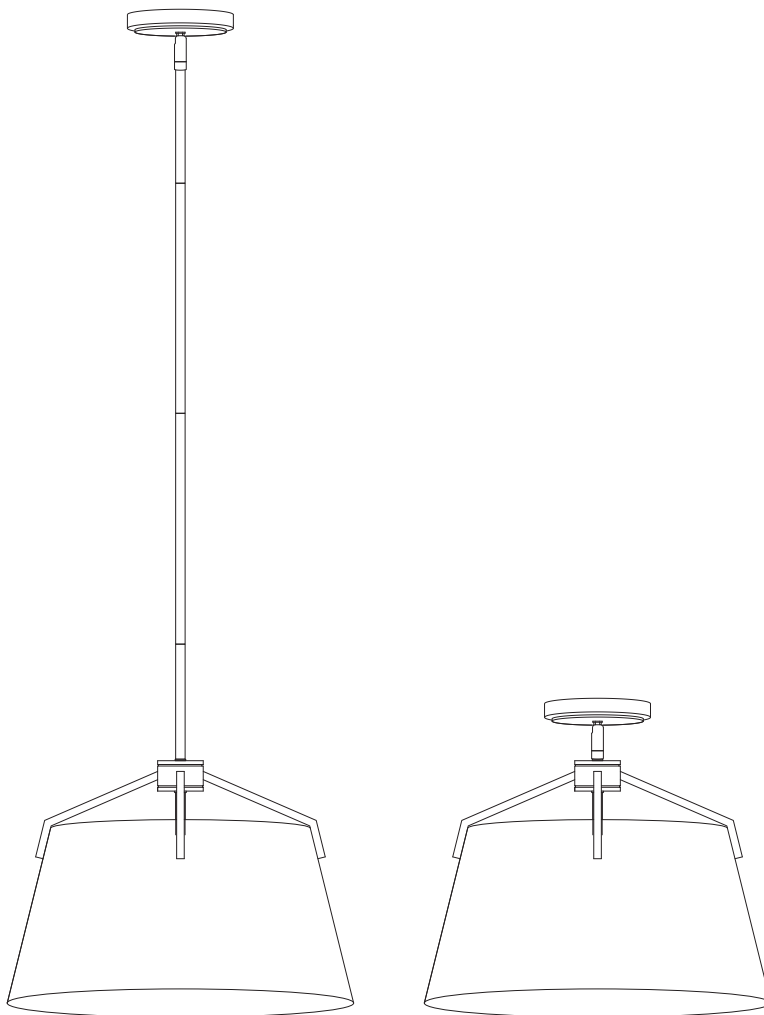


LIGHTANIA®

Item:PLS00400BG



Pendant Light & Flush Mount

INSTRUCTION MANUAL

IMPORTANT: READ CAREFULLY AND KEEP.



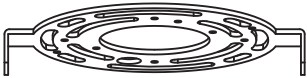
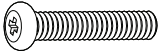


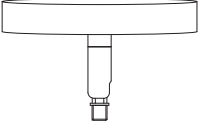



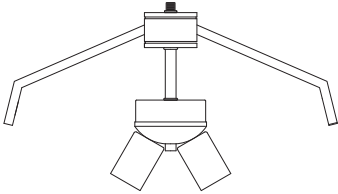
LIGHTANIA Lighting

Email: customercare@lightania-lighting.com


Website: <https://lightania-lighting.com>

Made In China

INCLUDED HARDWARE

ITEM	DESCRIPTION	QUANTITY
A 	Mounting bracket	x1
B 	Junction box screw	x2
C 	Wire connector	x3
D 	Screw	x2
E 	Ceiling pan	x1
F 	6" tube (use for pendant)	x2
G 	12" tube (use for pendant)	x2
H 	Decorative nut	x6
I 	Socket cup	x1

INCLUDED HARDWARE

ITEM	DESCRIPTION	QUANTITY
J 	Shade	x1

⚠ SAFETY INFORMATION

Please read and understand this entire manual before attempting to assemble, operate, or install the product.

⚠ WARNING:

Turn off electricity at the main fuse box (or circuit breaker box) before beginning installation by removing the fuse (or switching off the circuit breaker).

Be careful not to damage or cut the wire insulation (covering) during fixture installation. Do not permit wires to contact any surface having a sharp edge. To do so may damage or cut the wire insulation, which could cause serious injury or death from electric shock.

⚠ CAUTION :

All electrical connections must be in agreement with local codes, ordinances, or the National Electric Code (NEC). Contact your municipal building department to learn about your local codes, permits, or inspections.

Risk of fire - most dwellings built before 1985 have supply wire rated for 140°F /60°C. Consult a qualified electrician before installation.

Do not connect this fixture to an electrical system that does not provide a means for equipment grounding. Never use a fixture in a two-wire system that is not grounded, if you are not sure your lighting system has a grounding means, do not attempt to install this fixture. Contact a qualified, licensed electrician for information with regard to proper grounding methods as required by the local electrical code in your area.

STEP-BY-STEP INSTALLATION

PREPARATION

Before beginning assembly, installation, or operation of the product, make sure all parts are present. Compare parts with the package contents list and diagram from the previous page. If any part is missing or damaged, do not attempt to assemble, install, or operate the product. Contact customer service for replacement parts.

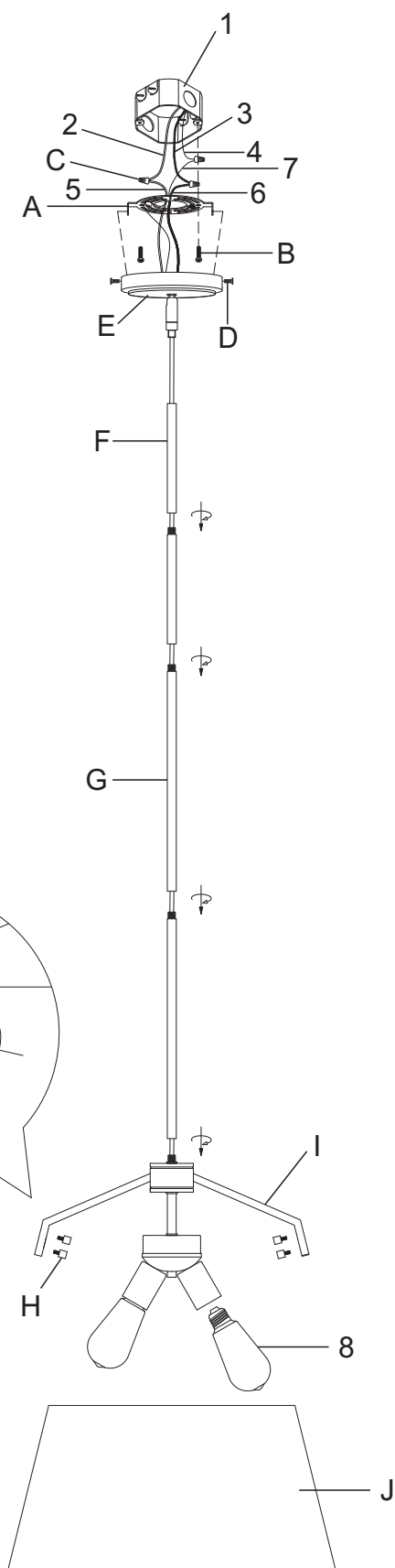
Turn off the main power at the circuit breaker before installing and servicing the fixture to prevent possible injury from electric shock.

Tools Required for Assembly (not included): Philips Screwdriver, Pliers, Electrical Tape, Safety Glasses, Ladder.

INSTALLATION & ASSEMBLY(USE FOR PENDANT)

1. Pull the supply wires (2 & 3) and the house ground wire (4) out from the outlet box (1) and attach the mounting bracket (A) to the outlet using the slotted holes on the mounting bracket (A) and the junction box screws (B) provided.
2. Determine the desired hanging height. Feed fixture wires through center tube (G & F) and ceiling pan (E). Connecting 12" tube (G) to the socket cup (I), 12" tube (G) to tube (G / F), tube (G / F) to ceiling pan (E) and turn clockwise until firmly tighten.
3. Connect the power supply wires to the fixture lead wires by connecting the black fixture wire (6) to the black supply wire (3), and the white fixture wire (5) to the white supply wire (2) using wire connector (C). Connect the fixture ground wire (7) to the house ground wire (4) by fixed on the mounting bracket (A).
4. Carefully tuck all wiring back into the outlet box (1). Place the ceiling pan (E) over the outlet box (1) and insert the two fixture screws (D) and tighten to secure the ceiling pan (E) to the ceiling.
5. Final assembly - Attach the shade (J) over socket cup (I), tighten the shade (J) to socket cup (I) with decorative nut (H). Install the light bulb (8) in accordance with the fixture's specifications. Do not exceed the maximum recommended wattage.
6. Installation complete, restore power at the circuit breaker and turn light switch on to activate this fixture.

STEP-BY-STEP INSTALLATION



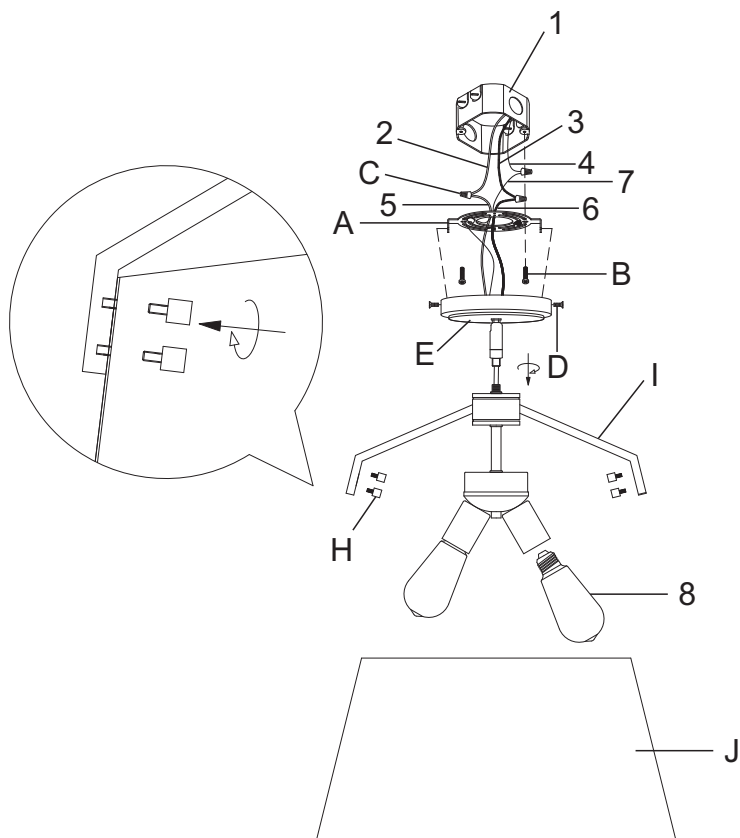
- 1. OUTLET BOX(EXCLUDED)
- 2. WHITE SUPPLY WIRE
- 3. BLACK SUPPLY WIRE
- 4. HOUSE GROUND WIRE
- 5. WHITE FIXTURE WIRE
- 6. BLACK FIXTURE WIRE
- 7. FIXTURE GROUND WIRE
- 8. BULB(EXCLUDED)
- A. MOUNTING BRACKET
- B. JUNCTION BOX SCREW
- C. WIRE CONNECTOR
- D. SCREW
- E. CEILING PAN
- F. 6" TUBE
- G. 12" TUBE
- H. DECORATIVE NUT
- I. SOCKET CUP
- J. SHADE

STEP-BY-STEP INSTALLATION

INSTALLATION & ASSEMBLY(USE FOR FLUSH MOUNT)

1. Pull the supply wires (2 & 3) and the house ground wire (4) out from the outlet box (1) and attach the mounting bracket (A) to the outlet using the slotted holes on the mounting bracket (A) and the junction box screws (B) provided.
2. Remove the dental tube from the ceiling pan (E). Feed fixture wires through ceiling pan (E). Connecting socket cup (I) to ceiling pan (E) and turn clockwise until firmly tighten.
3. Connect the power supply wires to the fixture lead wires by connecting the black fixture wire (6) to the black supply wire (3), and the white fixture wire (5) to the white supply wire (2) using wire connector (C). Connect the fixture ground wire (7) to the house ground wire (4) by fixed on the mounting bracket (A).
4. Carefully tuck all wiring back into the outlet box (1). Place the ceiling pan (E) over the outlet box (1) and insert the two fixture screws (D) and tighten to secure the ceiling pan (E) to the ceiling.
5. Final assembly - Attach the shade (J) over socket cup (I), tighten the shade (J) to socket cup (I) with decorative nut (H). Install the light bulb (8) in accordance with the fixture's specifications. Do not exceed the maximum recommended wattage.
6. Installation complete, restore power at the circuit breaker and turn light switch on to activate this fixture.

STEP-BY-STEP INSTALLATION



1. OUTLET BOX(EXCLUDED)
2. WHITE SUPPLY WIRE
3. BLACK SUPPLY WIRE
4. HOUSE GROUND WIRE
5. WHITE FIXTURE WIRE
6. BLACK FIXTURE WIRE
7. FIXTURE GROUND WIRE
8. BULB(EXCLUDED)
- A. MOUNTING BRACKET
- B. JUNCTION BOX SCREW
- C. WIRE CONNECTOR
- D. SCREW
- E. CEILING PAN
- H. DECORATIVE NUT
- I. SOCKET CUP
- J. SHADE

WARRANTY:

The company is proud to offer you a five (5) years limited warranty on manufacturing defects from the date of purchase for residential use only. The warranty is extended to the original owner in USA and Canada and is non-transferable. It does not apply to retailers, commercial applications or establishments. The original sales receipt is required for all warranty claims. The remedy under this limited warranty shall be product or part replacement at the company discretion as provided herein and cannot exceed the original purchase price.

This warranty is valid only on products installed in accordance with the building code and laws effective in the region where the unit is used as well as in accordance with the provided instruction manual. It does not cover products installed incorrectly or subjected to abnormal use. Product(s) or component part(s) may be required to be returned for inspection and verification.

Normal wear and tear, misuse, negligence, vandalism, improper maintenance (surface damage due to chemical interaction or cleaning agents including, but not limited to, scouring pads, use of cleaners containing abrasives, alcohol or other organic solvents) improper handling, accident, abuse, fire, flood, theft, acts of God, neglect, or alteration of product will not be covered under this limited warranty. It excludes any accessories that accompany the product including but not limited to bulbs or batteries.

This limited warranty is valid in the country of purchase and by the company authorized retailer only. The company will not be held responsible for any direct or consequential damages or injuries related to this product.

LIGHTANIA®

Home Lighting

**Questions, problems, missing parts?
Contact Lightania Customer Service. We are here to help.**

Email: customercare@lightania-lighting.com

Website: <https://lightania-lighting.com>

Retain this manual for future use.
