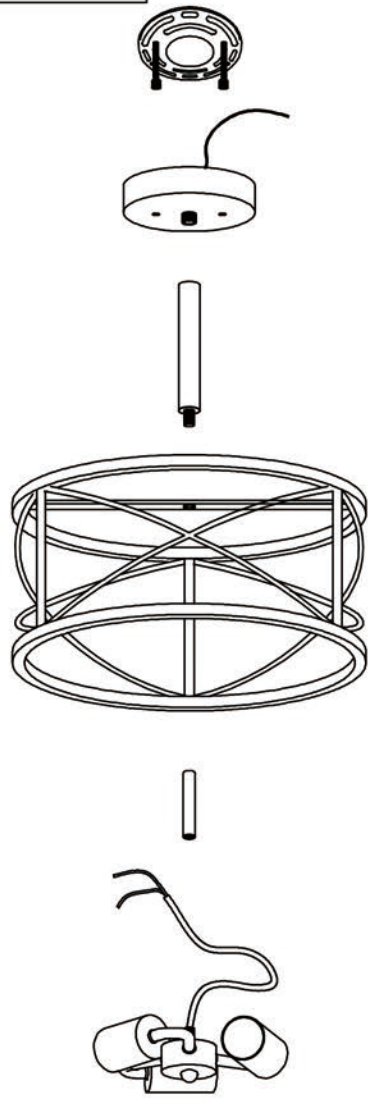
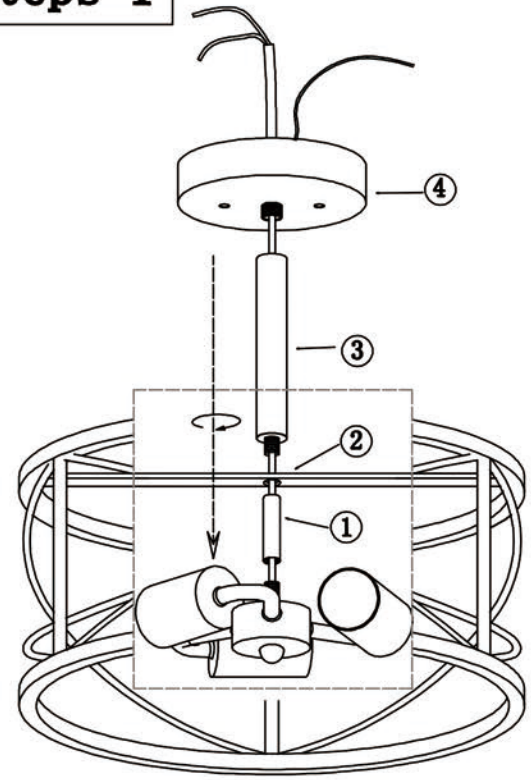


Parts

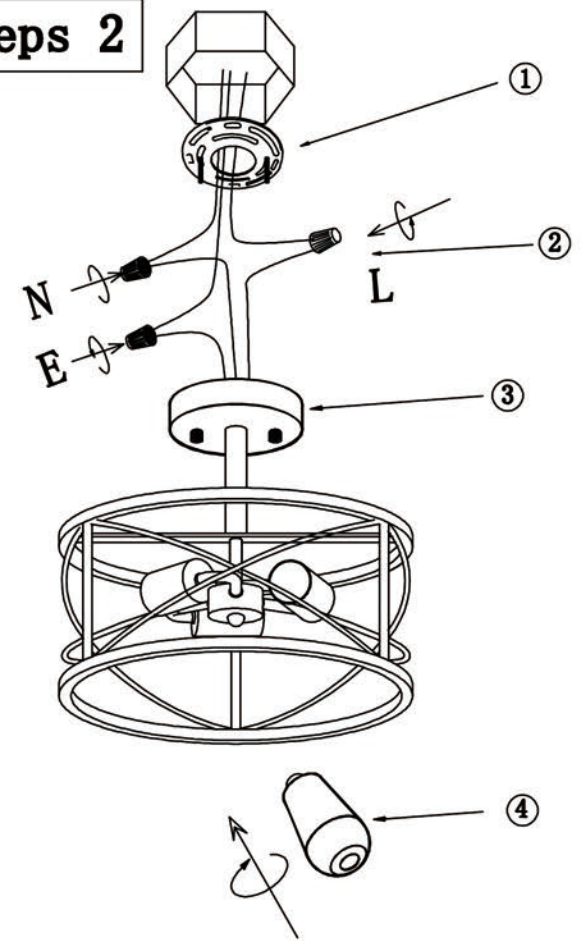


Steps 1



1. Let the wire go through the short tube 1, rotate to fix the tube 1 to the fixture.
2. Let the wire go through the middle hole 2 of the lampshade and big hanging tube 3, rotate tube 3 to install both the fixture.
3. Let the wire go through the canopy 4, rotate to fix the the canopy to the fixture.

Steps 2



1. Install the bracket to the ceiling junction box with screw.
2. Connect the wires to your home line with cap connectors.
3. Install the light fixture to the bracket with cap nuts.
4. Install the bulbs.