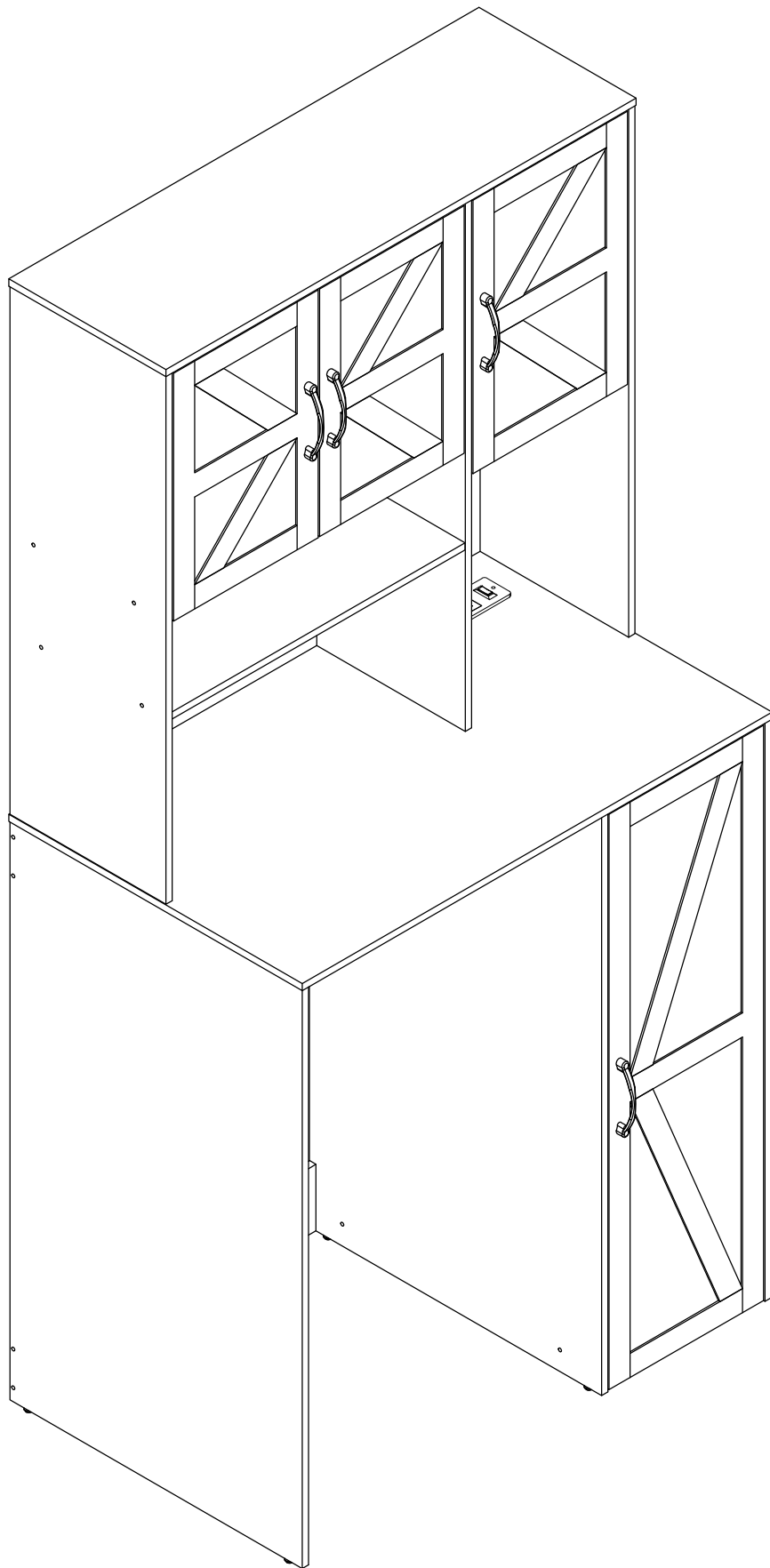
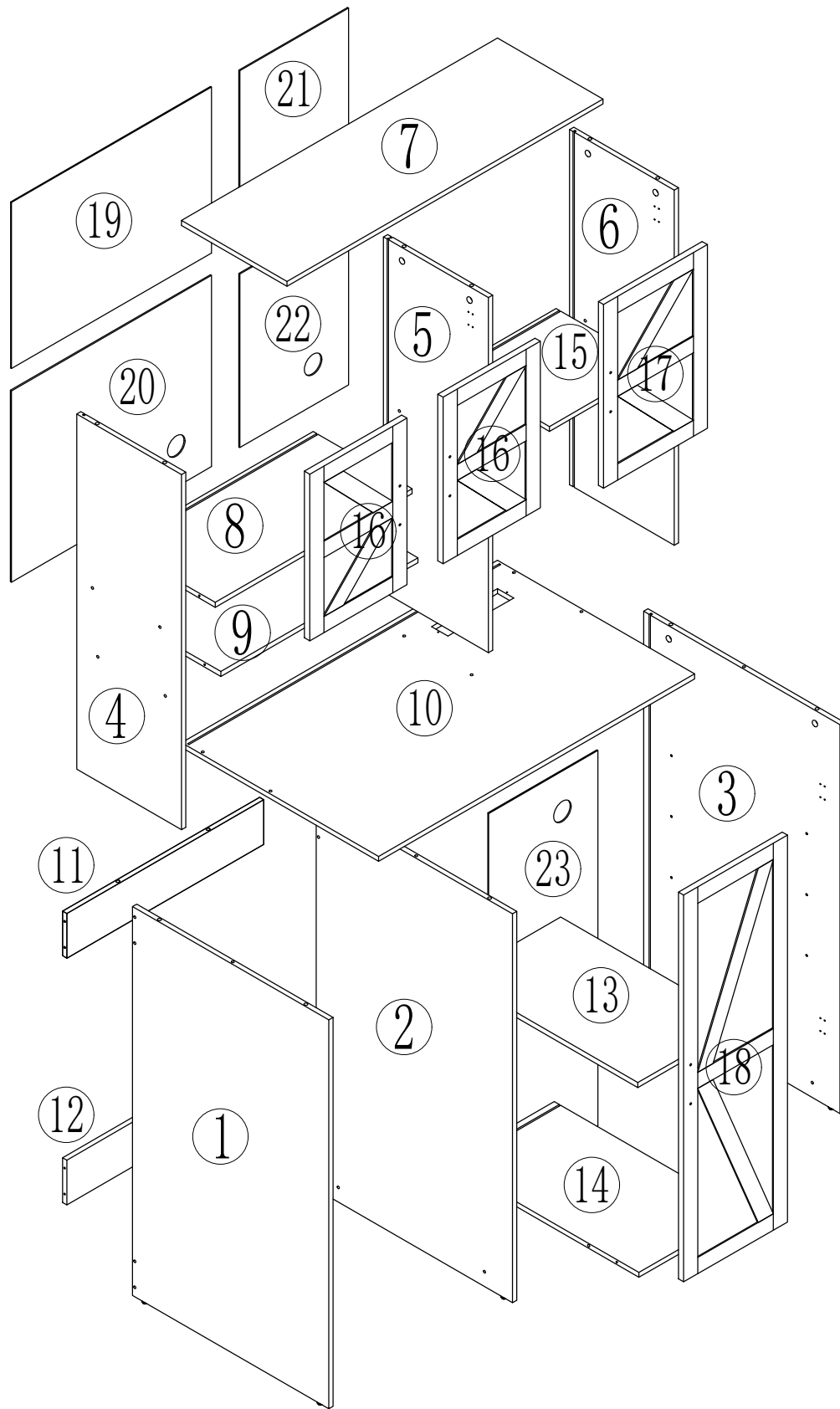


ASSEMBLY INSTRUCTION

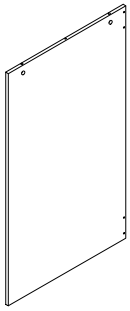


ASSEMBLY INSTRUCTION



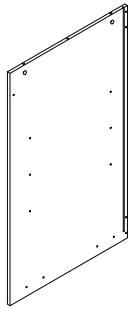
ASSEMBLY INSTRUCTION

1



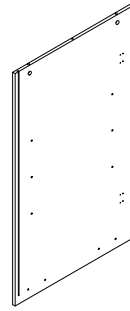
1PCS

2



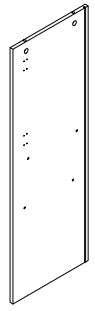
1PCS

3



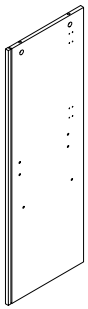
1PCS

4



1PCS

5



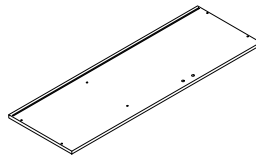
2PCS

6



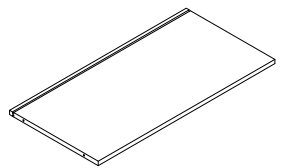
1PCS

7



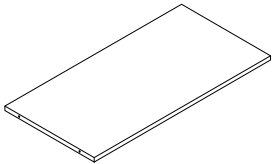
1PCS

8



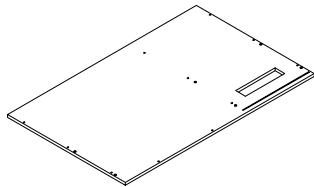
1PCS

9



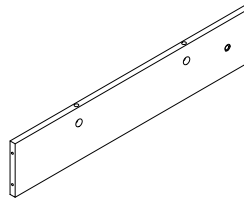
1PCS

10



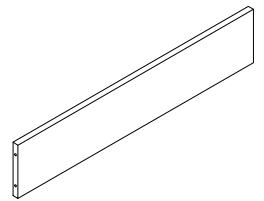
1PCS

11



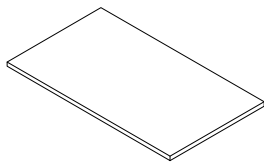
1PCS

12



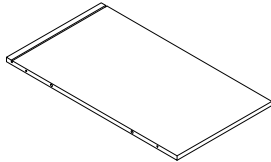
1PCS

13



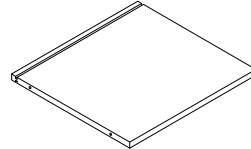
1PCS

14



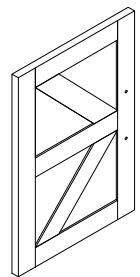
1PCS

15



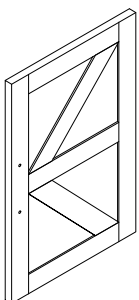
1PCS

16



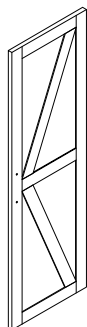
2PCS

17



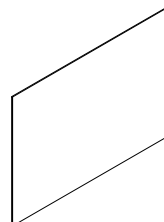
1PCS

18



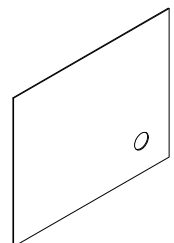
1PCS

19



1PCS

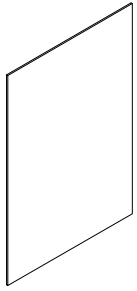
20



1PCS

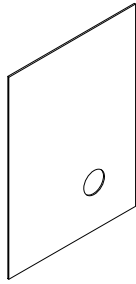
ASSEMBLY INSTRUCTION

21



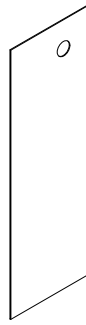
1PCS

22



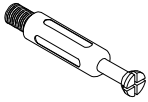
1PCS

23



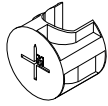
1PCS

A



14PCS

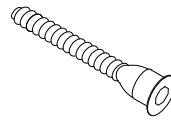
B



15*9.3mm

14PCS

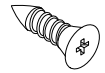
C



M5*38

30PCS

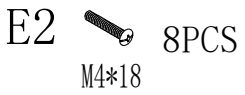
D



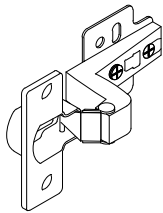
M3*12

72PCS

E

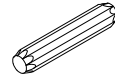


F



8PCS

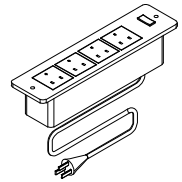
G



∅6mm*30

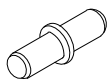
7PCS

H



1PCS

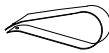
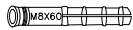
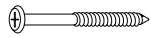
I



∅5*20mm

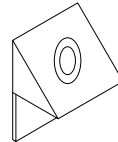
6PCS

J



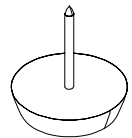
1PCS

K



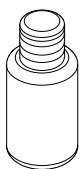
22PCS

L



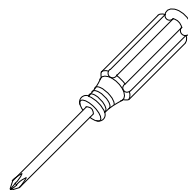
6PCS

P

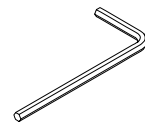


M6*10

2PCS



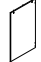
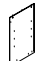
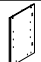

1PCS

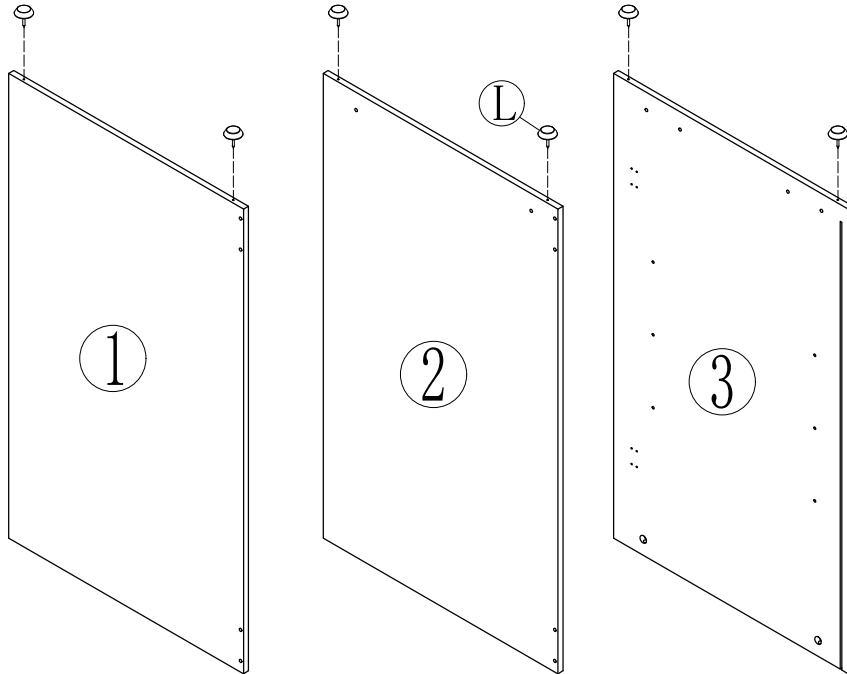


3MM
1PCS

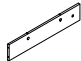


ASSEMBLY INSTRUCTION

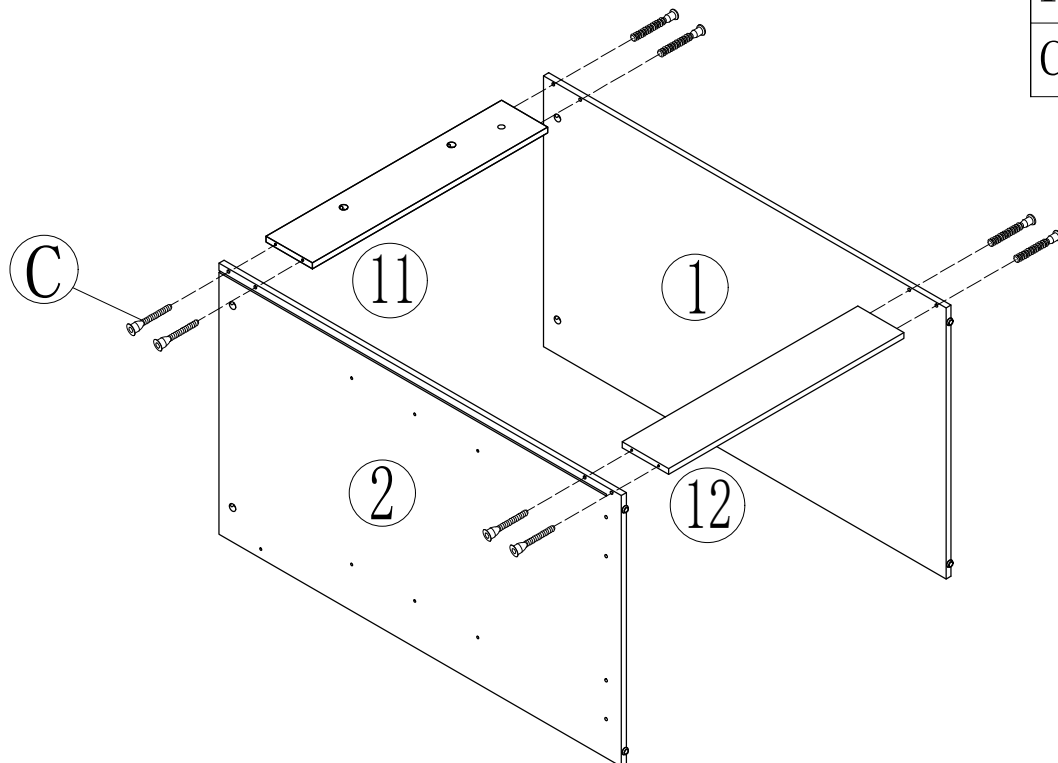
STEP 1

1		1PCS
2		1PCS
3		1PCS
L		6PCS




STEP 2

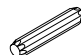
11		1PCS
12		1PCS
C		8PCS

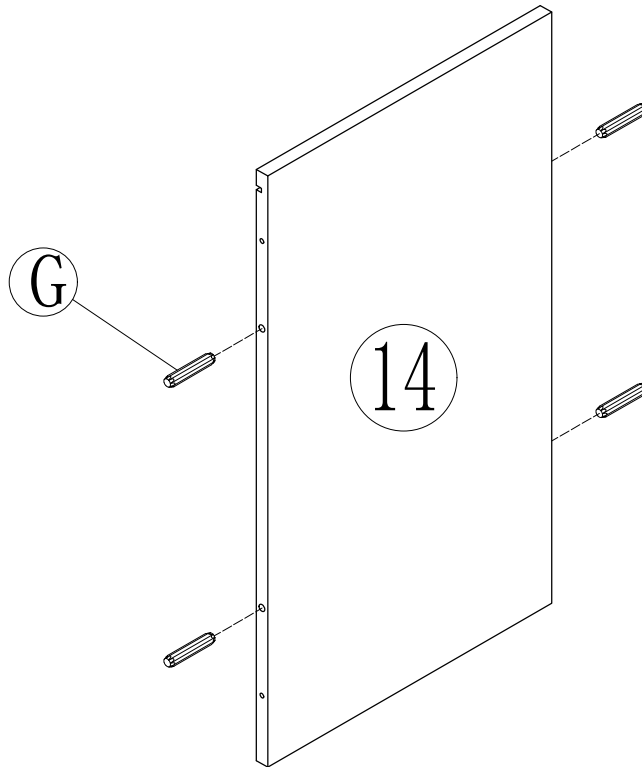


ASSEMBLY INSTRUCTION

STEP 3

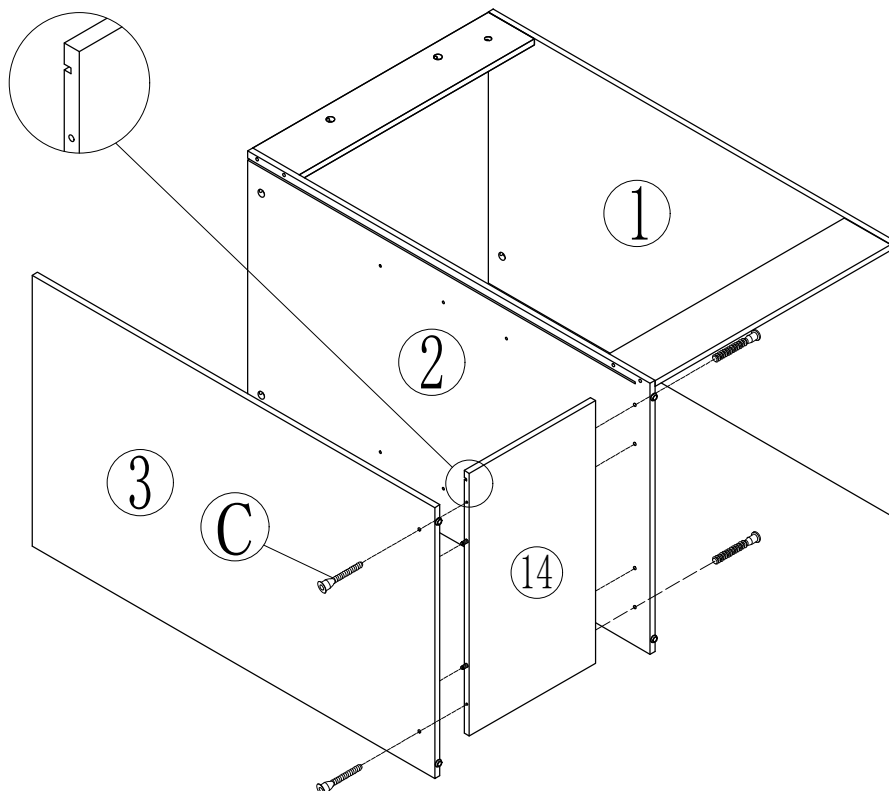
14  1PCS

G  4PCS



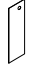
STEP 4

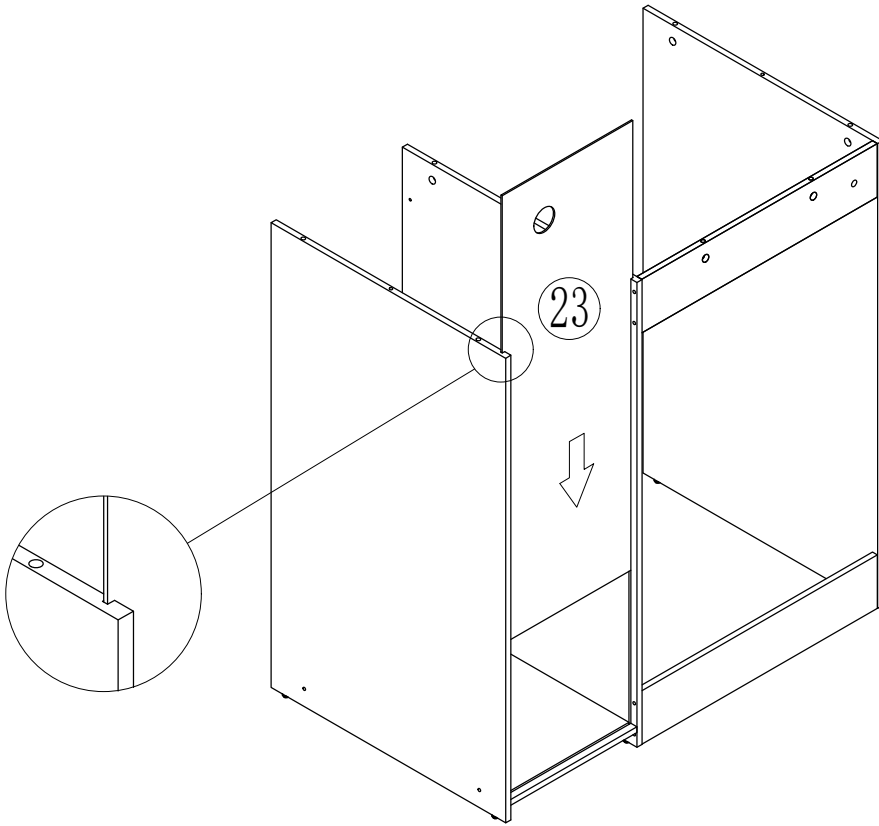
C  4PCS




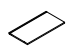
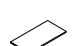
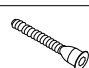
ASSEMBLY INSTRUCTION

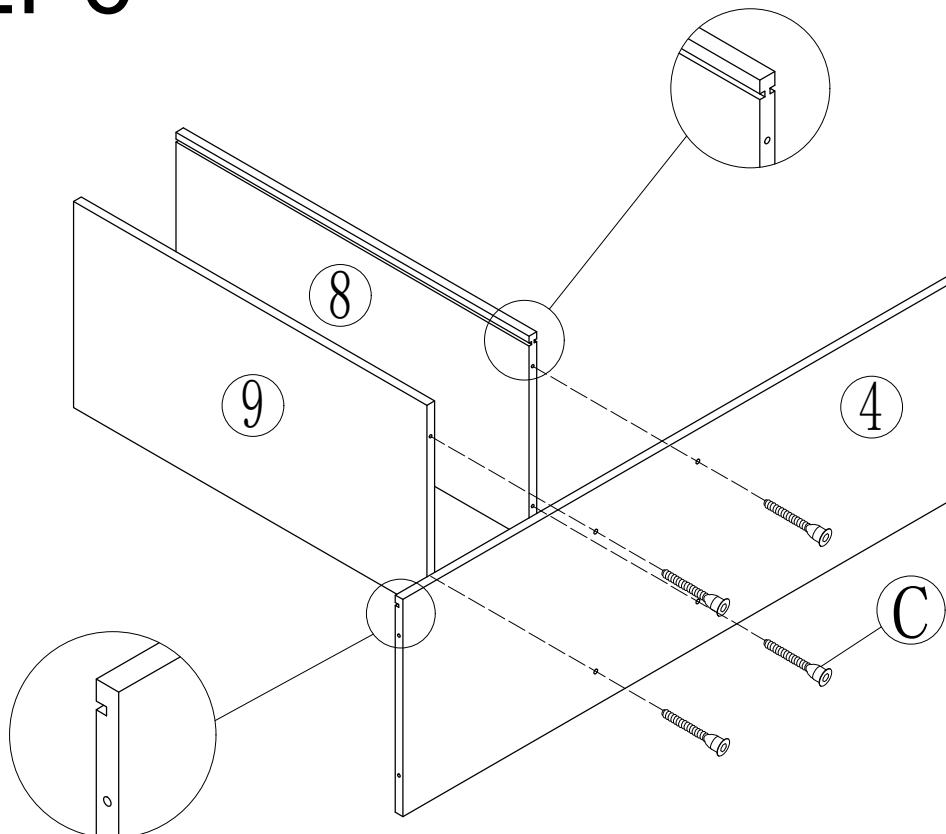
STEP 5

23  1PCS





STEP 6

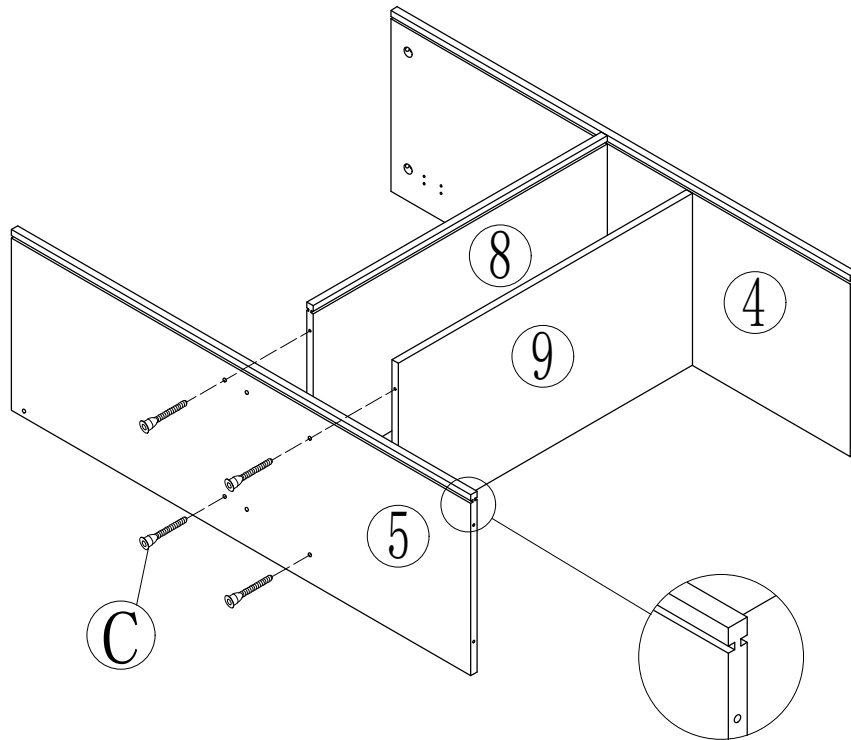
4		1PCS
8		1PCS
9		1PCS
C		4PCS



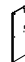
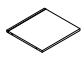

ASSEMBLY INSTRUCTION

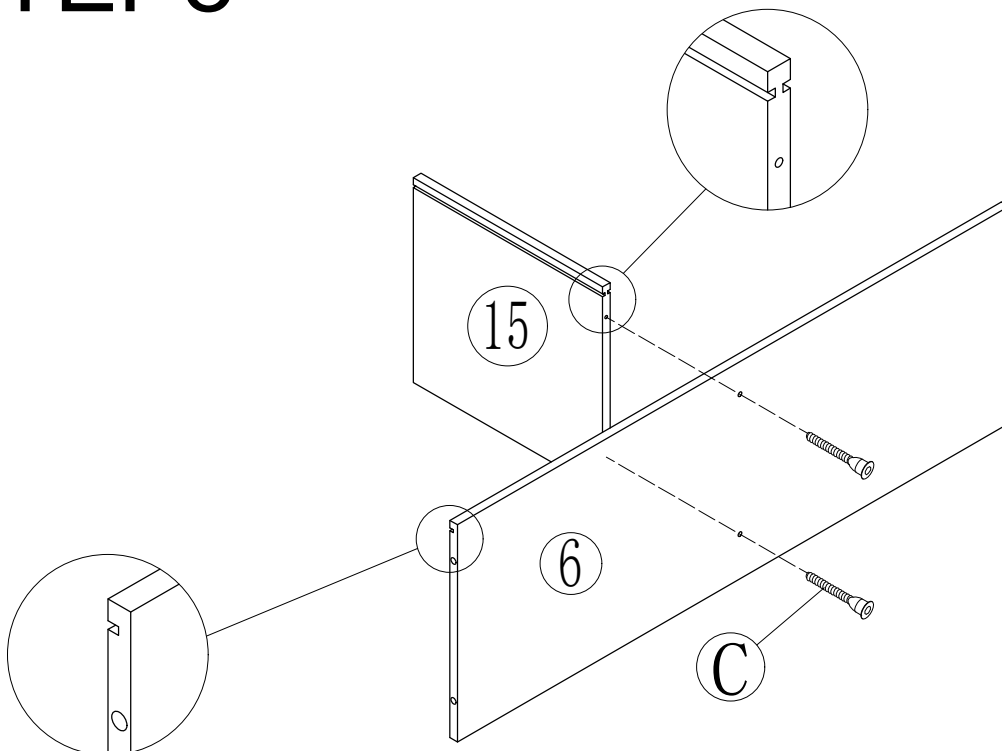
STEP 7

5		1PCS
C		4PCS



STEP 8

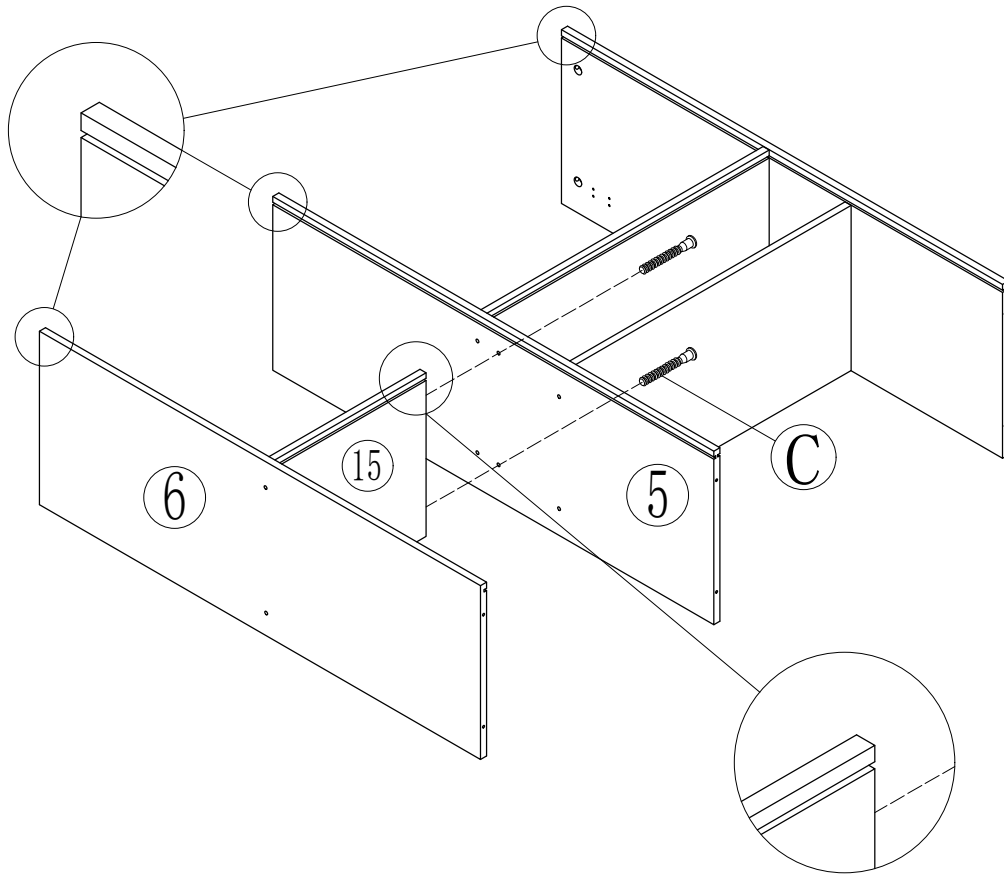
6		1PCS
15		1PCS
C		2PCS



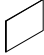
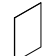
ASSEMBLY INSTRUCTION

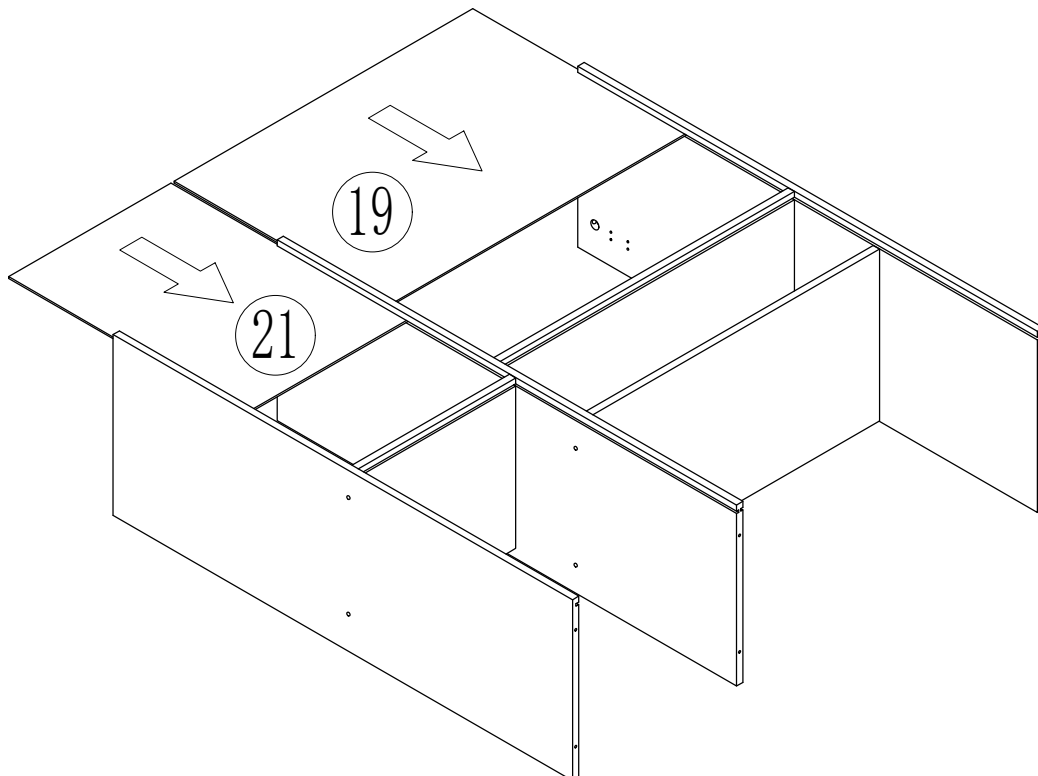
STEP 9

C  2PCS






STEP 10

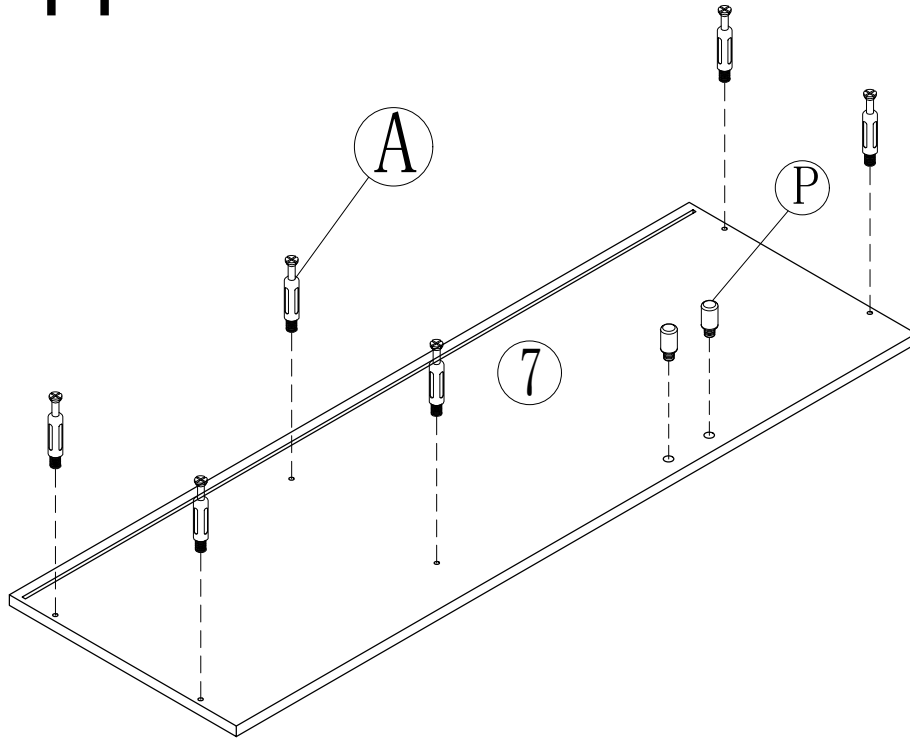
19  1PCS
21  2PCS



ASSEMBLY INSTRUCTION

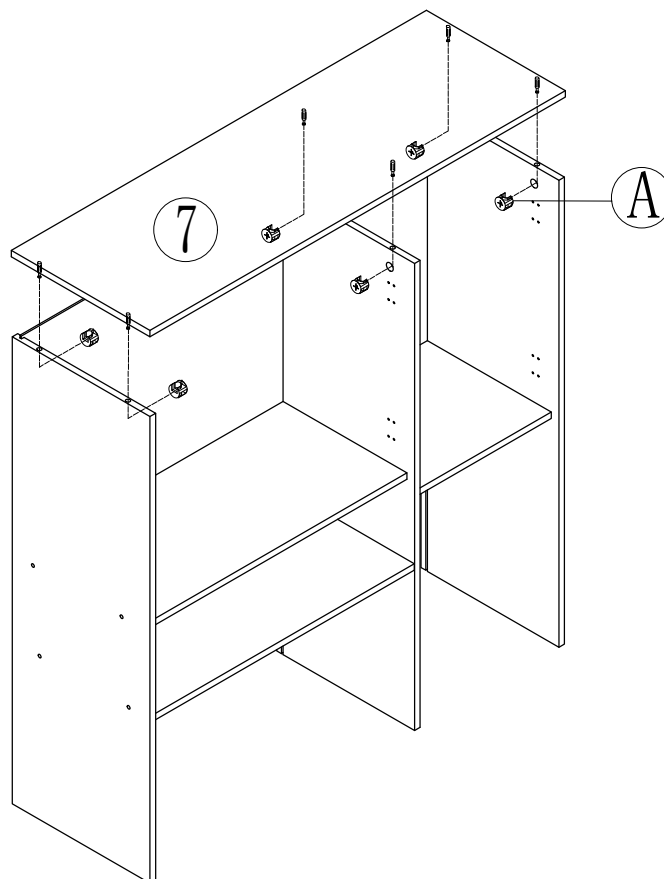
STEP 11

7		1PCS
A		6PCS
P		2PCS



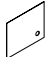
STEP 12

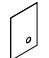
B		6PCS
---	---	------

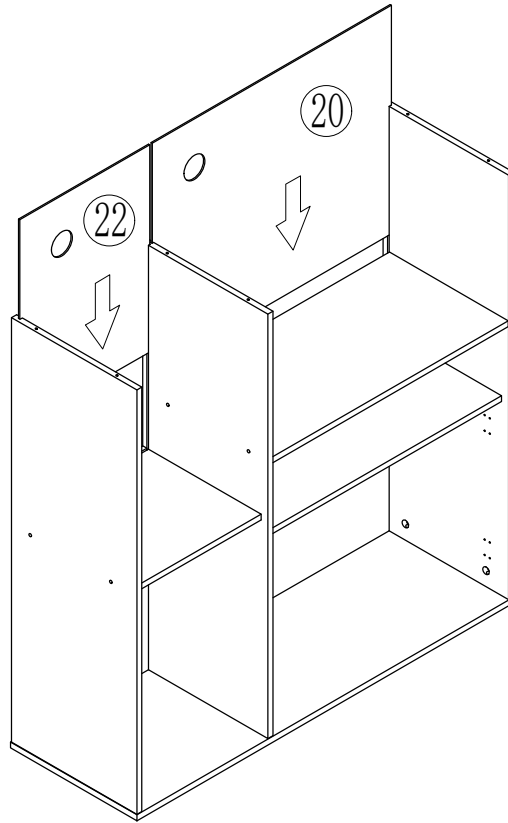


ASSEMBLY INSTRUCTION

STEP 13

20  1PCS

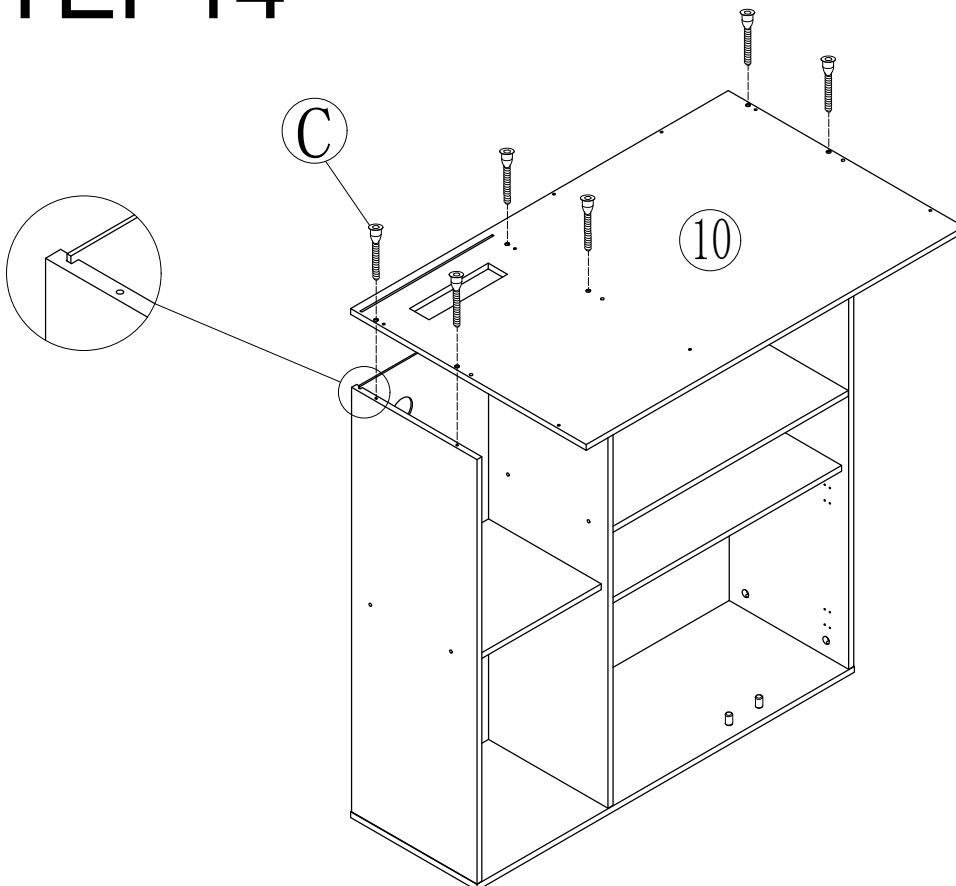
22  1PCS



STEP 14

10  1PCS

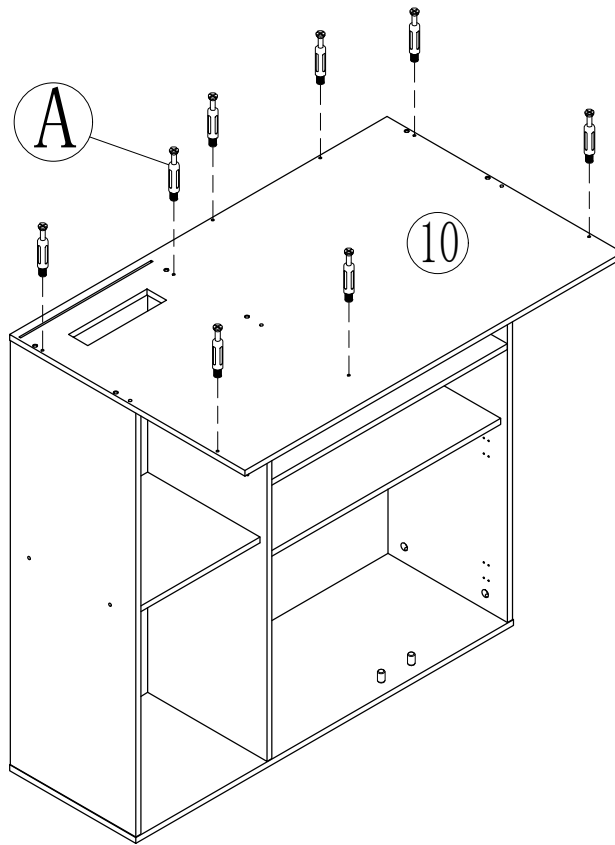
C  6PCS



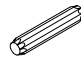
ASSEMBLY INSTRUCTION

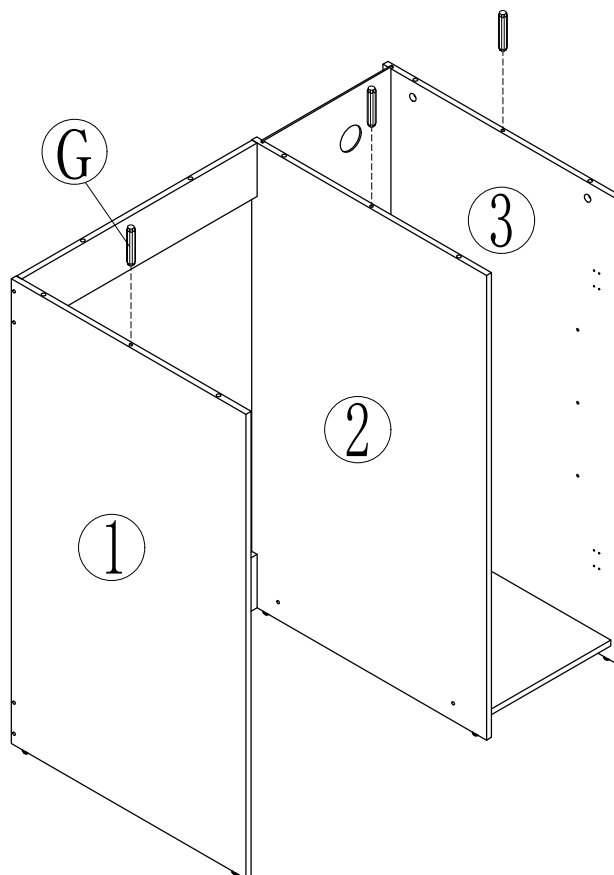
STEP 15

A  8PCS



STEP 16

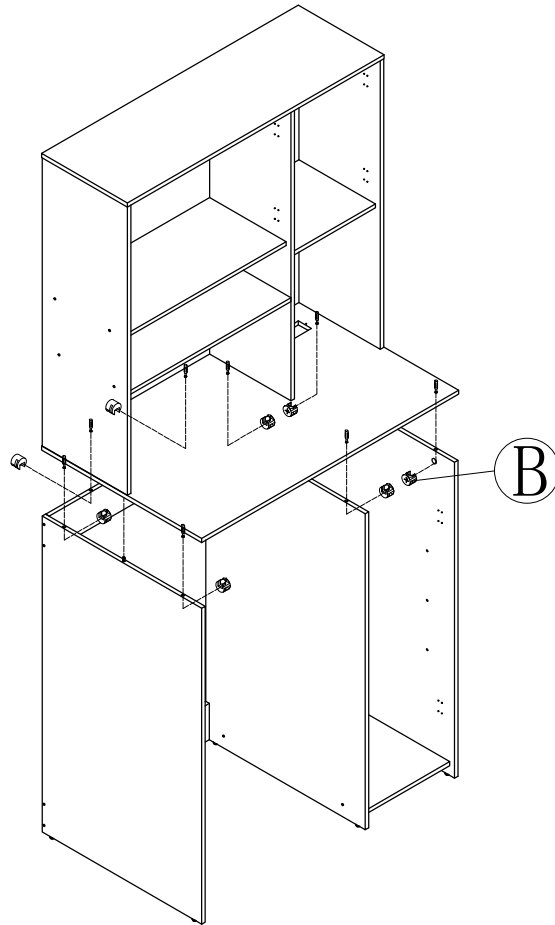
G  3PCS





ASSEMBLY INSTRUCTION

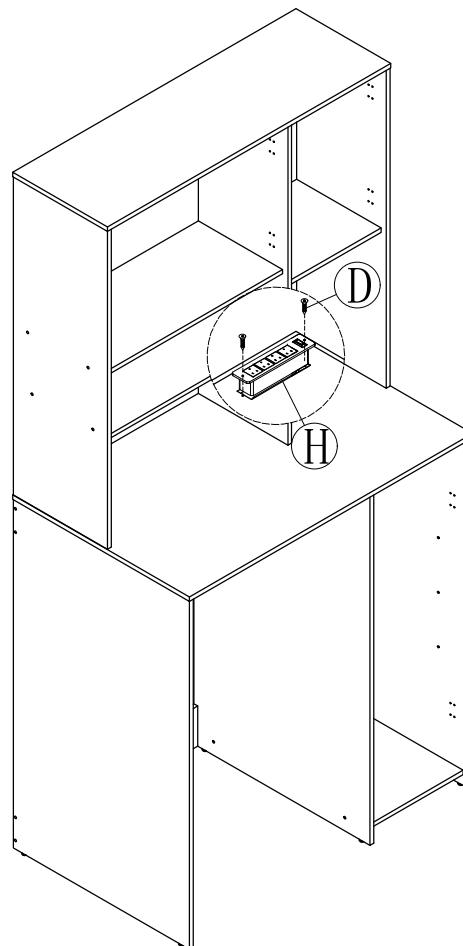
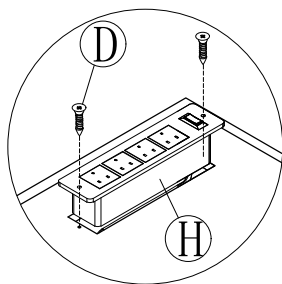
STEP 17

B  8PCS



STEP 18

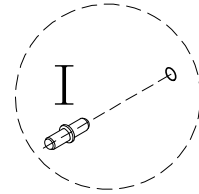
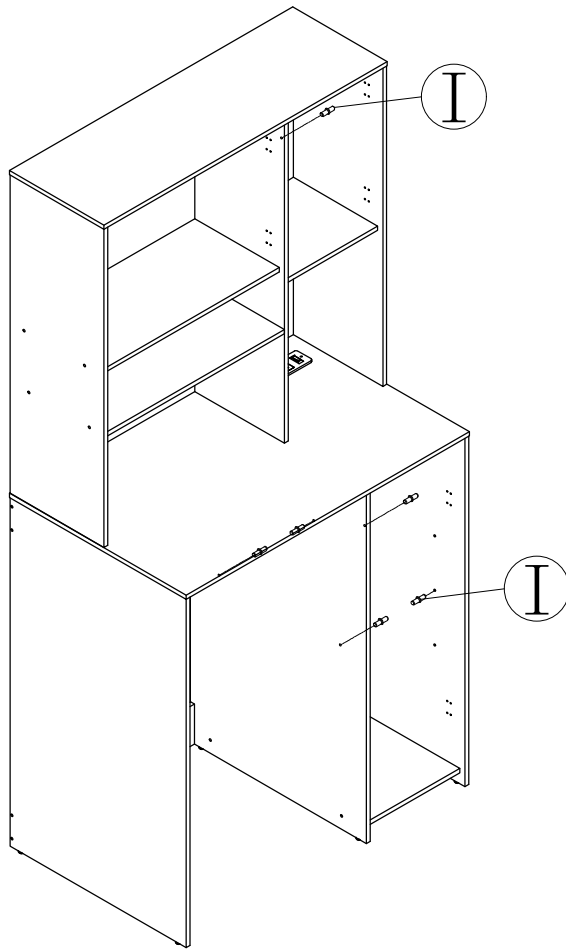
D  2PCS
H  1PCS




ASSEMBLY INSTRUCTION

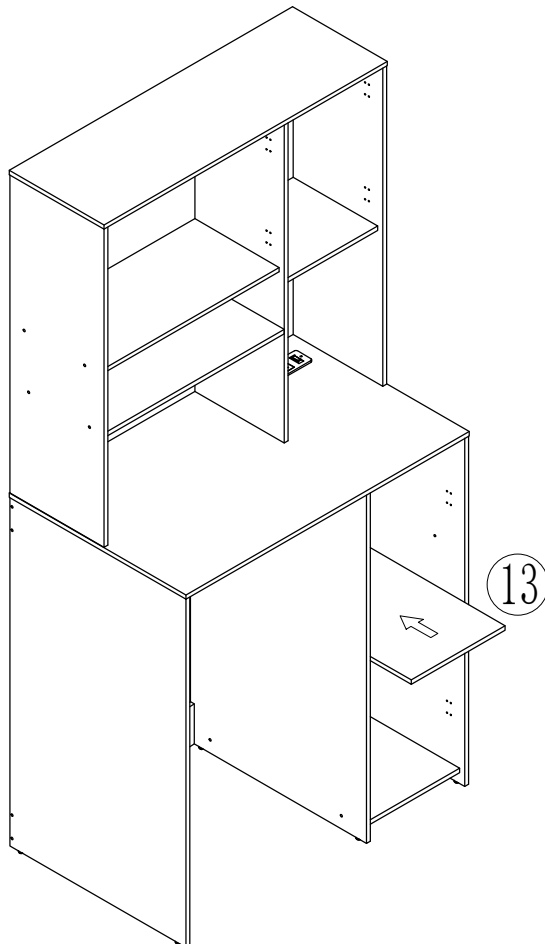
STEP19

I  6PCS






STEP20

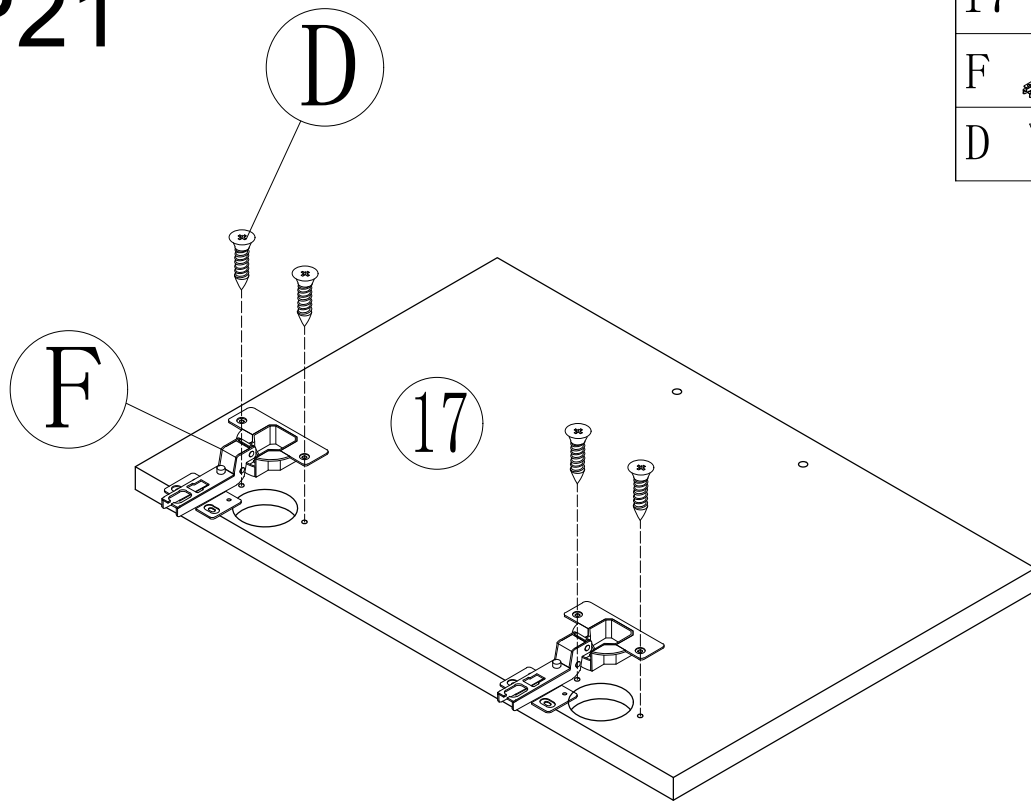
13  1PCS





ASSEMBLY INSTRUCTION

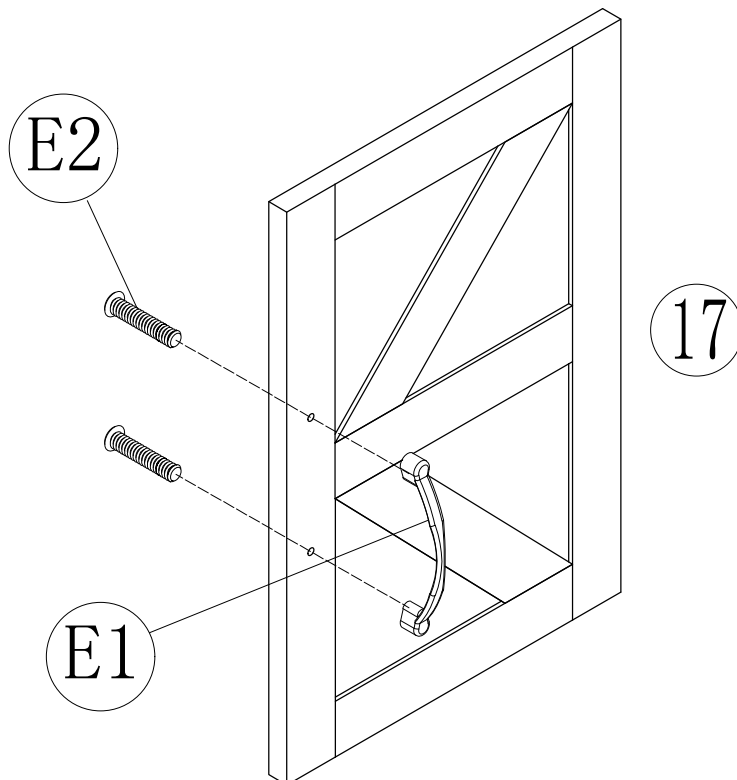
STEP21

17		1PCS
F		2PCS
D		4PCS



STEP22

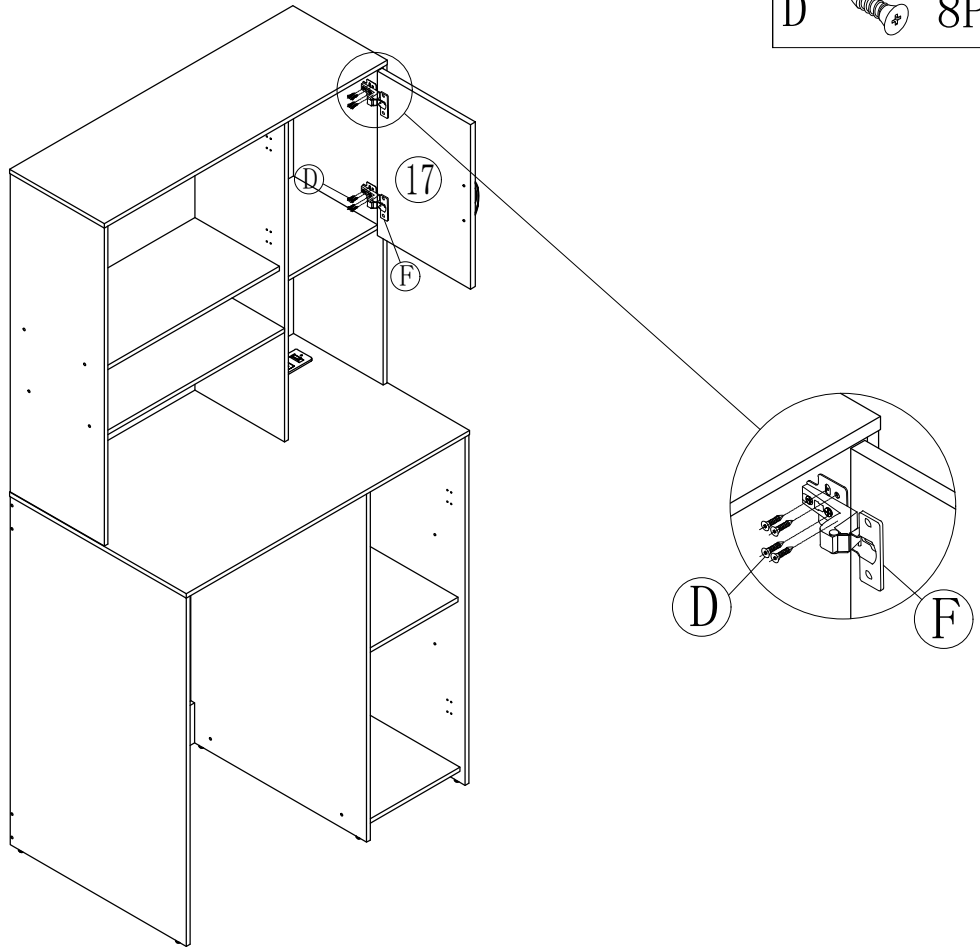
E1		1PCS
E2		2PCS



ASSEMBLY INSTRUCTION

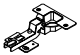
STEP 23

D  8PCS

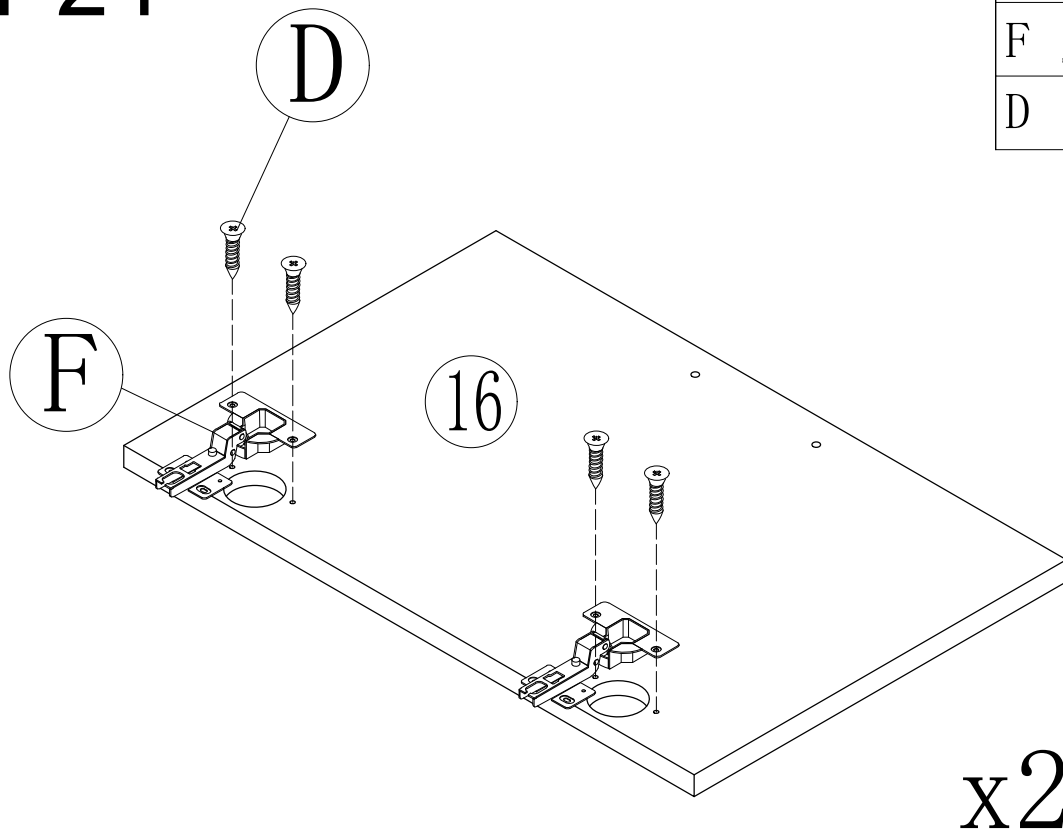


STEP 24

16  2PCS



F  4PCS

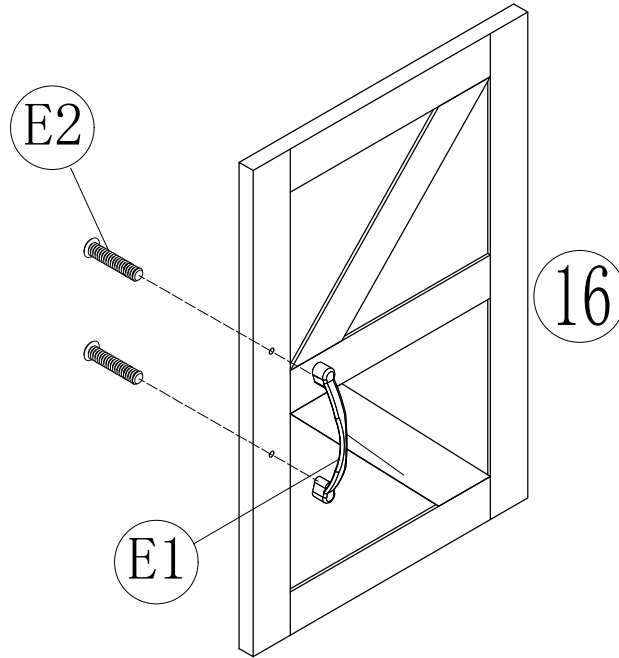
D  8PCS



ASSEMBLY INSTRUCTION

STEP25

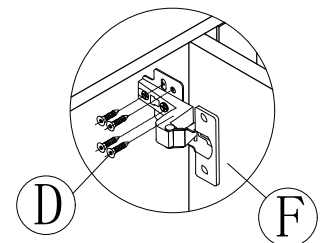
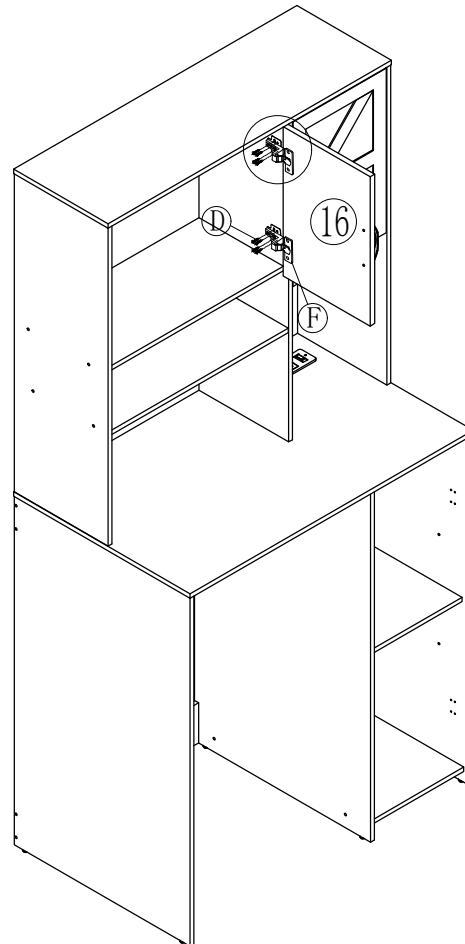
E1		2PCS
E2		4PCS



x2

STEP26

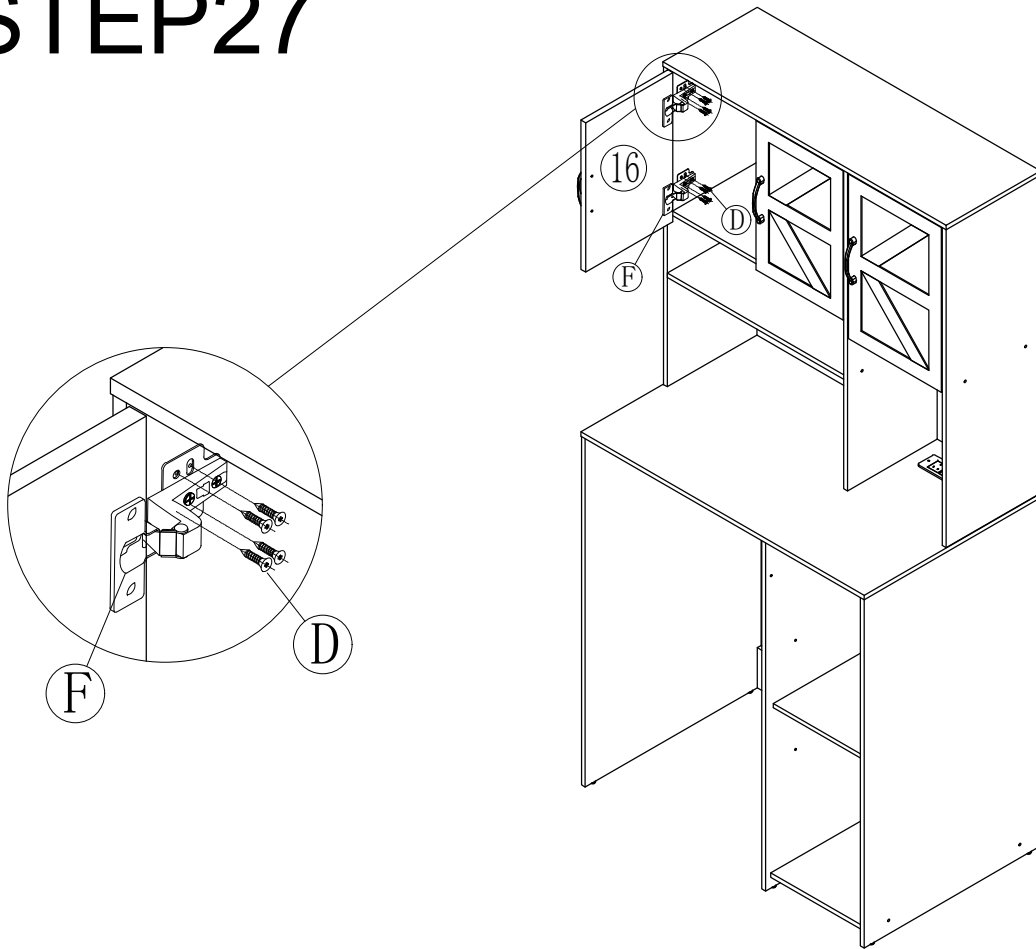
D		8PCS
---	---	------



ASSEMBLY INSTRUCTION

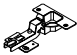
STEP27

D  8PCS

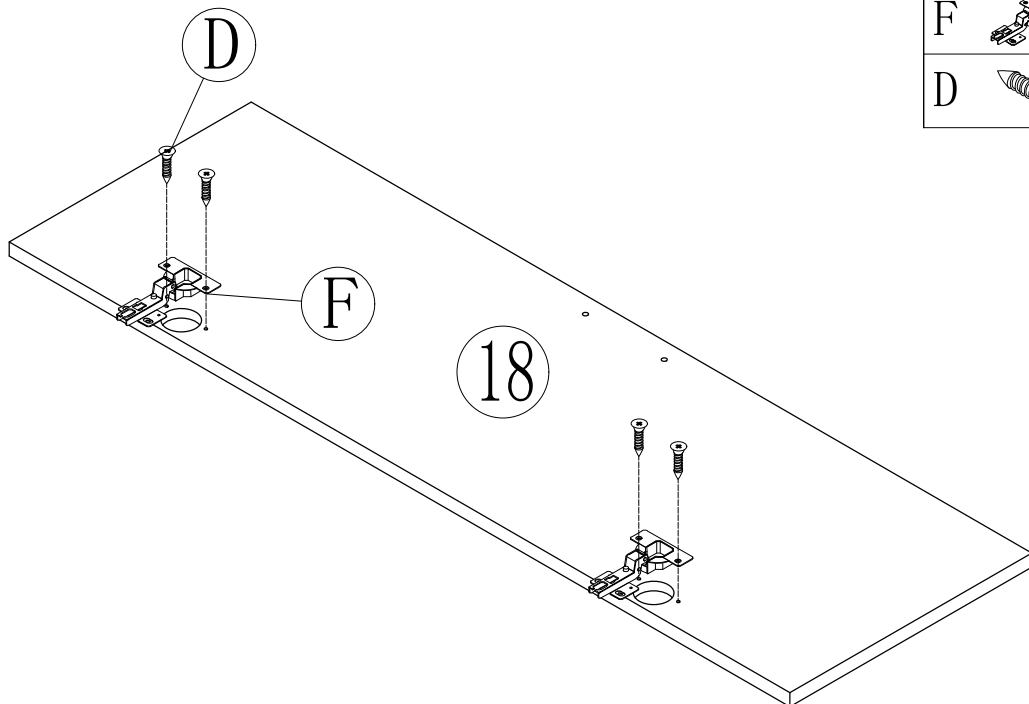


STEP28

18  1PCS

F  2PCS

D  4PCS

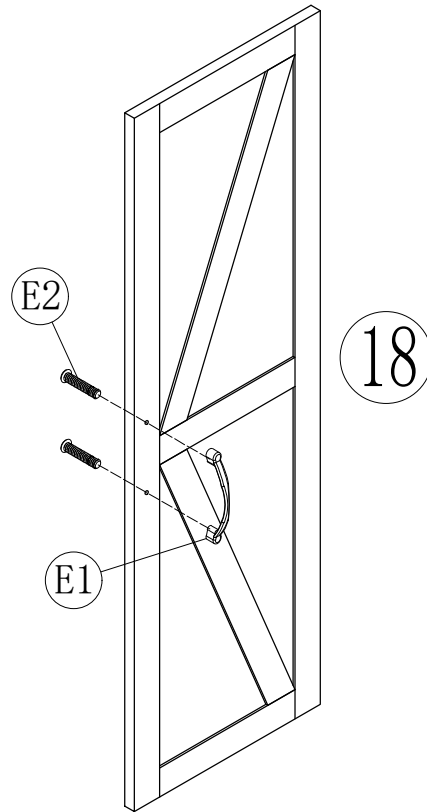


ASSEMBLY INSTRUCTION

STEP29

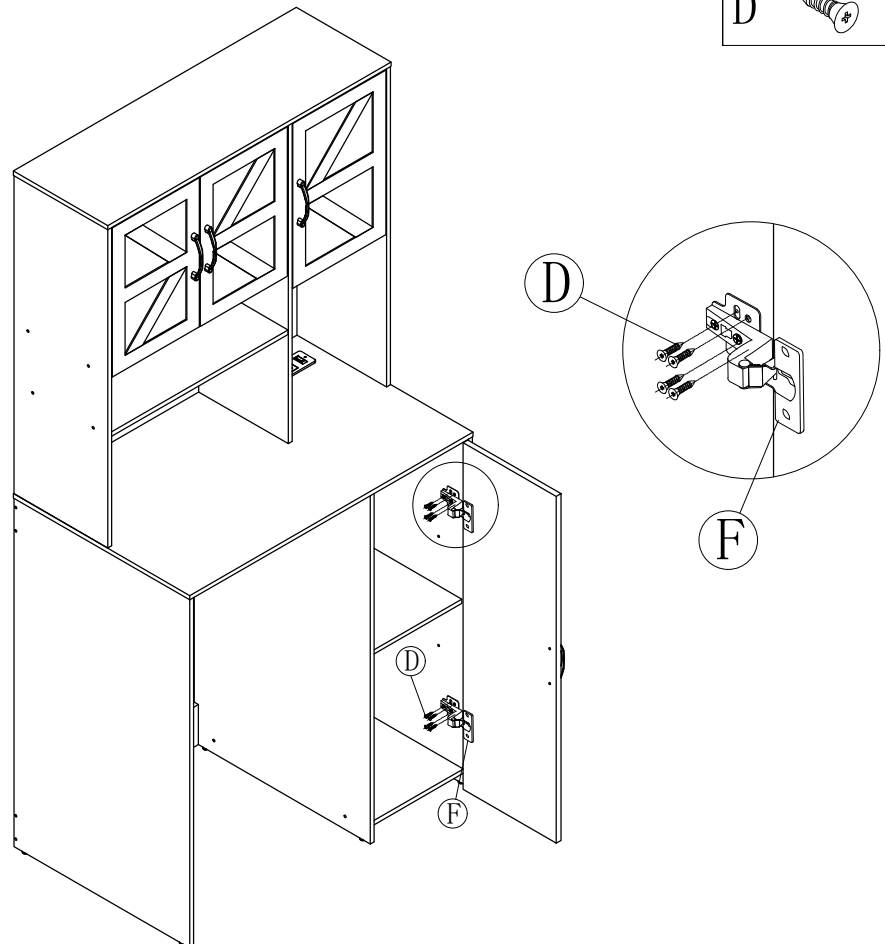
E1  1PCS

E2  2PCS



STEP30


D  8PCS

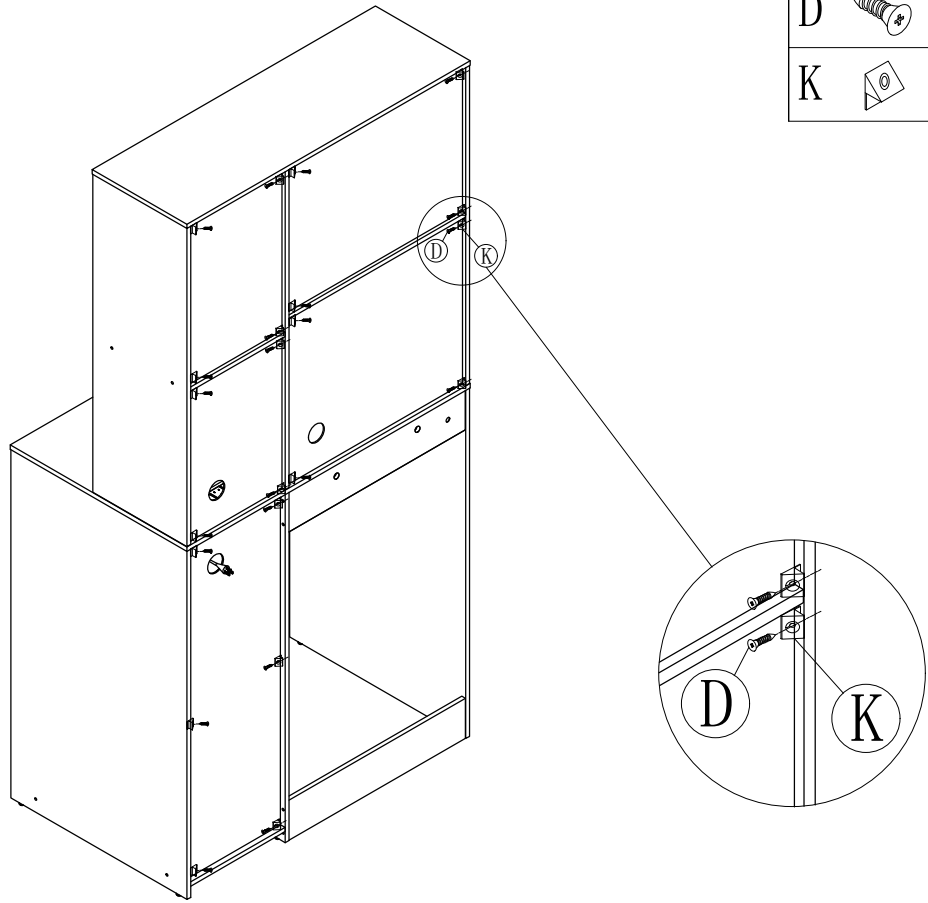


ASSEMBLY INSTRUCTION



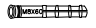
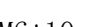
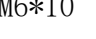

STEP31

D  22PCS

K  22PCS



STEP32

J  
  
 M6*10 1PCS

