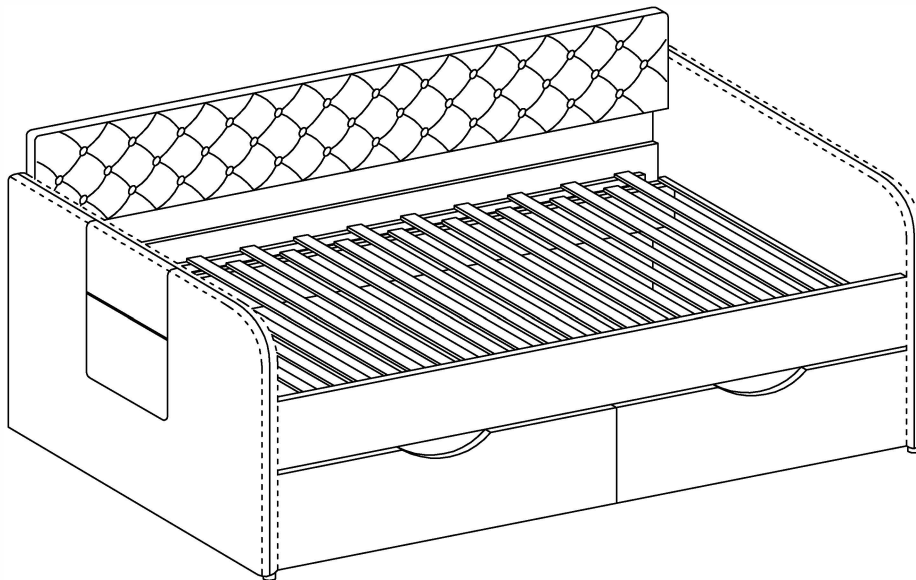
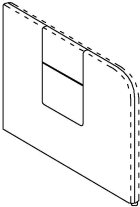
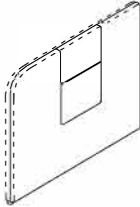
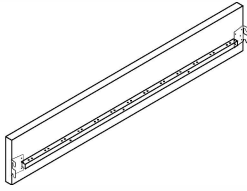

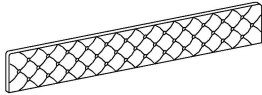


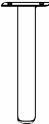





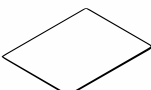
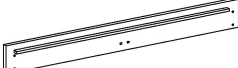



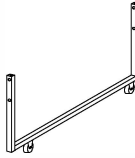
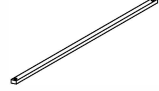

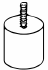


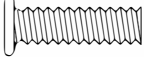



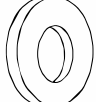
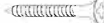





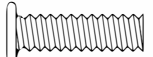


# ASSEMBLY INSTRUCTION



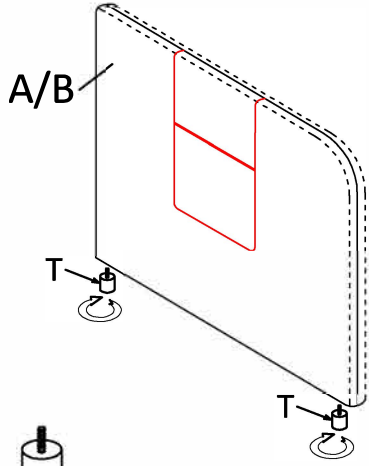
# ASSEMBLY INSTRUCTION

				
A: 1pc	B: 1pc	C: 1pc	D: 1pc	E: 1pc
				
F1: 3pcs	F2: 8pcs	G: 1pc	H: 2pcs	I: 2pcs
				
J: 2pcs	K: 2pcs	L: 2pcs	M: 2pcs	N: 1pc
				
O: 1pc	P1: 2pcs	P2: 8pcs	Q: 2pcs	R: 2pcs
				
S: 1pc	T: 4pcs	U: 8pcs	V: 32pcs	

			
M8*30mm 1: 14pcs	M8*50mm 2: 4pcs	M8*40mm 3: 8pcs	M8 4: 28pcs
			
M8*19mm 5: 28pcs	8*32mm 6: 22pcs	8*20mm 7: 32pcs	M8 8: 1pc
			
M8 9: 1pc	10: 12pcs	11: 12pcs	M8*20mm 12: 2pcs

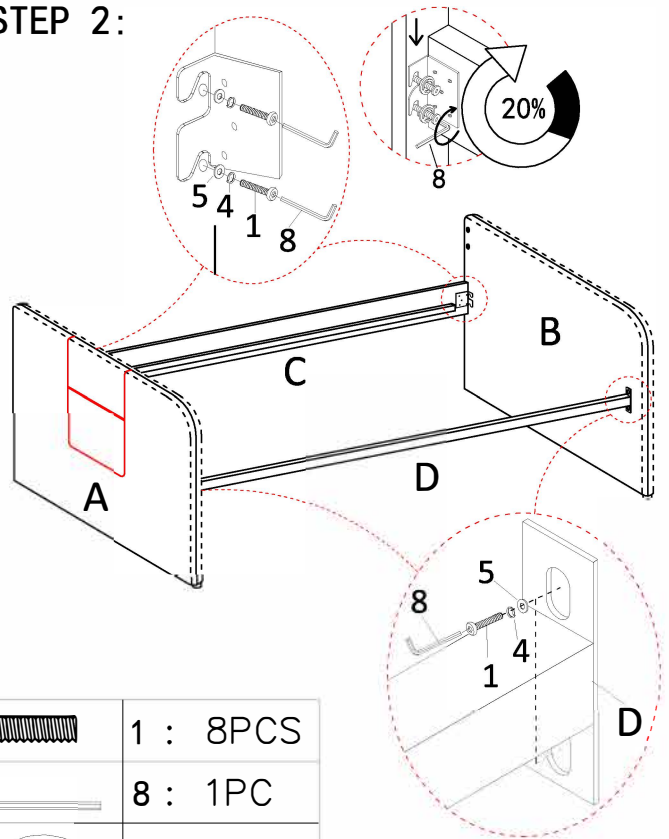
# Assembly Steps

## STEP 1:



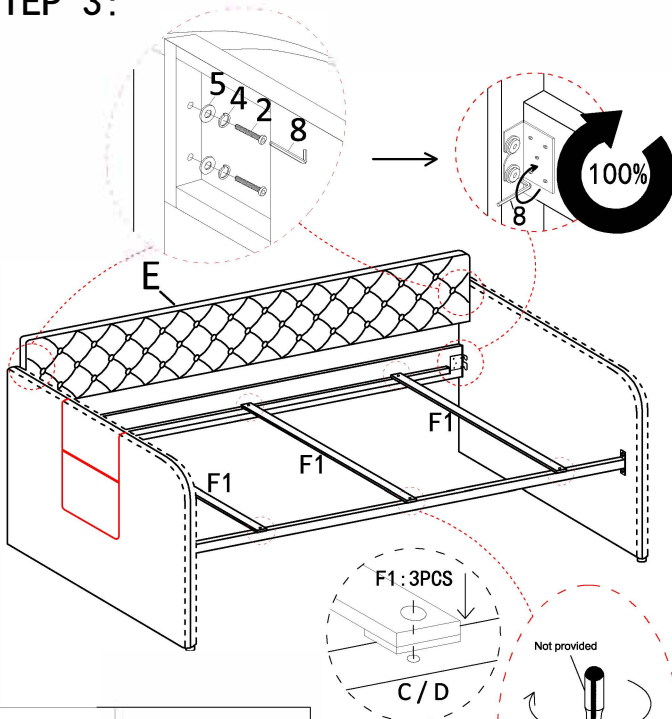
T: 4pcs

## STEP 2:



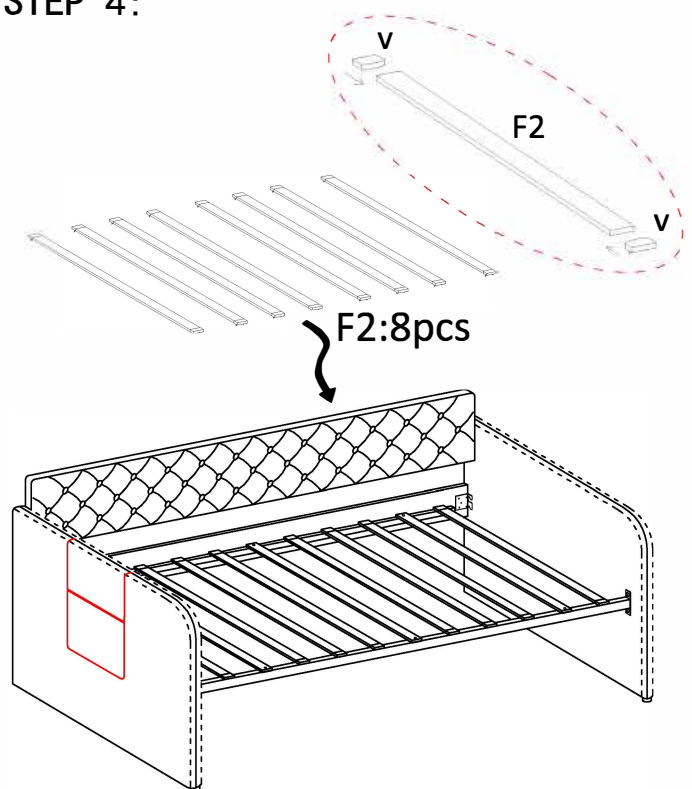
	1 : 8PCS
	8 : 1PC
	5 : 8PCS
	4 : 8PCS

## STEP 3:



	2 : 4PCS
	8 : 1PC
	5 : 4PCS
	4 : 4PCS
	6 : 6PCS

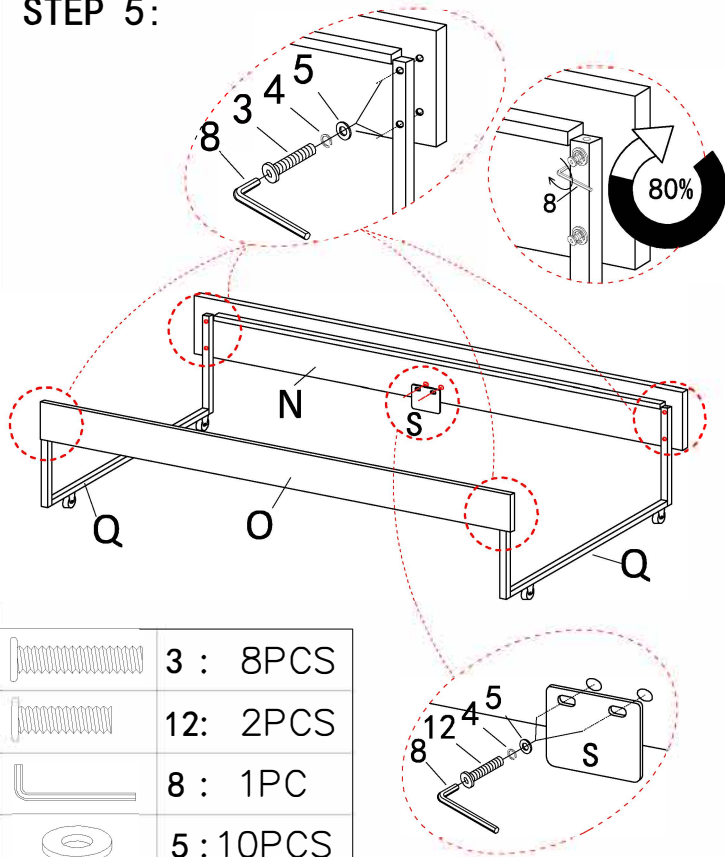
## STEP 4:



	V : 16PCS
--	-----------

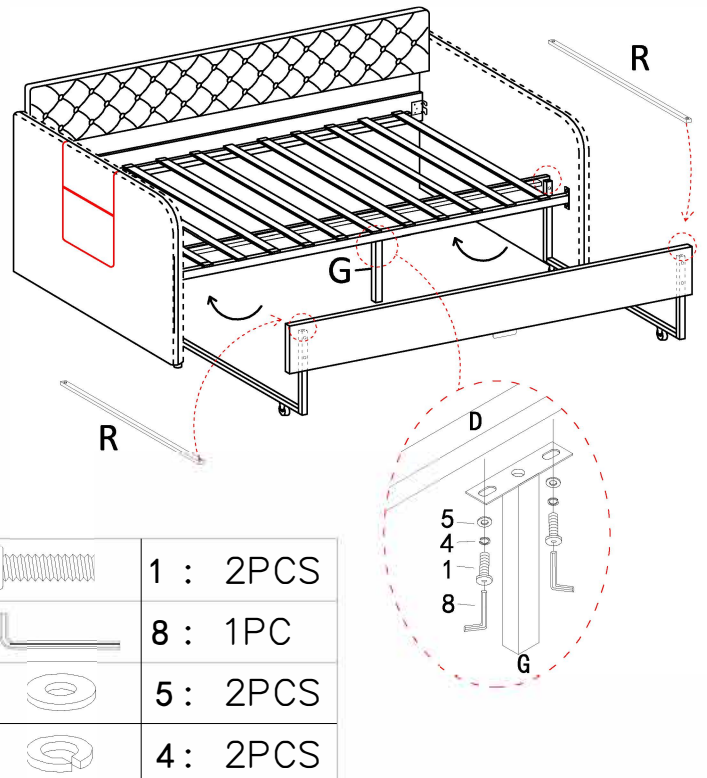
# Assembly Steps

## STEP 5:



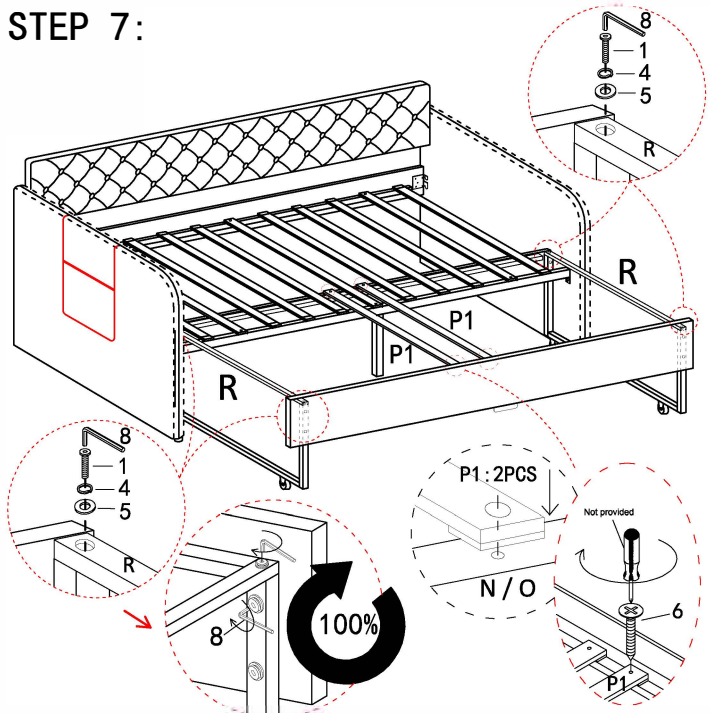
	3 : 8PCS
	12: 2PCS
	8 : 1PC
	5 : 10PCS
	4 : 10PCS

## STEP 6:



	1 : 2PCS
	8 : 1PC
	5 : 2PCS
	4 : 2PCS

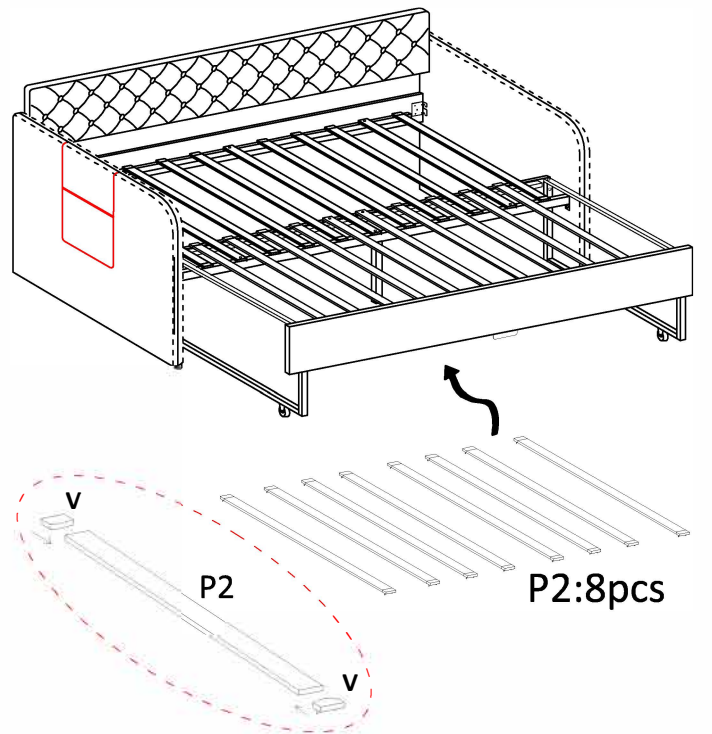
## STEP 7:



	1 : 4PCS
	8 : 1PC
	5 : 4PCS
	4 : 4PCS
	6 : 4PCS

When you assemble this bed, step 7 please make sure all screws are fastened tightly.

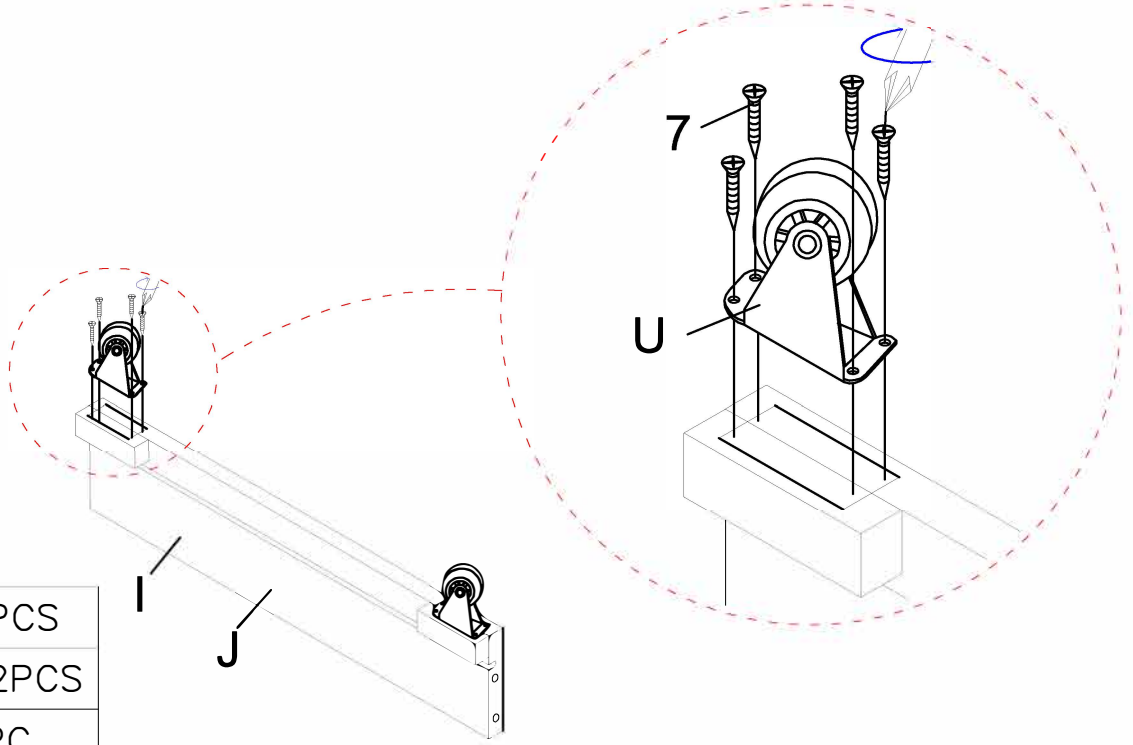
## STEP 8:






	V : 16PCS
--	-----------

# Assembly Steps

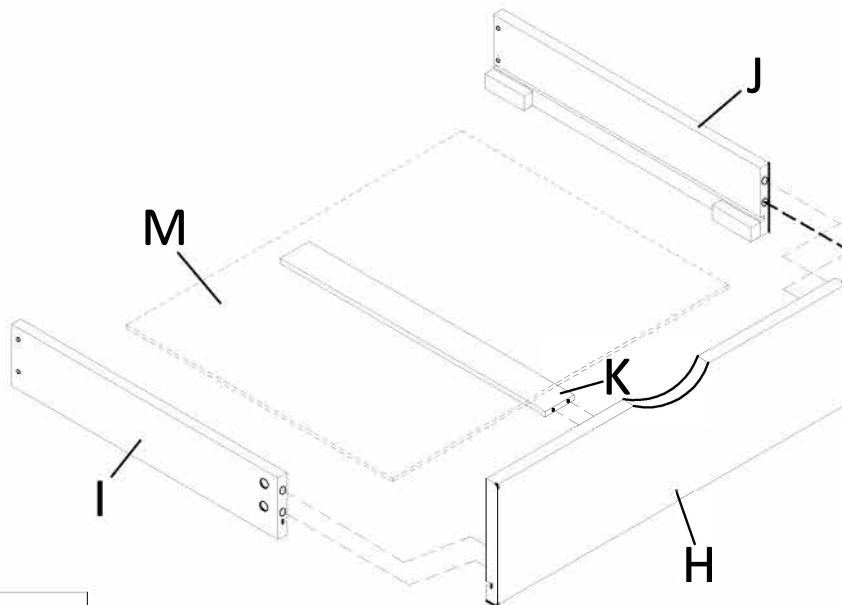
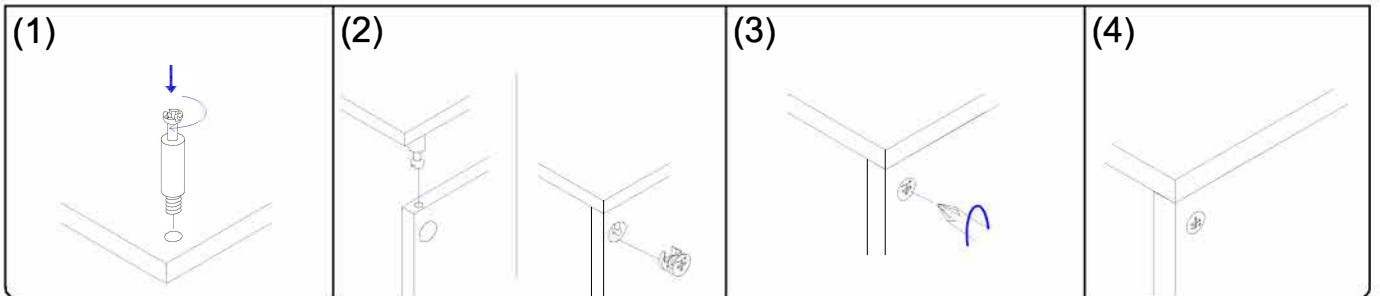
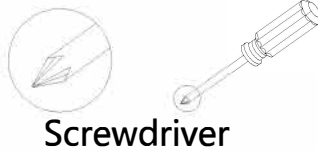
STEP 9:



	U: 8PCS
	7: 32PCS
	9: 1PC

STEP 10:

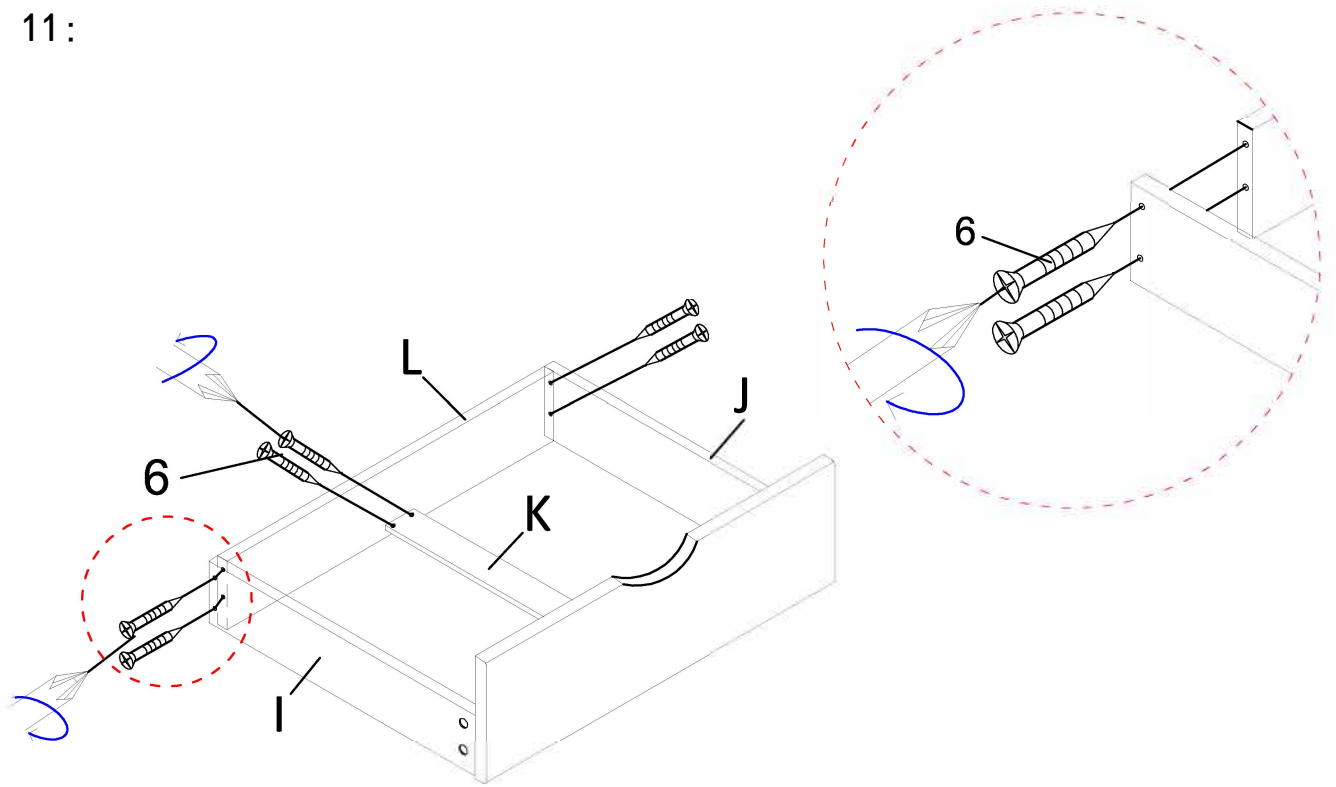
ASSEMBLY TOOLS REQUIRED (NOT INCLUDED)





	10: 12PCS
	11: 12PCS

# Assembly Steps

## STEP 11:



	6 : 12PCS
	9 : 1PC

## STEP 12:

