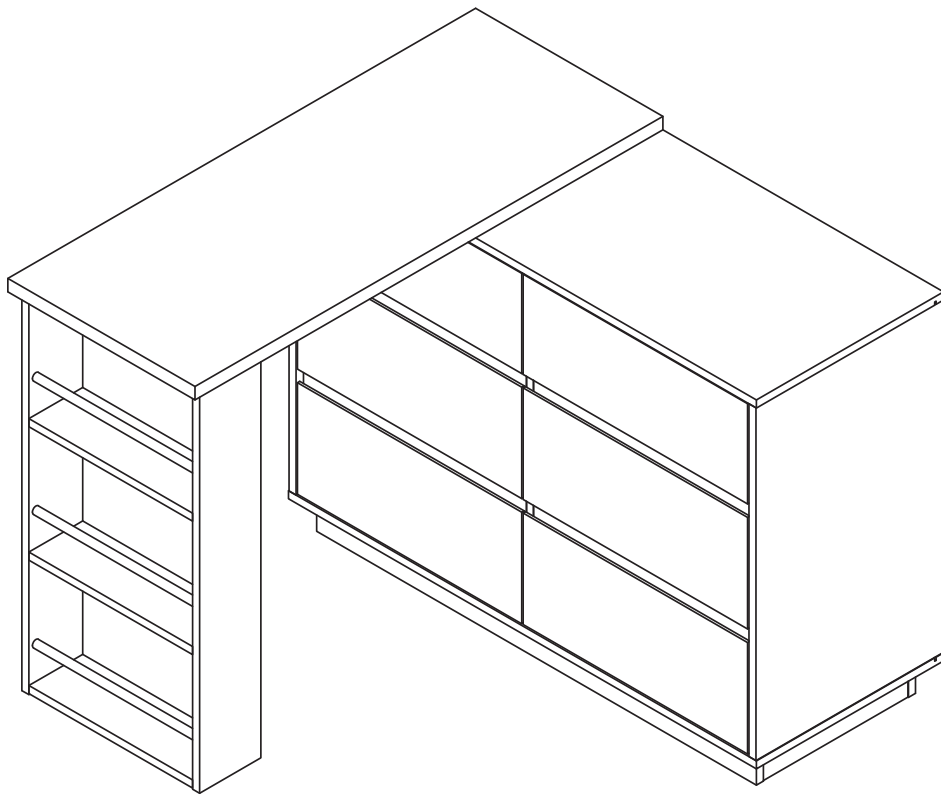
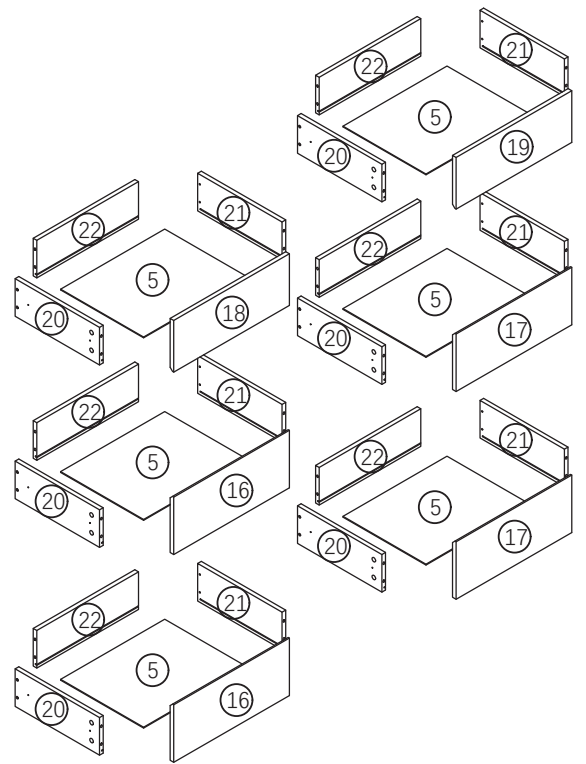
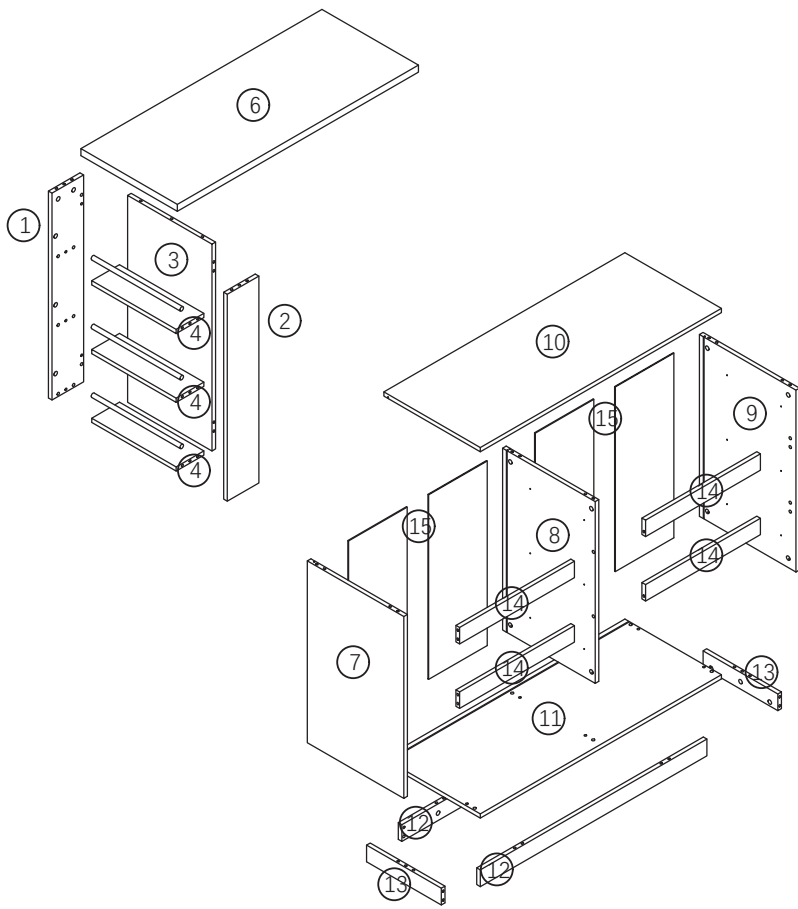





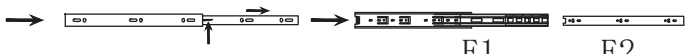
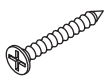

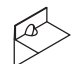

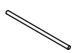

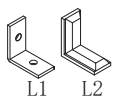


# Installation & Assembly





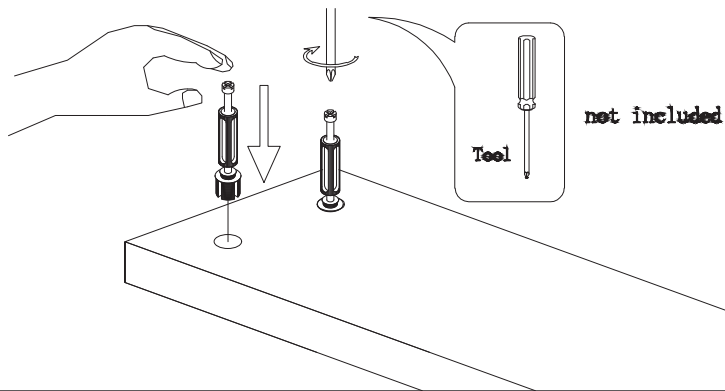
<p>A</p>  <p>80PCS</p>	<p>B</p>  <p>80PCS</p>	<p>C</p> <p>8*40</p>  <p>37PCS</p>	<p>D</p> <p>3.5*14</p>  <p>50PCS</p>	<p>E</p>  <p>→</p>  <p>E1      E2</p> <p>12PCS</p>		
<p>F</p> <p>3.5*35</p>  <p>26PCS</p>	<p>G</p>  <p>22PCS</p>	<p>H</p>  <p>10PCS</p>	<p>I</p> <p>3*12</p>  <p>10PCS</p>	<p>J</p> <p>15*368</p>  <p>3PCS</p>	<p>K</p>  <p>2PCS</p>	<p>L</p>  <p>L1    L2</p> <p>2PCS</p>



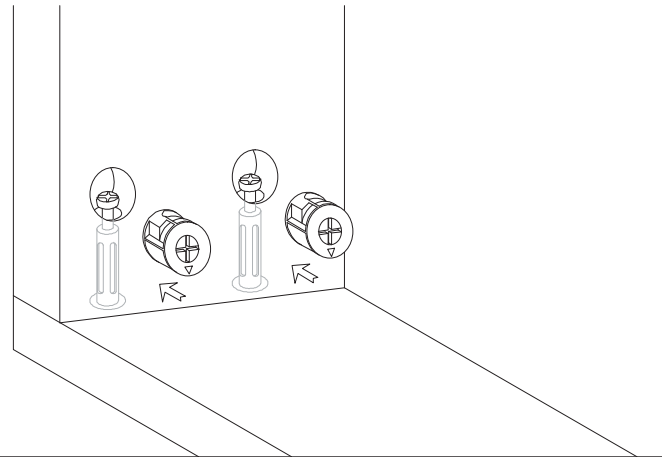
### Hardware installation demonstration

NOTE: Please make sure "A" hardware tightened and can't be pulled out!

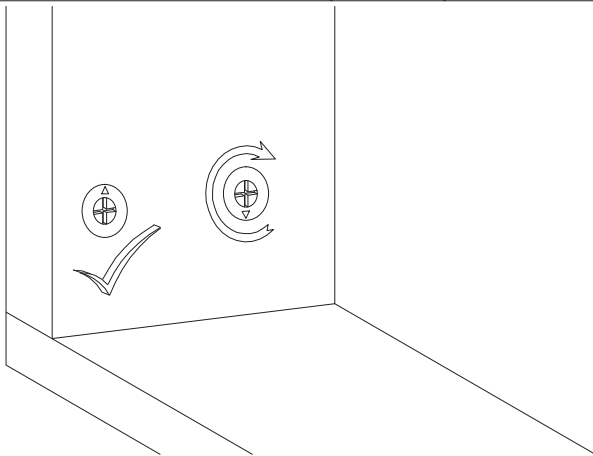
I




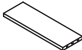
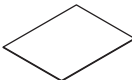
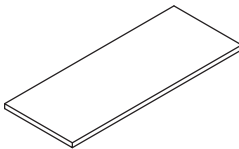


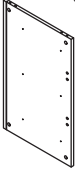
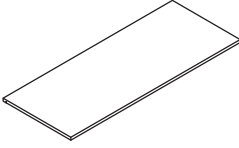
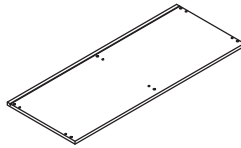

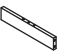

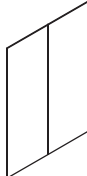
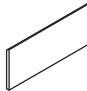


II



III



1	743*131mm  29.3*5.2" 1pc	2	743*131mm  29.3*5.2" 1pc	3	743*350mm  29.3*13.8" 1pc	4	350*115mm  13.8*4.5" 3pcs
5	431.5*344mm  17*13.5" 6pcs	6	1000*400mm  39.4*15.7" 1pc	7	653*400mm  25.7*15.7" 1pc	8	653*384mm  25.7*15.1" 1pc
9	653*400mm  25.7*15.7" 1pc	10	1000*400mm  39.4*15.7" 1pc	11	1000*400mm  39.4*15.7" 1pc	12	940*60mm  37*2.4" 2pcs
13	310*60mm  12.2*2.4" 2pcs	14	476.5*59mm  18.8*2.3" 4pcs	15	663*485.5mm  26.1*19.1" 2pcs	16	479.5*206.5mm  18.9*8.1" 2pcs

17

479.5\*206.5mm



18.9\*8.1"

2pcs

18

479.5\*185.5mm



18.9\*7.3"

1pc

19

479.5\*185.5mm



18.9\*7.3"

1pc

20

350\*135mm



13.8\*5.3"

6pcs

21

350\*135mm



13.8\*5.3"

6pcs

22

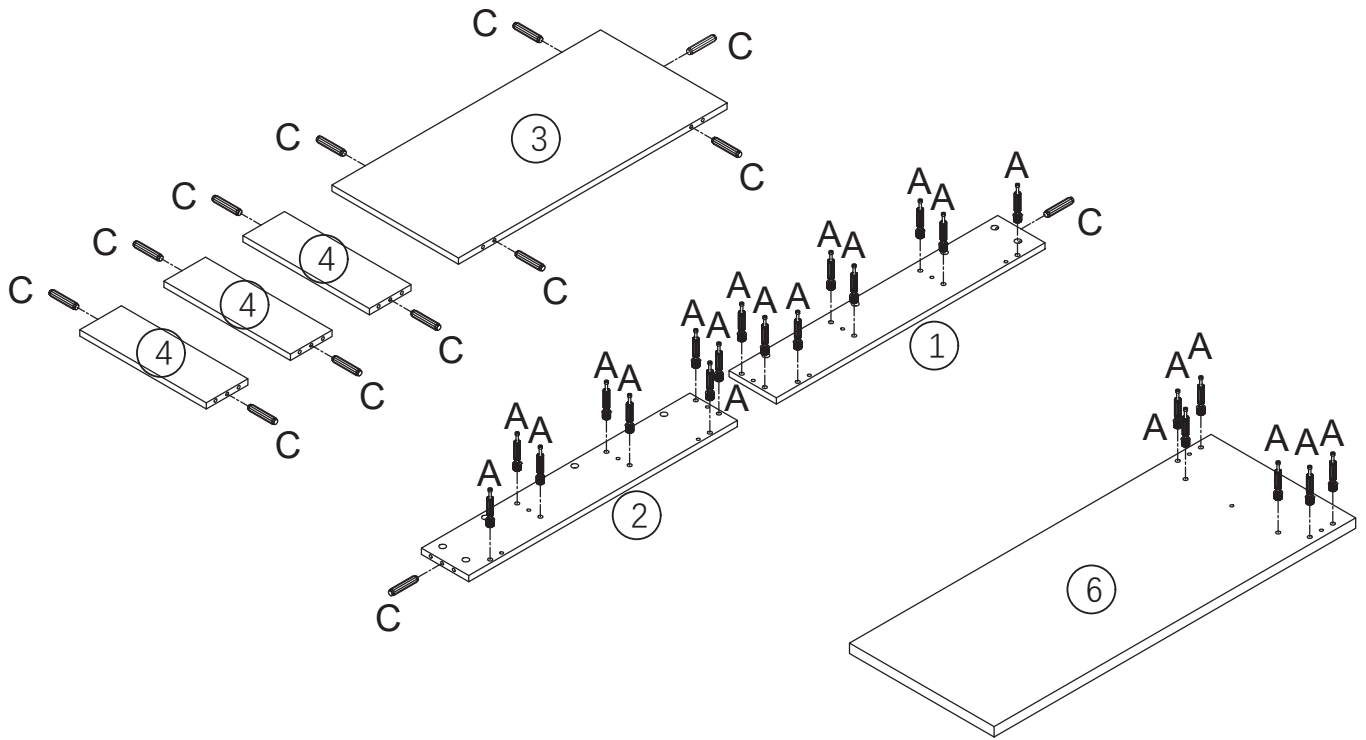
421.5\*135mm



16.6\*5.3"

6pcs

1

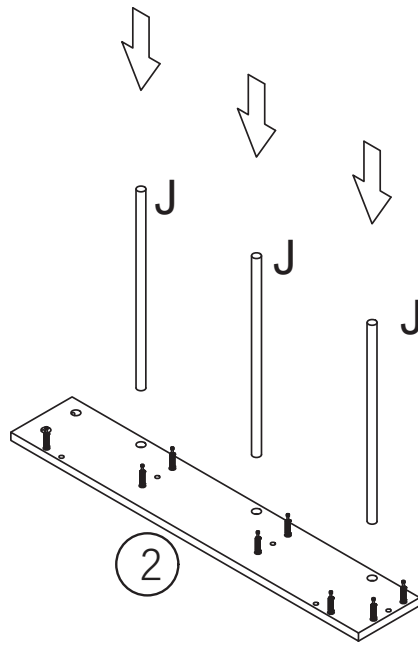


Put A on (1) (2) (6)

Put C on (1) (2) (3) (4)

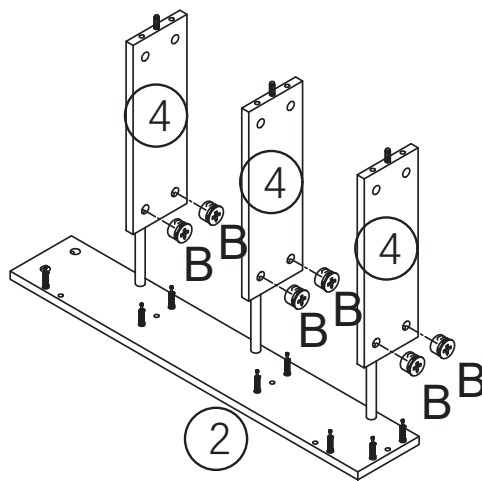
A\*22 C\*13

2



J\*3

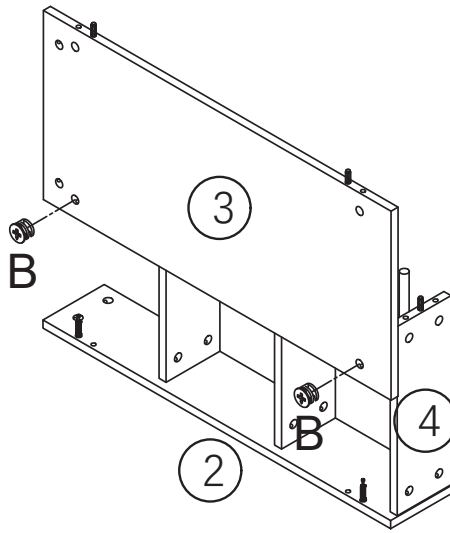
3



Put B on 4

B\*6

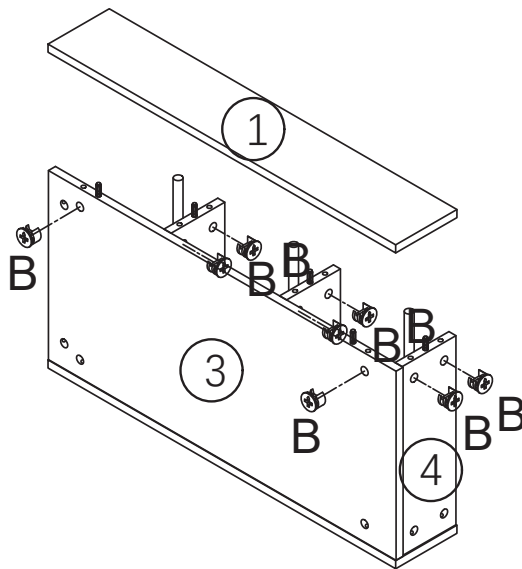
4



Put B on (3)

B\*2

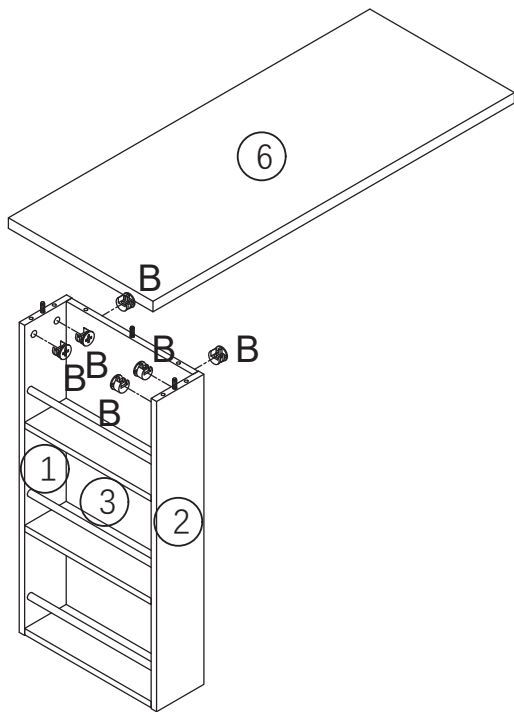
5



Put B on (3) (4)

B\*8

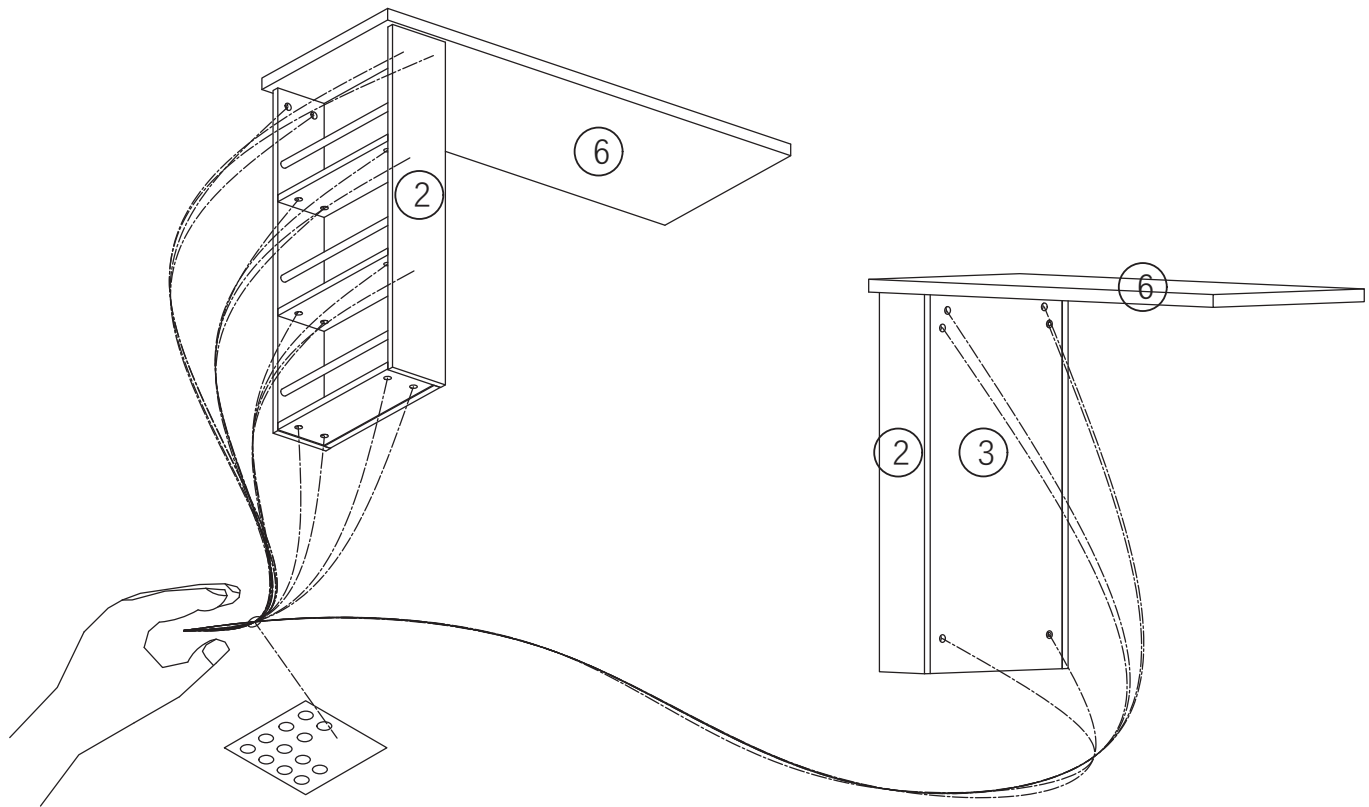
6



Put B on ① ② ③

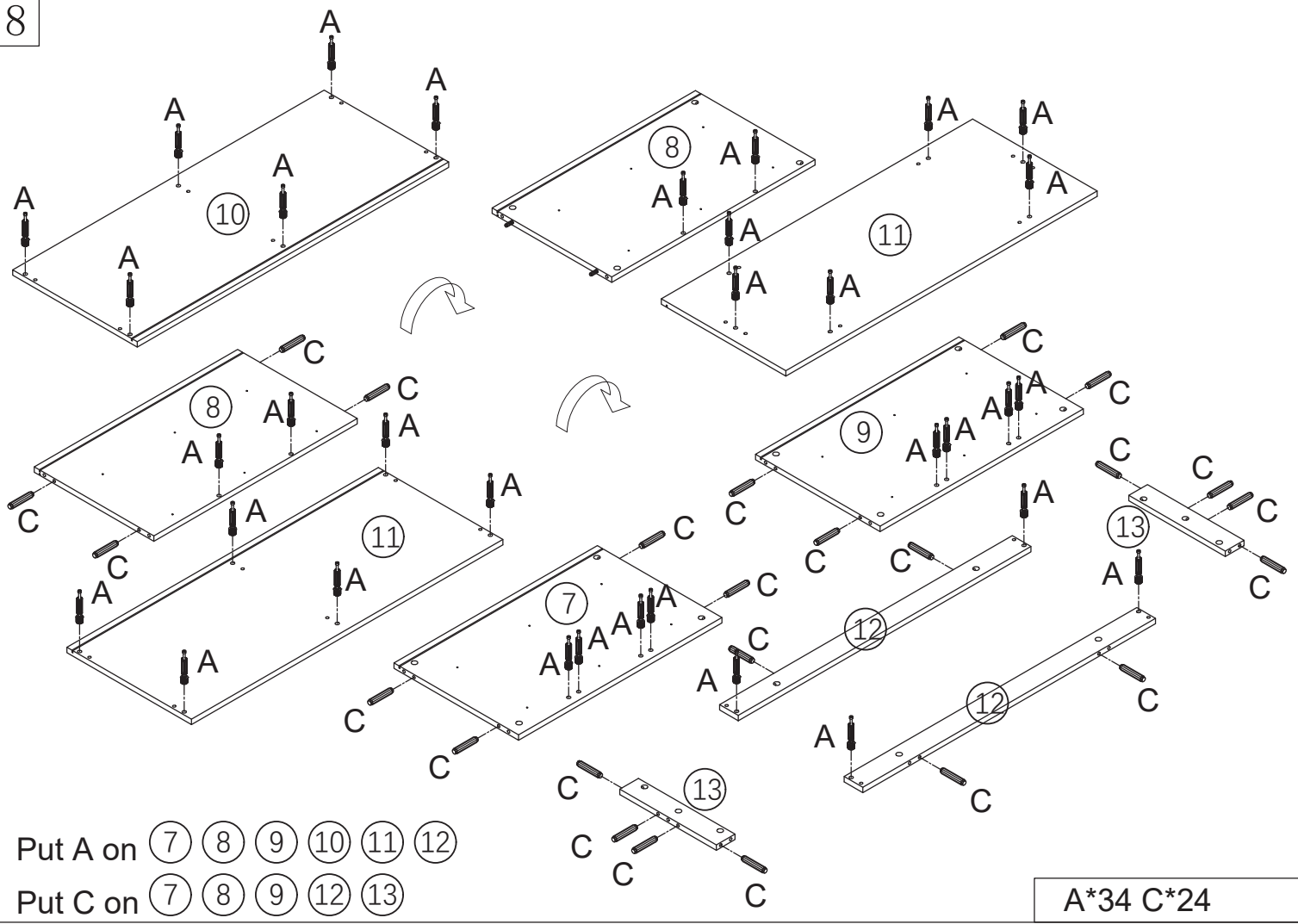
B\*6

7



G\*22

8

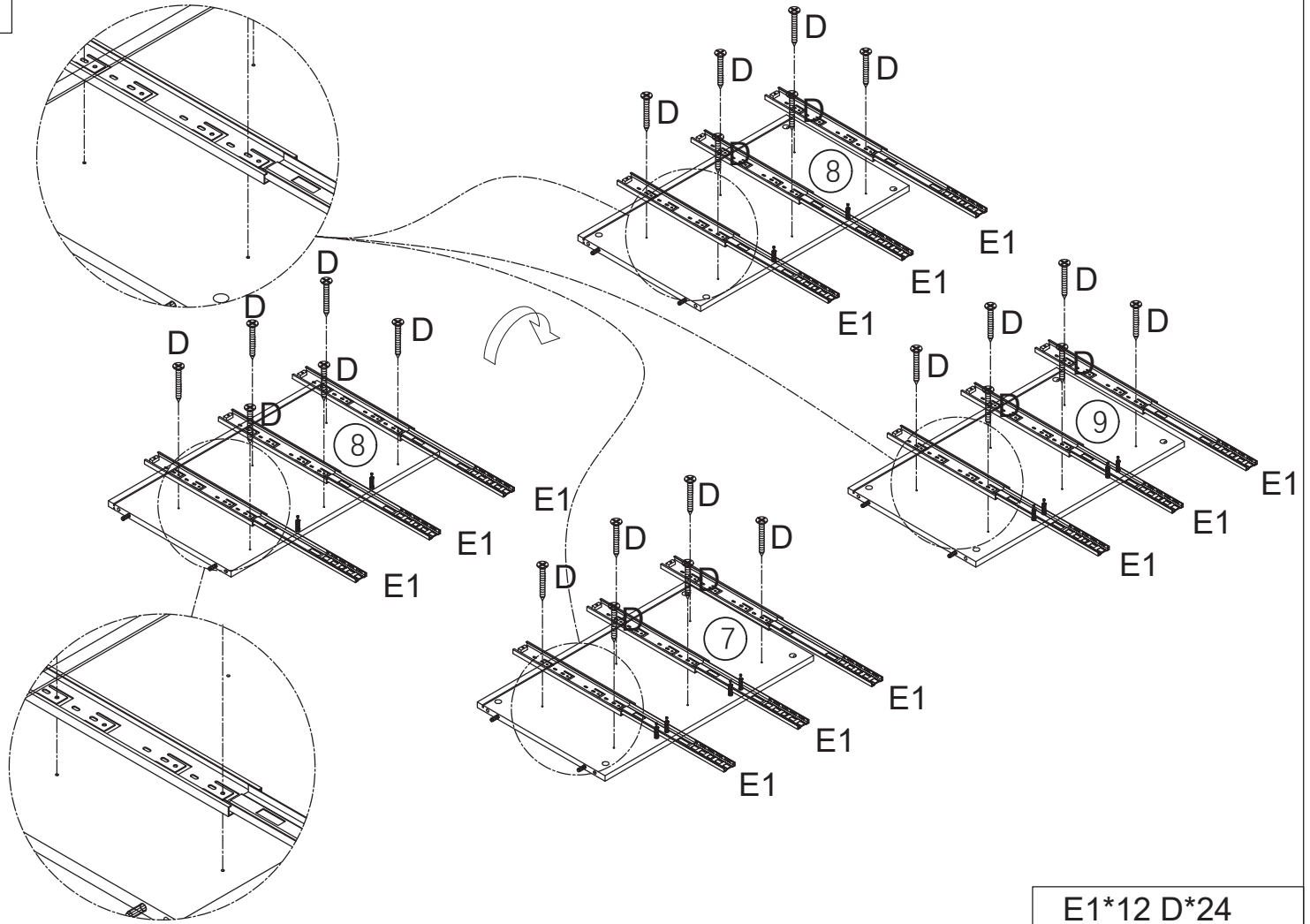


Put A on (7) (8) (9) (10) (11) (12)

Put C on (7) (8) (9) (12) (13)

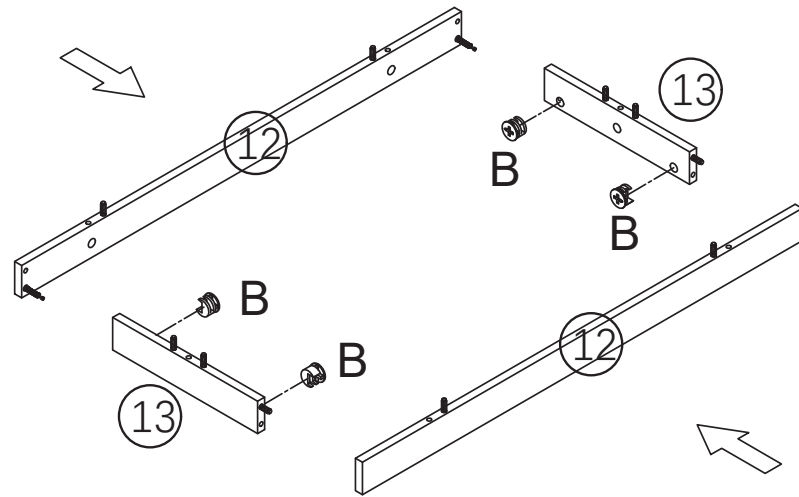
A\*34 C\*24

9



E1\*12 D\*24

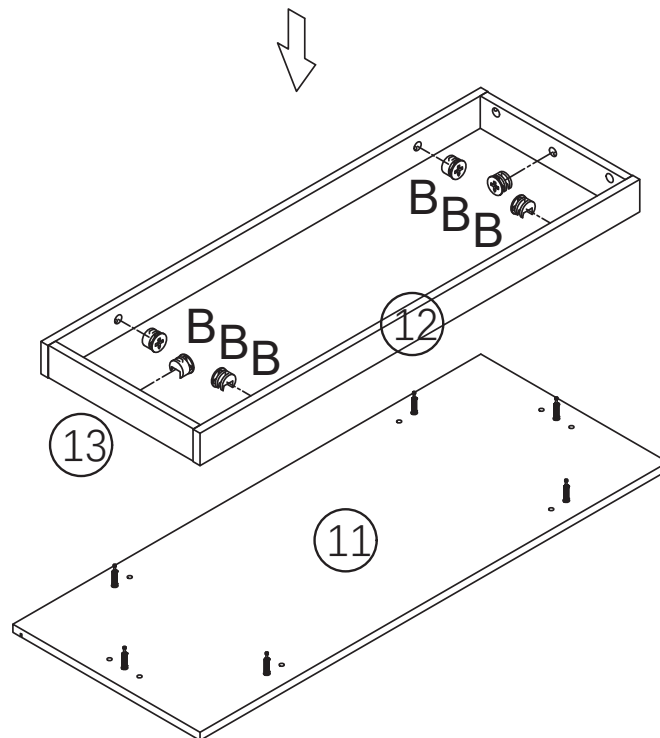
10



Put B on 13

B\*4

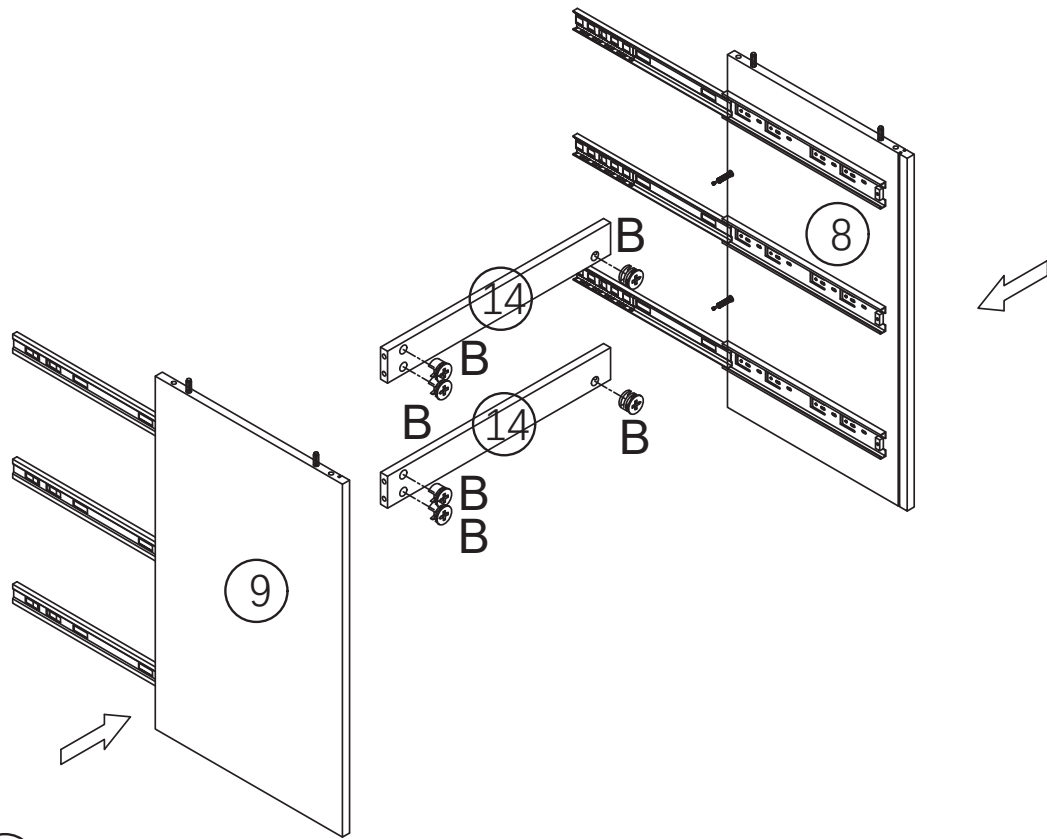
11



Put B on 12 13

B\*6

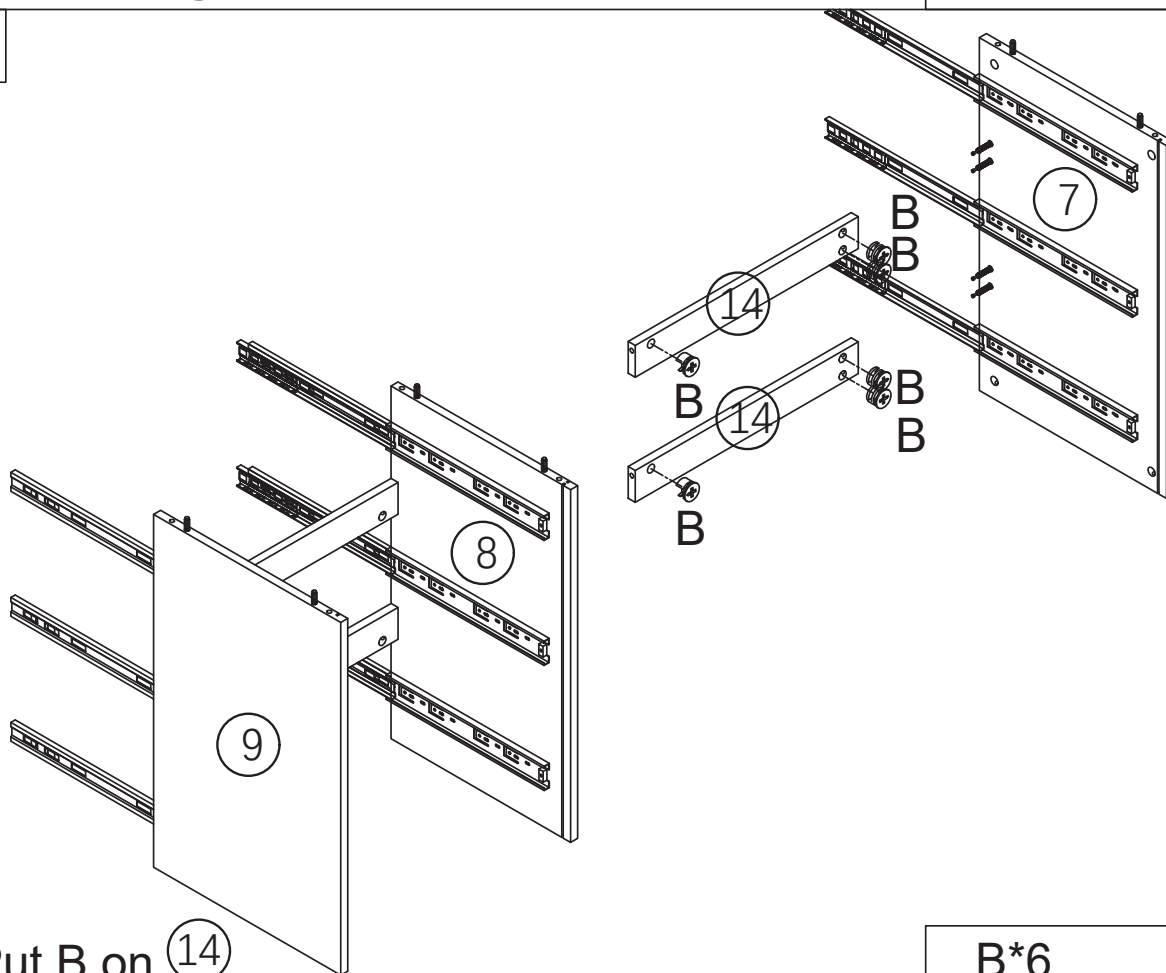
12



Put B on (14)

B\*6

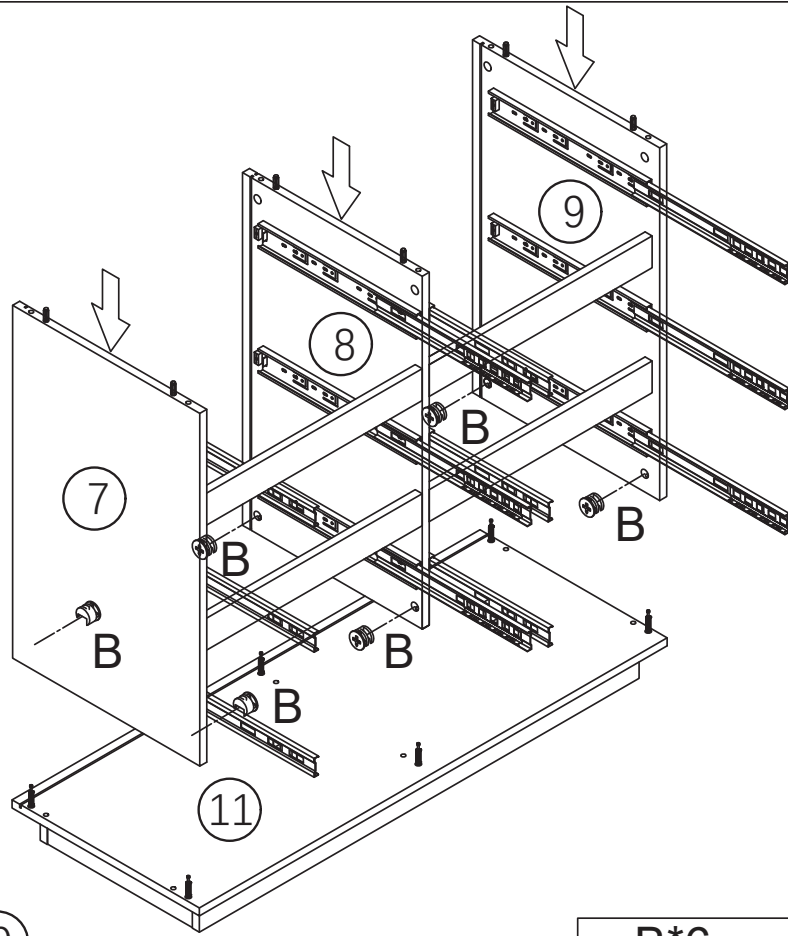
13



Put B on (14)

B\*6

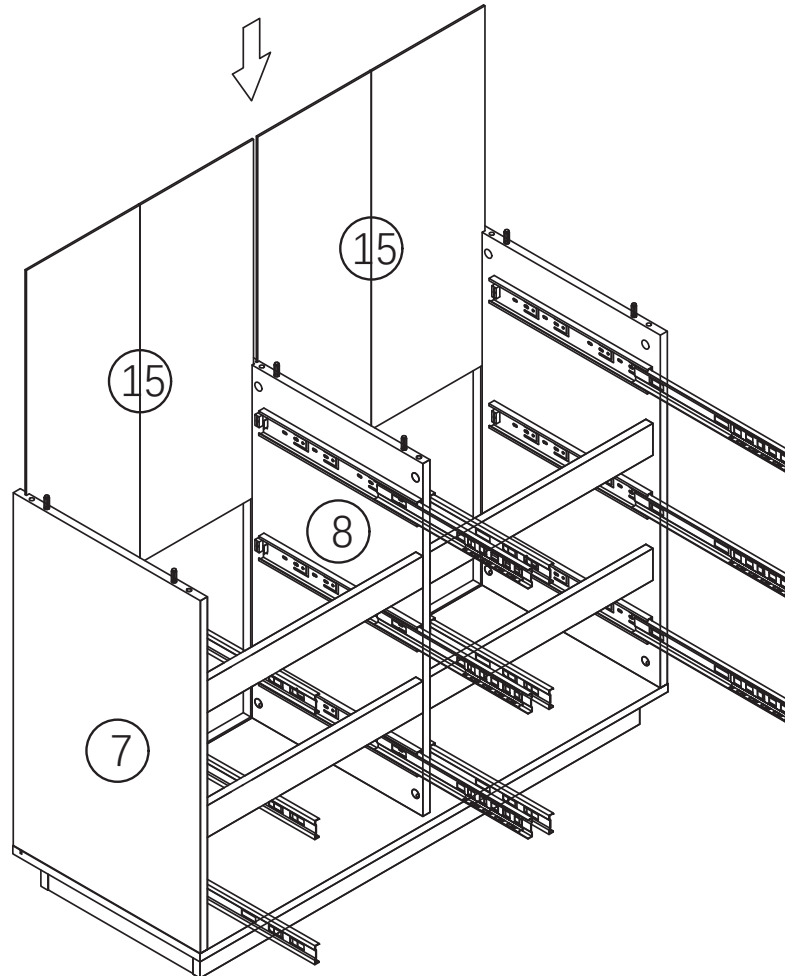
14

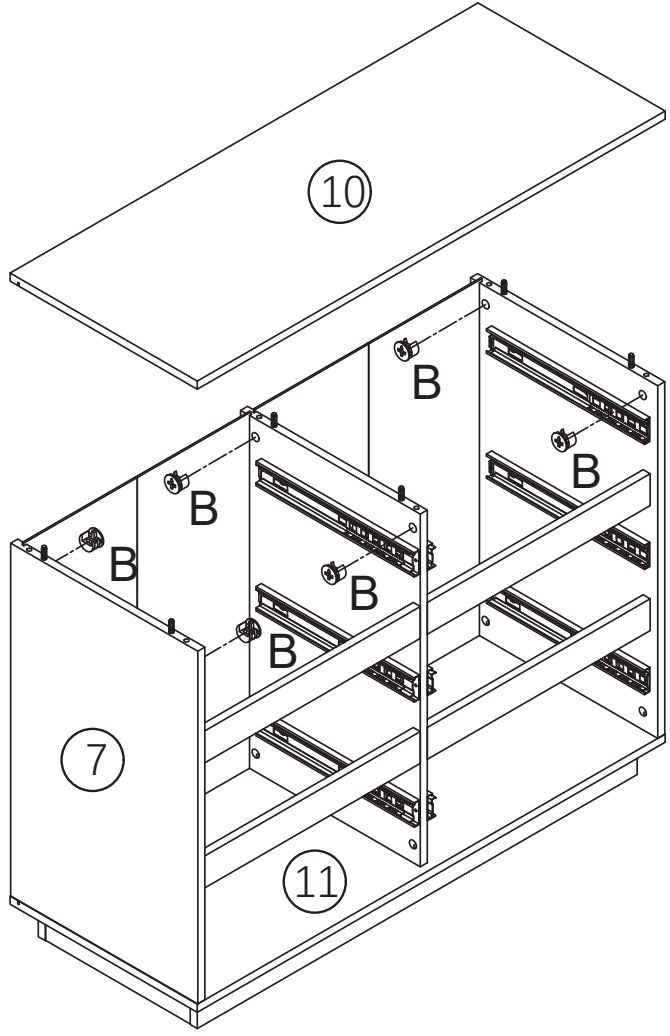


Put B on (7) (8) (9)

B\*6

15

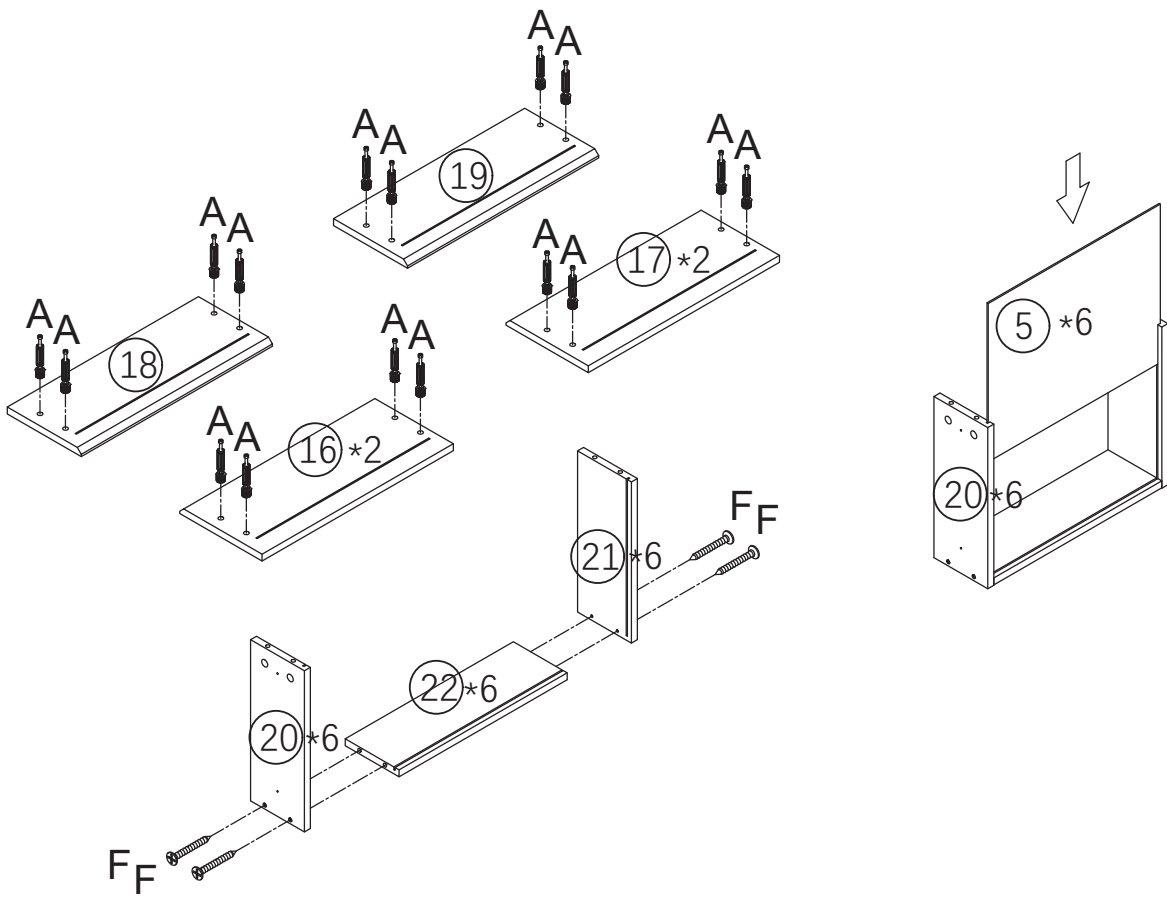




Put B on (7) (8) (9)

B\*6

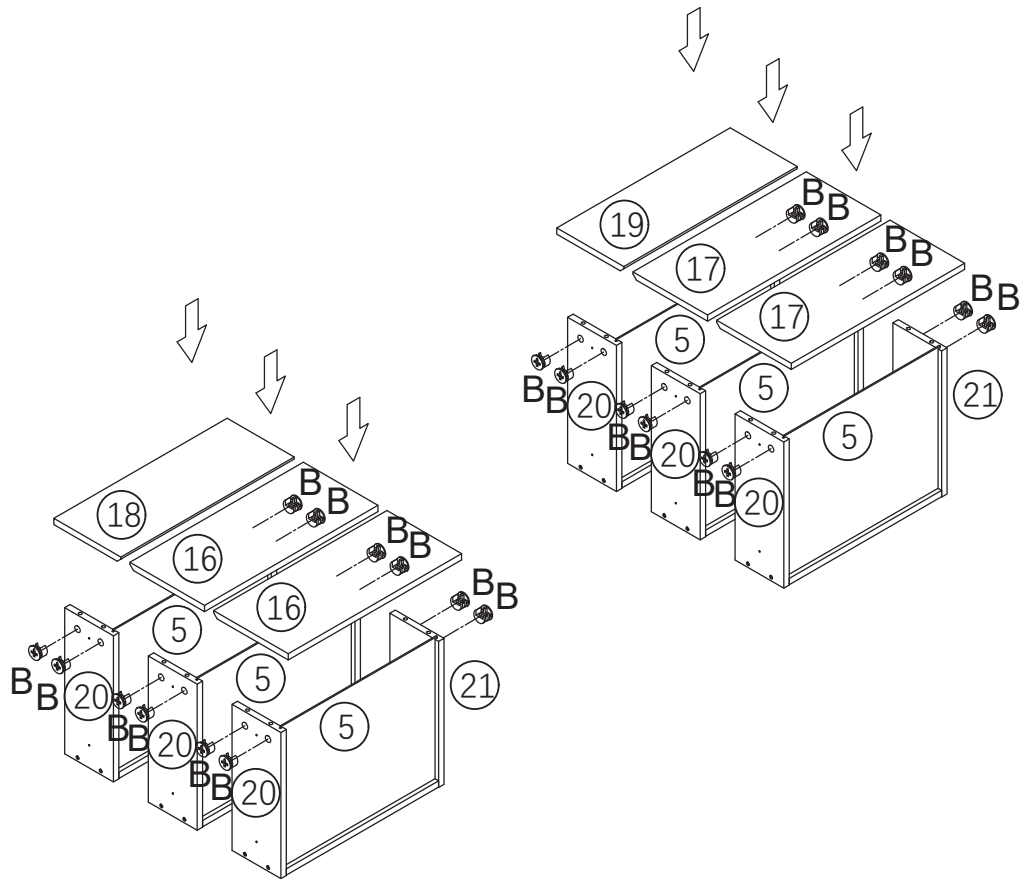
17



Put A on (16) (17) (18) (19)

A\*24 F\*24

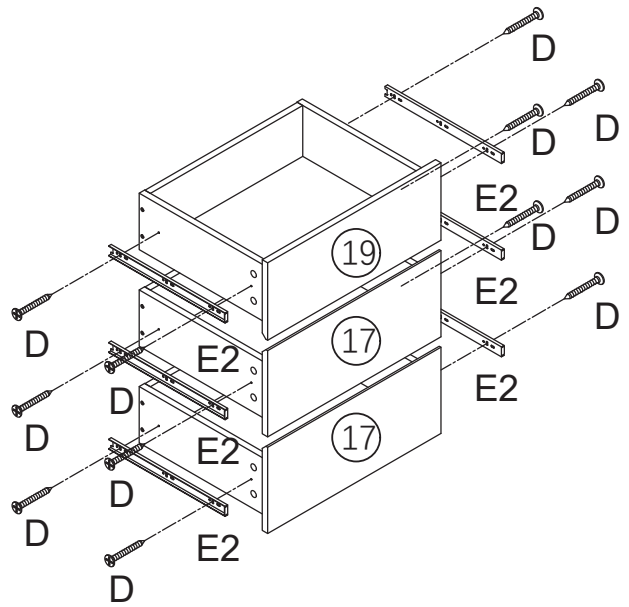
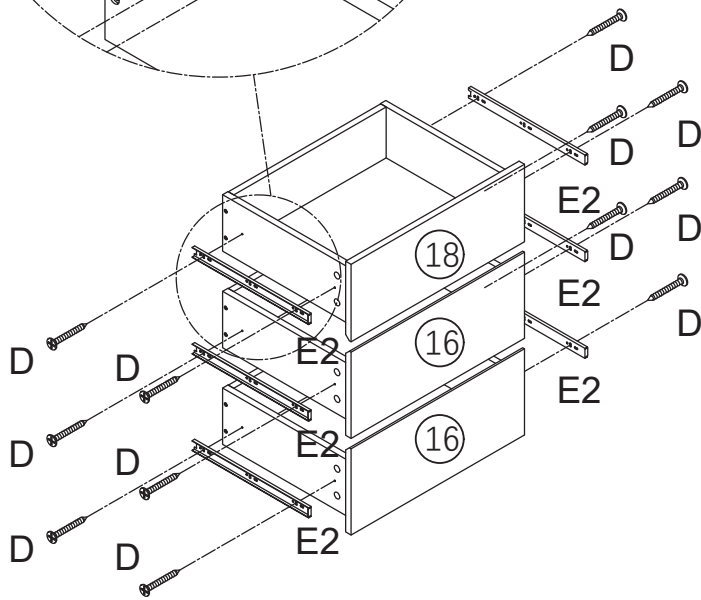
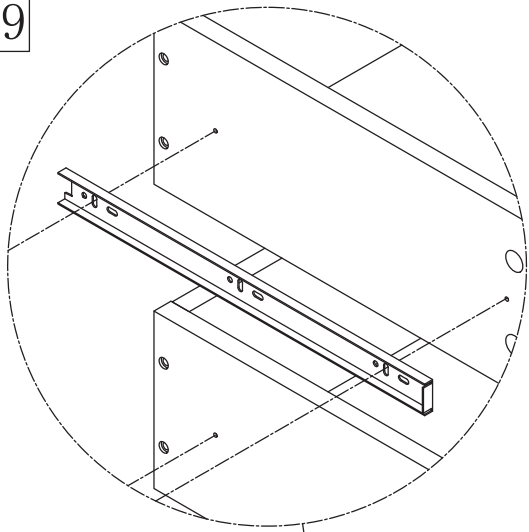
18



Put B on (20) (21)

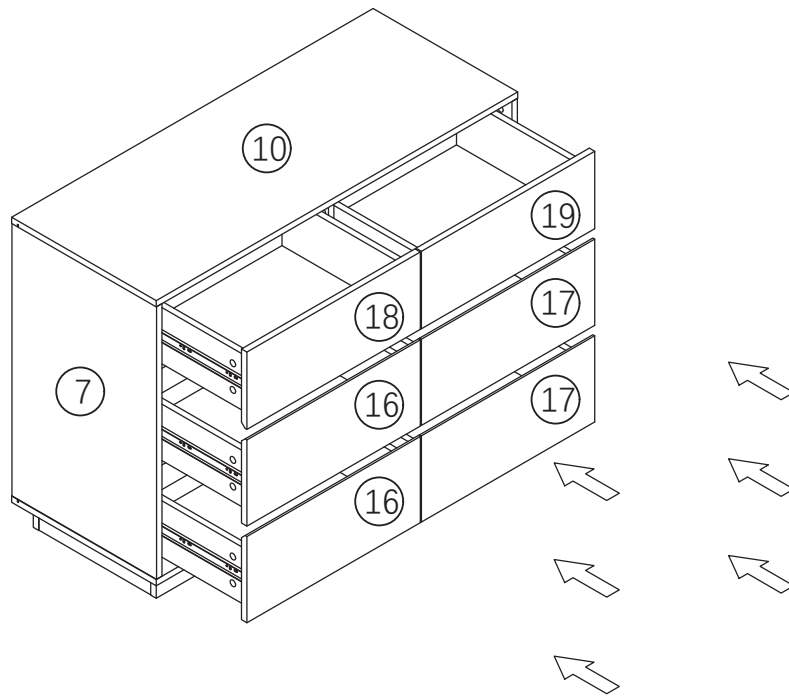
B\*24

19

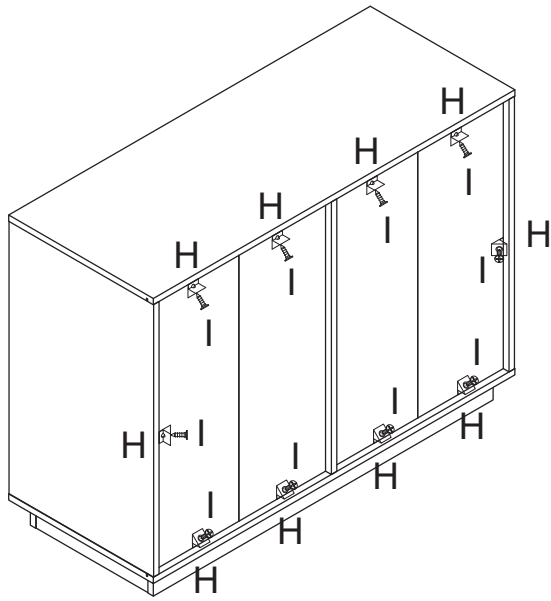


D\*24 E2\*12

20

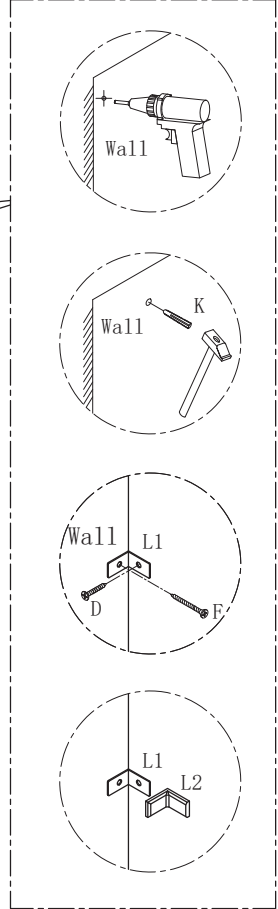
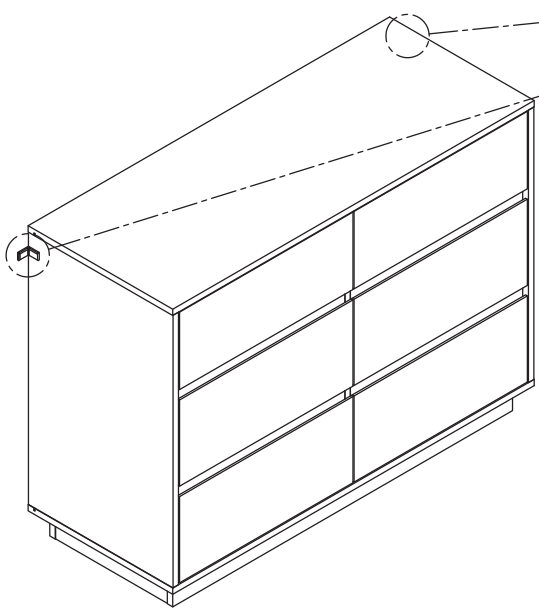


21

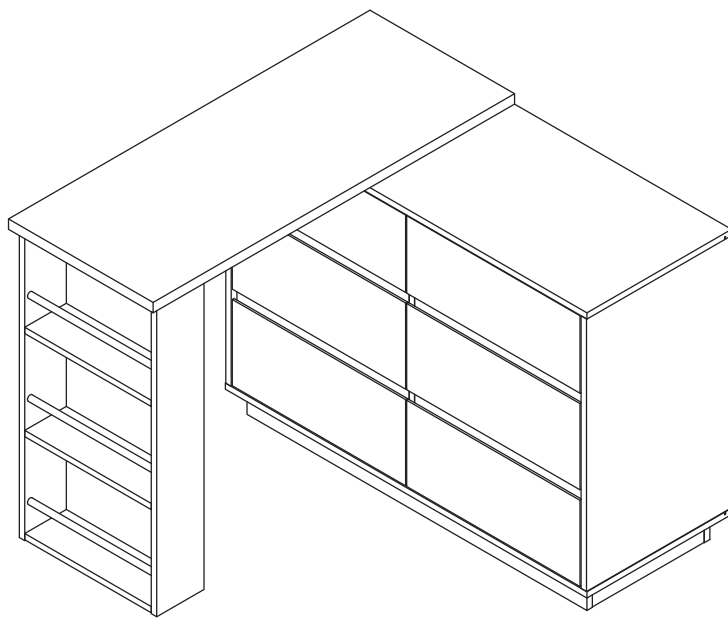


H\*10 I\*10

22



D\*2 F\*2 K\*2 L\*2



End