
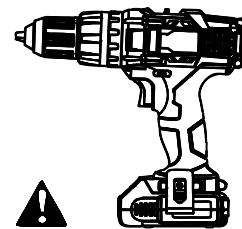
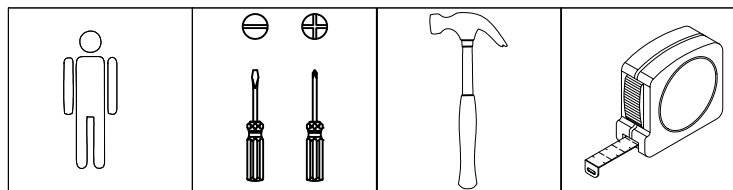

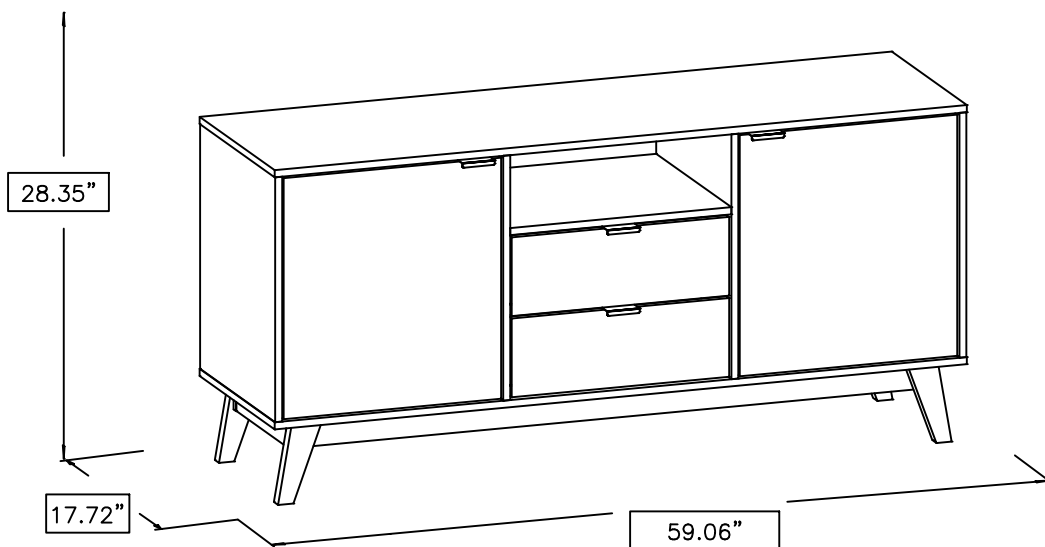


# ASSEMBLY INSTRUCTIONS

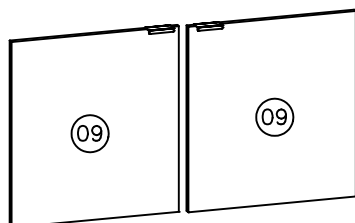
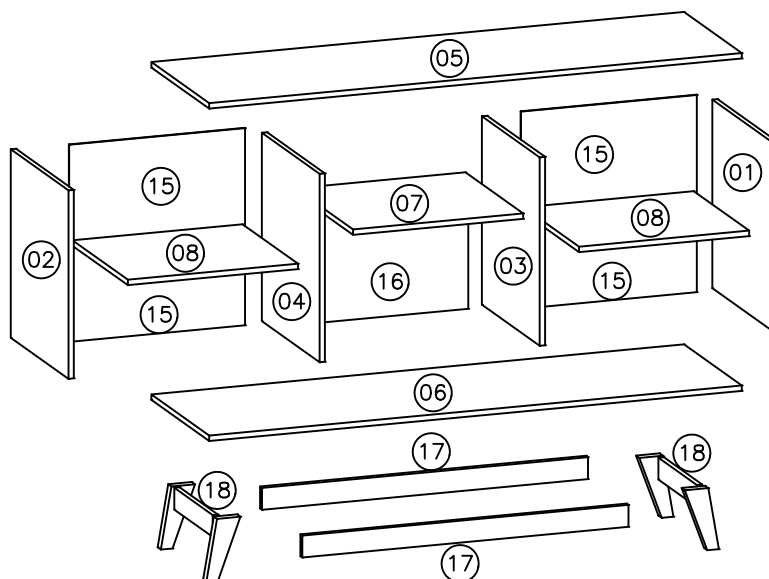
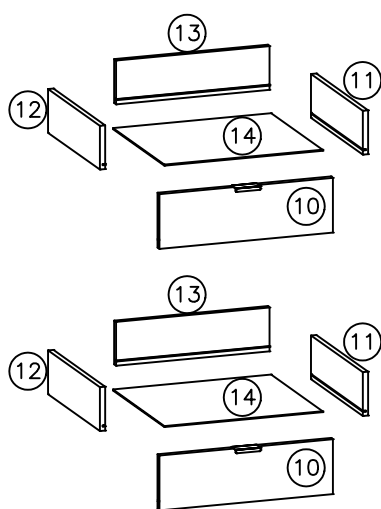
 Warning – CHOKING HAZARD – Small Parts Not for children under 3 years. Adult assembly required.



 Although not required, it is recommended that a drill be used to help ease the assembly process, as some holes are not pre-drilled.

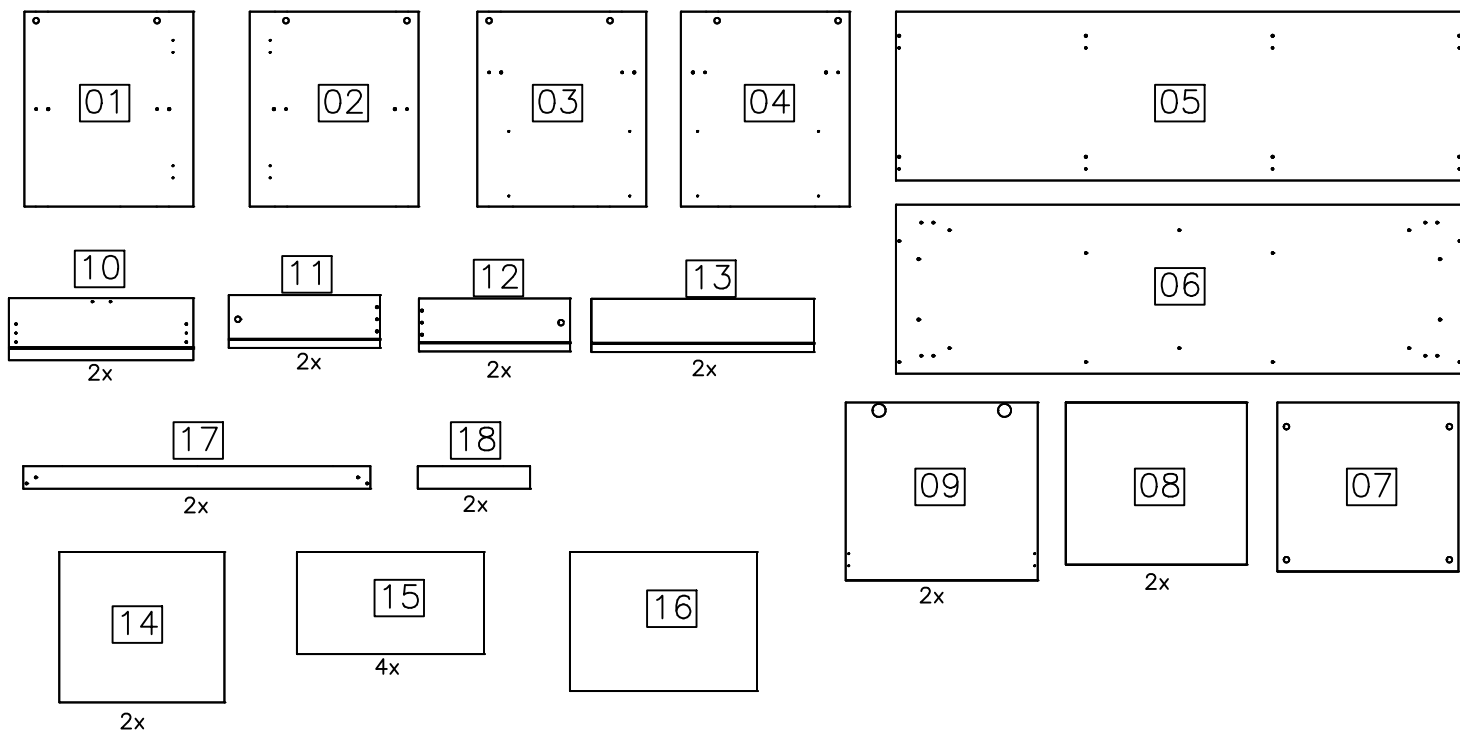



## Part Identification

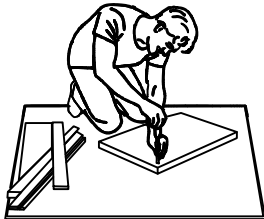


List of pieces

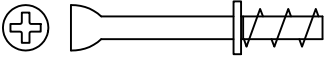
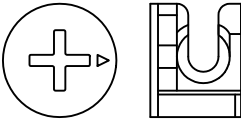

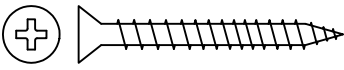
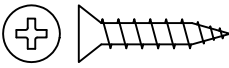


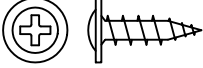
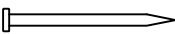
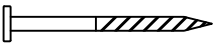
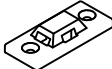

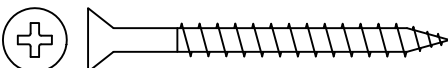

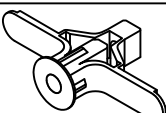
Code	Description	Descrição (Internal production data)	Amount	Length (in.)	Width (in.)	Thickness (in.)	Box
01	Right side panel	Lateral direita	1	20.31"	17.60"	.59"	A
02	Left side panel	Lateral esquerda	1	20.31"	17.60"	.59"	A
03	Right Divider	Divisória direita	1	20.31"	17.60"	.59"	A
04	Left Divider	Divisória esquerda	1	20.31"	17.60"	.59"	A
05	Top	Tampo	1	59.02"	17.60"	.59"	A
06	Bottom/Base	Base	1	59.02"	17.60"	.59"	A
07	Top of drawers	Tampo das gavetas	1	18.86"	17.60"	.59"	A
08	Fixed shelf	Prateleira fixa	2	18.86"	16.89"	.59"	A
09	Doors	Portas	2	18.54"	20.00"	.59"	A
10	Drawer front	Frente de gaveta	2	18.54"	6.54"	.59"	A
11	Right Side of Drawer	Lateral de gaveta direita	2	15.75"	4.72"	.59"	A
12	Left Side of Drawer	Lateral de gaveta esquerda	2	15.75"	4.72"	.59"	A
13	Back of Drawer	Cabeceira de gaveta	2	16.69"	4.72"	.59"	A
14	Base of Drawer	Fundo de gaveta	2	17.20"	15.67"	.12"	A
15	Smaller Back Panel	Costa menor	4	19.49"	10.63"	.12"	A
16	Larger Back Panel	Costa maior	1	19.49"	14.49"	.12"	A
17	Larger baseboard	Rodapé maior	2	54.96"	2.36"	.59"	A
18	Small baseboard	Rodapé menor	2	11.69"	2.36"	.59"	A

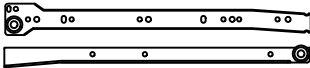
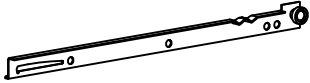
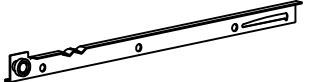
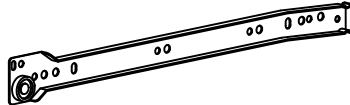
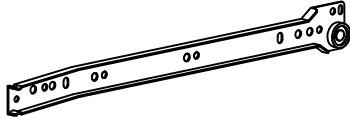
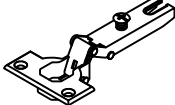

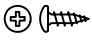
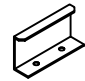
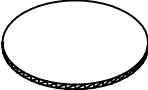



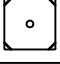



 We Recommend you use the Box that your furniture came in as the base for your work space. This can help prevent and unnecessary damages from occurring.



## Hardware

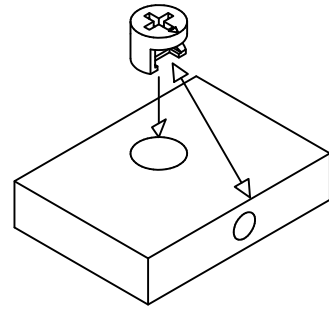
	Code	Description	Amou.
PM	30945	 Cam Screws	24
TM	30950	 Cam Locks	24
PE18	75515	 Screw 5x40	30
PC7	10568	 Screw 4x35	4
PC5	5256	 Screw 4x20	4
C1	1802	 Dowel 6x30mm	52
PC3	4214	 Screw 3,5x14	16
PF2	25827	 Screw 3,5x14	8
PR1	107	 Nail 10x10	61
PR2	108	 Nail 12x12	4
<b>Anti-tipping installation</b>			
<p><b>Warning:</b> For Measures of Safety, it is recommended that this item be fixed to the wall, to avoid overturning, if this happens it can cause serious or fatal injuries.</p> <p><b>ATENCION:</b> Por medidas de seguridad se recomienda fijar el mueble a la pared para evitar Volcamiento del mismo, si esto llegase a ocurrir puede causar lesiones graves o fatales.</p>			
SF	55606	 Mounting bracket	2
ANY	55607	 Clamp	1
PC10	51980	 Screw 4,5x50	2
PF4	1178	 Screw 3,5x16 BC	2
BG	32069	 Adapter sleeve	2

CM4	5288		400mm metal slide set	2
CM4A			Right Drawer slide	
CM4B			Left drawer slide	
CM4C			Metallic slide for left sided panel	
CM4D			Metallic slide for right sided panel	
D08	61969		Hinge 35mm	4
	62435		Hinge shim	4
	61971		Screw 4,0x14	16
PX	<u>ITAR1=59294</u> <u>BRIT1/BR=59291</u>		Handle	4
TP1	<u>BRIT1=44156</u> <u>BR=44156</u> <u>ITR1=40392</u>		Screw cap cover 19mm	12
P1	<u>BRIT1/ITAR1=62930</u> <u>BR=62928</u>		Foot	4
CZ3	58788		Allen key	1
SD	1901		Shoe black	4
FC	1423		Shore Fixer	18
S5	18458		Black triangular support	4

## Helpful Tips

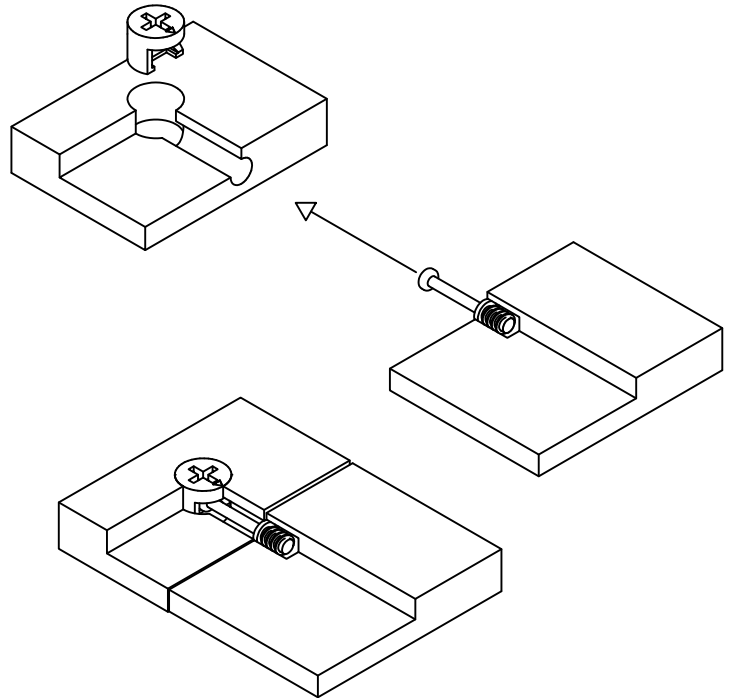
### INSTALLING CAM

Identify arrow on head of cam. Arrow MUST point toward hole in edge of panel. Push cam all the way down into hole.



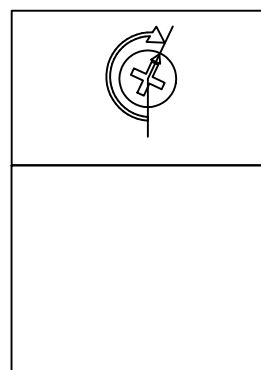
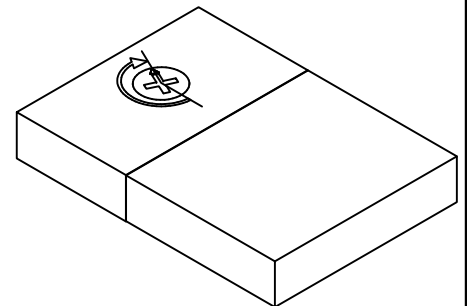
### CAM AND DOWEL ALIGNMENT

Ensure the arrow on the cam points toward hole and insert cam dowel into hole. Make sure pieces join together.



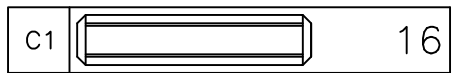
### TIGHTENING CAM

Use screwdriver to turn cam. Turn cam (clockwise) until fully tightened. Slightly more than half a turn.

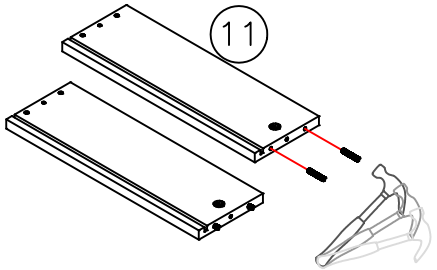


1A

# Drawer Preassembly

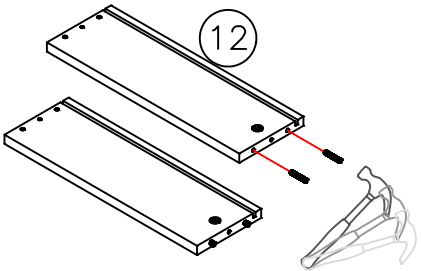


This process is repeated two times (x2)



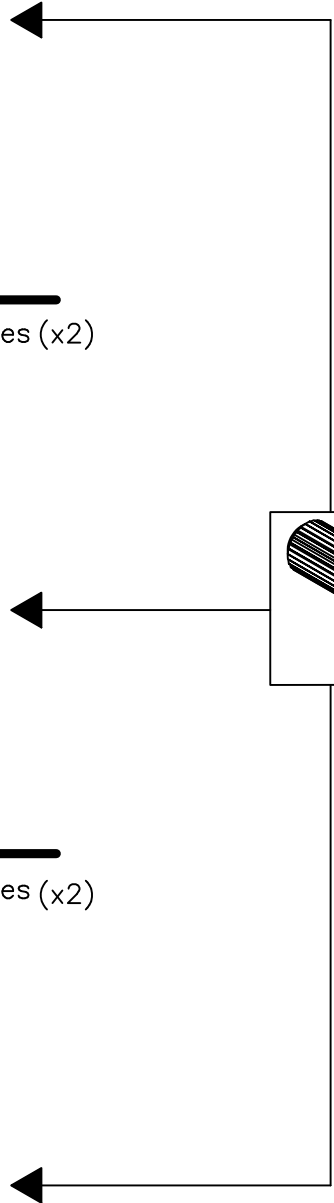
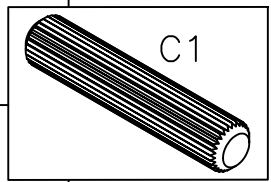
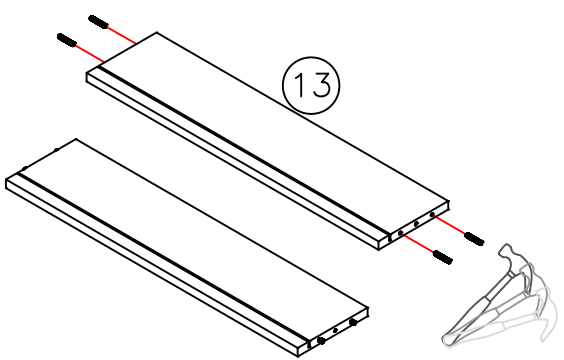
1B

This process is repeated two times (x2)



1C

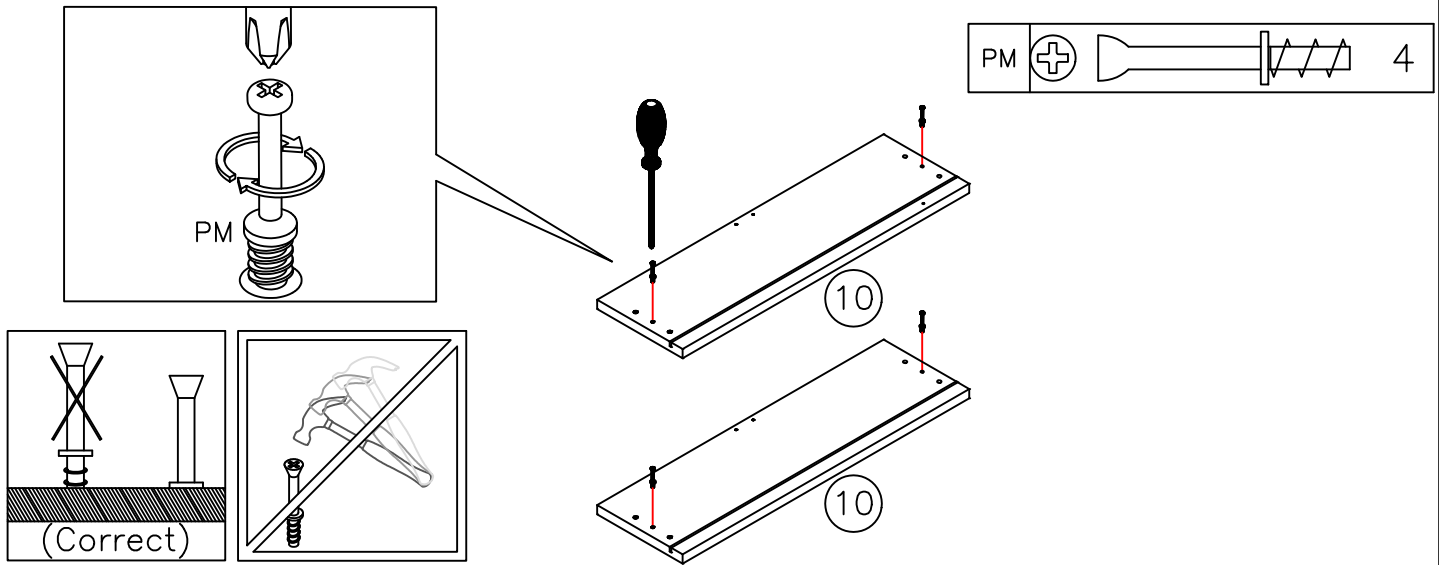
This process is repeated two times (x2)



**1D**

# Drawer Preassembly

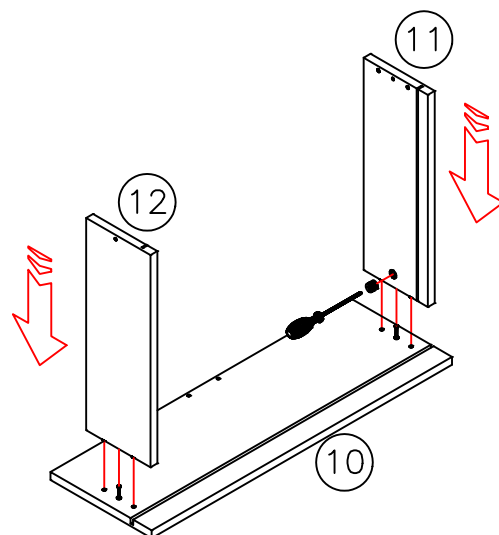
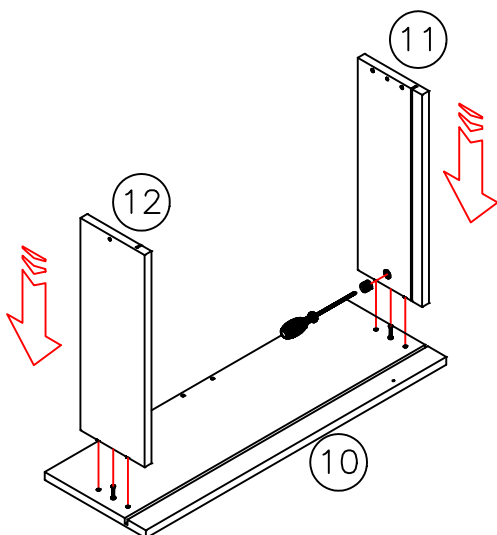
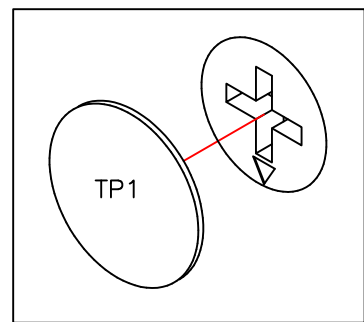
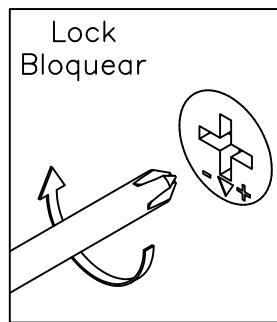
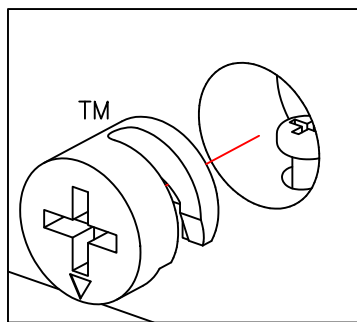
This process is repeated two times (x2)

**2**

# Drawers Mounting

This process is repeated two times (x2)

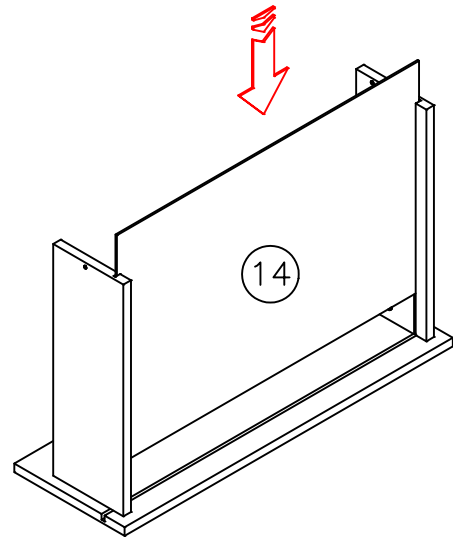
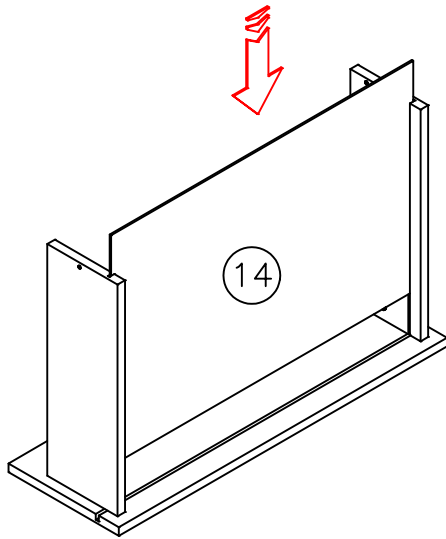
TM		4
TP1		4



3

### Drawers Mounting

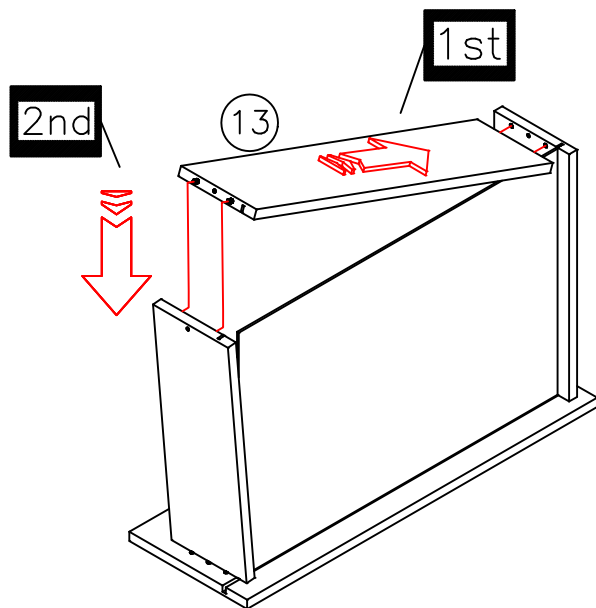
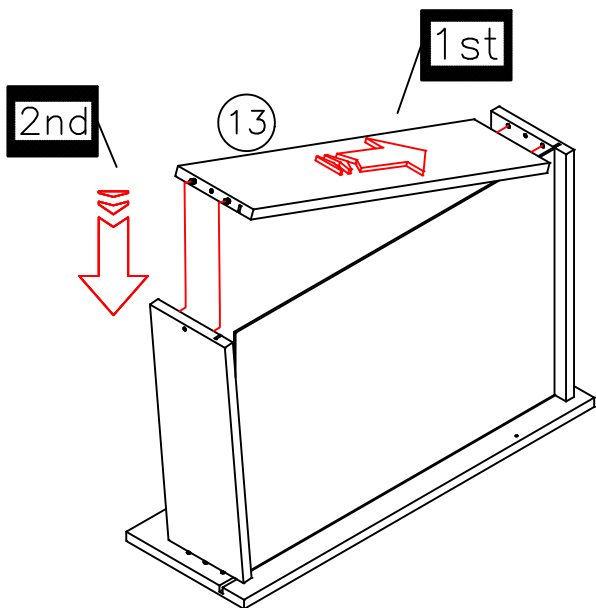
This process is repeated two times (x2)



4

### Drawers Mounting

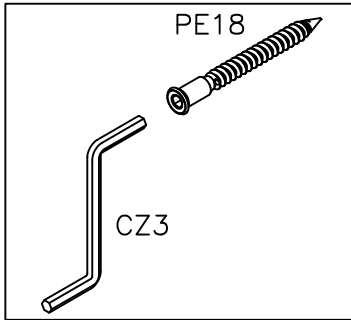
This process is repeated two times (x2)


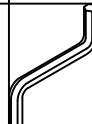


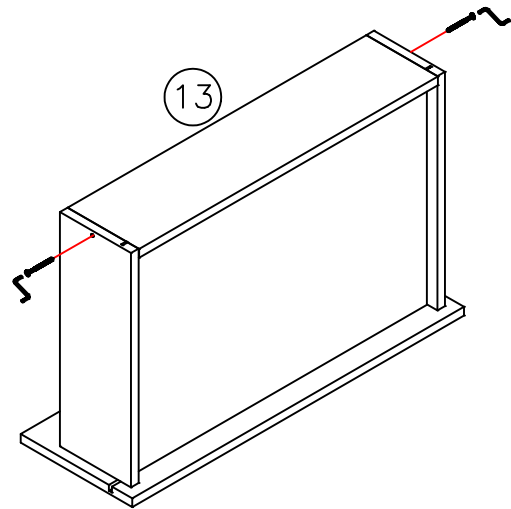
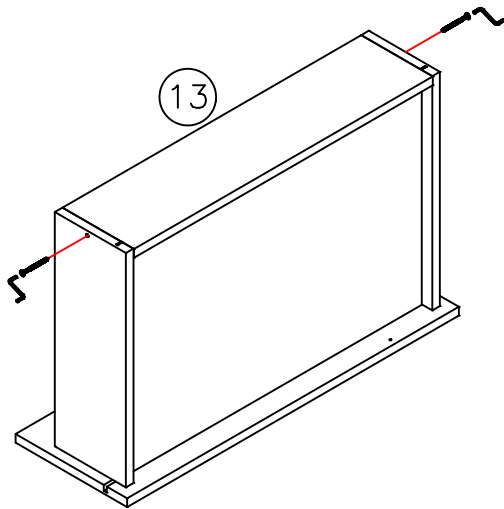
5

# Drawers Mounting

This process is repeated two times (x2)



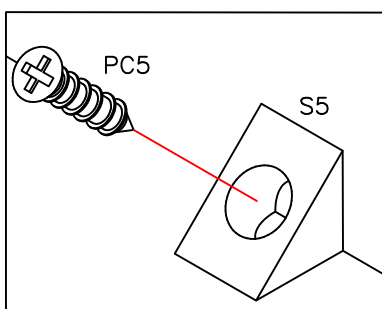
PE18		4
CZ3		1

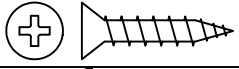
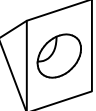


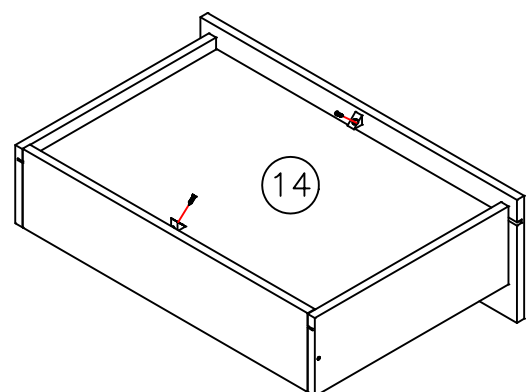
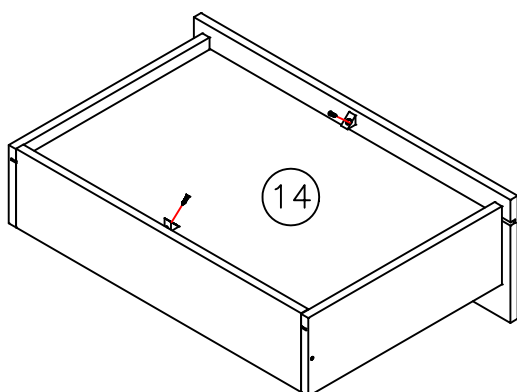
6

# Drawers Mounting

This process is repeated two times (x2)






PC5		4
S5		4

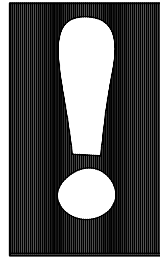


# 7

## Drawers Mounting

This process is repeated two times (x2)

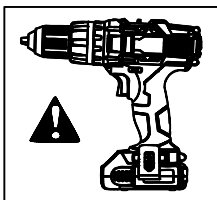
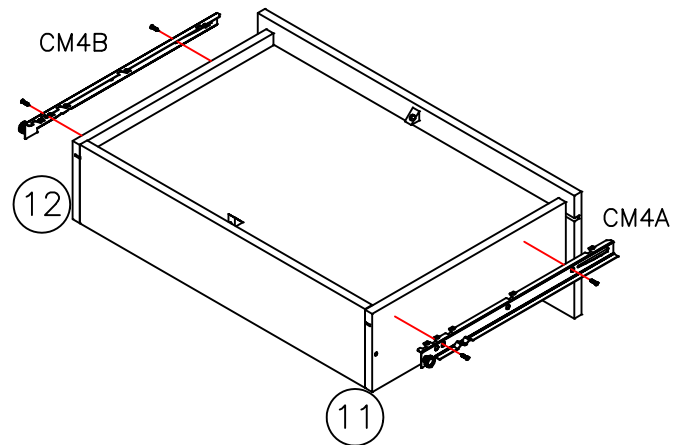
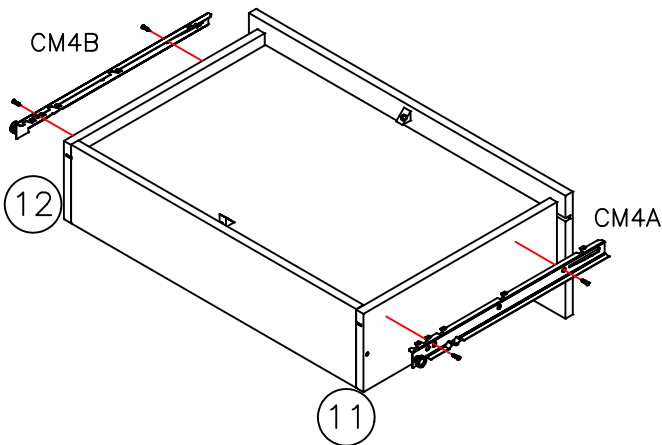
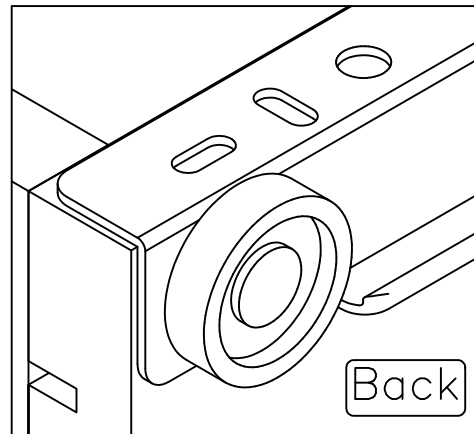
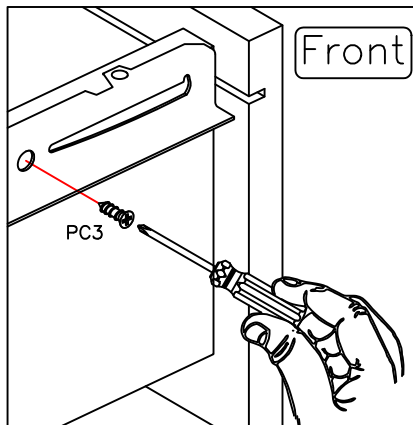
CM4A		2
CM4B		2
PC3		8



Please ensure that these screws are complete screwed in. As failure to do so could cause issues when installing the drawer.

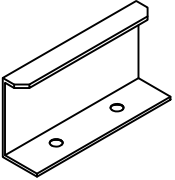
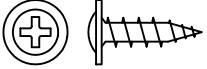


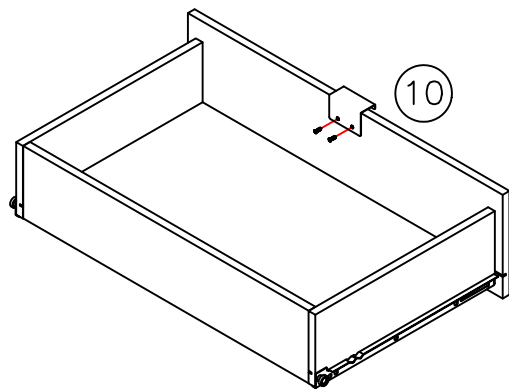
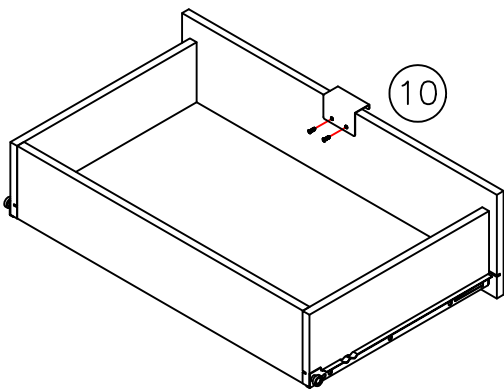
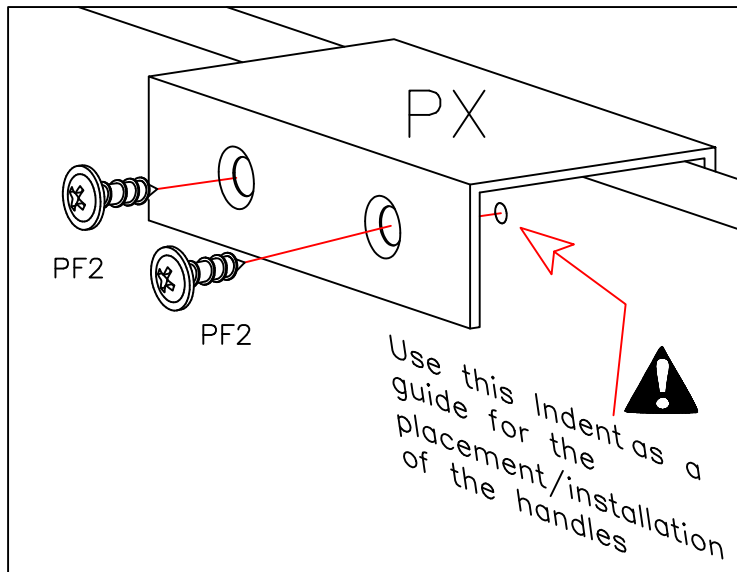
Wheels should Always be towards the back of the Drawers



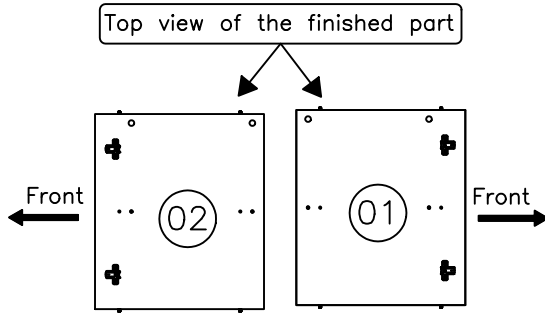
8

# Drawer final assembly

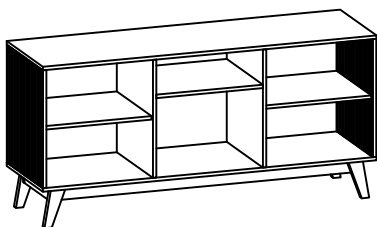
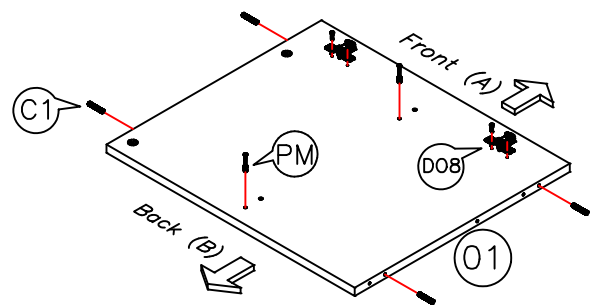
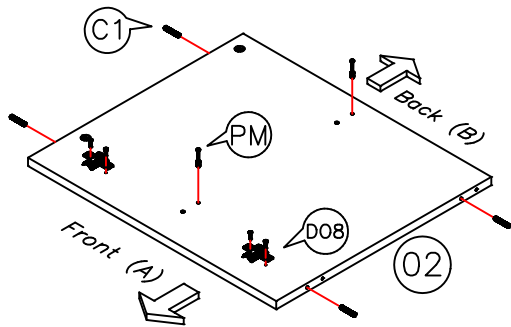
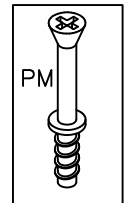
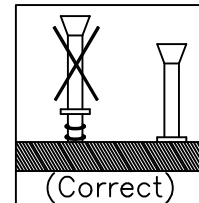
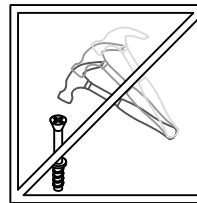
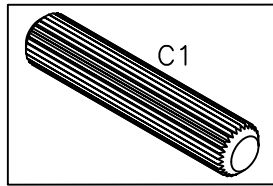
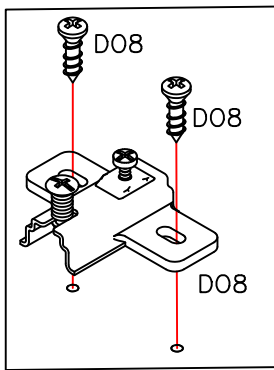
PX		2
PF2		4



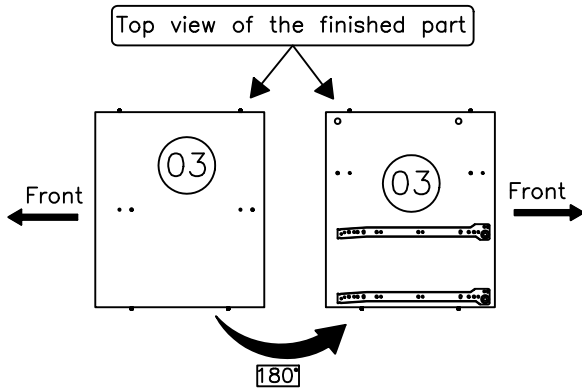
# Preassembly of parts



C1		8
PM		4
D08		4
		8

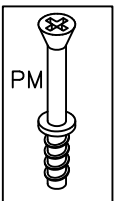
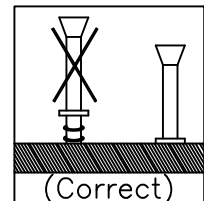
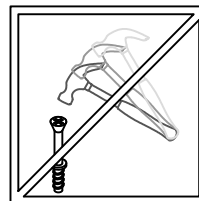
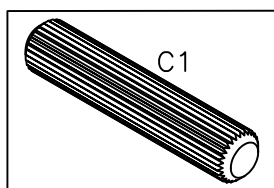
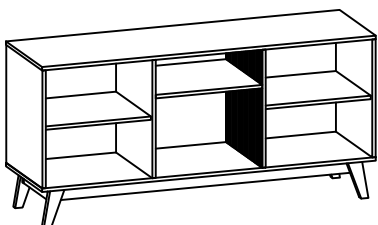
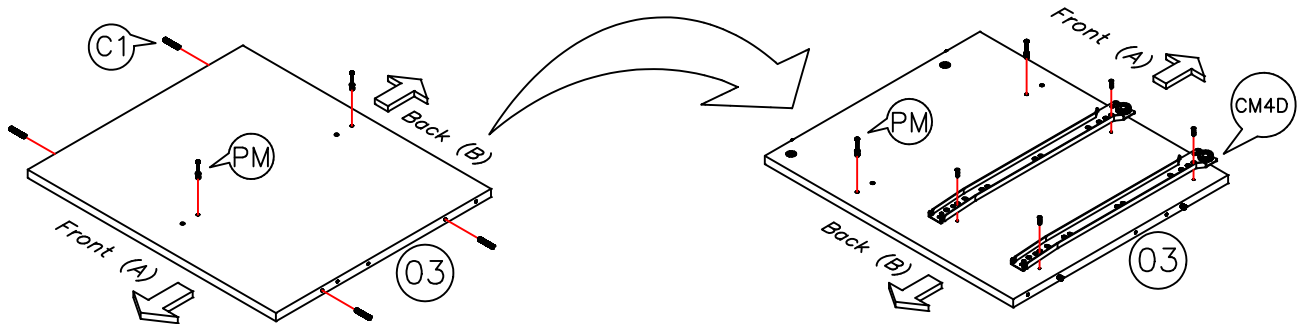
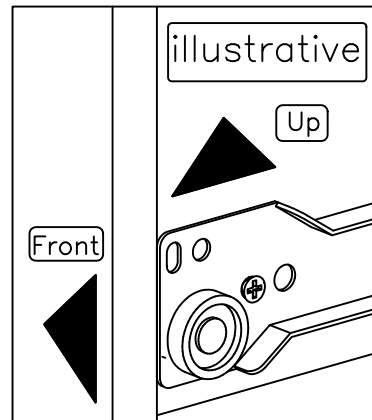
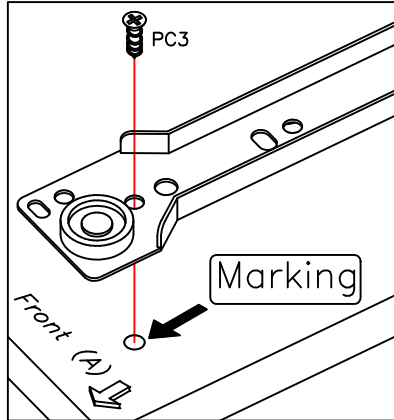
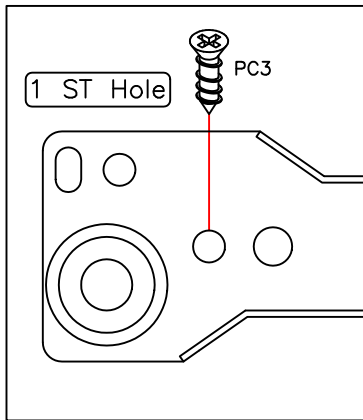


Preassembly of parts

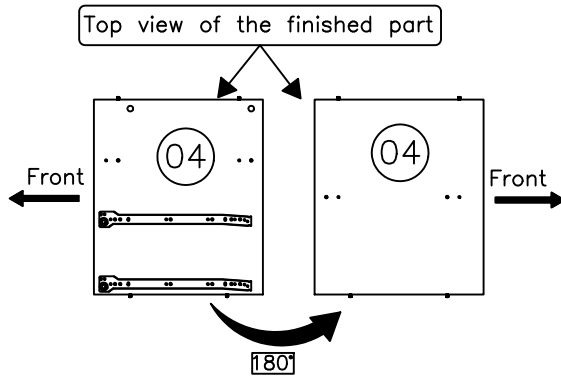


C1		4
PM		4
PC3		4
CM4D		2

Detailed view of CORRECT hole location in the rail for the "PC3" Screw

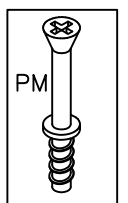
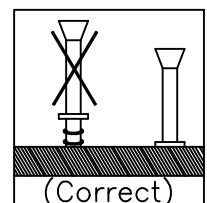
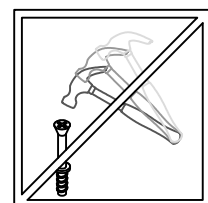
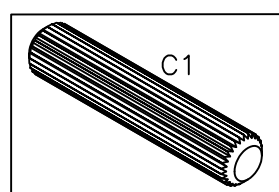
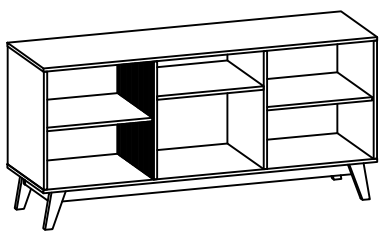
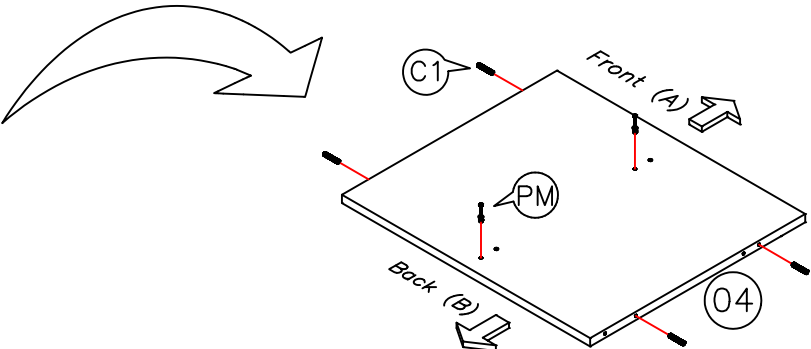
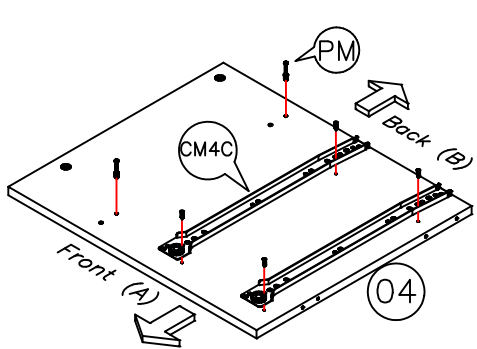
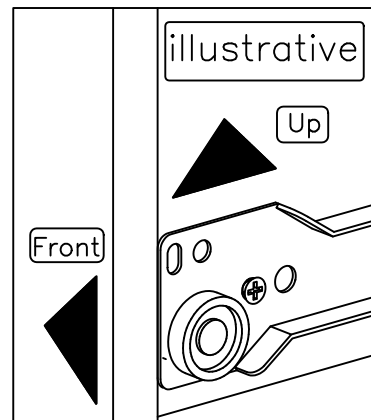
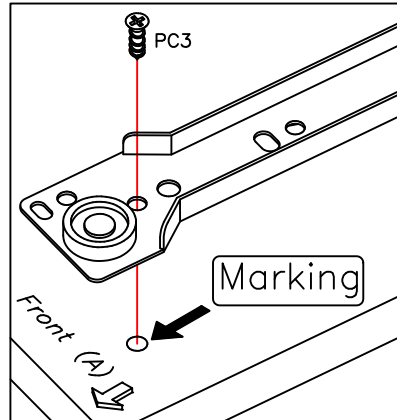
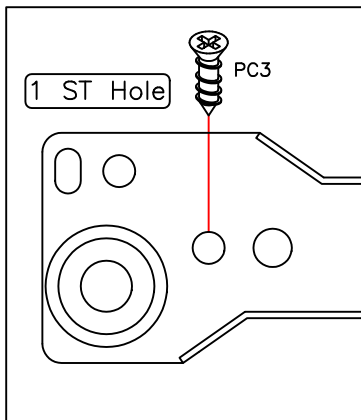


# Preassembly of parts



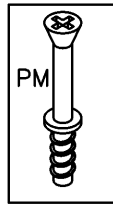
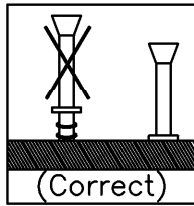
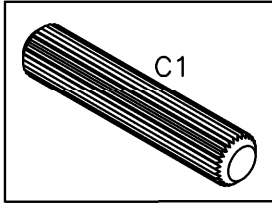
C1		4
PM		4
PC3		4
CM4C		2


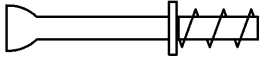
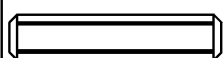
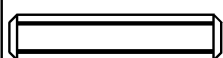
Detailed view of CORRECT hole location in the rail for the "PC3" Screw

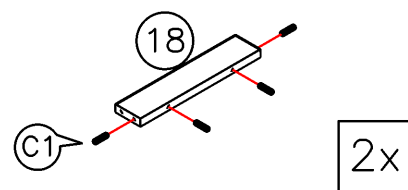
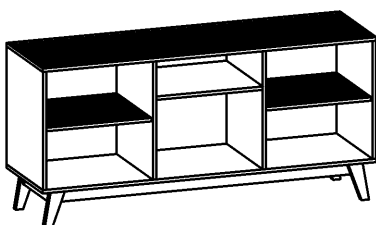
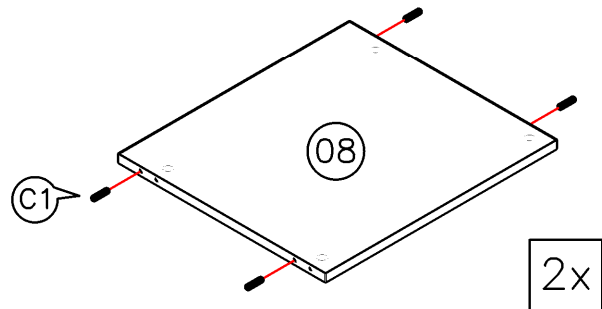
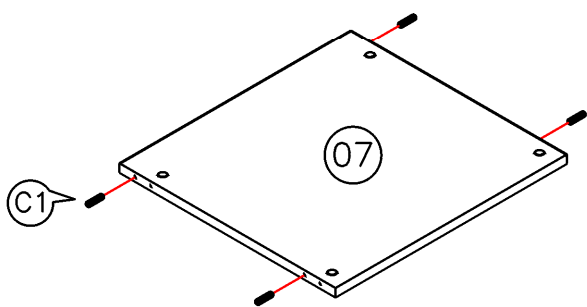
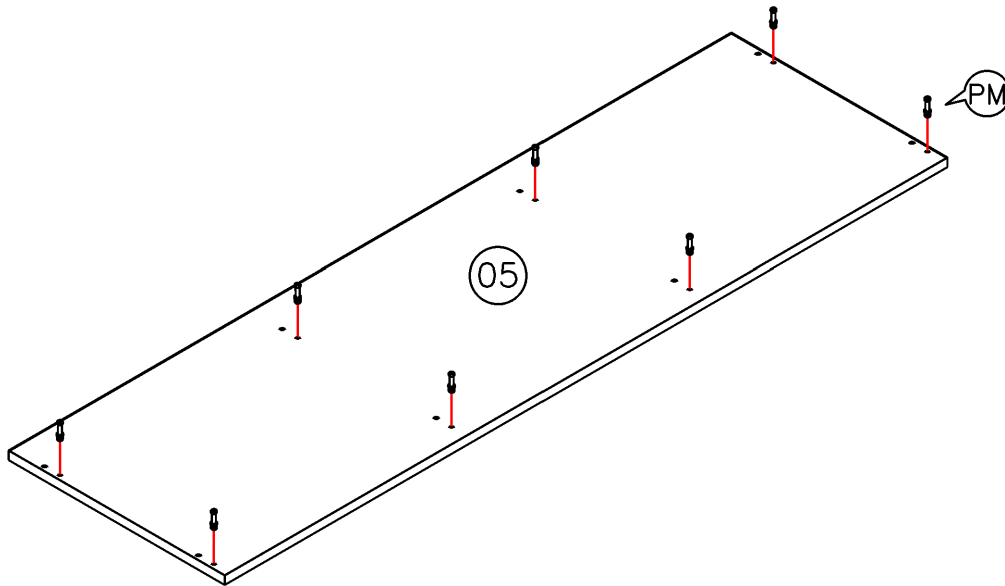


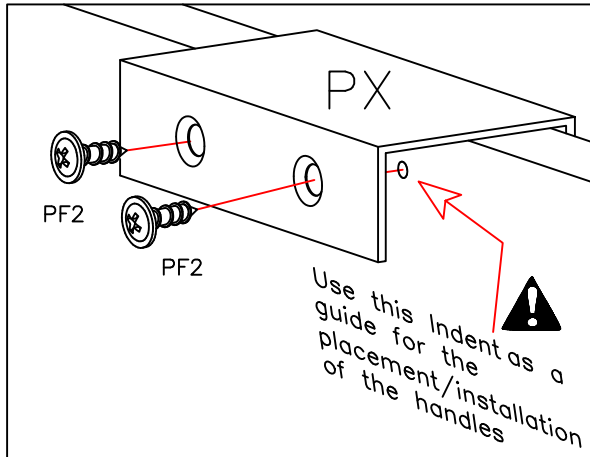
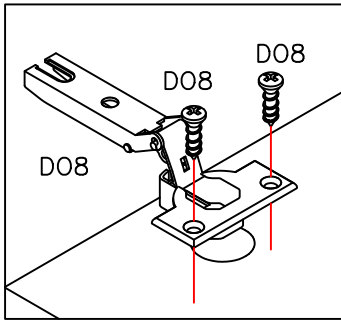
# 12

## Preassembly of parts



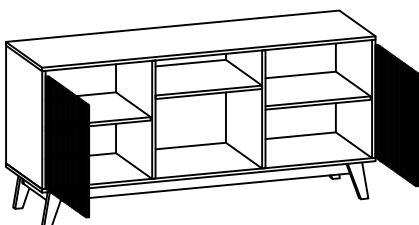
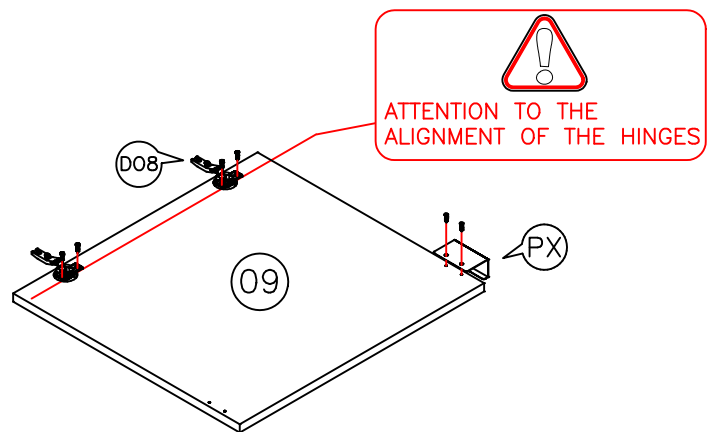
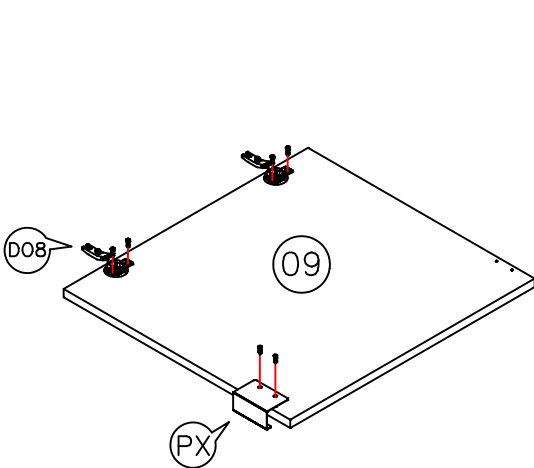
PM			8
C1			20





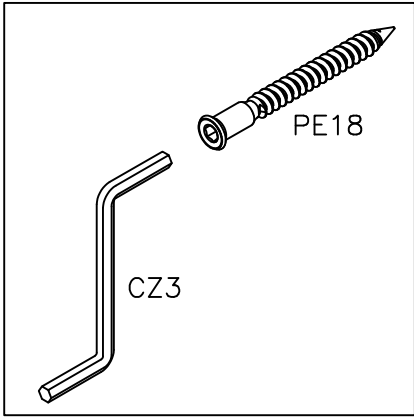
D08		4
		8
PX		2
PF2		4

Please pay attention to the orientation of the doors, as per the instructions for the proper placement of the handles. Since the handle must be placed on the opposite comers for a correct result.

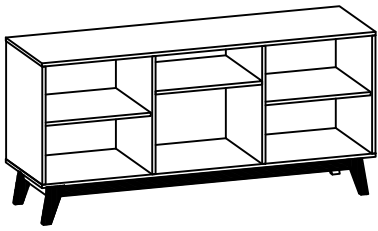
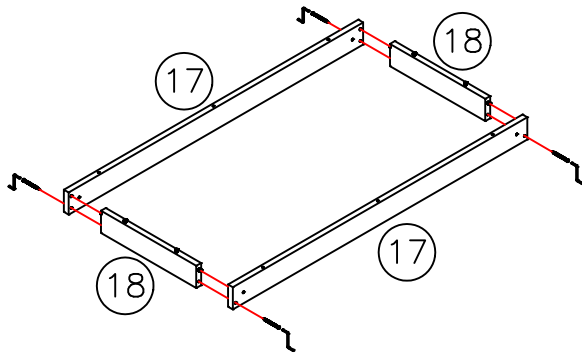


14

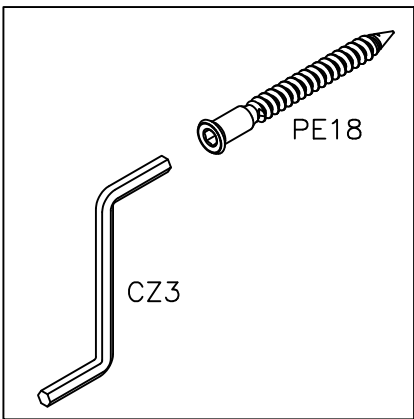
# Product Assembly



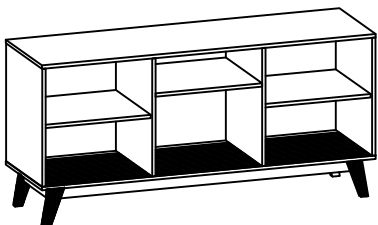
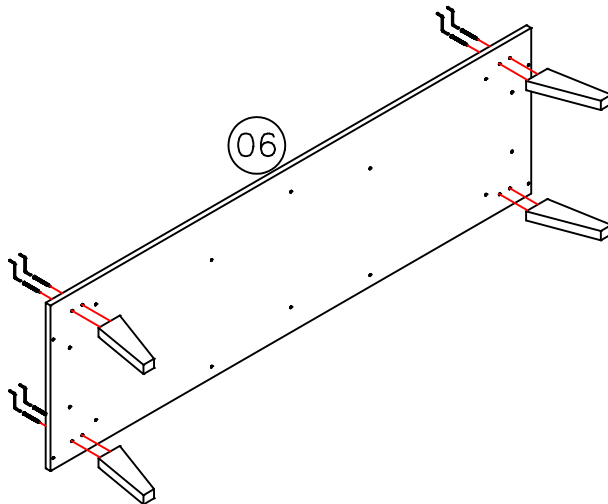
PE18		4
CZ3		1



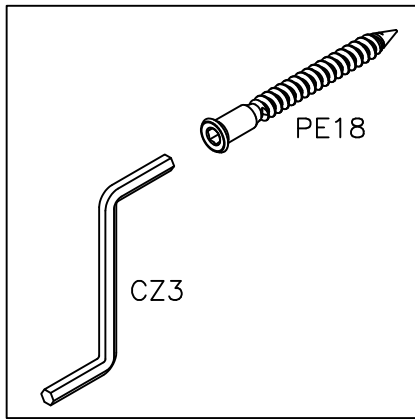
15



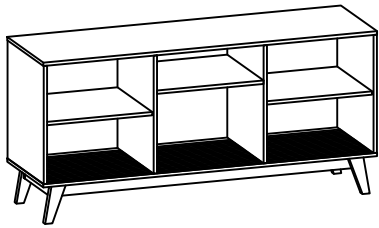
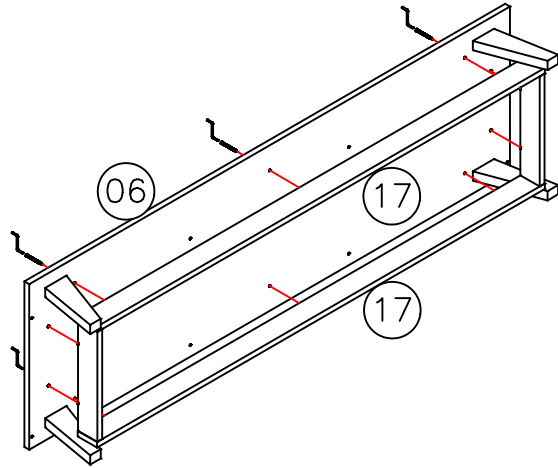
PE18		8
TP2		8
P1		4
CZ3		1



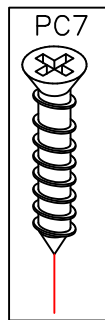
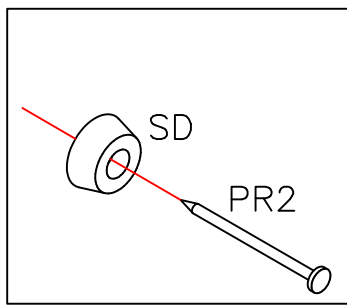
# 16



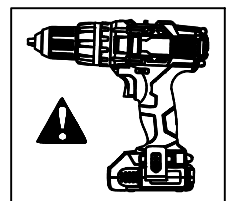
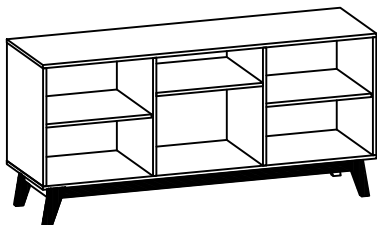
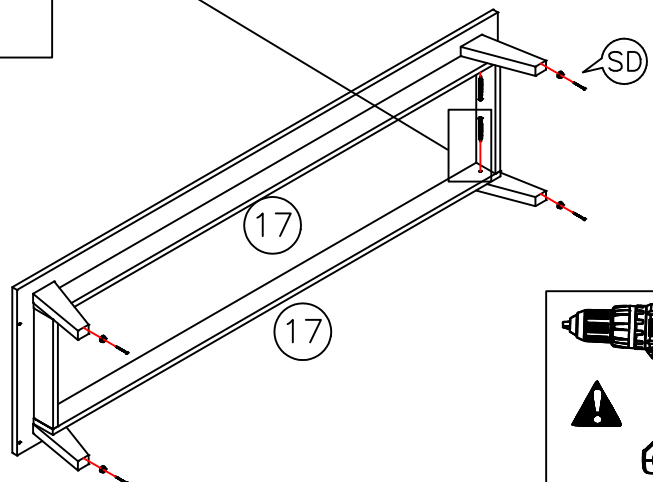
PE18		6
TP2		6
CZ3		1

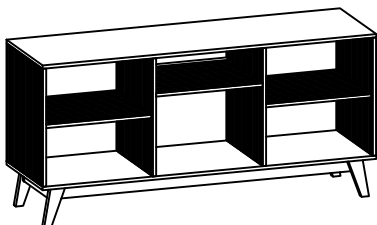
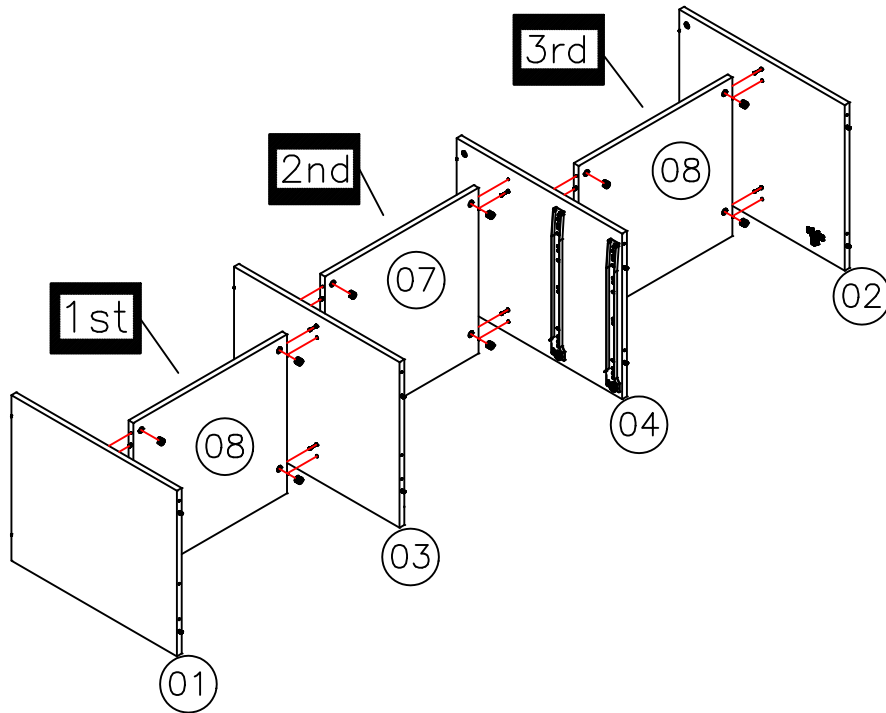
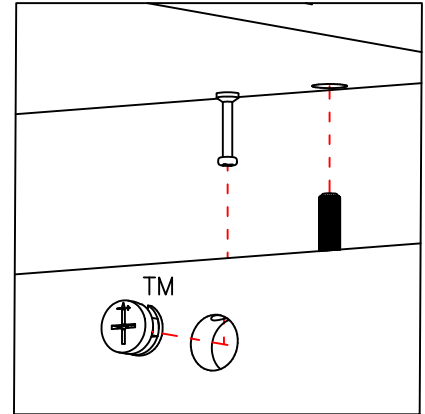
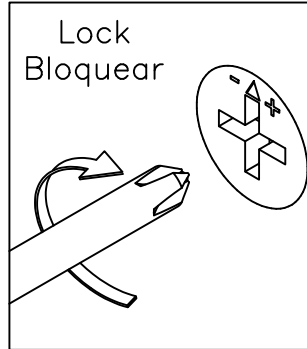
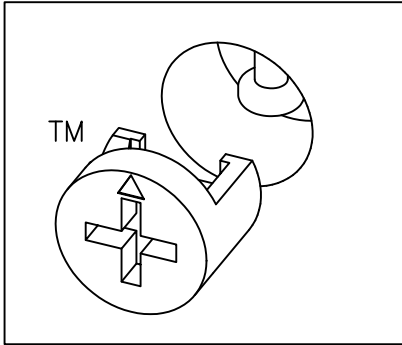
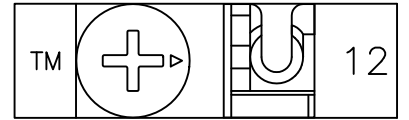


# 17

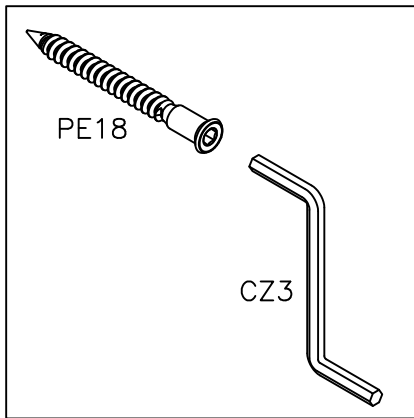


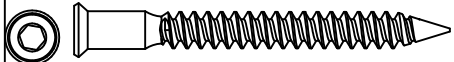
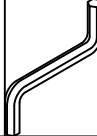
PC7		4
PR2		4
SD		4

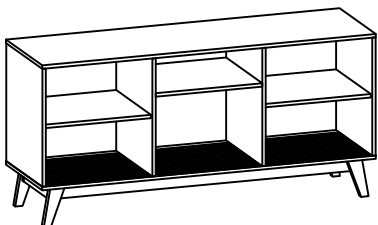
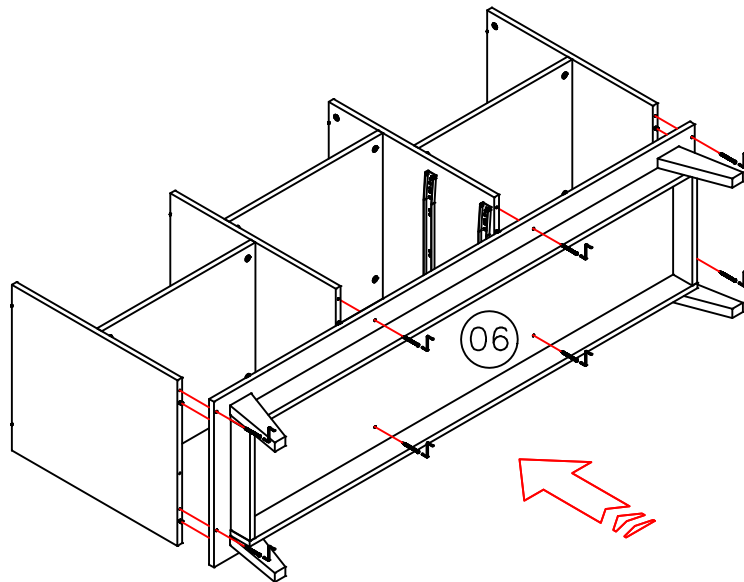


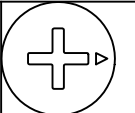
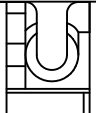



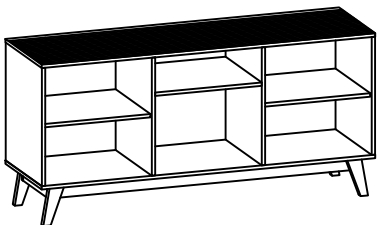
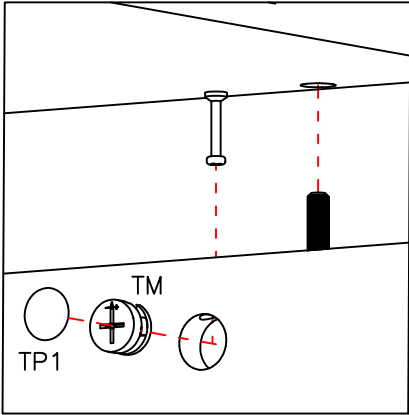
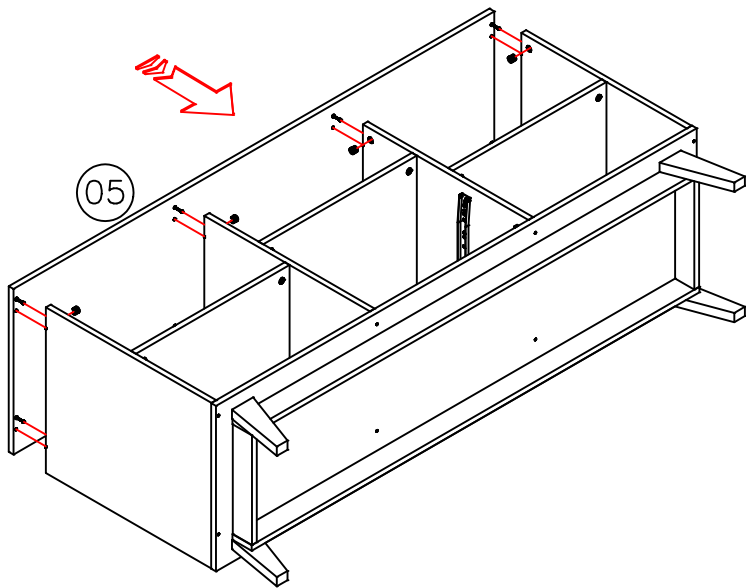
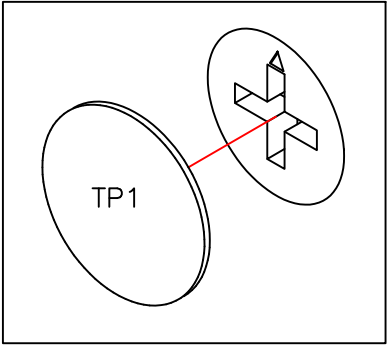
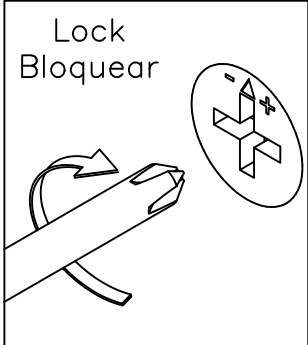
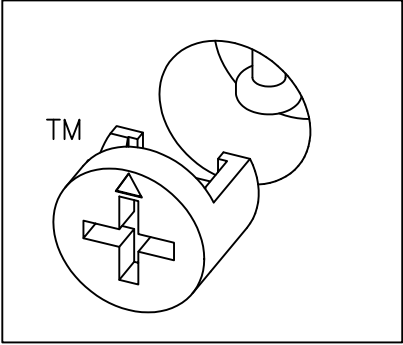
19



PE18		8
CZ3		1



TM			8
TP1			8



# Product Assembly

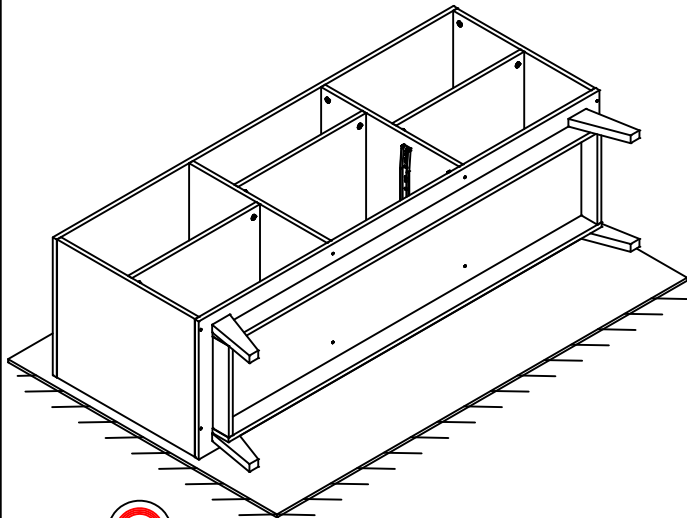


**Attention:** Ensure that when nailing the back parts in place, that it is being nailed as straight as possible to the top and sides.

Failure to do so can make the drawers appear crooked.

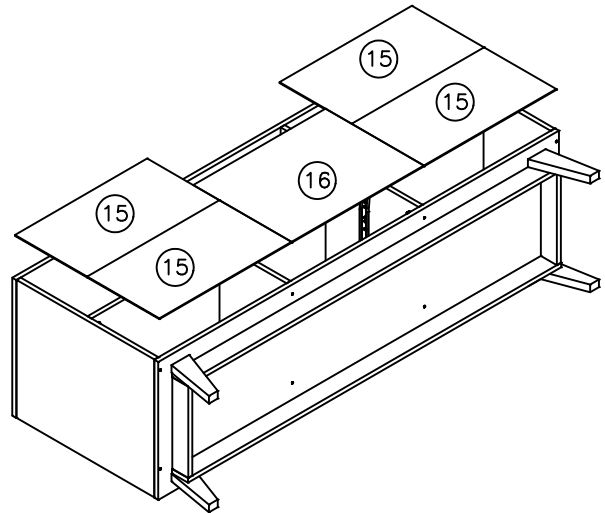
PR1		61
FC		18

1ST



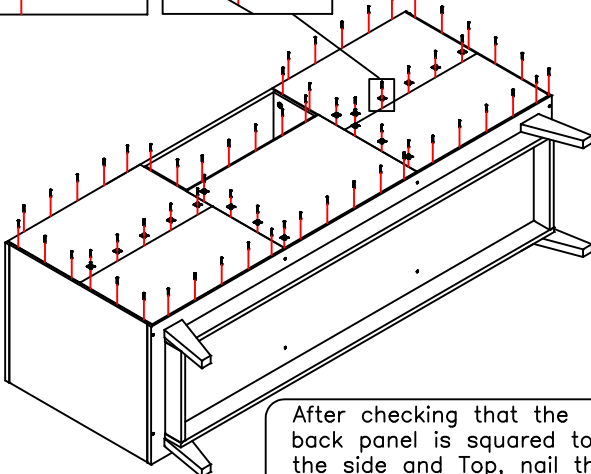
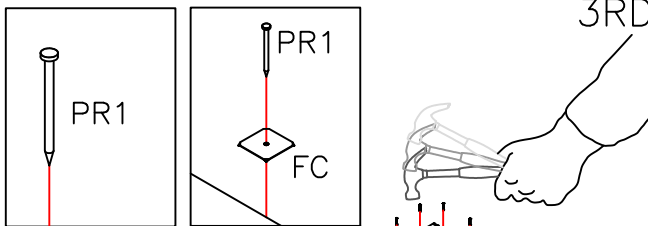
Carefully place the furniture on its front, on top the box in which it came to protect it when attaching the back panel.

2ND

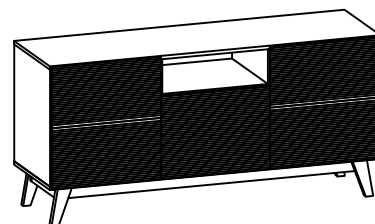
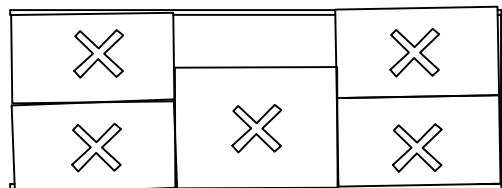
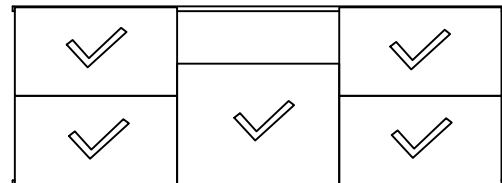


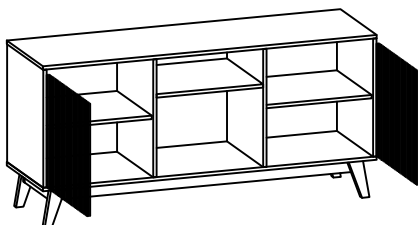
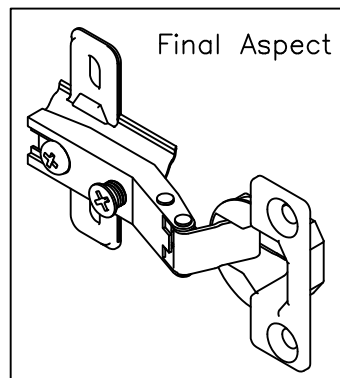
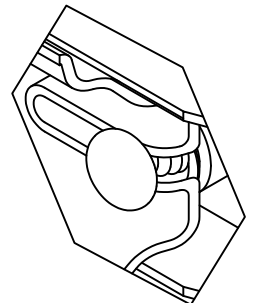
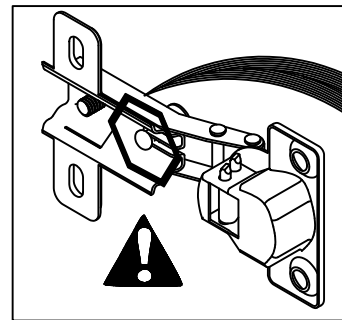
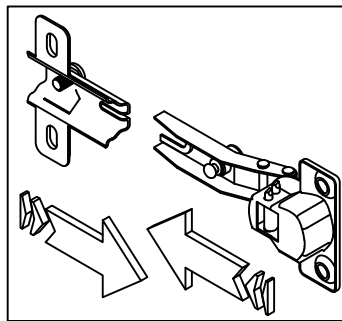
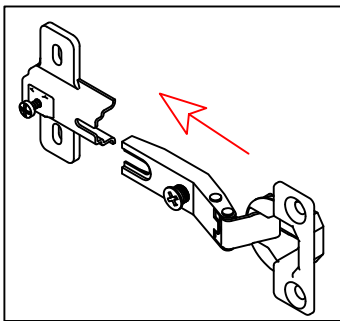
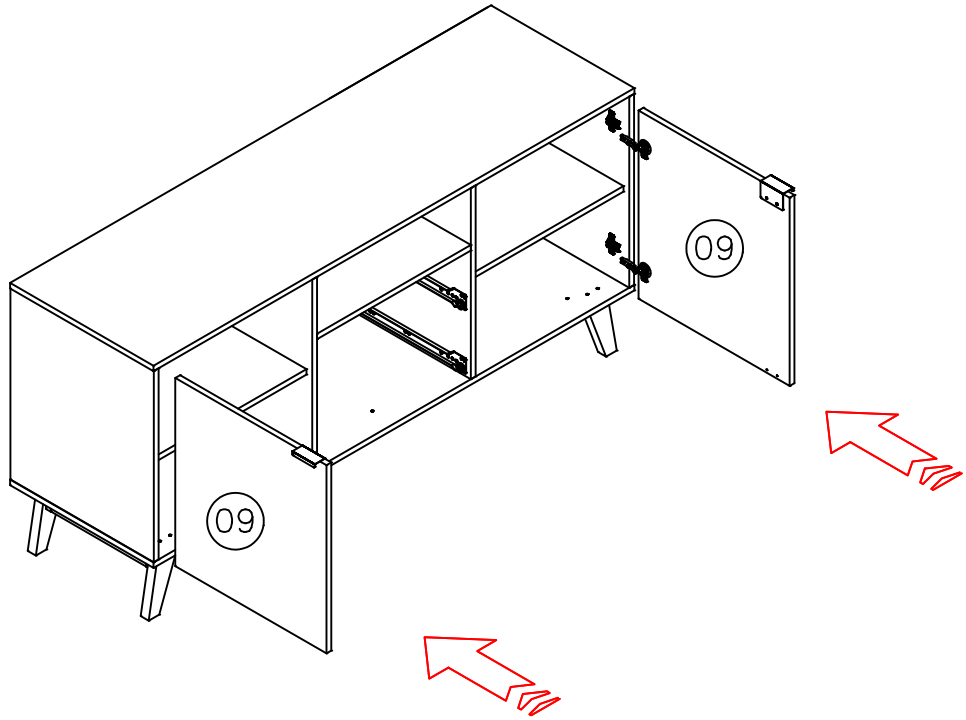
Note: It is essential to place the furniture strait/squared to avoid problems with the functioning and alignment of the Drawers and Doors.

3RD



After checking that the back panel is squared to the side and Top, nail the back panel in place.

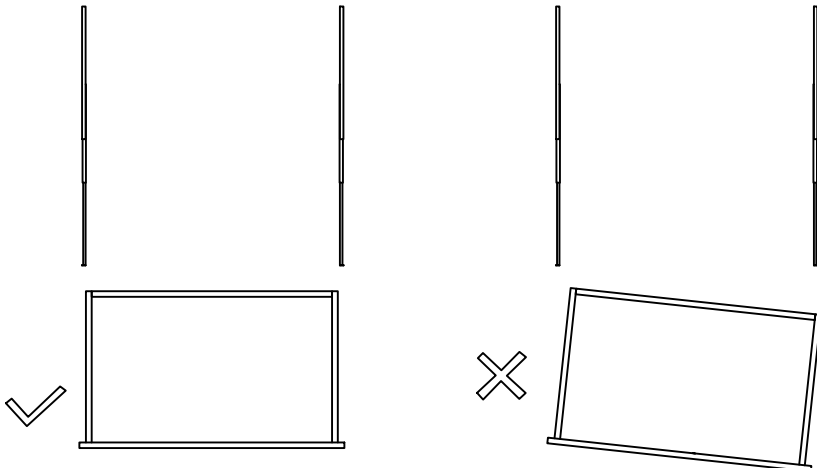
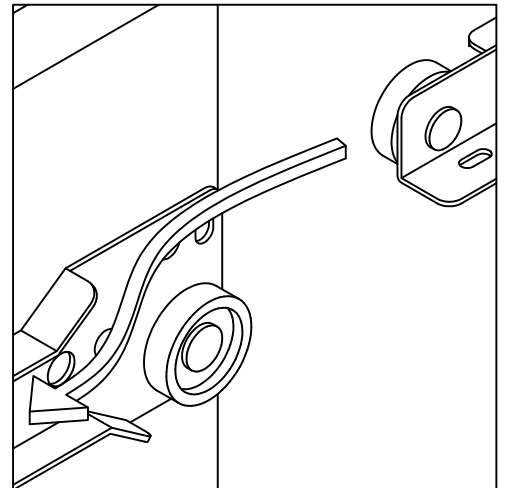
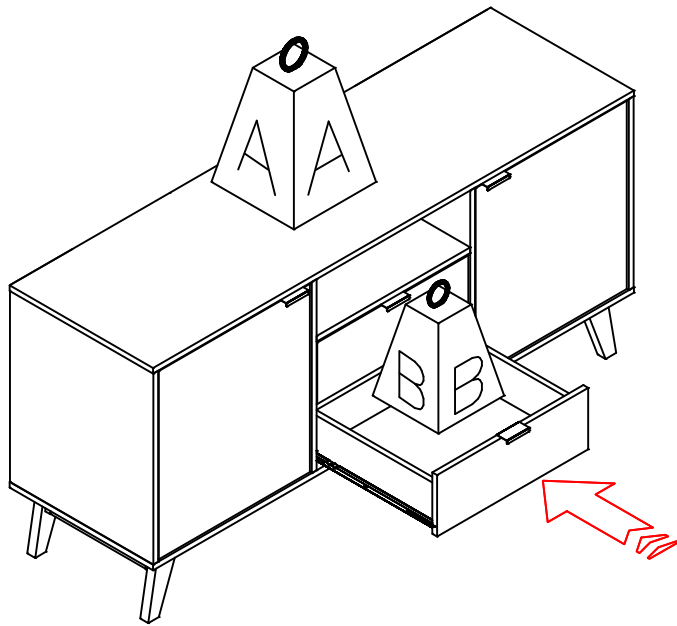






### Drawer installation

Insert the slide into the profile and close the drawer to finish locking the clip.

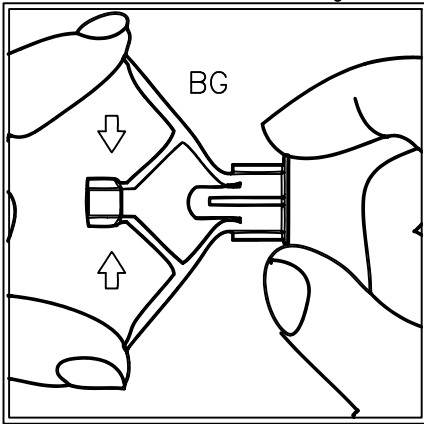


	Kg	lb
A	35	77.16lb
B	6	13.23lb

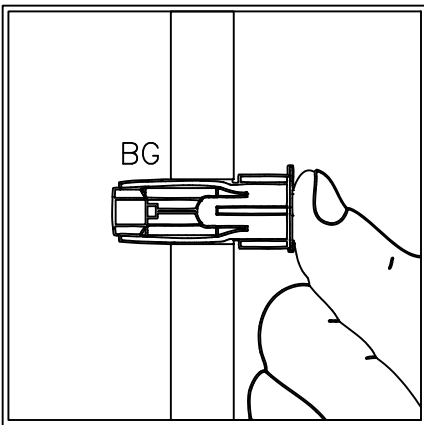
24

NOTE: Do not turn the DRYWALL ANCHOR into a wall stud. If you prefer to fasten the SAFETY ANTI-TIPPING to a wall stud, go to your local hardware store for proper hardware.

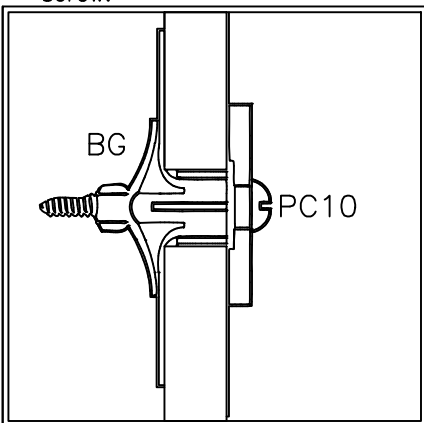
Compress the wings of anchor before inserting.



Insert the chuck into the hole of the base material.



Position the object over the bushing and secure it with a screw.



**A** WARNING – Anti-Tip Advisory

Potential of serious fatal crushing injuries may occur from furniture tip-over. To help prevent tip-over:

ALWAYS INSTALL the tip-over restrain that came with your furniture. This tip-over restrains only reduces but does NOT completely eliminate the risk of tip-over

- ALWAYS Place the heaviest items in the lowest/bottom drawer.
- NEVER place heavy objects on top of this product.
- NEVER allow children to scale/climb/hang on the drawers, doors, or shelves.
- NEVER open more than one drawer at a time.

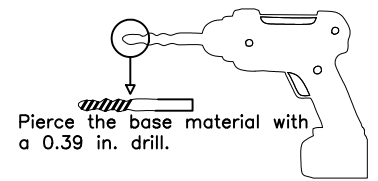
**B** ADVERTENCIA – Aviso antivuelco

Pueden producirse lesiones graves por aplastamiento mortales debido al vuelco de los muebles. Para ayudar a prevenir vuelcos:

- SIEMPRE INSTALE el sistema de retención que viene con sus muebles. Este sistema antivuelco solo reduce pero NO elimina por completo el riesgo de vuelco.
- SIEMPRE coloque los artículos más pesados en el cajón más bajo /inferior.
- NUNCA coloque objetos pesados encima de este producto.
- NUNCA permita que los niños escalen, trepen o se cuelguen de los cajones, puertas o estantes.
- NUNCA abra más de un cajón a la vez

Anti-tipping installation

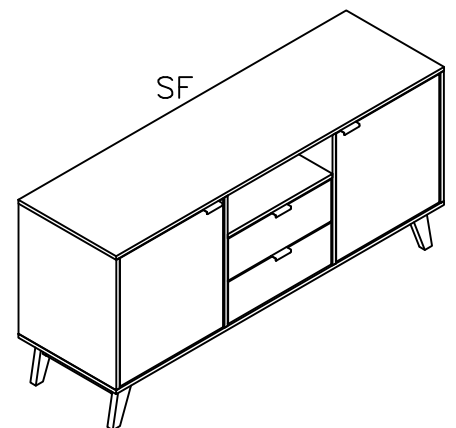
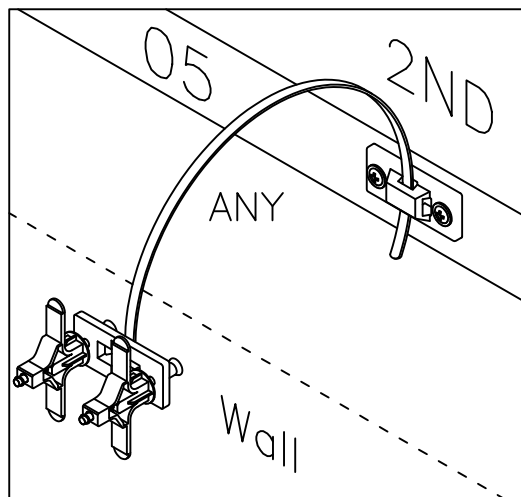
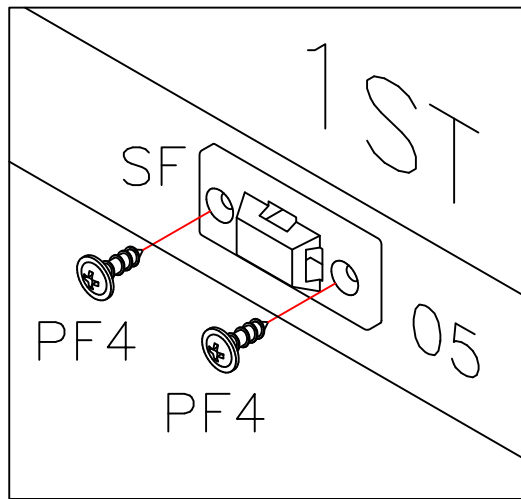
SF		Mounting bracket	2
ANY		Clamp	1
PC10		Screw 4,5x50	2
PF4		Screw 3,5x16 BC	2
BG		Anchor	2

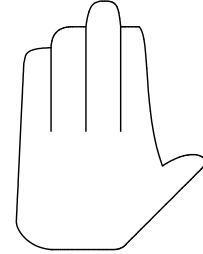
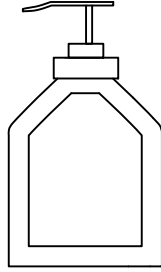
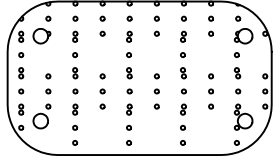


Pierce the base material with a 0.39 in. drill.

Important

- The minimum length of the screw must be the bushing length + object thickness that will be fixed.
- To guarantee the wing expansion function of the bushing, after the screw head is at the object to be fixed, one must continue to rotate the screw until maximum torque is reached.





To Remove the printed number, apply a small amount of Glass Cleaner or Hand sanitizer and wipe with a paper towel.

