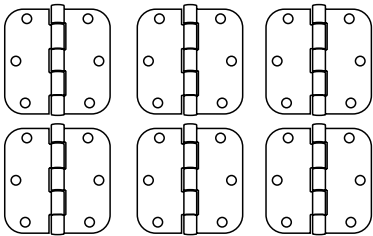
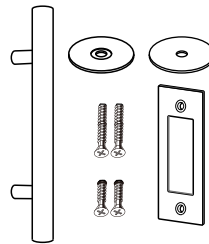


Installation Guide

What's included



Hing x6



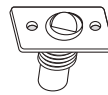
Door Handle x2



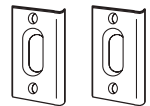
Fixed Door Fixator x1



Screw x36



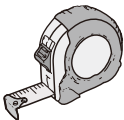
Door Ball Catch Hardware x1



Strike Plate x2

Tools Required

Tape Measure



Phillips Screwdriver



Pencil



Chisel



Drill

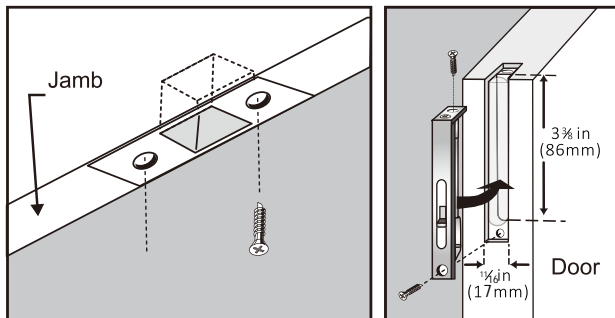


13/16 Spade Drill Bit

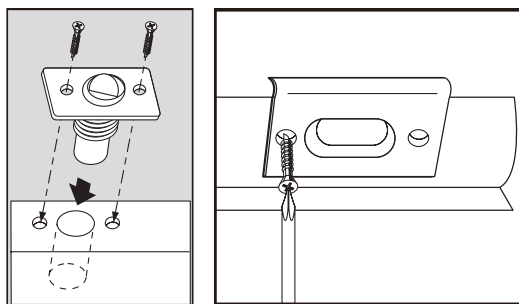


Step ① Install the fixed door fixator

1. Mortise the inactive door and use professional tools to cut slots.
2. Install flush bolt housing in the door edge using provided screws.
3. If using at the top of door: adjust bolt to be flush with the top of the door when retracted. If using at the bottom of door: adjust bolt to project when retracted.
4. Install strike.
5. Hang door.

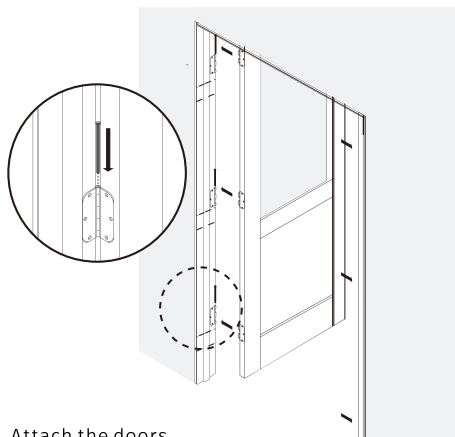


Step ② Install the Ball Catch



1. Mark center and screw locations for catch.
2. Drill 5/64" pilot holes for screws.
3. Drill a 3/4" pilot hole 1 1/16" deep for catch.
4. Install and tighten screws.
5. Mark center and screw locations for strike.
6. Center area must be mortised.
7. Drill 5/64" pilot holes.
8. Install and tighten screws.

Step ③ Install the door



Attach the doors

Pro tip: A door is heavy, so we advise you to install the door jamb first and then attach the door for safety. It's easier to re-attach the door when half of the hinge has already been installed on the door.

Step ④ Install the door handle

