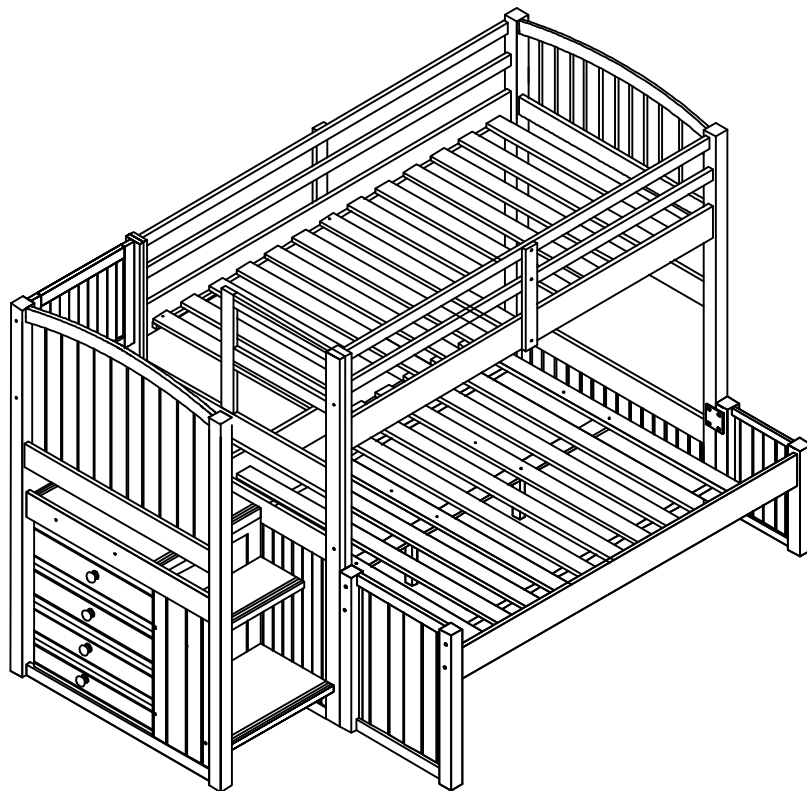


Assembly Instructions



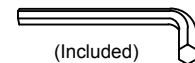
ASSEMBLY RATING

The Assembly Rating is a 5-point system that shows the degree of effort needed in assembling a specific product (with 1 being easy and 5 being difficult). For some products, two persons are recommended.

EASY  DIFFICULT

Tools Required For Assembly:

Allen Wrench



(Included)

Phillips Screwdriver



(Not Included)

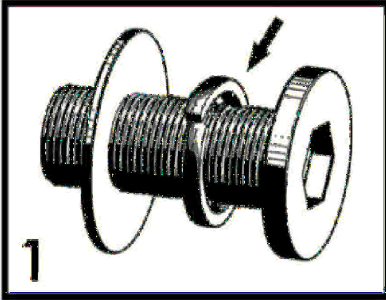


2 PERSONS RECOMMENDED

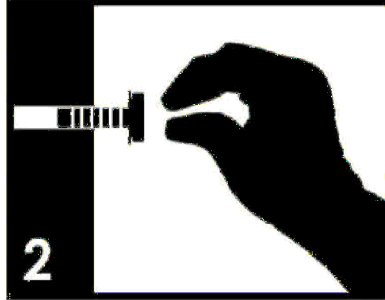
ASSEMBLY & CARE ADVICE

FOR YOUR FURNITURE TO LAST, CORRECT ASSEMBLY AND PROPER MAINTENANCE ARE NECESSARY. PLEASE FOLLOW THE INFORMATION PROVIDED BELOW TO FULLY ENJOY YOUR FURNITURE.

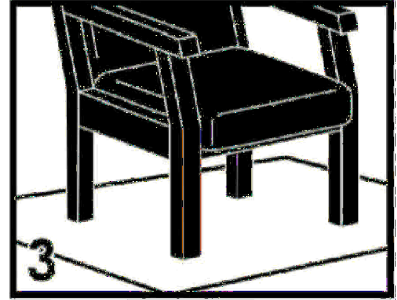
BASIC ASSEMBLY TECHNIQUES



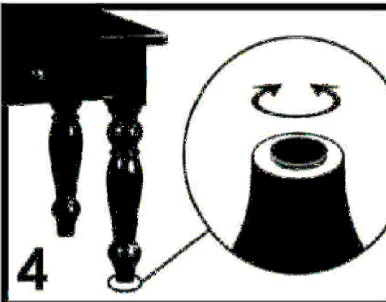
1
When lock or spring washer is used in an assembly, please make sure the lock or spring washer is placed between the larger flat washer and the head of the screw or bolt.



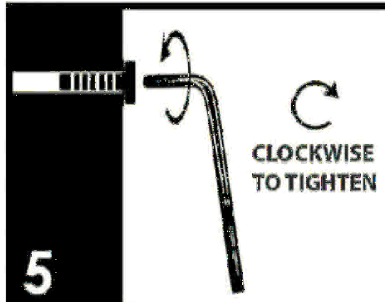
2
Position each part correctly and insert screws or bolts into their respective holes by hand tighten or using the proper hand tool. Only tighten when step is completed or when instructed to do so.



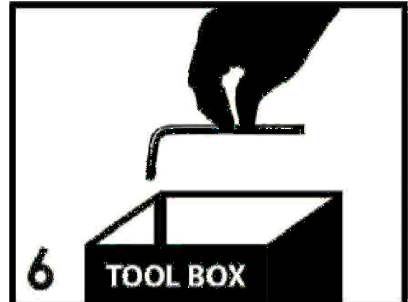
3
Use cardboard or carpet area when assembling furniture to prevent scratches. Make sure the furniture rests on a flat and level surface with each leg evenly touching the floor.



4
Some furniture comes with height adjustment knobs underneath each leg. To lower or to raise each leg, you need to turn clockwise or counterclockwise, respectively.



5
Make sure all parts are properly aligned, then use the appropriate hand tool to completely tighten the bolts or screws. Do not use power tools and do not overtighten.

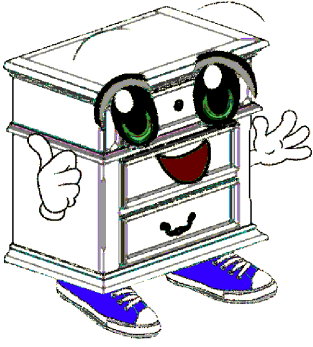


6
Save the instructions and store the Allen wrench or any supplied tool for later maintenance. After two weeks, check and tighten any loose hardware and repeat again every six months thereafter.

IT IS THE USER'S RESPONSIBILITY TO MAINTAIN THE FURNITURE. THE HARDWARE MAY LOOSEN OVER TIME AND MAY CAUSE THE FURNITURE TO BE WOBBLY AND UNABLE TO SUPPORT ITS INTENDED WEIGHT CAPACITY. THIS MAY LEAD TO COLLAPSE AND MAY CAUSE SERIOUS INJURY.







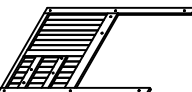
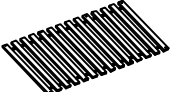
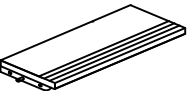

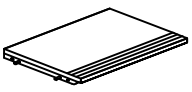
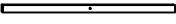
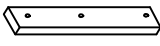
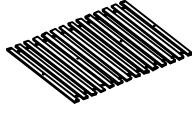
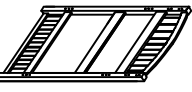

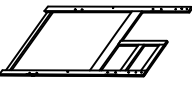

FAILURE TO FOLLOW THE GUIDELINES ABOVE MAY RESULT IN INJURY AND/OR PROPERTY DAMAGE.



Before you begin, please read Page 2 of "Assembly and Care Advice".

And remember, do not tighten until each step is completed or instructed.

Parts List

	#1 x 1pc 4 Drawers chest		#9 x 2pcs Lower bed rail
	#2 x 1pc Left side panel		#10 x 2pcs Upper bed rail
	#3 x 1pc Right side panel		#11 x 1set Slats
	#4 x 1pc Small rung		#12 x 1pc Back panel
	#5 x 1pc Large rung		#13 x 4pcs Guardrail
	#6 x 2pcs Support bar		#14 x 1set Slats
	#7 x 1pc Right headboard		#15 x 1pc Extension panel
	#8 x 1pc Left headboard		#16 x 1pc Extension panel

Parts List

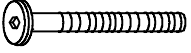


#17 x 2pcs
Support leg



#18 x 1pc
Center support rail

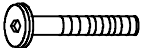
Hardware List



#A x 10pcs
Bolt $\text{\O}1/4$ "x3-1/8"



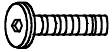
#J x 4pcs
Knob



#B x 6pcs
Bolt $\text{\O}1/4$ "x2-3/8"



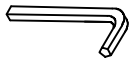
#K x 20pcs
Barrel Nut $\text{\O}1/4$ "



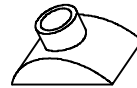
#C x 12pcs
Bolt $\text{\O}1/4$ "x1-3/16"



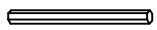
#L x 16pcs
Wood Dowel $\text{\O}3/8$ "x1-9/16"



#D x 3pcs
Allen Wrench M4



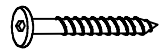
#M x 16pcs
Rail Bracket $\text{\O}1/4$ "



#E x 1pc
Straight Allen Key



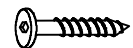
#N x 16pcs
Screw $5/32$ "x1-3/16"



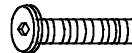
#F x 8pcs
Screw $\text{\O}1/4$ "x2-9/16"



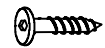
#O x 2pcs
Bracket Plate



#G x 8pcs
Screw $\text{\O}1/4$ "x1-3/4"



#P x 6pcs
Bolt $\text{\O}1/4$ "x1-3/8"



#H x 8pcs
Screw $\text{\O}1/4$ "x1-3/8"



#Q x 2pcs
Bolt $\text{\O}1/4$ "x5/8"

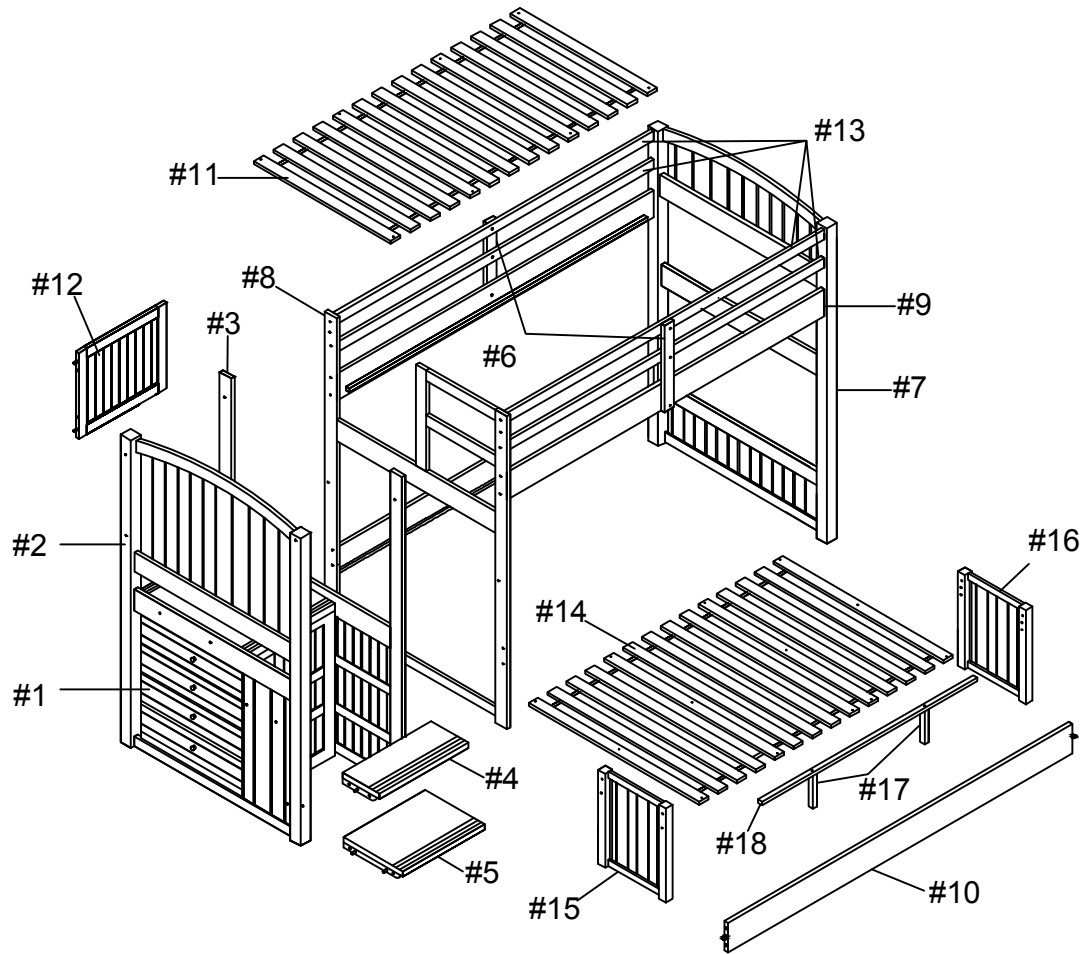


#I x 4pcs
Bolt $\text{\O}5/32$ "x1"



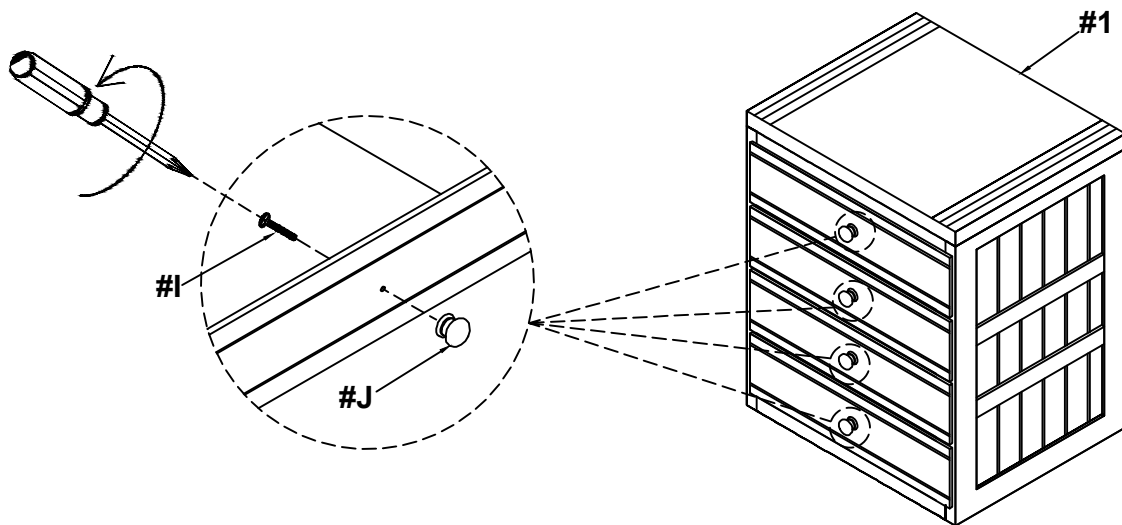
#R x 4pcs
Bolt $\text{\O}1/4$ "x1-3/16"

Exploded View



Secure knobs (#J) to the holes of the drawers by using bolts (#I).

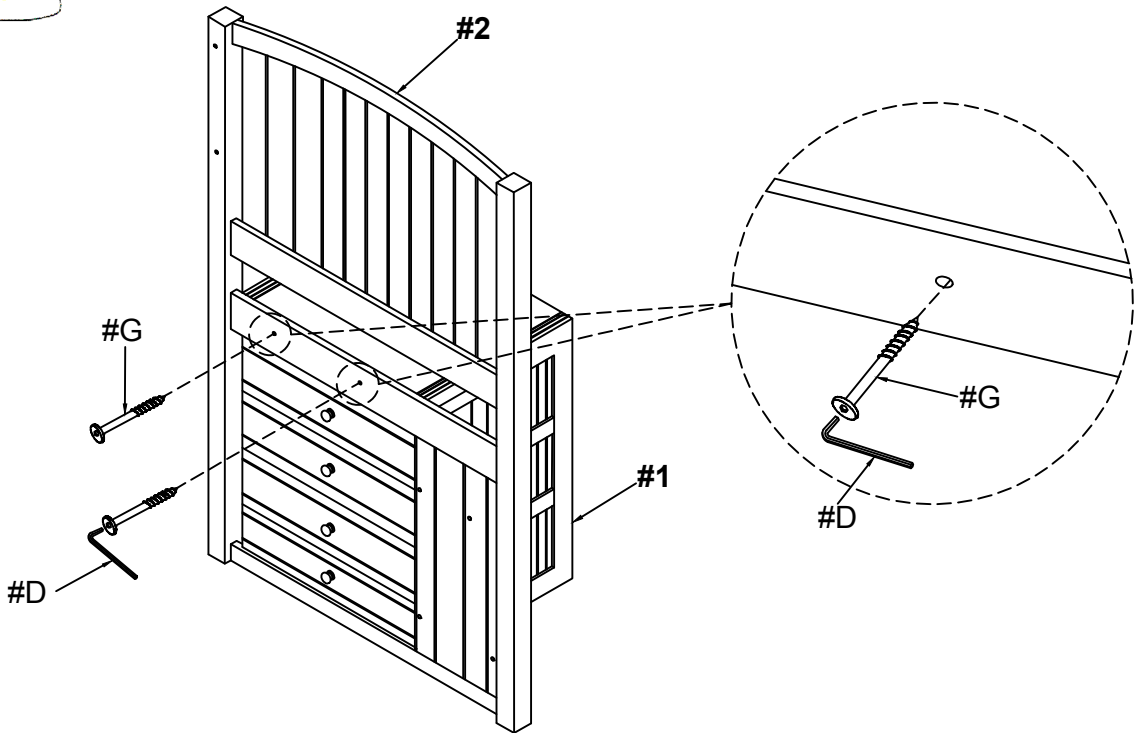
#I x 4pcs
#J x 4pcs





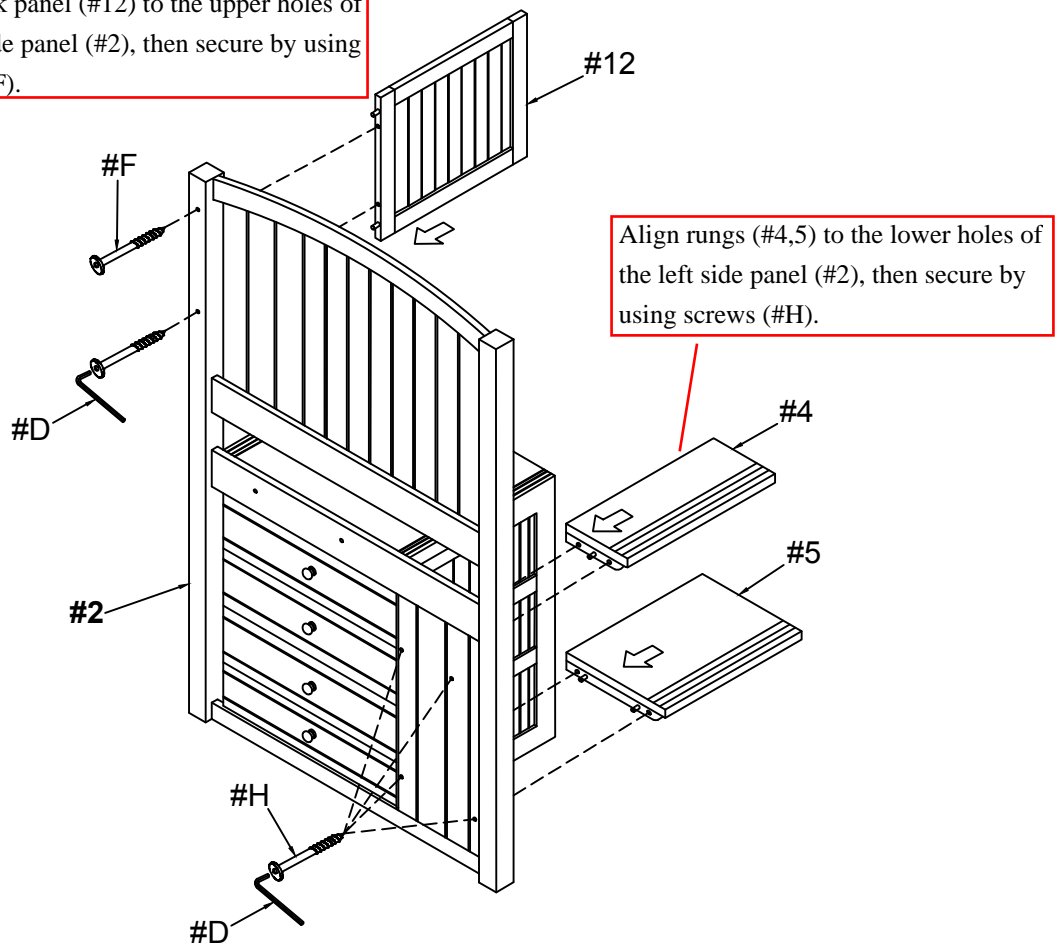
Align drawers chest (#1) to the holes of the left side panel (#2), then secure by using screws (#G).

#G x 2pcs



Align back panel (#12) to the upper holes of the left side panel (#2), then secure by using screws (#F).

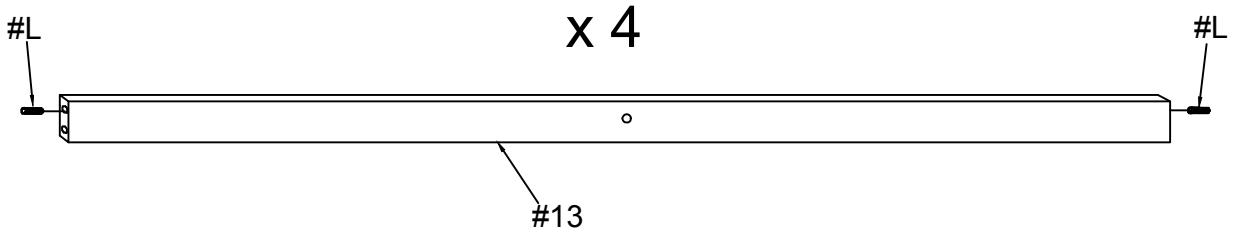
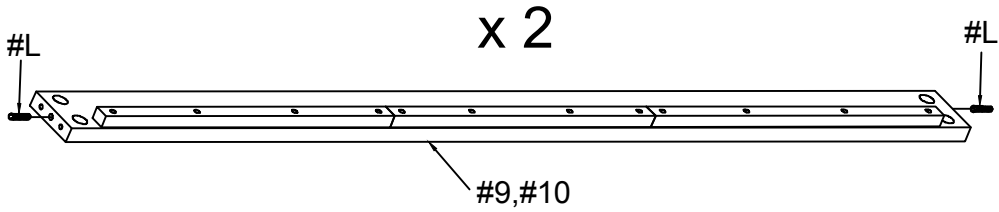
#F x 2pcs
#H x 4pcs





Attach dowels (#L) to the holes of the side rails (#9,10,13).

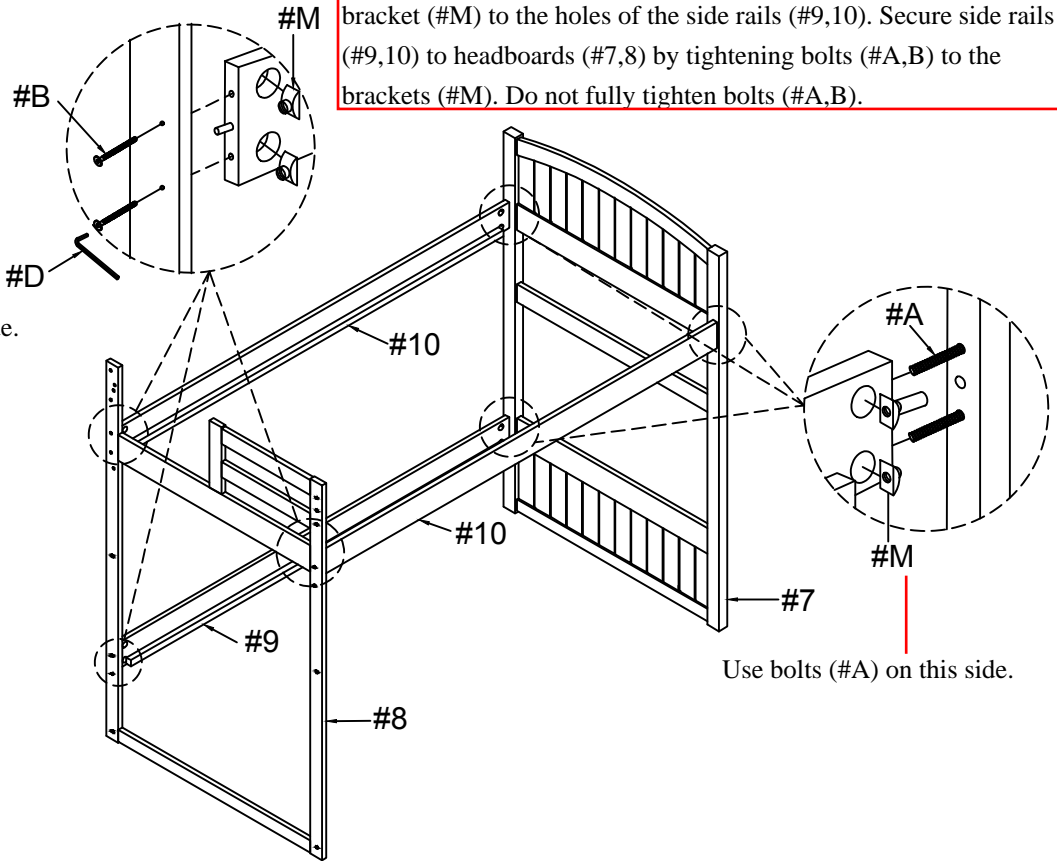
#L x 16pcs



Align side rails (#9,10) to the holes of the headboards (#7,8). Insert bracket (#M) to the holes of the side rails (#9,10). Secure side rails (#9,10) to headboards (#7,8) by tightening bolts (#A,B) to the brackets (#M). Do not fully tighten bolts (#A,B).

#A x 6pcs
#B x 6pcs
#M x 12pcs

Use bolts (#B) on this side.

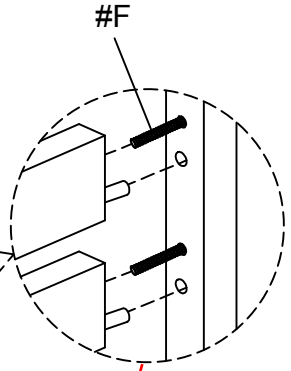
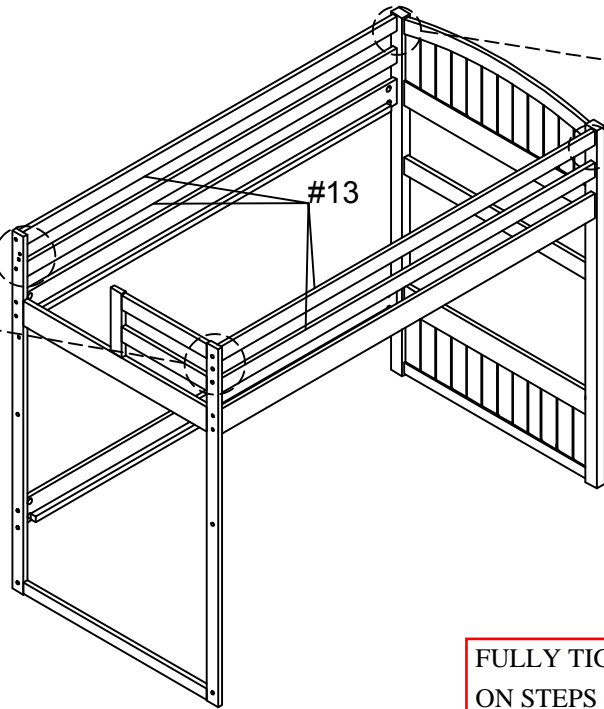
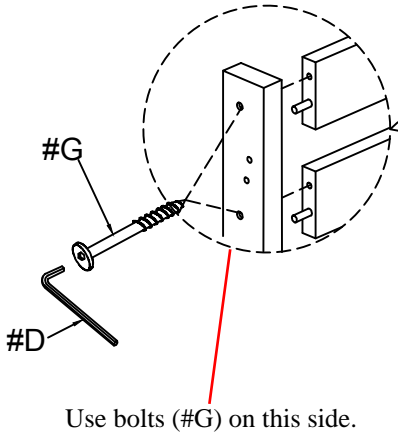


Use bolts (#A) on this side.



Align and attach rails (#13) to the holes of the headboards (#7,8).
 {If you are having a tough time fitting rails (#13), then loosen bolts (#A,B) from steps #5.} Secure rails (#13) by using bolts (#G,F).

#F x 4pcs
 #G x 4pcs

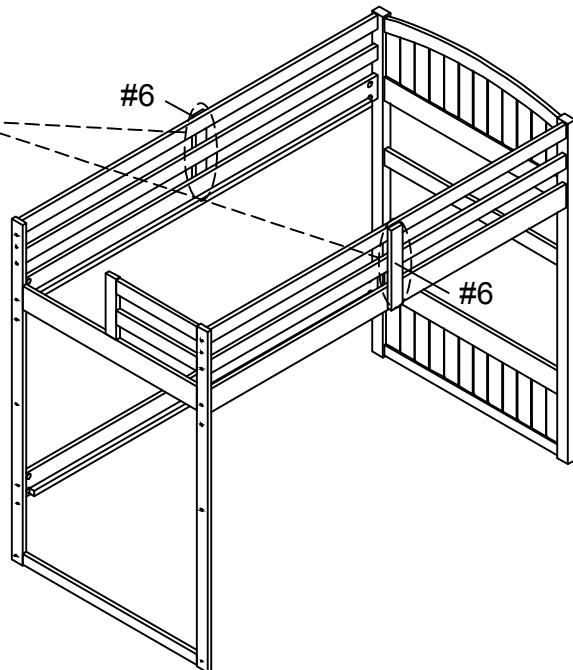
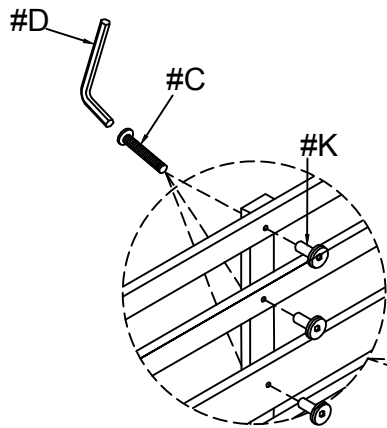


**FULLY TIGHTEN ALL BOLTS
 ON STEPS #5 and #6.**



Align support bars (#6) to the holes of the rails (#13), then secure by tightening bolts (#C) to nuts (#K).

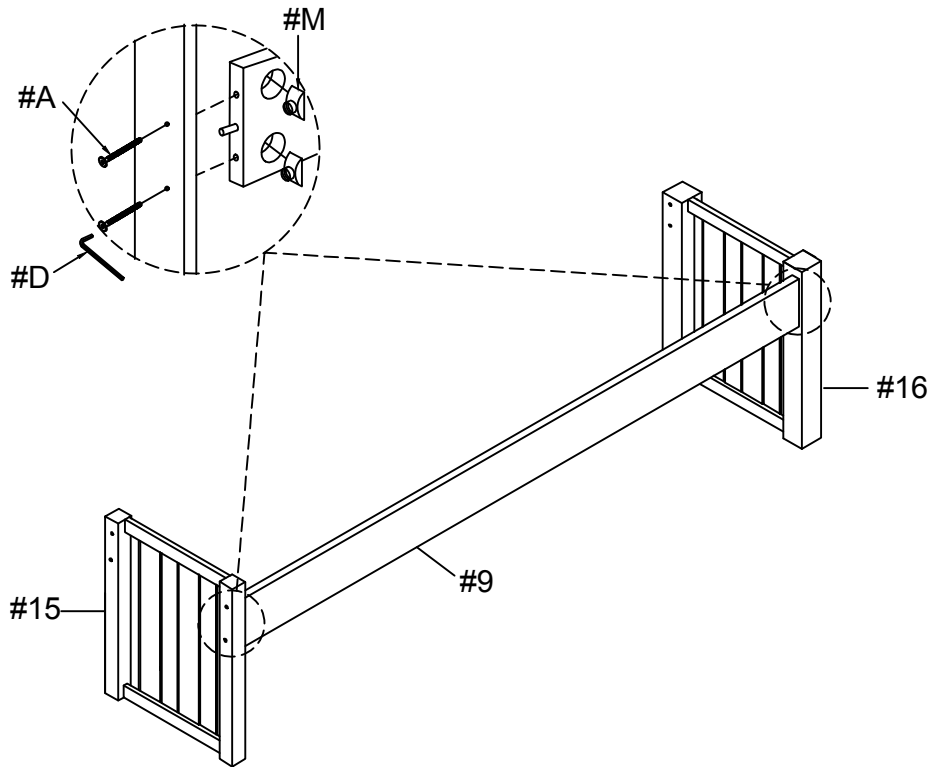
#C x 6pcs
 #K x 6pcs





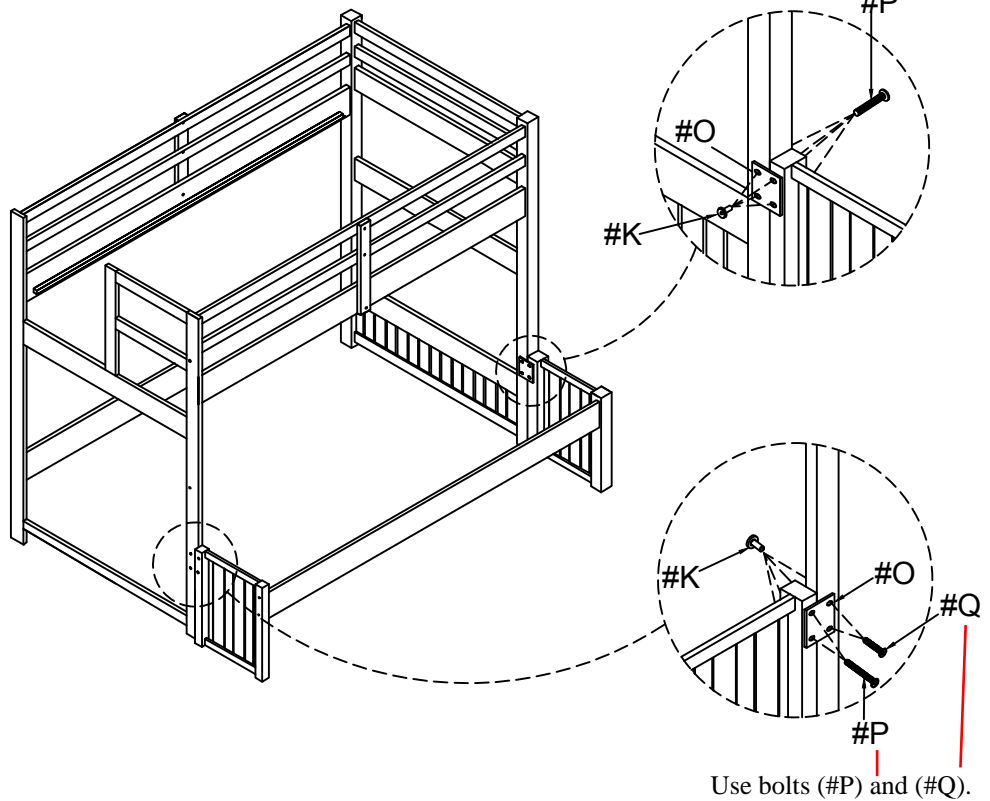
Align lower bed rail (#9) to the holes of the extension panel (#15,16), then insert brackets (#M) into the lower bed rail (#9). Secure by tightening bolts (#A) onto brackets (#M).

#A x 4pcs
#M x 4pcs



Align extension panels to the bunk bed, then align bracket plates (#O) to the holes of the extension panels and bunk bed. Secure by tightening bolts (#P,Q) to nuts (#K).

#K x 8pcs
#O x 2pcs
#P x 6pcs
#Q x 2pcs

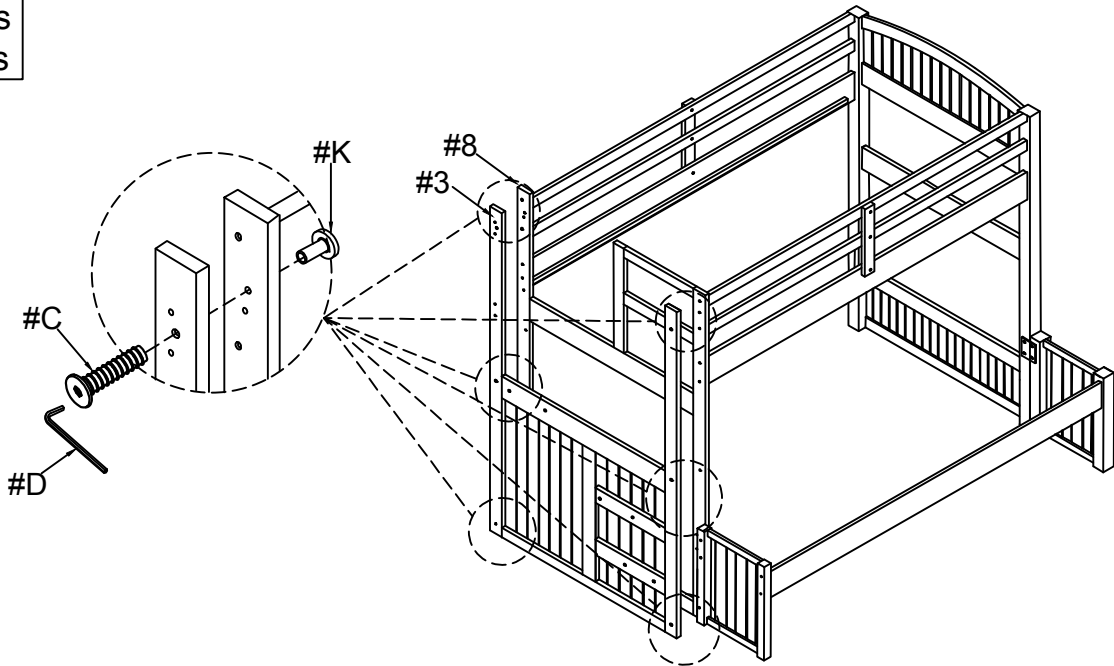


Use bolts (#P) and (#Q).



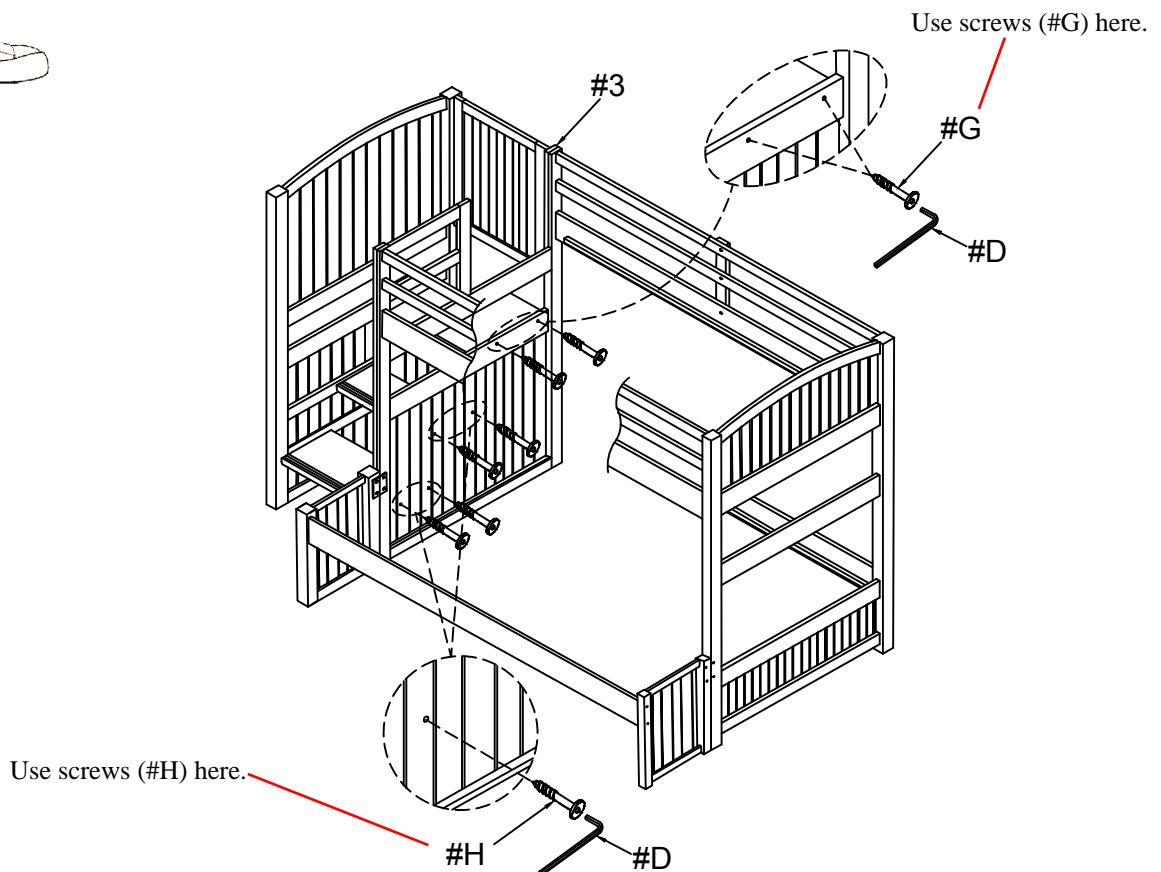
Align right side panel (#3) to the holes of the left headboard (#8), then secure by tightening bolts (#C) to nuts (#K).

#C x 6pcs
#K x 6pcs



Align stair case to the holes of the right side panel (#3), then secure by using screws (#G,H).

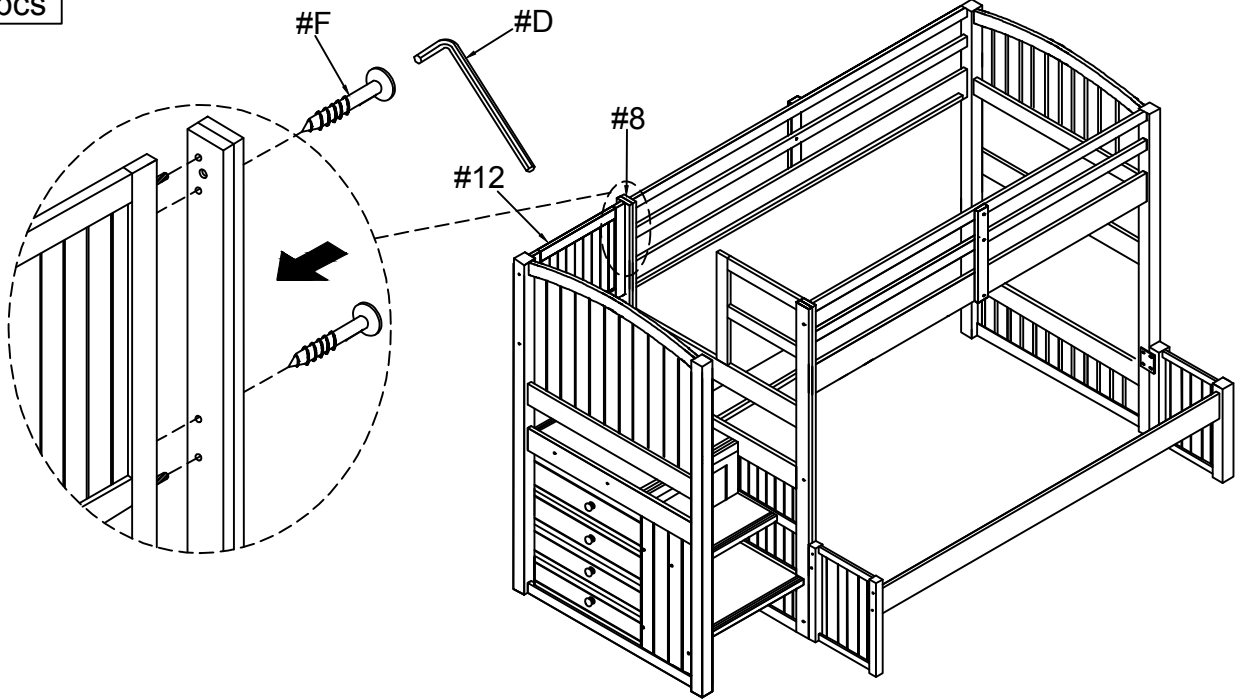
#G x 2pcs
#H x 4pcs



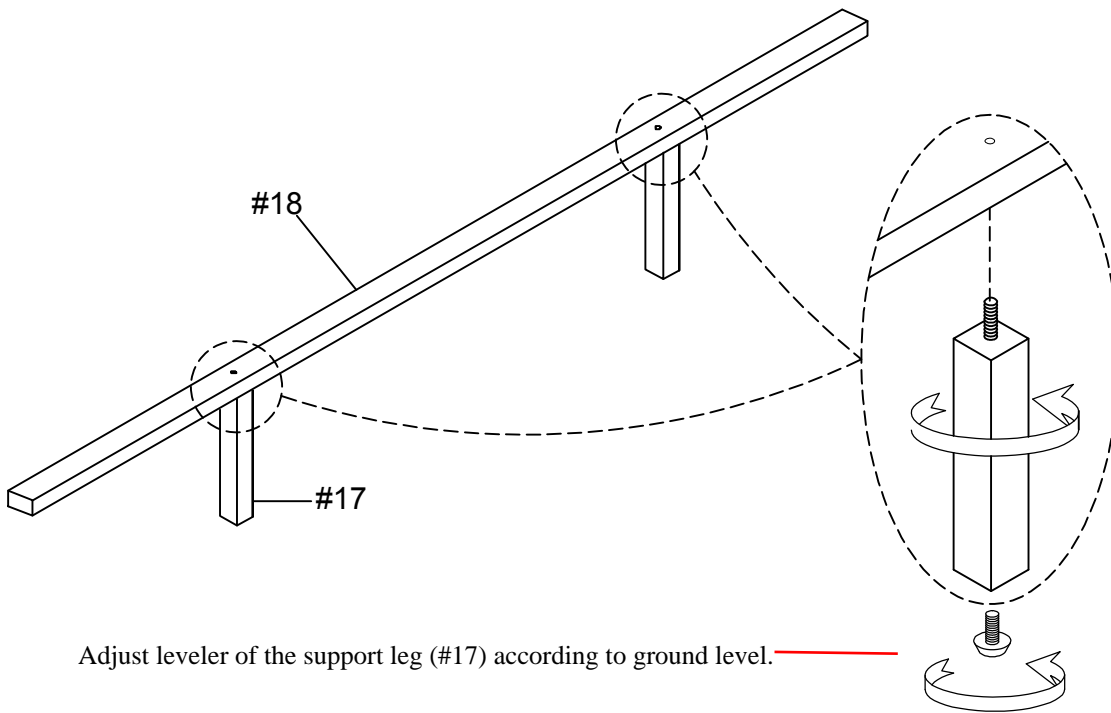


Secure upper holes of the left headboard (#8) to the stair case by using screws (#F).

#F x 2pcs



Align and attach support legs (#17) to the holes of the slats (#18).



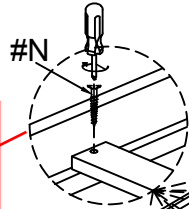
Adjust leveler of the support leg (#17) according to ground level.



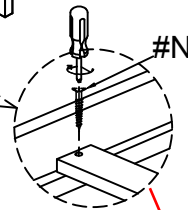
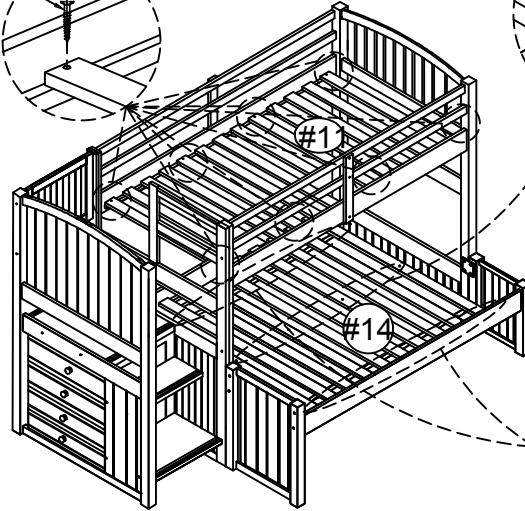
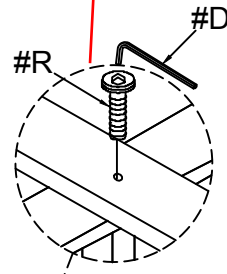
#14

#N x 16pcs
#R x 4pcs

1) Align upper slats (#11) to the upper bunk, then secure by using screws (#N).



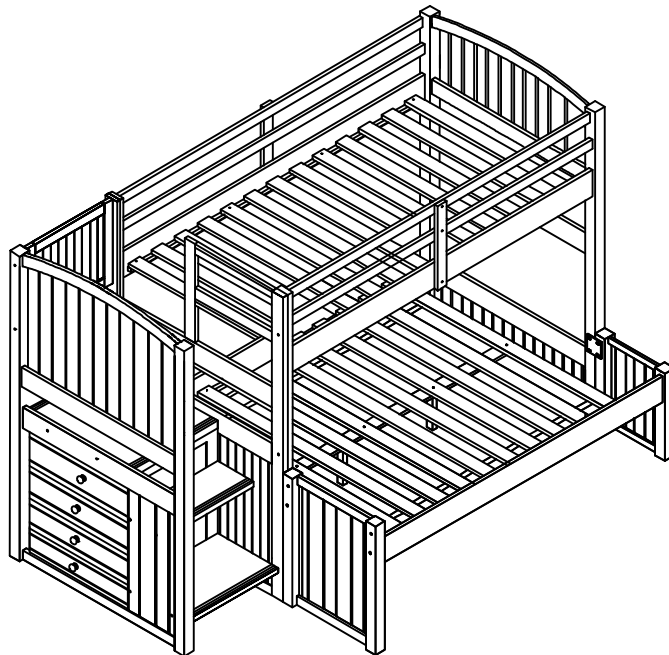
2) Extend and align lower slats (#14) to the holes of the center support slat (#18). Secure by using bolts (#D).



3) Align lower slats (#14) to the lower bunk, then secure by using screws (#N).



#15



ASSEMBLY IS COMPLETED

Safety Warnings for Bunk Beds

1. Read and follow the information on the WARNINGS shown on the end structure of the upper bunk and on the carton.
2. Do not remove warning label from the bed.
3. Keep these instructions for future reference.
4. **IMPORTANT: Must use Bunkie mattress or Bunkie board.** The proper sizes for the **UPPER/LOWER TWIN-SIZE** Bunkie mattress or Bunkie board should be 75" long and 38½" wide with no more than 6" thickness and for the **UPPER/LOWER FULL-SIZE** should be 75" long and 54" wide with no more than 6" thickness.
5. Surface of mattress must be at least 5 inches (127 mm) **BELOW** the upper edge of guardrails.
6. The **MAXIMUM** weight capacity for the upper bunk is not to exceed 175 lbs.
7. Do not allow children under 6 years of age to use the upper bunk.
8. Periodically check and ensure that the guardrails, ladder, handle and other components are in their proper position, free from damage, and that all connectors are tightened and secured.
9. **DO NOT** allow horseplay, rough playing or jumping on the beds and do not allow playing or hiding under the beds.
10. Always use the ladder for entering or leaving the upper bunk.
11. Do not use substitute parts. Contact the manufacturer or dealer for replacement parts.
12. Use of a nightlight may provide added safety precaution for a person using the upper bunk.
13. Always use the guardrails on both sides of the upper bunk.
14. If the bunk bed will be placed next to a wall, the guardrail that runs the full length of the bed should be placed against the wall to prevent entrapment between the bed and the wall.
15. The use of water or sleep flotation mattresses is prohibited.
16. No more than one person is allowed on the upper bunk at all times.



WARNING: STRANGULATION HAZARD

Never attach or hang objects to any part of the bunk bed that are not designed for use with the bed. Objects such as hanger, hook, belt, bag, rope, string, etc. should not be used on or around the bunk bed.