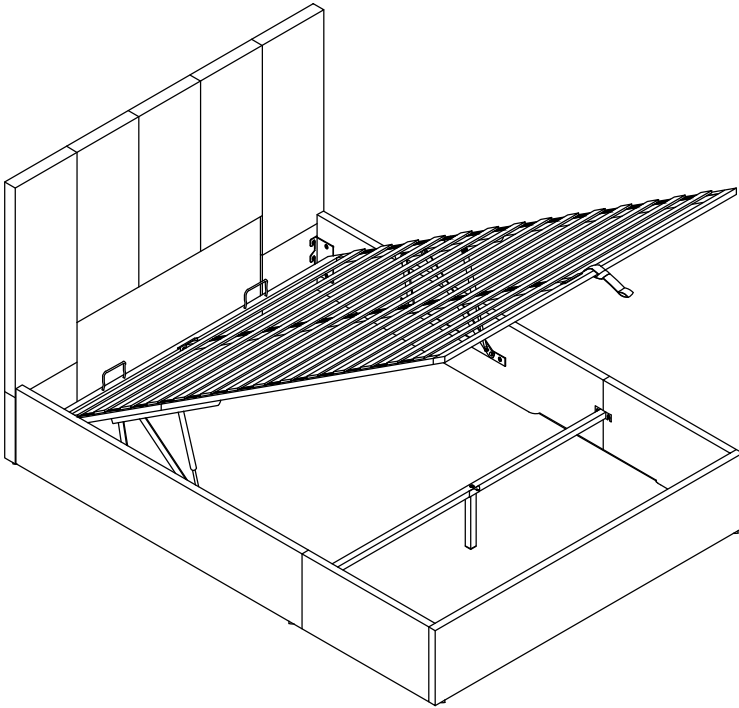


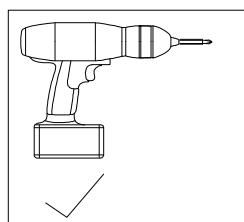
ASSEMBLY INSTRUCTION



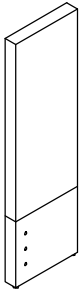
Please **TEAR OFF** this shrink film from side!
DO NOT USE CUTTER!

IMPORTANT NOTE

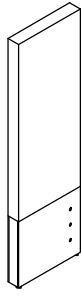
1. FOR THE PROTECTION OF YOUR FURNITURE, PLACE ALL PARTS ON A CLEAN AND SMOOTH SURFACE TO PREVENT ANY DAMAGE.
2. DO NOT USE POWER TOOLS TO ASSEMBLE THE BED.
3. PLEASE PERIODICALLY CHECK ALL FITTINGS AND RE-TIGHTEN AS NECESSARY.
4. DO NOT USE THE BED UNLESS ALL BOLTS AND SCREWS ARE FIRMLY SECURED.
5. NEED PARTS OR ASSISTANCE? EMAIL US AT support@velocavabed.com
6. YOU CAN ASSEMBLE IT WITH OUR PACKAGING TOOLS OR WITH A.



PART LIST



1 x 1pc



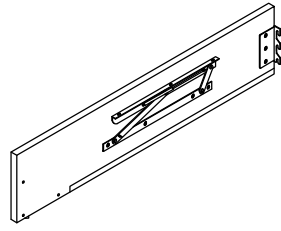
2 x 1pc



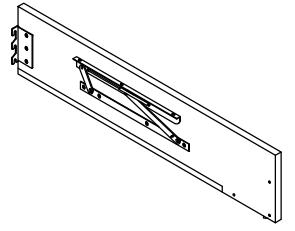
3 x 3pcs



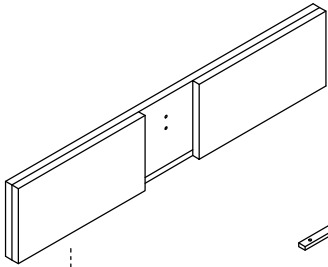
4 x 2pcs



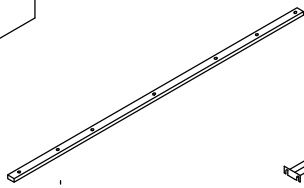
5 x 1pc



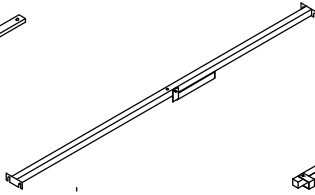
6 x 1pc



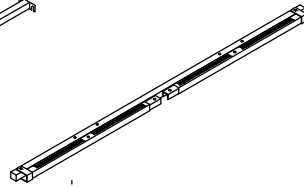
7 x 1pc



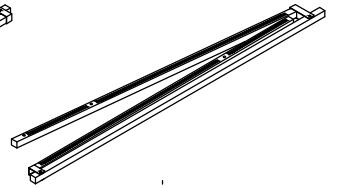
8 x 2pcs



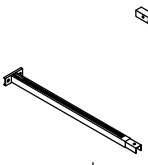
9 x 1pc



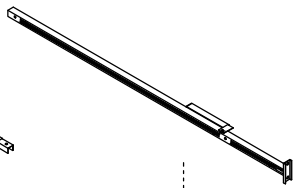
10 x 1pc



11 x 1pc



12 x 1pc



13 x 1pc



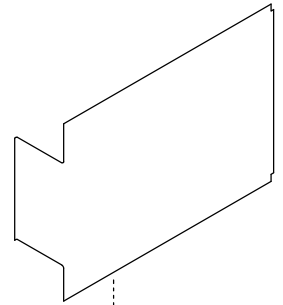
14 x 2pcs



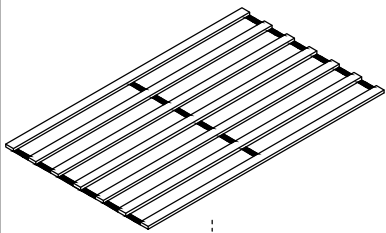
15 x 2pcs



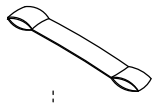
16 x 1pc



17 x 1pc



18 x 2pcs



19 x 1pc

HARDWARE LIST



H1 M5 x 1pc



H2 M8x25mm x 13pcs



H3 M8x35mm x 28pcs



H4 M8x60mm x 2pcs



H5 M8 x 43pcs



H6 M8x17mm x 51pcs



H7 M8 x 6pcs

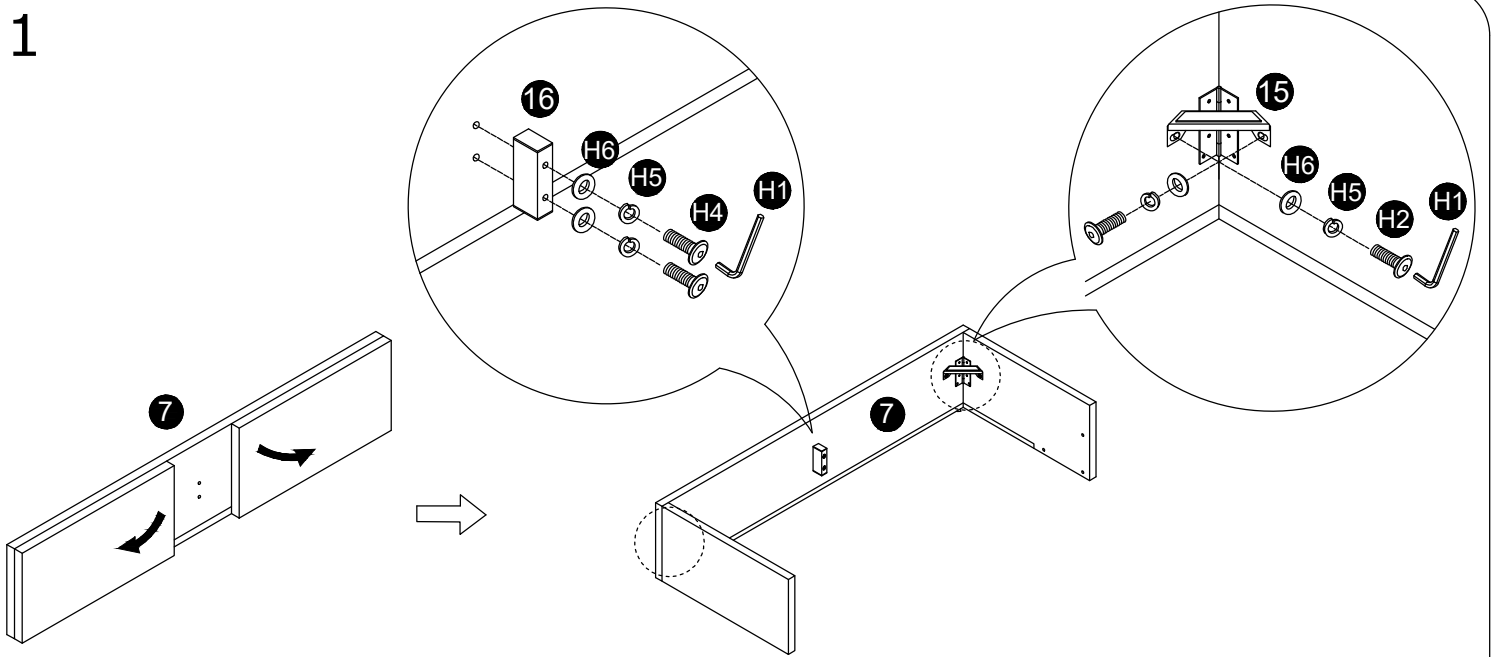


H8 M14 x 1pc



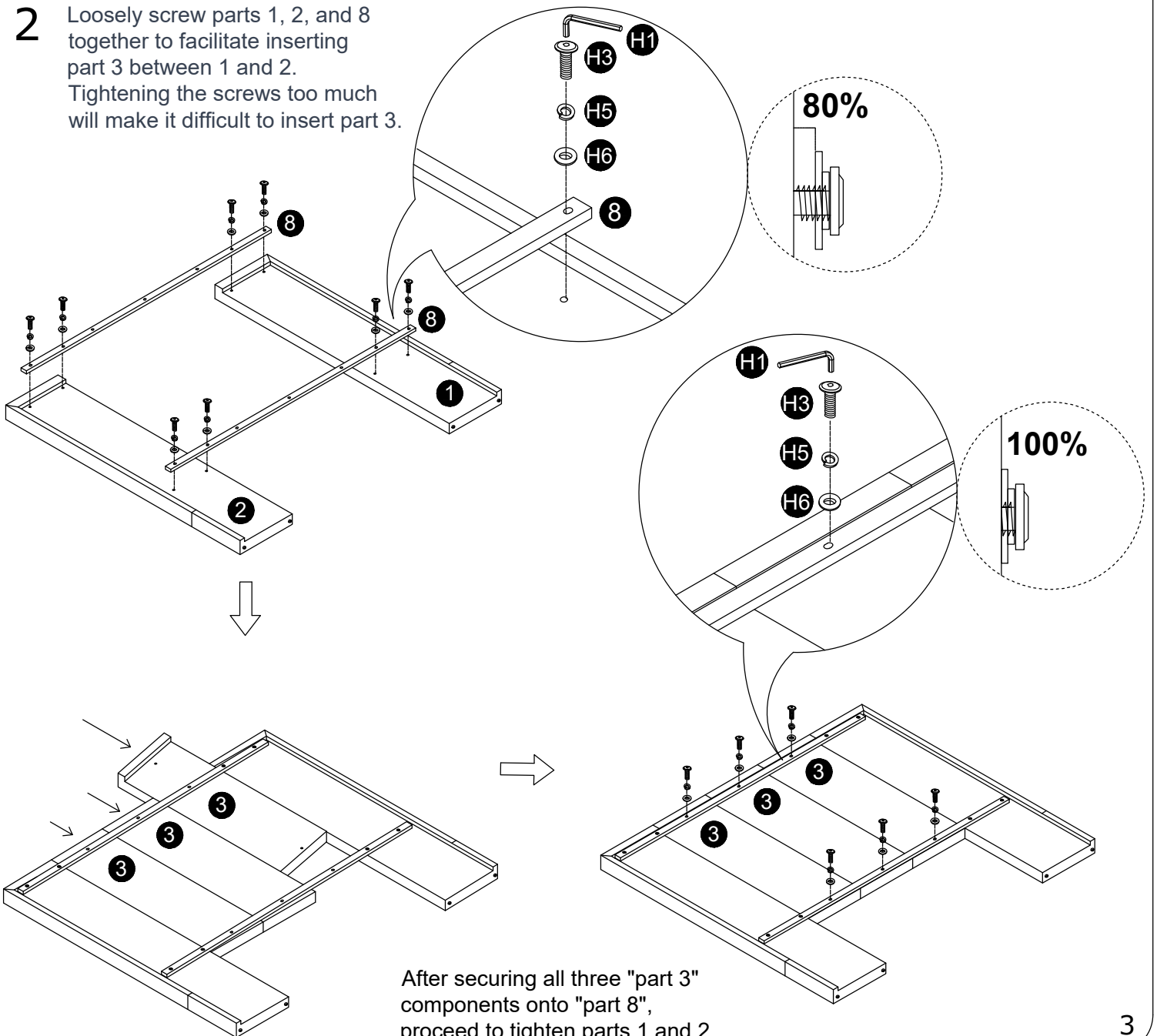
H9 M8x45mm x 8pcs

1

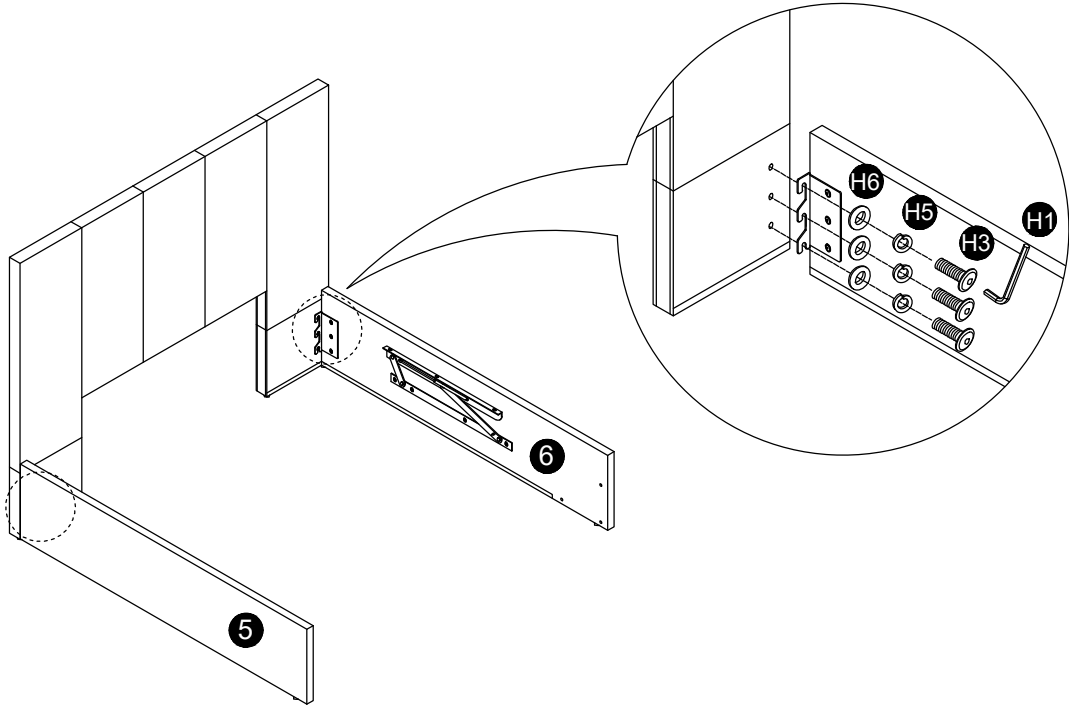


2

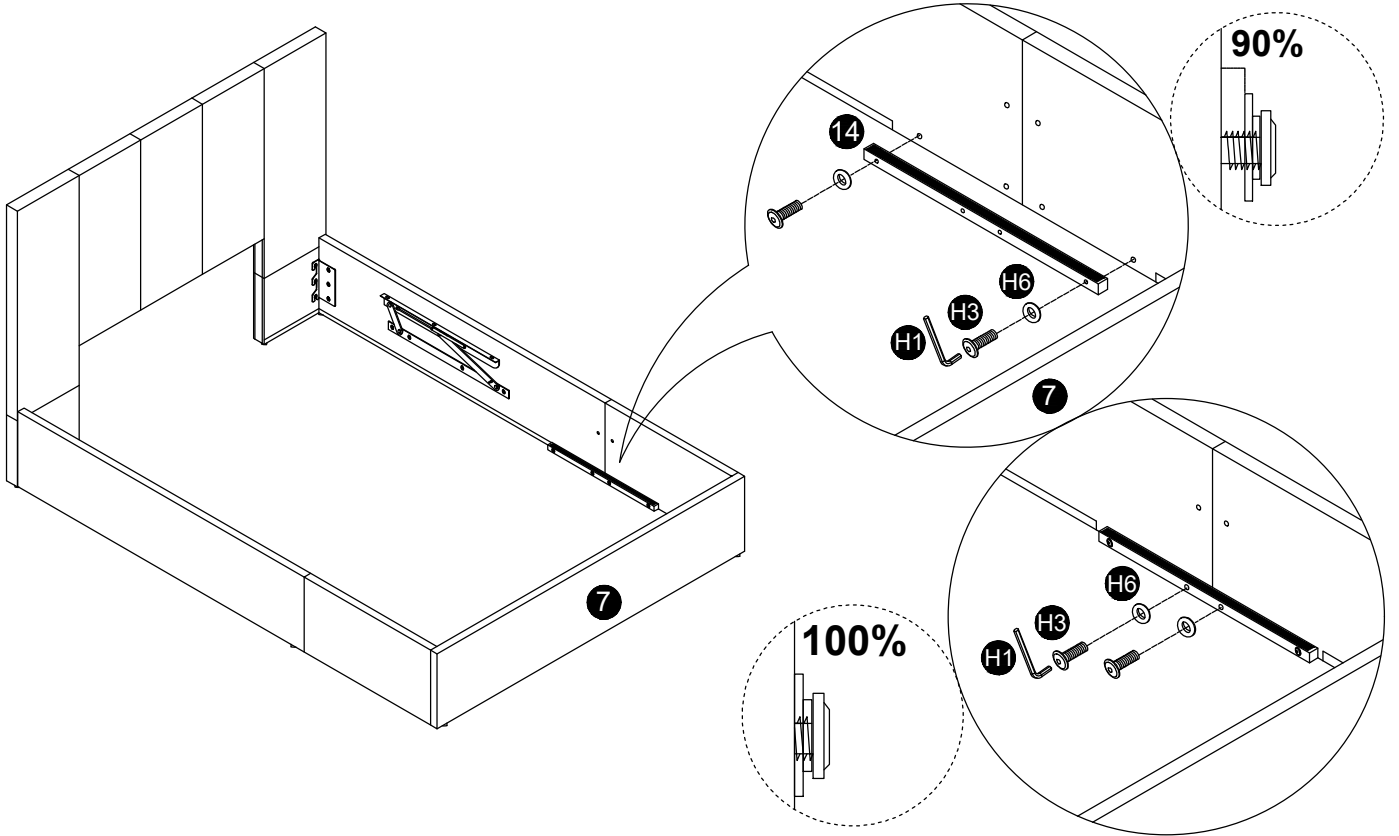
Loosely screw parts 1, 2, and 8 together to facilitate inserting part 3 between 1 and 2. Tightening the screws too much will make it difficult to insert part 3.



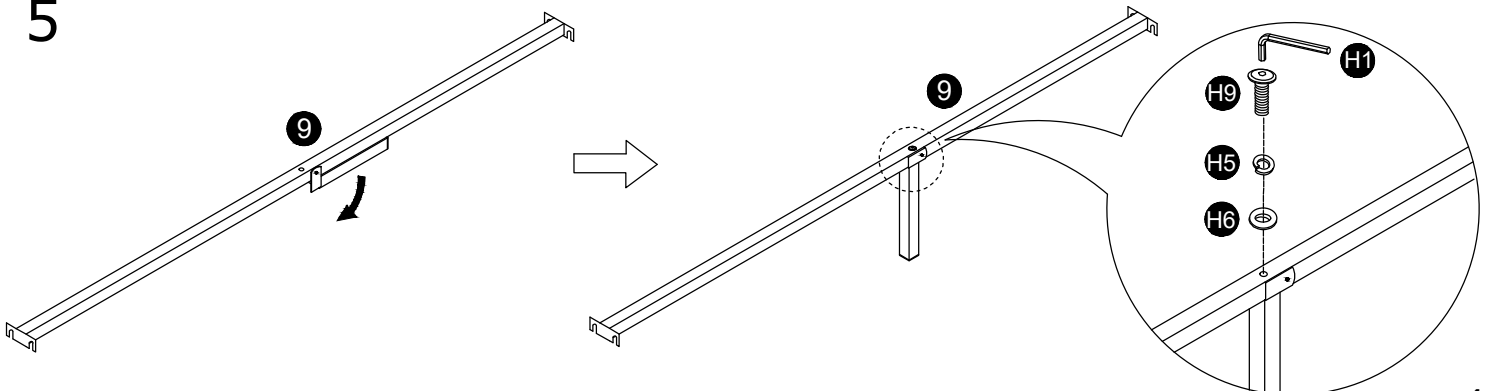
3



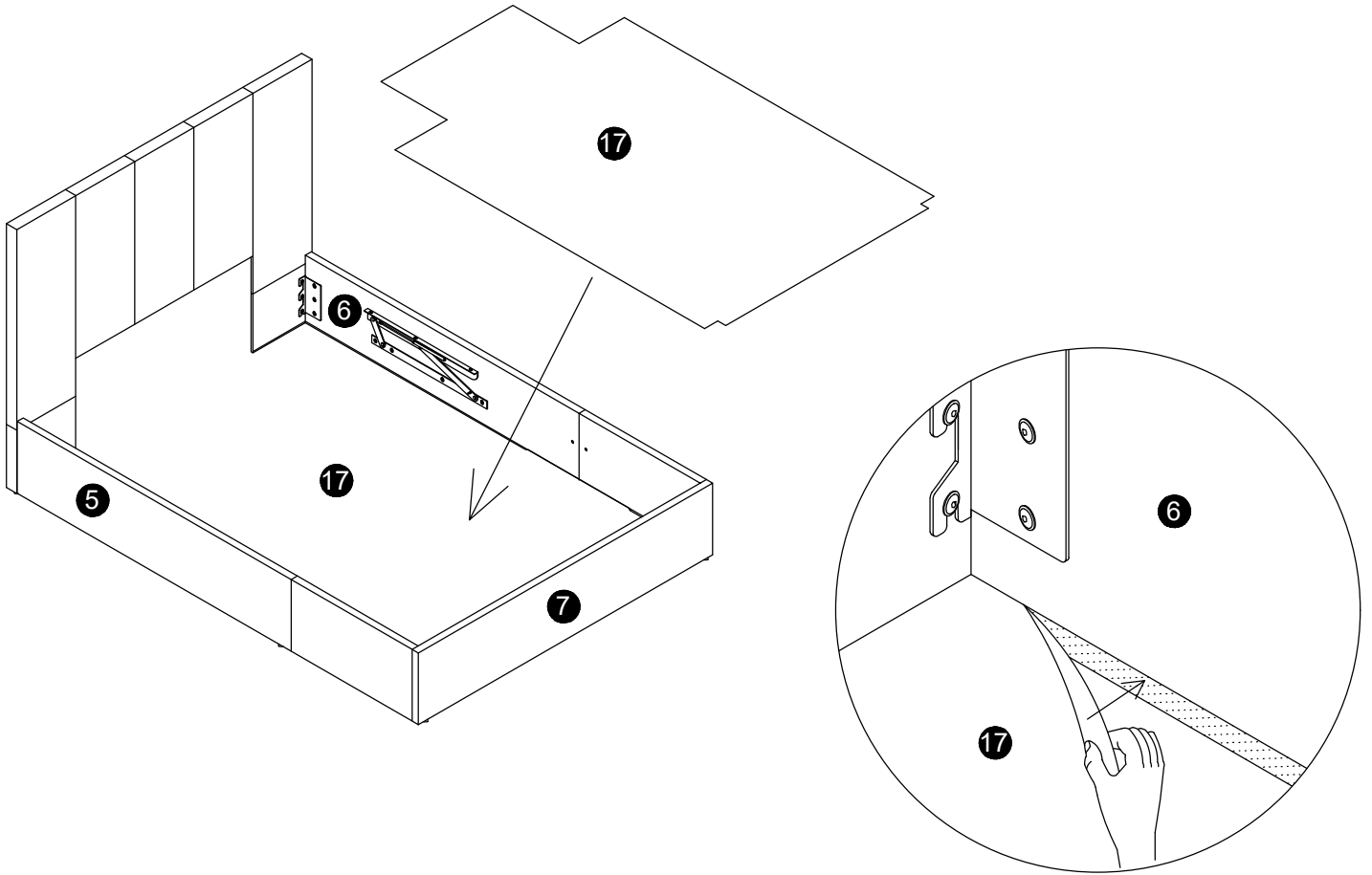
4



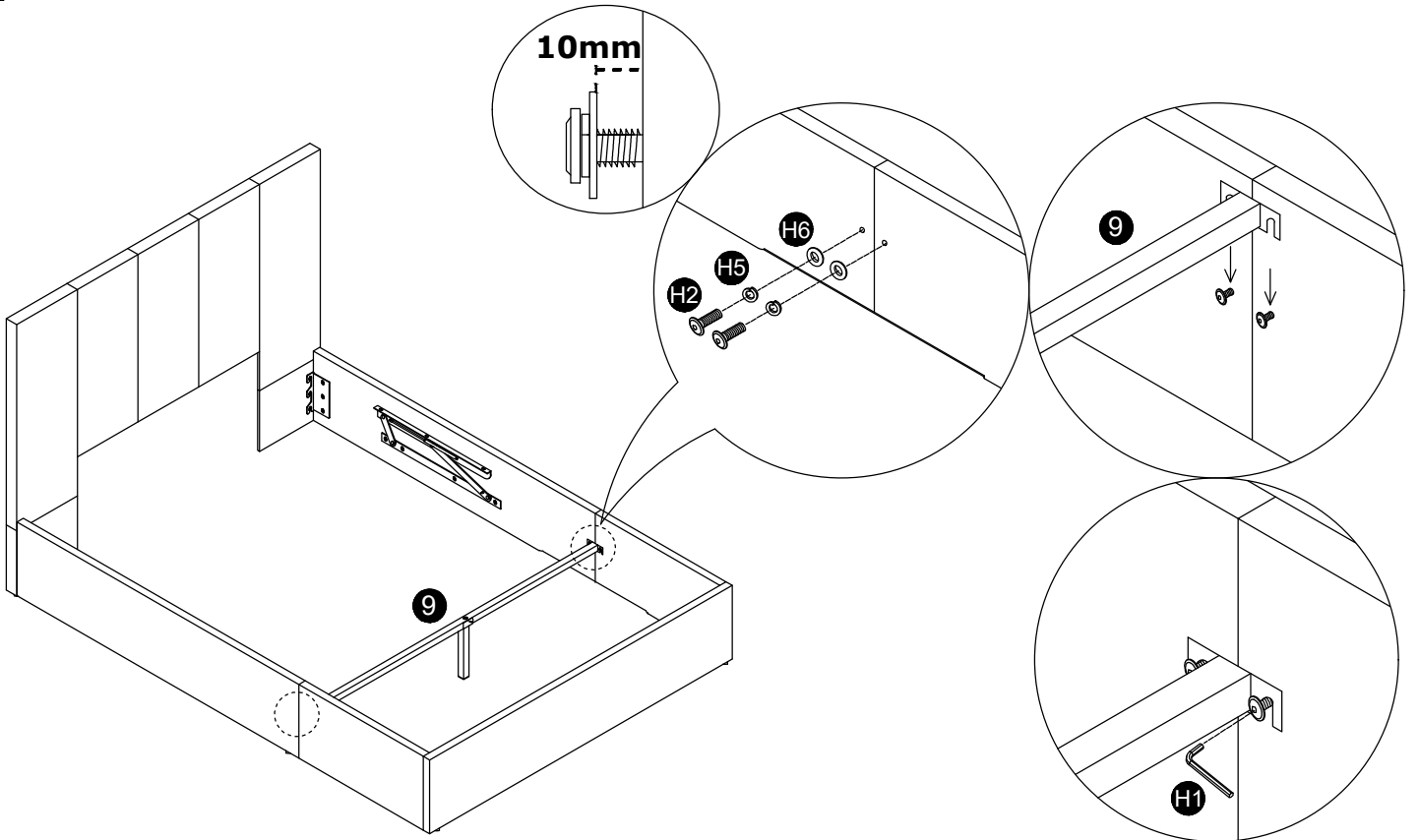
5



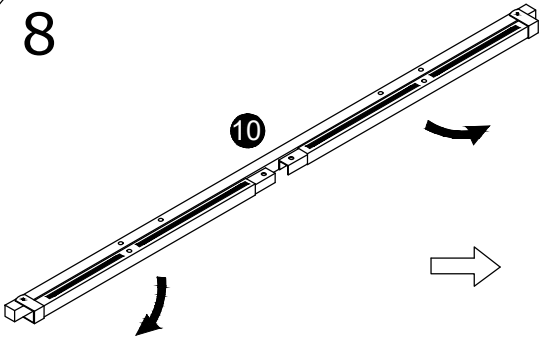
6



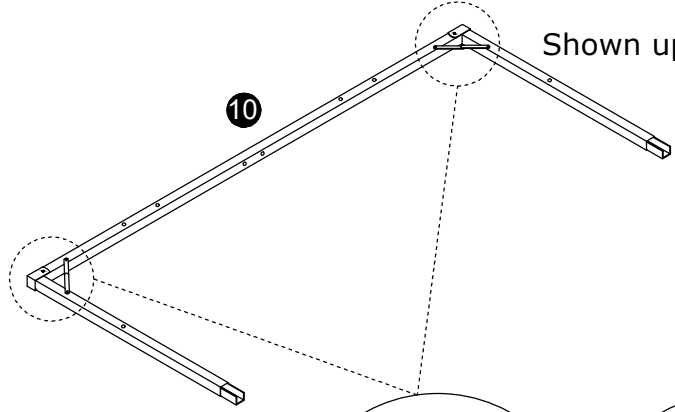
7



8

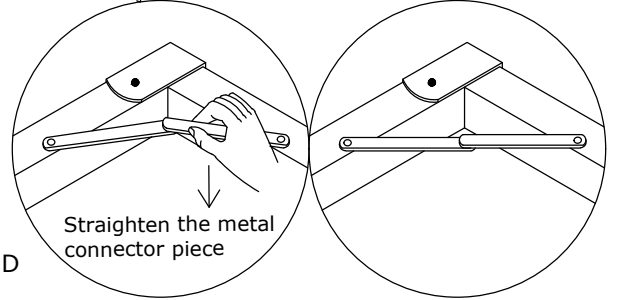


10



10

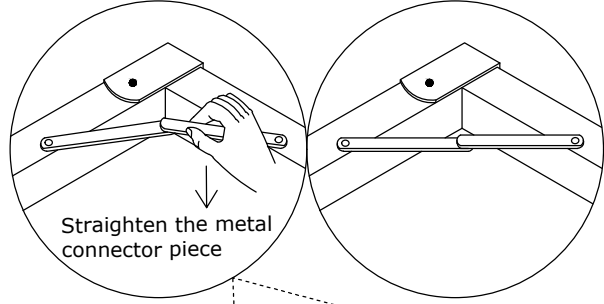
Shown upside down



Straighten the metal connector piece

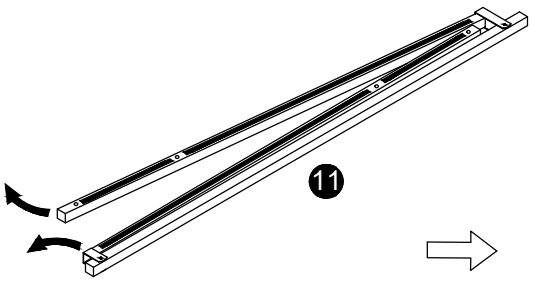
BEWARE OF CLAMP HAND

9

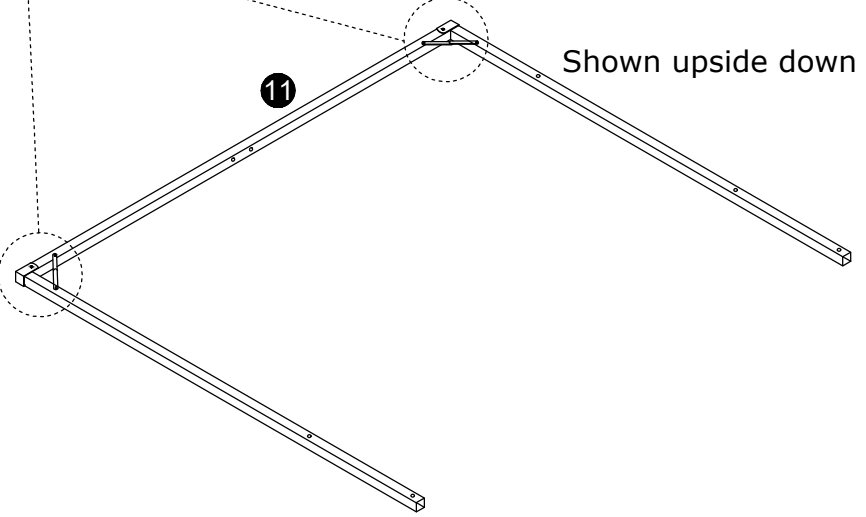


Straighten the metal connector piece

BEWARE OF CLAMP HAND



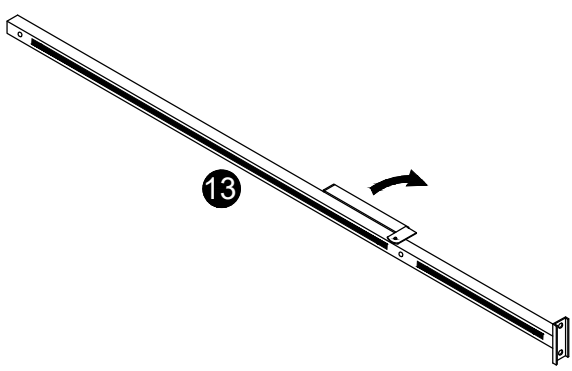
11



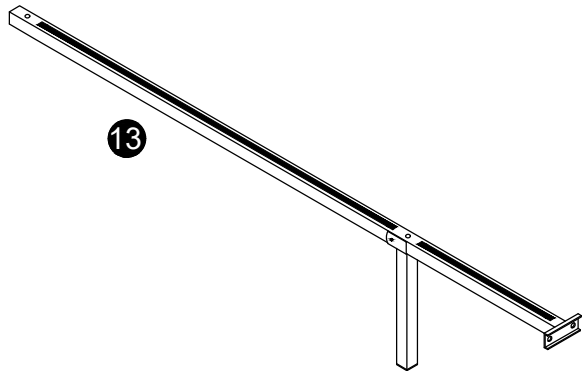
11

Shown upside down

10

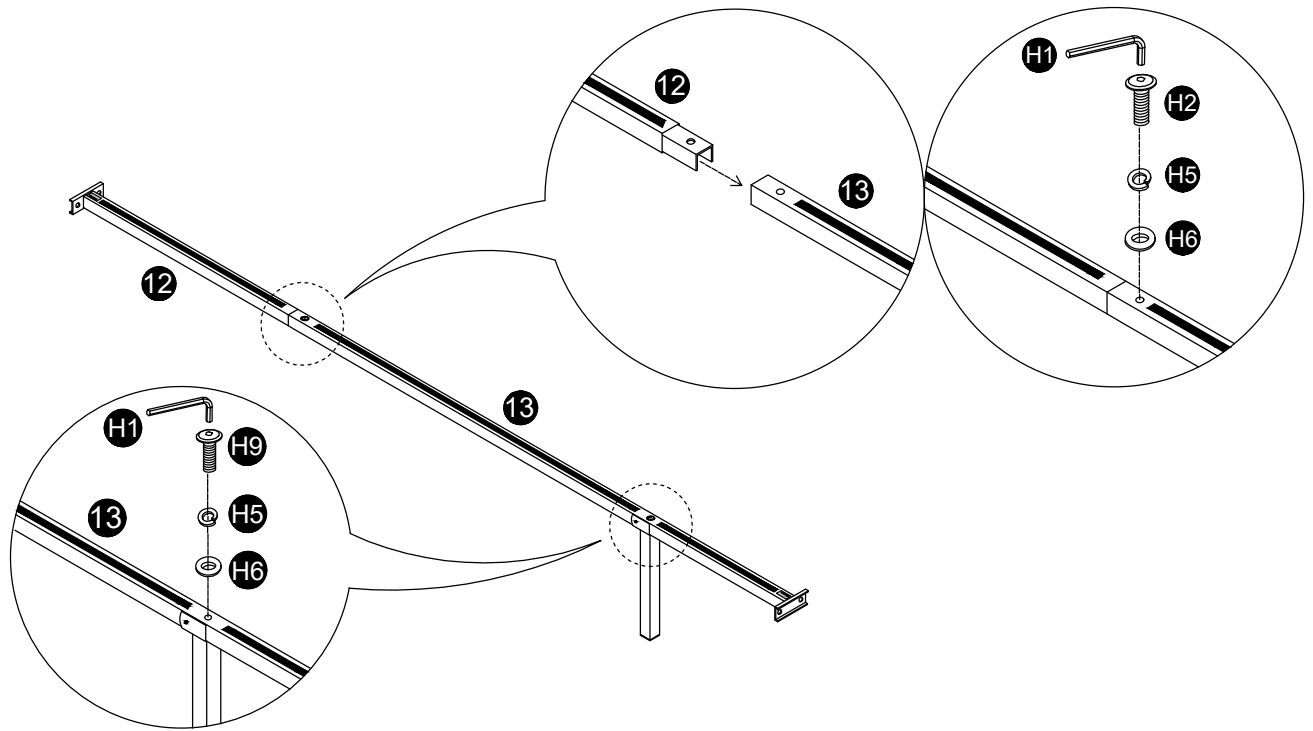


13

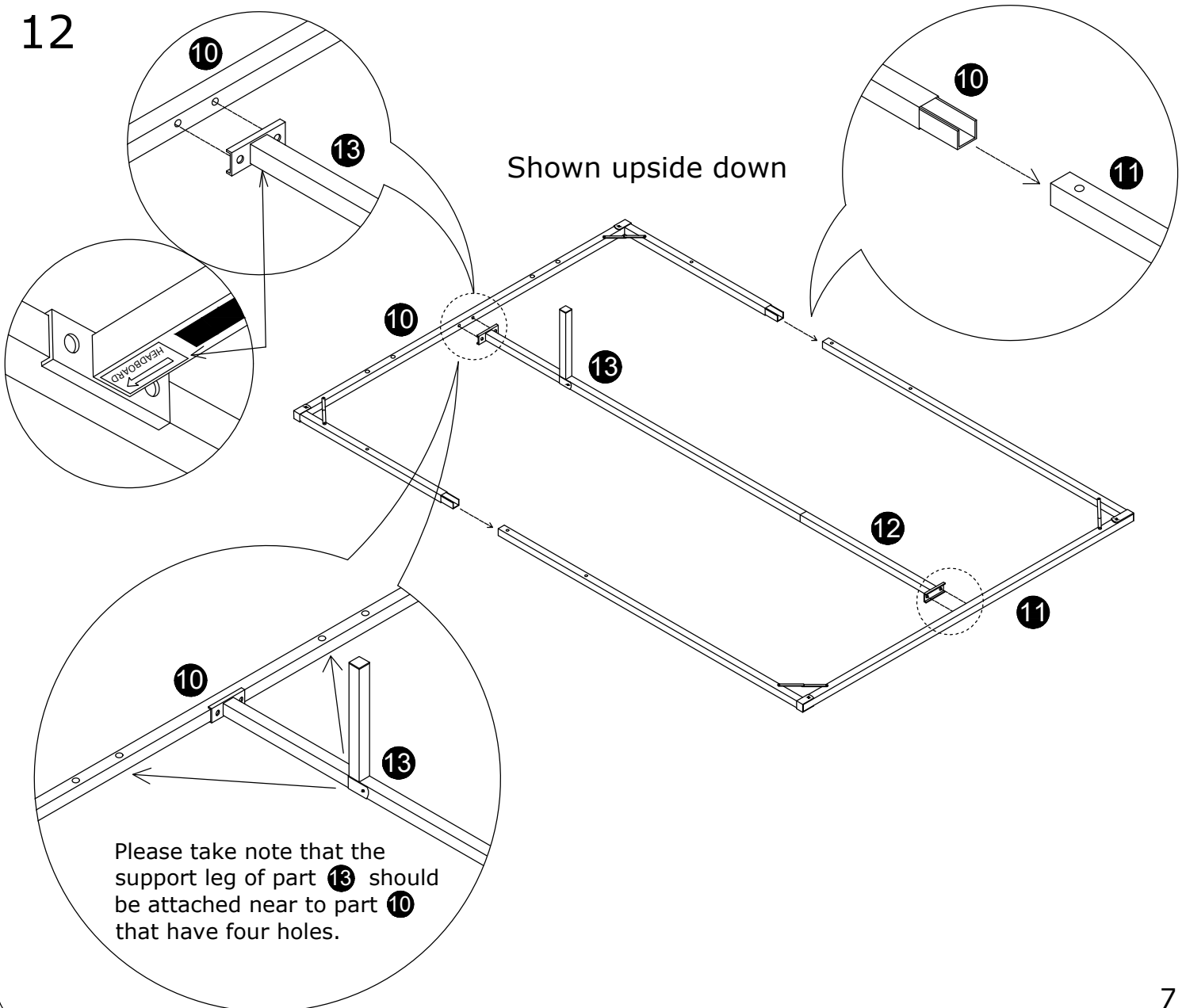


13

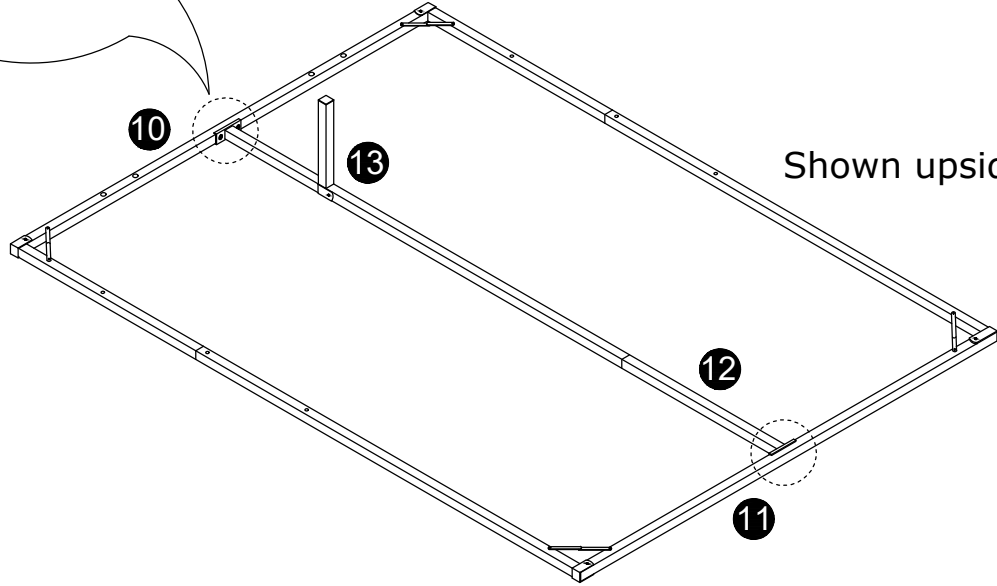
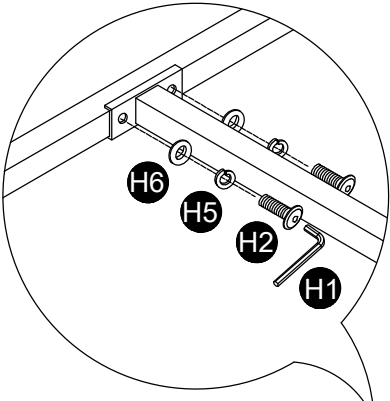
11



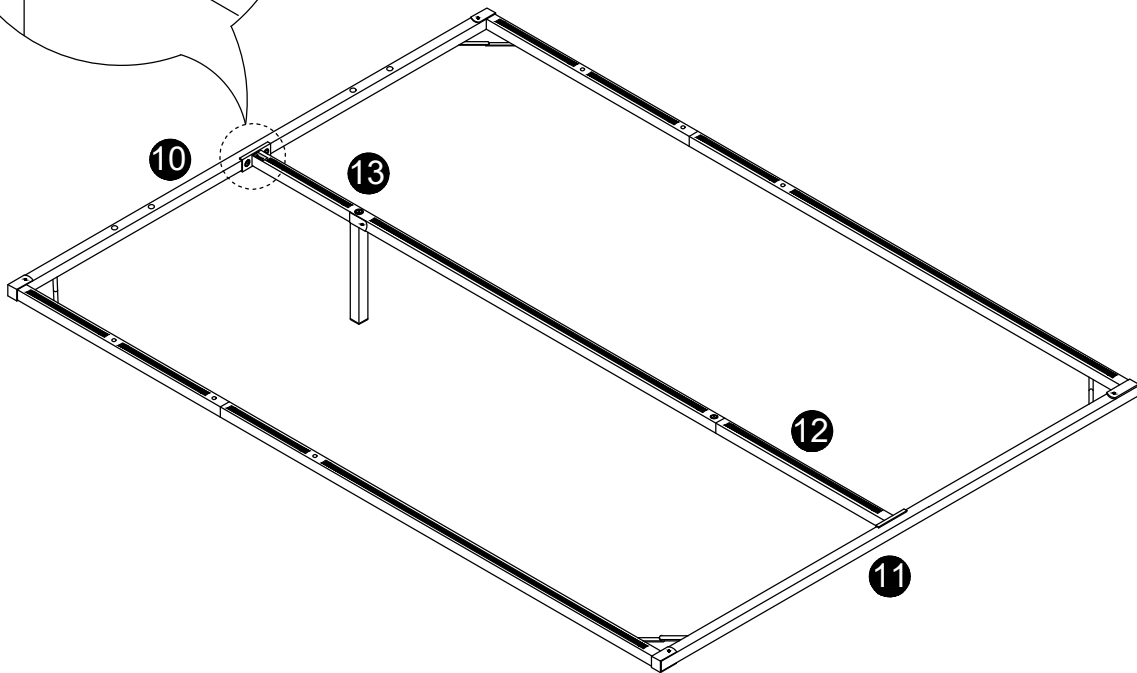
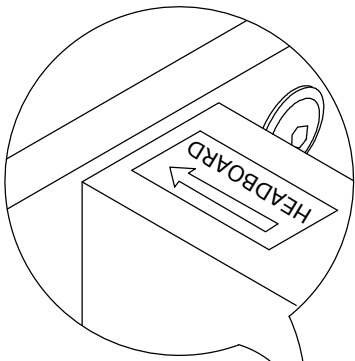
12



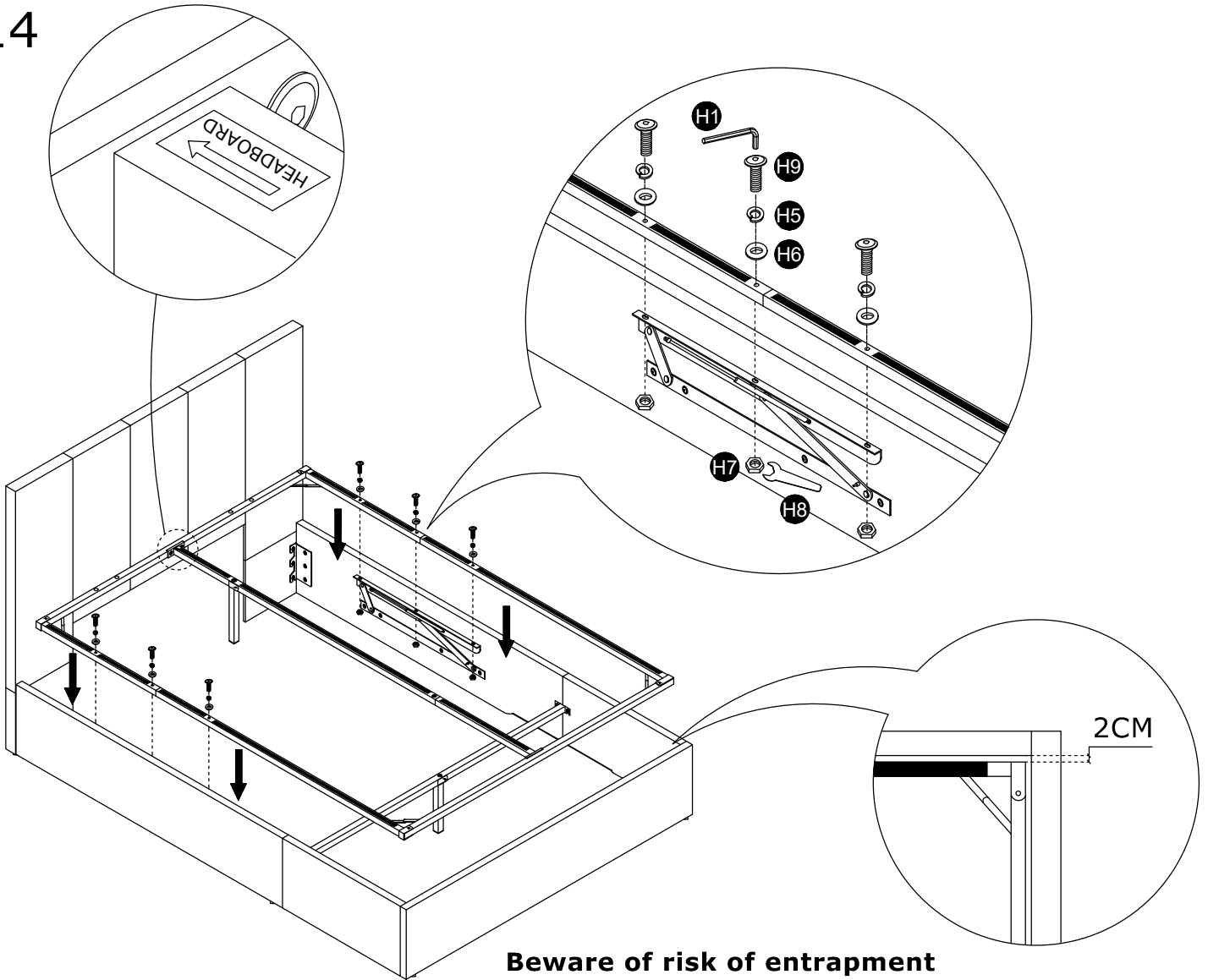
13



Shown upside down

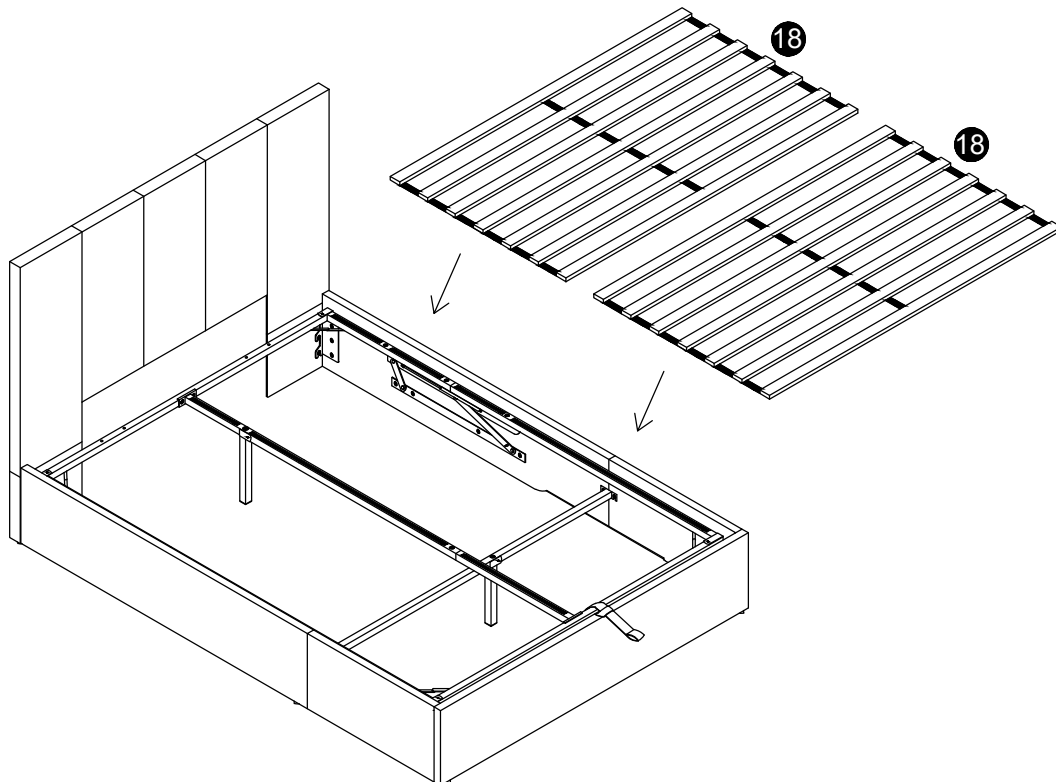


14

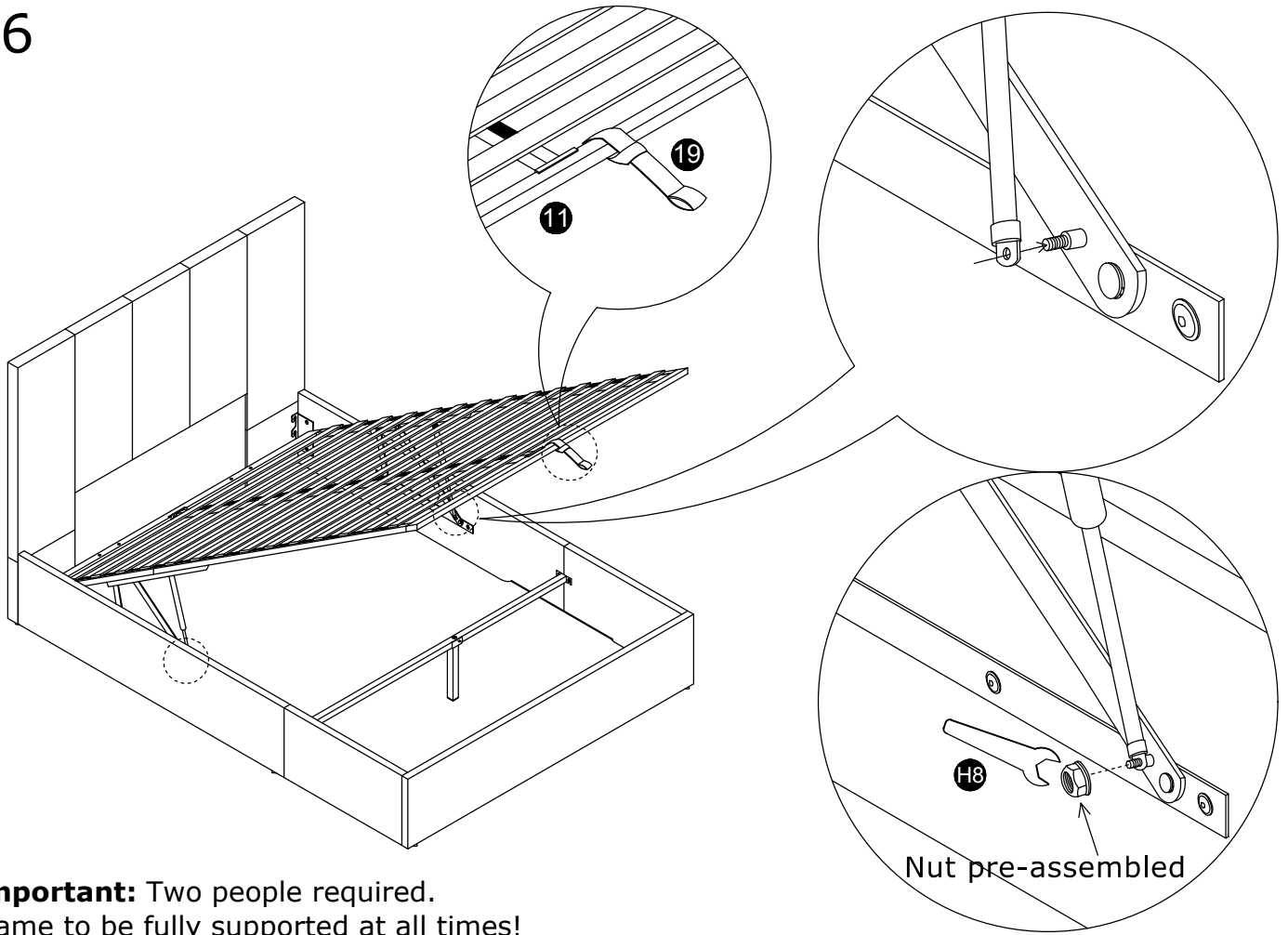


Beware of risk of entrapment from folding hinges!

15

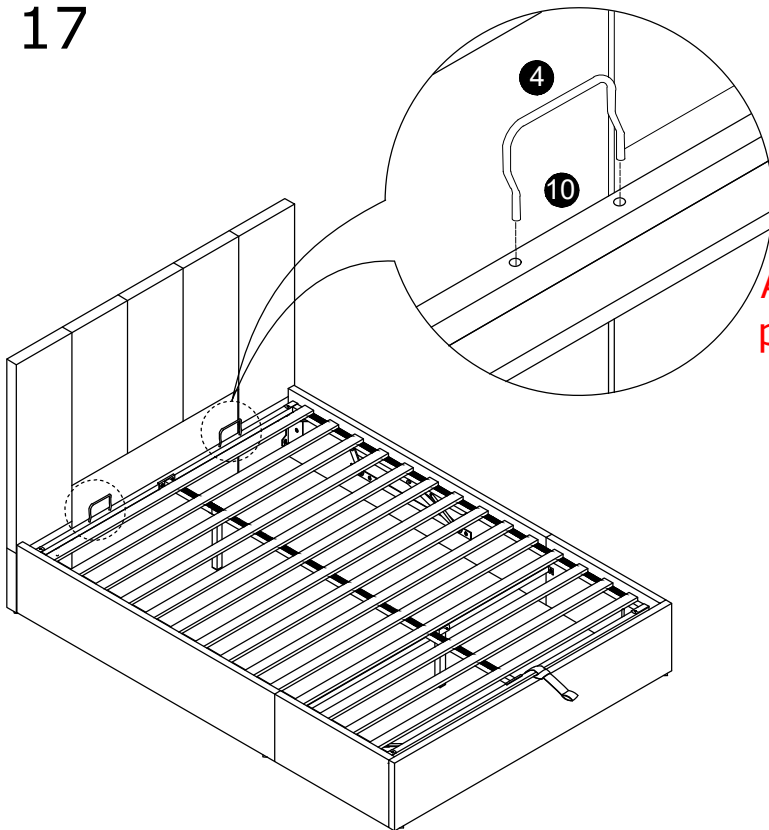


16



Important: Two people required.
Frame to be fully supported at all times!

17



After placing the mattress on frame,
push down the frame with 30lbs force.



Job Complete !

In the interest of our environment please dispose of all packaging thoughtfully.