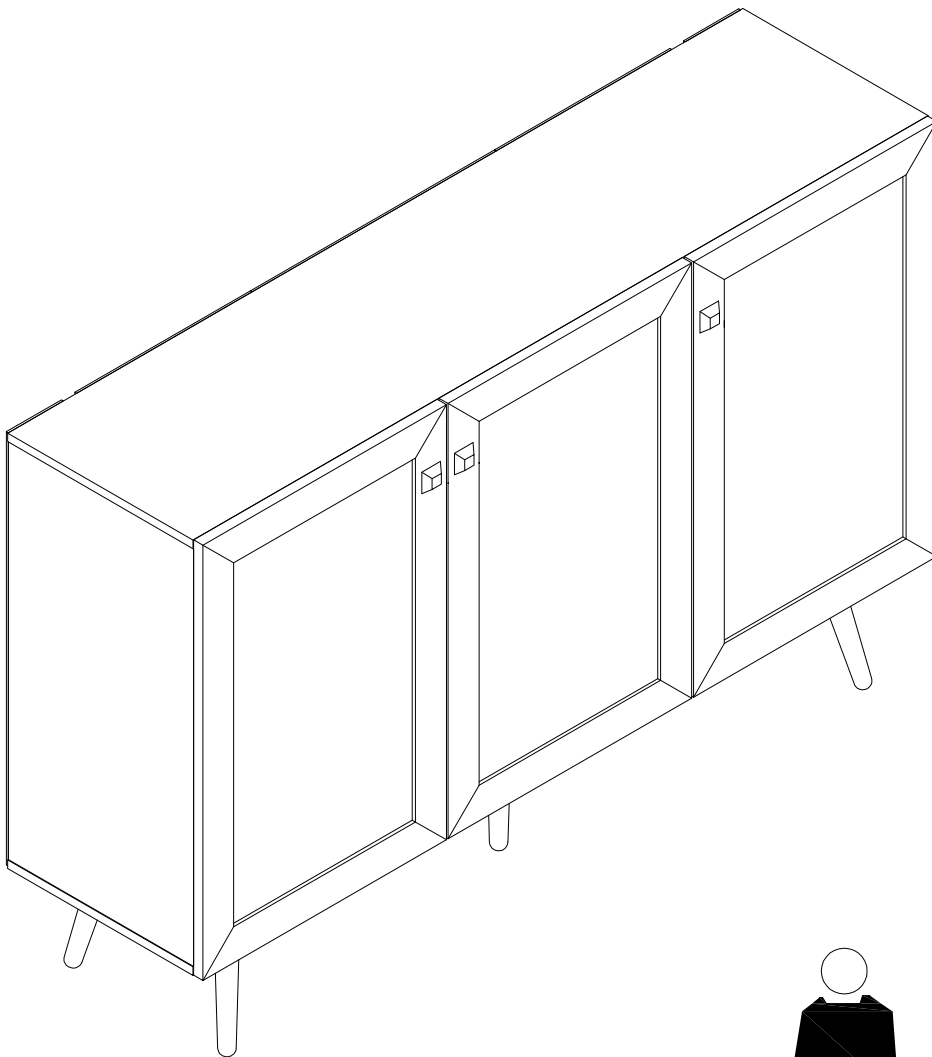


ASSEMBLY INSTRUCTION

MODEL#WS006

Thank you for purchasing the quality product. Be sure to check all packing material carefully for small parts which may have come loose inside the carton during shipment. Separate, identify and count all parts and metal hardware. Compare with all parts list to be sure all parts are present. If any part(s) are missing or damaged, please contact your local furniture dealer. For efficient and speedy service, please indicate the model number and code letter of part(s) needed.

*****Do not fully tighten screws until fully assembled*****



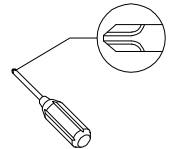
Attention:

*****Some number parts listed on the instruction sheet may not be in parts bag as they may already be assembled. Carefully check parts and packing materials prior to ordering replacements.**

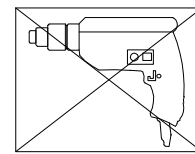
General Assembly Guidelines

- I. Ensure that all parts and hardware are available before beginning assembly.
- II. Follow each step carefully to ensure the proper assembly of this product.
- III. Two people are recommended for ease in the assembly of this product.
- IV. The three main types of hardware used to assemble this product are: wood dowels, screws and bolts.

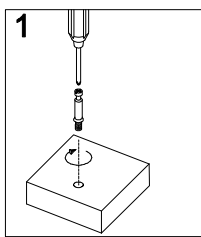
V. A Phillips head screwdriver is required for the assembly of this product.



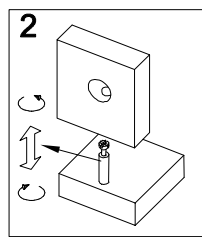
VI. Power tools should not be used to assemble this product.



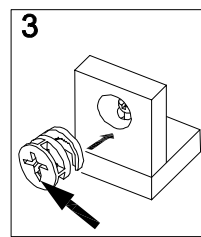
VII. Cam bolt and Cam lock Assembly instruction.



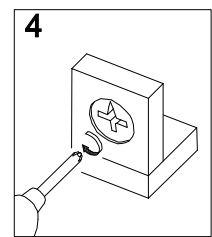
1
Cam bolt vertical installation.



2
Cam bolt is adjustable

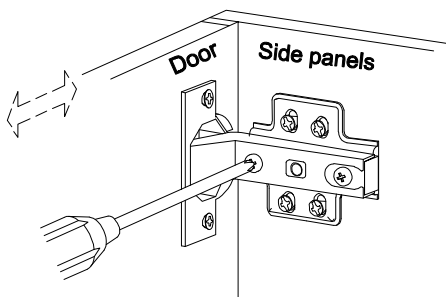


3
Cam lock the arrow is towards the Cam bolt

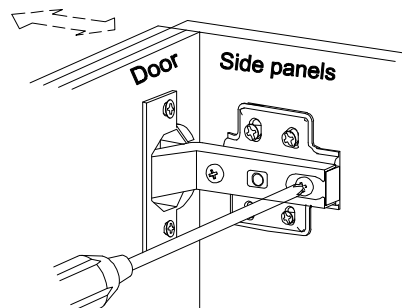


4
180° Ensure locking

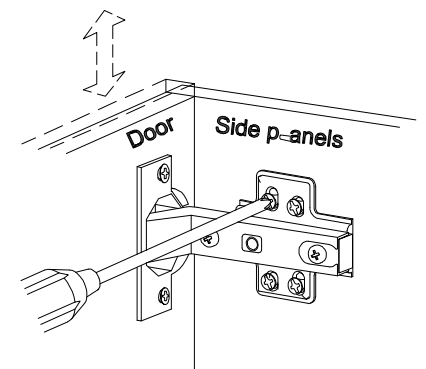
VIII. Concealed hinges are three-way adjustable.



Horizontal
by screw adjustment

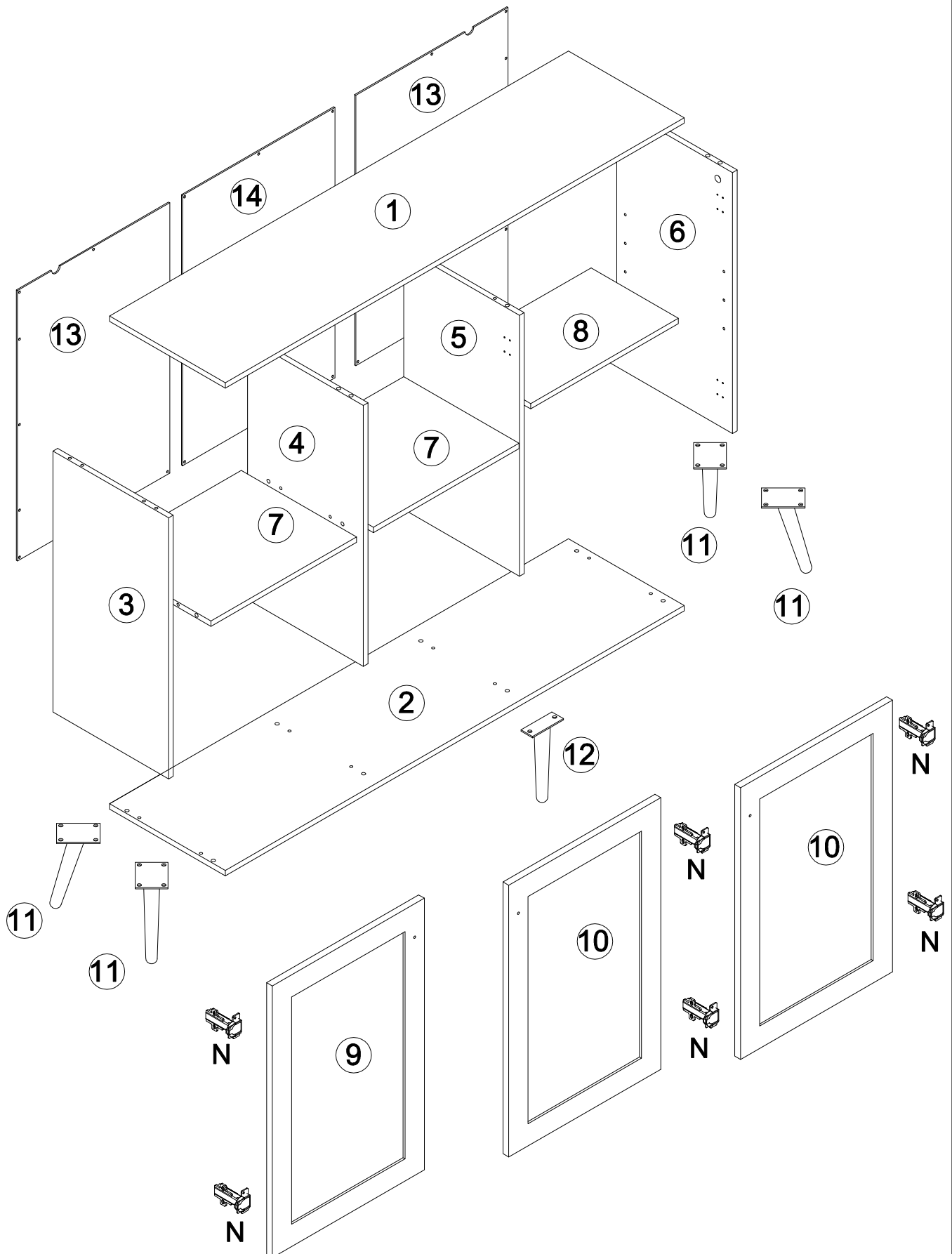


In-and-Out
by loosening the hinge-arm
mounting screw or via cam
adjustment









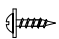






Vertical
Via slots in the mounting
plate or via cam adjustment

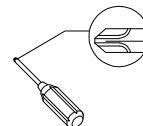
COMPONENT PARTS



Hardware List

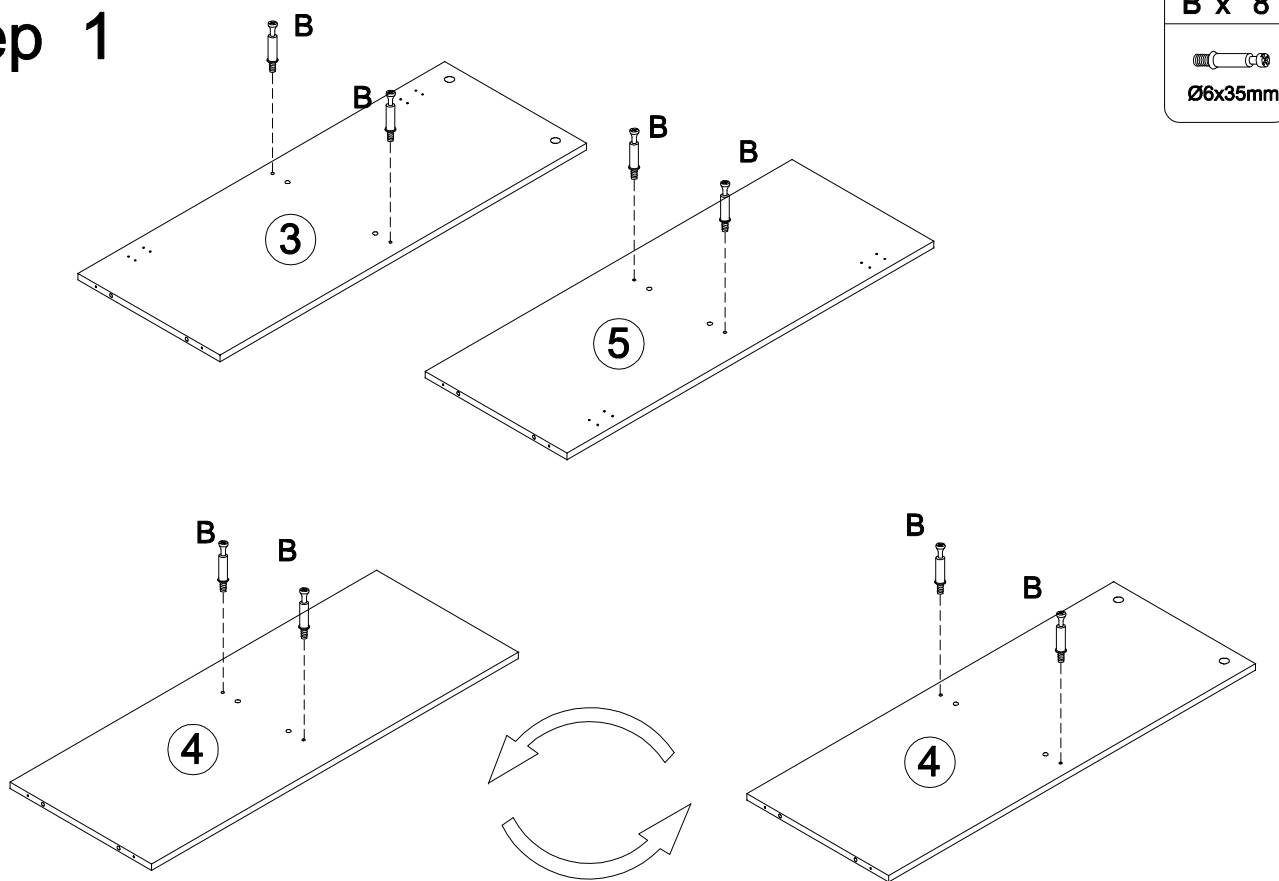
A		Ø6x30mm	Wooden dowel	24 pcs
B		Ø6x35mm	Cam bolt	16 pcs
C		Ø15x9mm	Cam lock	16 pcs
D			Sticker	8 pcs
E		Ø5x40mm	Screw	8 pcs
F			Handle	4 pcs
G		Ø4x14mm	Screw	36 pcs
H		Ø5x12mm	Screw	18 pcs
I		Ø3.5x12mm	Screw	24 pcs
J		Ø4x20mm	Screw	3 pcs
K				3 pcs
L				2 pcs
M				6 pcs

Philips head screwdriver required for assembly
(not included)

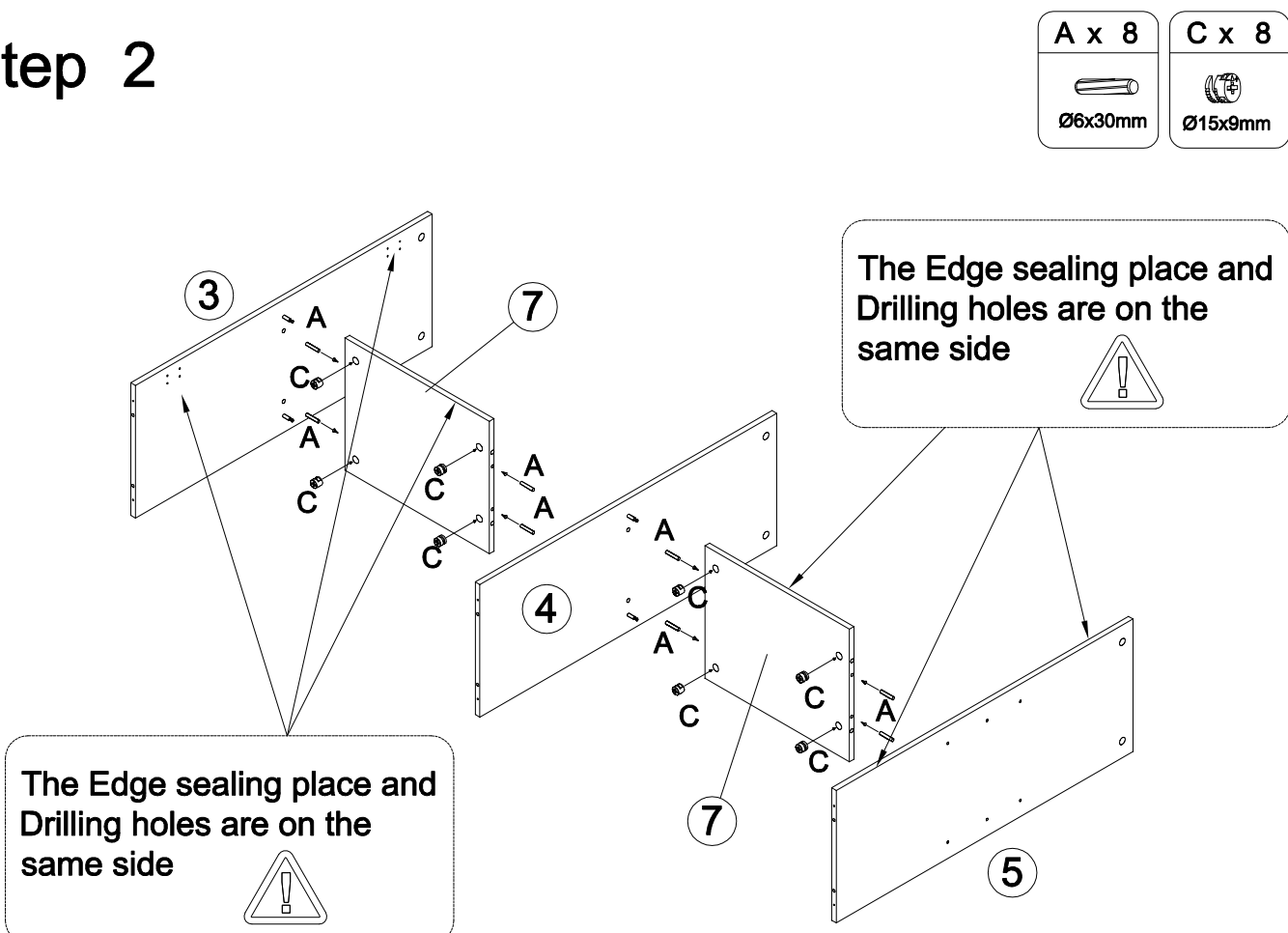


*The hardware quantities listed above are required for proper assembly.
Some extra hardware may also have been included.*

Step 1

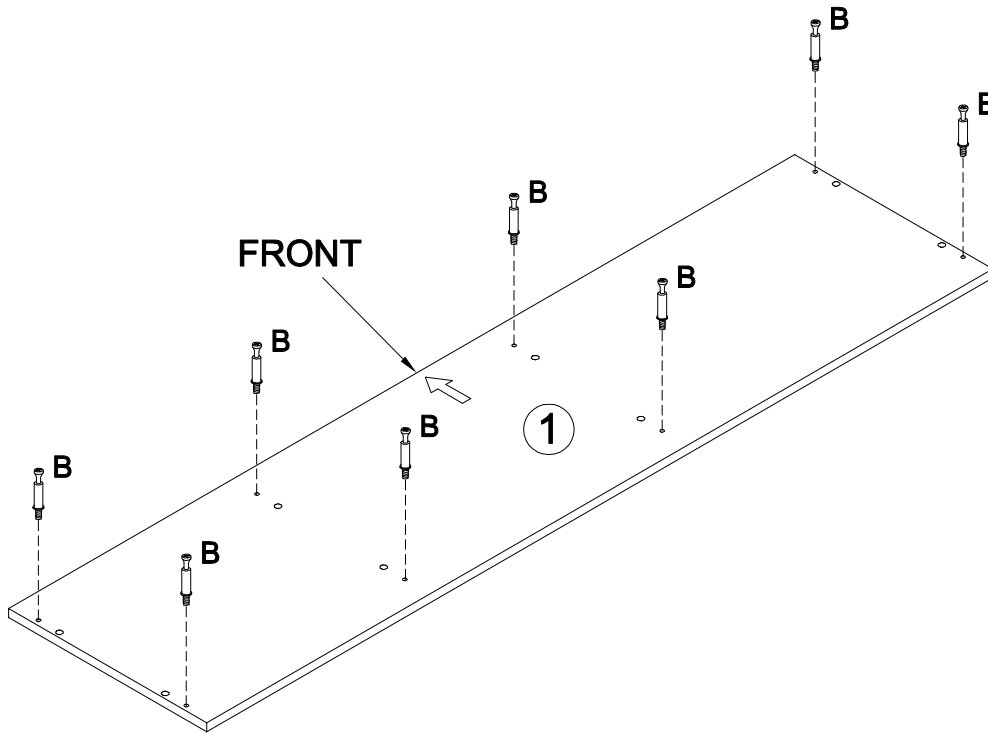
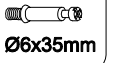


Step 2



Step 3

B x 8

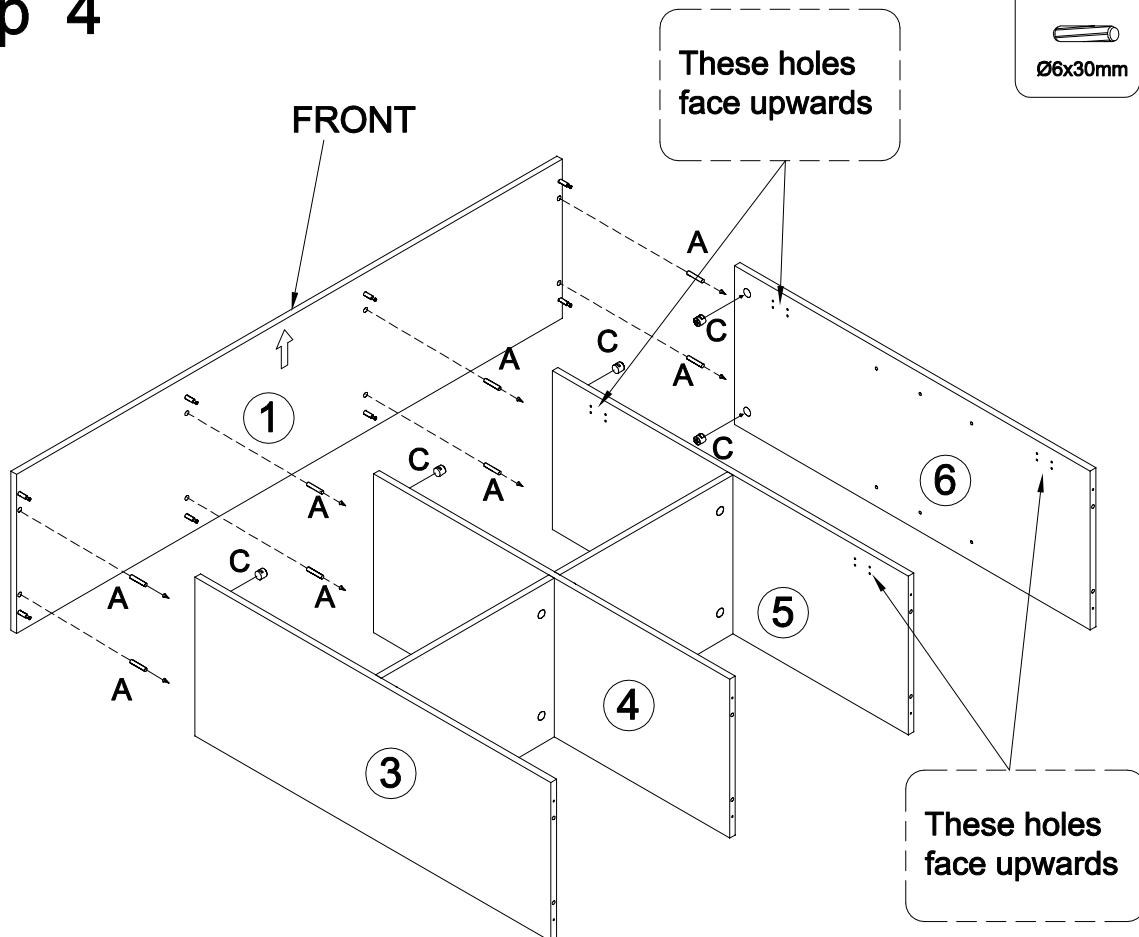


Step 4



A x 8

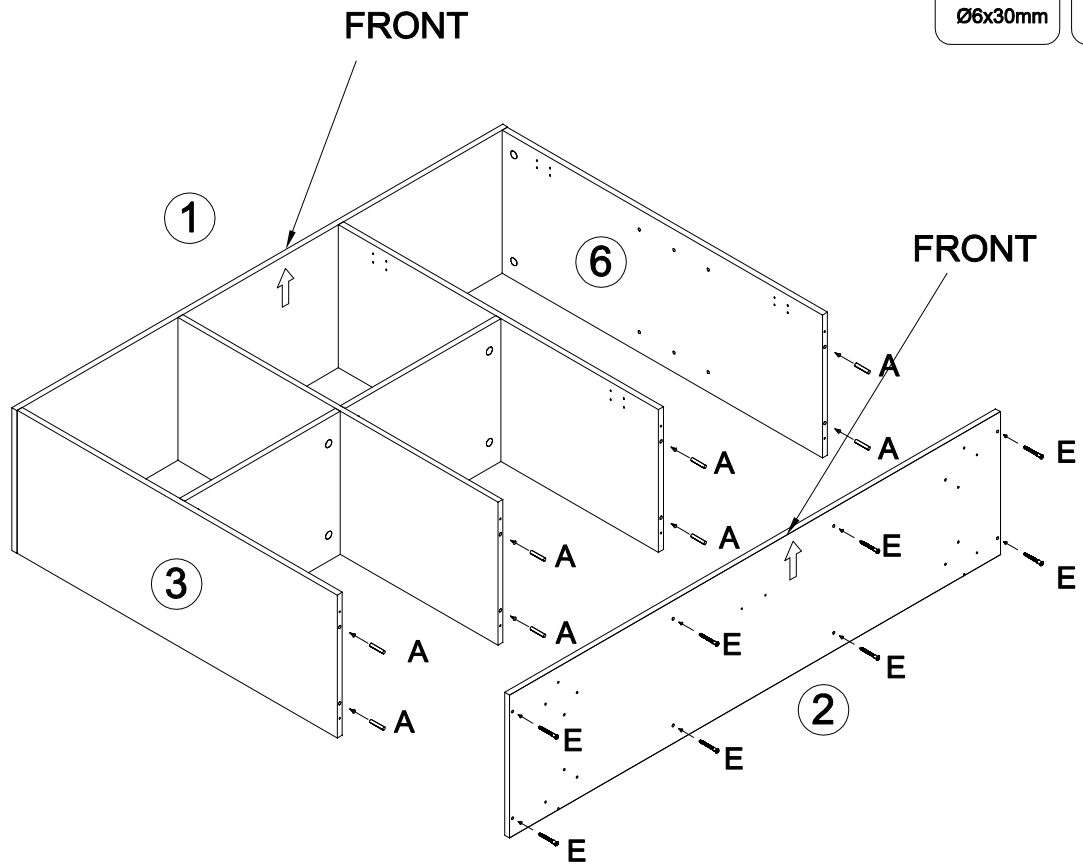


C x 8





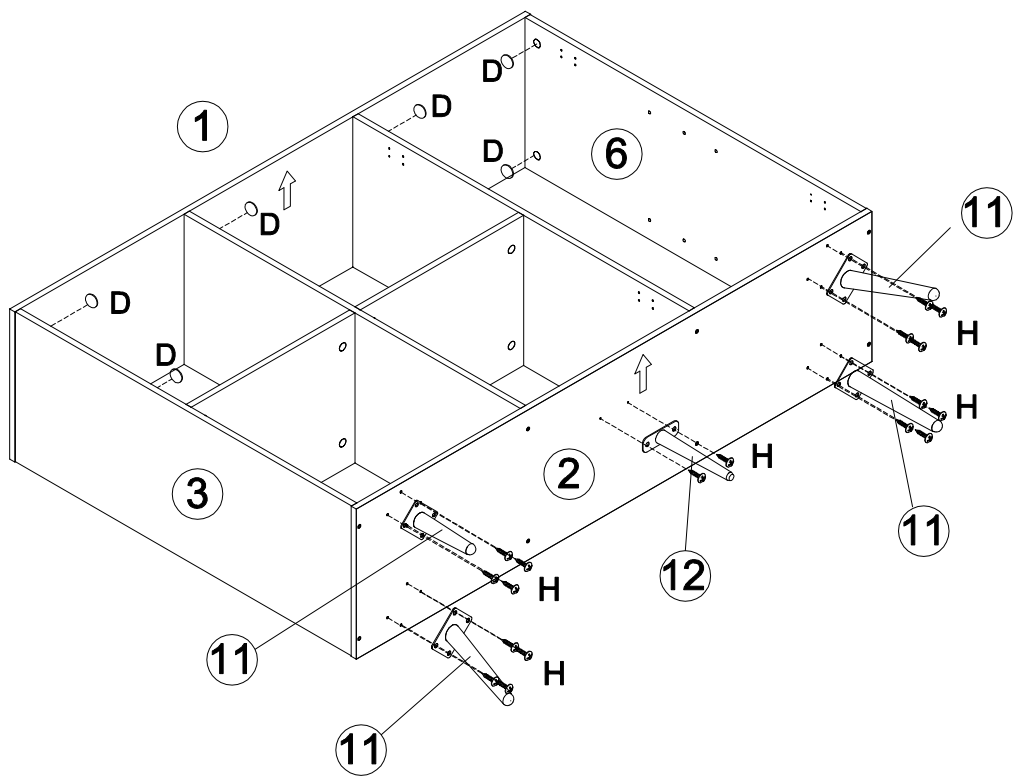
Step 5

A x 8	E x 8
	
Ø6x30mm	Ø5x40mm

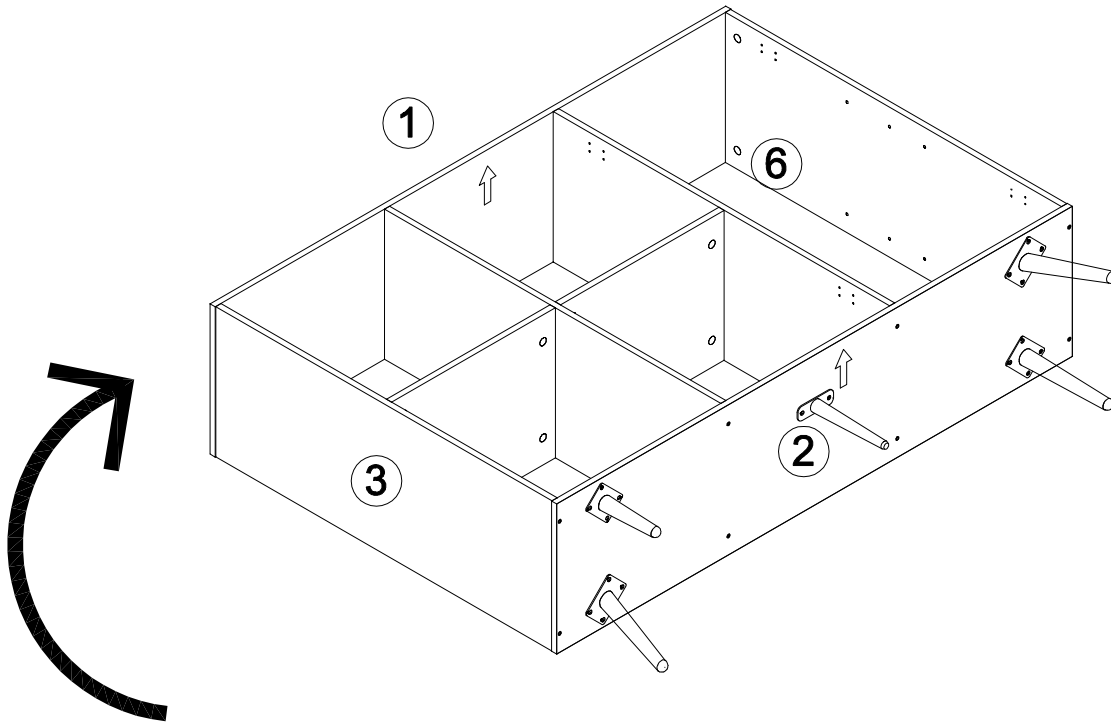


Step 6

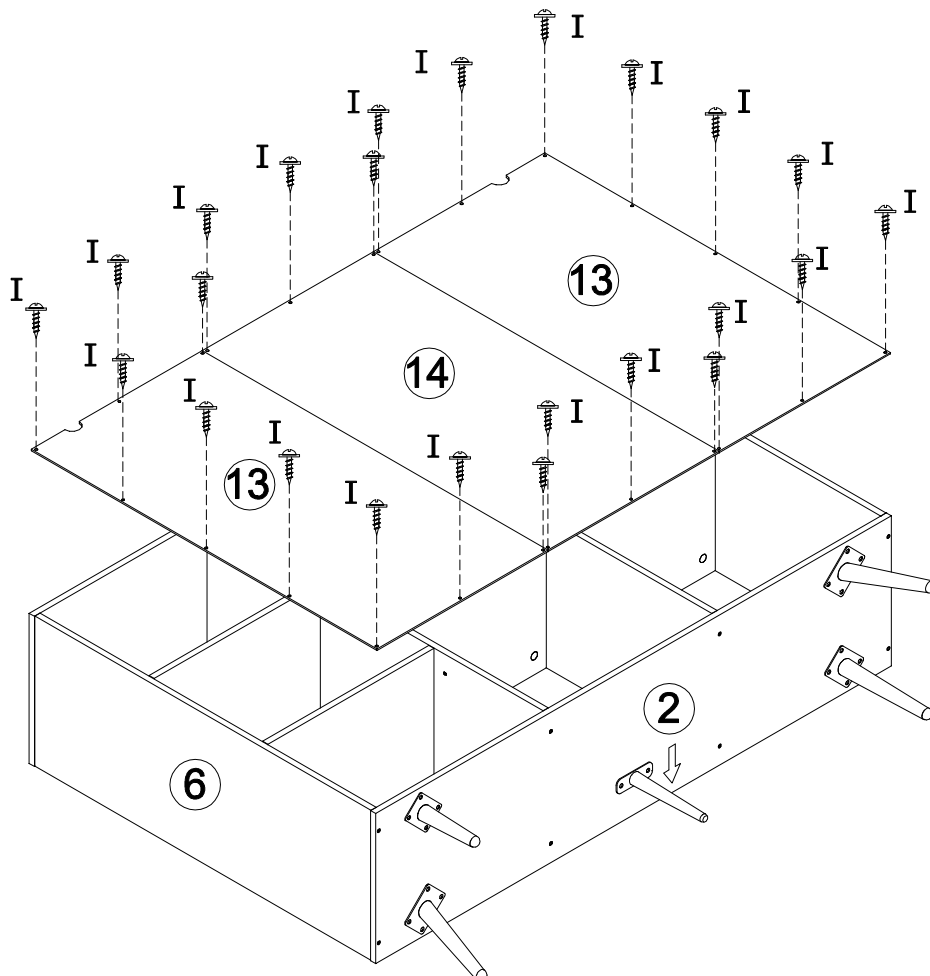
H x 18	D x 8
	
Ø5x12mm	



Step 7



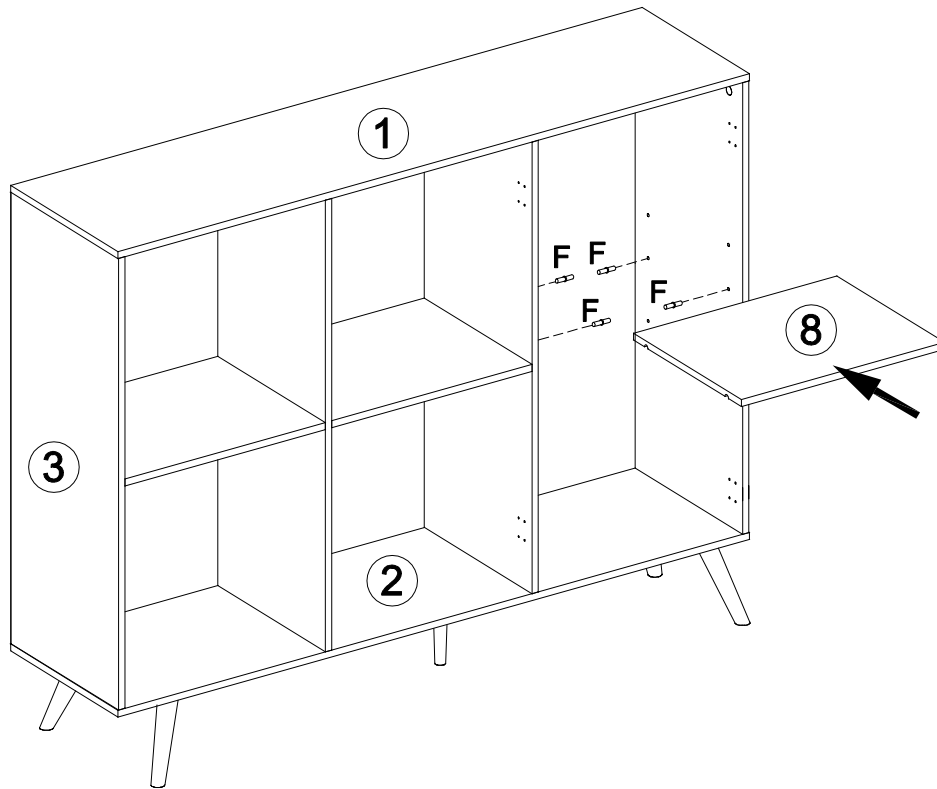
Step 8



I x 24
Ø3.5x12mm

Step 9

F x 4



Step 10

G x 12



Ø4x14mm

J x 3



Ø4x20mm

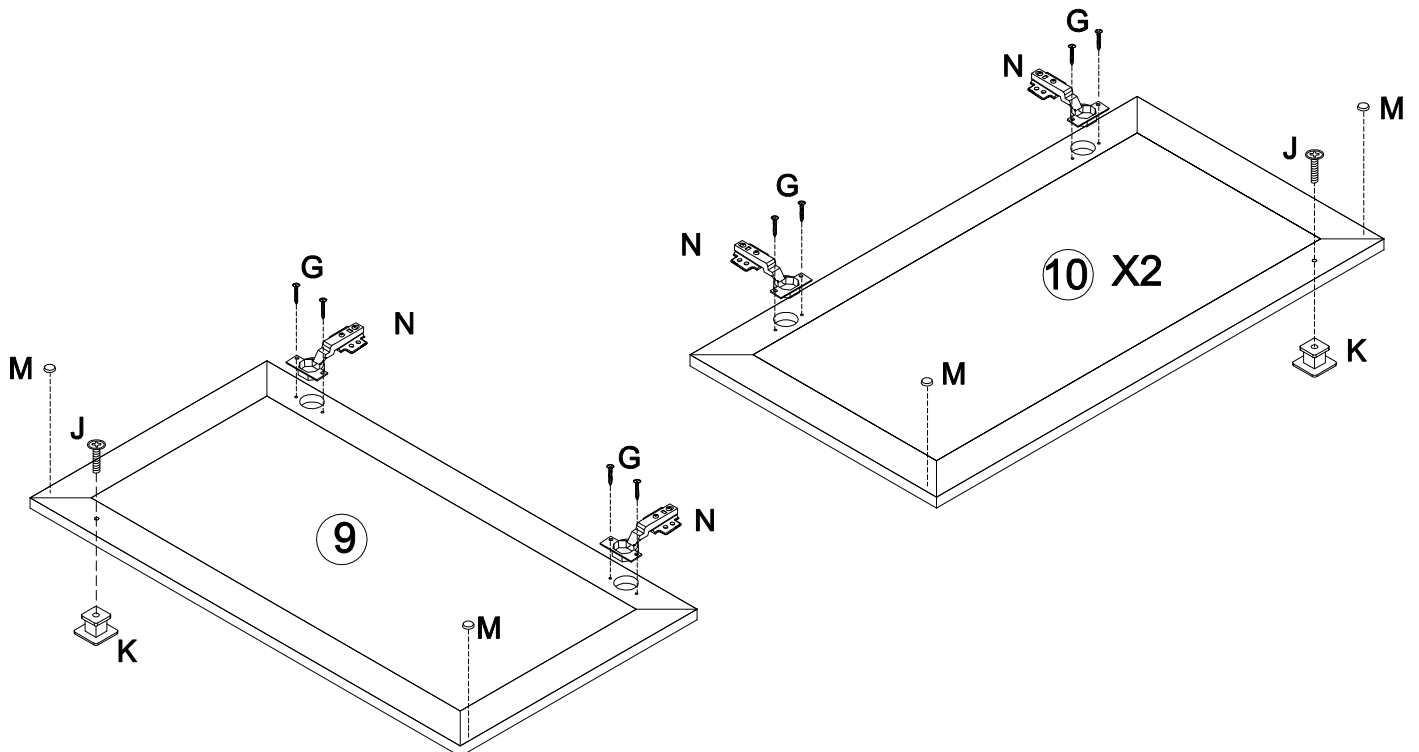
K x 3




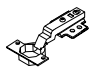
M x 6

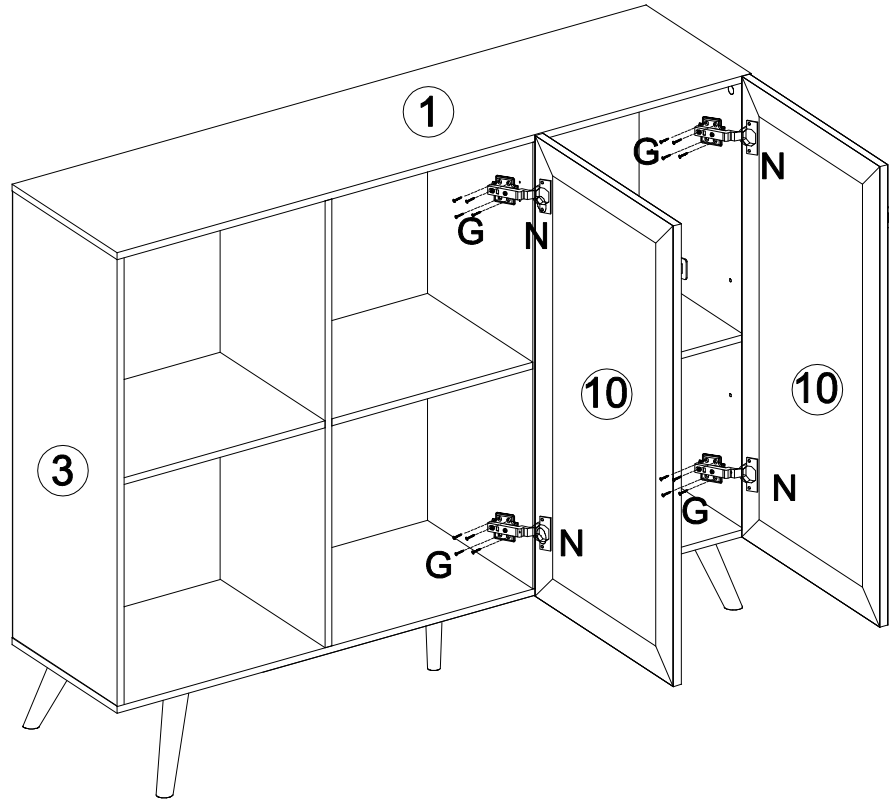


N x 6


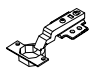


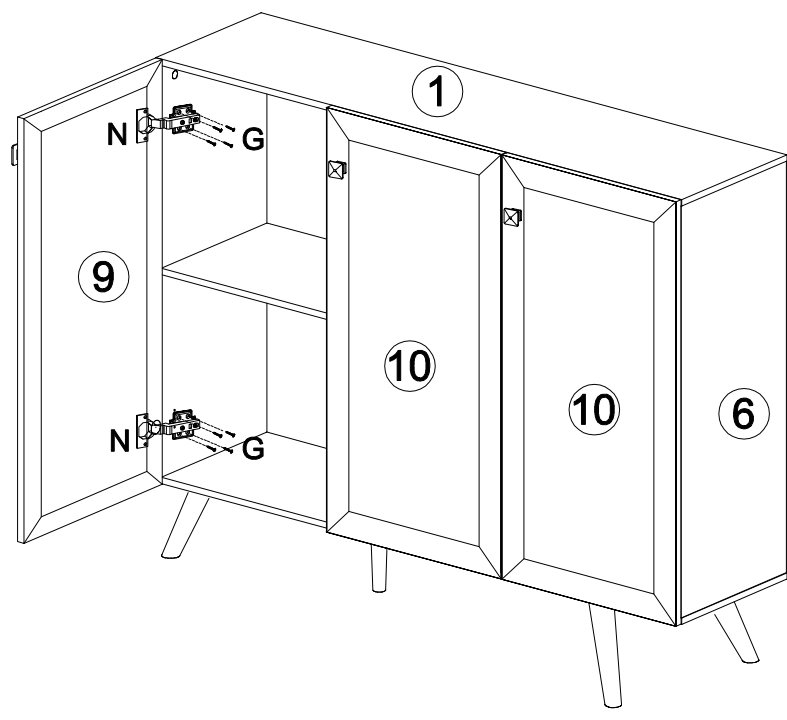
Step 11

G x 16	N x 4
 Ø4x14mm	



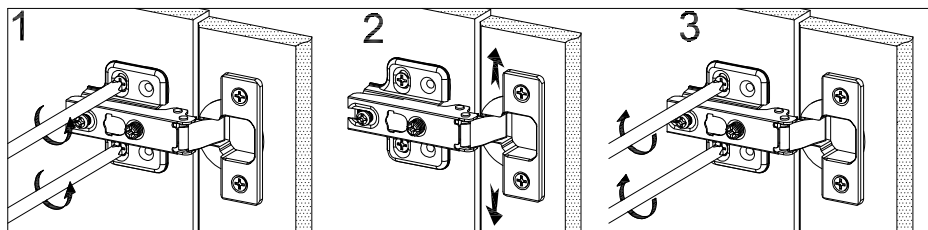
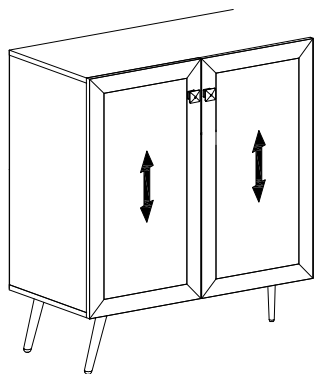
Step 12

G x 8	N x 2
 Ø4x14mm	

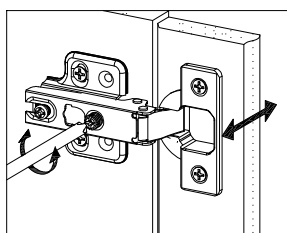
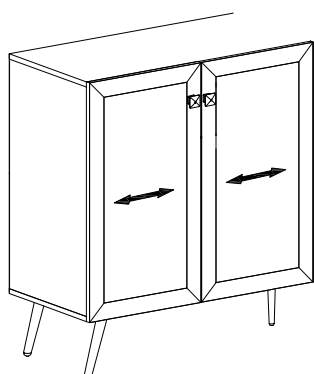


Step 13

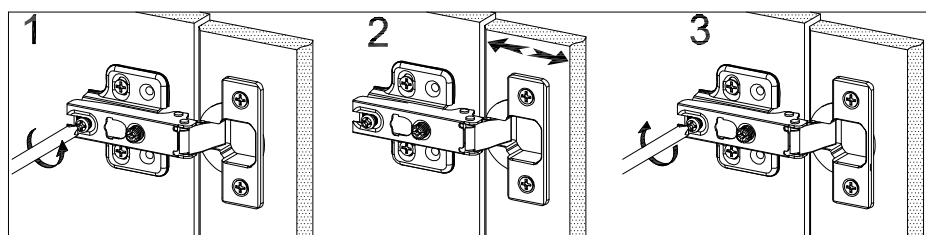
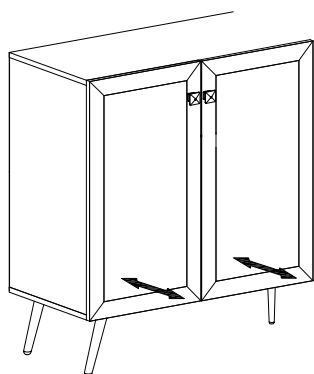
Doors don't line up? There is noticeable gap between two doors? Don't worry, refer to below instructions to adjust the hinges to fix the door disalignment or gap problems.



Loosen screws on hinges to adjust the door up and down. Then tighten screws.




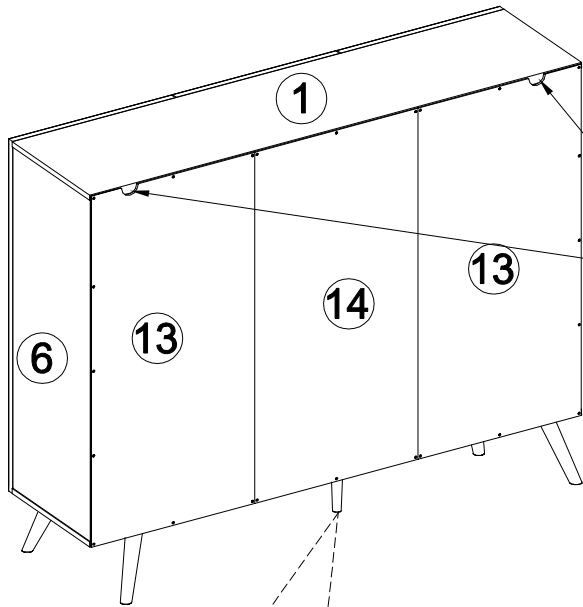
Turning the screw to adjust the door right and left



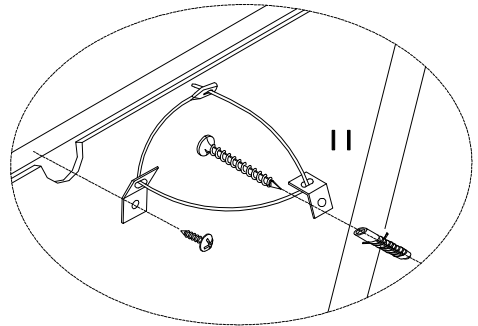
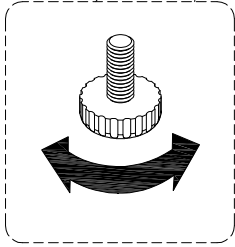
Loosen screws on hinges to move the door inward or outward. Then tighten screws.

Step 14

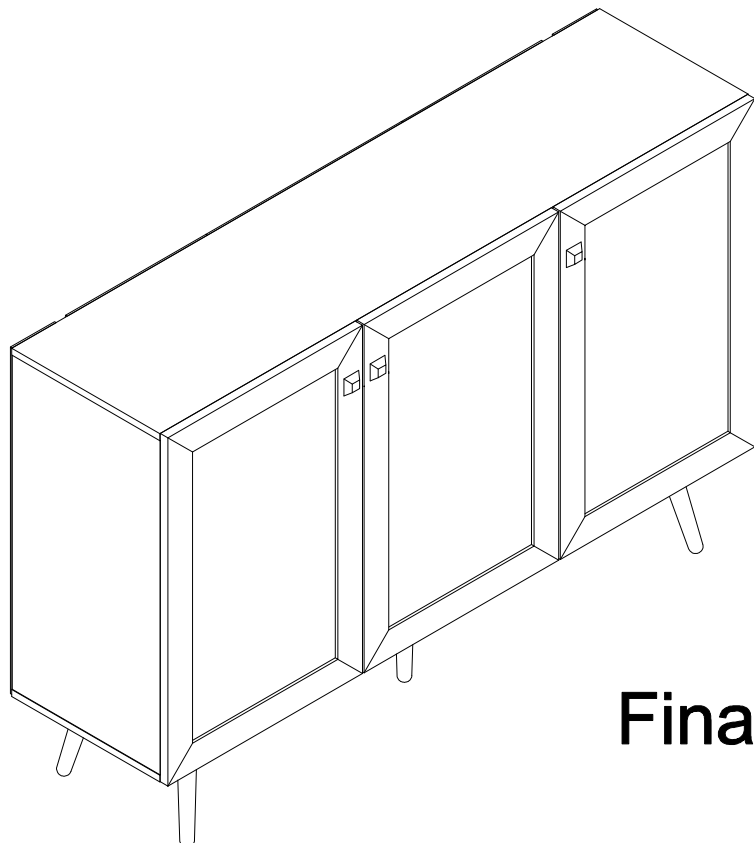
L x 2




For Assemble
Anti Tipping
hardware



Step 15



Final Assembly