

Installation & Assembly

Fixing manual

Choose the suitable cabinet according to the products(as the table)

"D"the depth of inside cabinet	"W"the width of inside cabinet	"H"the height of inside cabinet	"B"the minimum inside the cabinet
550	300	1850~2200	265
550	400	1850~2200	365

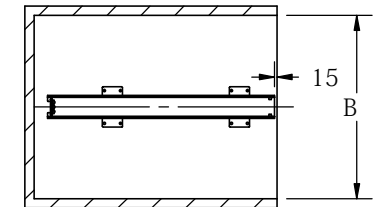
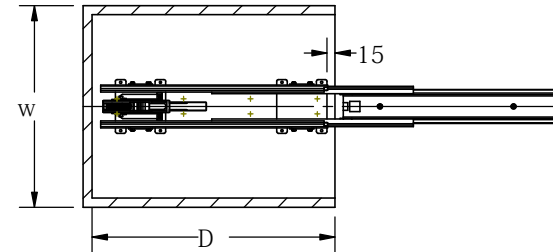
List of parts:

- | | |
|------------------|-----------------------------|
| A. top runner | E. saddle-backed stabilizer |
| B. bottom runner | F. pothook |
| C. main frame | G. wire basket |
| D. T-bar | |

Fixing steps

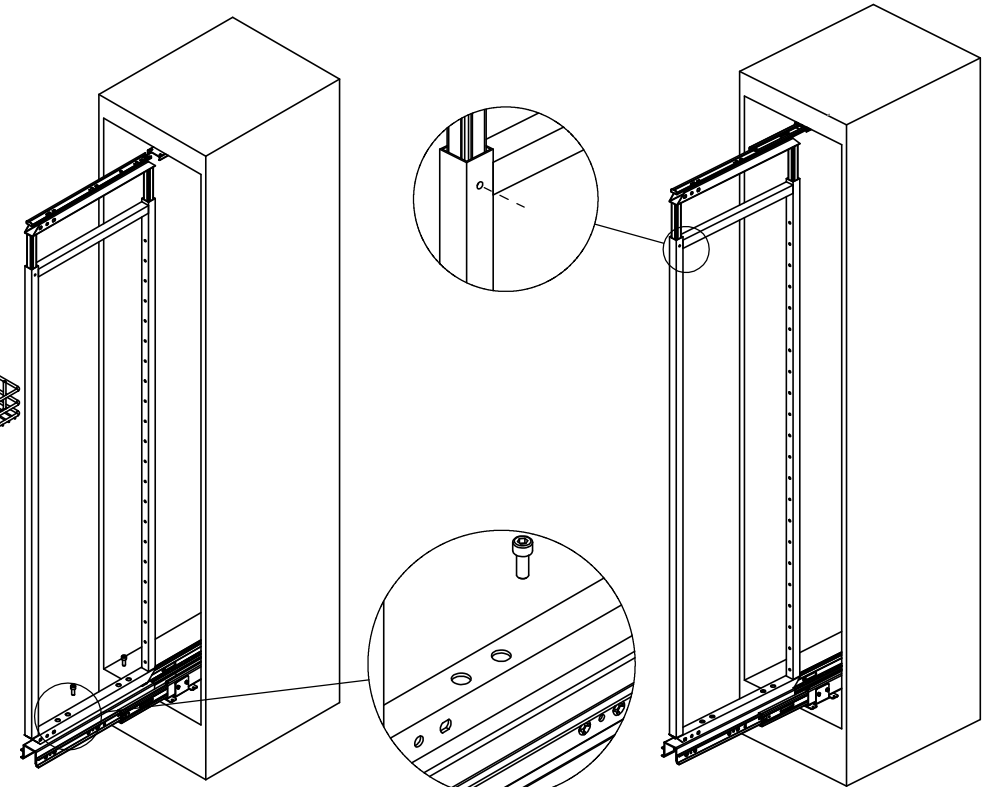
1、 Fix up the bottom runner by using 8 pcs ST4*14 screws.

2、 Fix up the top runner by using 8 pcs ST4*14 screws.



3、 Fix the main frame(C) to the bottom runner(B).

4、 Adjust the frame to the suitable height and fix it up by 2 pcs M6*14 screws.



Assembly listing of screw:

1. ST4*14 screw 28 pcs:

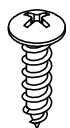
- * 8 pcs use for fixing top runner on the top board of the cabinet.
- * 8 pcs use for fixing bottom runner on the bottom board of cabinet.
- * 12 pcs use for fixing T-bar to the door board.

2. 6 pcs M6*16 use for connecting and adjusting discreteness of door board.

3. 2 pcs M8*20 use for strengthening the frame.

4. 2 pcs M6*14 use for adjusting the main frame .

5. 8 pcs ST4*14 use for the saddle-backed stabilizer



1(28pcs)



2(6pcs)



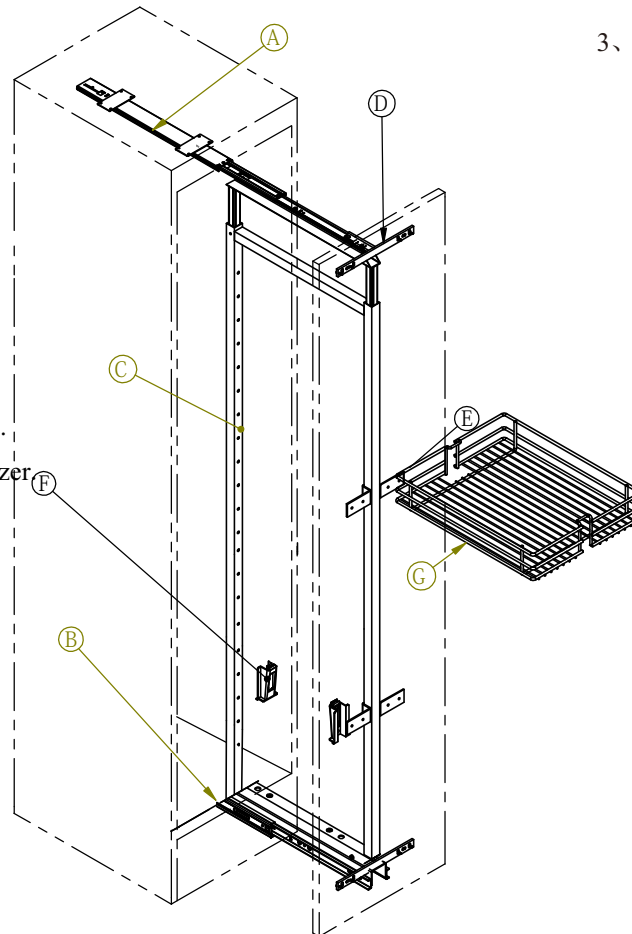
3(2pcs)



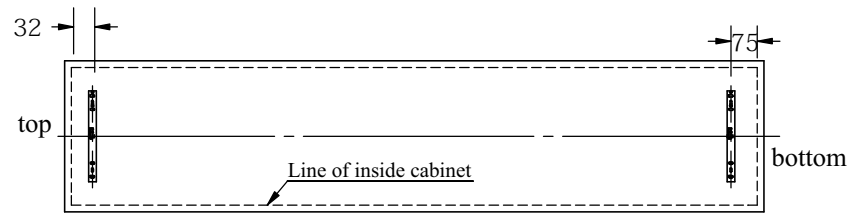
4(2pcs)



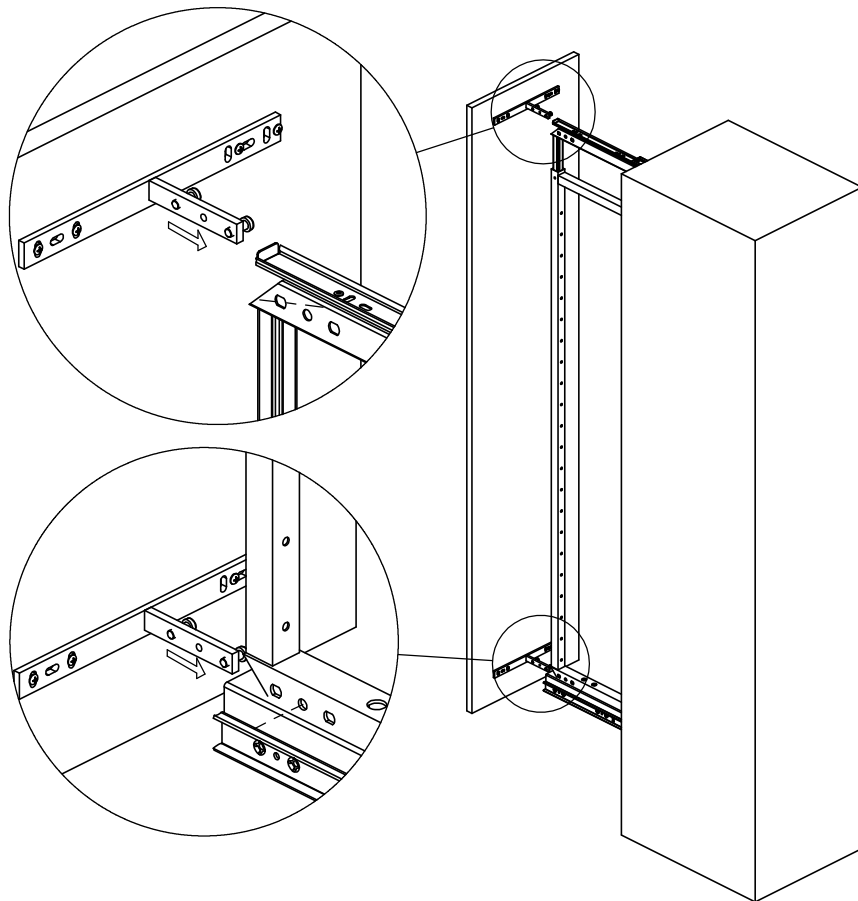
5(8pcs)



5、 Fix up the T-bar by using 12 pcs ST4*14 screws.



6、 Secure the T-bar with 6 pcs M6*16 screws.



7、 Fix up the saddle-backed stabilizers with 8 pcs ST4*14 screws. Then put the baskets(G) after all the pothook(F) are into the holes of the side of the frame.

