

Thank you for choosing a **Palace Imports** product.

Your complete satisfaction is our top priority.

Customer Service and Warranty Information

- **For Warranty Assistance:**

If you experience any issues or require additional information regarding your warranty, please do not contact the place of purchase. Instead, reach out directly to our Customer Service Team at info@palaceimportsinc.com or visit our website at www.palaceimportsinc.com for prompt support.

- **Warranty Coverage:**

PALACE IMPORTS warrants its products to the original purchaser against defects in materials or workmanship. A defect is defined as any flaw that impairs the normal use of the product. This warranty is limited to the replacement of defective parts or components and is valid for one (1) year from the date of purchase.

- **Warranty Limitations:**

This warranty covers products used under normal household conditions. It does not apply to furniture used outdoors or damage resulting from improper assembly or disassembly, product modification, intentional damage, accidents, misuse, exposure to elements, or any labor or assembly costs.

- **Additional Terms:**

PALACE IMPORTS reserves the right to require proof of purchase to process any warranty claim. We are not liable for any incidental or consequential damages arising from the misuse of our products.

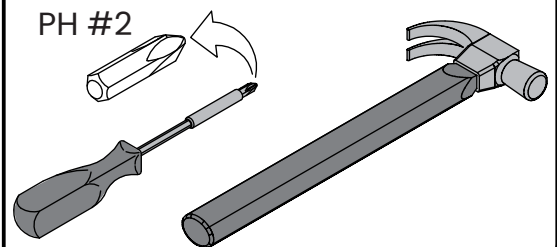
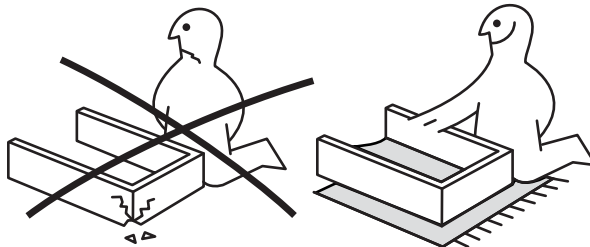
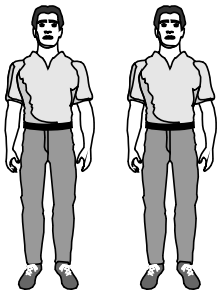
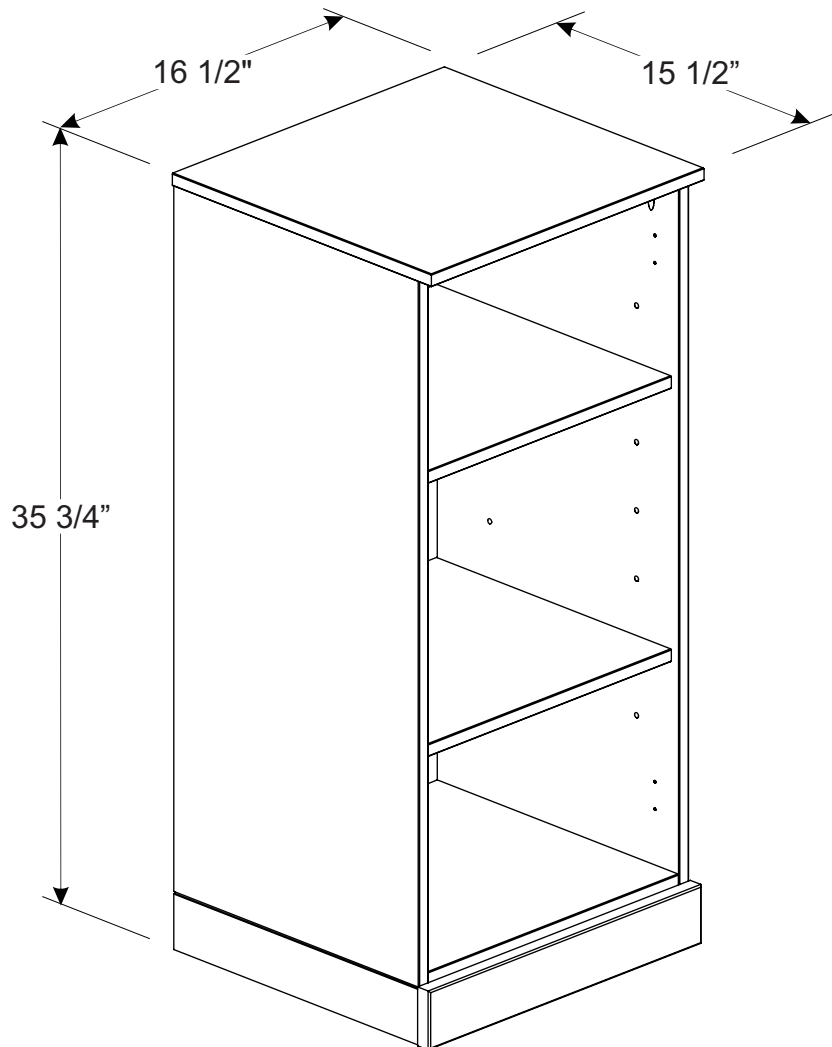


ASSEMBLY GUIDE

16.5" Unit

SKU 9101 - White
SKU 9103 - Mocha
SKU 9105 - Gray
SKU 9107 - Black
SKU 9108 - Teal
SKU 910-10 - Yellow

SKU 910-11 - Aqua
SKU 910-12 - Green
SKU 910-13 - Sage
SKU 910-14 - Beige
SKU 910-15 - Navy Blue
SKU 910-16 - Antique Blue



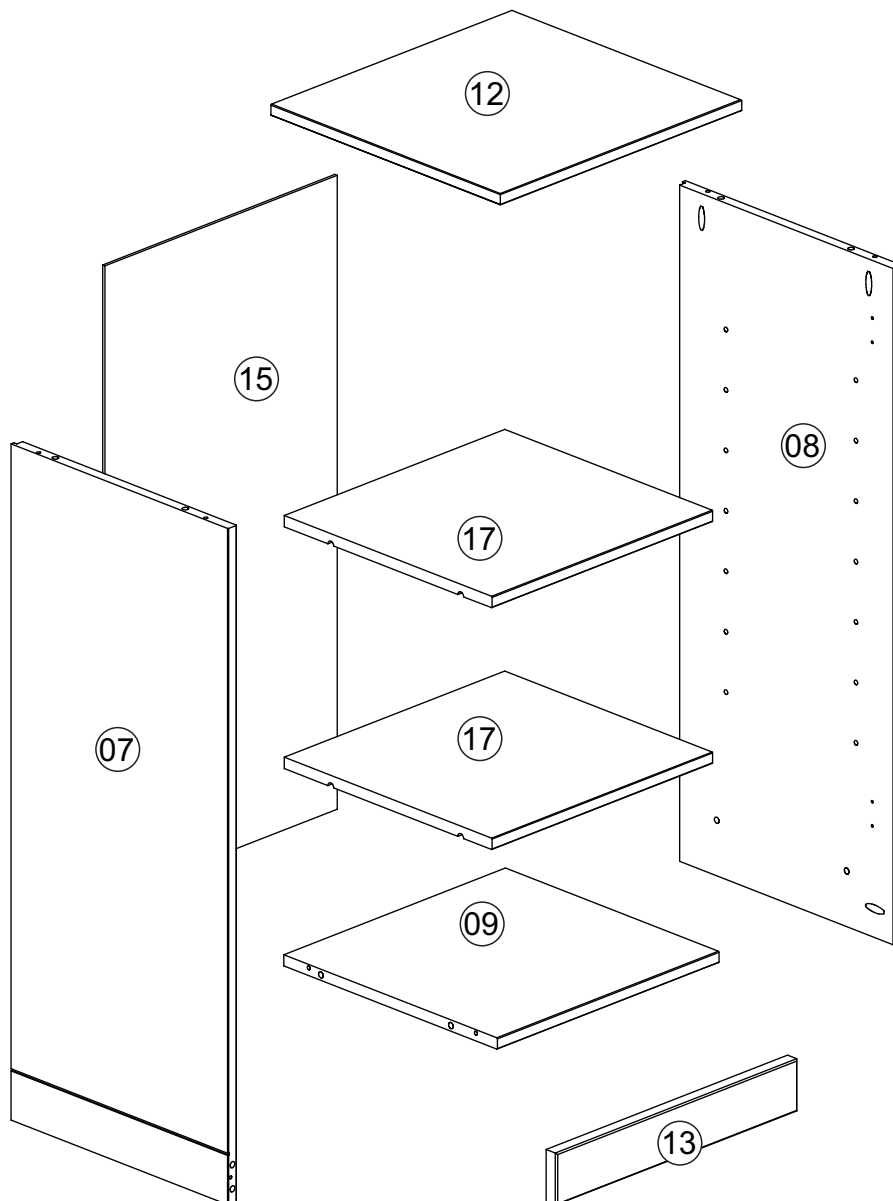
Before You Begin Assembly

- Carefully inspect the package contents. A complete parts checklist is provided below.
- If any parts are missing or damaged, please contact us at info@palaceimportsinc.com for assistance.



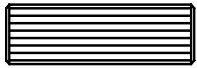
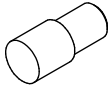

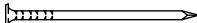
Assembly Tips

- Assemble the item on a flat, smooth surface. We recommend placing a blanket or protective covering underneath to prevent scratches.
- Use a power drill **only at a low-speed setting** to avoid damaging components.
- Assemble the product as close as possible to its final location to minimize the need for moving it later.
- Important: The hardware pack contains small parts that may pose a choking hazard.
Keep all small items out of reach of young children.


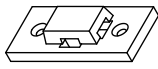

PARTS LAYOUT



Screws Are Illustrated at Actual Size for Accurate Reference

A1	 4,0x30	10+1
A44	 3,5x14	4+1
C2	 8,0x25	12+1
D4		08+1
D48	 31x13	02
G1	 10x10	30

TIPOVER RESTRAINT KIT

A47	 3,0x20	02+1
F8		02
F15	 300 - 11 3/4"	01



**WARNING:
CHOKING HAZARD**

Contains small parts - choking hazard.
Adult supervision is required during assembly.
Not suitable for children under 3 years of age.

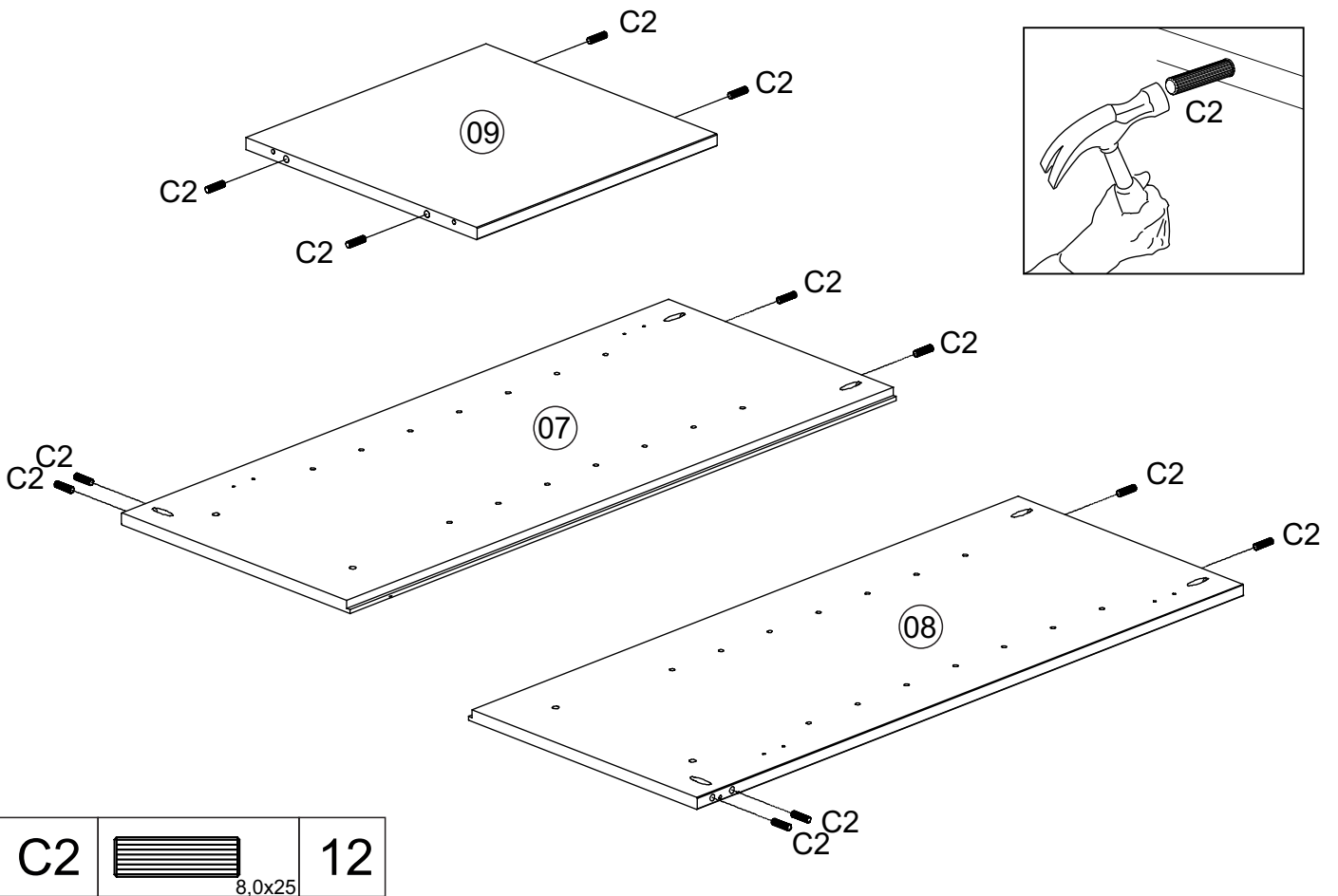


WARNING:

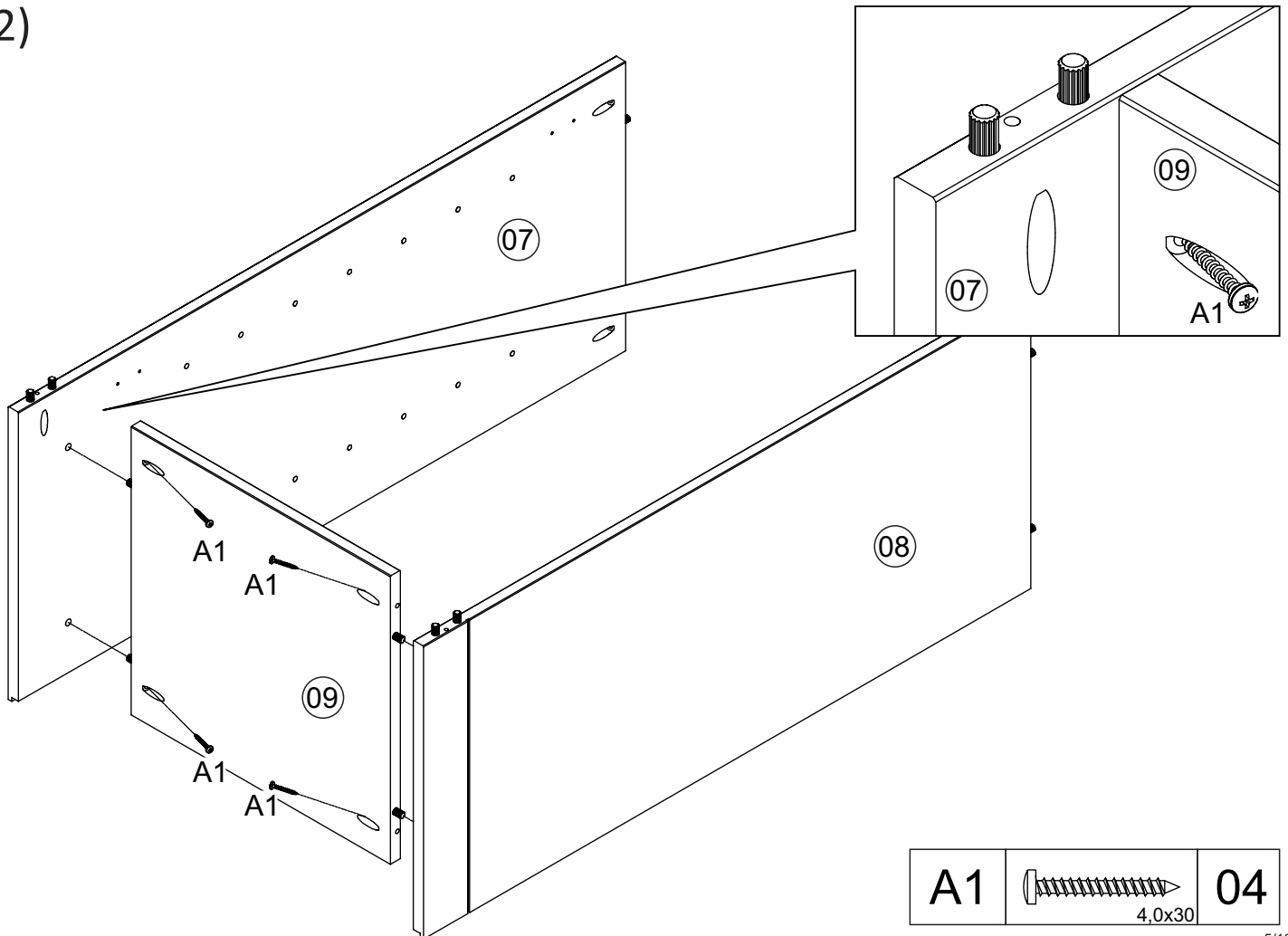
Important Safety Notice:

This furniture includes tip-over prevention hardware, which **MUST** be securely attached to the wall as outlined in the assembly instructions. Failure to do so may result in serious injury or death.

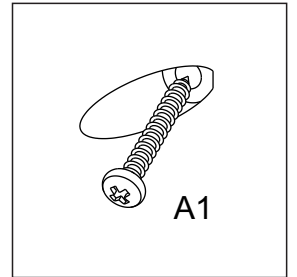
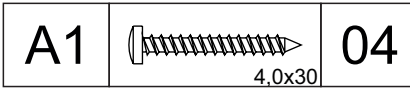
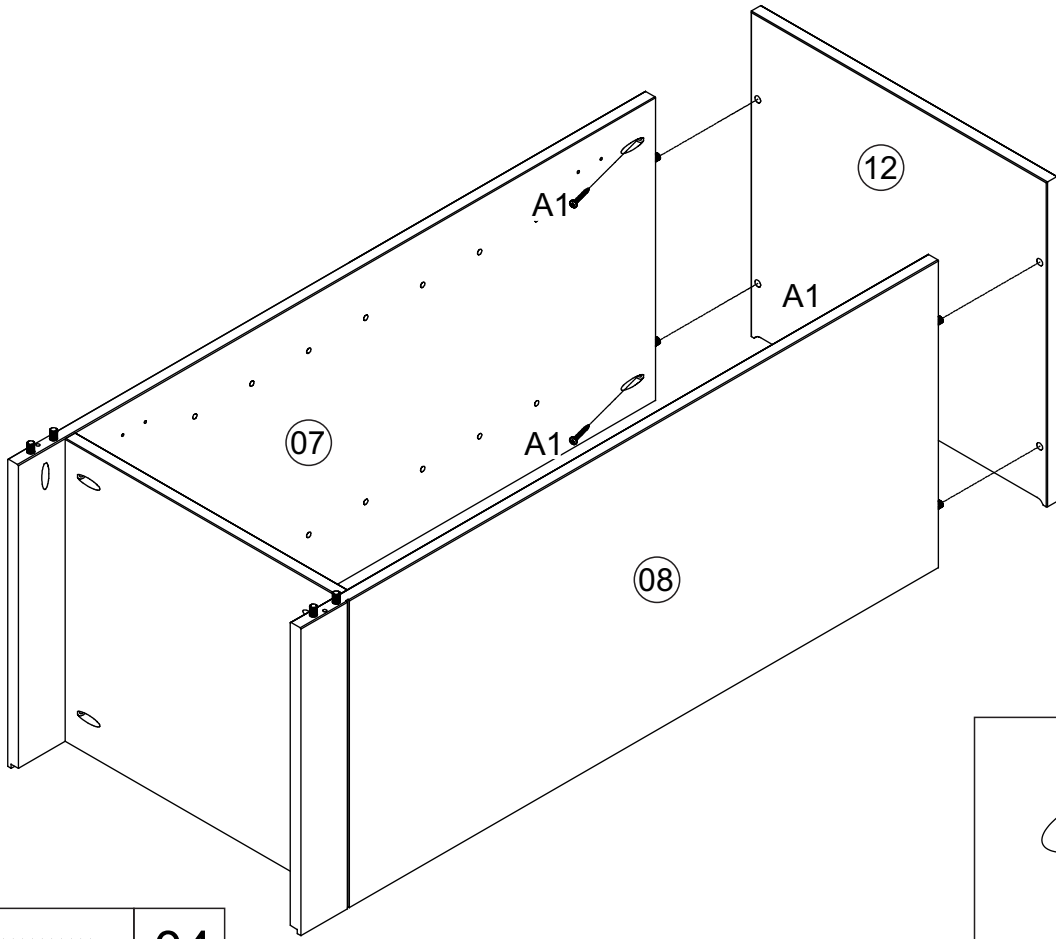
01)



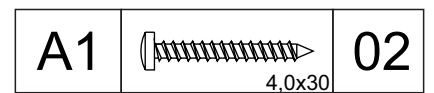
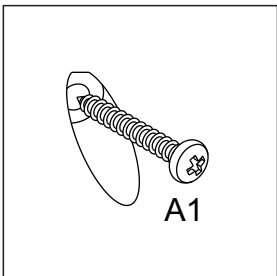
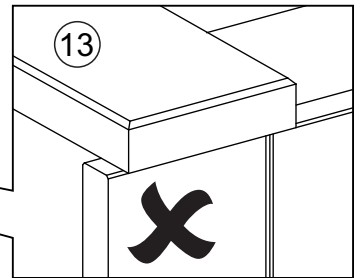
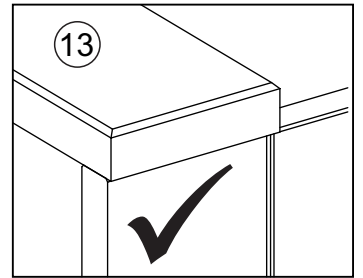
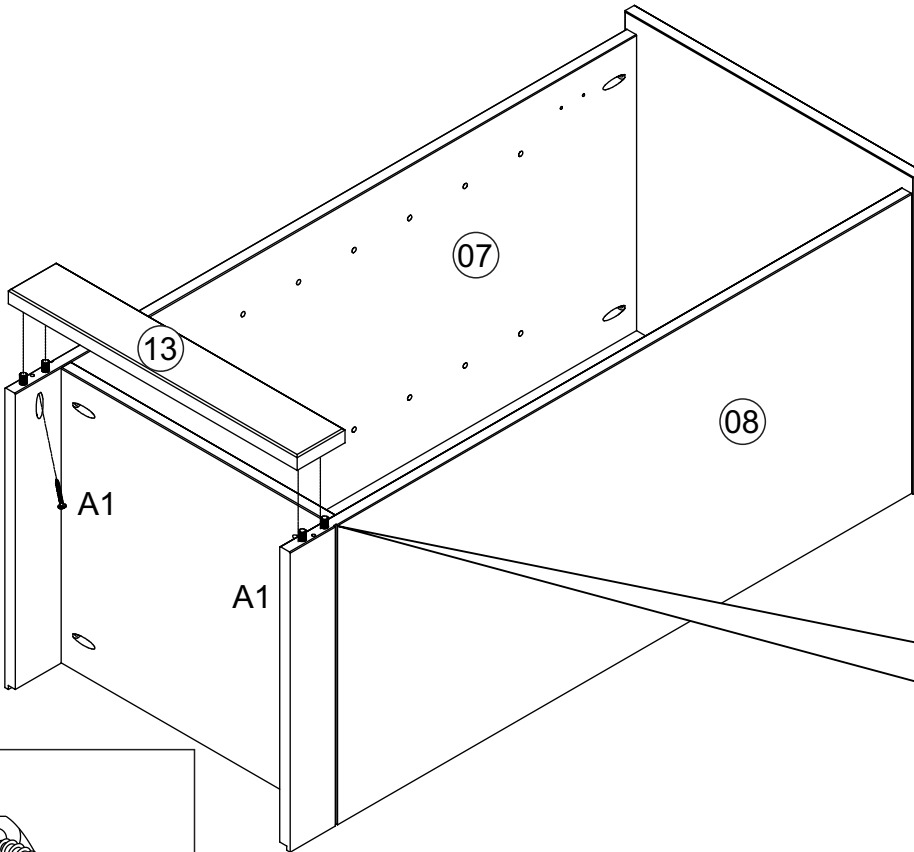
02)



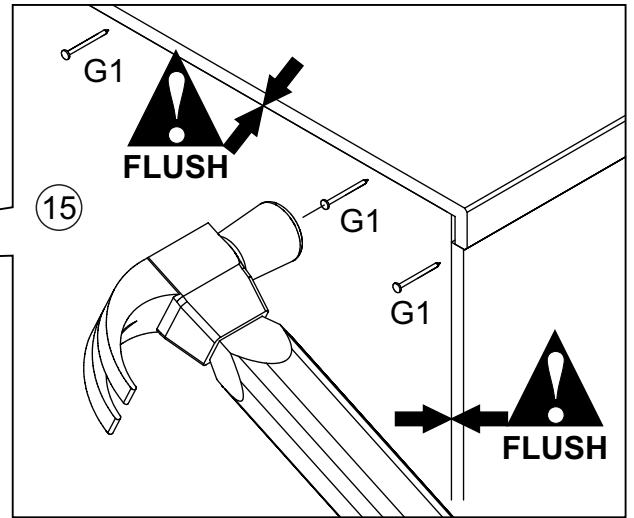
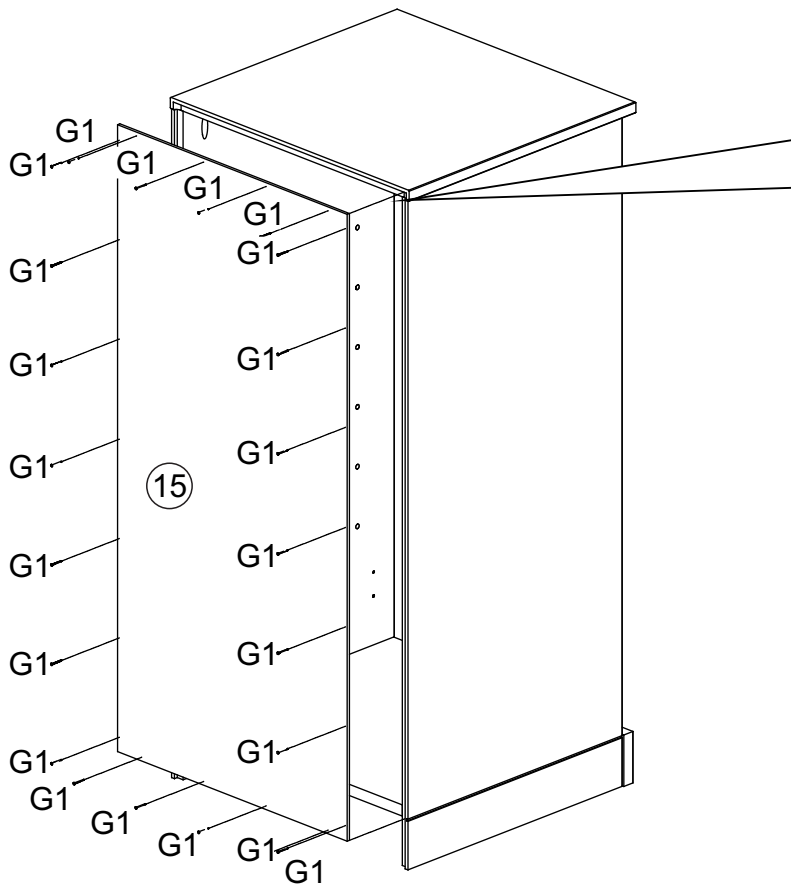
03)




04)

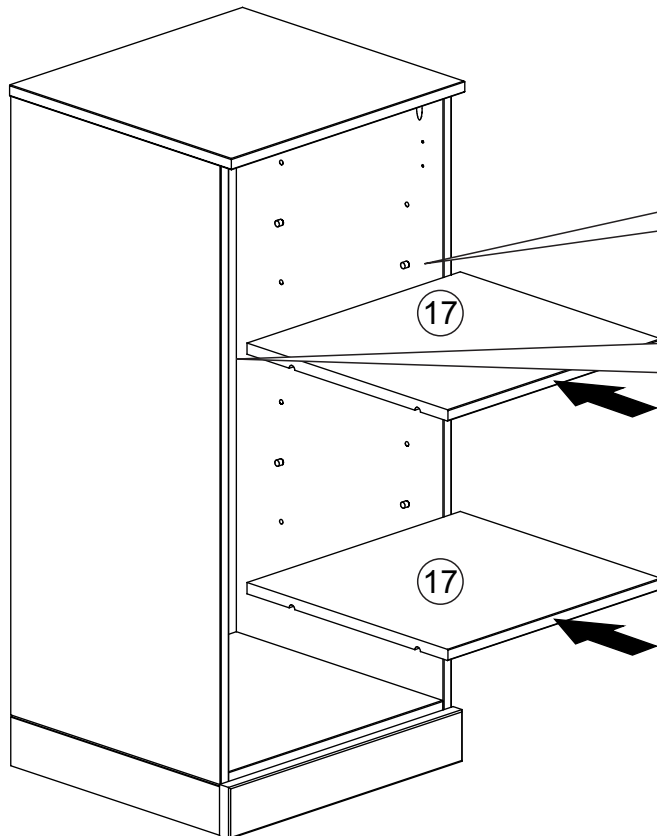


05)

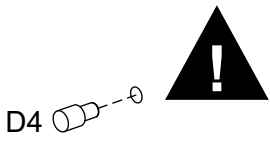


G1	 10x10	22
----	--	----


06)



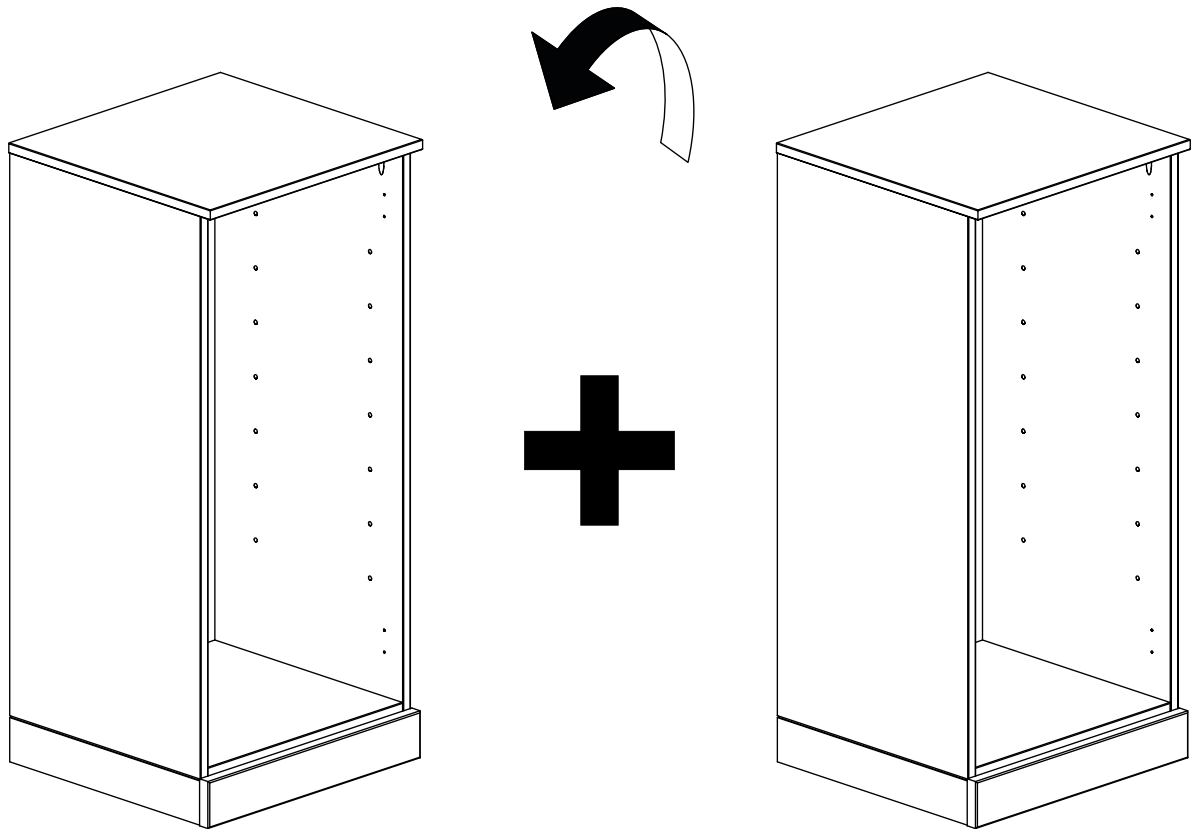
Select the desired shelf height and insert the metal pegs into the corresponding holes.



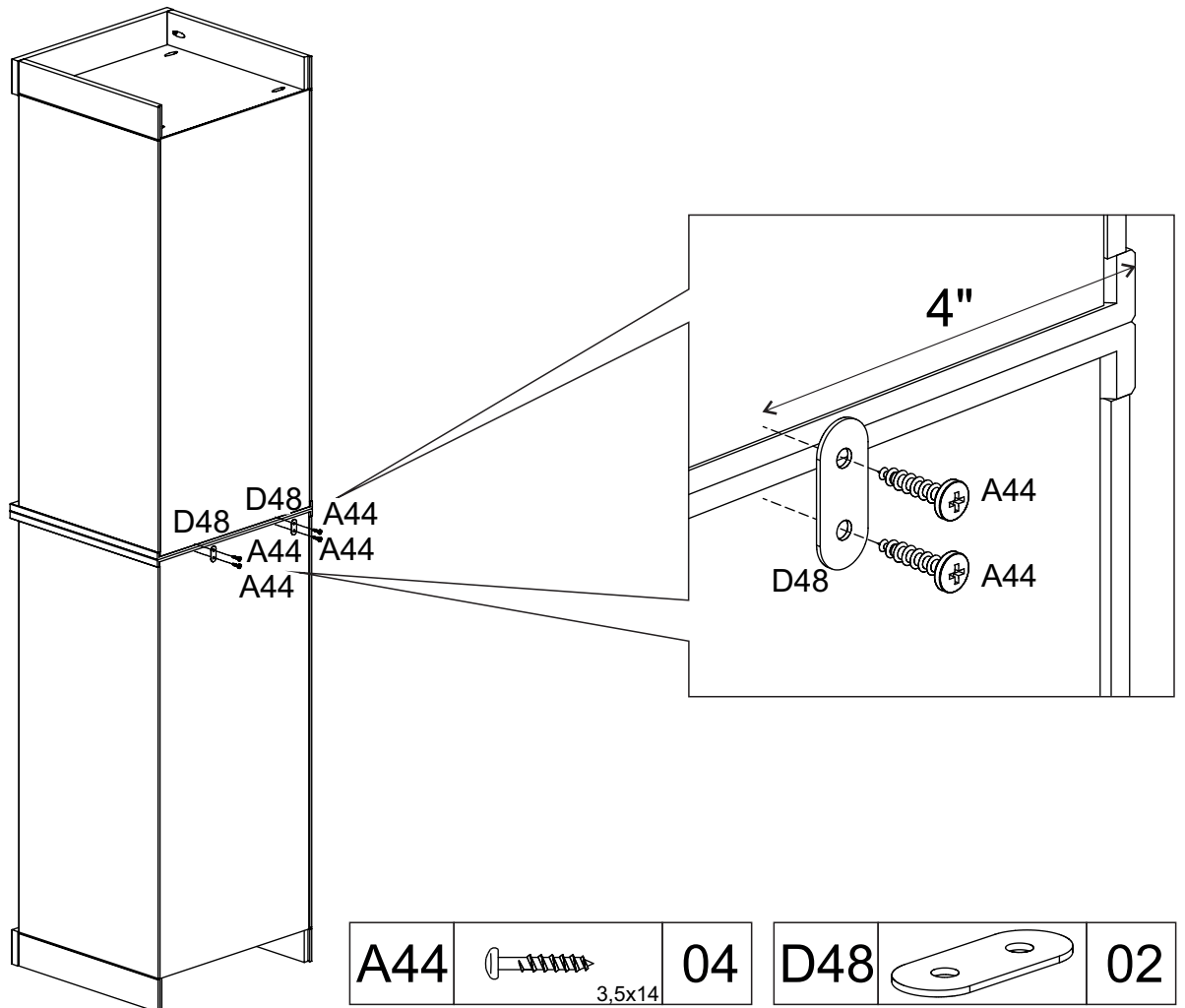
D4

D4		08
----	---	----

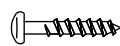
07) Stacking and Connecting Multiple Units



08)



A44



3.5x14

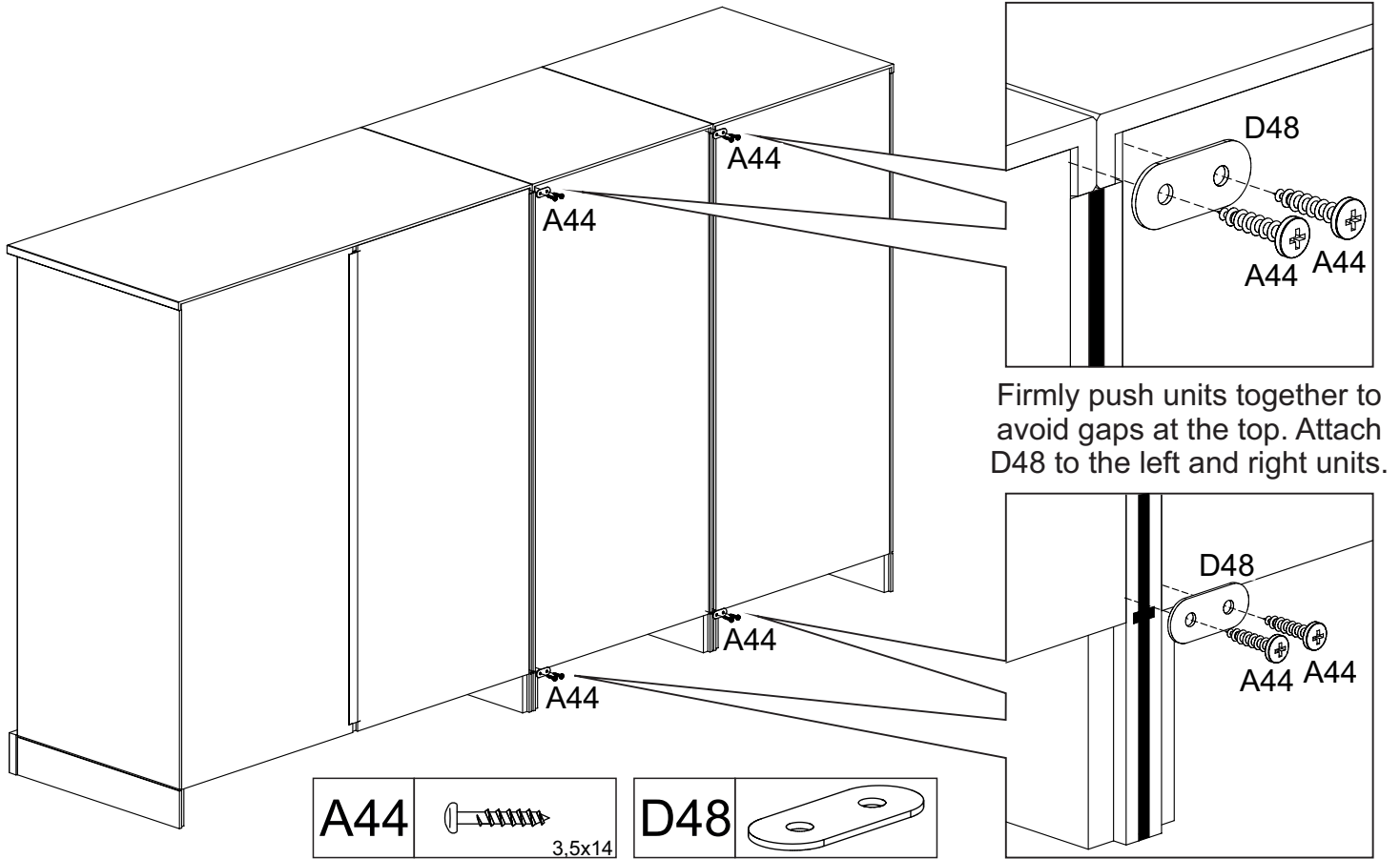
04

D48

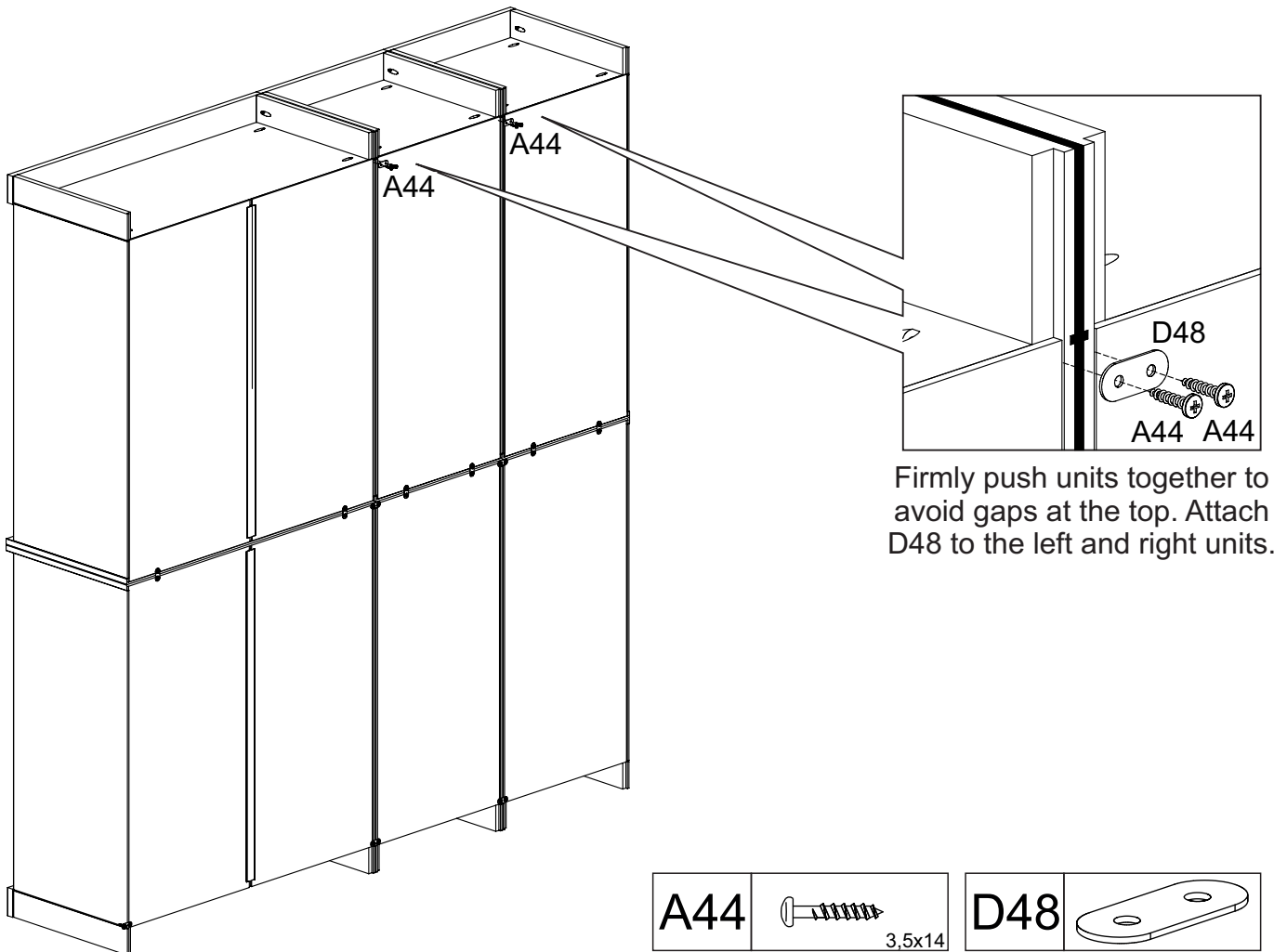


02

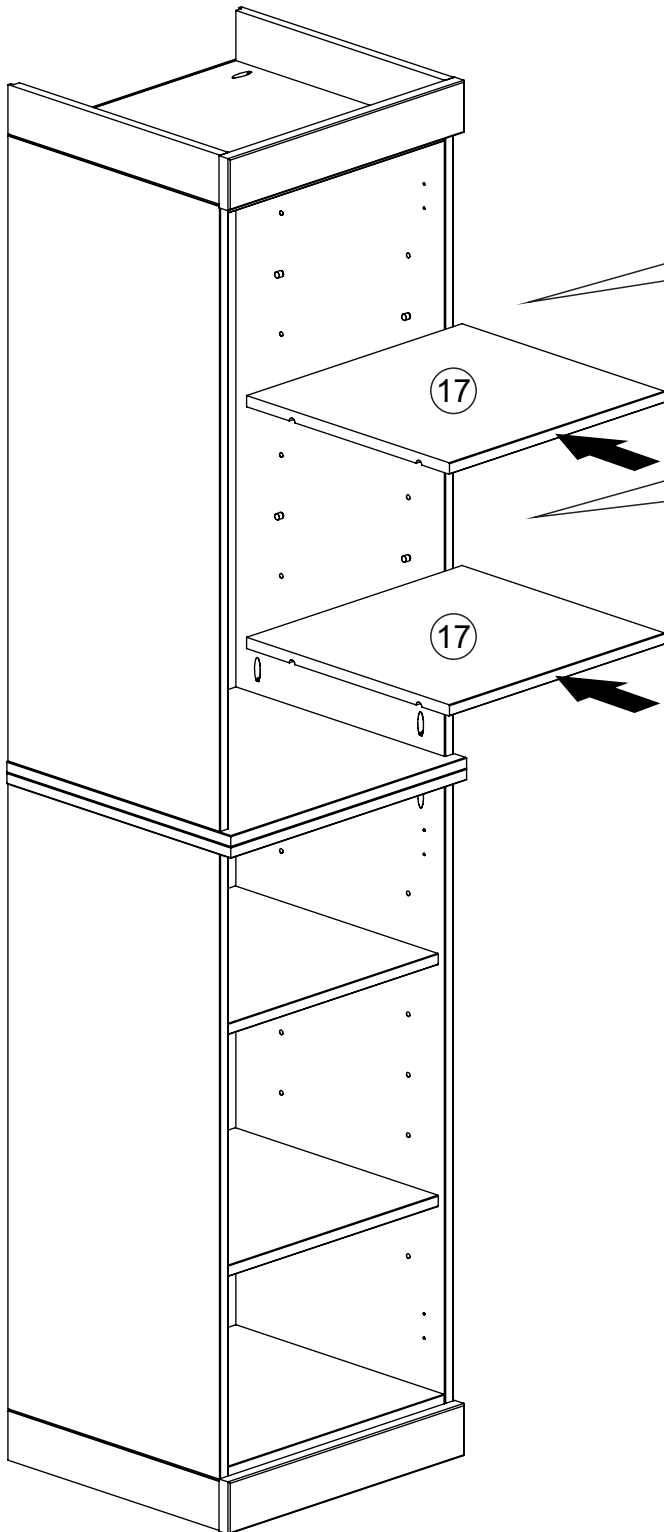
09) Connecting multiple units sideways.



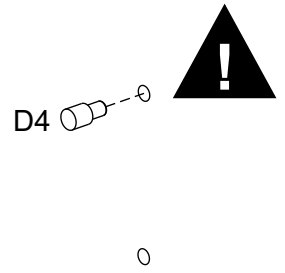
10)




11)

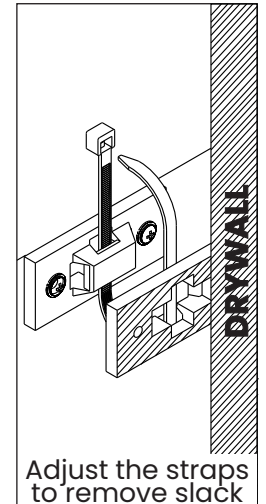
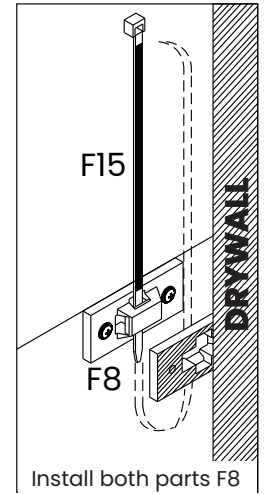
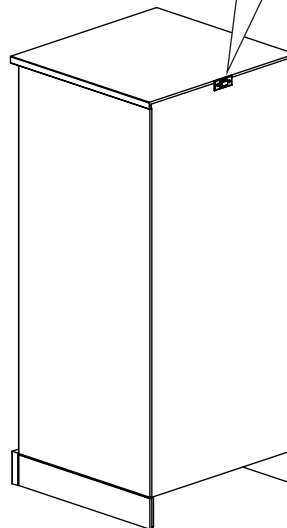
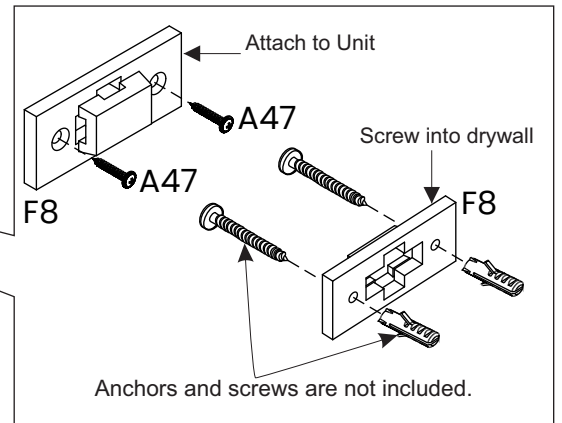
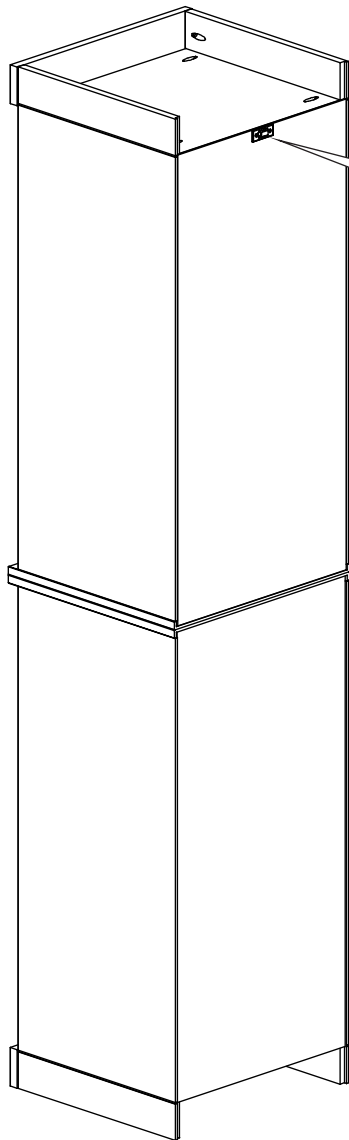
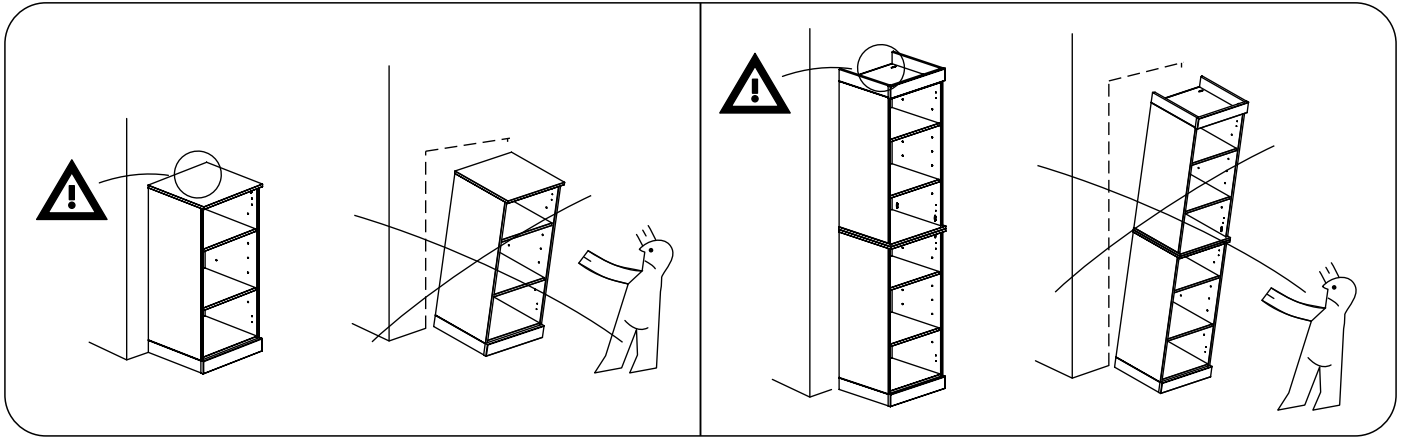


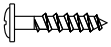
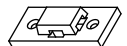

Select the desired shelf height and insert the metal pegs into the corresponding holes.



D4		08
----	---	----

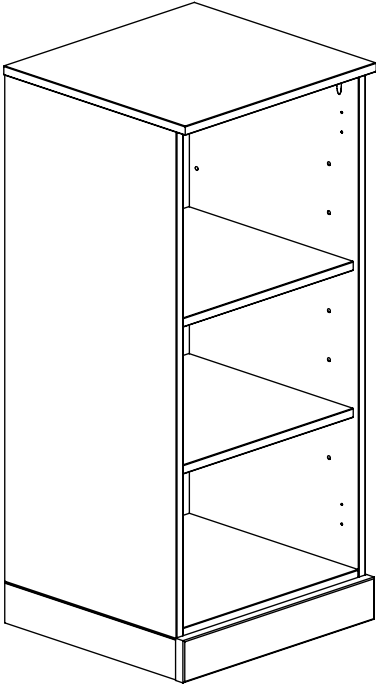
12) Tip-over Restraint Kit Installation



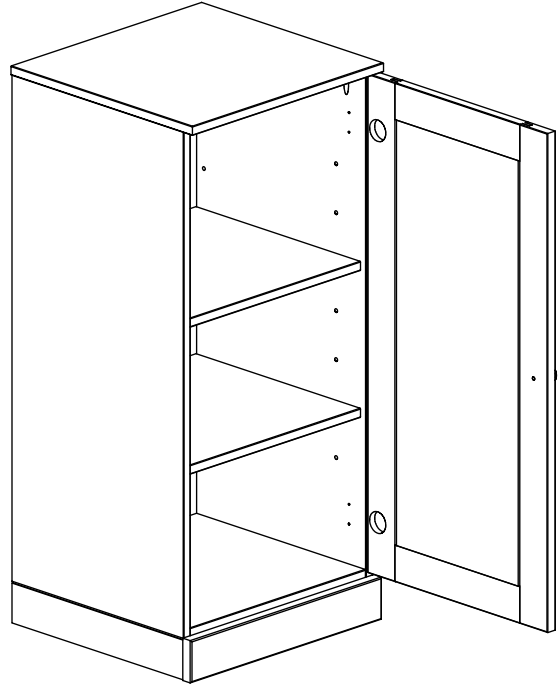
A47	 3,0x20	2
F8		2
F15		1

13) Multiple configurations are possible by purchasing additional modules

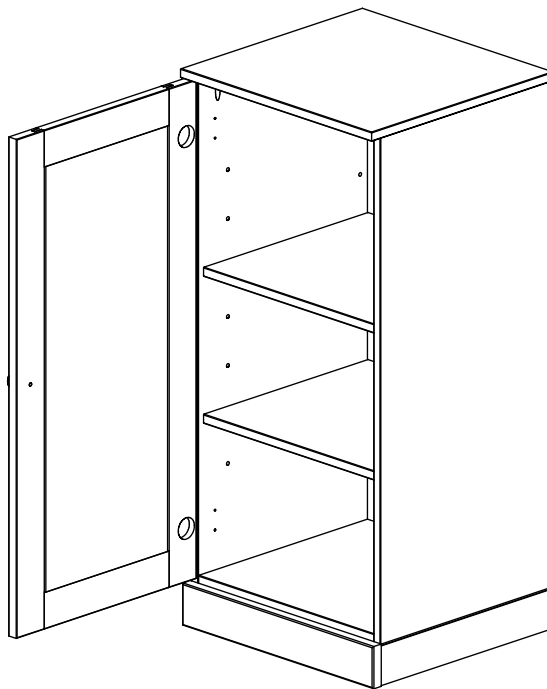
- 32" units
- raised panel doors
- clear glass doors
- frosted glass doors



16.5" Unit

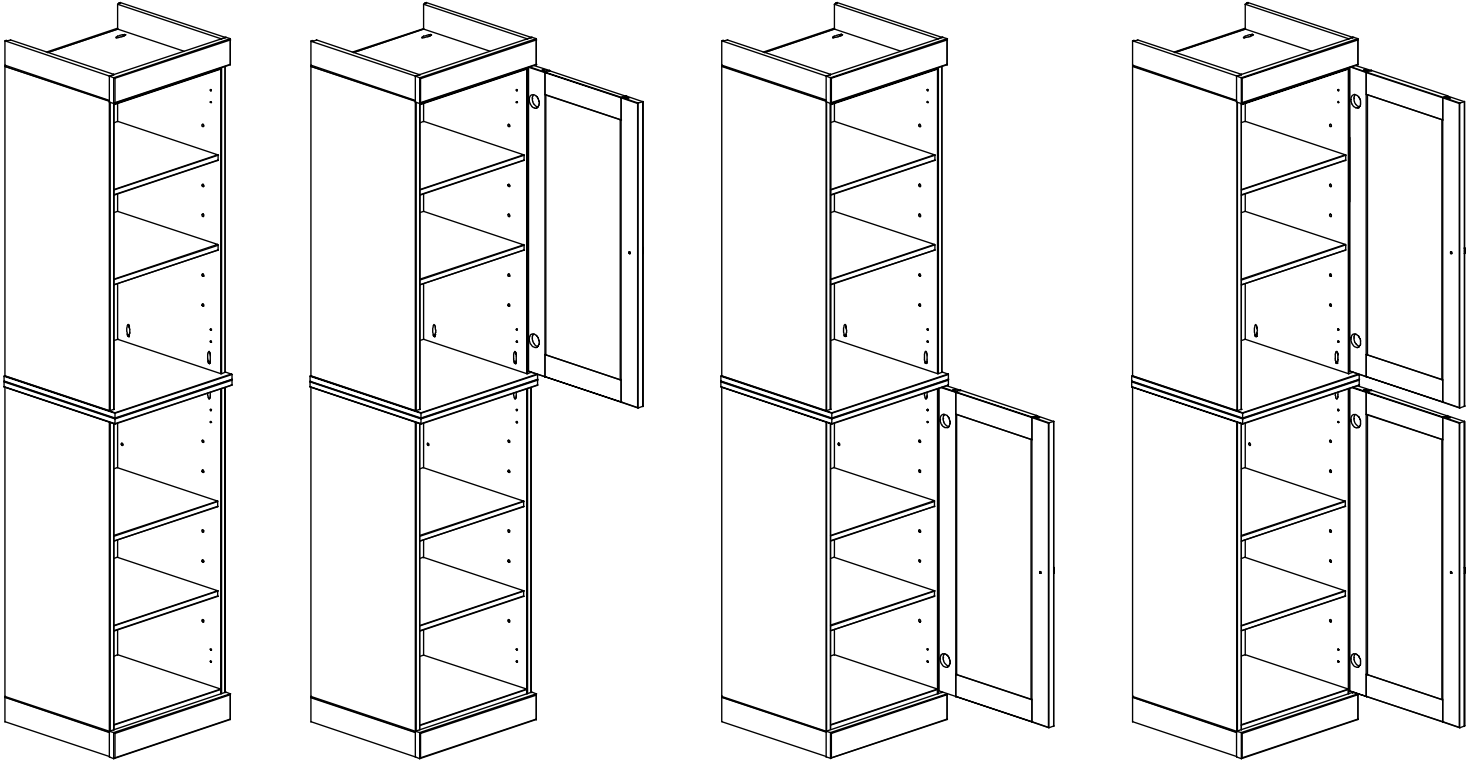


16.5" Unit + Door on the right



16.5" Unit + Door on the left

14) Additional possible configurations with the door on the right



15) Additional possible configurations with the door on the left

