

Warranty

This office chair come with a 1 year warranty from the date of purchase.
In any event that the product arriaves damaged or missing parts.
We are more than happy to provide you with replacement part.

Warming




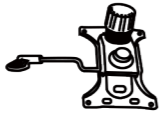
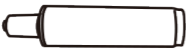



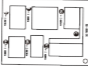



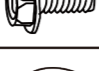


Please read the instructions carefully before assembly and
make sure you have the parts & hardware as identified on the list.

It is highly recommended to assemble the chair on a
soft clean surface to avoid scratches.

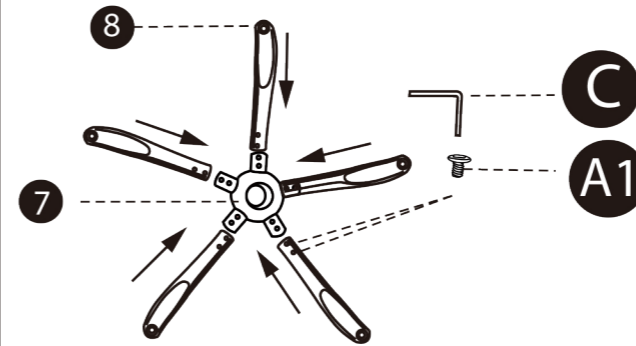
Scan the QR code for easy assemble.



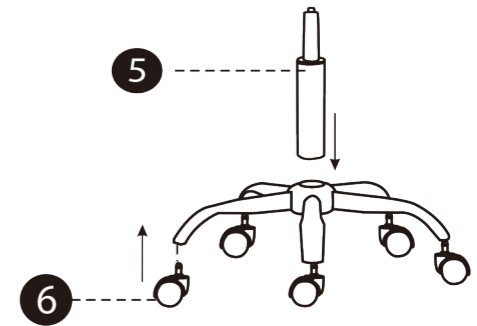
PARTS LIST

	Name	Part	Qty.
1	Back Cushion		1
2	Seat Cushion		1
3	Armrest		2
4	Mechanism		1
5	Gaslift		1
6	Castors		5
7	Base		1
8	Base Legs		5
9	Hardware Kit		1
A1	Small Bolts(12mm)		10
A2	Small Bolts(30mm)		4
A3	Big Bolts(30mm)		4
A4	Big Bolts(20mm)		4
B	Plastic Caps		4
C	Allen Key		1

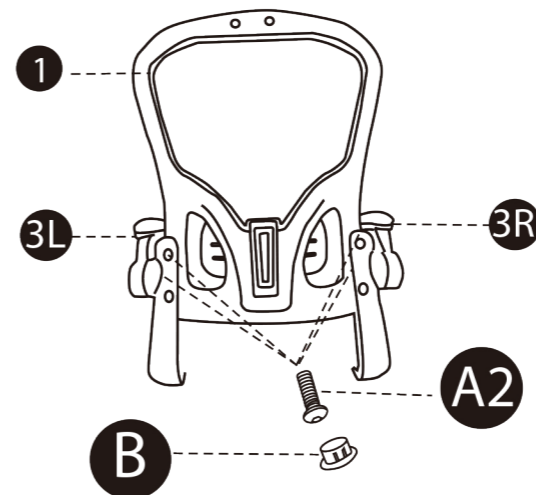
Step 1: Please insert base leg(part 8) into the base (part 7) and tighten up all the bolts.



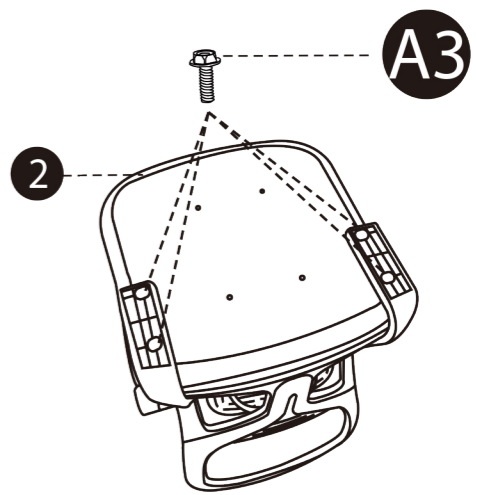
Step 2: Attach part 5 to part 7, attach part 6 to part 8 completely.



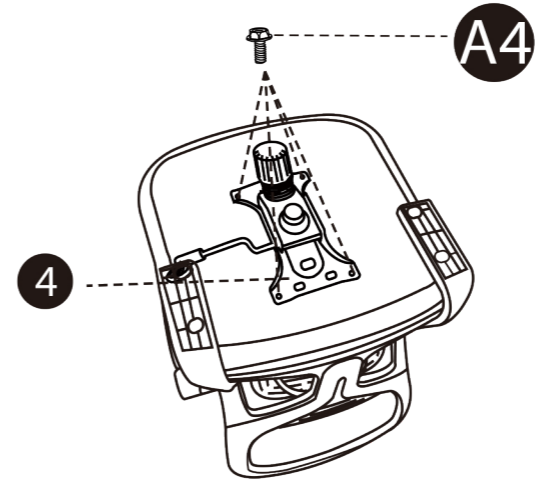
Step 3: Please put armrest(part 3) to the back cushion (part 1) and insert the screw into the assembly hole, tighten up all the bolts.



Step 4: Please put the seat cushion(part 2) with the armrest(part 3) and tighten all the bolts.



Step 5: Please put mechanism(part 4) on the seat cushion(part 2) and tighten up all the bolts.



Step 6: Please put the up part on the below part completely.

