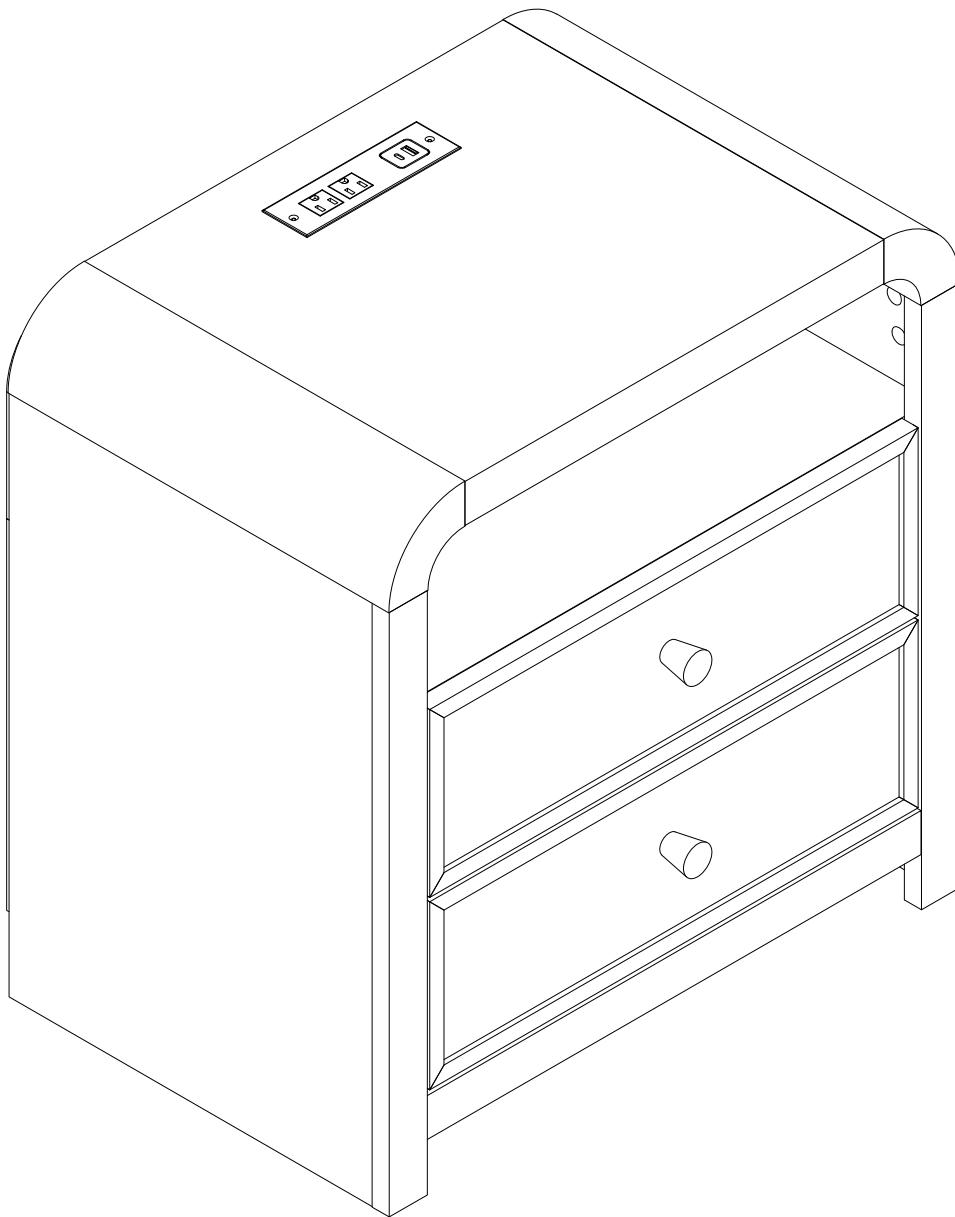


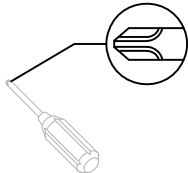
# US519

## Assembly Instructions

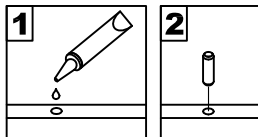


# General Assembly Guidelines

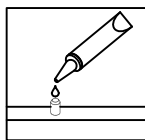
- I. Ensure that all parts and hardware are available before beginning assembly.
- II. Follow each step carefully to ensure the proper assembly of this product.
- III. Two people are recommended for ease in the assembly of this product.
- VI. A Phillips head screwdriver is required for the assembly of this product .



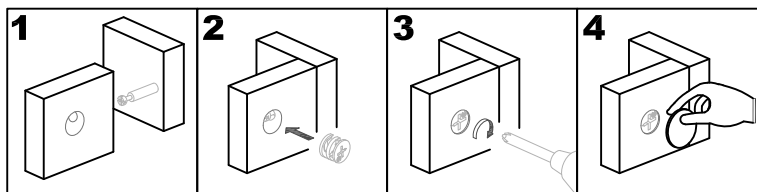
- V. The provided glue is to secure wood dowels in place . When first inserting dowels , locate the appropriate hole for the dowel , place a small amount of glue in the hole and insert the dowel . Wipe away excess glue immediately.



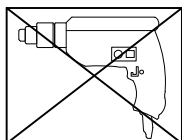
In future assembly steps when dowels are necessary to attach assembly parts together , place a small amount of glue on the end of the dowel before attaching parts together . Wipe away excess glue immediately.



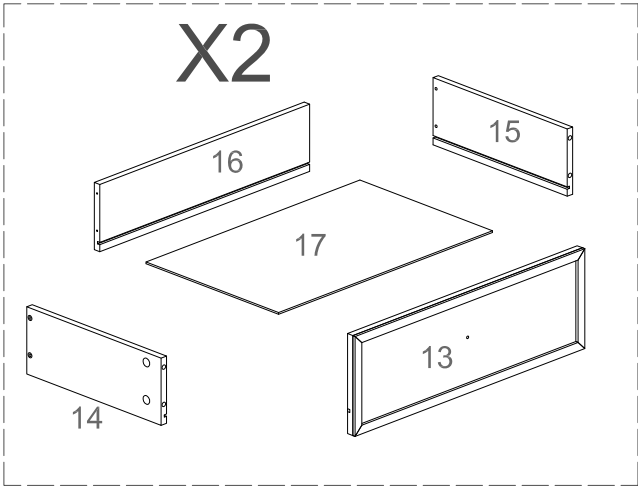
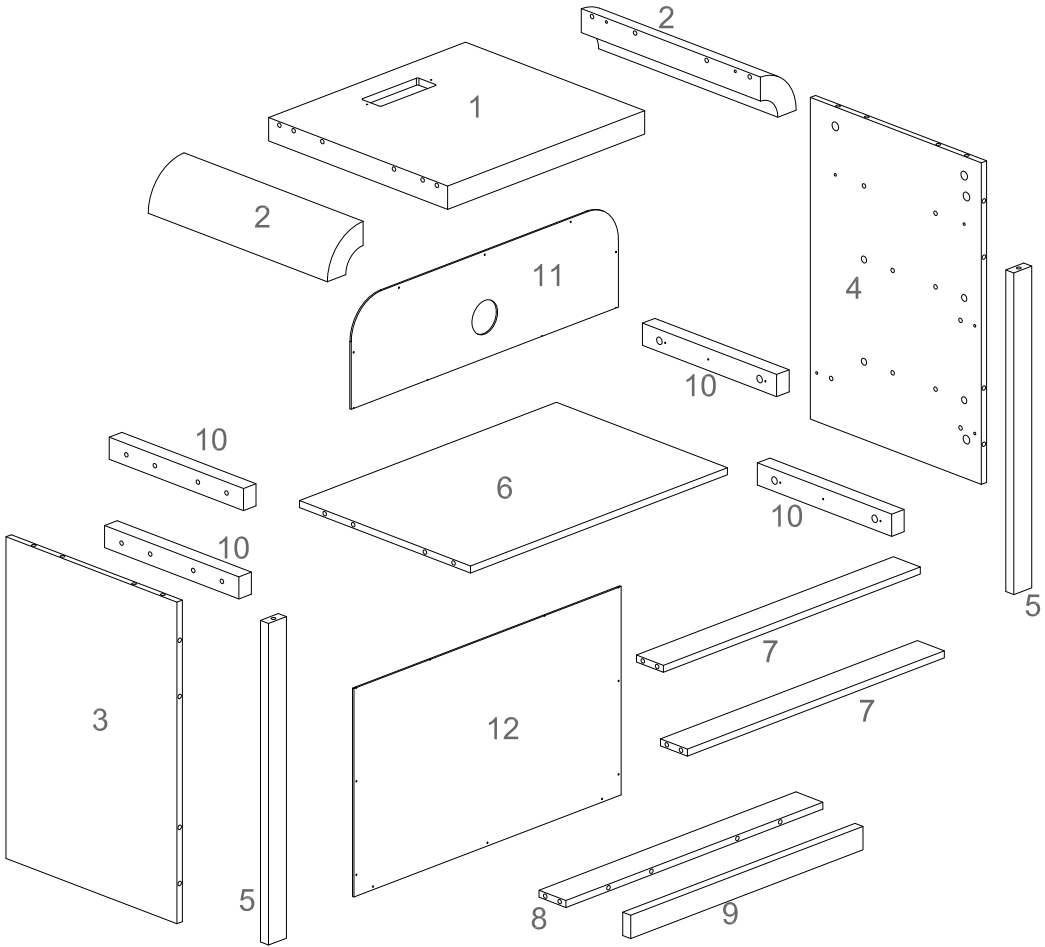
- VI. **HOW THE KNOCK DOWN (KD) ASSEMBLY SYSTEM WORKS**
  - 1.Screw the Cam Bolt into the pre-drilled hole on the panel. Make sure Cam Bolt goes into the pre-drilled hole on the end of panel for Cam Lock.
  - 2.Insert the Cam Lock into the pre-drilled large hole on the panel. Make sure the arrow on the face of Cam Lock points towards Cam Bolt.
  - 3.Take a Phillips screwdriver and rotate the Cam Lock clockwise to lock the Cam Bolt.
  - 4.Use the sticker to conceal the Cam.







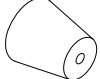







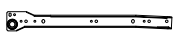
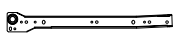


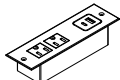

- VII. Power tools should not be used to assemble this product .

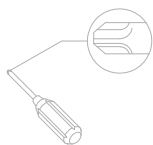


# Parts List



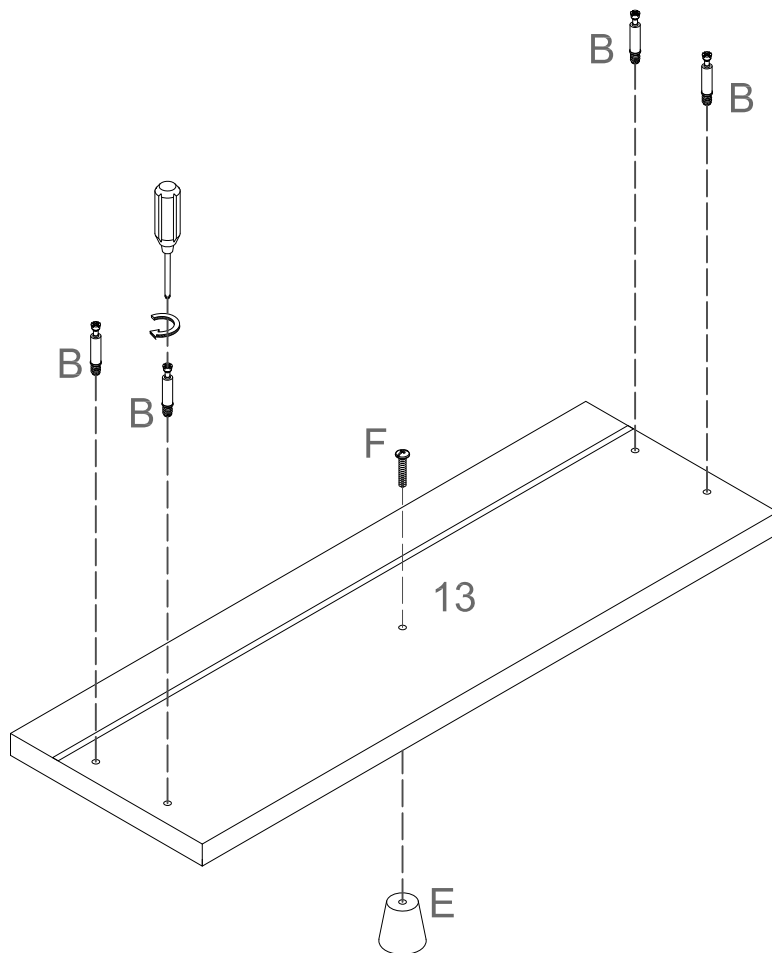
# Hardware List

A		Ø8x30mm	Dowel	38 pcs
B		Ø7x40mm	Cam Bolt	32 pcs
C		Ø15x10mm	Cam Lock (Small)	32 pcs
D		Ø30mm	Cover	31 pcs
E			Handle	2 pcs
F		M4x22mm	Handle bolt	2 pcs
G		Ø3.5x15mm	Screw	16 pcs
H		Ø3x12mm	Screw	26 pcs
I		Ø4x32mm	Screw	8 pcs
J		M6x30mm	Bolt	8 pcs
K			Flat washer	8 pcs
L		Ø4x32mm	Allen Wrench	1 pc
M		12"	Left cabinet member	2 pcs
N		12"	Right cabinet member	2 pcs
O		12"	Left drawer runner	2 pcs
P		12"	Right drawer runner	2 pcs
Q			Power Cord W/USB	1 pc
R			Glue Tube	1 pc



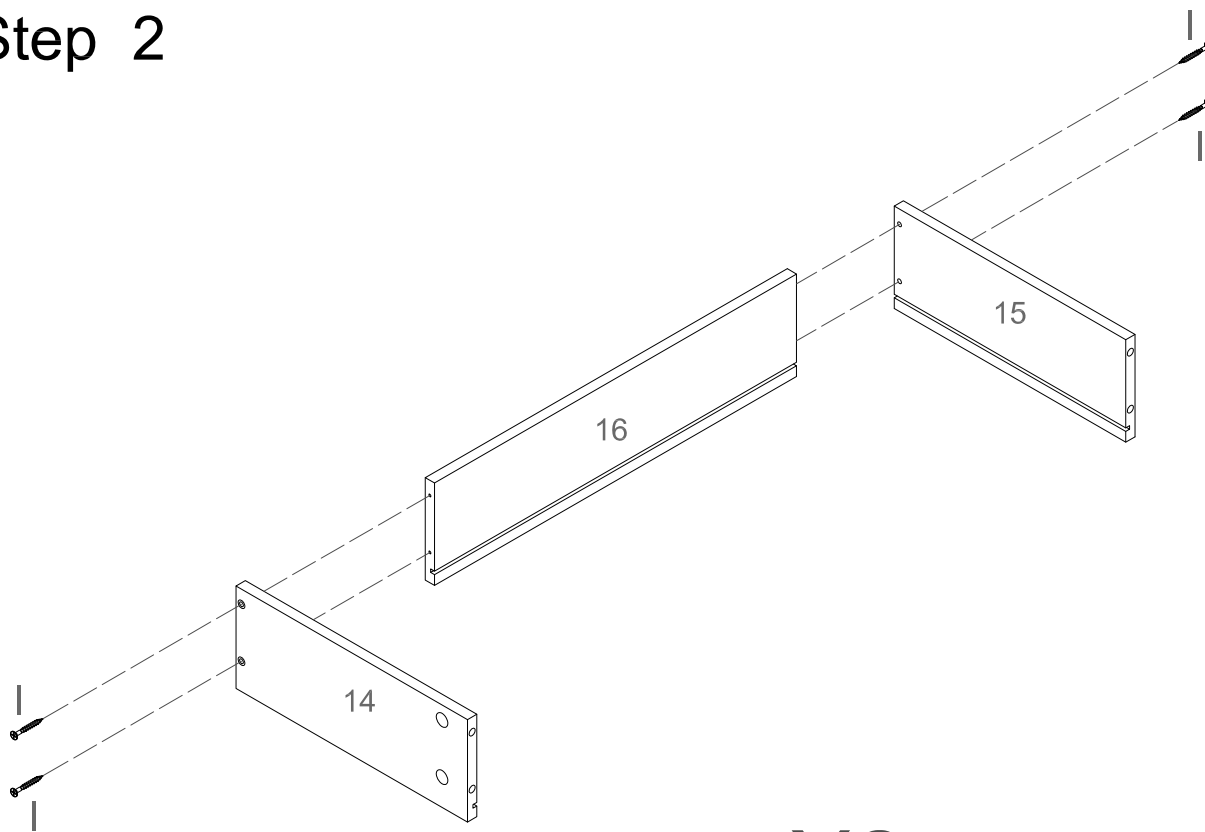
Philips head screwdriver required for assembly  
(not included)

# Step 1



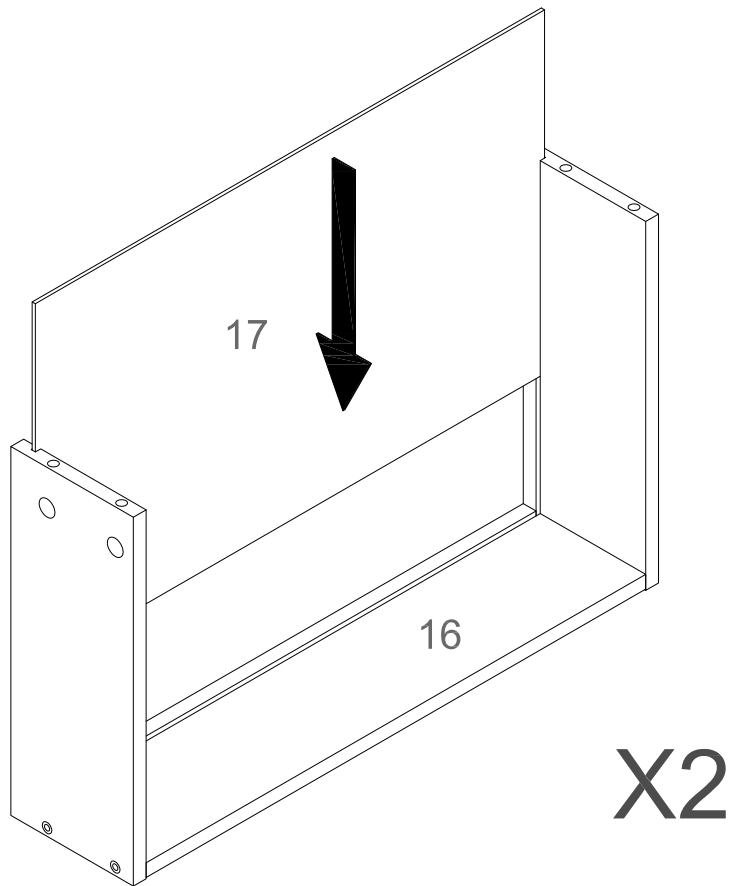
X2

# Step 2

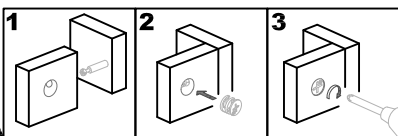
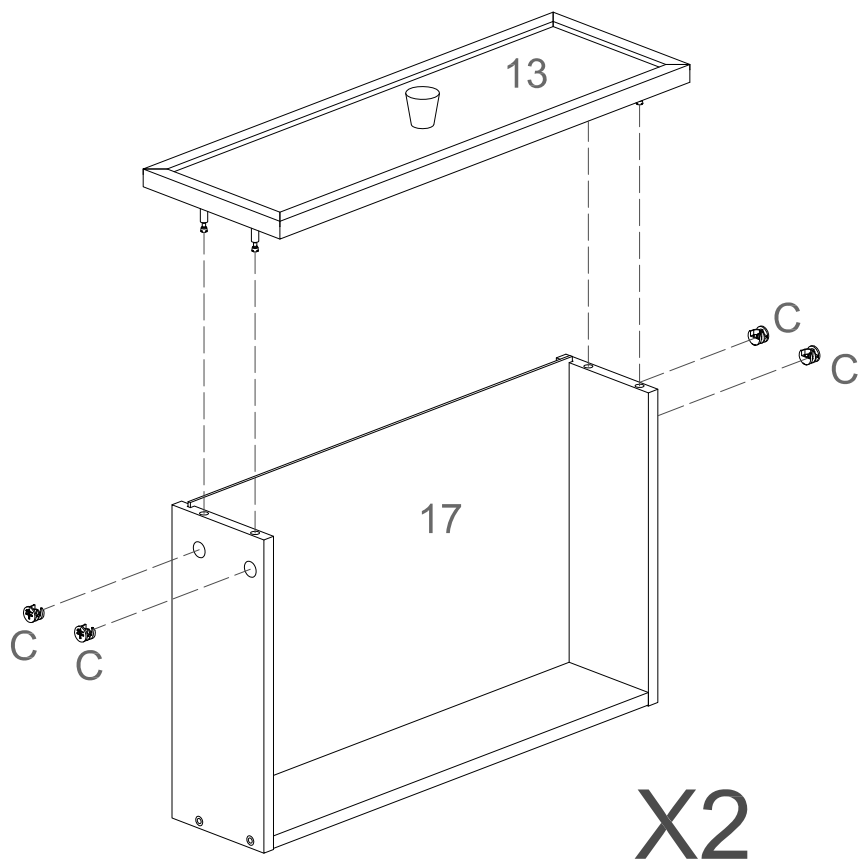


X2

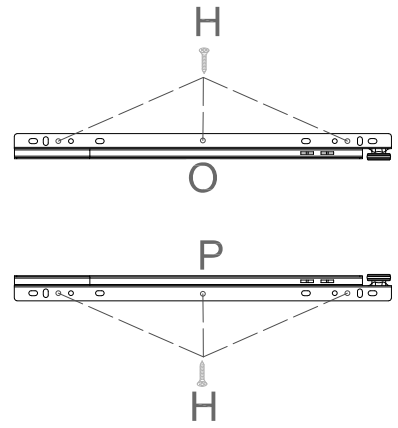
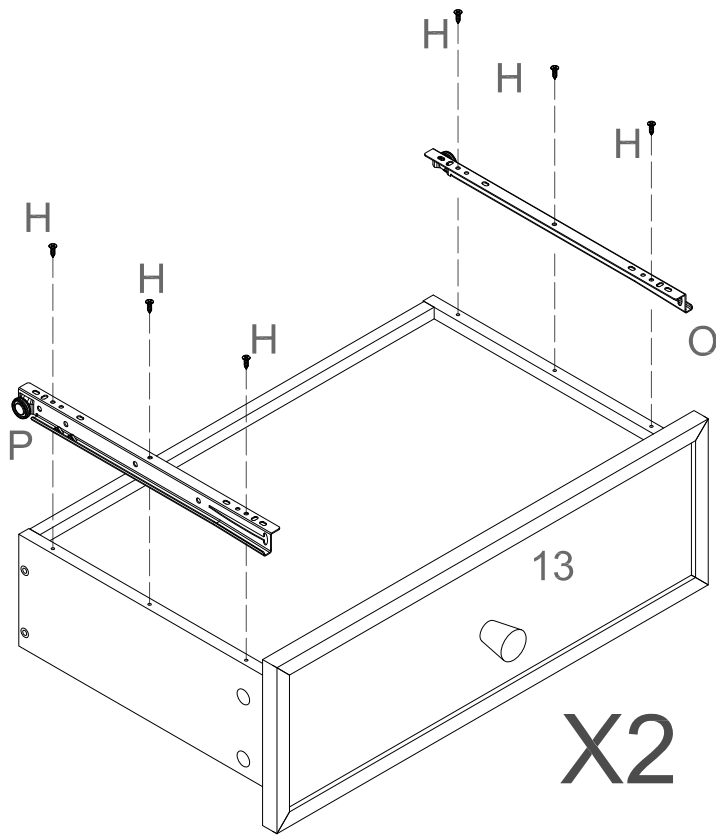
### Step 3



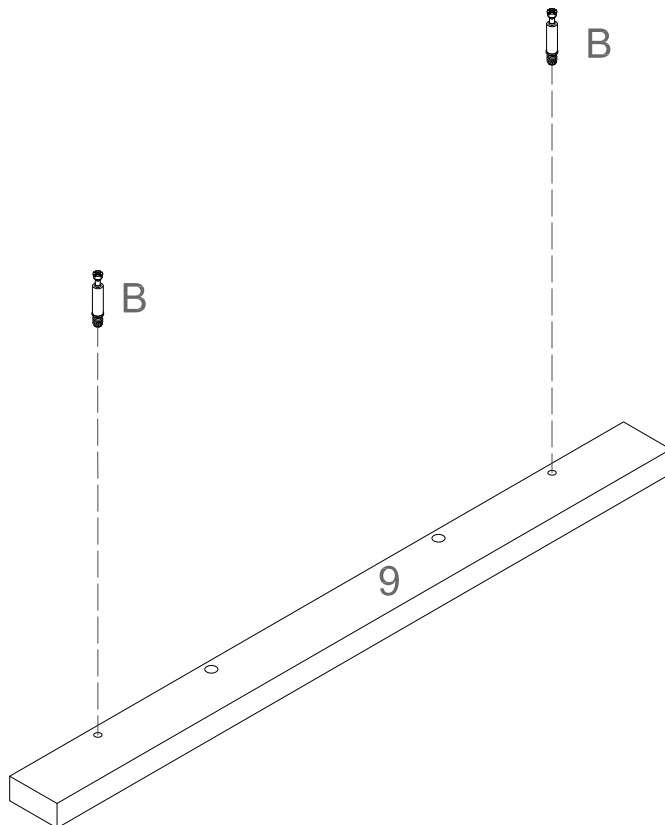
### Step 4



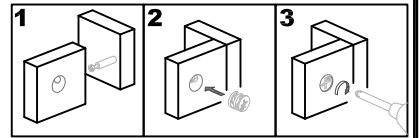
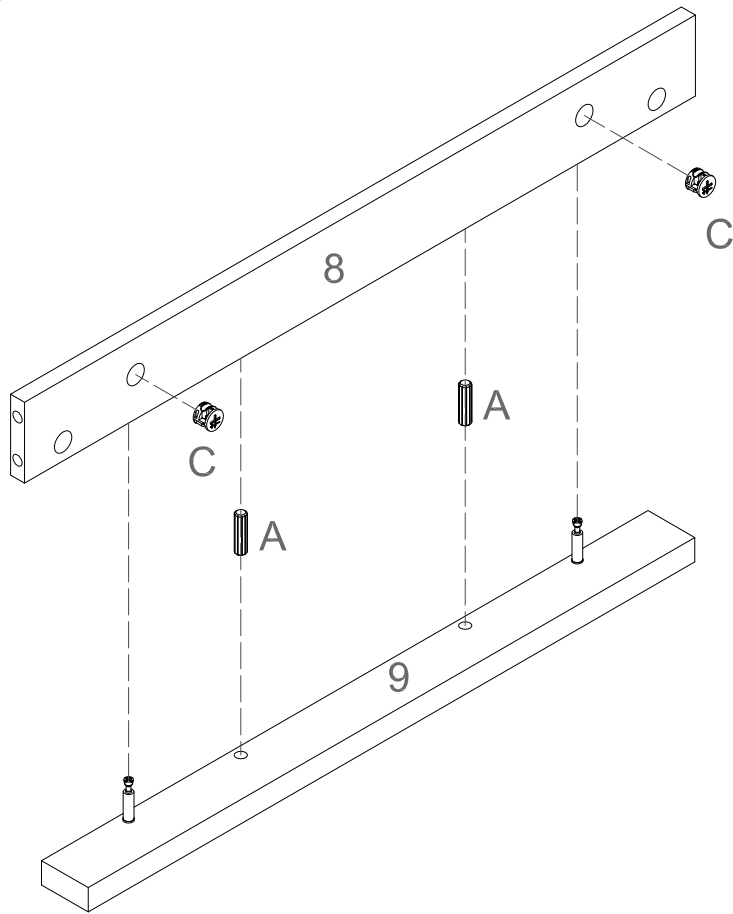
# Step 5



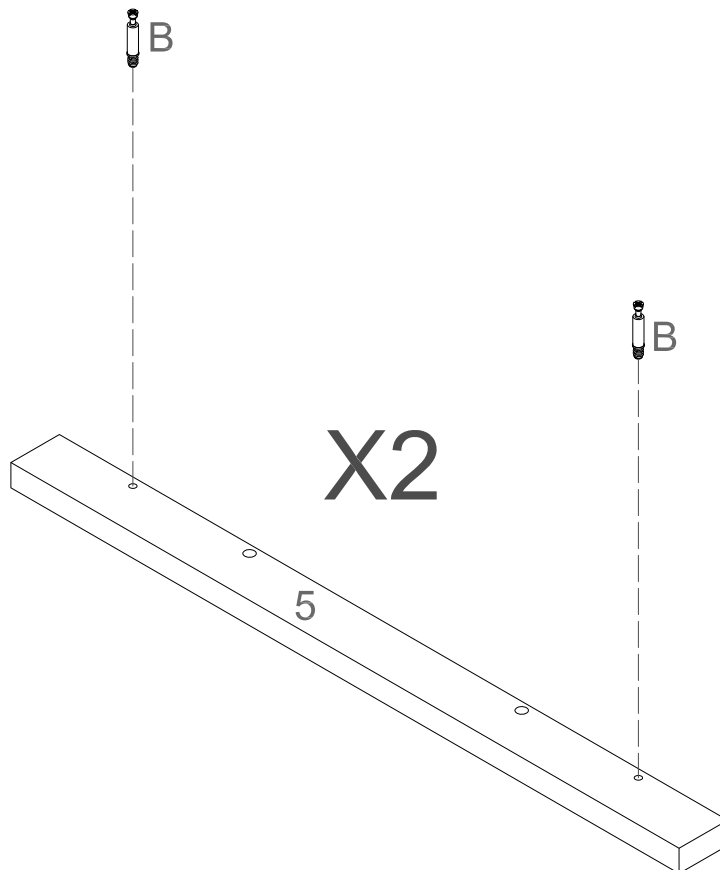
# Step 6



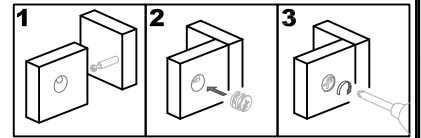
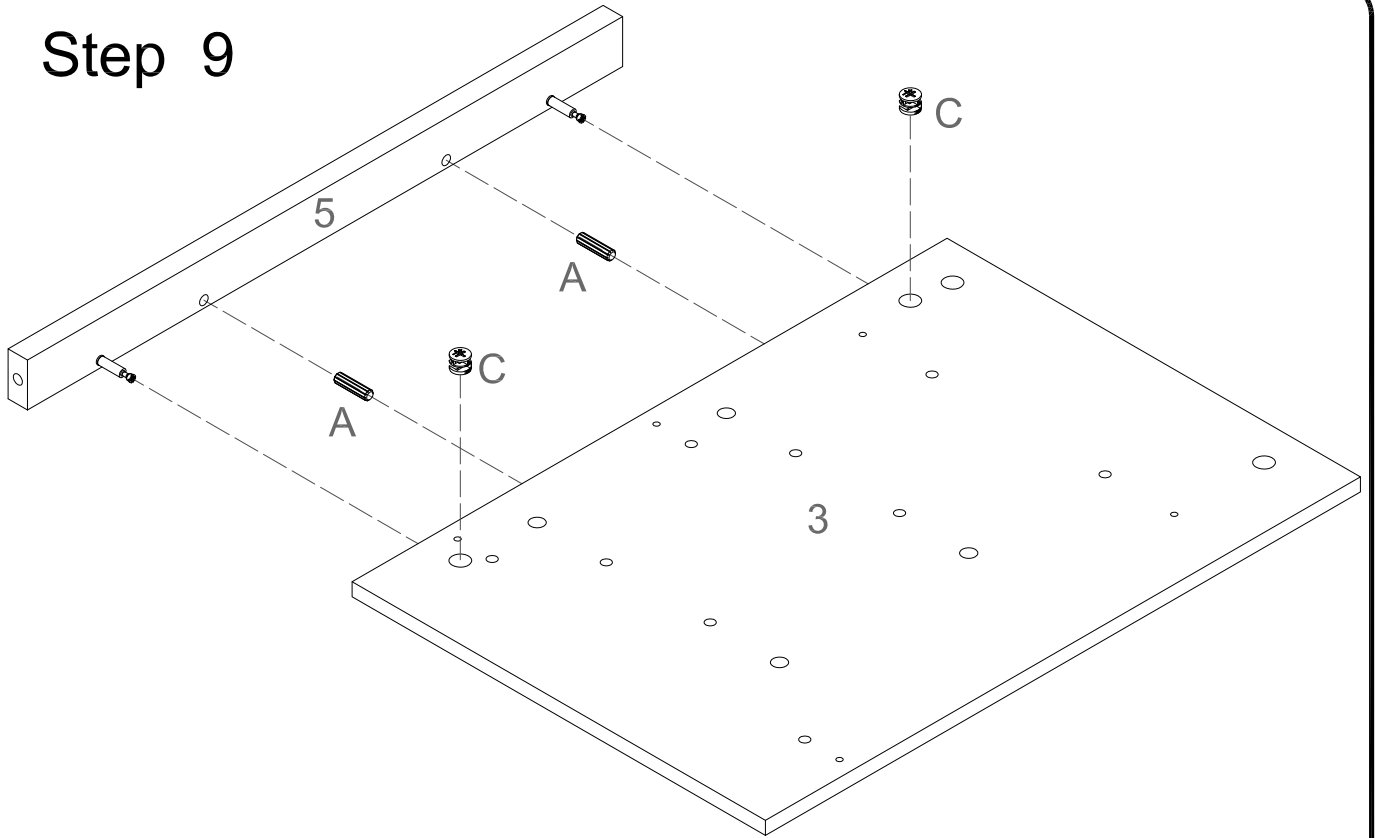
# Step 7



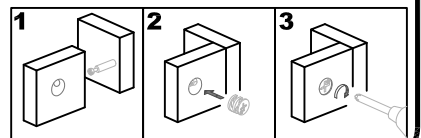
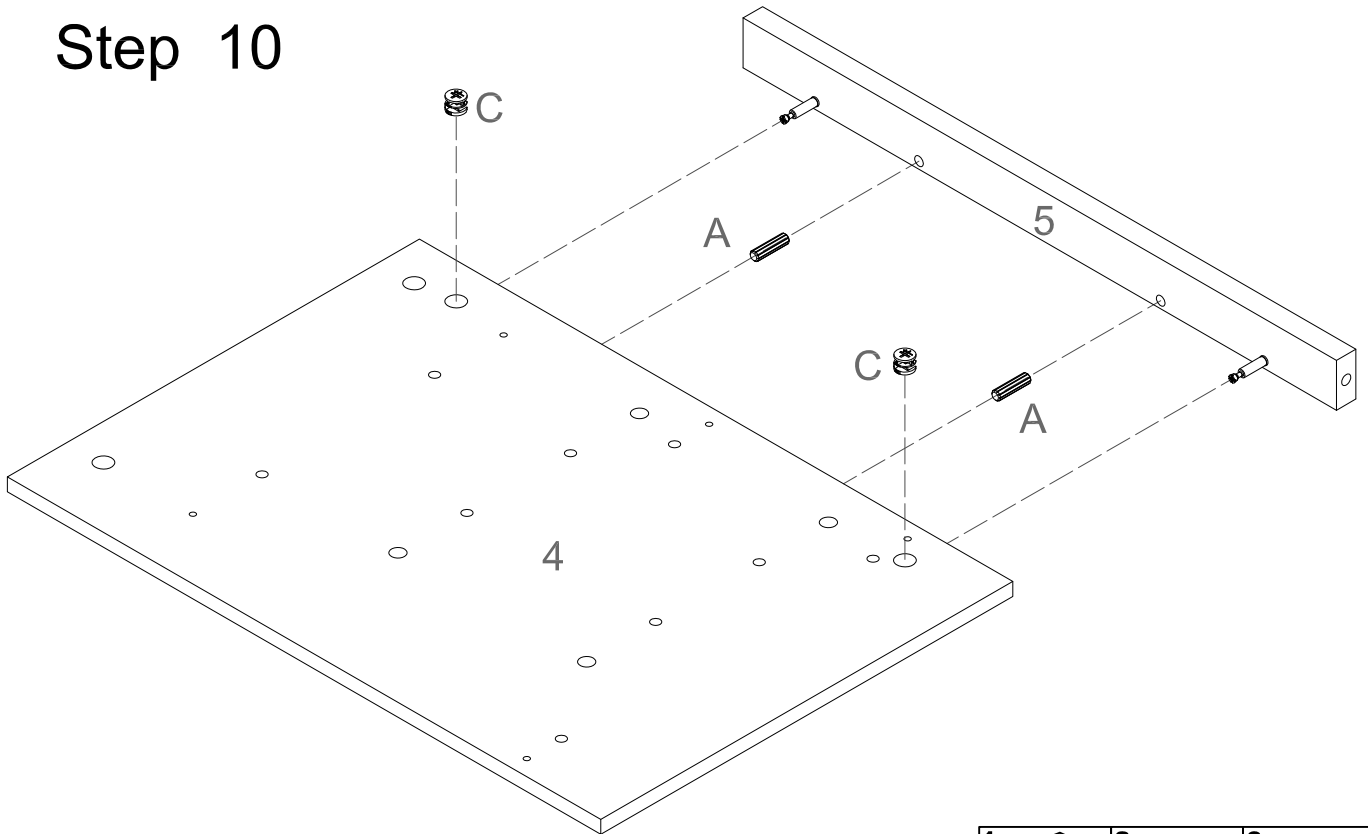
# Step 8



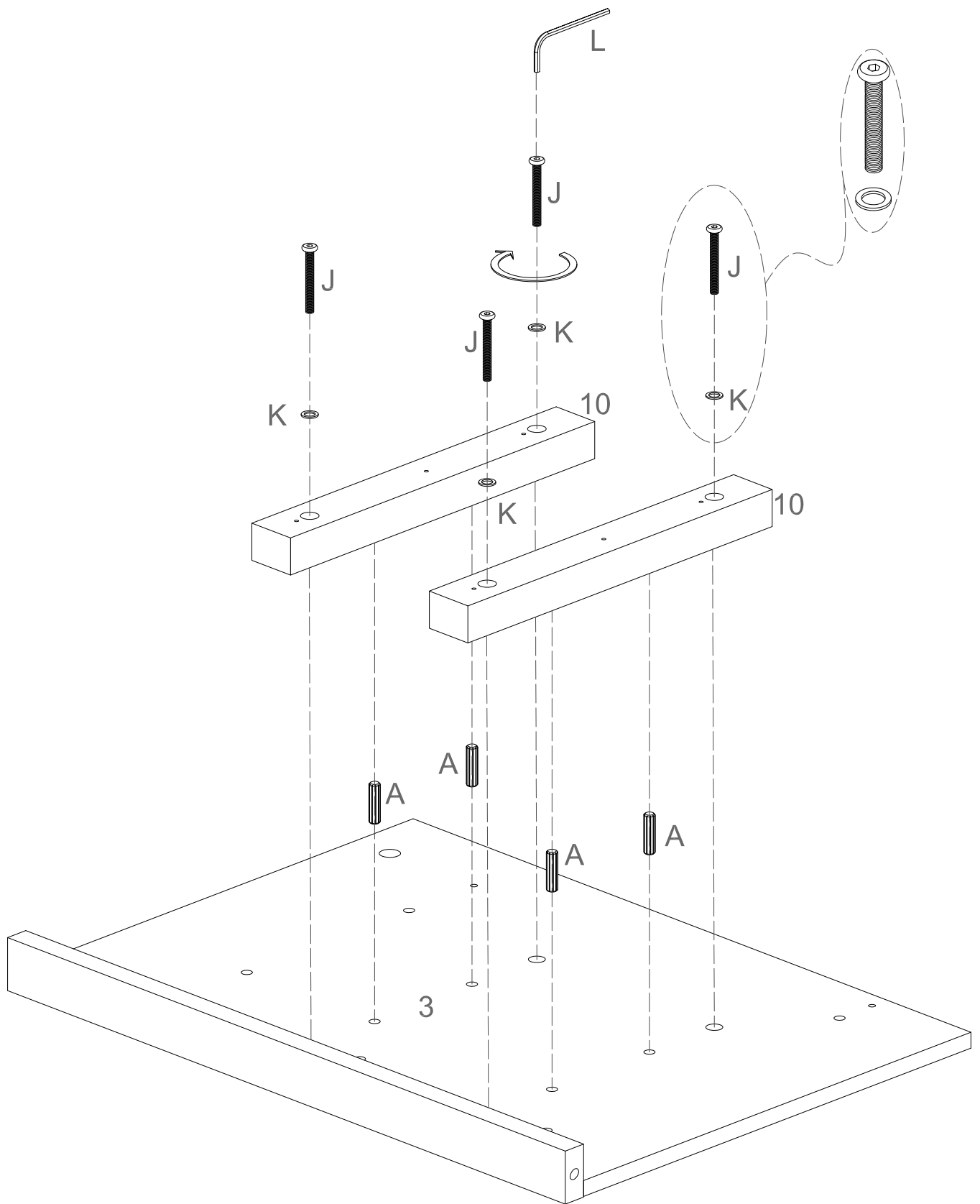
# Step 9



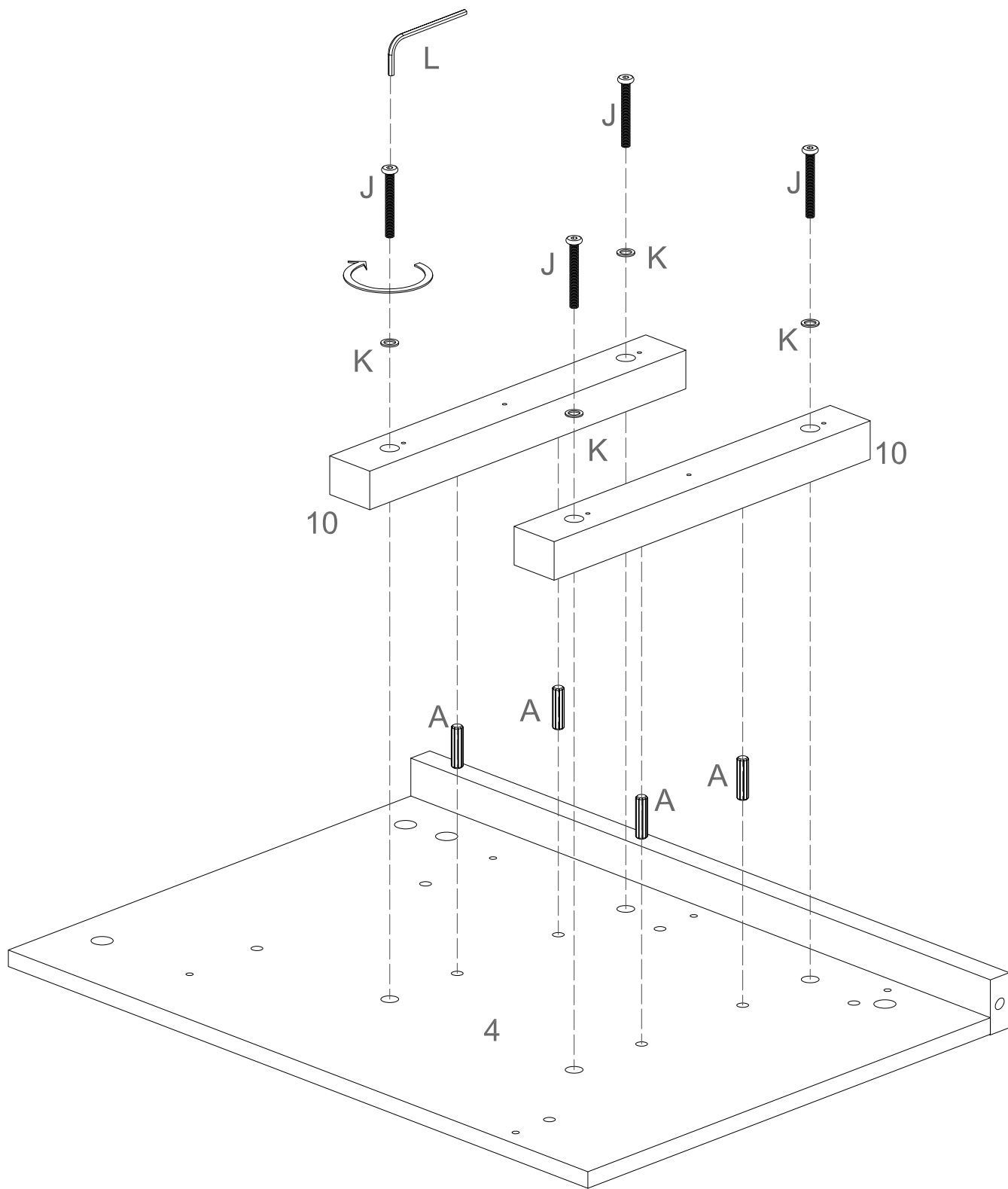
# Step 10



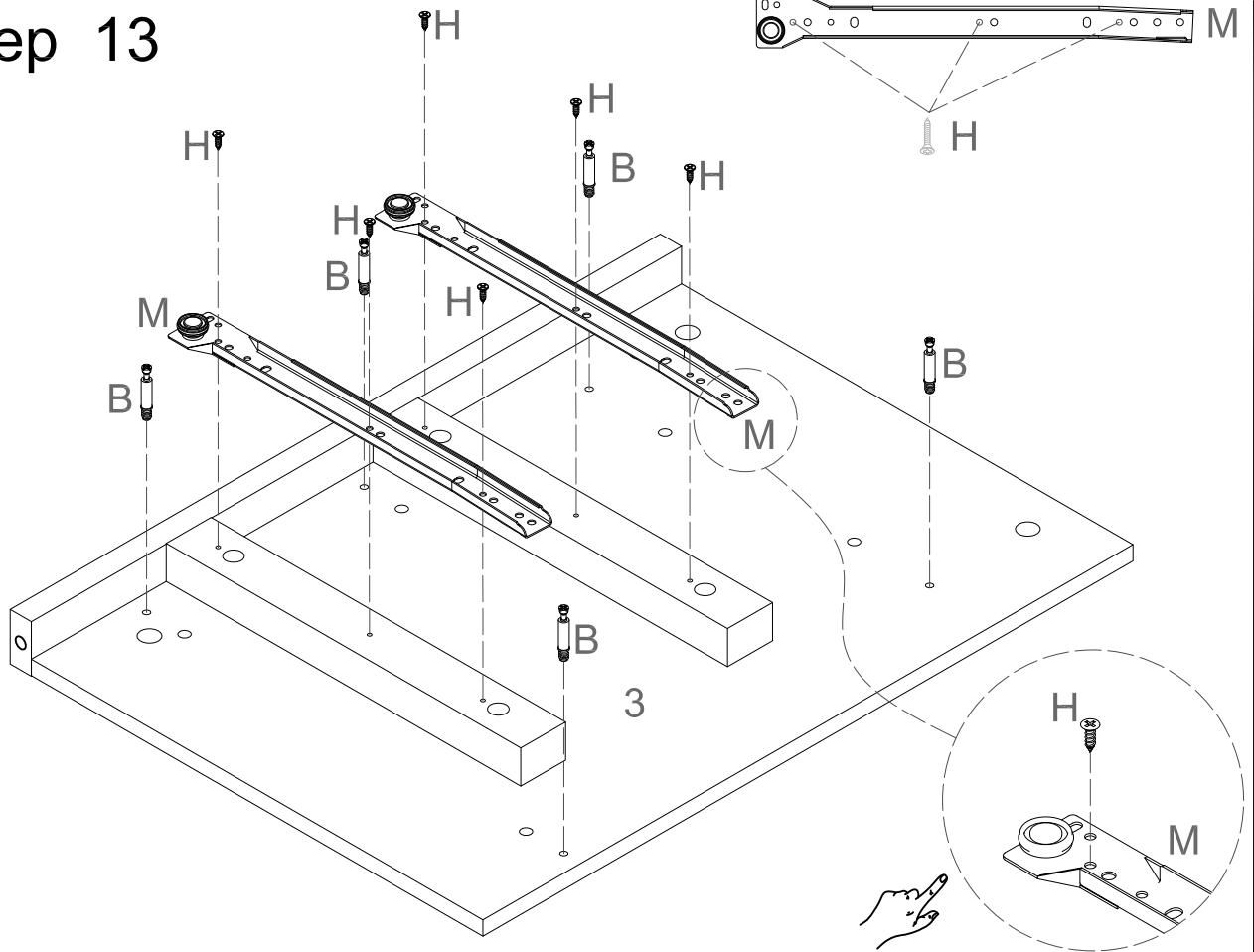
# Step 11



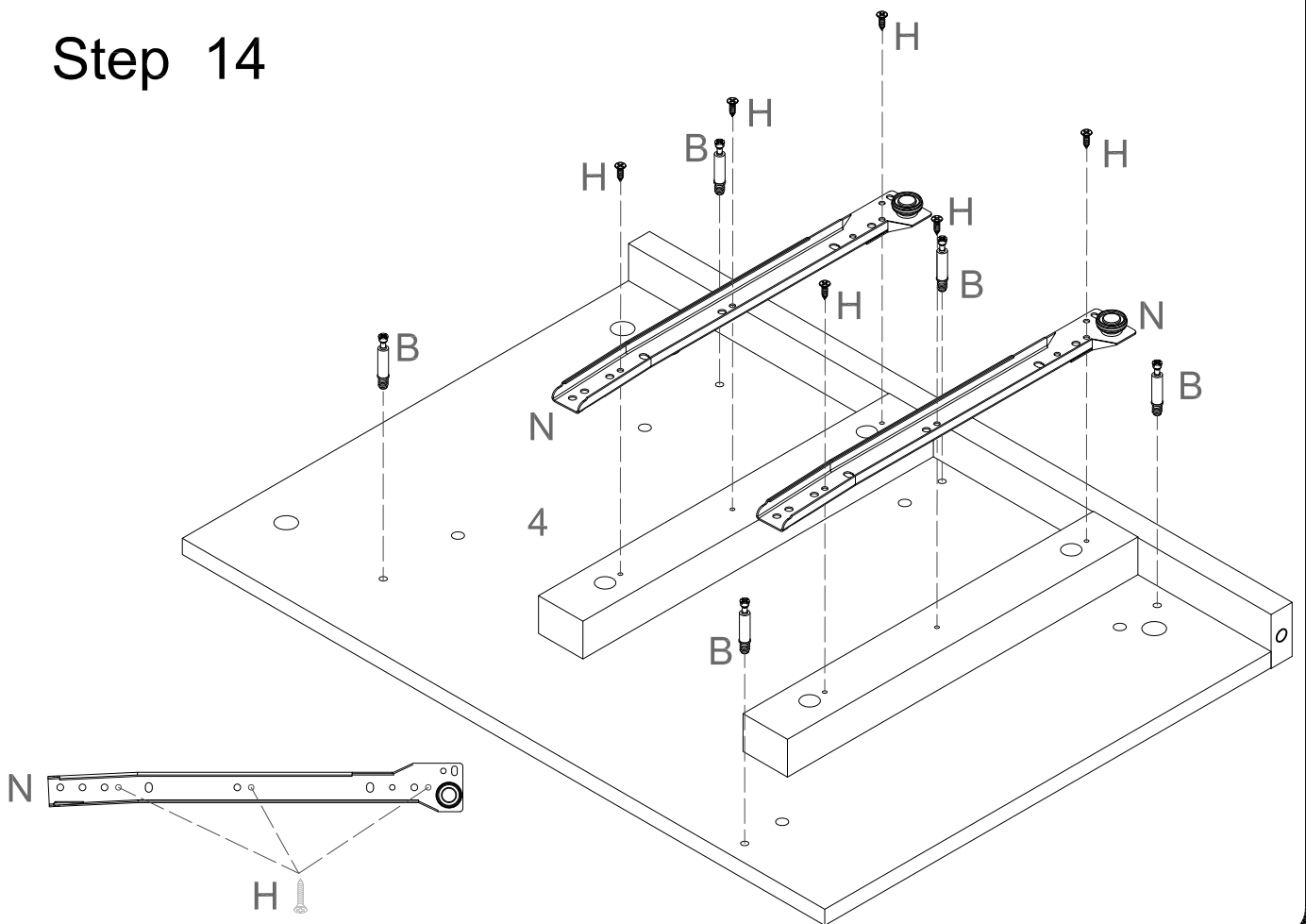
# Step 12



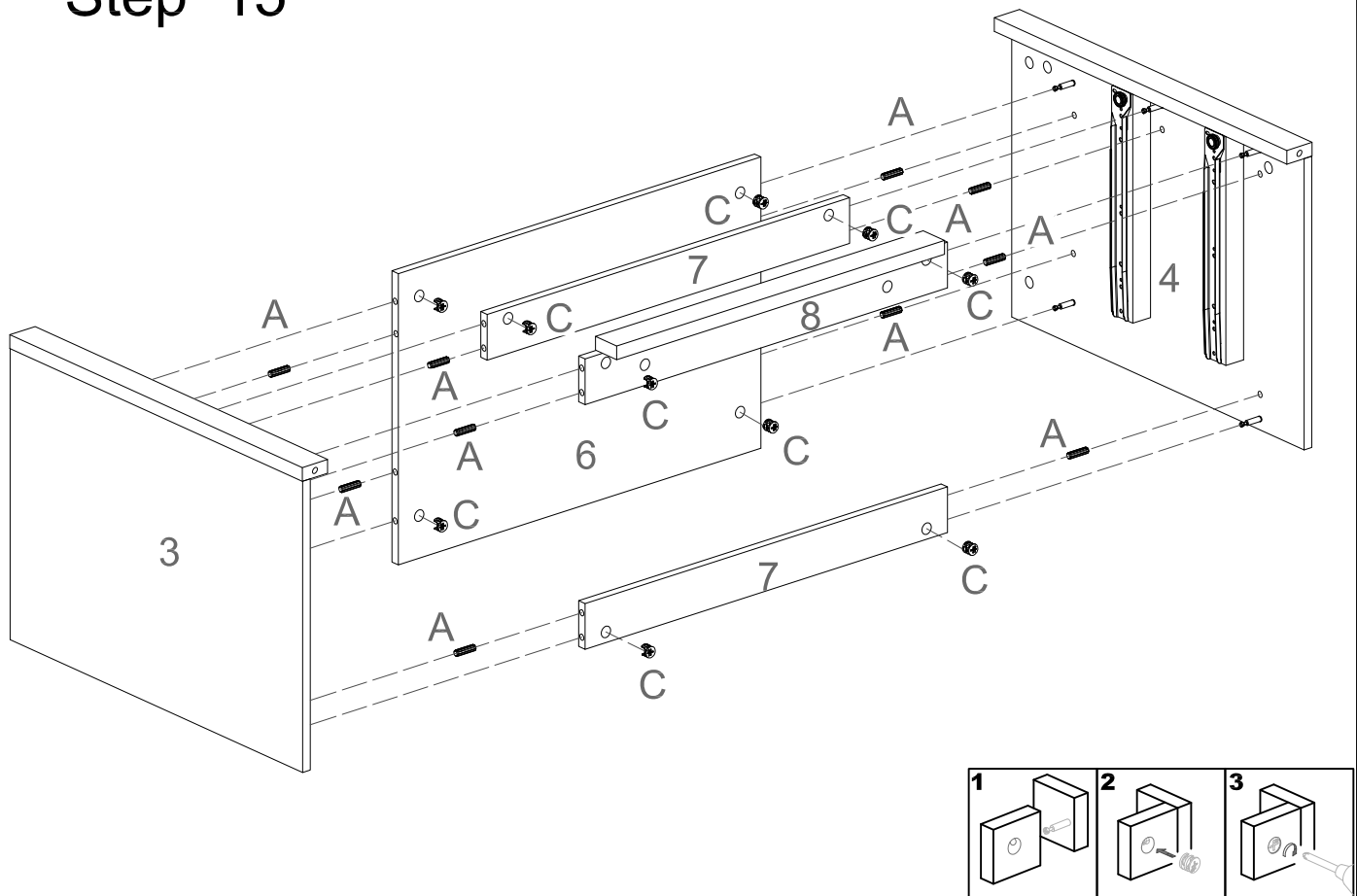
# Step 13



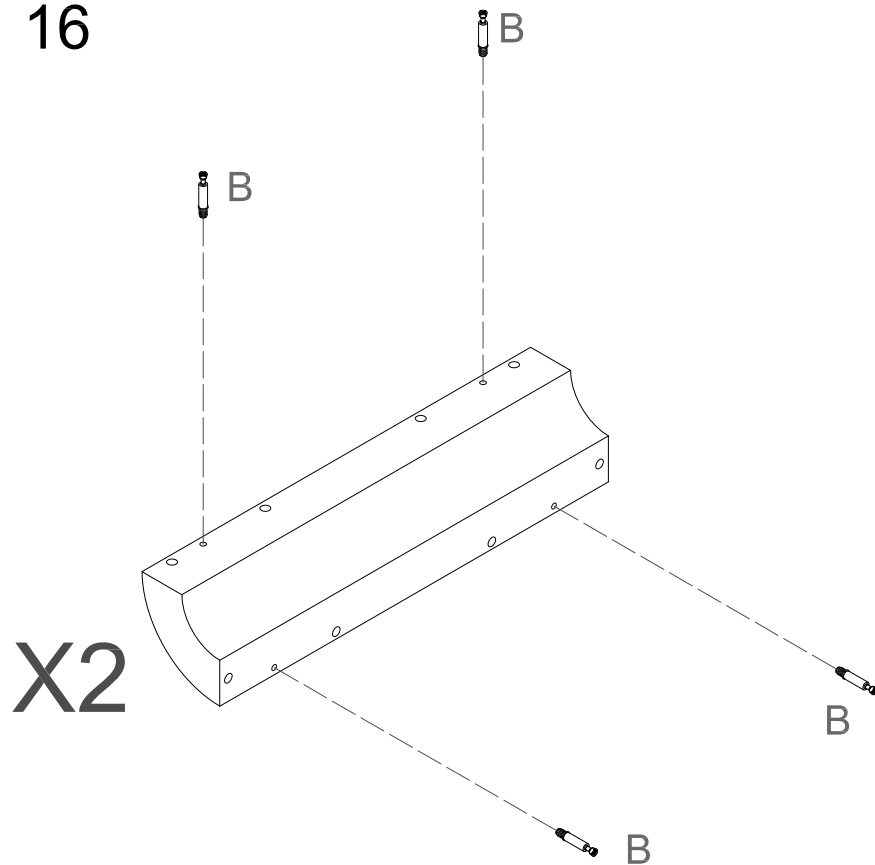
# Step 14



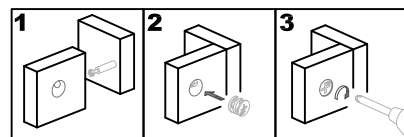
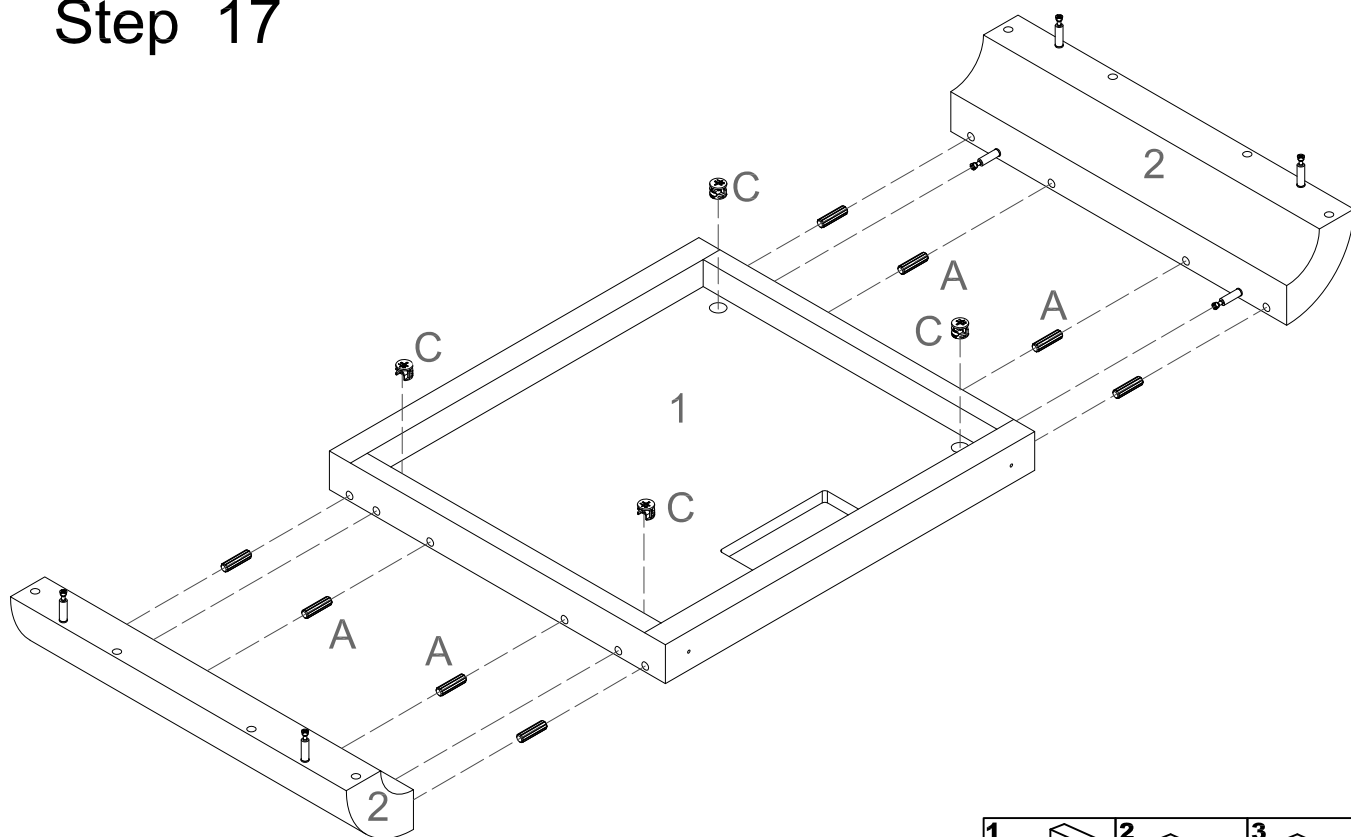
# Step 15



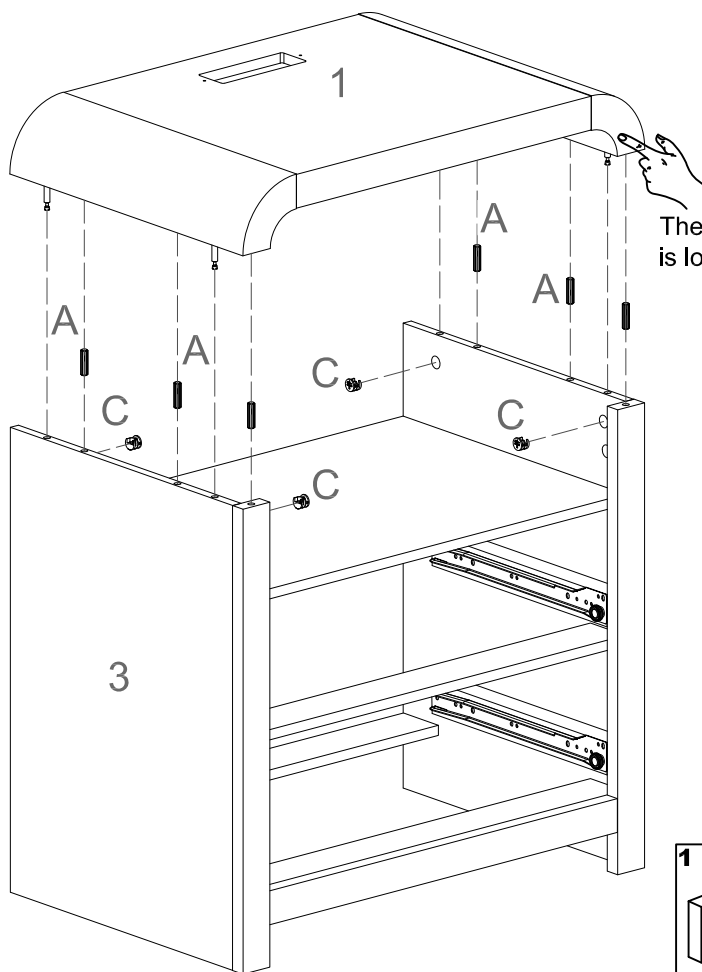
# Step 16



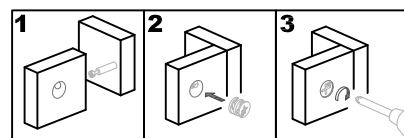
# Step 17



# Step 18

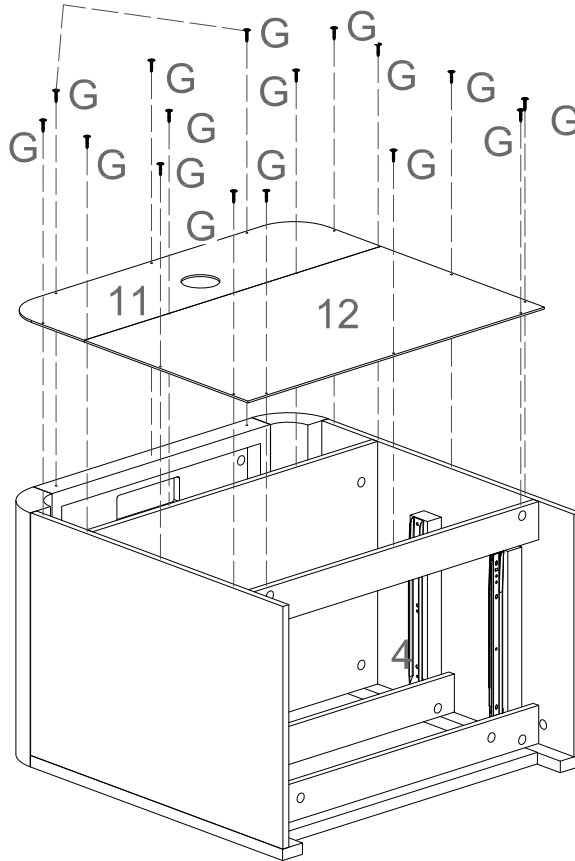


The surface without pre-drilled holes is located at the front.

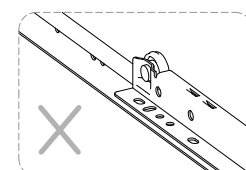
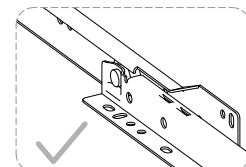
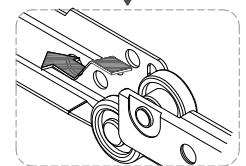
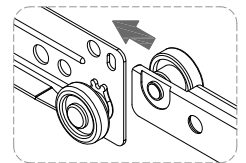
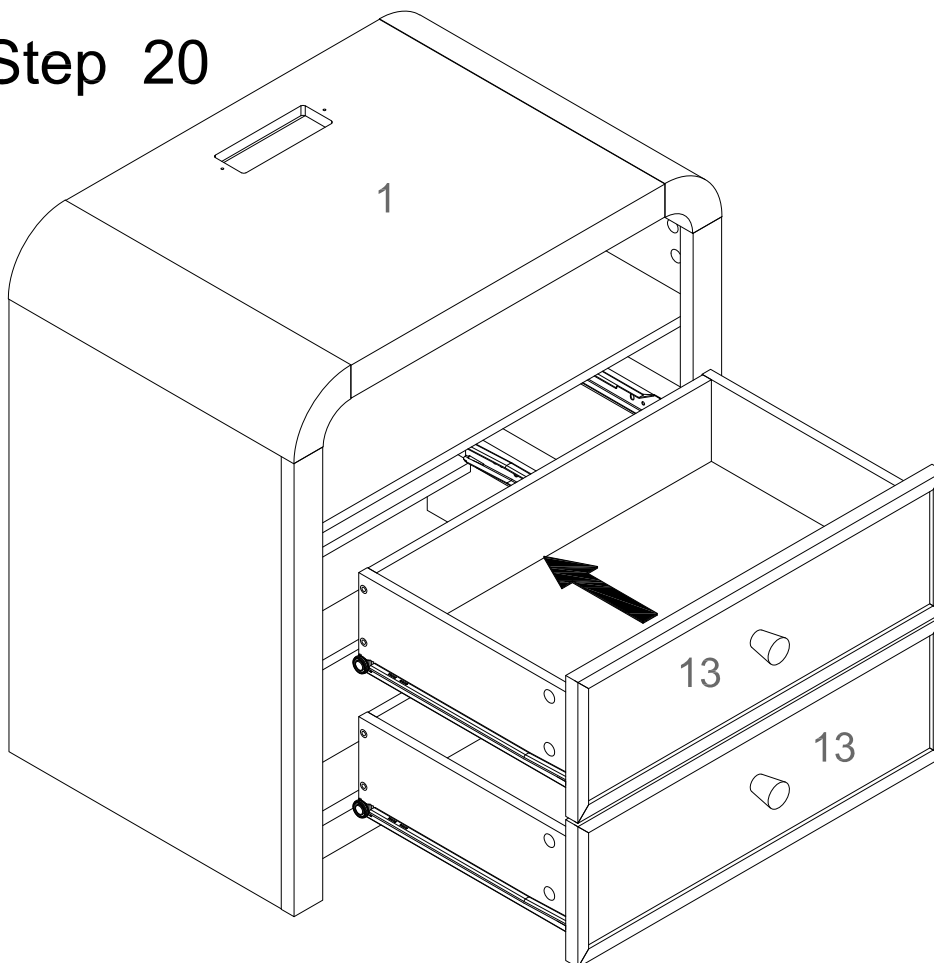


# Step 19

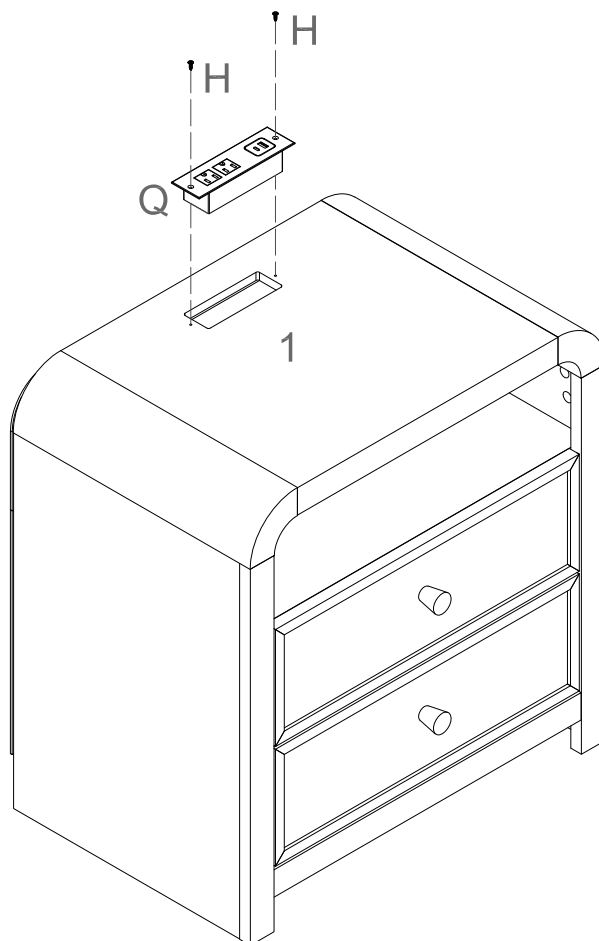
First tighten these 2 screws, then tighten all remaining screws.



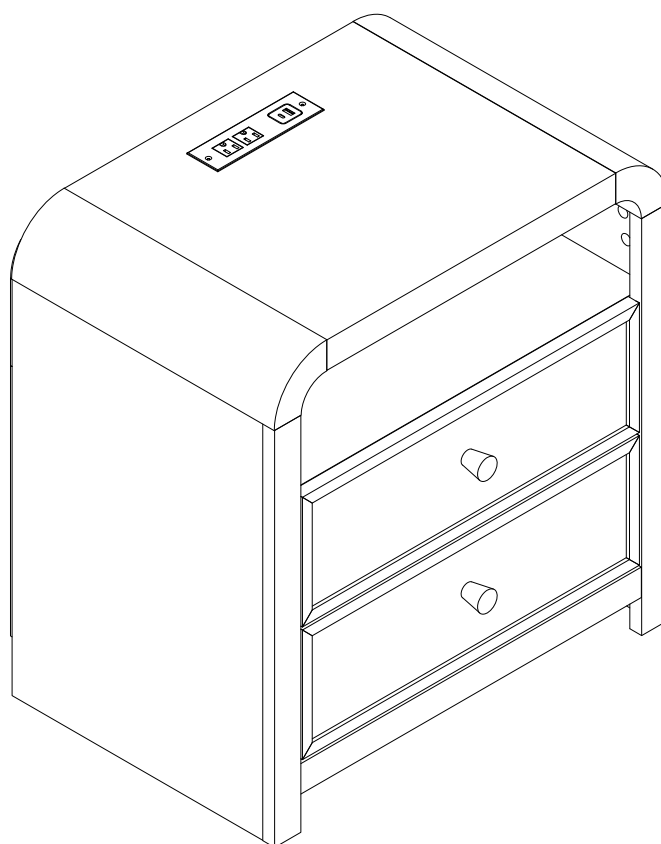
# Step 20



# Step 21



# Step 22



Final Assembly