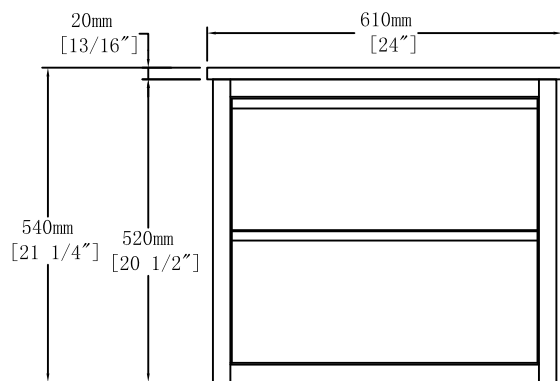
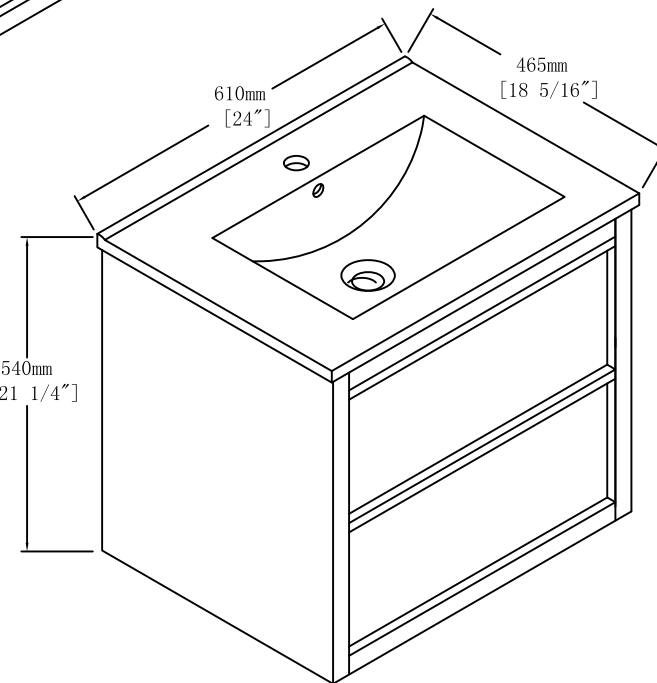
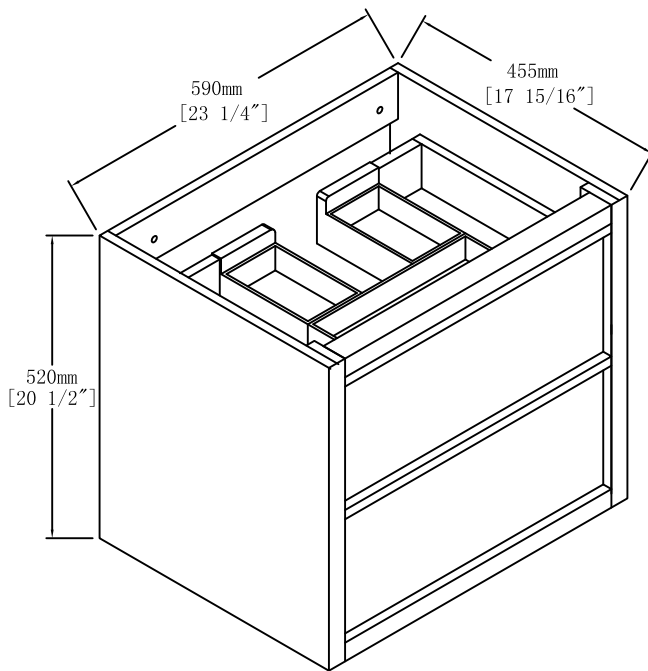
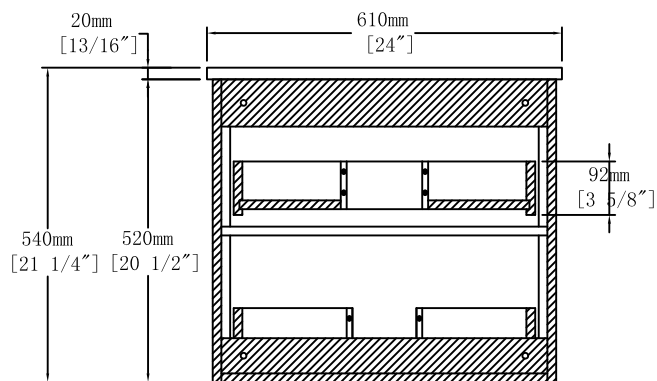


Top View



Front View



Front View

	Item NO.	BV A02524	Version	V1
	Projece		Date	2022-10-21