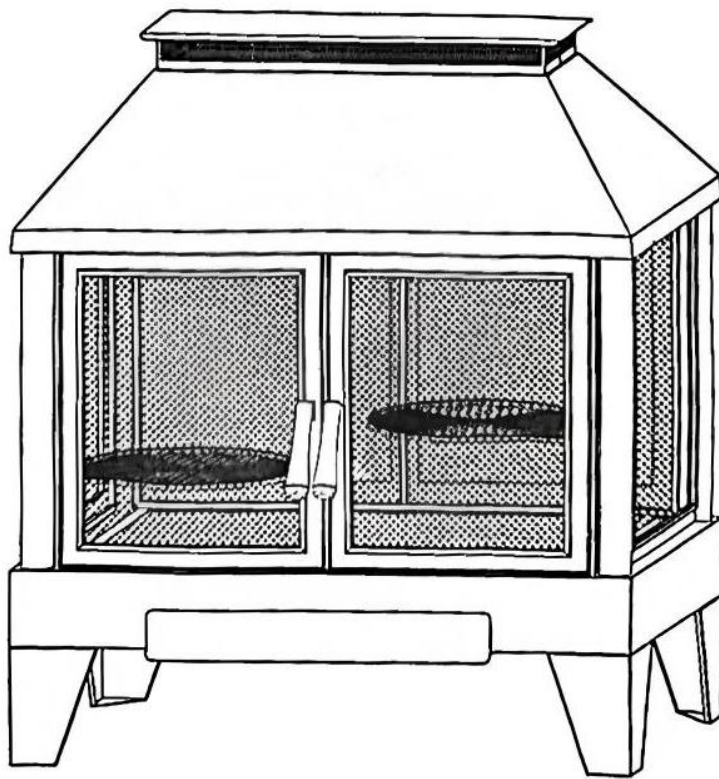


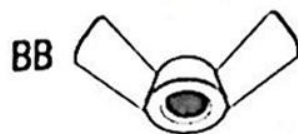
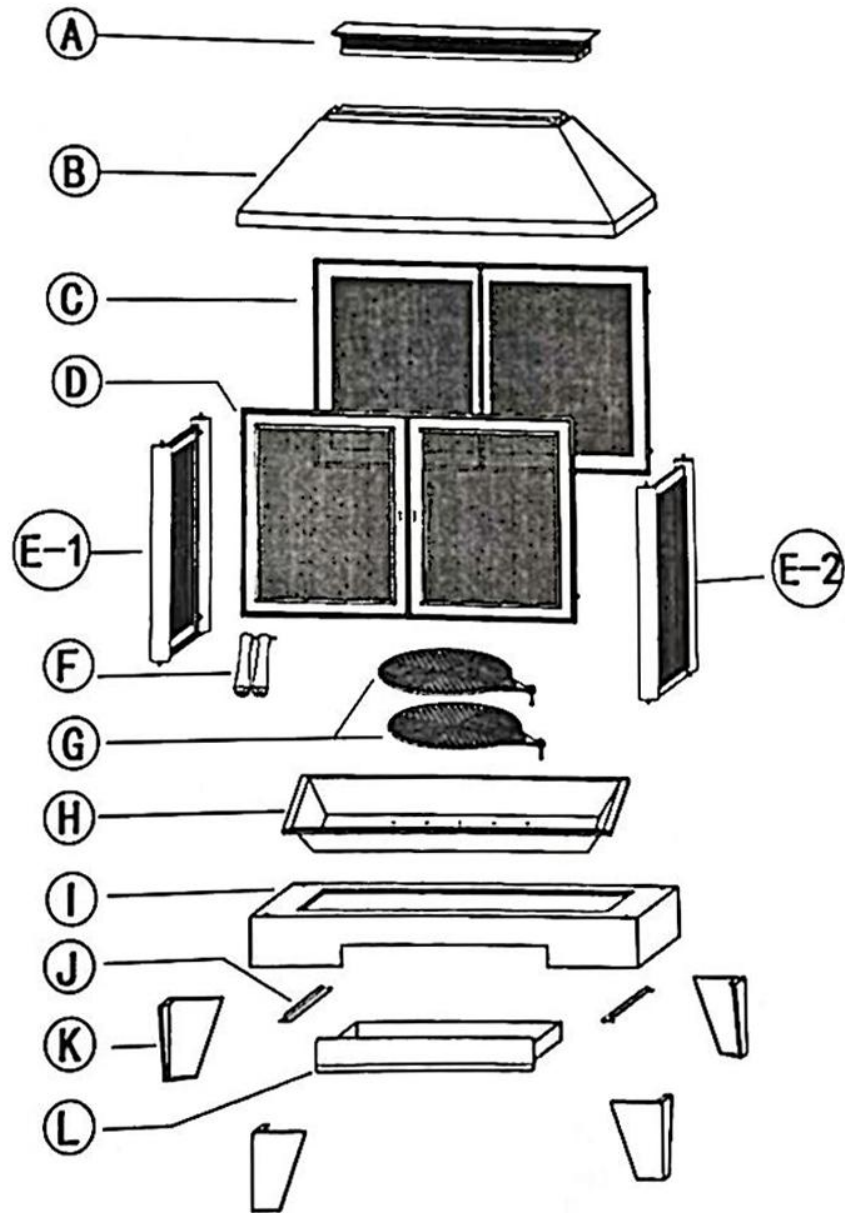
OUTDOOR FIREPLACE INSTALLATION INSTRUCTIONS



Safety Warnings

- ◆ **This product is for outdoor use only. It is strictly prohibited to use it in enclosed indoor spaces.**
- ◆ **Never leave the product unattended during operation.**
- ◆ **Keep children and individuals with limited mobility under constant supervision and prevent unsupervised access near the unit.**
- ◆ **Do not touch the fireplace surface without protective gear while in use.**
- ◆ **Do not directly extinguish the fire with water during combustion, as this may reduce the product's service life.**
- ◆ **Do not use the product near flammable or explosive materials.**

Product Parts List:



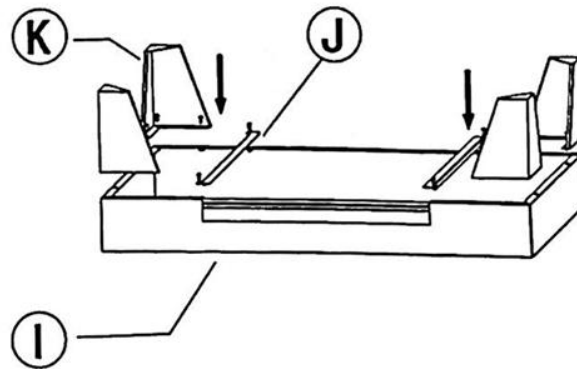
Product Parts List:

A	Small Top Cover	1
B	Large Top Cover	1
C	Back Panel	1
D	Door Panel	1
E-1	Side Panel	1
E-2	Side Panel	1
F	Door Handle	2
G	Cast Iron Grill Rack	2
H	Burning Fire Bowl	1
I	Base Frame	1
J	Guide Rail	2
K	Leg Frame	4
L	Ash Collection Box	1
AA	M6*14 Screw	26
BB	M6 Wing Nut	8
CC	M5*20 Flat Head Screw	2

Step 1: Install Legs and Guide Rails

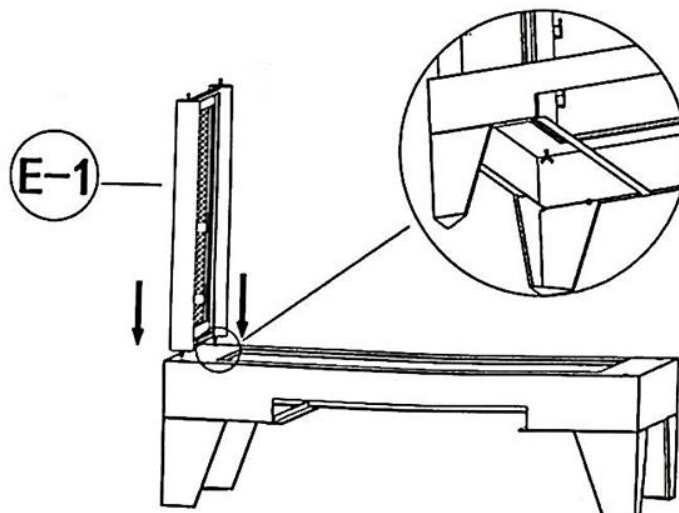
Place the Base Frame (I) upside down. Attach the 4 Leg Frames (K) and 2 Guide Rails (J) to the Base Frame (I) respectively, using 16 pieces of M6*14 Screws (AA).

Tip: Pay attention to the orientation of the guide rails during assembly.



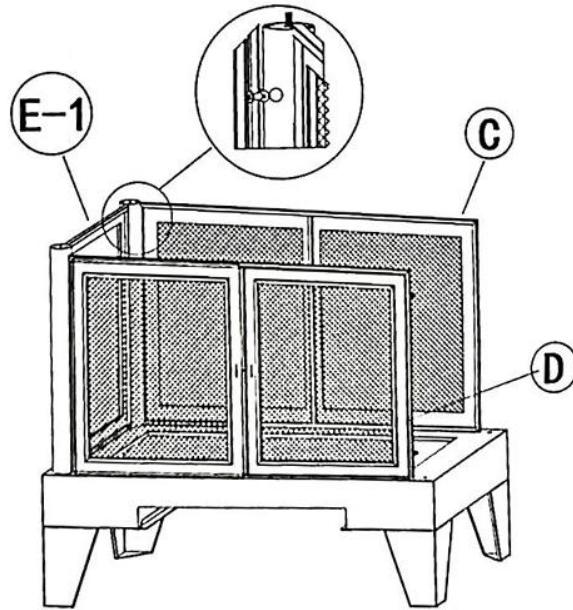
Step 2: Install Side Panels

Align the screws on the Side Panel (E-1) with the holes on both sides of the Base Frame (I) and insert them. Secure them from underneath the base using 2 pieces of M6 Wing Nuts (BB).



Step 3: Install Back Panel and Door Panel

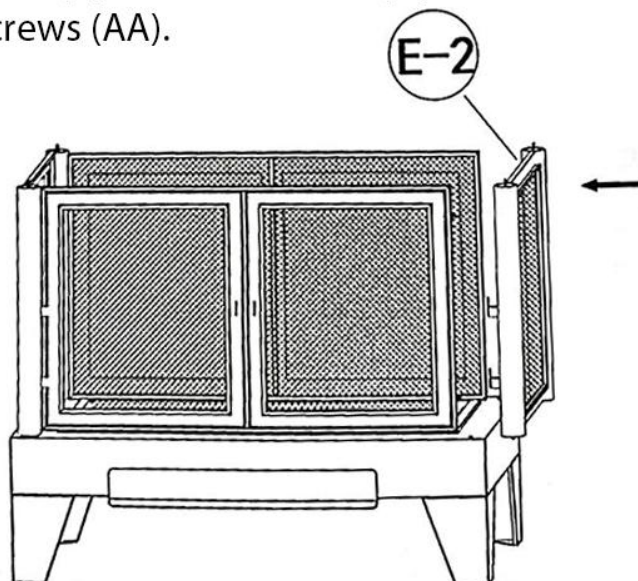
Attach the Back Panel (C) and Door Panel (D) to the Side Panel (E-1), using 4 pieces of M6*14 Screws (AA).



Step 4: Install Side Panel

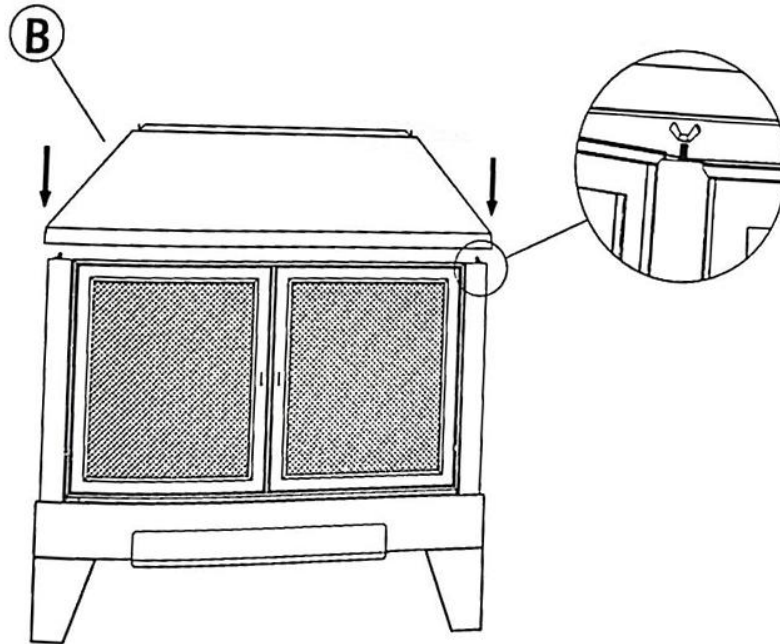
Align the screws on the Side Panel (E-2) with the holes on both sides of the Base Frame (I) and insert them. Secure them from underneath the base using 2 pieces of M6 Wing Nuts (BB).

Attach the Back Panel (C) and Door Panel (D) to the Side Panel (E-2), using 4 pieces of M6*14 Screws (AA).



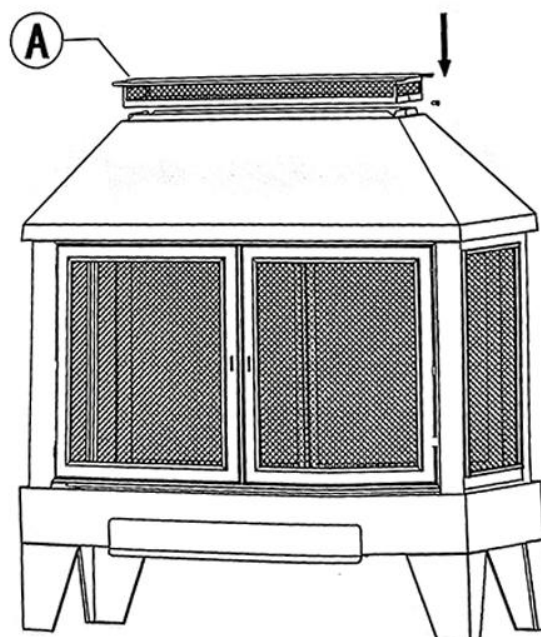
Step 5: Install Large Top Cover

Align the assembly holes at the bottom of the Large Top Cover (B) with the screws on the posts of the Left Side Panel (E-1) and Right Side Panel (E-2). After placing it in position, tighten it with 4 pieces of M6 Wing Nuts (BB).



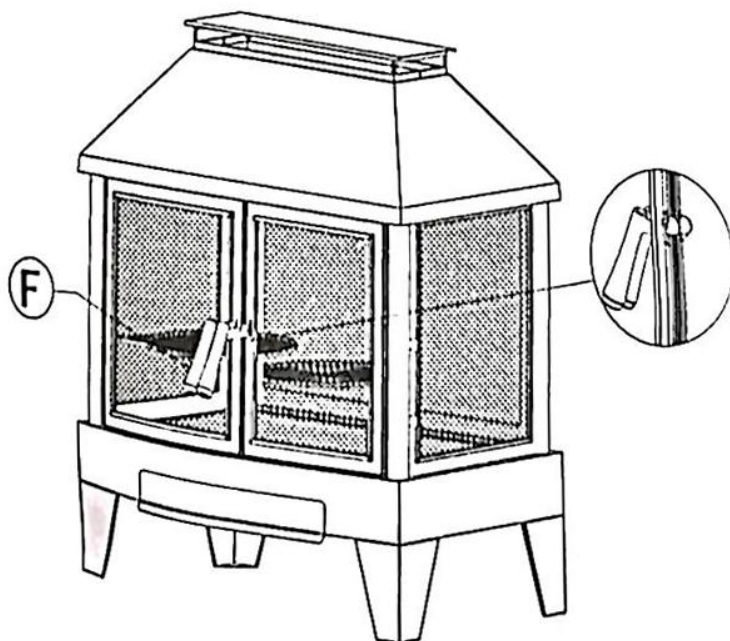
Step 6: Install Small Top Cover

Place the Small Top Cover (A) on top of the Large Top Cover (B), and insert 2 pieces of M6*14 Screws (AA) at the aligned holes.



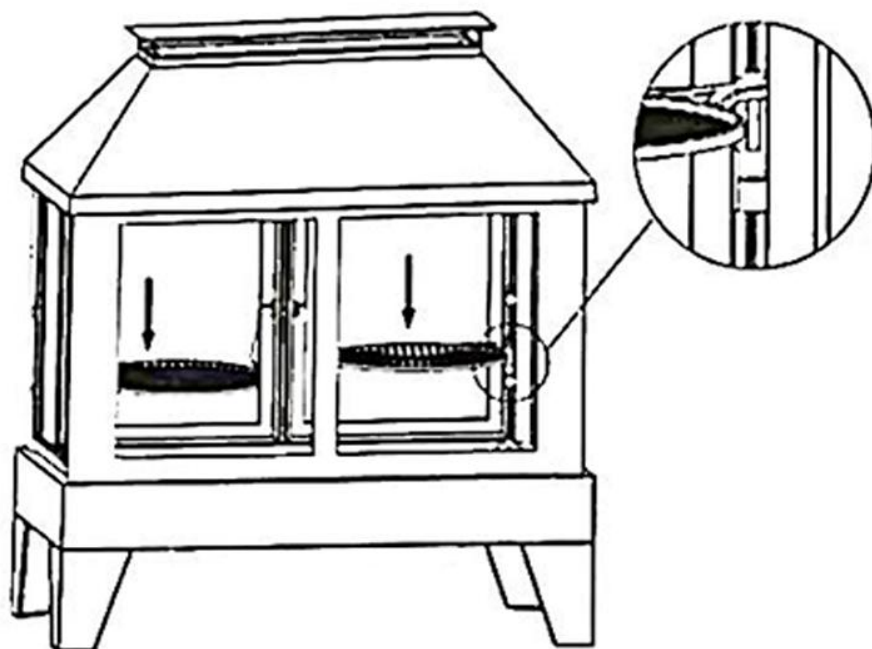
Step 7: Install Door Handle

Pass the Door Handle (F) through the rectangular small hole on the Front Door (D), then insert 1 piece of M5*20 Flat Head Screw (CC) from the side and tighten it.



Step 8: Install Grill Rack

Insert the pins on the Grill Rack (G) into the sleeves of the Left Side Panel (E-1) and Right Side Panel (E-2). There are two height levels available for adjustment.



Place the Ash Collection Box (L) on the guide rails and push it in, then insert the Burning Fire Bowl (H) into the opening of the Base Frame (I).

