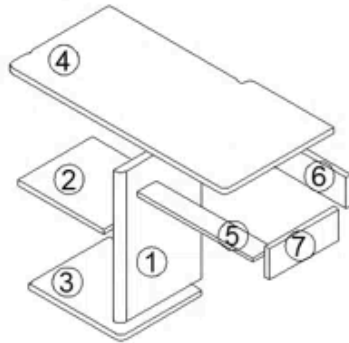


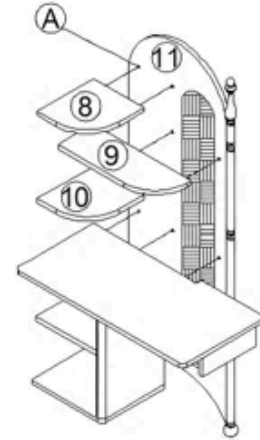
## Installation Instructions for the Dressing Table

Number	Hardware Diagram	Specification / Quantity
A		Three-in-One=43
B		Self-tapping screw Φ3.5*14=26
C		Self-tapping screw Φ3.5*25=4
D		Self-tapping screw Φ3.5*30=8
E		8*25=1
F		The large arch hinge=2
G		Rebounder=1

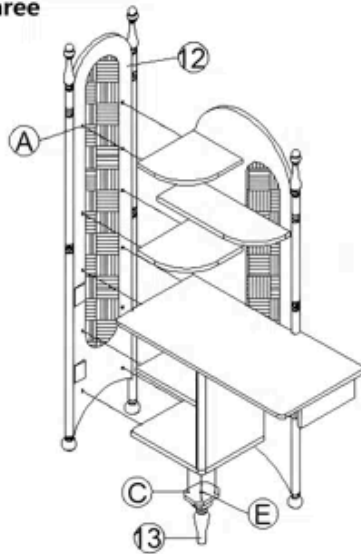
### Step One



### Step Two



### Step Three



### Step Four

