



 Wovenbyrd

Assembly Instructions

Modern Armless Office Chair
Item#7HOC0017

Congratulations on your new Wovenbyrd piece!

Assembly your furniture should be as easygoing as enjoying the finished product.

Our instructions are simple, straightforward and easy to follow.

That means less stress during assembly and more time to unwind in your newly furnished sanctuary.

Before you begin:

1. Email **service@the7thhaven.com** or call **(833) 784-2836** with any questions or to order missing supplies.
2. Gather all necessary tools prior to assembly.

Assembly tips:

1. Remove hardware from the box and sort by size. Place all pieces on a soft, flat surface to avoid scratches on floors or other furniture.
2. Check to see that all hardware and parts are included before beginning assembly.
3. Follow the attached instructions in order for fast and easy assembly.

Warning:

1. Do not attempt to repair or modify parts that are broken or defective.
Please contact **service@the7thhaven.com** for assistance.
2. This product is for home use only and not intended for commercial use.

table of contents

introduction	2
hardware	4
parts list	5
assembly	6

hardware

(H1)x 4

bolt(1/4 * 3/4)



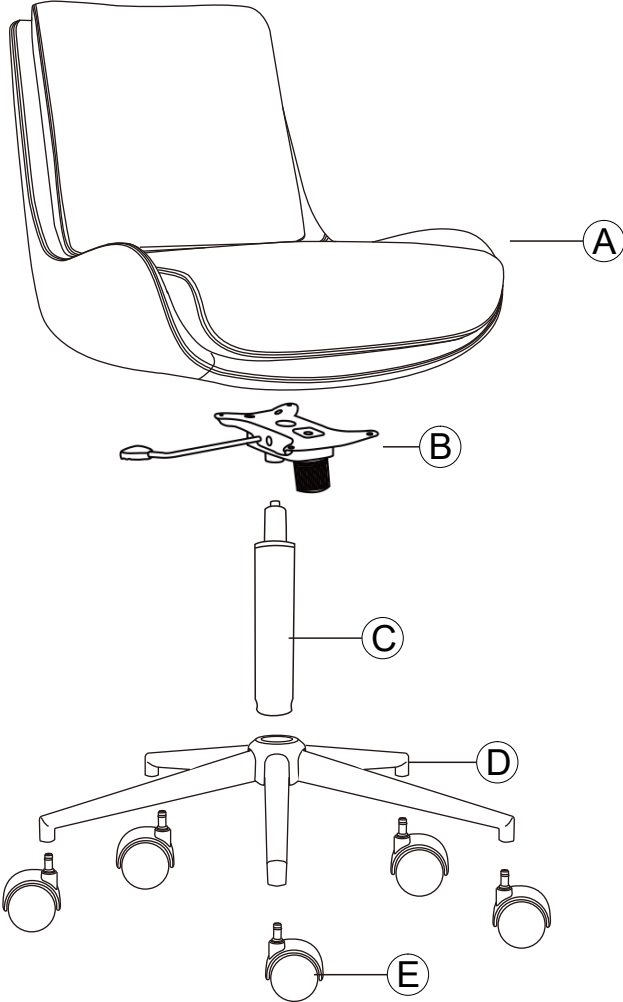
(H4)x 1

hex wrench(M6)

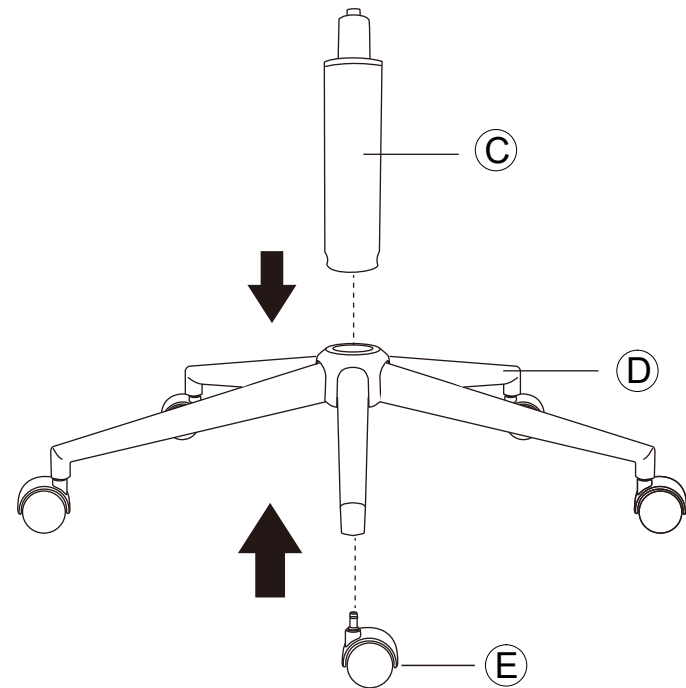


ITEM DESCRIPTION QUANTITY

A	seat	1
B	base plate	1
C	gas lift	1
D	chrome leg	1
E	casters	5



step 1.

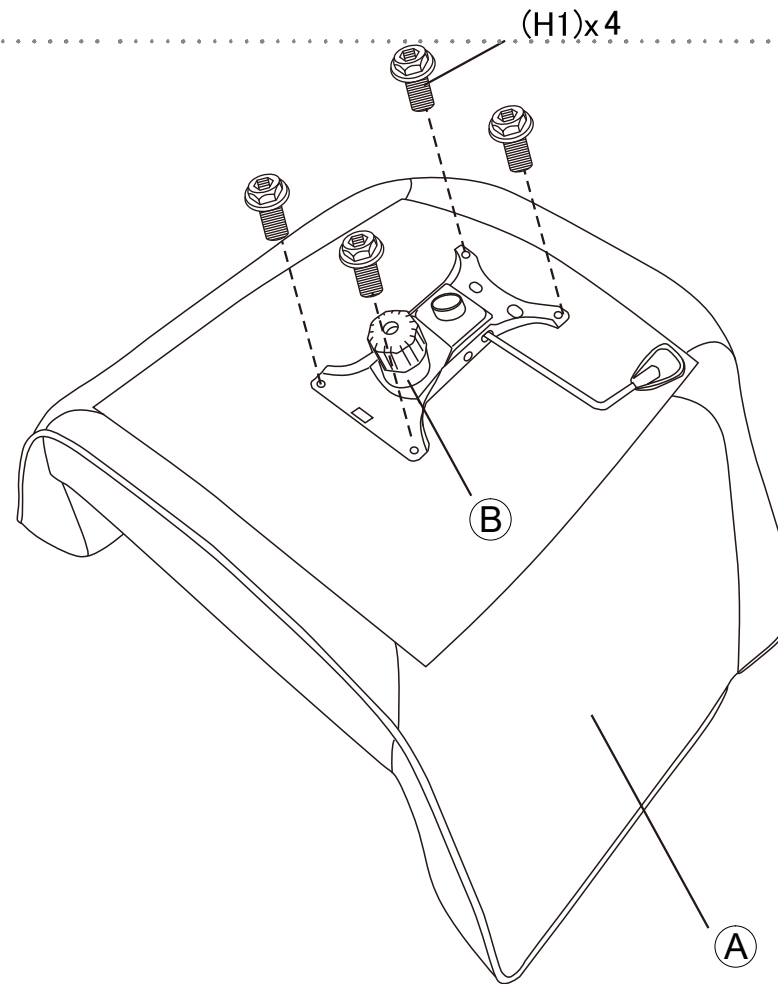


Assemble the bench on soft, scratch-free surface such as a carpet or a rug.

1. Insert the gas lift and casters into the chrome leg.

Additional note about safety: Bolts may loosen during normal everyday use. They should be periodically inspected and re-tightened to prevent damage or injury. Always check to be sure that all hardware is kept tightened.

step 2.



(H1)x4
bolt(1/4 * 3/4)



(H4)x 1
hex wrench(M6)

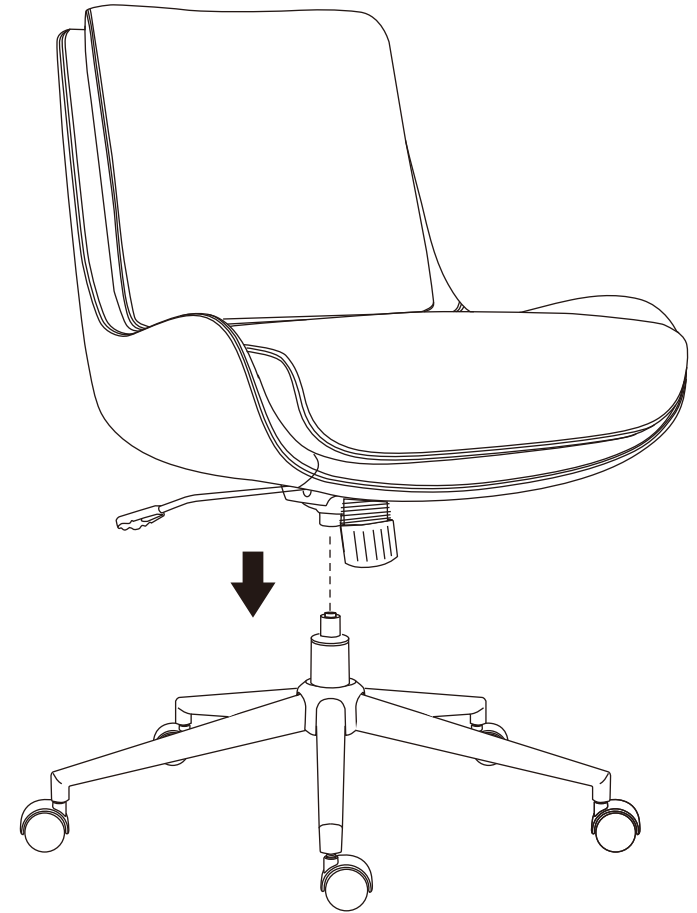


Assemble the bench on soft, scratch-free surface such as a carpet or a rug.

1. Attach the base plate (B) to bottom of seat (A) adding (H1). Securely tighten all the screws.

Additional note about safety: Bolts may loosen during normal everyday use. They should be periodically inspected and re-tightened to prevent damage or injury. Always check to be sure that all hardware is kept tightened.

step 3.



Additional note about safety: Bolts may loosen during normal everyday use. They should be periodically inspected and re-tightened to prevent damage or injury. Always check to be sure that all hardware is kept tightened.