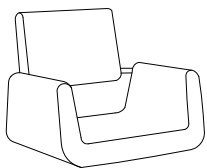
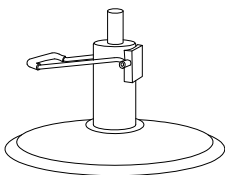


A

x1 pc

**B**

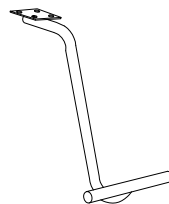
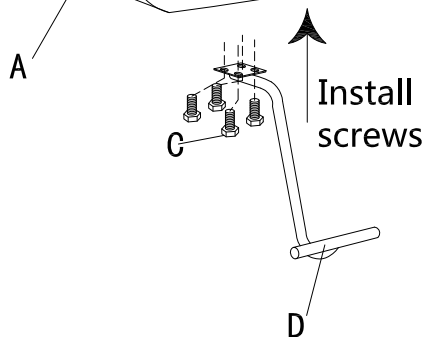
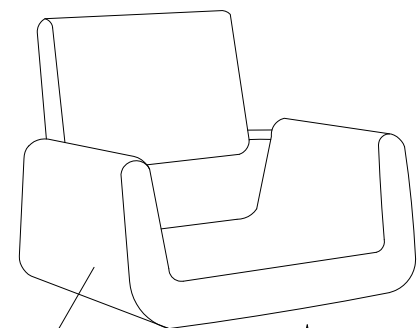
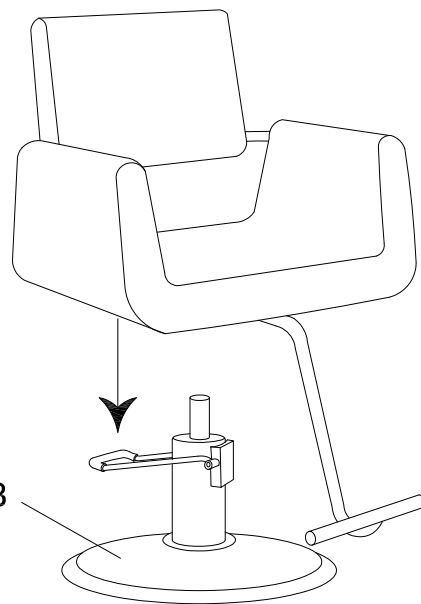
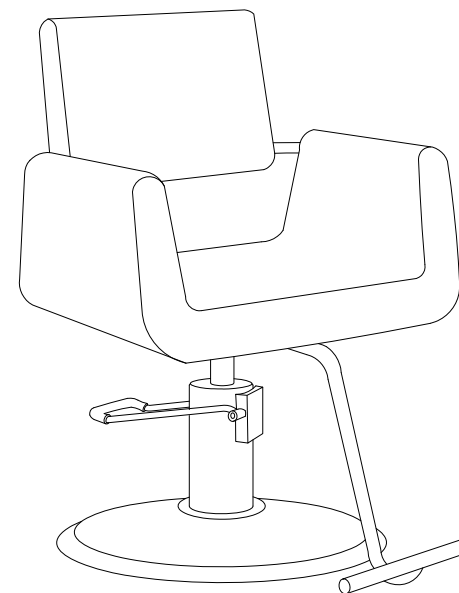
x1 pc

**C**

x4 pcs

**D**

x1 pcs

**1****2****3**

1. Use an open-end wrench to remove the 4 bolts. Line up the holes with the holes on the mounting plate of the footrest.

Note: leave the bolts loose until all 4 have been installed, then tighten them down.

2. Once the footrest is installed, take the chair top and set it on top of the pump shaft and lining up the SLOT with PIN.

Note: the SLOT should be facing toward the FRONT of the chair.

3. Sit in the chair and gently bounce up and down in order to connect the chair top to the pump shaft. Note: when moving the chair, LOCK THE PUMP PEDAL. Grab the pump pedal and use a strong hand-hold when moving the chair.