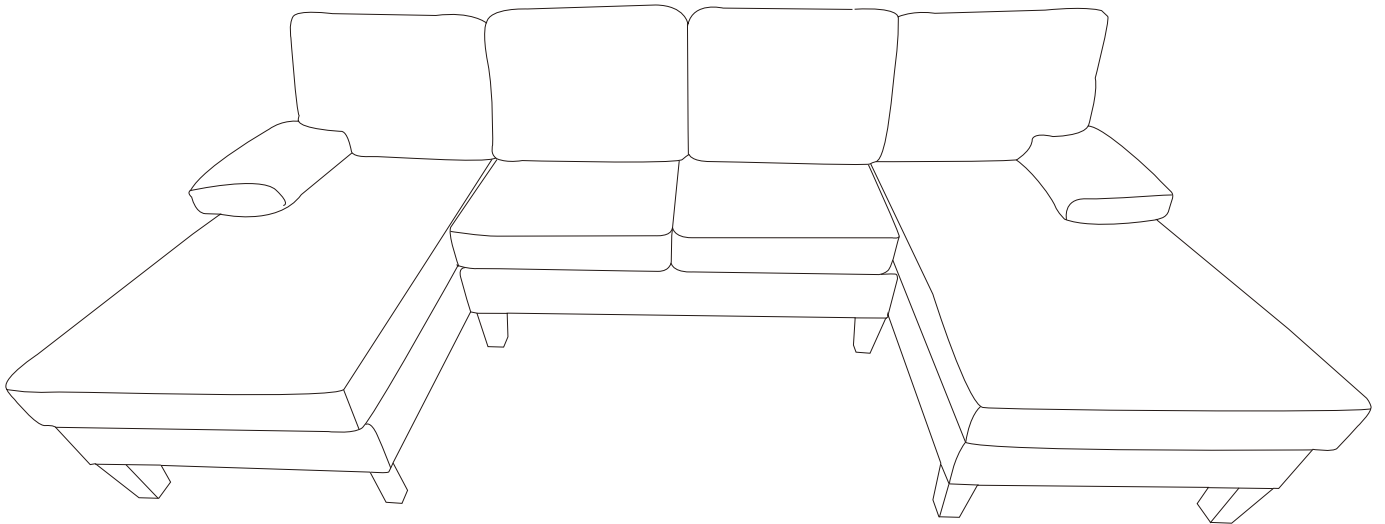


# U Shaped Couch

ASSEMBLY INSTRUCTIONS

L24UG09124-01

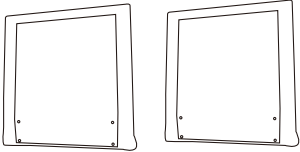
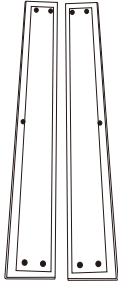
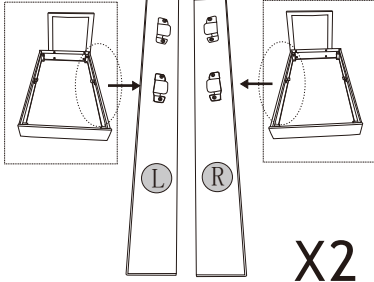
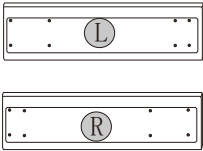
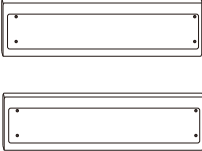
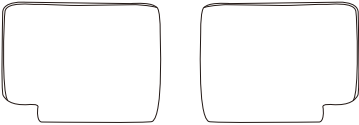
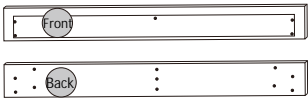
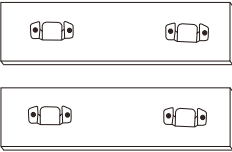
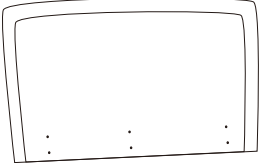

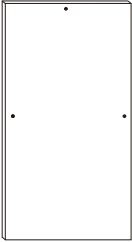



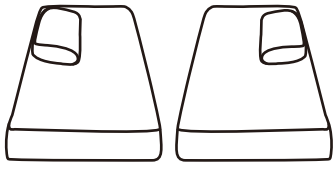
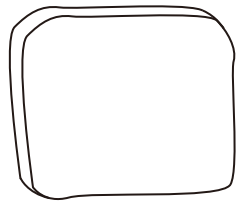



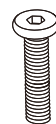
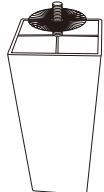
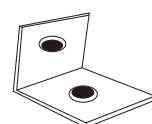
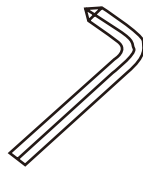
# ATTENTION

Thanks for choosing our product.

1. Please check the manual carefully and make sure you have received all the parts.
2. If there is any missing, please let us know the letter of the parts you need.
3. If there is any damage, please send clear photos to us, we will check and offer you the best solution soon.
4. This product comes in 2 packages, please wait until all packages are received before assembling.

# Components List

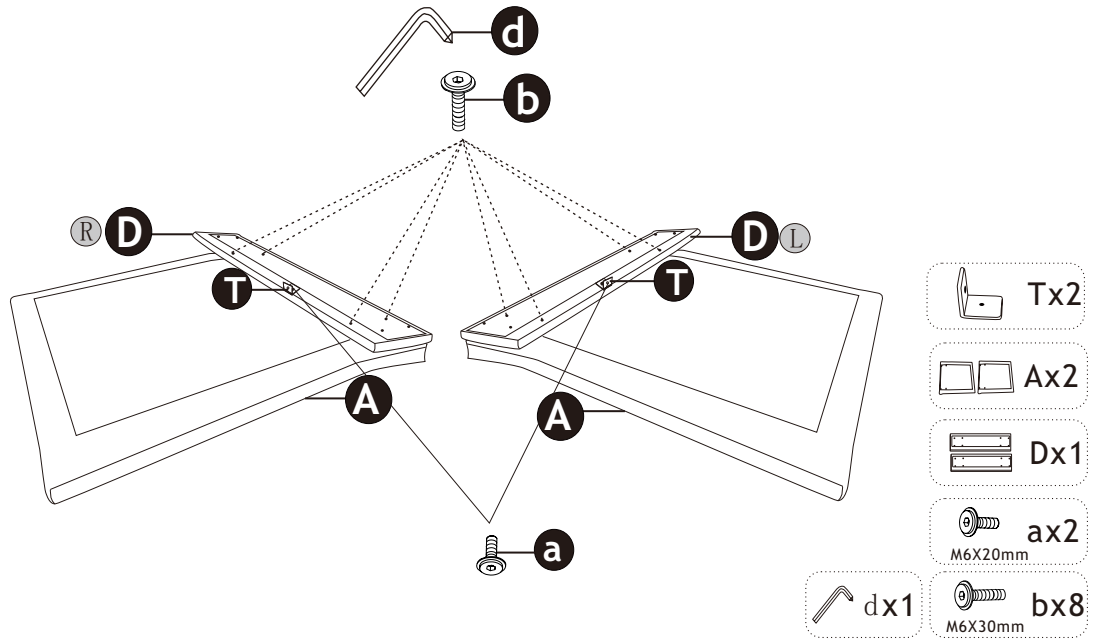
<p><b>A</b> chaise lounge backrest</p>  <p>X2</p>	<p><b>B</b> outside panel of the chaise lounge</p>  <p>X2</p>	<p><b>C</b> inside panel of the chaise lounge</p>  <p>X2</p>
<p><b>D</b> back panel of the chaise lounge</p>  <p>X2</p>	<p><b>E</b> front panel of the chaise lounge</p>  <p>X2</p>	<p><b>F</b> chaise lounge cushion</p>  <p>X2</p>
<p><b>G</b> front and back panels of the loveseat</p>  <p>X2</p>	<p><b>H</b> left and right side panels of the loveseat</p>  <p>X2</p>	<p><b>I</b> backrest frame of the loveseat</p>  <p>X1</p>
<p><b>J</b> seat frame of the loveseat</p>  <p>X1</p>	<p><b>K</b> seat frame of the chaise lounge</p>  <p>X2</p>	<p><b>M</b> seat cushion of the loveseat</p>  <p>X2</p>

<p><b>N</b> seat cushion of the chaise lounge</p>  <p>X2</p>	<p><b>O</b> back cushion of the loveseat</p>  <p>X2</p>	<p><b>P</b> connector</p>  <p>X12</p>
<p><b>a</b> M6X20mm</p>  <p>X21</p>	<p><b>b</b> M6X30mm</p>  <p>X15</p>	<p><b>c</b> M6X60mm</p>  <p>X49</p>
<p><b>S</b> supporting leg</p>  <p>X12</p>	<p><b>T</b> connecting metal plate</p>  <p>X10</p>	<p><b>d</b> wrench</p>  <p>X1</p>

# Assembly Instruction

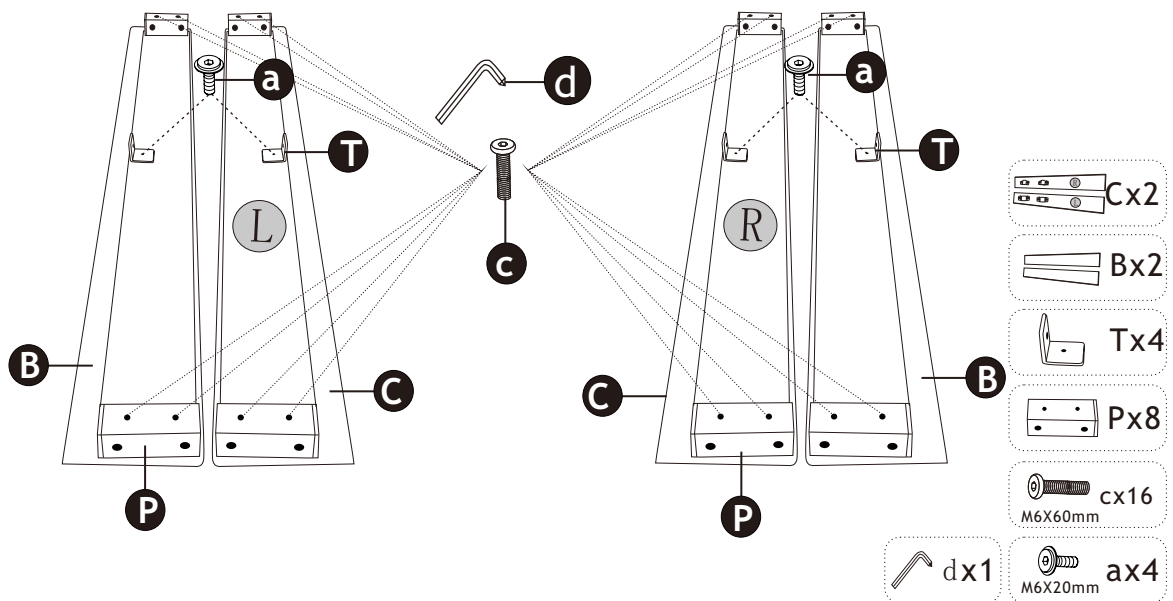
1

Install the back panel(D) onto the backrest frame(A) of the chaise lounge.



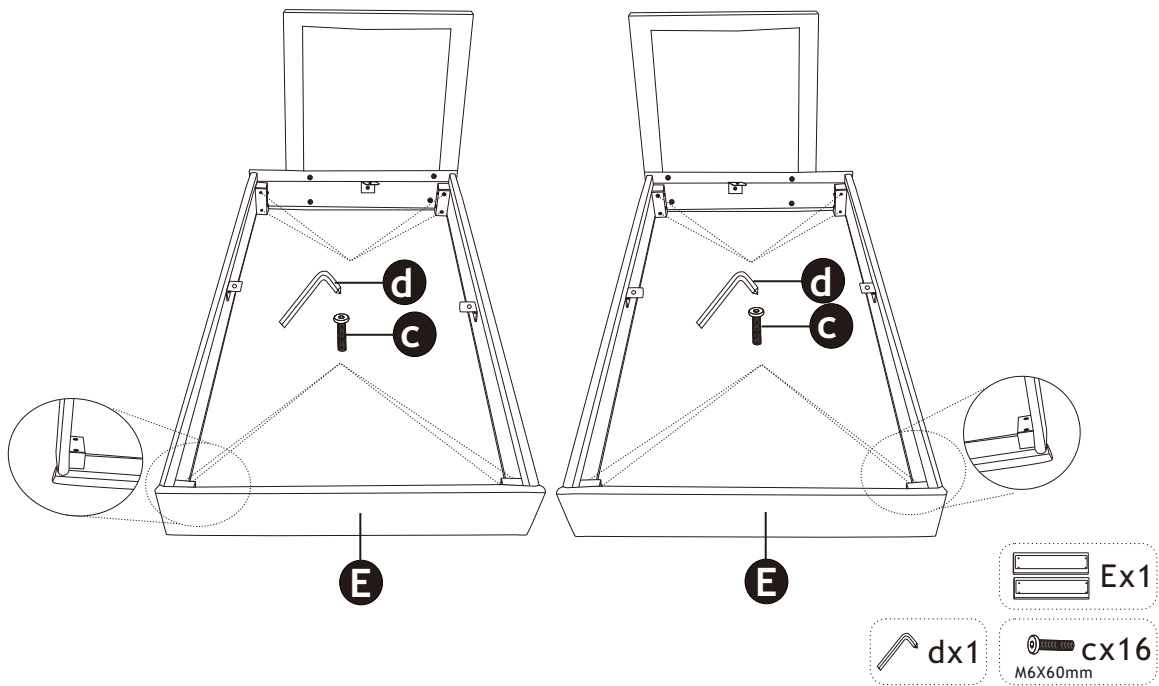
2

Install the connector(P) and the metal connector plate(T) onto the side panels(B) and (C) of the chaise lounge.



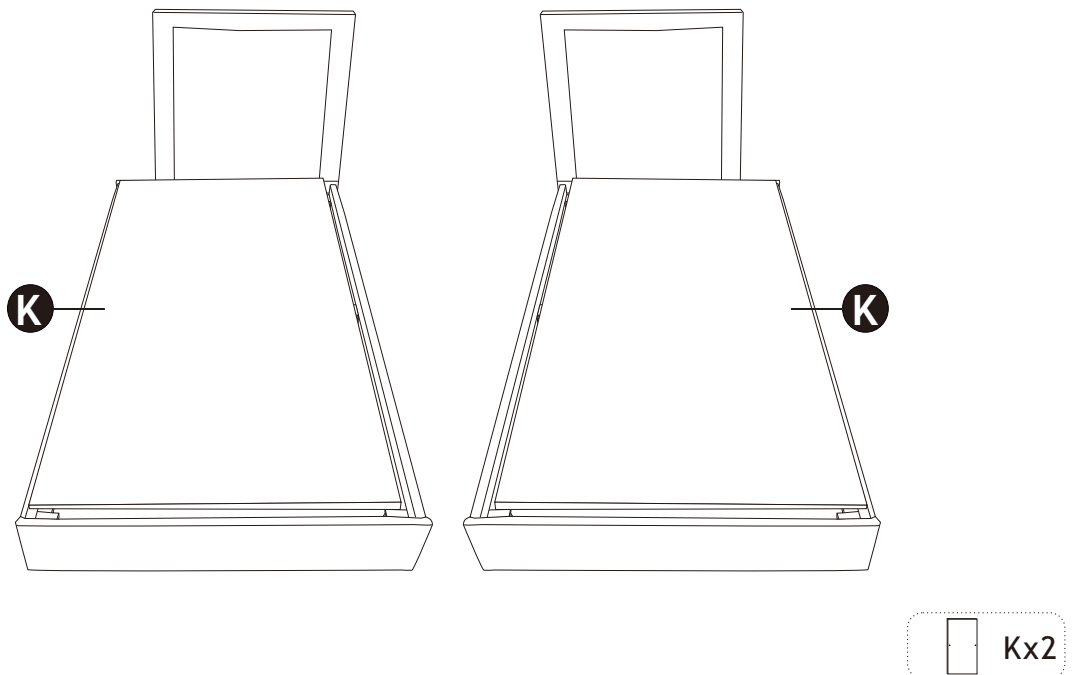
3

Use connectors to secure the side panels and front panel together with screws.



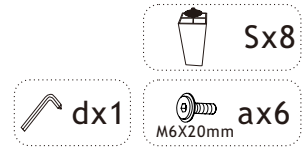
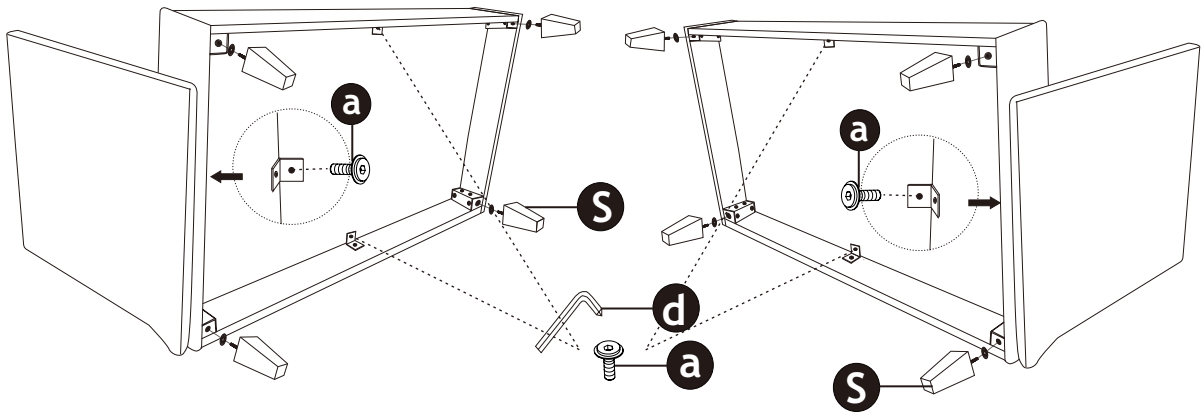
4

Insert the chaise lounge frame (K).



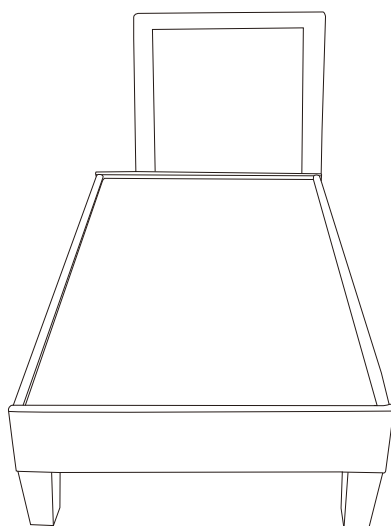
5

Lay the assembled chaise lounge frame on its side, secure the frame with screws and attach the legs (S).

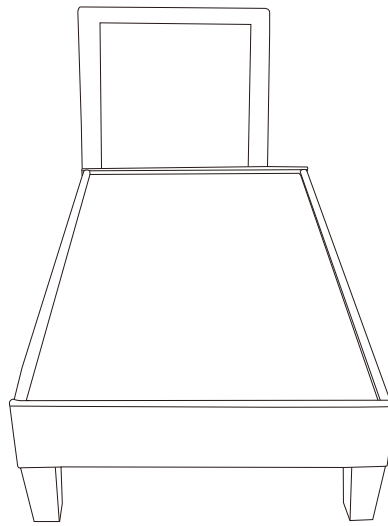


6

The chaise lounge frame installation is complete.



Left side

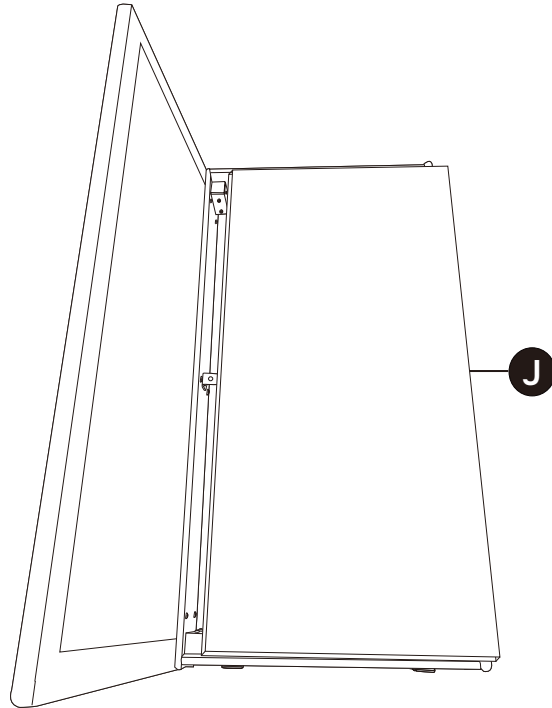


Right side



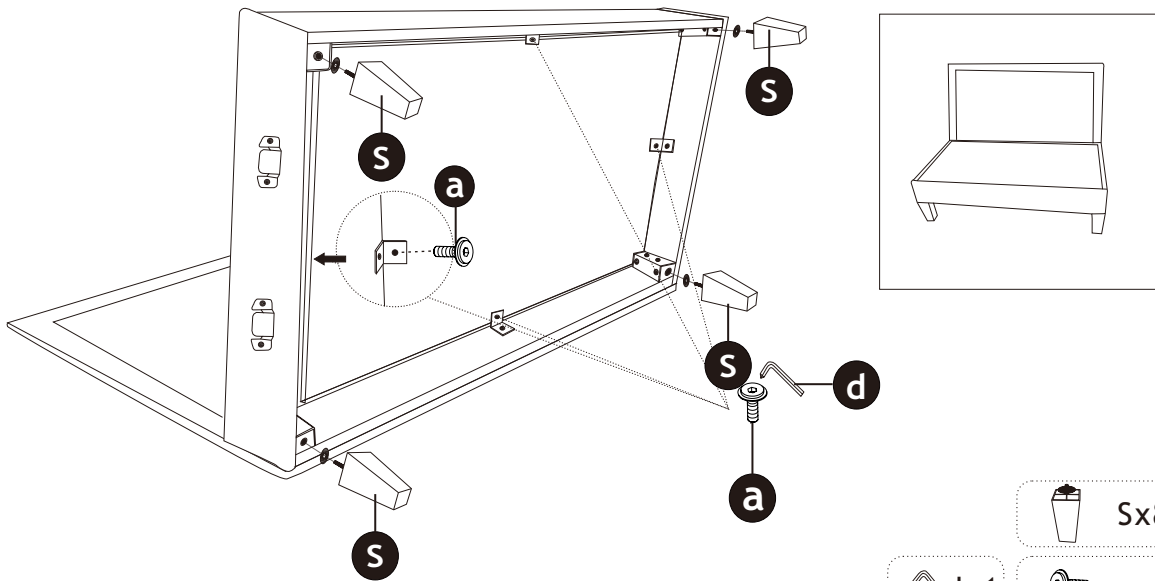
9

Place the two-seat frame (J) on top of the two-seat base.



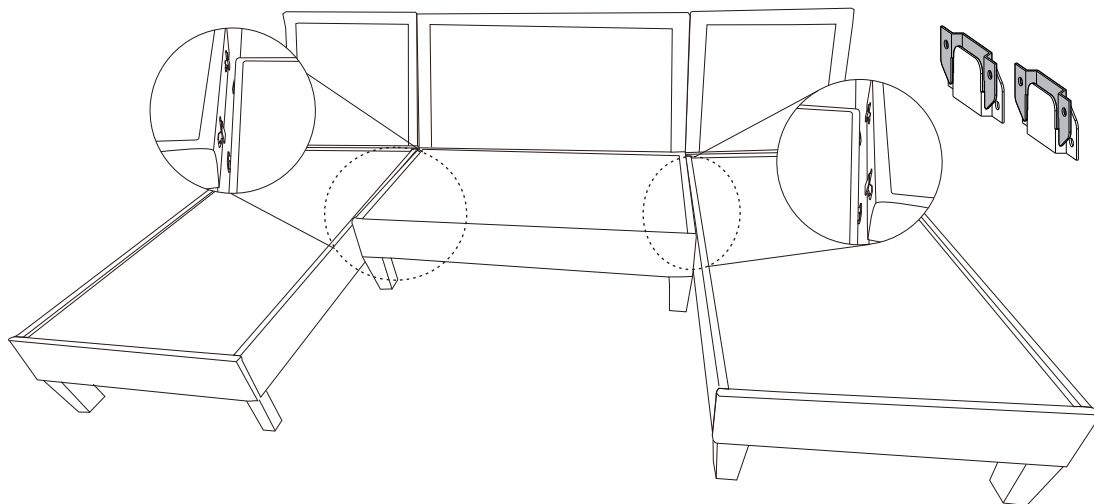
10

Lay the two-seat base on its side, secure the two-seat frame, and attach the legs (S).



11

Use the dowels to sequentially insert the assembled left and right chaise lounges into the two-seat base.



12

Finally, insert the chaise lounge cushion (N), the two-seat cushion (M), the chaise lounge backrest (F), and the two-seat backrest (G) to complete the installation.

