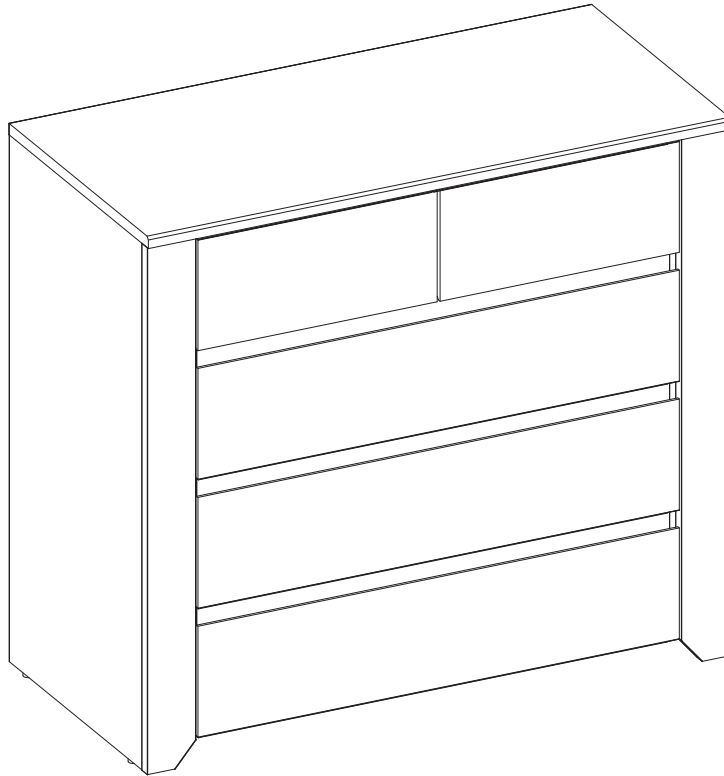



ASSEMBLY INSTRUCTIONS
ITEM NO: WF293807AAW
DESCRIPTION: CHEST OF DRAWER

Please keep for future reference









PLEASE KEEP THE ORIGINAL PACKAGING UNTIL THE ITEM IS FULLY ASSEMBLED AND IN PLACE. IN THE UNLIKELY EVENT THAT YOU NEED TO RETURN YOUR PRODUCT, IT MUST BE RETURNED IN ITS ORIGINAL PACKAGING TO AVOID FURTHER DAMAGE. FAILURE TO COMPLY TO THESE PROCEDURES, NO RETURN'S WILL BE ACCEPTED.



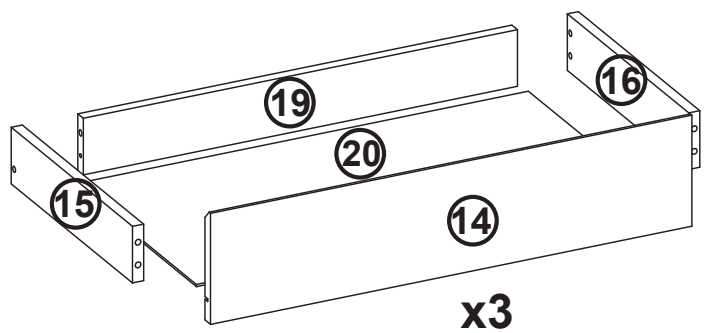
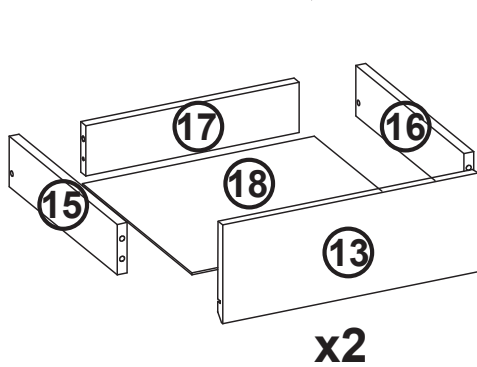
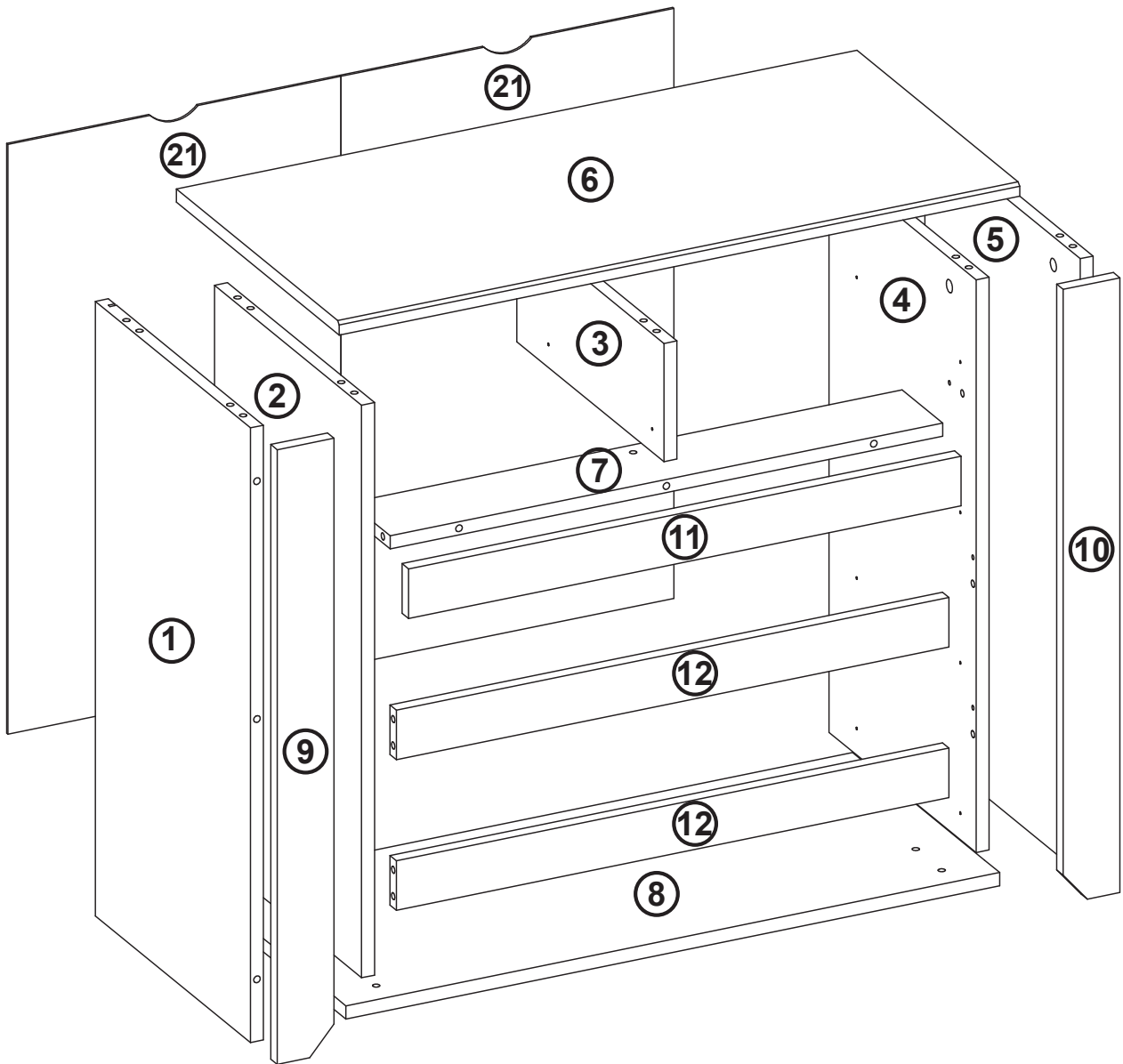
No. people	Assembly Time
	1 Hour (approx.)

" SHOULD IT BE NECESSARY TO RETURN THIS PRODUCT FOR ANY REASON,
IT MUST BE RETURNED IN ITS ORIGINAL PACKAGING"

Important: Read carefully

-  Please check you have all parts listed on your assembly sheet. In the unlikely event that any parts are missing, please contact your retailer immediately.
-  Do not use any other tools than those listed on your assembly sheet / tools provided. Use of power tools could damage your product and returns would not be accepted back in these circumstances. Use of power tools could also make your product unsafe due to overtightening.
-  Depending on the amount of use your product receives, it may be necessary to tighten the fixings from time to time.
-  Assemble your product on a soft surface to avoid scratching and also preferably in the room intended for use to avoid having to move the product unnecessarily once assembled.
-  For cleaning please use a clean damp cloth or duster. Use of abrasive or chemical cleaners will most likely scratch or damage the surface of your product. We do not accept returns for damages arising from incorrect care of products.
-  Please keep the original packing until your item is fully assembled and in place. In the unlikely event you need to return your product. It must be returned back in its original packing to avoid any damage.
-  The surface of this item is not heat resistant. Please use a mat under hot, cold or wet items to prevent marking.
-  Tighten the screws 70% first and then tighten 100% after all parts/panels are fully installed.

Exploded View



Components - Panels










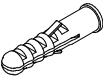




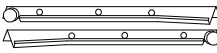


Please check that you have all the components listed below before constructing your items.

Part No	Description	Qty
1	Side Panel - L	1
2	Vertical Panel - L	1
3	Center Panel	1
4	Vertical Panel - R	1
5	Side Panel - R	1
6	Top Panel	1
7	Support Bar	1
8	Bottom Panel	1
9	Side Profile - L	1
10	Side Profile - R	1
11	Center Profile	1
12	Center Support	2
13	Drawer Front	2
14	Drawer Front	3
15	Drawer Side - L	5
16	Drawer Side - R	5
17	Drawer Back	2
18	Drawer Bottom	2
19	Drawer Back	3
20	Drawer Bottom	3
21	Back Panel	2

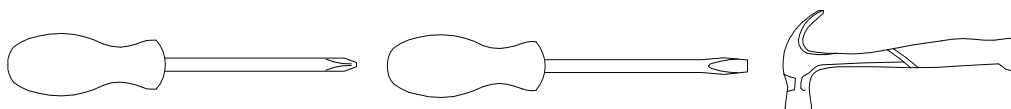
Components - Fixings

Please check that you have all the components listed below before constructing your items.

Note: The quantities below are the correct amount to complete the assembly. In some cases more fittings may be supplied than are required.

(A)	Dowels M8 x 30mm	(B)	Minifix Bolt	(C)	Minifix Cam 12mm	(D)	Minifix Cam 10mm
							
	30 units		39 units		35 units		4 units
(E)	EURO Screw M5 x 8mm	(F)	JCBC Screw M6 x 40mm	(G)	Screw M4 x 38mm	(H)	Screw M3.5 x 16mm
							
	20 units		5 units		22 units		46 units
(I)	Nail Leg	(J)	Wall Plug	(K)	Dowels M8 x 25mm	(L)	Single Plastic Cap
							
	4 units		2 units		4 units		9 units
(M)	Nails	(N)	Drawer Slide 14"	(O)	Drawer Slide 14"	(P)	L-Bracket
							
	26 units		5 sets		5 sets		2 units
(Q)	Allen Key M4						
							
	1 unit						

Tools Required (Not Included)



Prepared By: Faiz

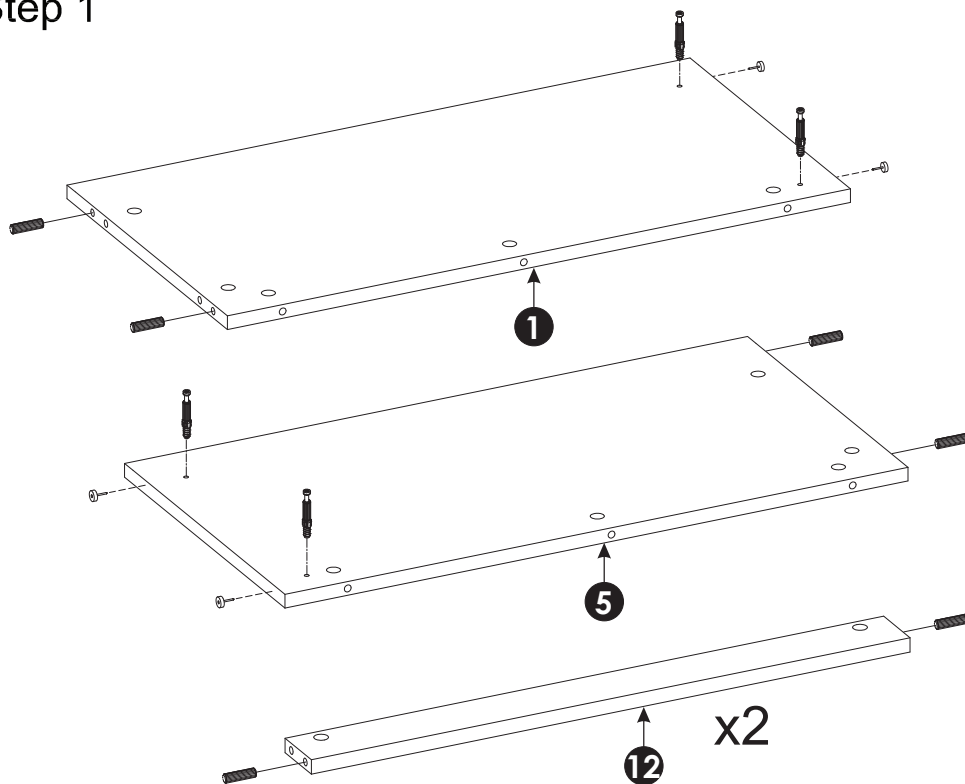
Checked By:


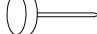

Date: 17 JUN 2022

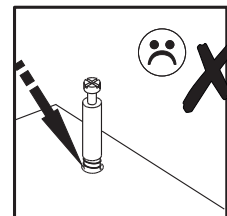
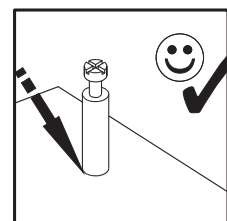
Date:

Assembly Instructions

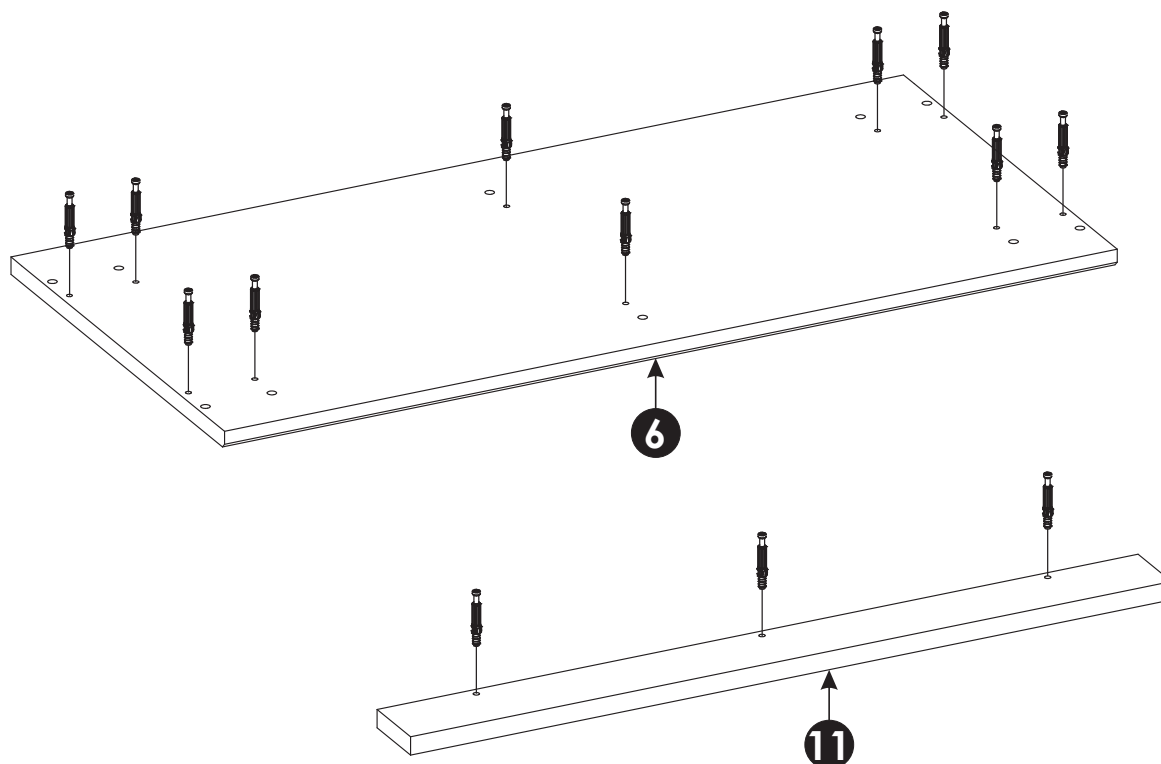
Step 1




		
A x 8	I x 4	B x 4

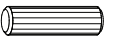


Step 2

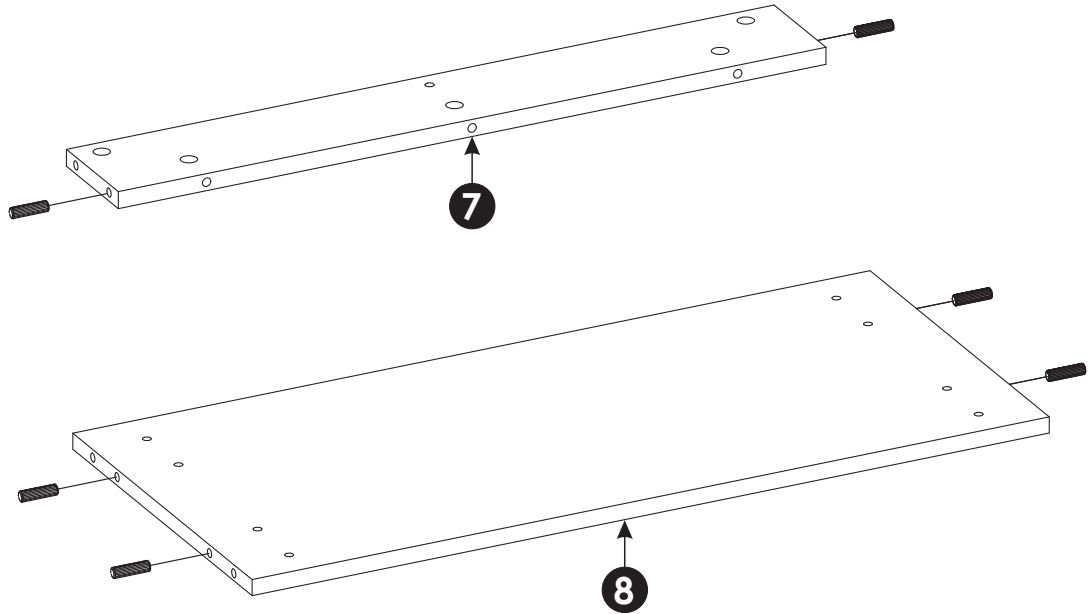



B x 13

Step 3



A x 6



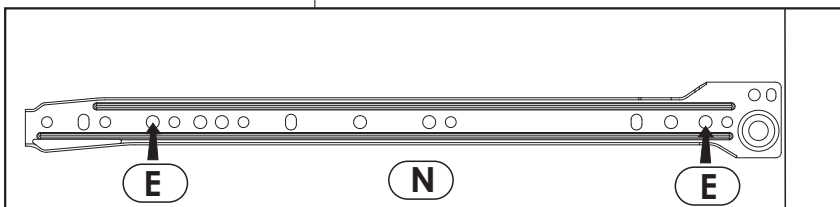
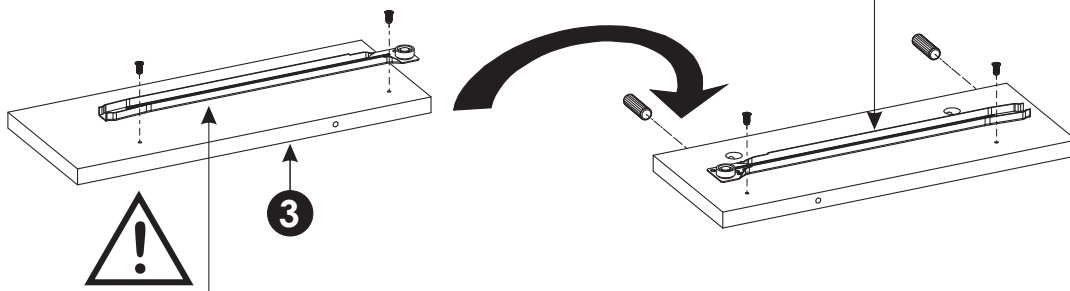
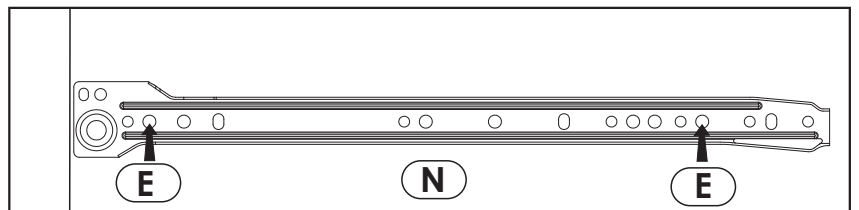
Step 4



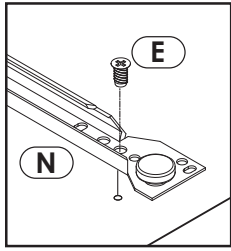
E x 4






A x 2

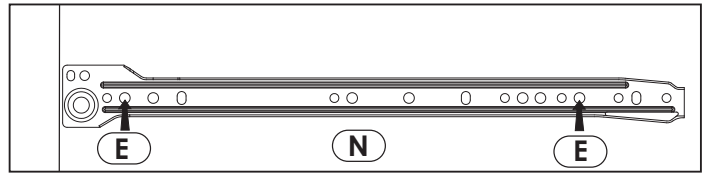
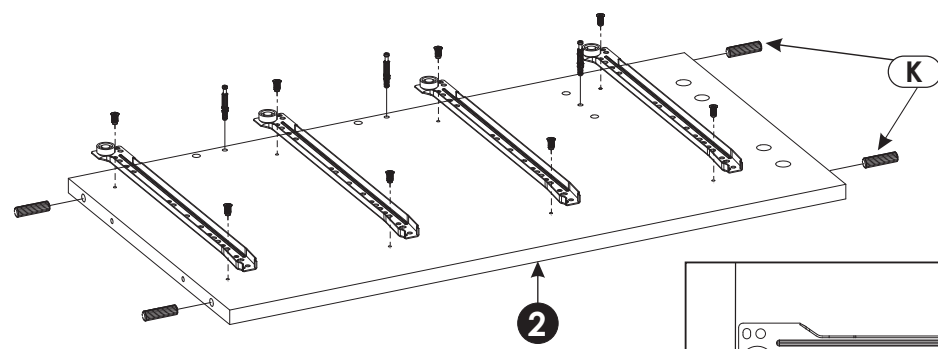
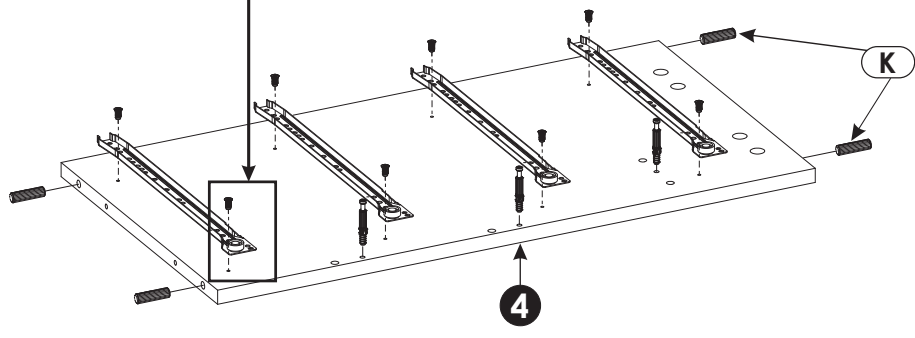
N x 1




Step 5

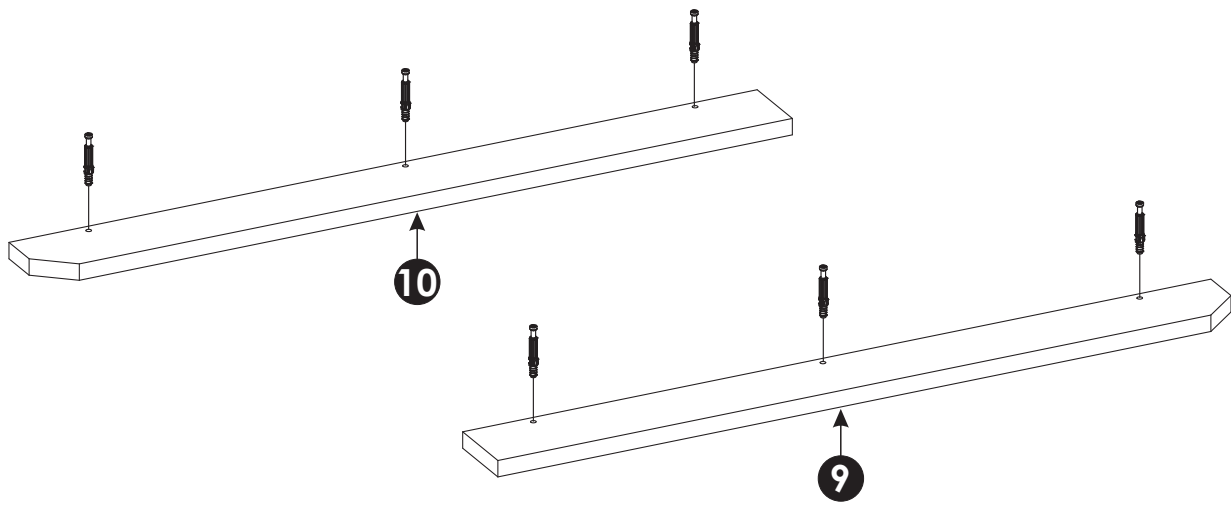


				
B x 6	A x 4	E x 16	K x 4	N x 4



Step 6

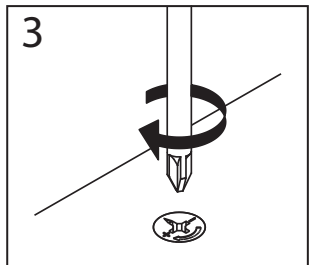
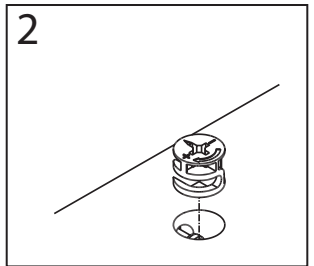
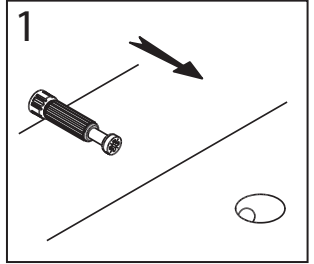
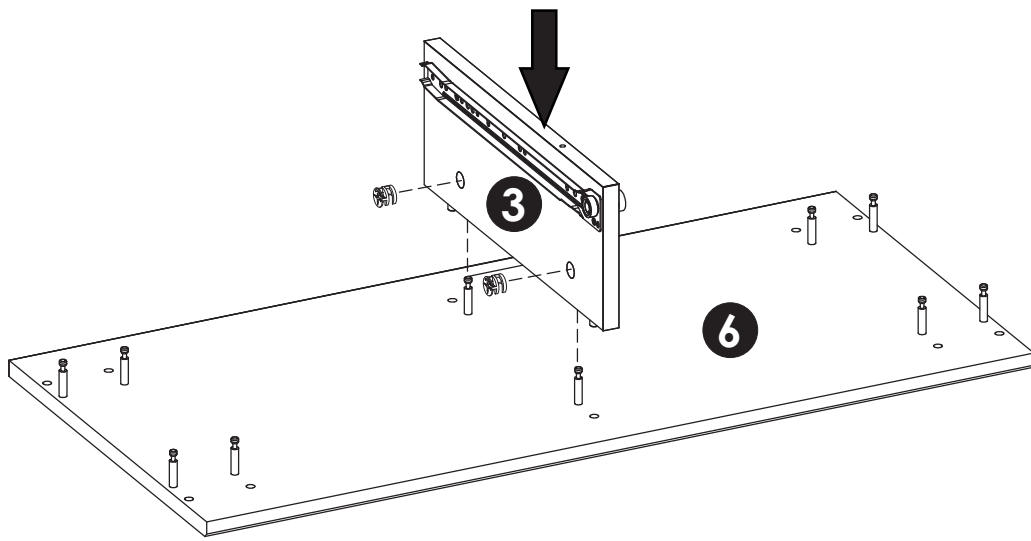

B x 6



Step 7



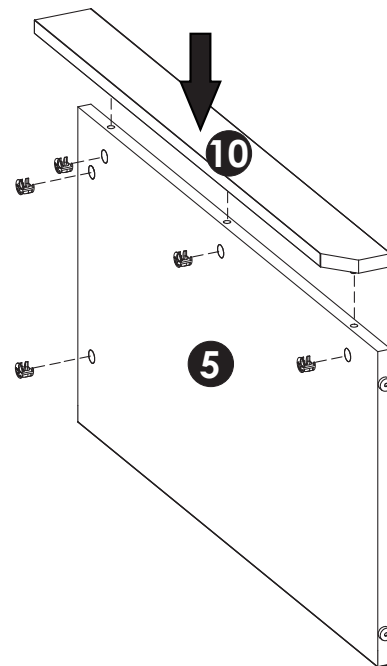
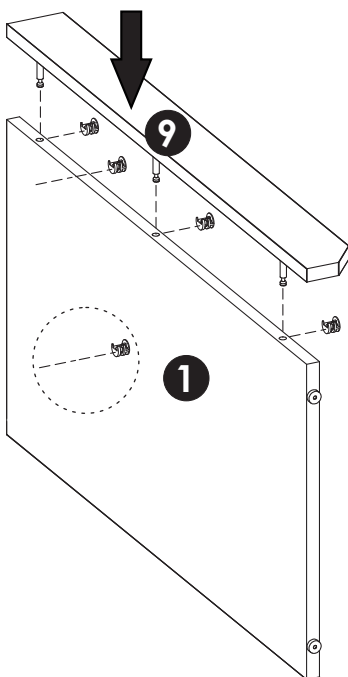
C x 2



Step 8



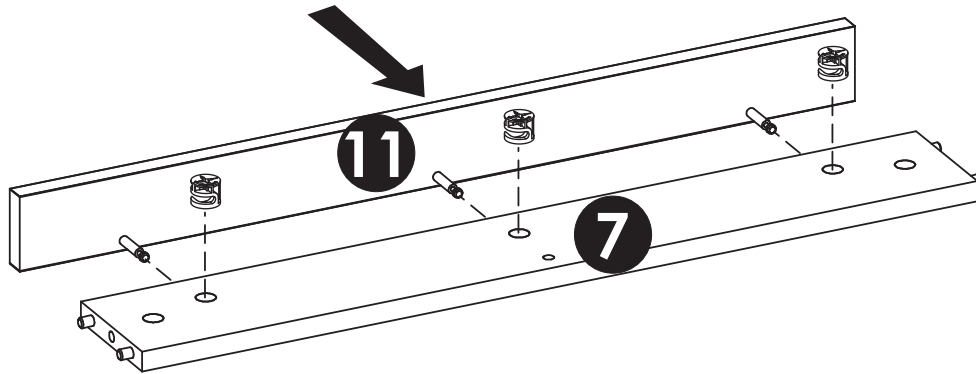
C x 10



Step 9



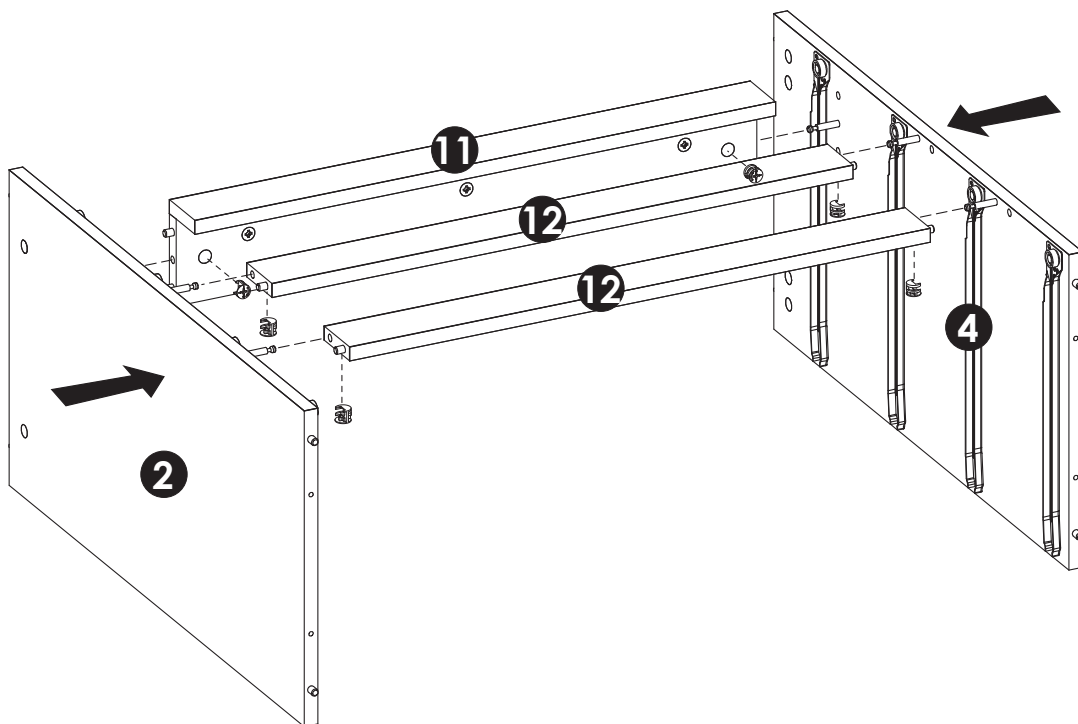
C x 3



Step 10



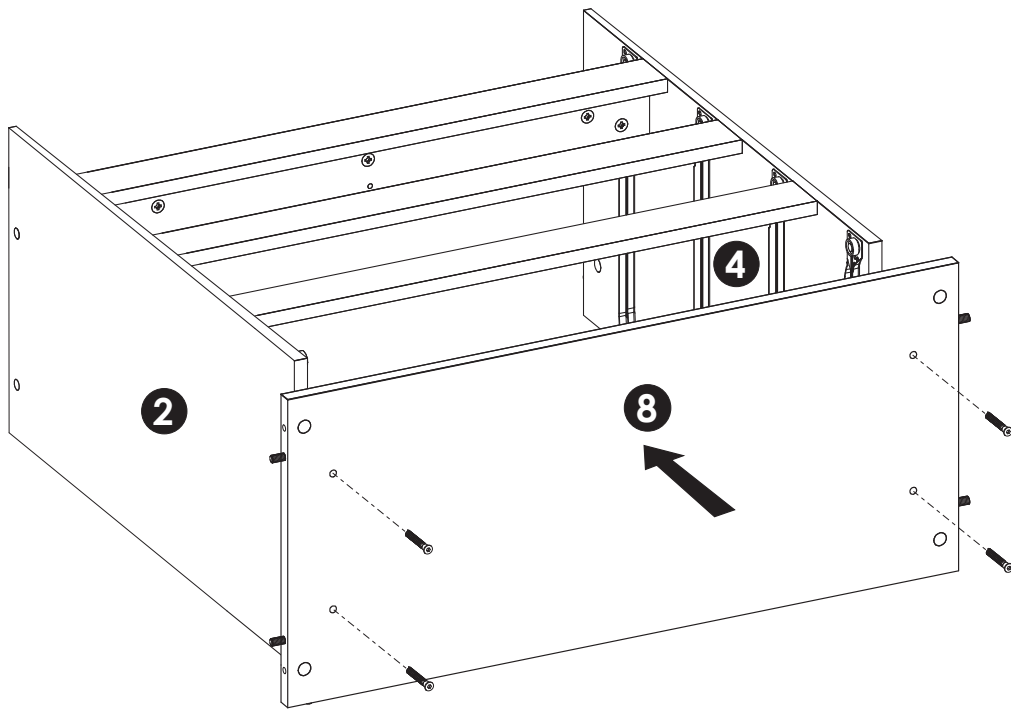
C x 6



Step 11



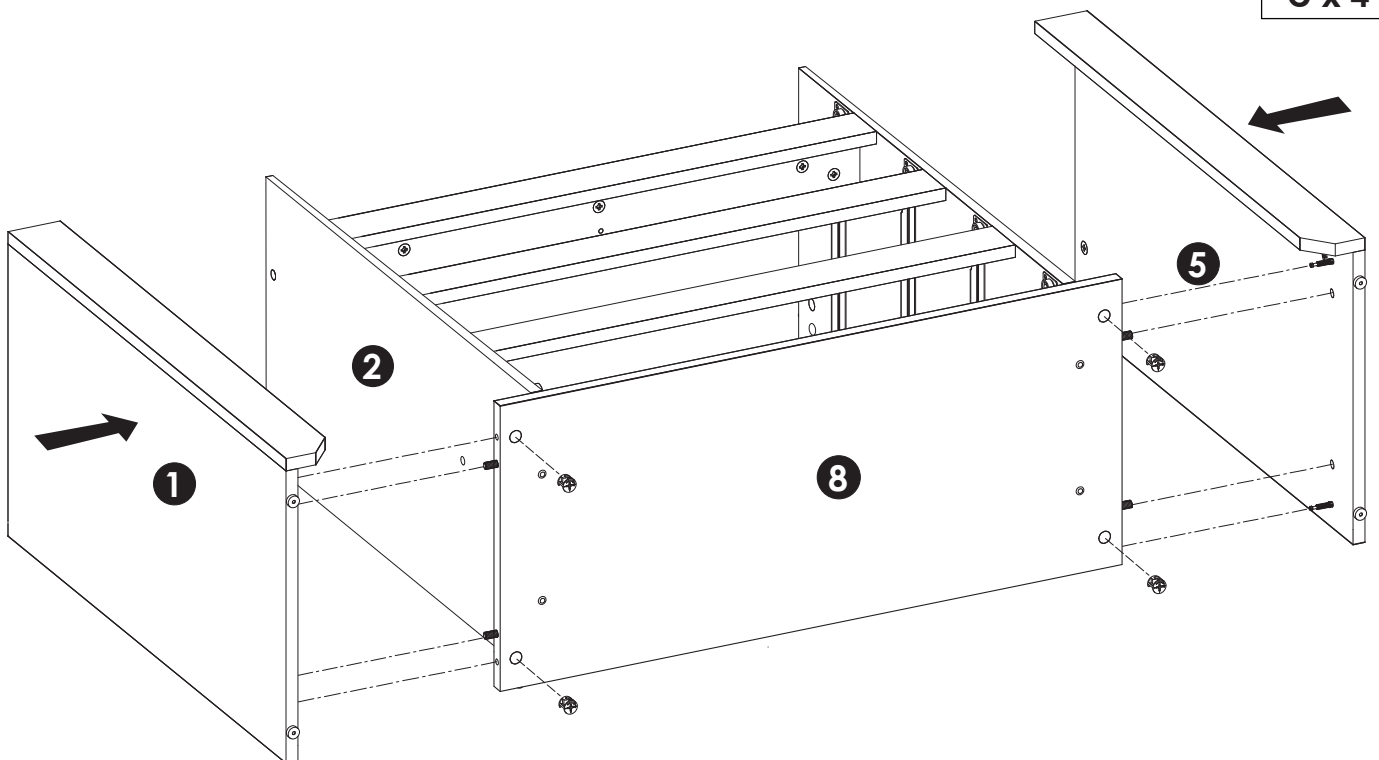
F x 4



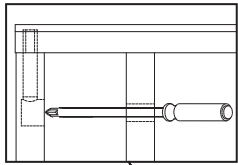
Step 12



C x 4

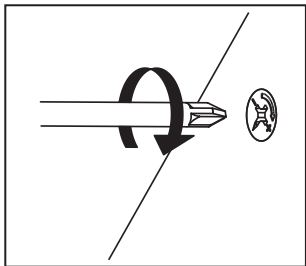
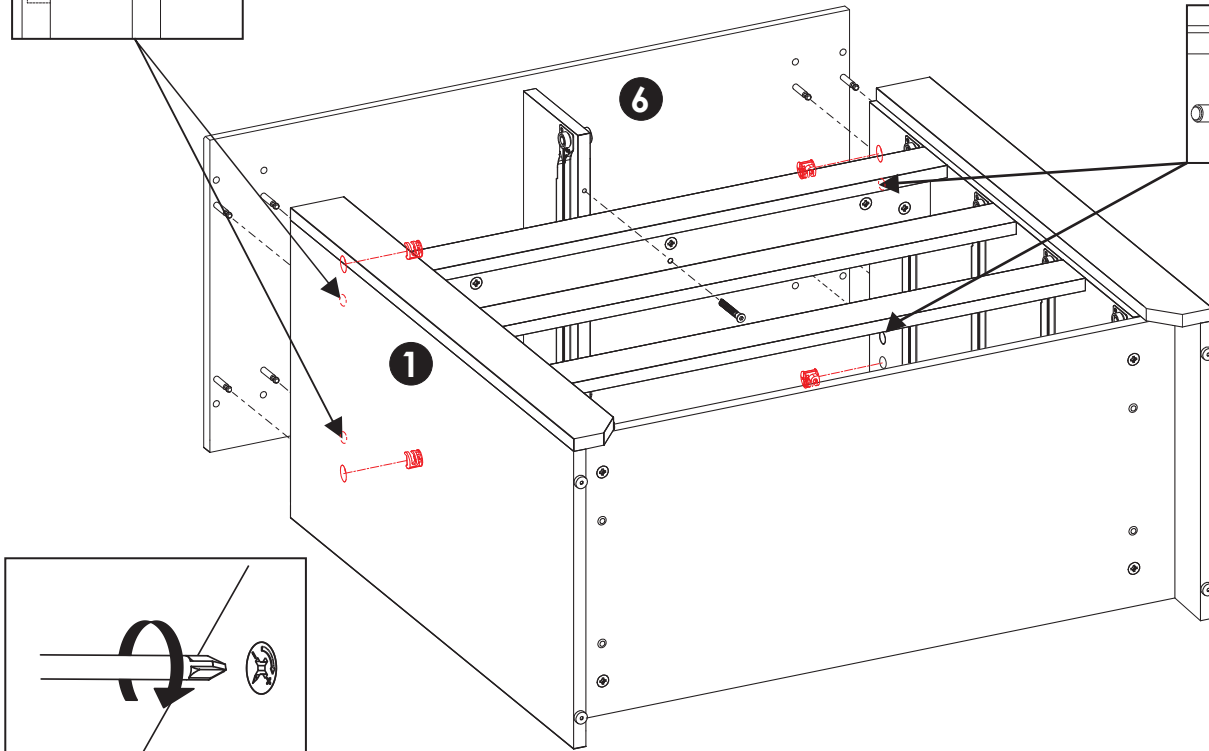
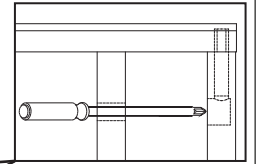


Step 13

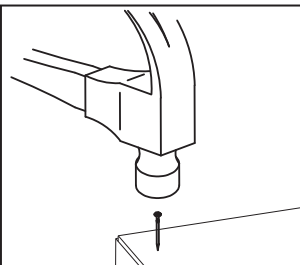


D x 4

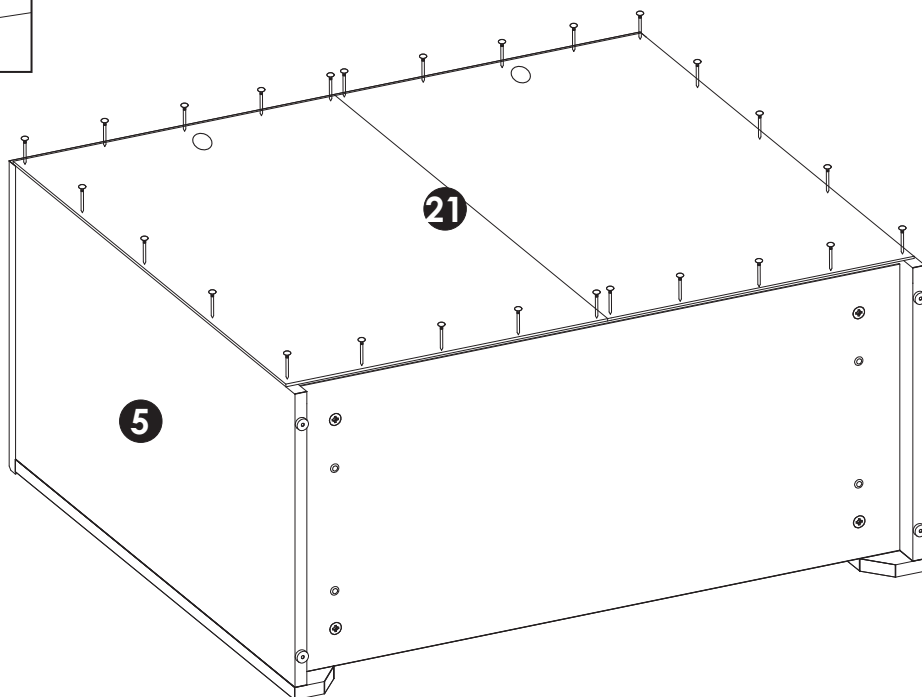
F x 1





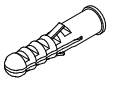

Step 14

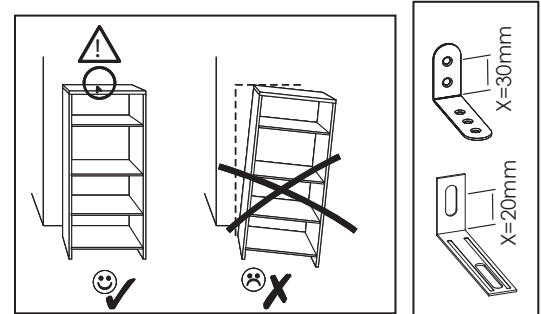
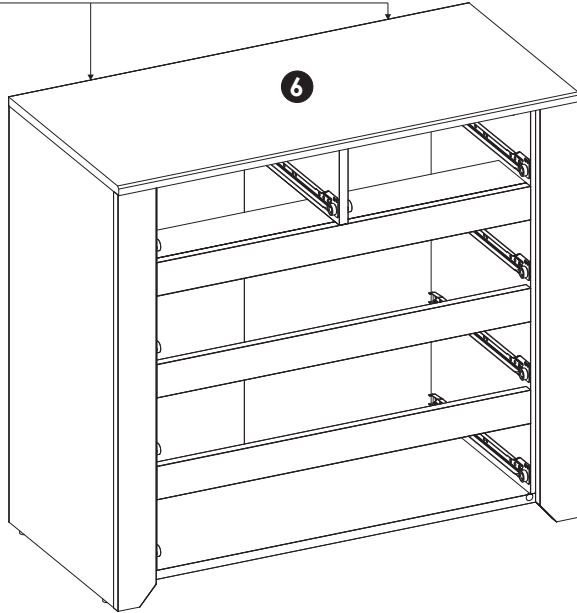
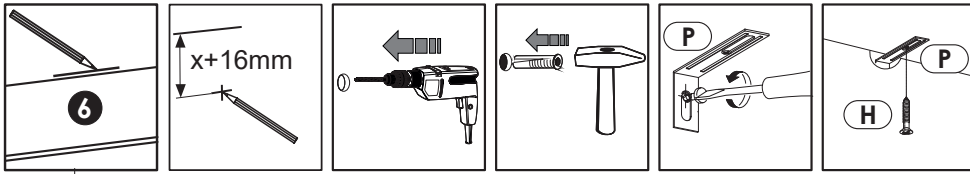


M x 26





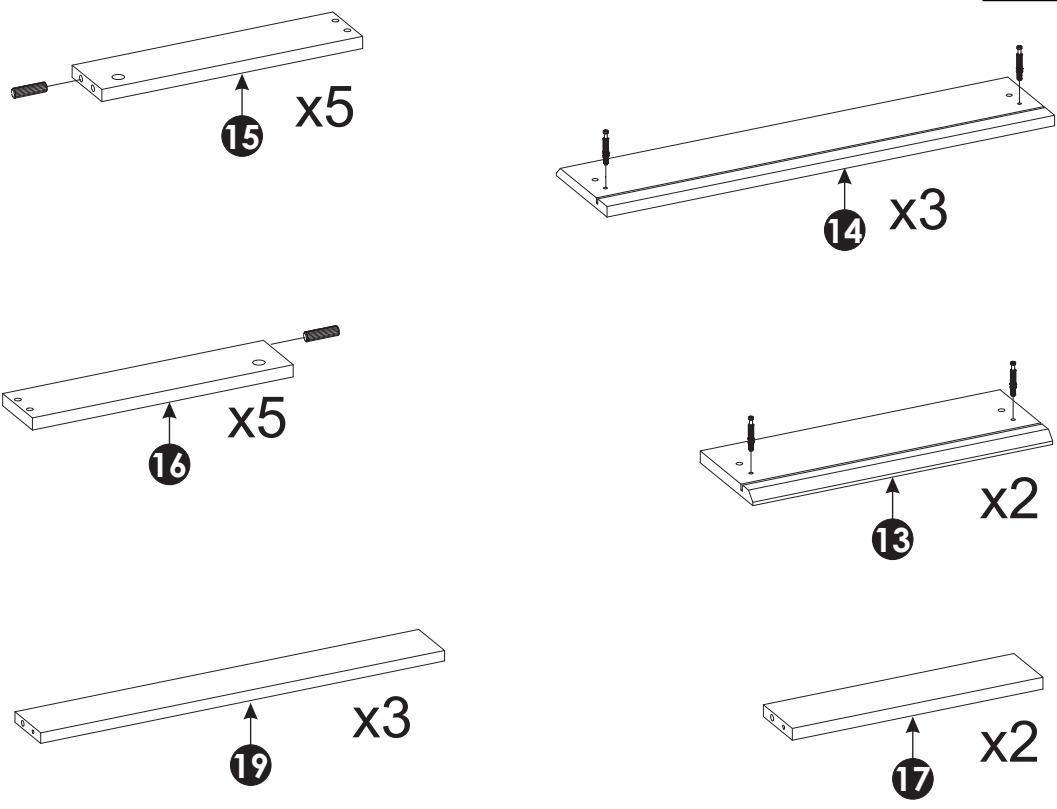
Step 15

			
H x 2	G x 2	J x 2	P x 2



Step 16

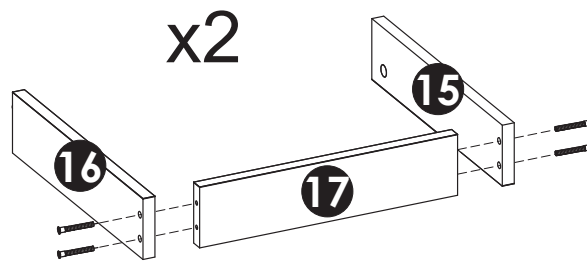
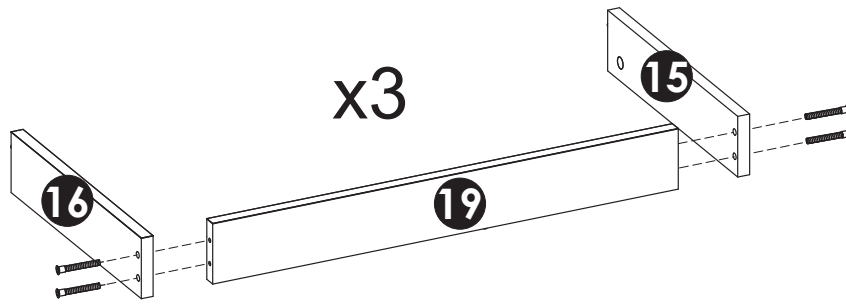
	
A x 10	B x 10



Step 17



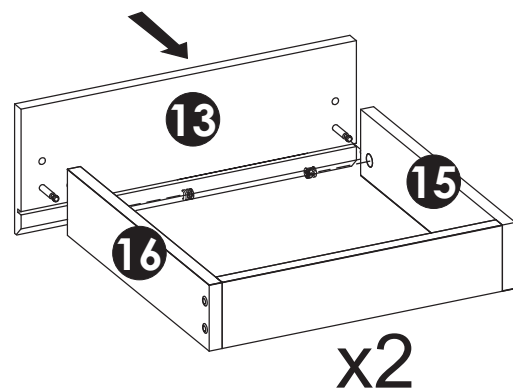
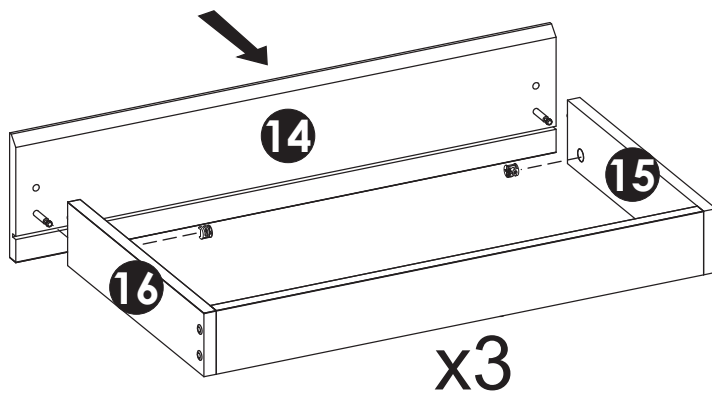
G x 20



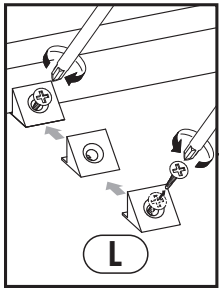
Step 18

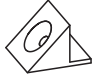



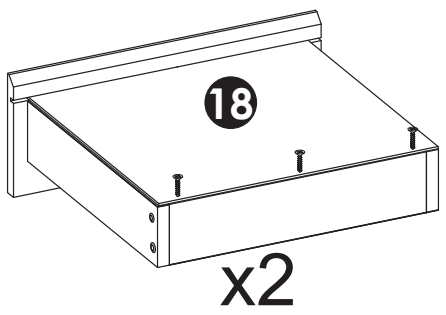
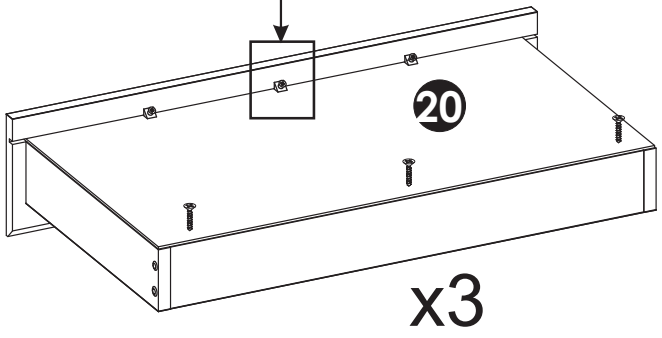
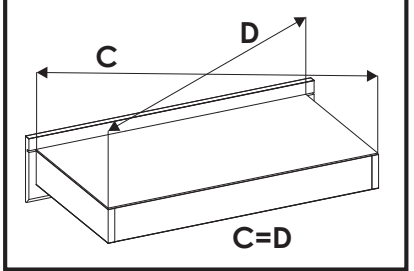
C x 10




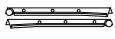
Step 19

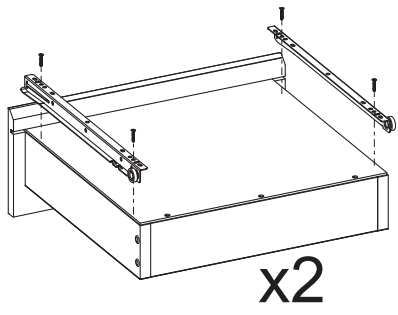
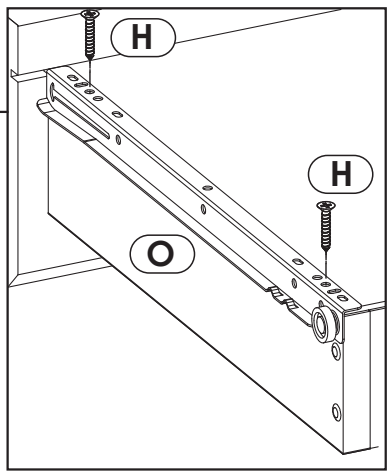
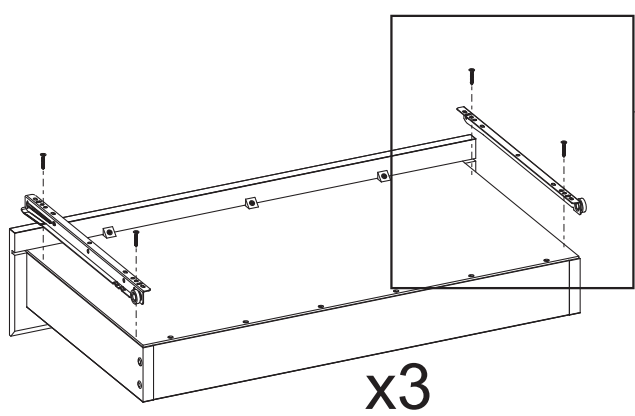


	
L x 9	H x 24

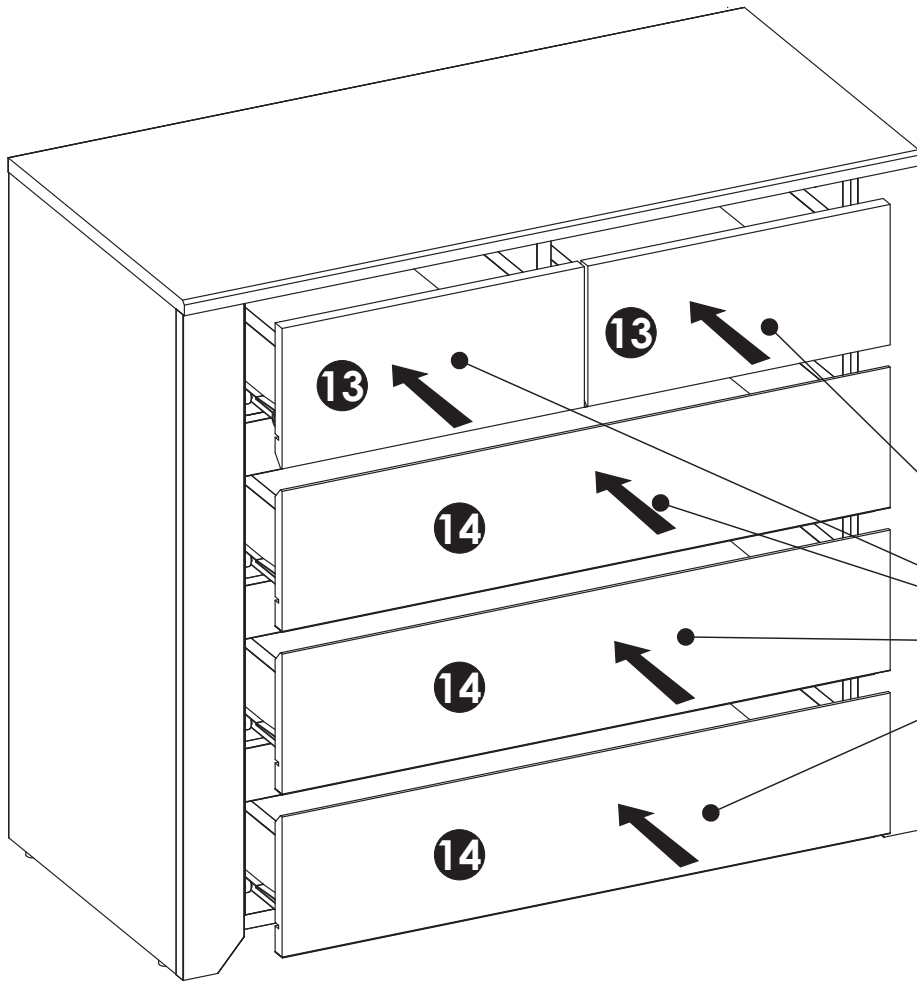
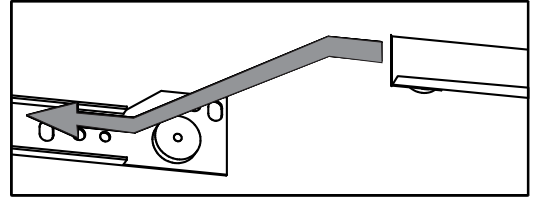


Step 20

	
H x 20	O x 5



Step 21



 max.
5 kg