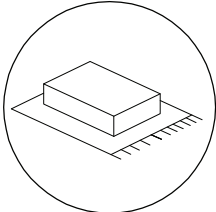
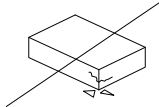

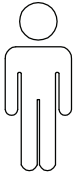
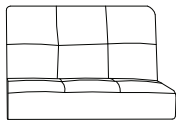
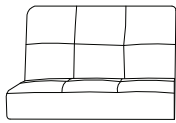



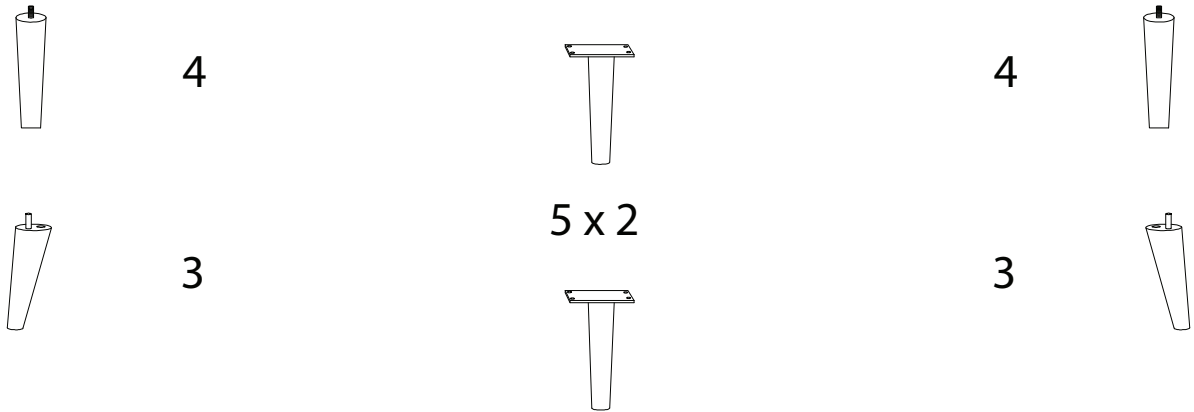
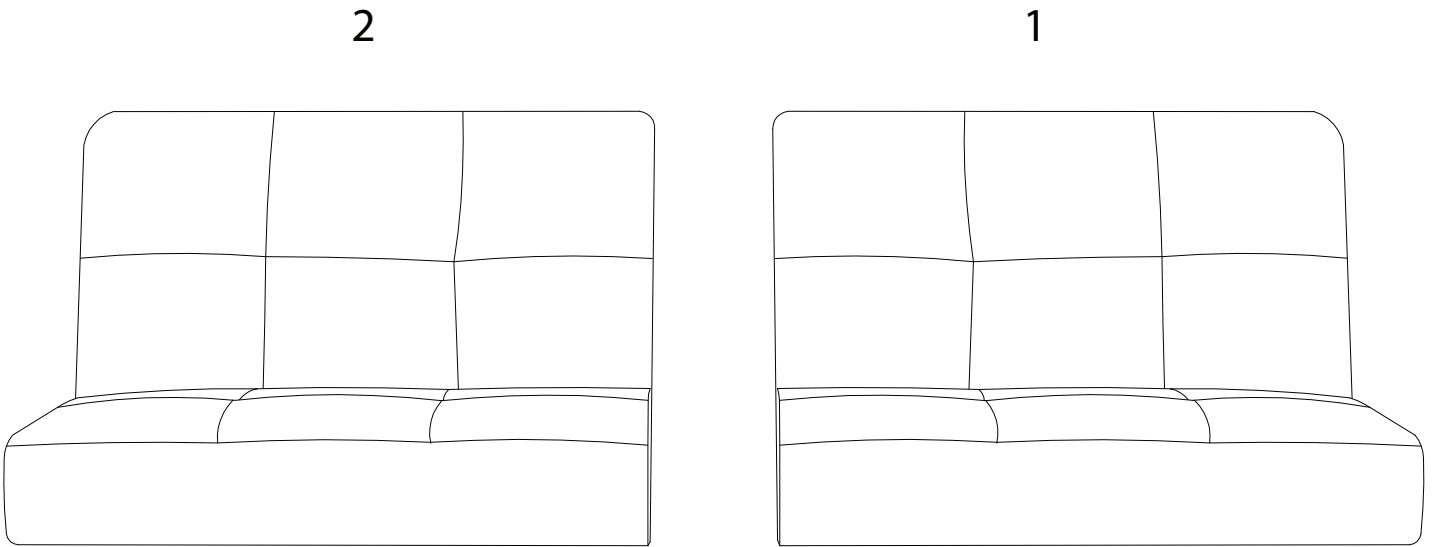
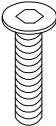
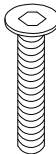
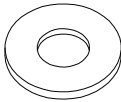

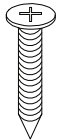
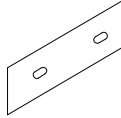

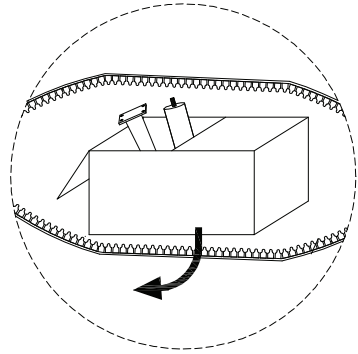
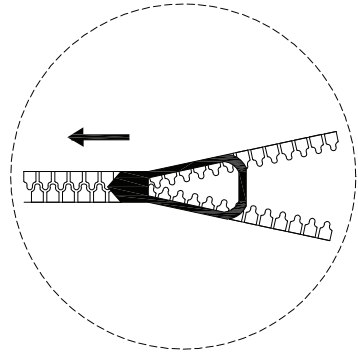
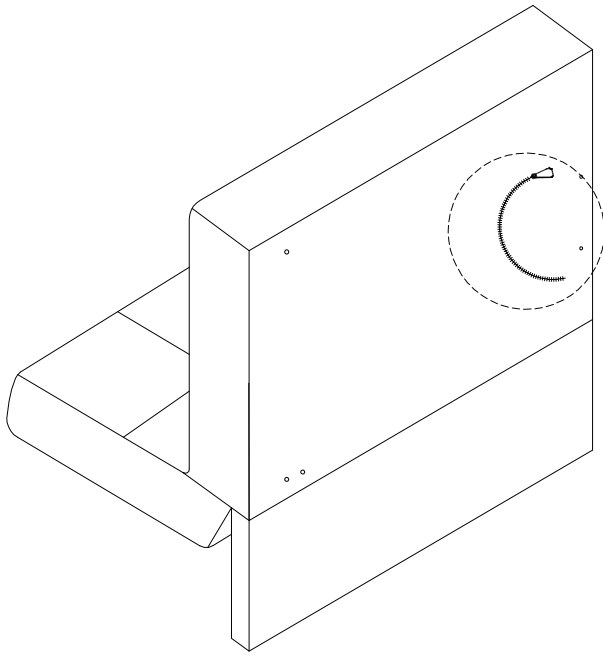

		20'
 		
		1

1	2	3	4	5
				
x 1	x 1	x 2	x 2	x 2

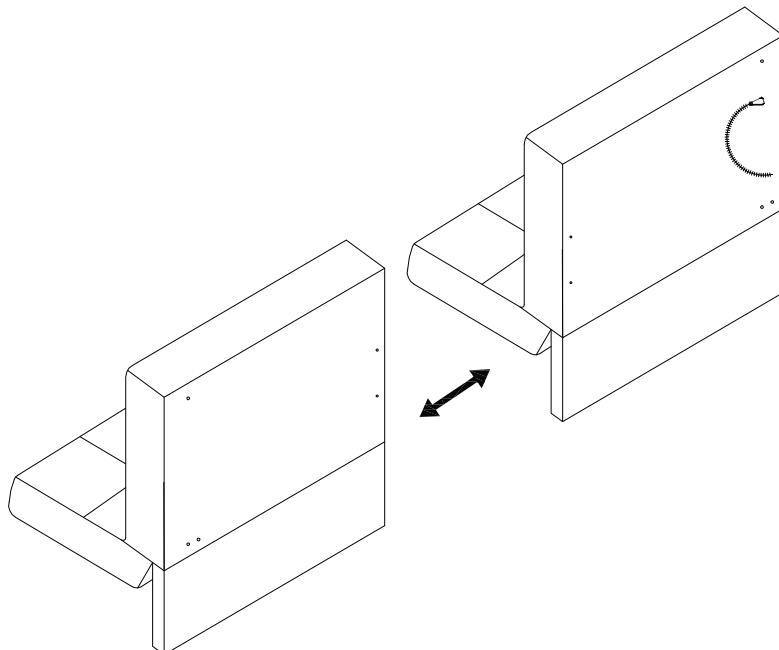
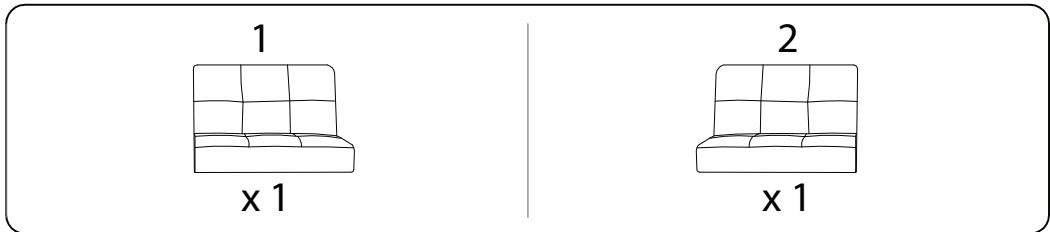


A	B	C	D	E	F	G
						
M6 x 40 x 4	M7 x 60 x 2	x 6	x 2	M2 x 15 x 8	x 2	x 1

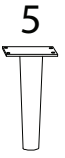
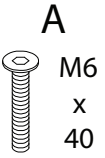
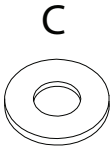
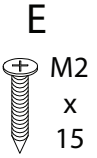
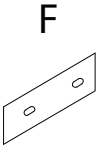
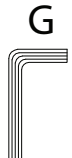
!

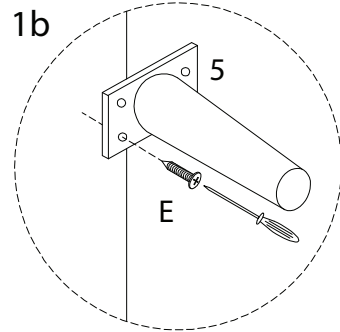
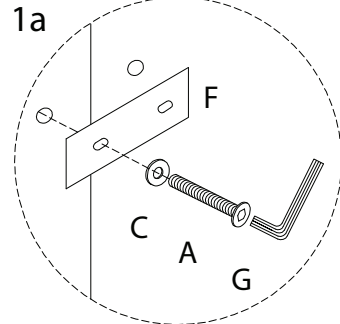
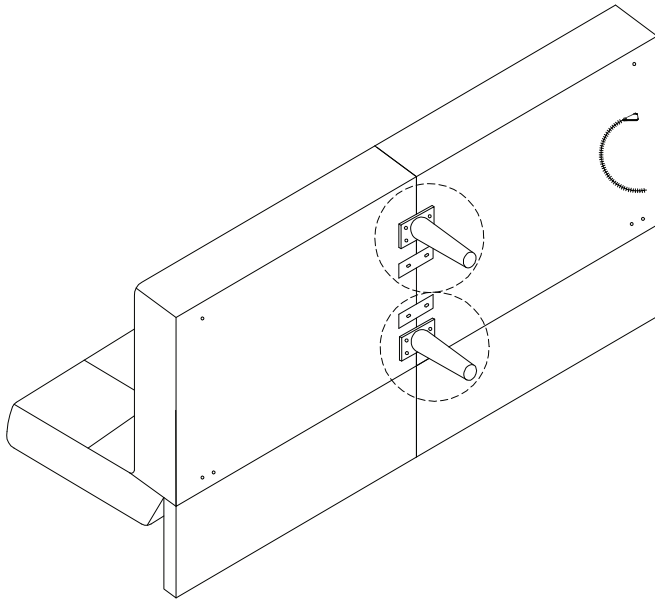


1



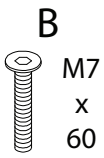
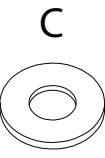
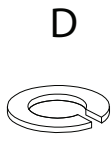



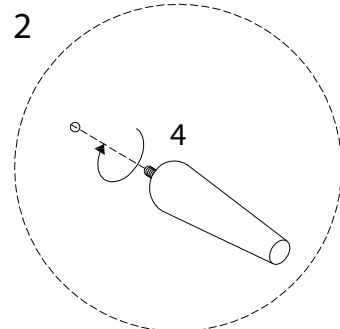
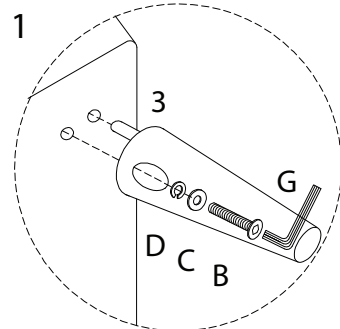
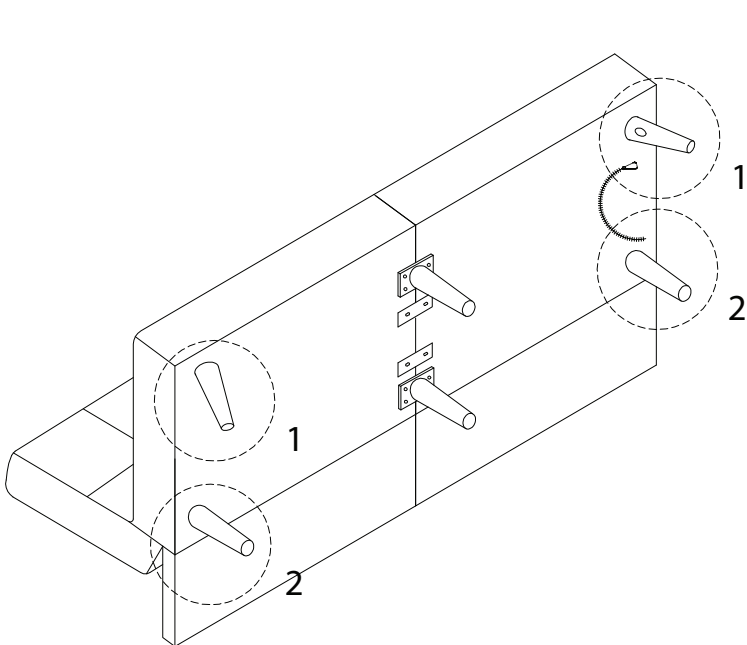
2

 5 x 2	 A M6 x 40 x 4	 C x 4	 E M2 x 15 x 8	 F x 2	 G x 1
---	---	---	--	---	---



3

 3 x 2	 4 x 2	 B M7 x 60 x 2	 C x 2	 D x 2	 G x 1
---	---	---	--	---	---



4

