

Assembly Instructions for **Model 1407703**



STEP 1

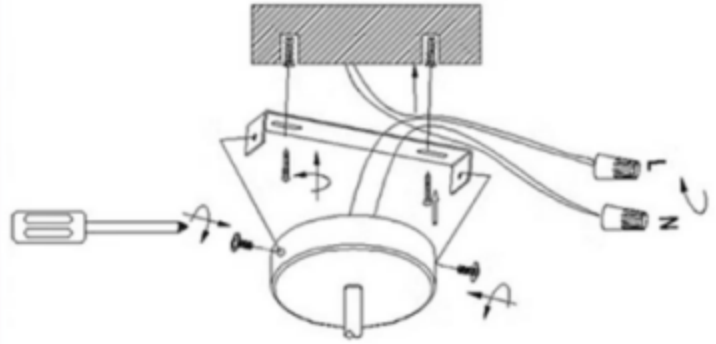
Mark the drilling position on ceiling with the help of the Mounting Bracket.
Drill holes on the marks and stick the expansion anchors into the holes.
Fix the Mounting Bracket to the expansion anchors with self-tapping screws.

STEP 2

Hold the fixture close to ceiling.
Connect the light fixture wires to the home wiring.

STEP 3

Attach the Canopy to the Mounting Bracket.



STEP 4

Clip the lampshade onto the lamp head.

Your fixture is now assembled and ready to use.