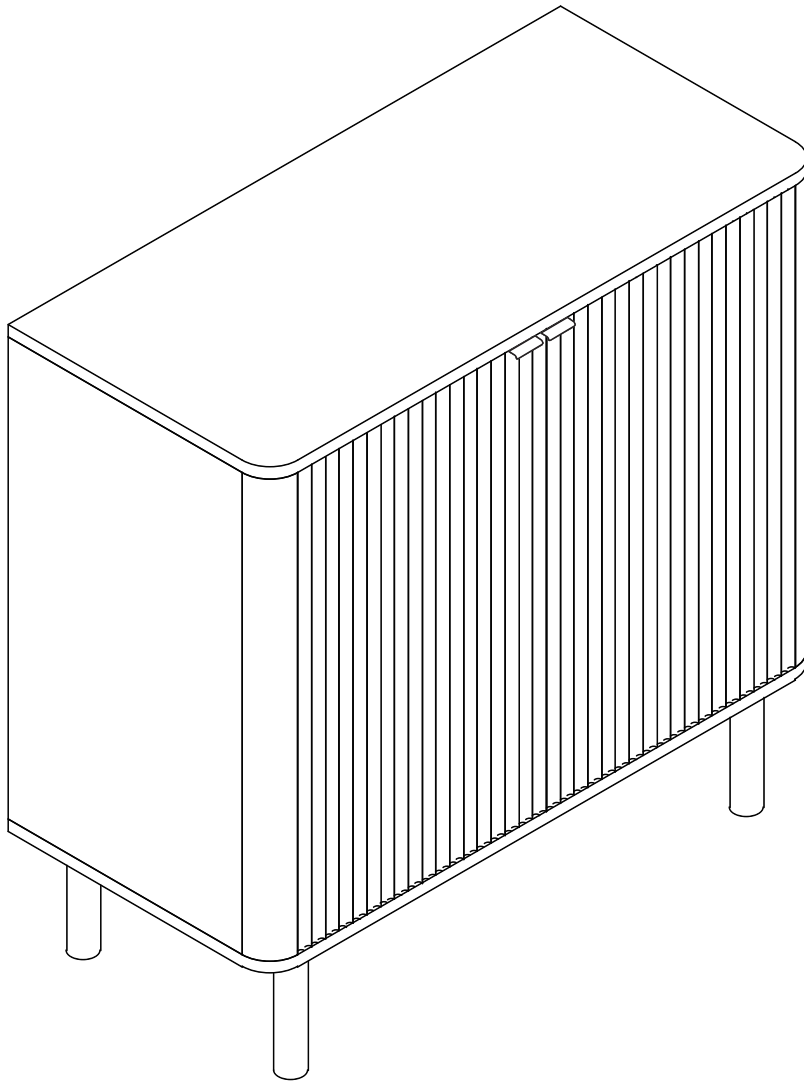


Installation & Assembly



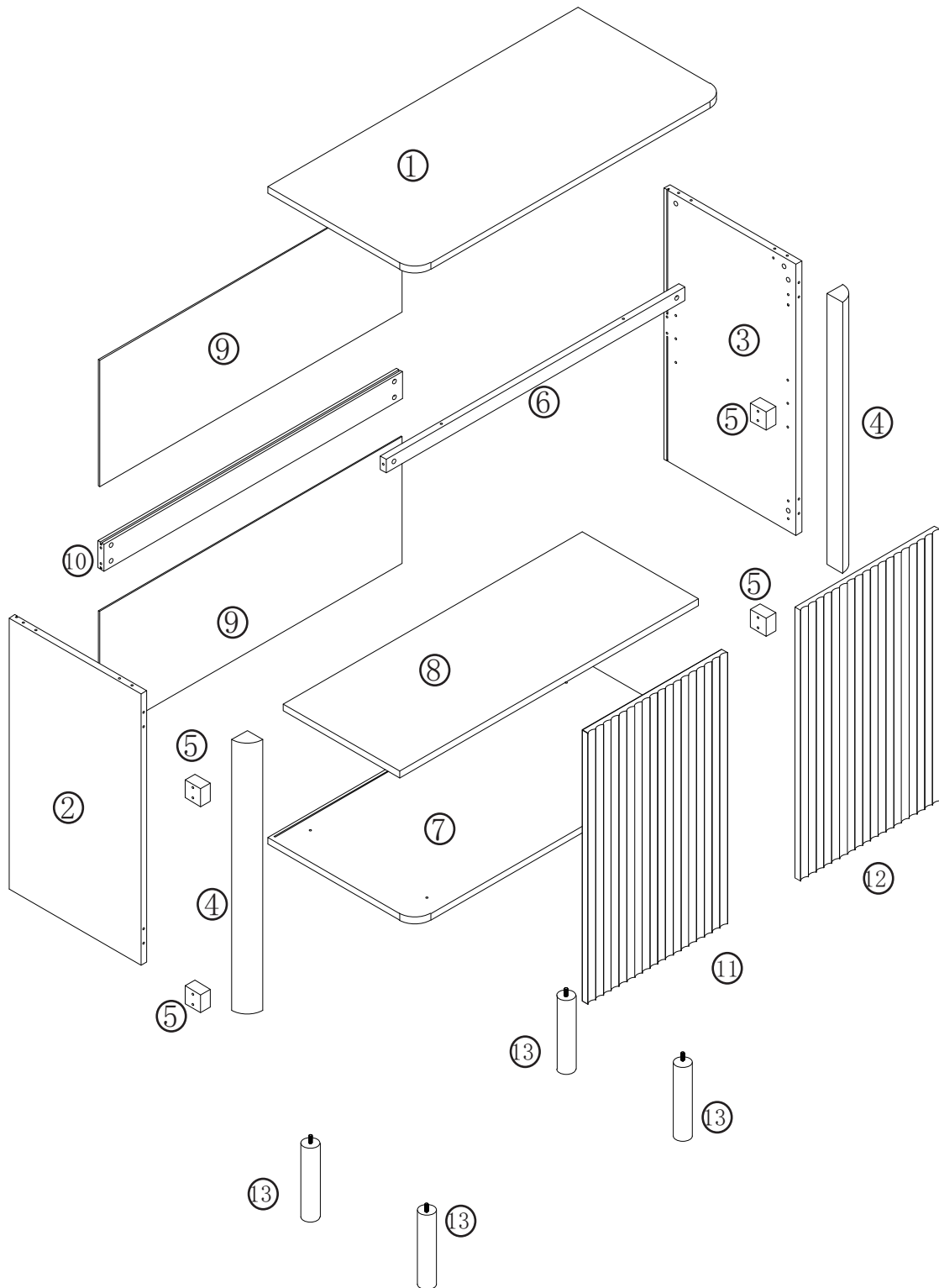
Contact Us

Should you encounter any issues or have any inquiries while using our product, please feel free to reach out to our customer service team. We are dedicated to providing you with support and assistance.

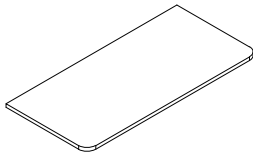
We look forward to hearing from you and will respond promptly to each of your emails. Thank you for choosing our product!

IMPORTANT NOTES:

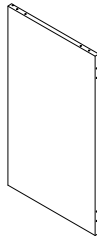
- Carefully remove all parts from the box and place them individually on a flat surface to prevent scratches or other damage.
- Follow these assembly and installation instructions strictly to ensure the product is assembled as intended.



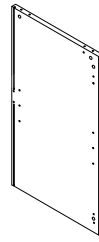
① x1



② x1



③ x1



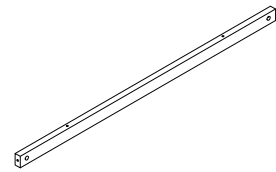
④ x2



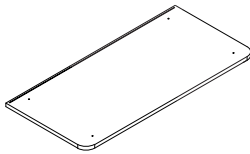
⑤ x4



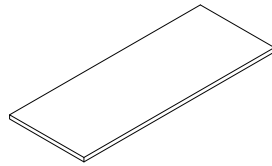
⑥ x1



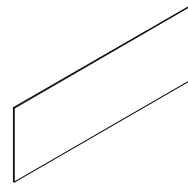
⑦ x1



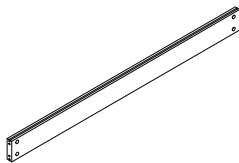
⑧ x1



⑨ x2



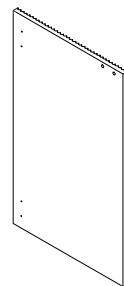
⑩ x1



⑪ x1




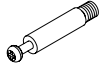
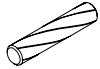
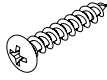
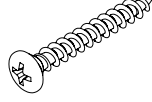
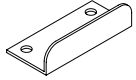

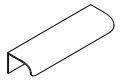
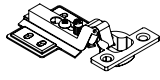
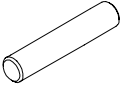
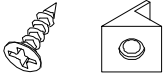



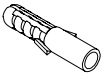

⑫ x1



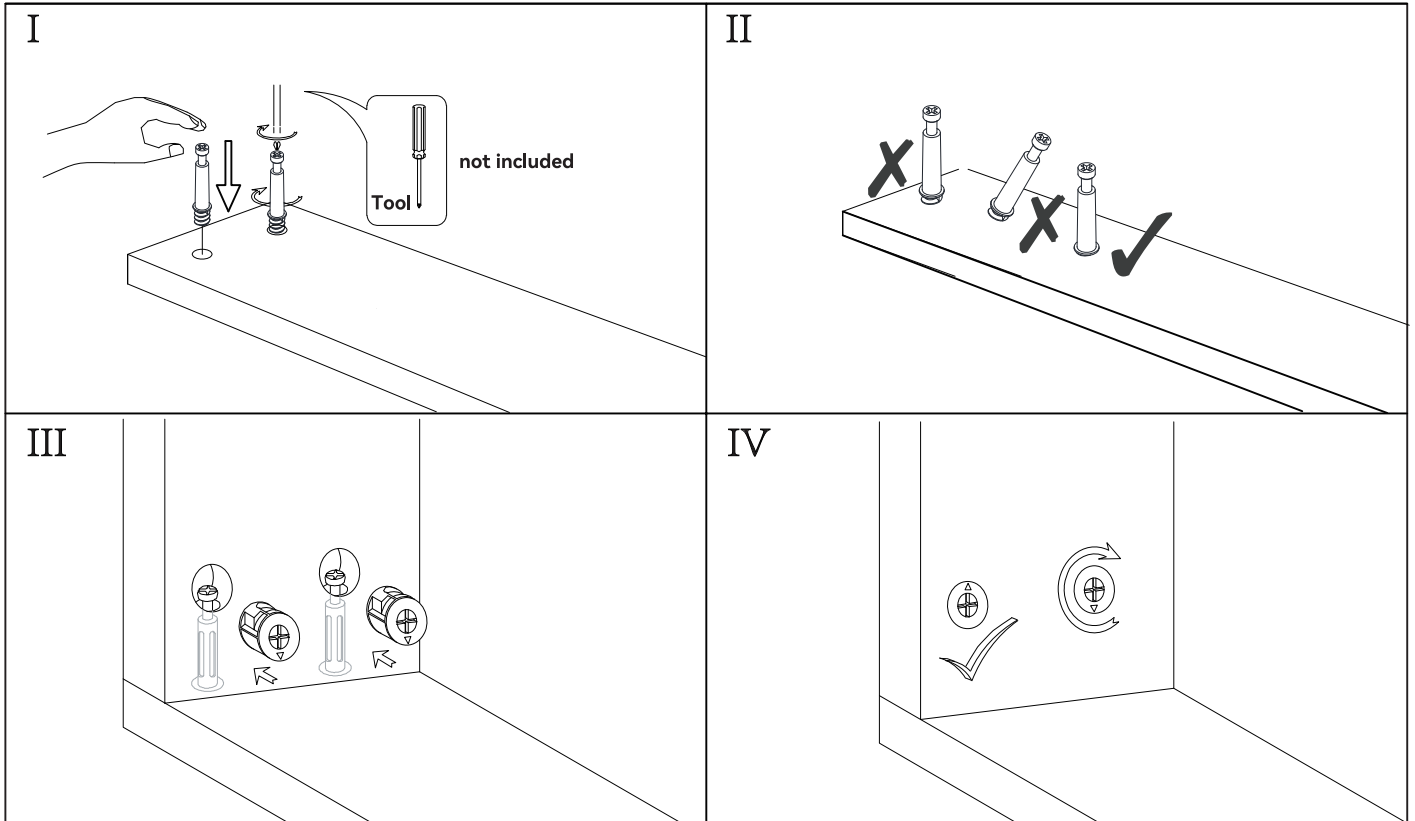
⑬ x4



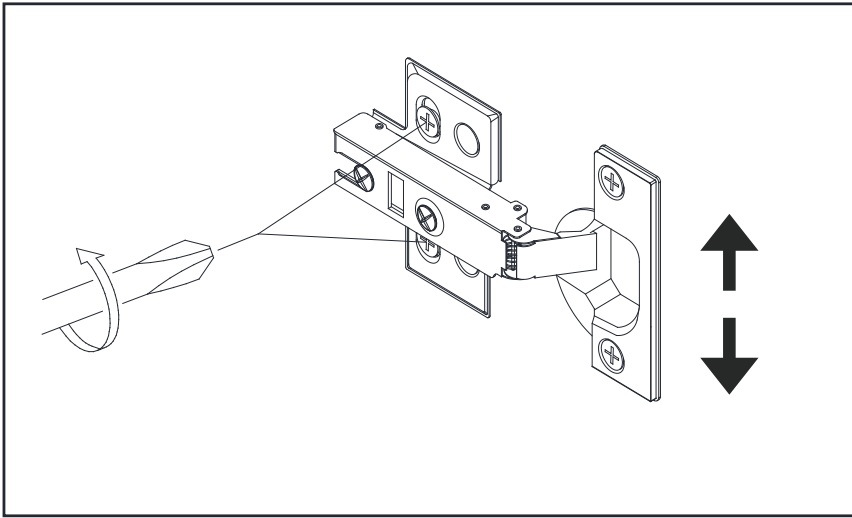
PARTS LIST

					
Ax14	Bx14	Cx12	Dx8	Ex7	Fx1
					
Gx24	Hx2	Ix4	Jx4	Kx8	Lx1
					
Mx2	Nx1	Ox1	Px6		

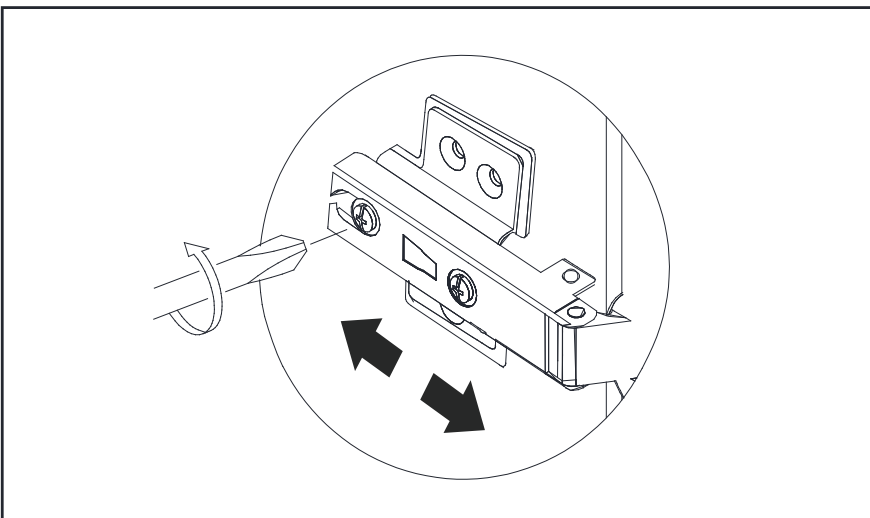
NOTED:



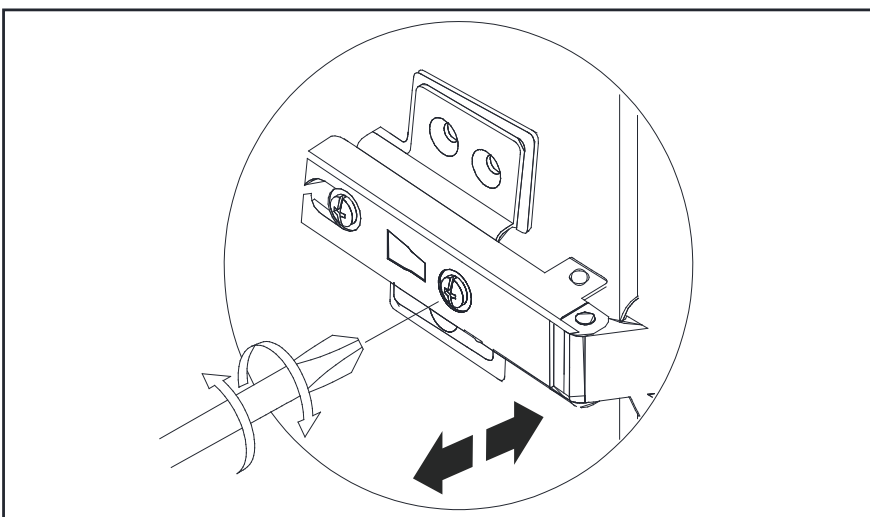
If the door panel is misaligned or the gap is too large, you can use the following method to make slight adjustments.



Top and bottom
adjustment position






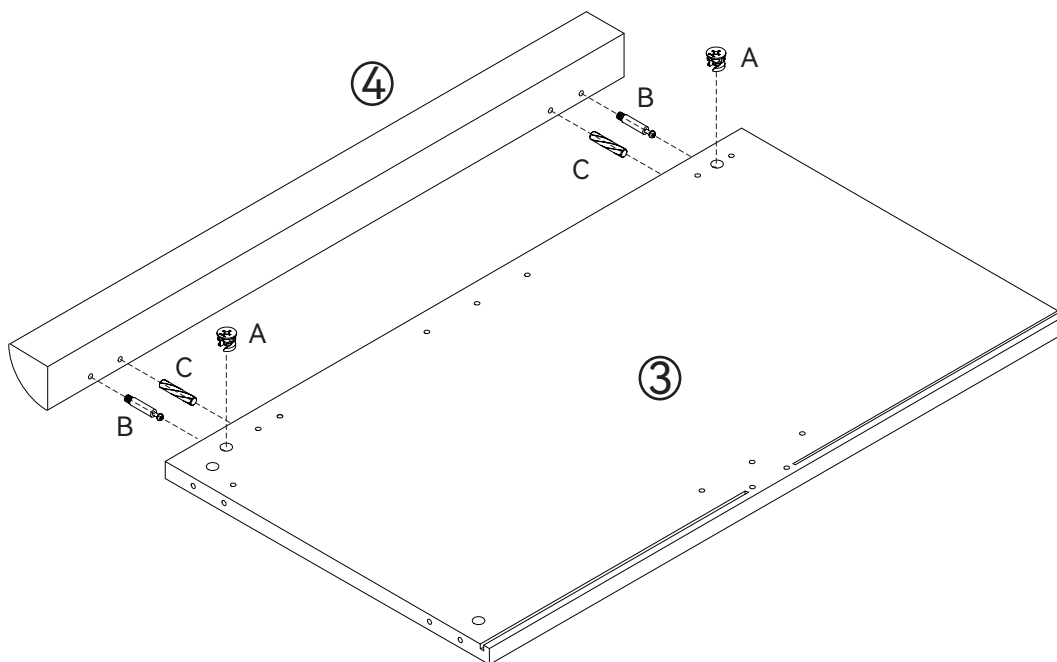
Front and rear
adjustment position



Left and right
adjustment position



Step 1

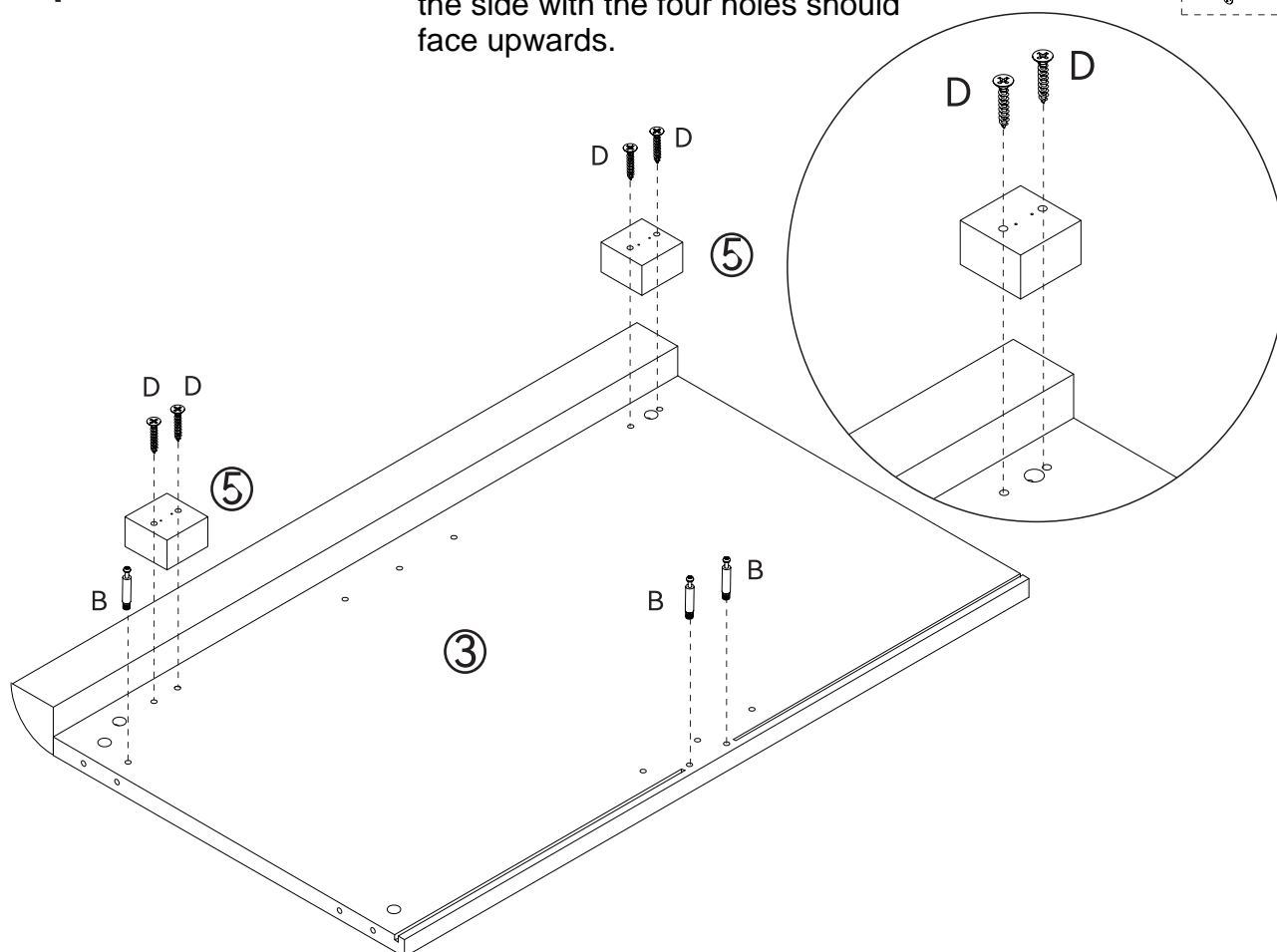
	Ax2
	Bx2
	Cx2






Step 2

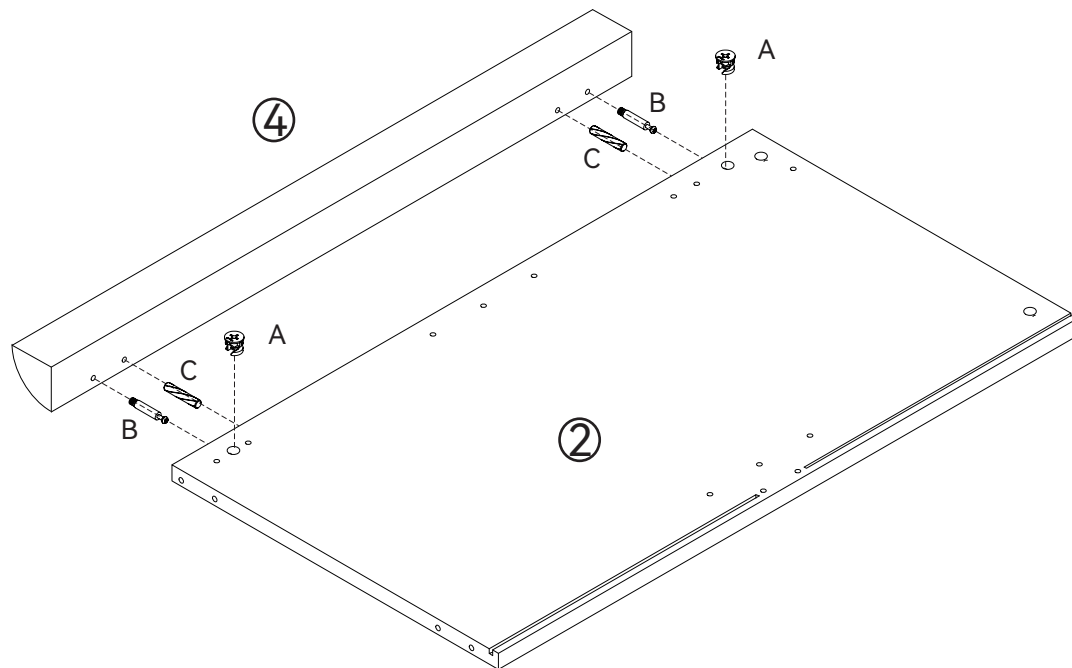
Pay attention to the orientation.
the side with the four holes should
face upwards.

	Bx3
	Dx4




Step 3

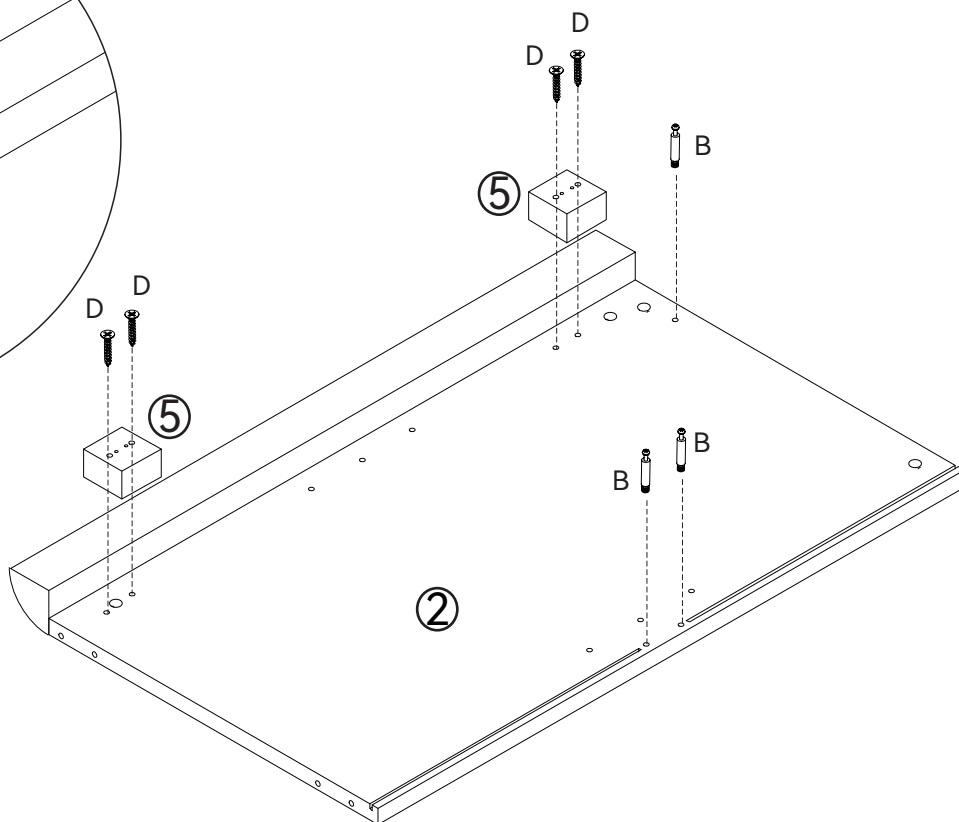
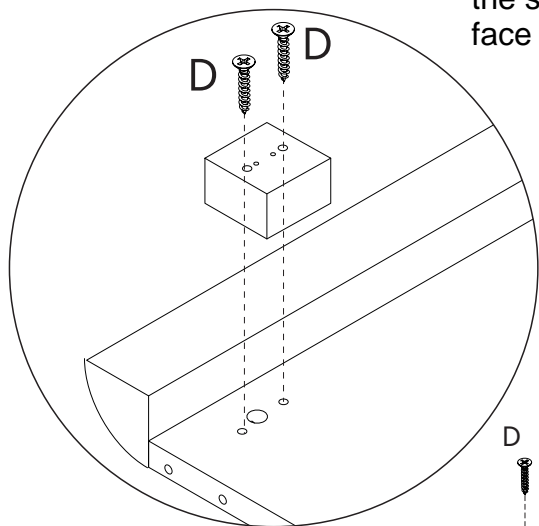
	Ax2
	Bx2
	Cx2



Step 4

Pay attention to the orientation.
the side with the four holes should
face upwards.

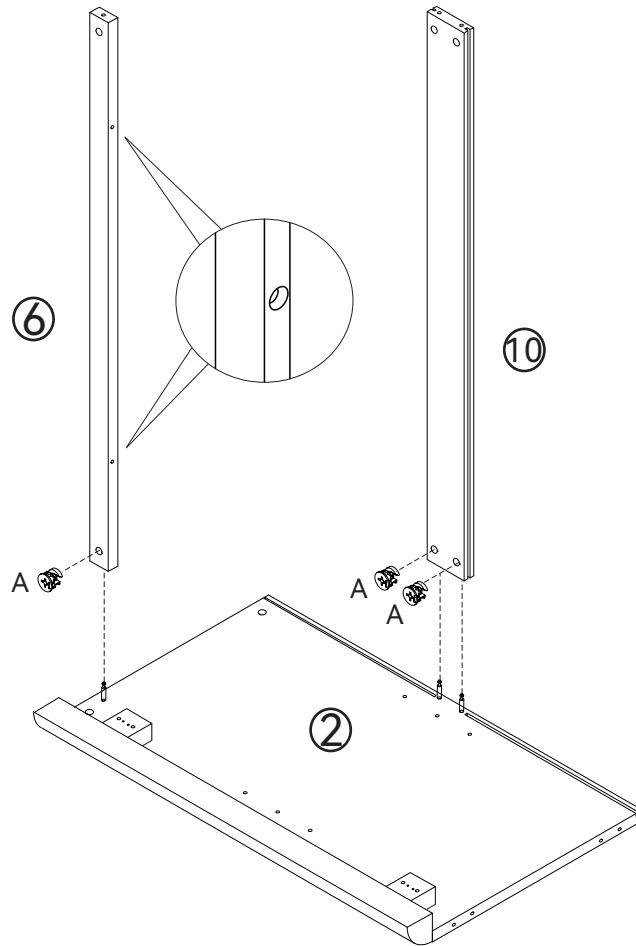
	Bx3
	Dx4



Step 5



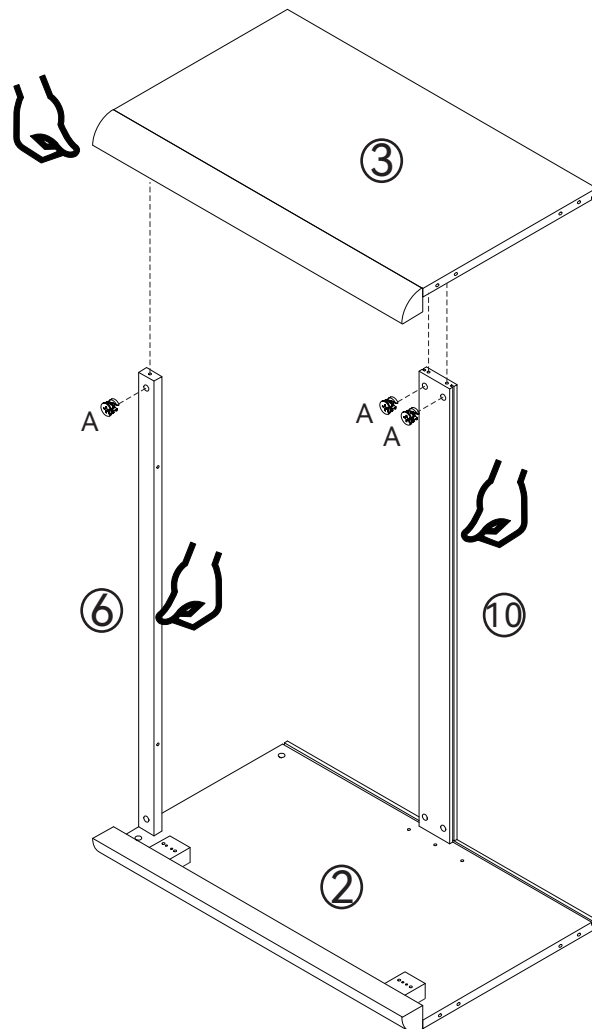
Ax3



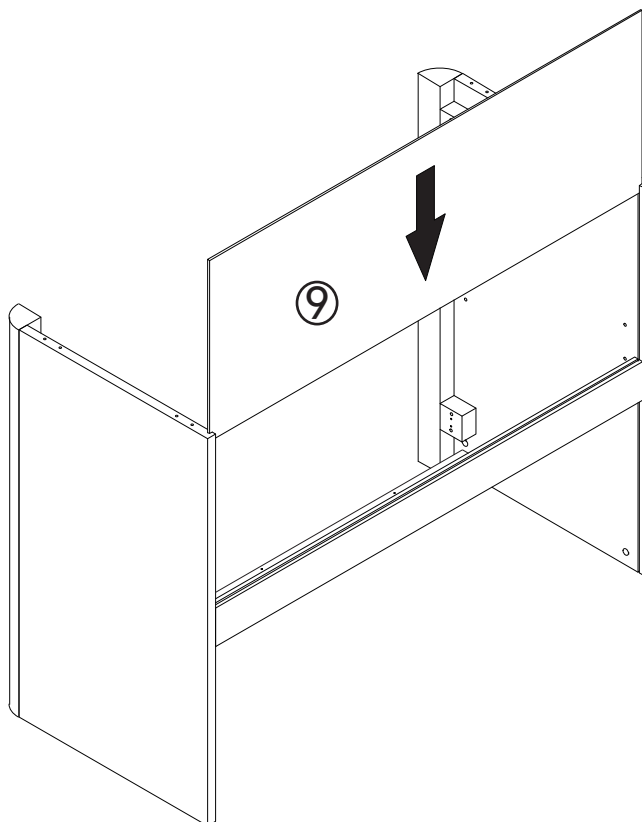
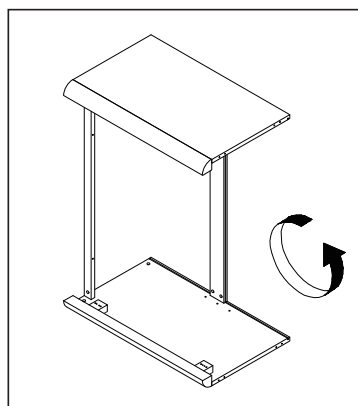
Step 6



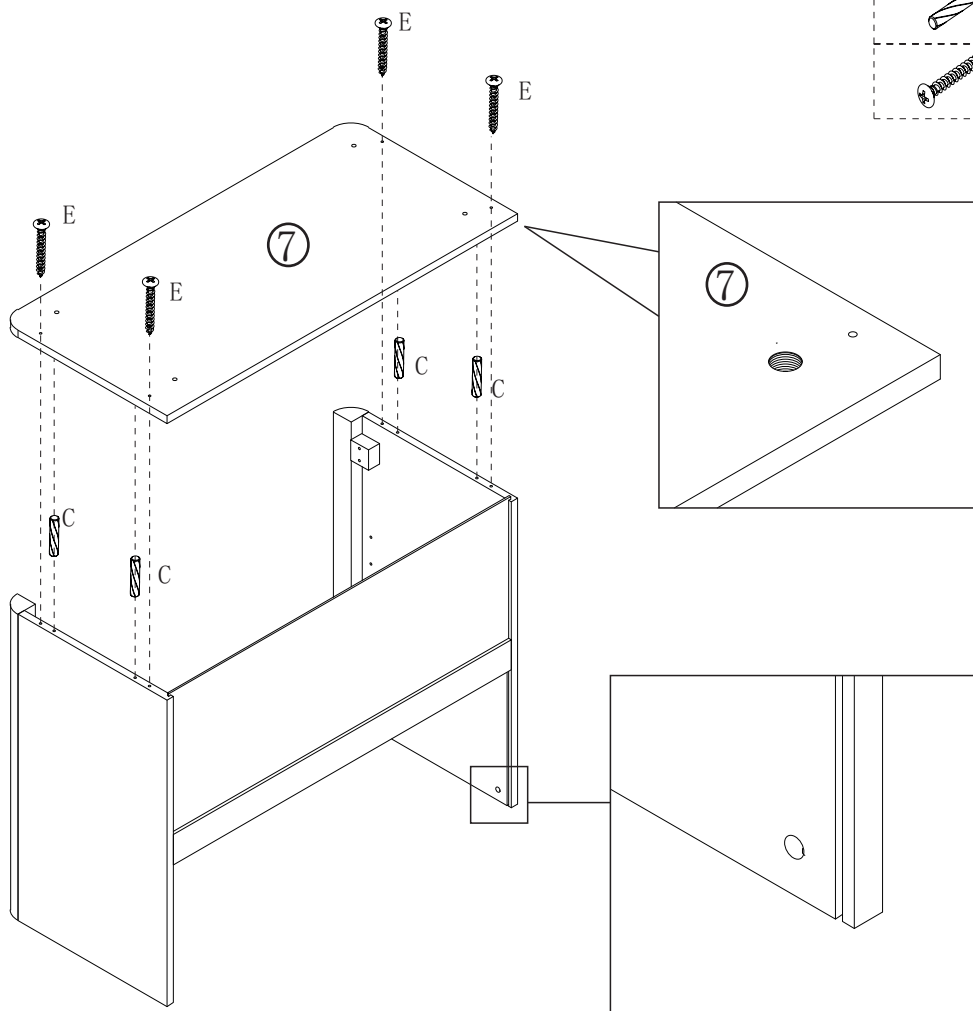
Ax3



Step 7

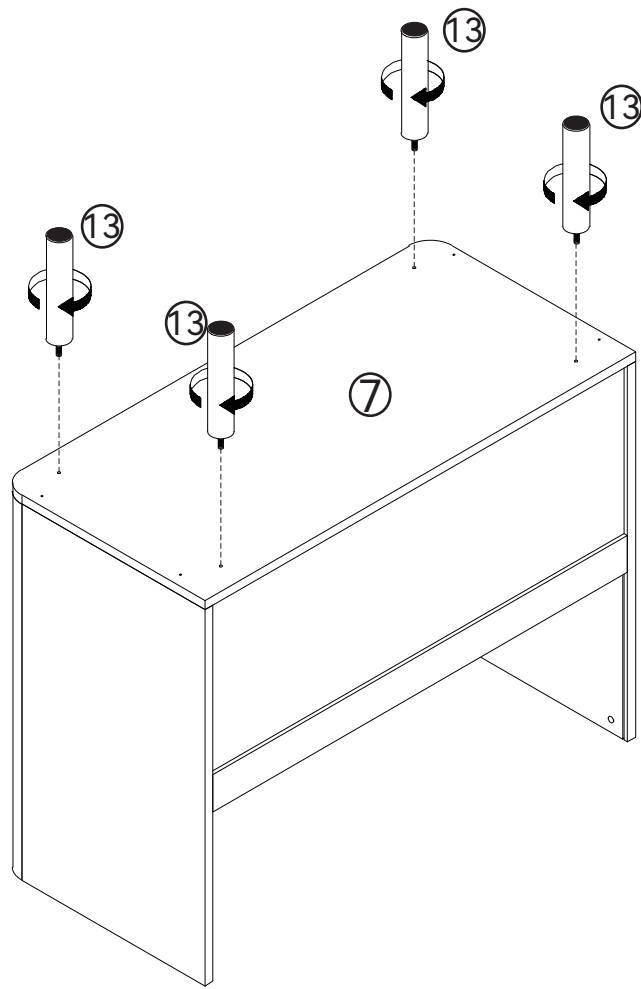


Step 8

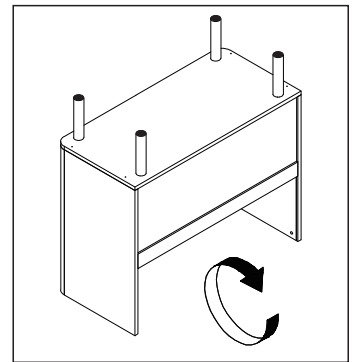
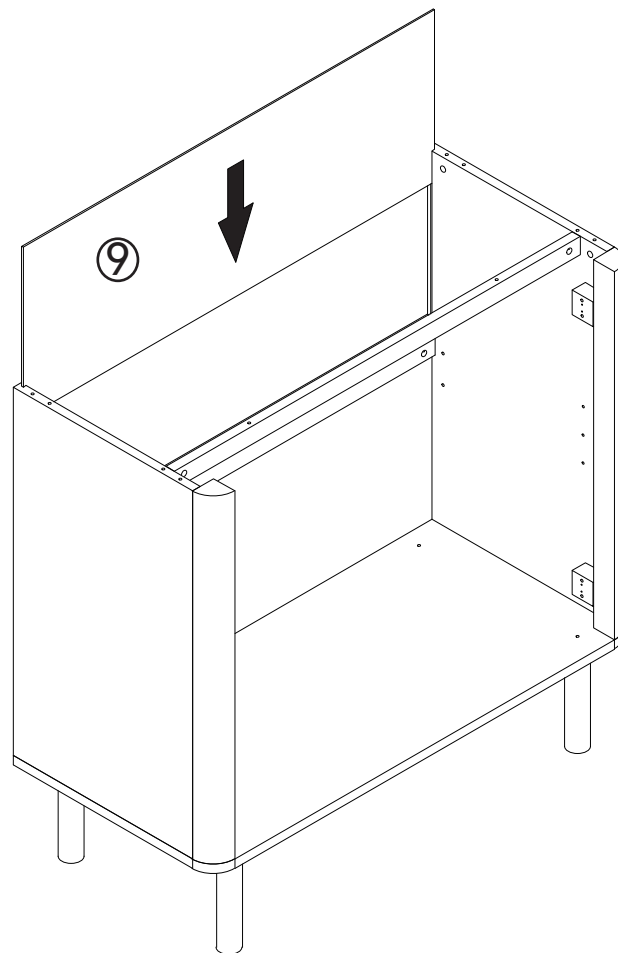


	Cx4
	Ex4

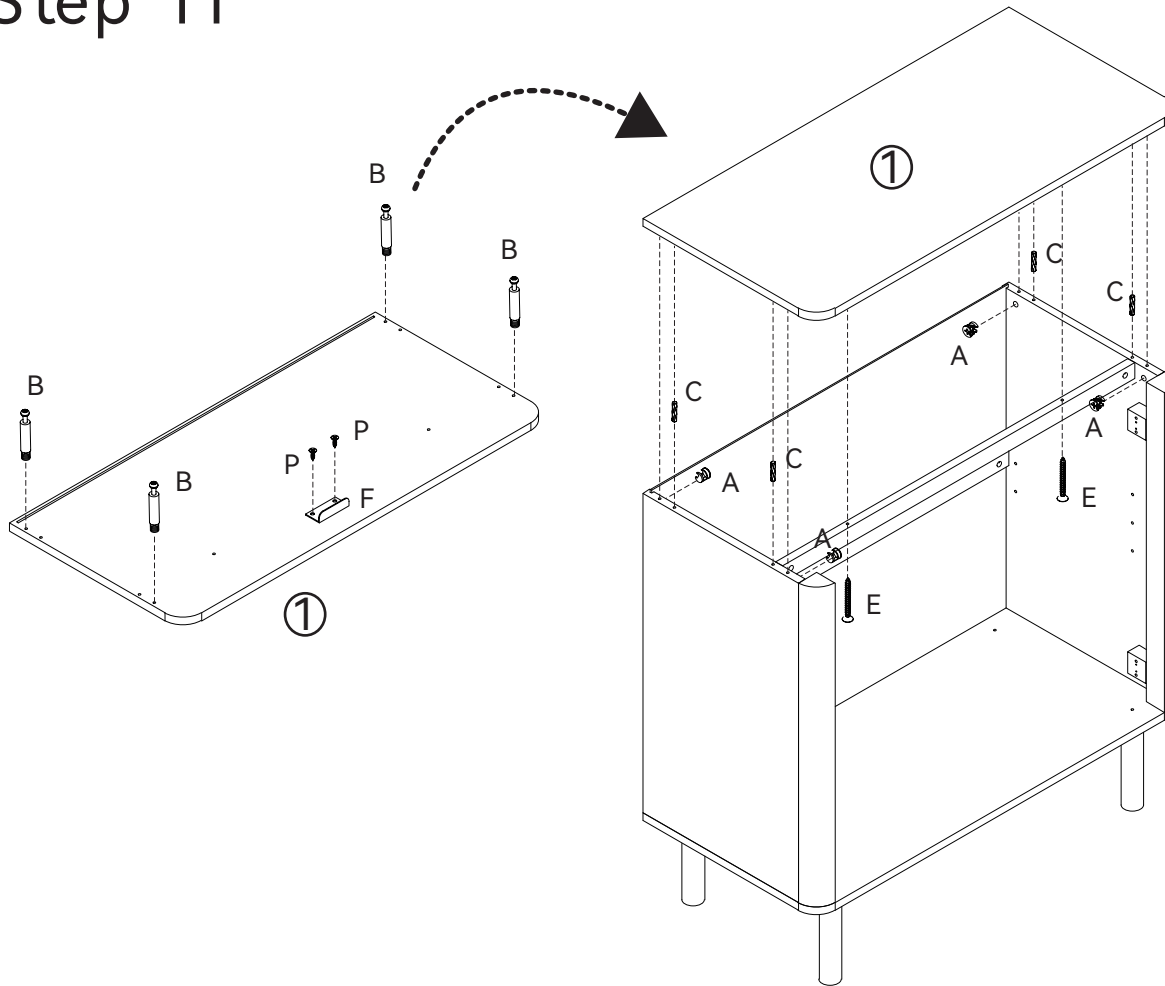
Step 9



Step 10

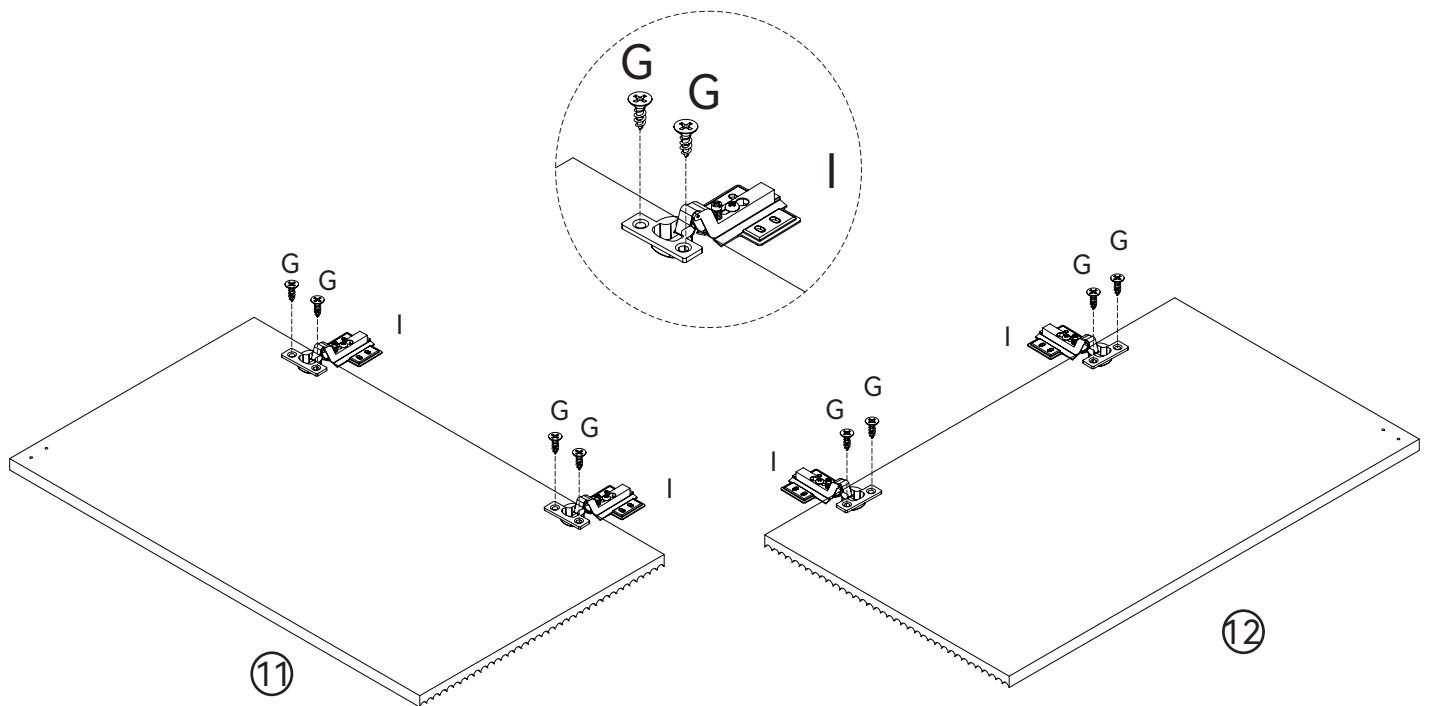


Step 11






	Ax4
	Bx4
	Cx4
	Ex2
	Fx1
	Px2

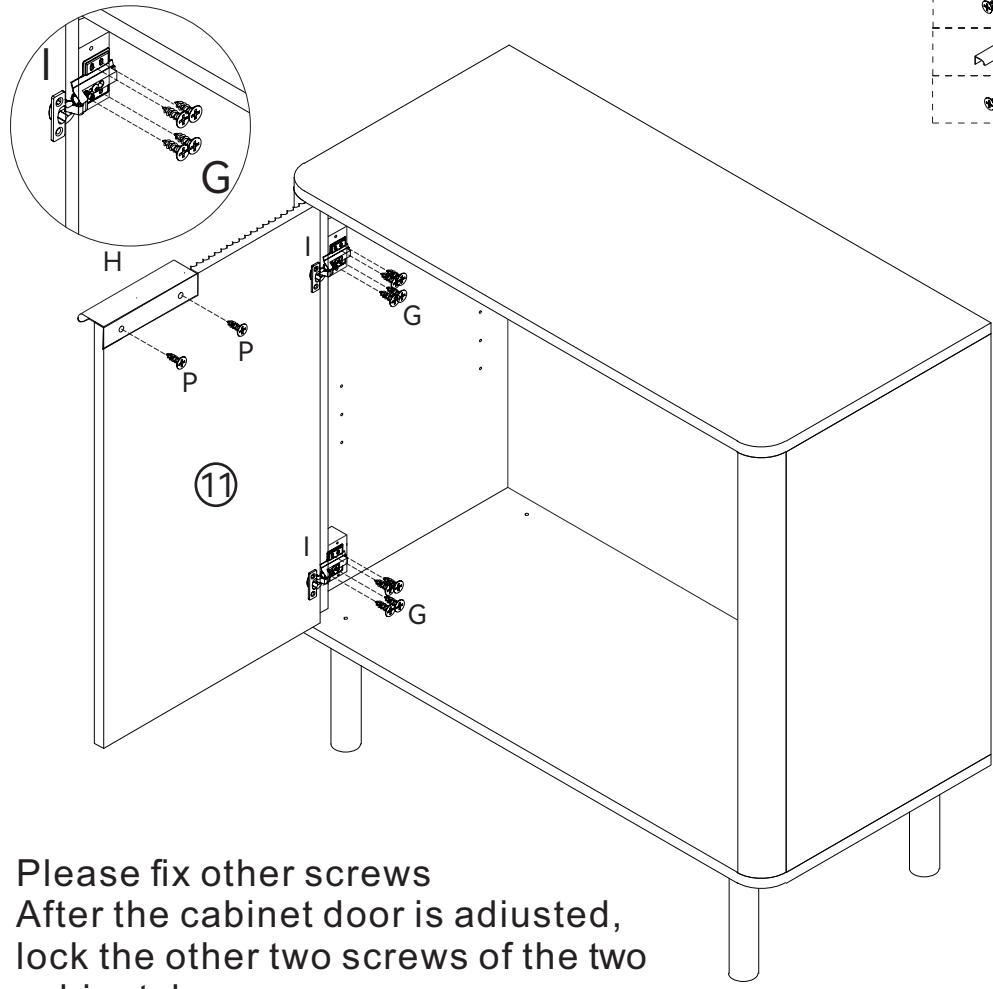
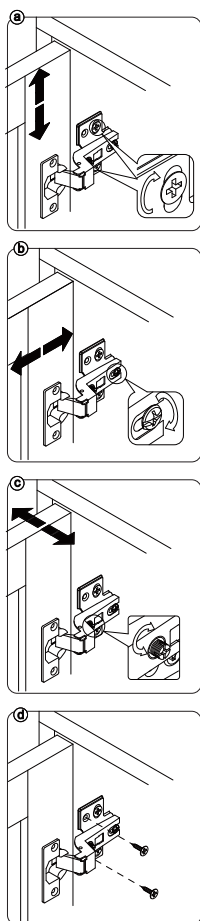
Step 12



	Gx8
	Ix4


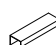

Step 13

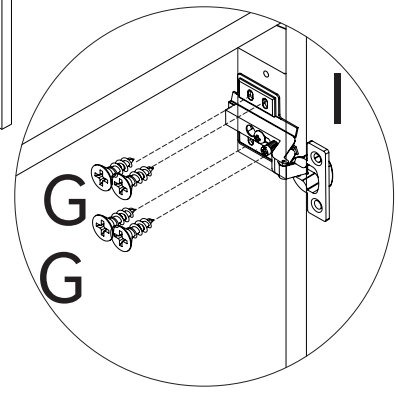
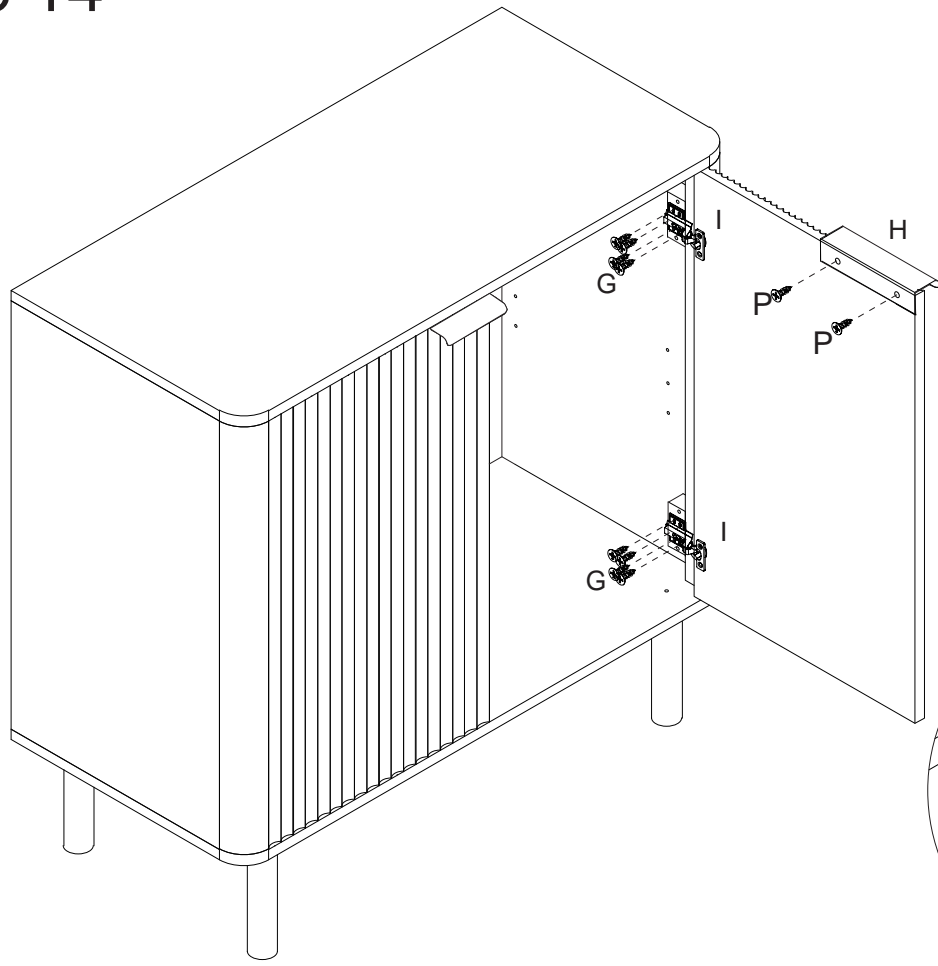
	Gx8
	Hx1
	Px2



Please fix other screws
After the cabinet door is adjusted,
lock the other two screws of the two
cabinet doors.

Step 14

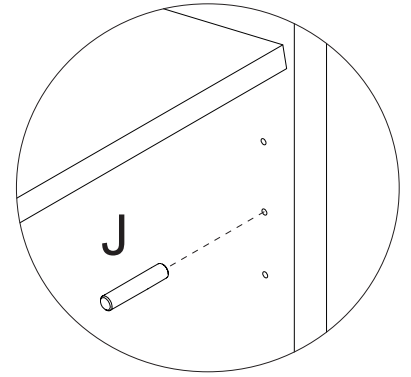
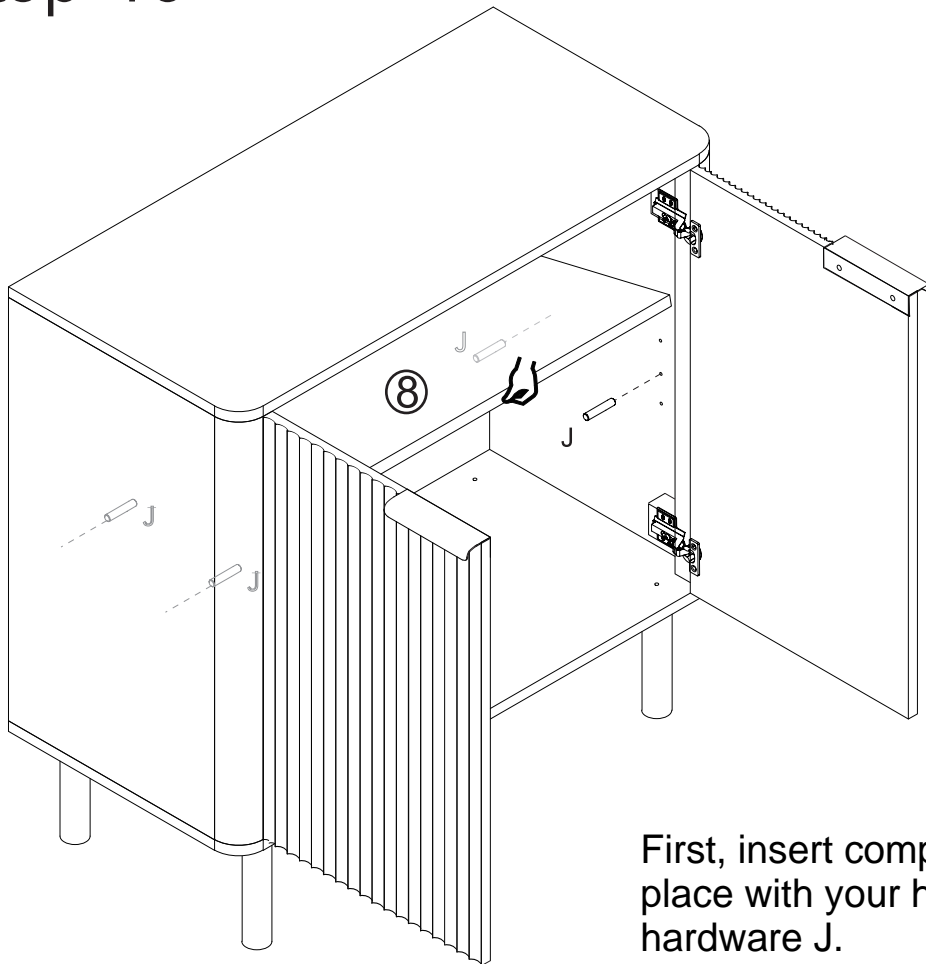
	Gx8
	Hx1
	Px2



Step 15



Jx4



First, insert component 8 and hold it in place with your hand, then secure it with hardware J.

Step 16



Kx8



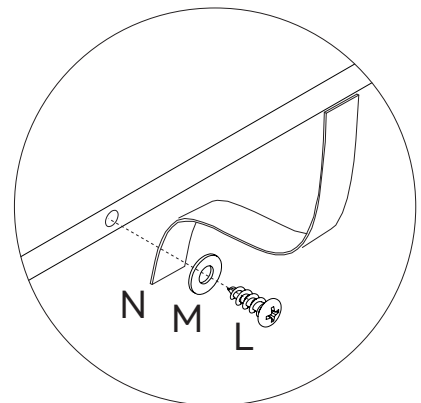
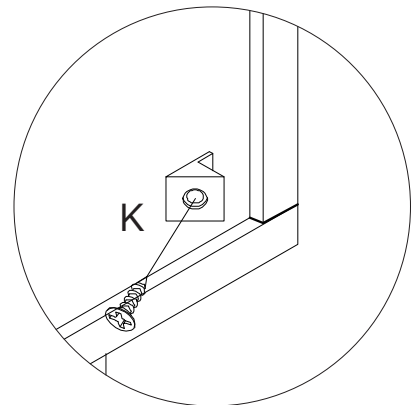
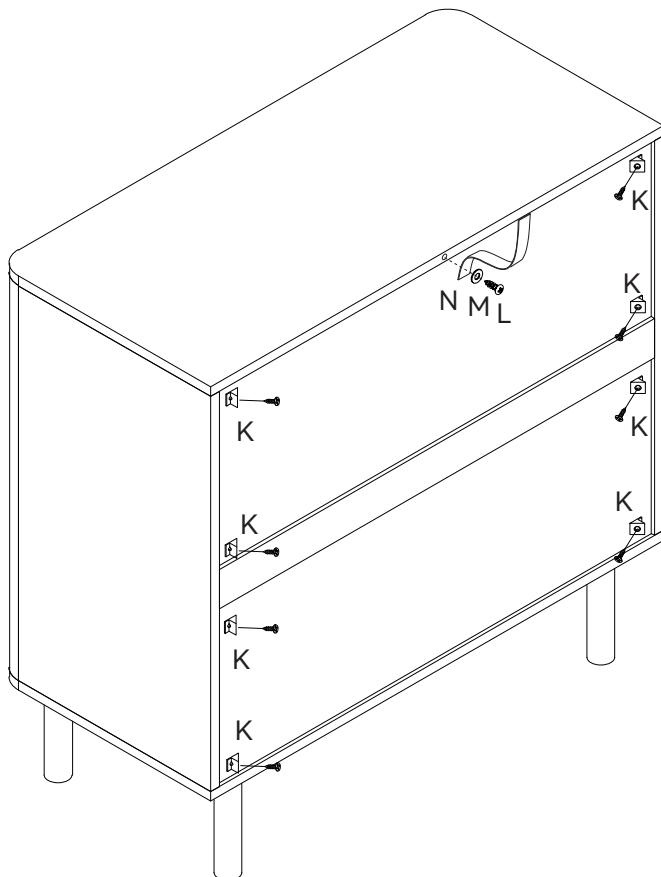
Lx1






Mx1

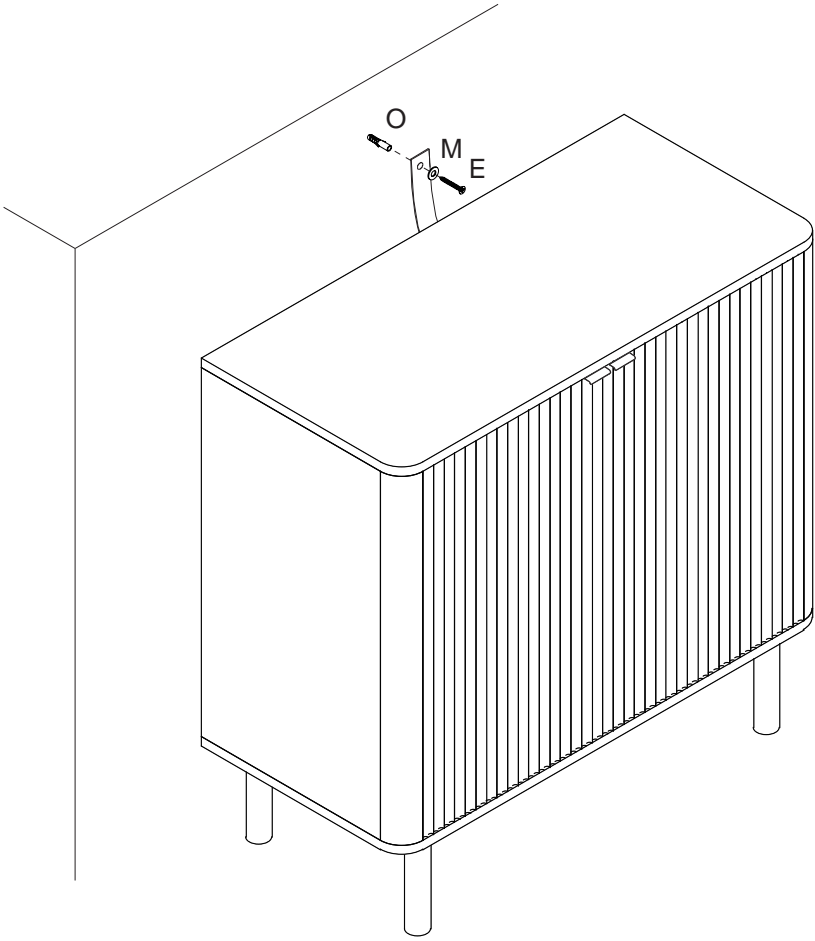
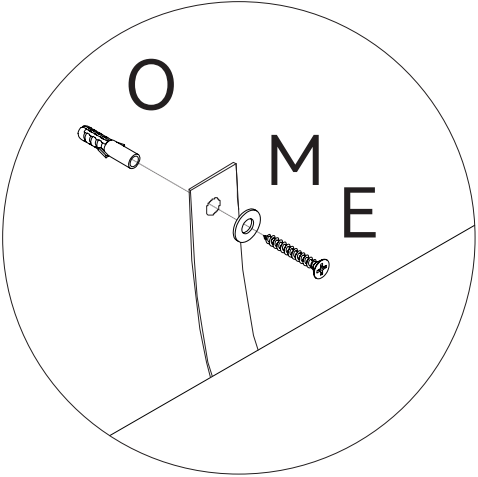


Nx1



Step 17

	Ex1
	Mx1
	Ox1



AFTER-SALES SERVICE CARD

We sincerely thank you for trusting our service and our products, and may this product add enrichment to your home. We guarantee that the product has undergone strict quality inspection and meticulous packaging. If you encounter any issue regarding either shipping or the product, please feel free to contact us at any time. We'd be more than happy to serve you wholeheartedly.

Yours Sincerely

- **Please avoid harsh, corrosive and abrasive cleaners
keep dry and avoid damp environments.**

If you have any questions or concerns please feel free to contact us. We're committed to providing our customers with the quality service.