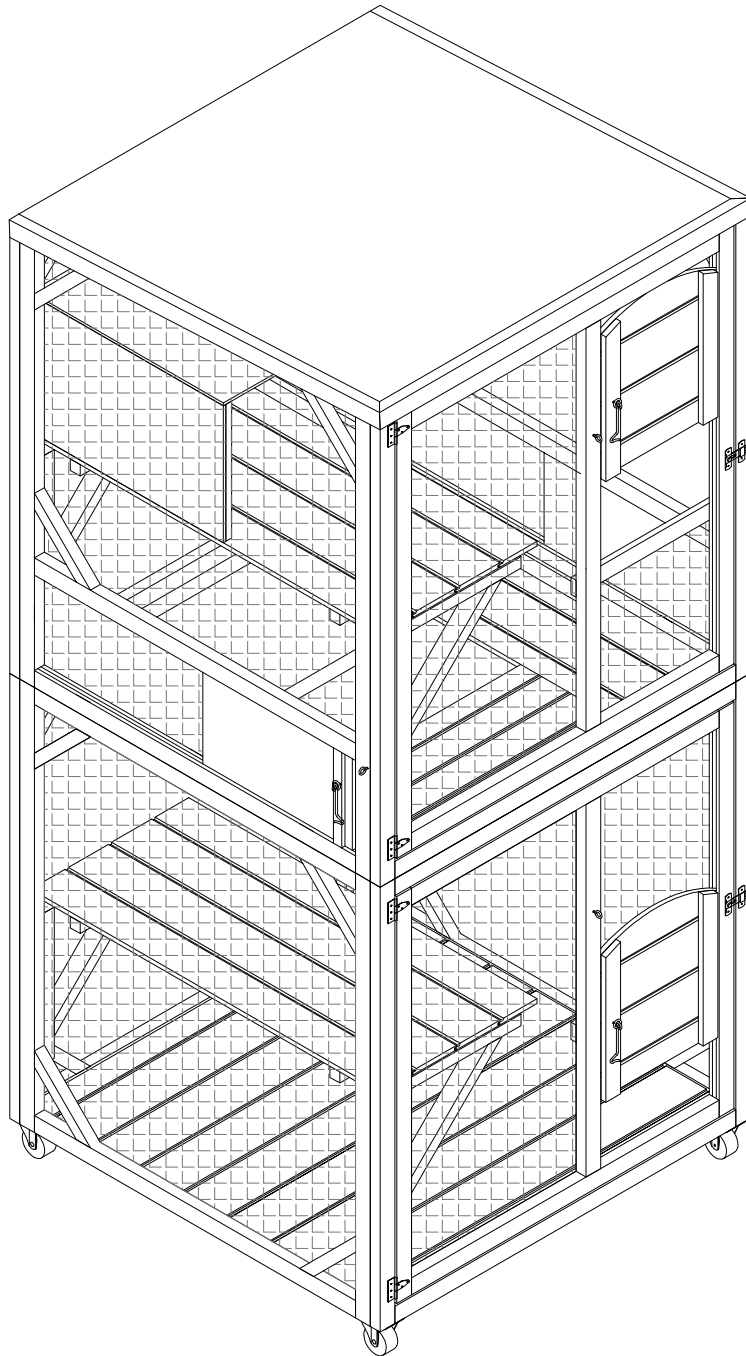
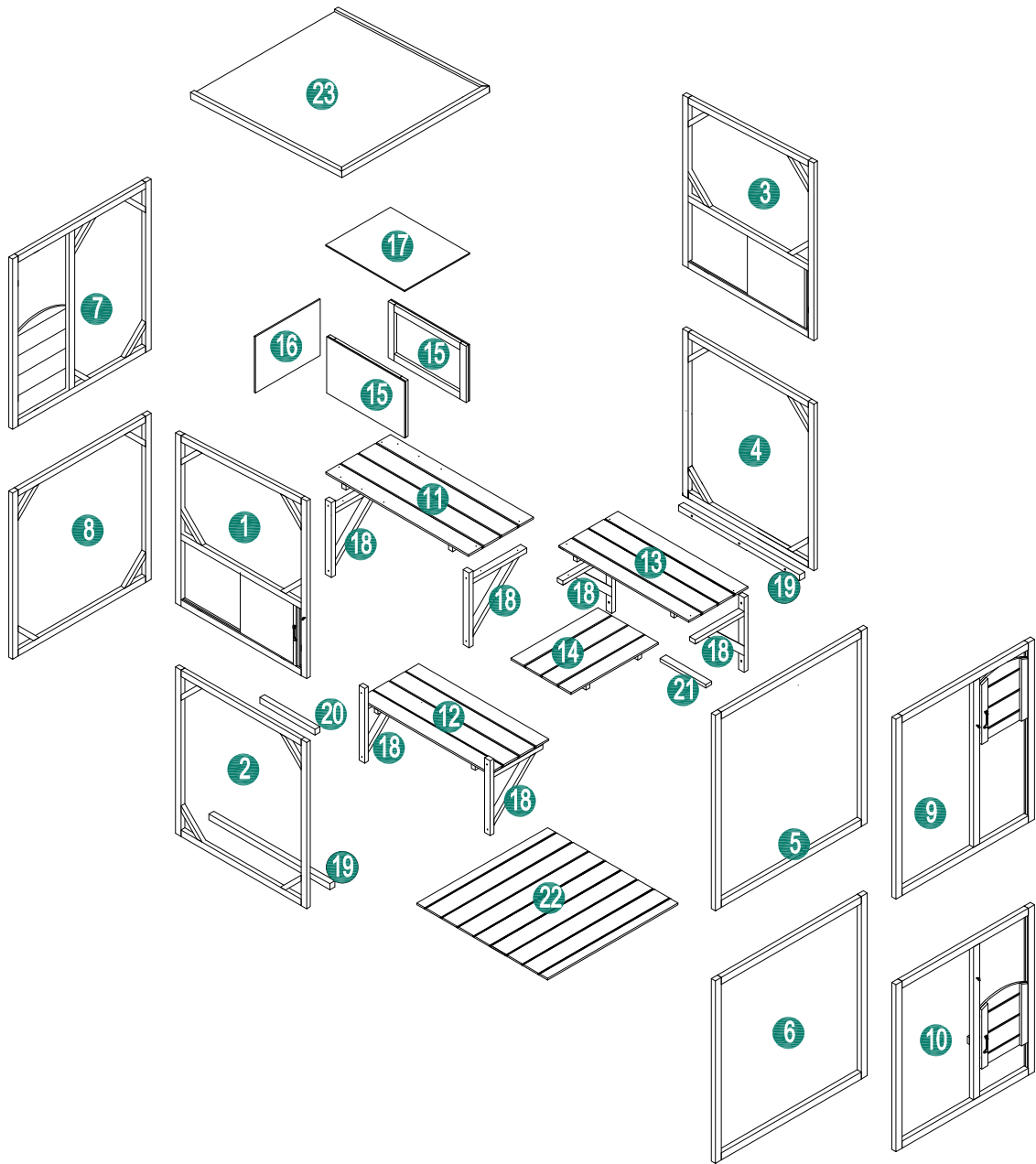
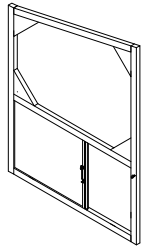


Cat House

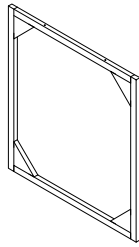
ASSEMBLY INSTRUCTIONS



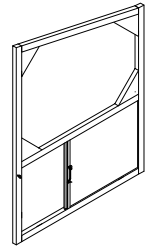




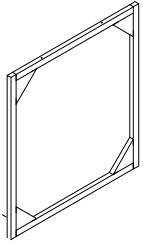
1 × 1



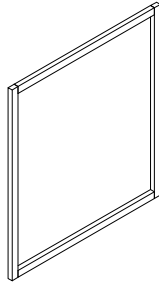
2 × 1



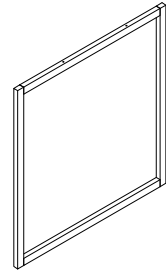
3 × 1



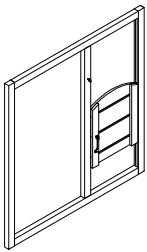
4 × 1



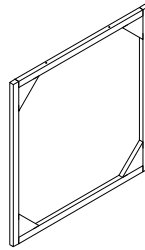
5 × 1



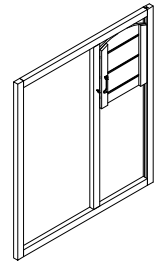
6 × 1



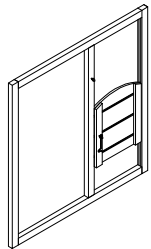
7 × 1



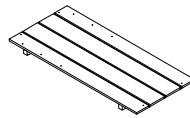
8 × 1



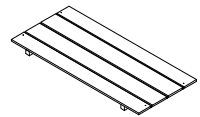
9 × 1



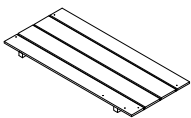
10 × 1



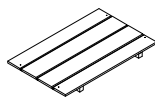
11 × 1



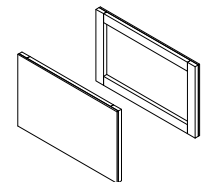
12 × 1



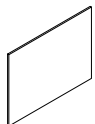
13 × 1



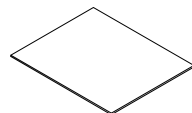
14 × 1



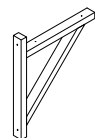
15 × 2



16 × 1

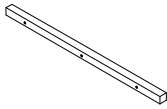


17 × 1



18 × 6

19 × 1



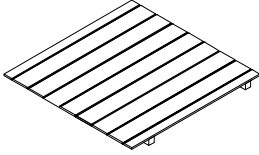
20 × 1



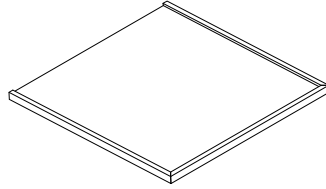
21 × 1

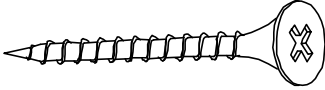
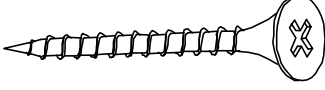
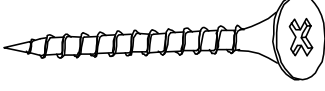
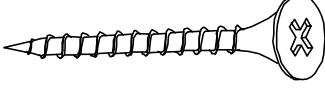
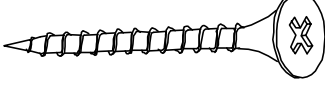
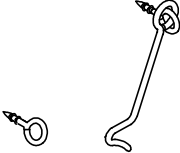
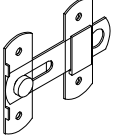
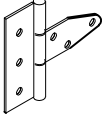



22 × 1

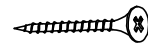
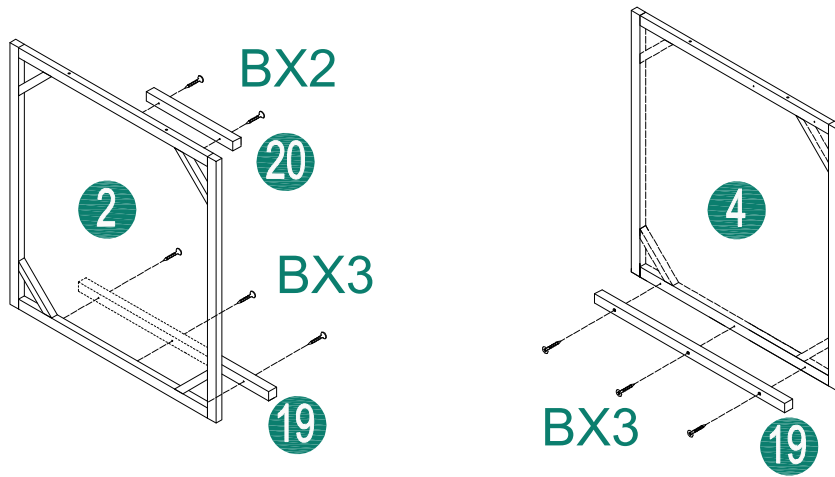


23 × 1



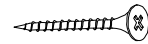
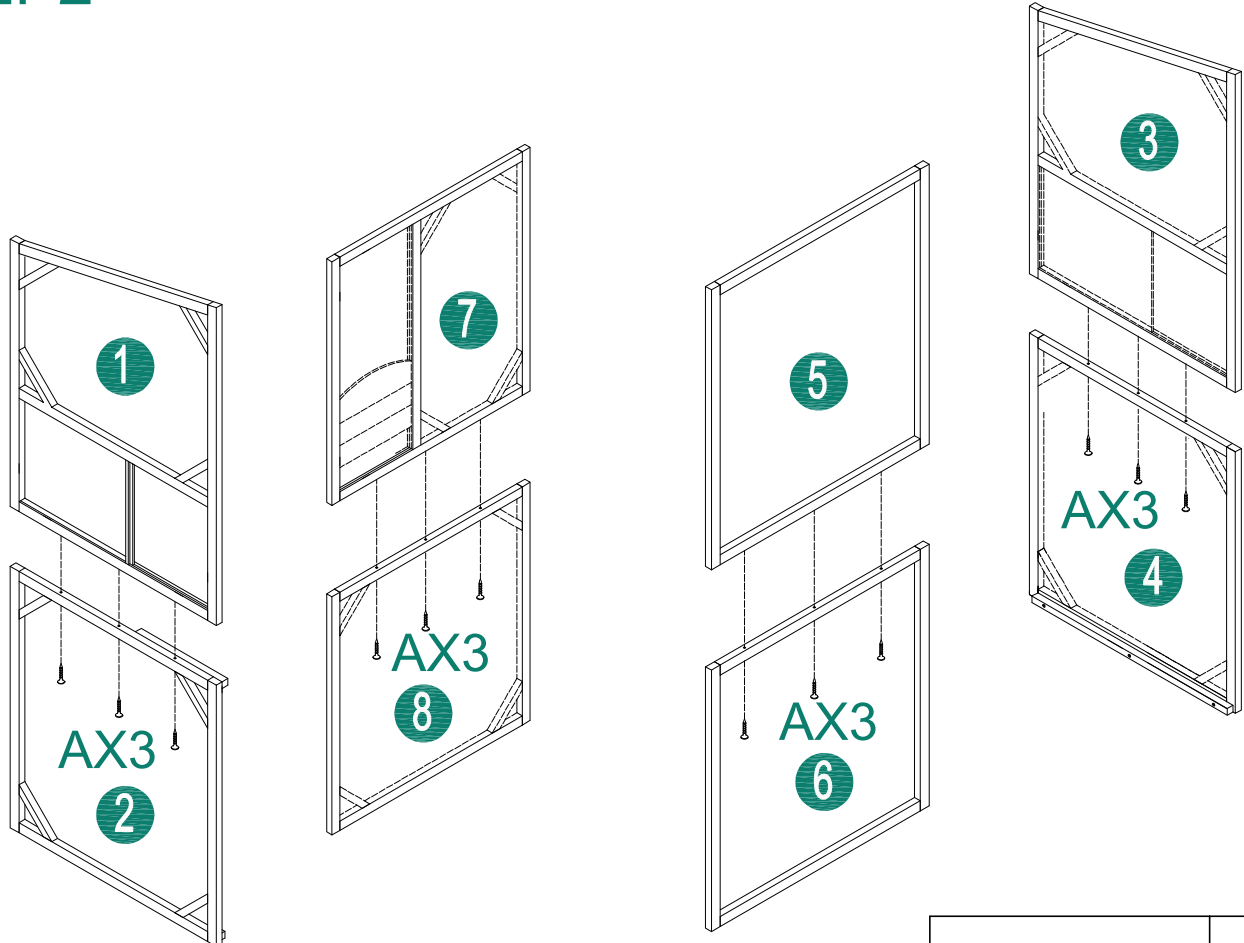
A		M3.5x45mm	12
B		M3.5x35mm	57
C		M3.5x20mm	16
D		M3.5x16mm	62
E		M3.5x12mm	8
F			5
G			2
H			4
I			4

STEP1



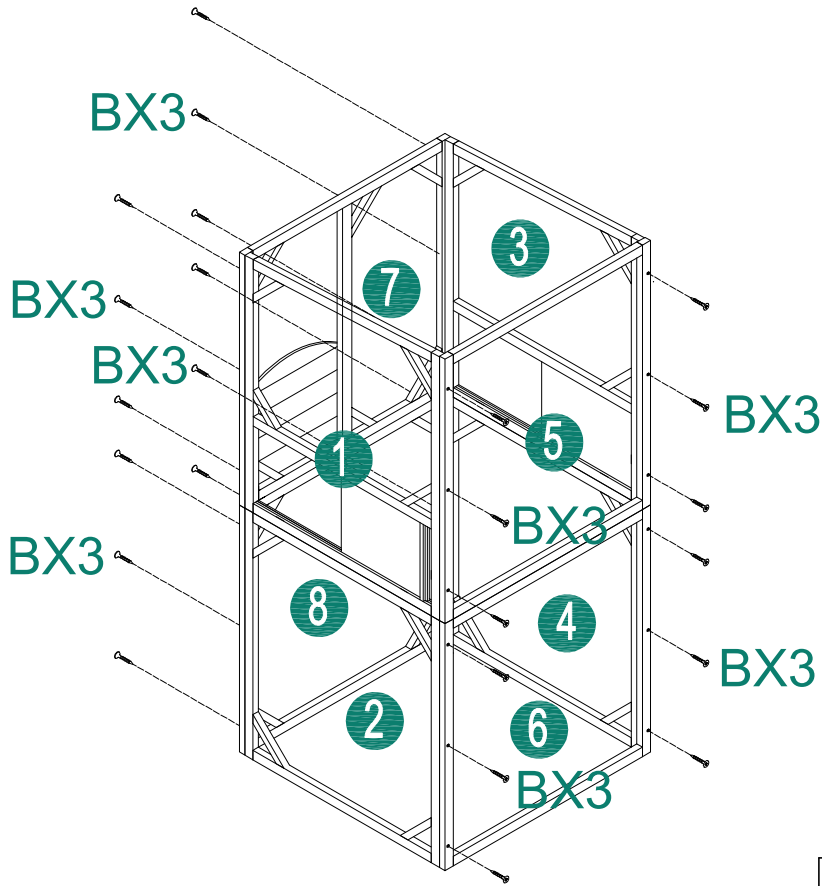
Bx8

STEP2



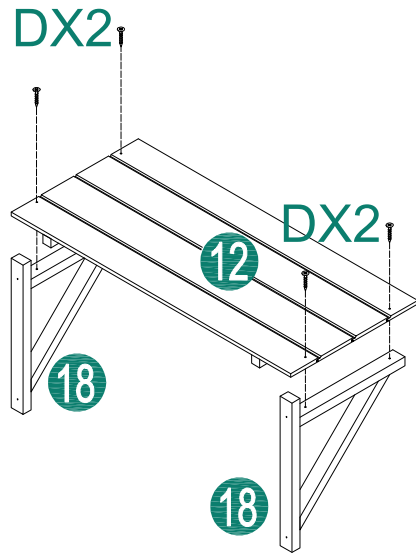
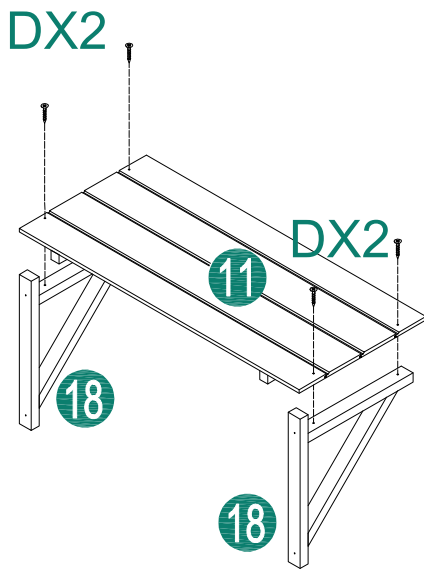
Ax12

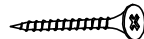
STEP3



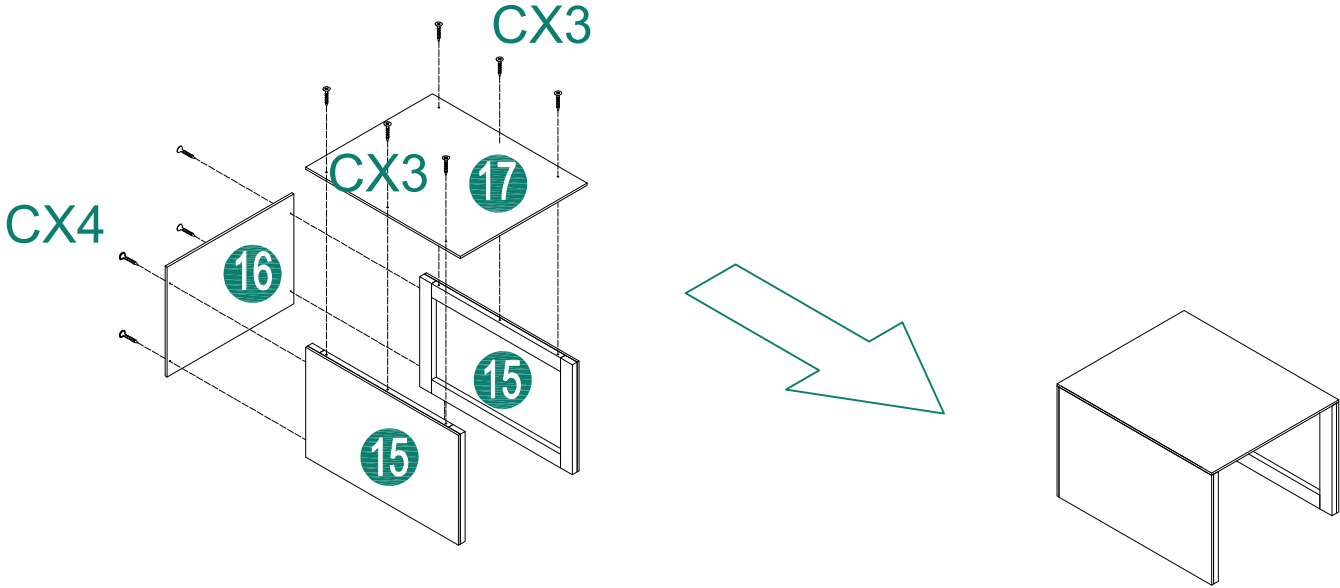
	Bx24
--	-------------

STEP4



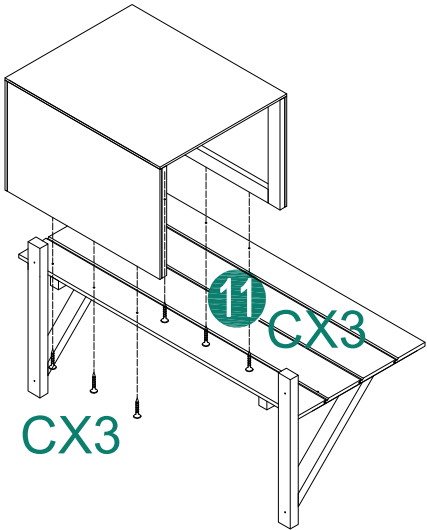
	Dx8
---	------------

STEP5



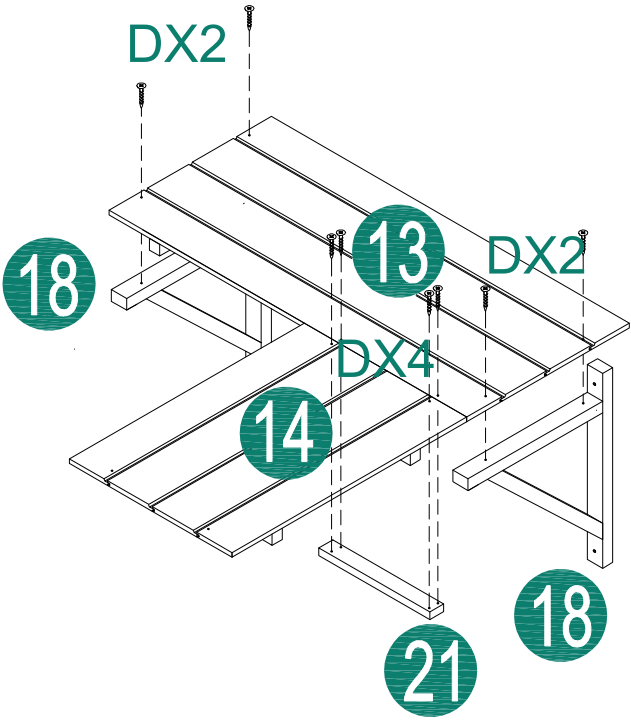
	Cx10
--	------

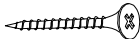
STEP6



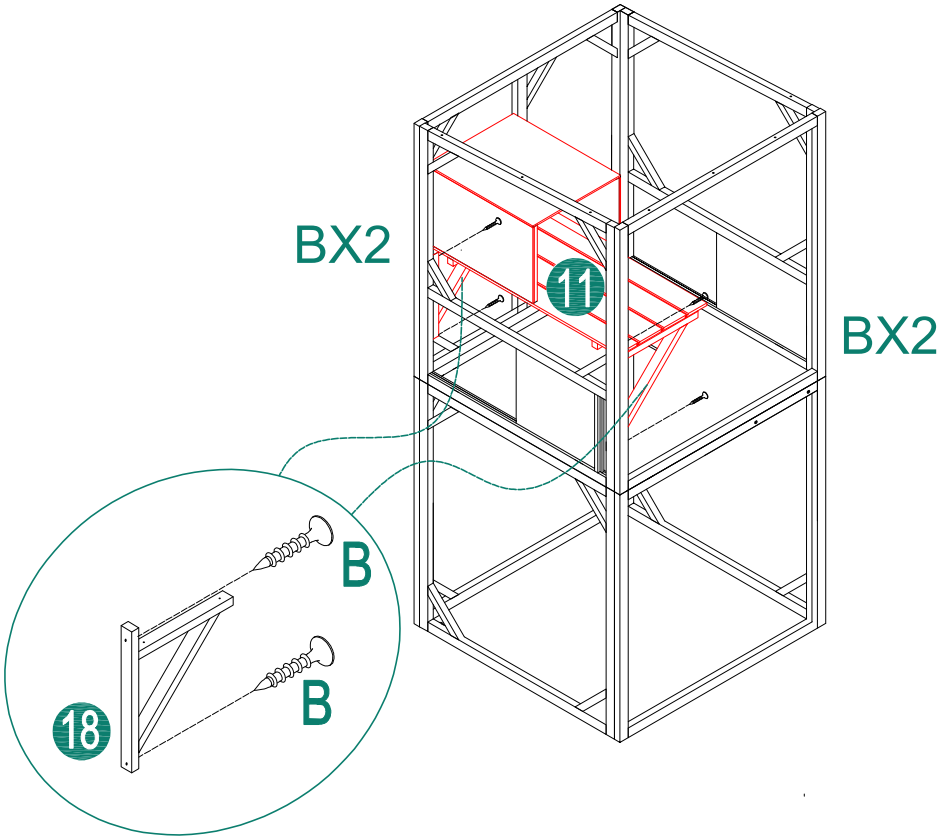
	Cx6
---	-----

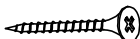
STEP7



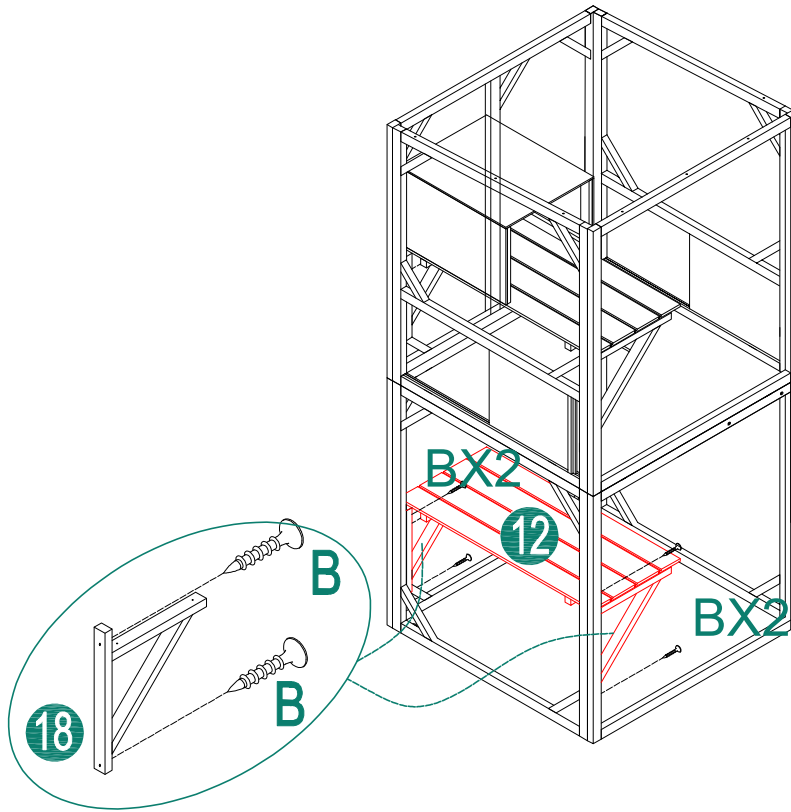
	Dx8
--	------------

STEP8



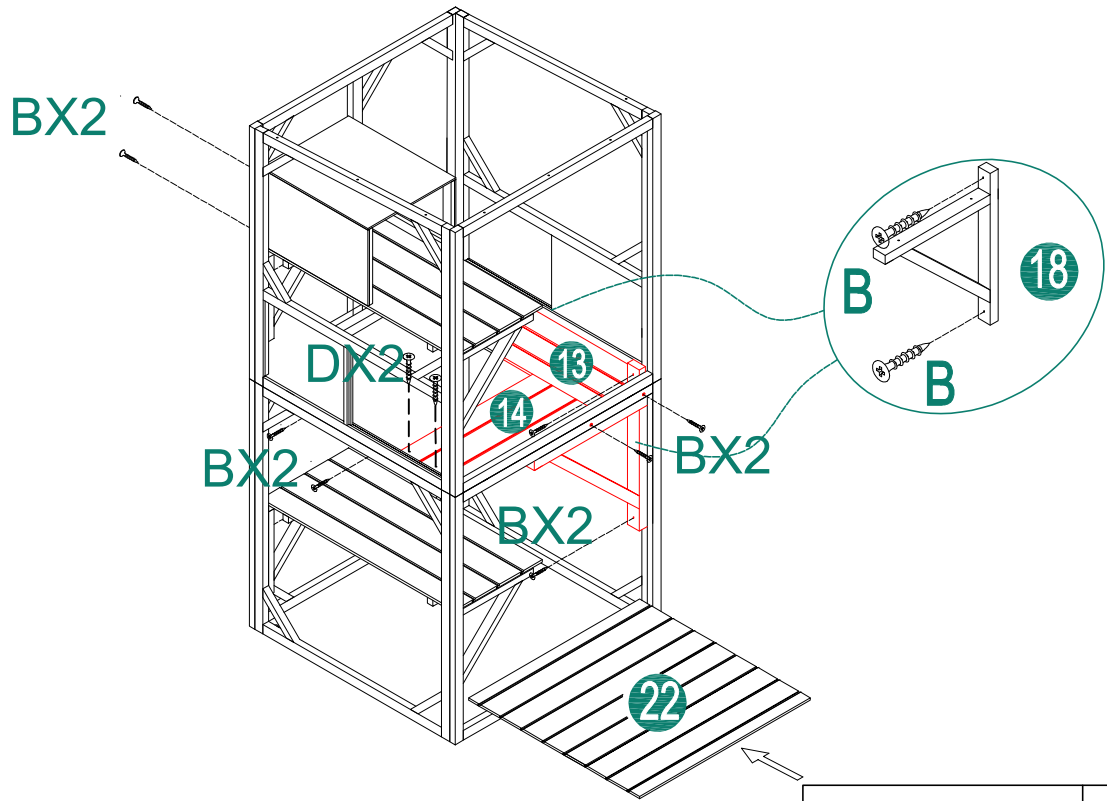
	Bx4
---	------------

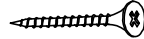
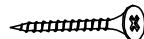
STEP9



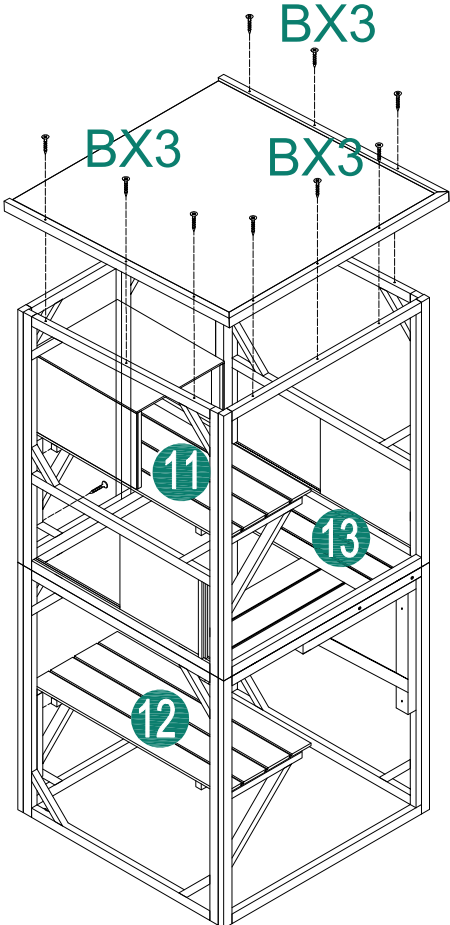
	Bx4
--	------------

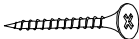
STEP10



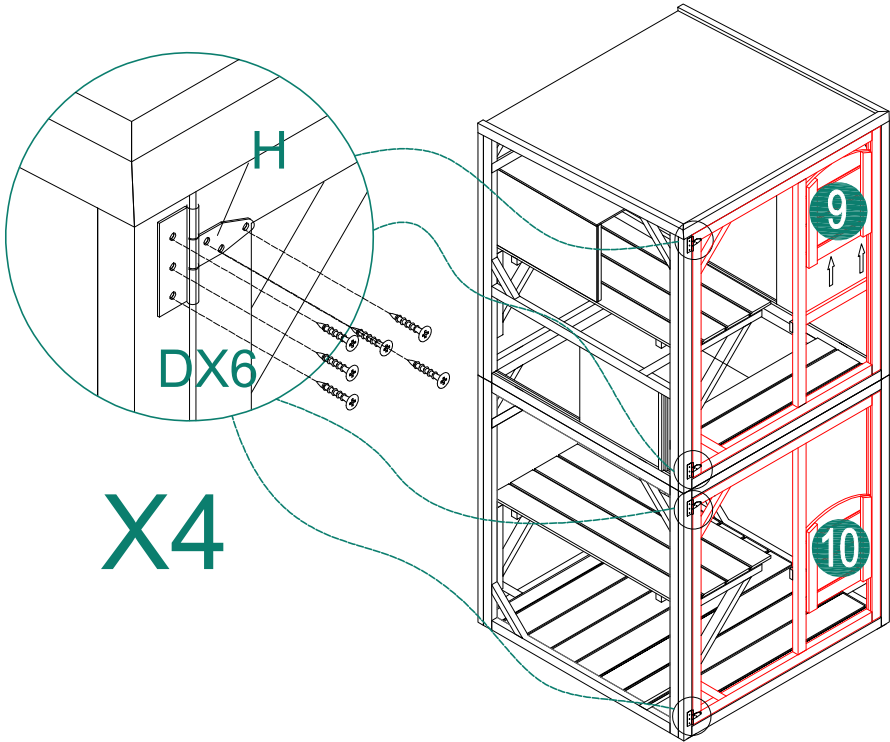
	Bx8
	Dx2

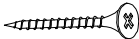
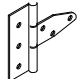
STEP 11



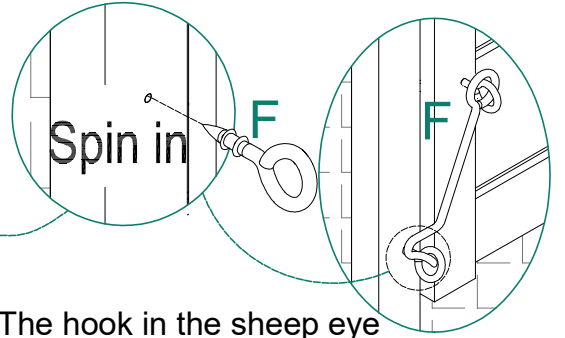
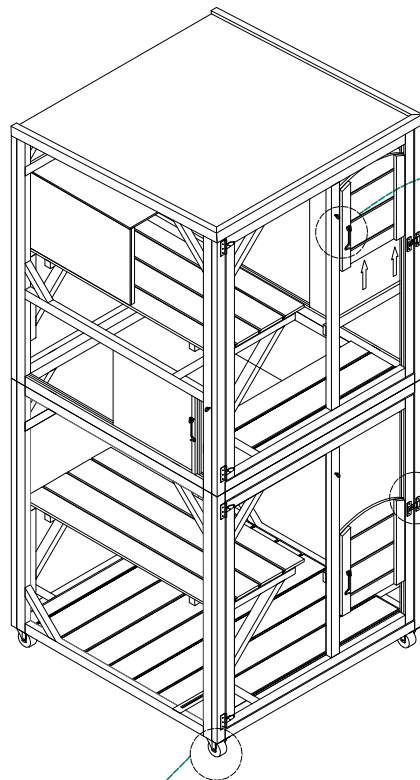
	Bx9
--	------------

STEP 12

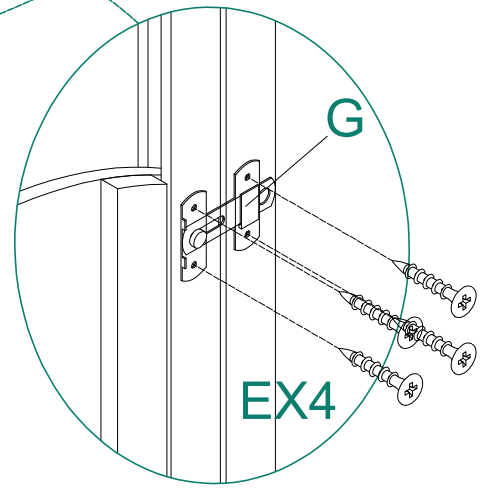


	Dx24
	Hx4

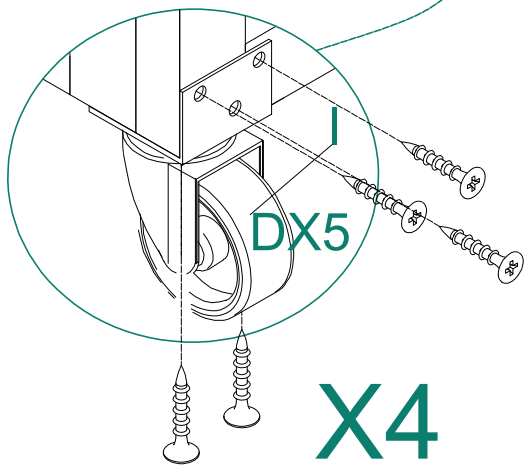
STEP13



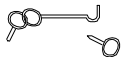
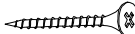
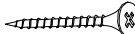
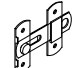

The hook in the sheep eye hook while the door pushes up



X2



X4

	Fx5 (SET)		Dx20		Ex8
			Gx2		Ix4