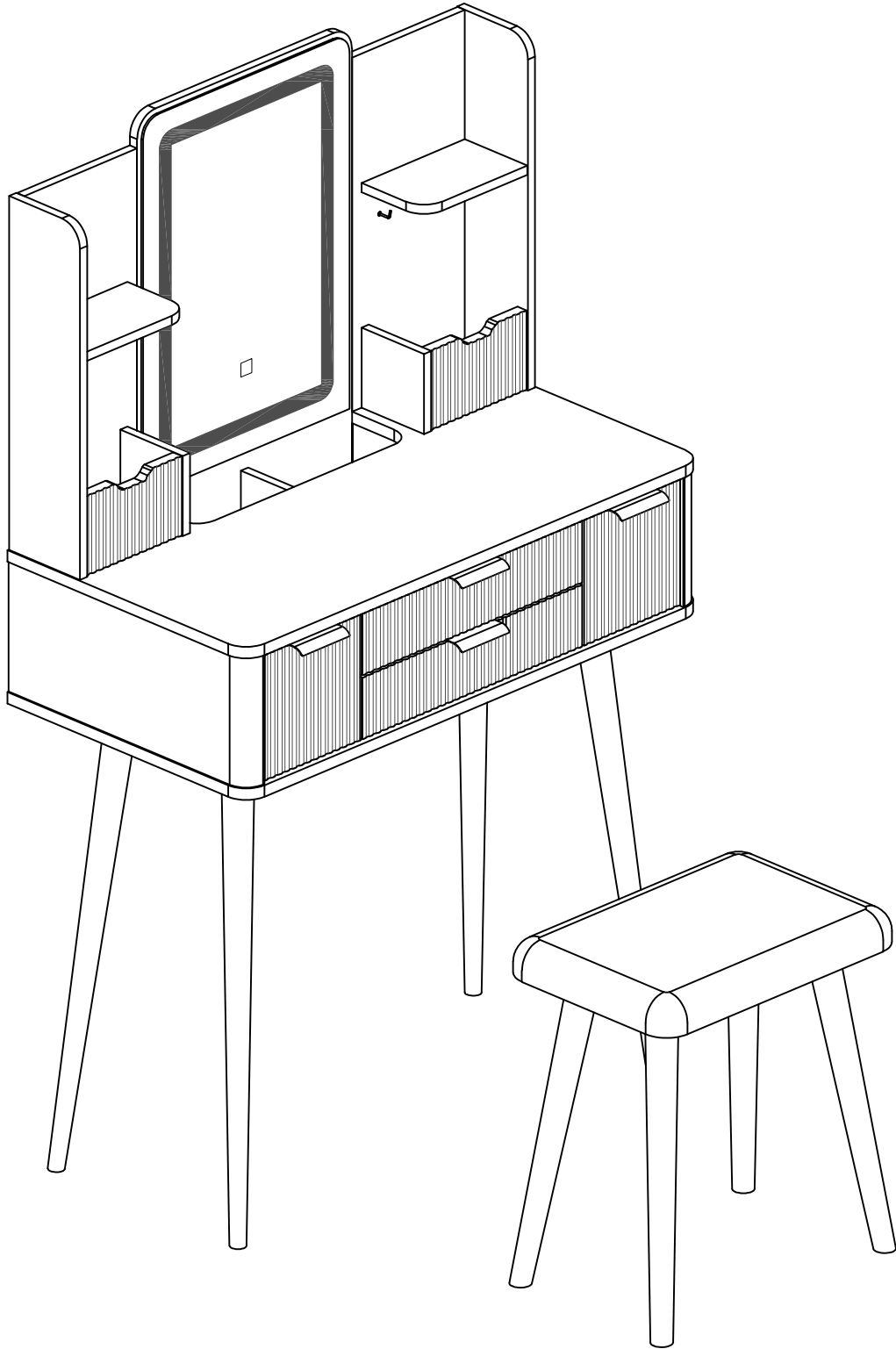
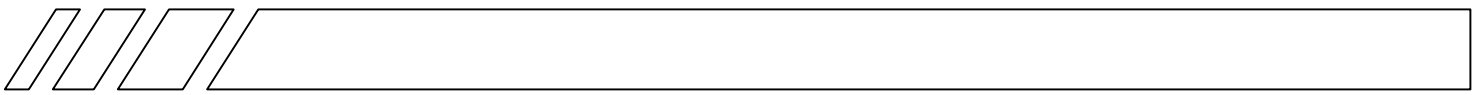
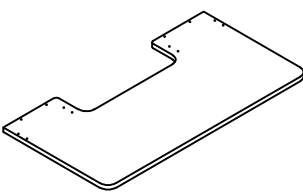
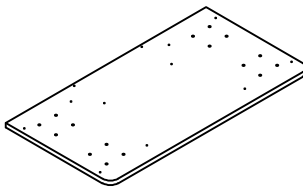
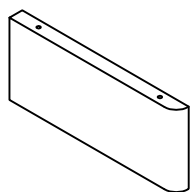
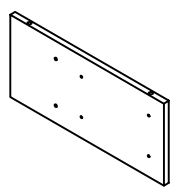
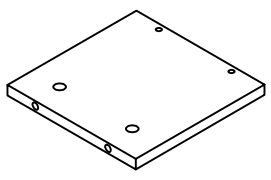
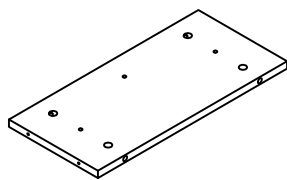
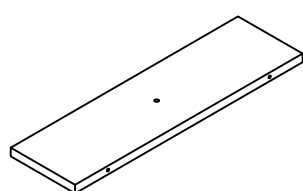
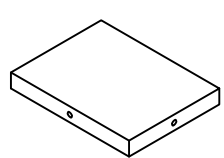
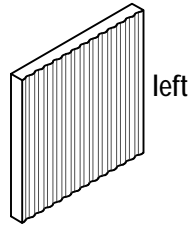
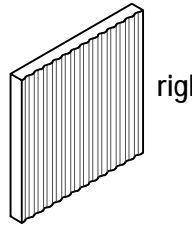
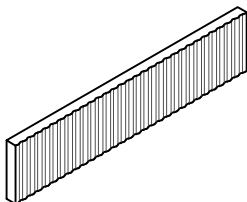
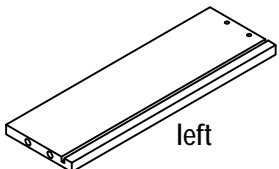
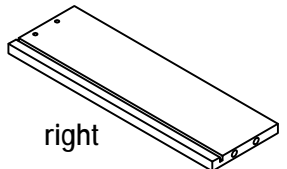
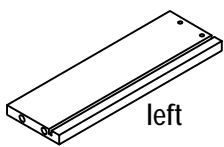
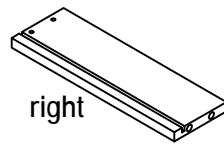
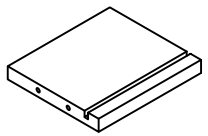
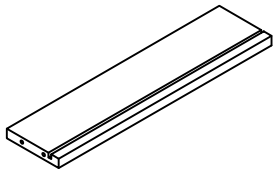
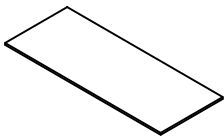
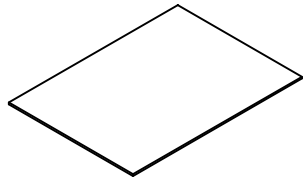
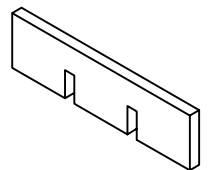
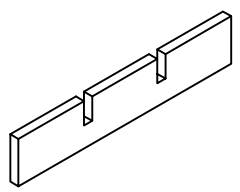
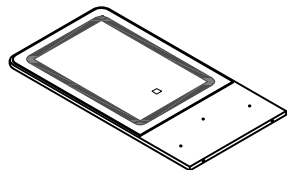
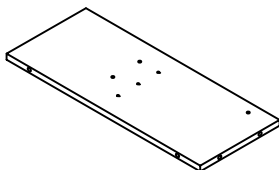
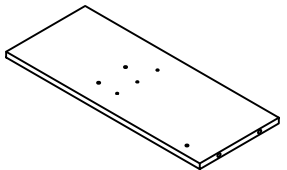


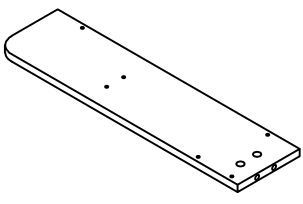
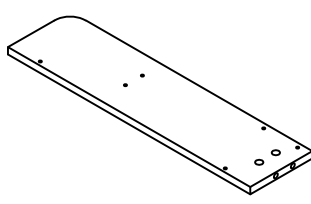
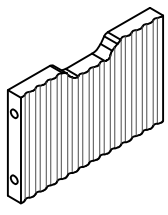
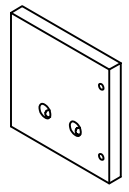
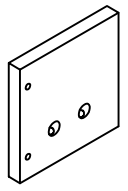
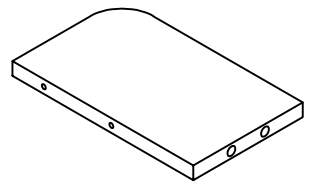
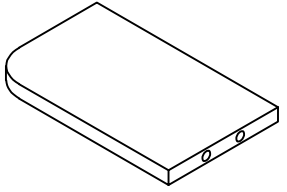
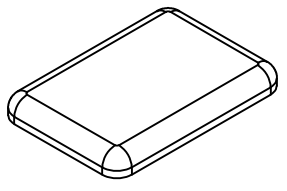



Installation & Assembly

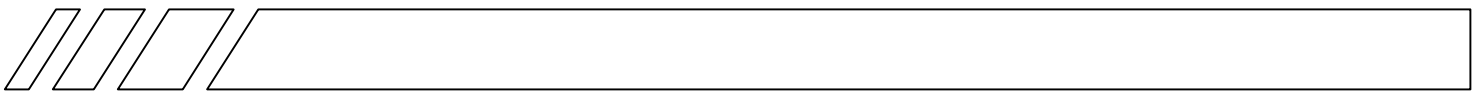




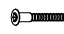




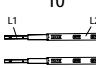



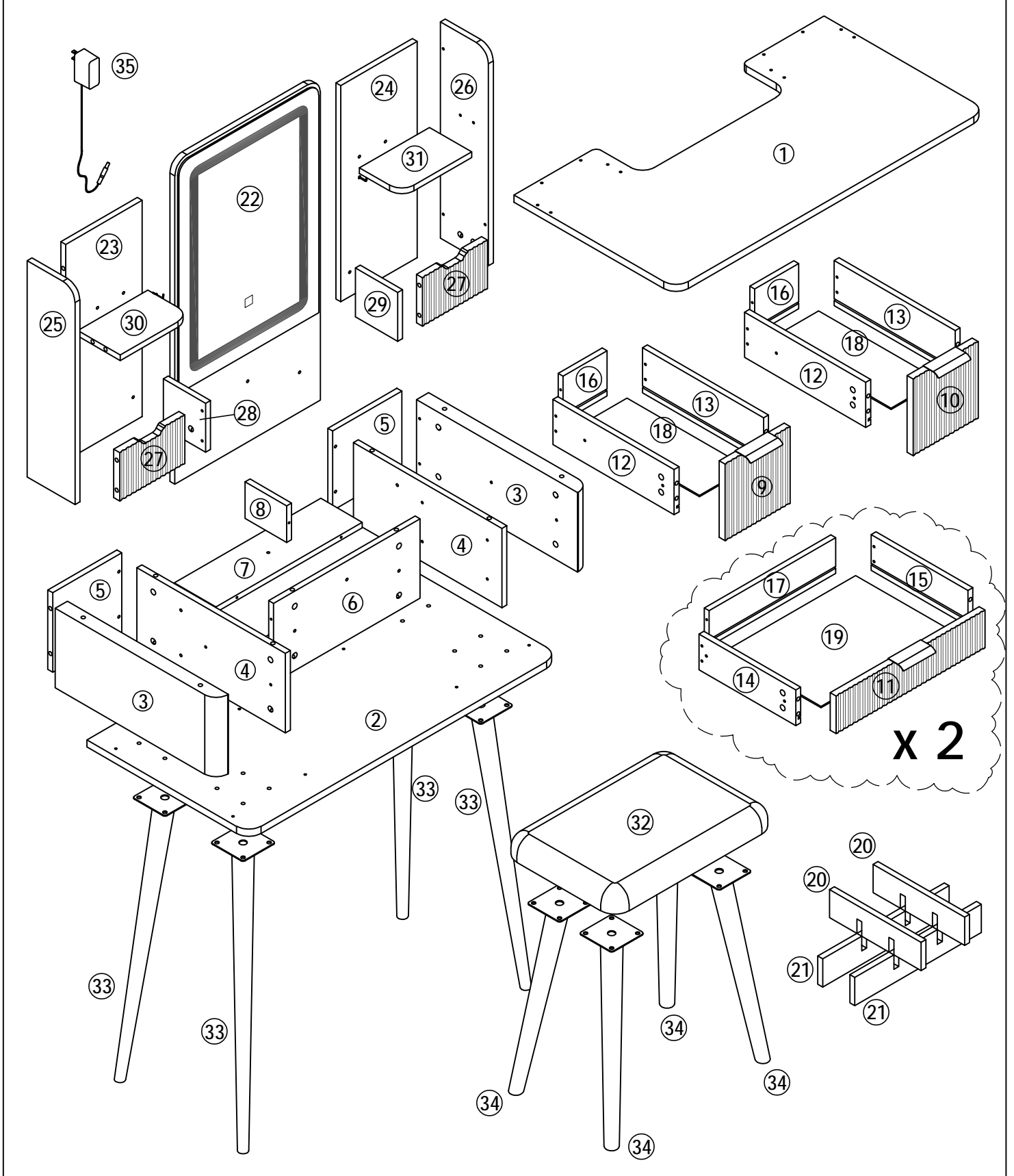
| | | | |
|--|---|---|--|
| <p>①</p>  <p>X 1</p> | <p>②</p>  <p>X 1</p> | <p>③</p>  <p>X 2</p> | <p>④</p>  <p>X 2</p> |
| <p>⑤</p>  <p>X 2</p> | <p>⑥</p>  <p>X 1</p> | <p>⑦</p>  <p>X 1</p> | <p>⑧</p>  <p>X 1</p> |
| <p>⑨</p>  <p>left</p> <p>X 1</p> | <p>⑩</p>  <p>right</p> <p>X 1</p> | <p>⑪</p>  <p>X 2</p> | <p>⑫</p>  <p>left</p> <p>X 2</p> |
| <p>⑬</p>  <p>right</p> <p>X 2</p> | <p>⑭</p>  <p>left</p> <p>X 2</p> | <p>⑮</p>  <p>right</p> <p>X 2</p> | <p>⑯</p>  <p>X 2</p> |
| <p>⑰</p>  <p>X 2</p> | <p>⑱</p>  <p>X 2</p> | <p>⑲</p>  <p>X 2</p> | <p>⑳</p>  <p>X 2</p> |
| <p>㉑</p>  <p>X 2</p> | <p>㉒</p>  <p>X 1</p> | <p>㉓</p>  <p>X 1</p> | <p>㉔</p>  <p>X 1</p> |



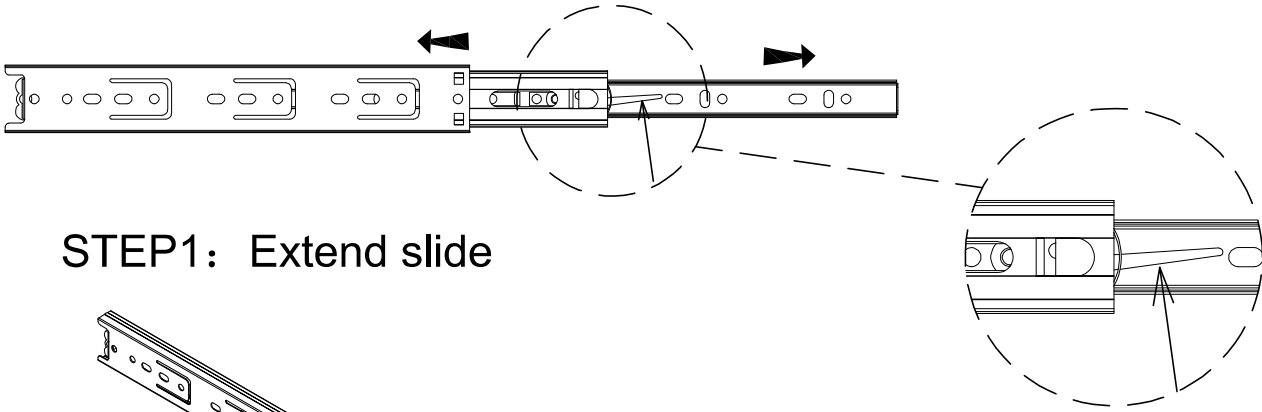
| | | | |
|---|---|--|--|
| <p>25</p>  <p>X 1</p> | <p>26</p>  <p>X 1</p> | <p>27</p>  <p>X 2</p> | <p>28</p>  <p>X 1</p> |
| <p>29</p>  <p>X 1</p> | <p>30</p>  <p>X 1</p> | <p>31</p>  <p>X 1</p> | <p>32</p>  <p>X 1</p> |
| <p>33</p>  <p>X 4</p> | <p>34</p>  <p>X 4</p> | <p>35</p>  <p>X 1</p> | |
| | | | |
| | | | |
| | | | |



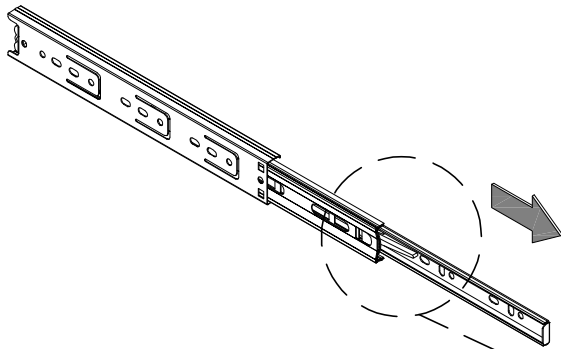
| | | | | | | |
|---|--|--|--|---|--|---|
| A φ12*10  X 70 | B φ7*40  X 70 | C M5*40  X 37 | D M6*15  X 32 | F 64mm  X 4 | G M3.5*12  X 56 | K 3/4  X 6 |
| L 10"  X 4 | M  X 4 | | | | | |



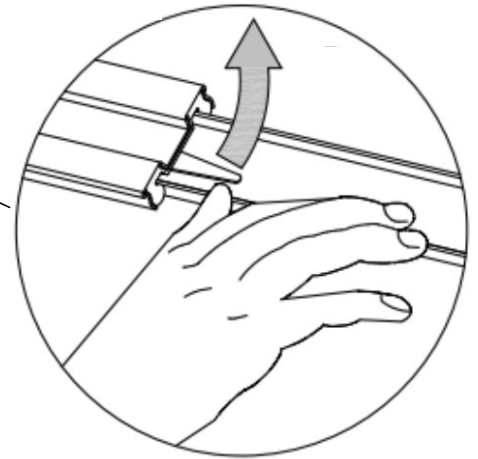
Slides Must Be Separated Before Assembly,
After Separated, Set Aside Until Needed for Assembly.



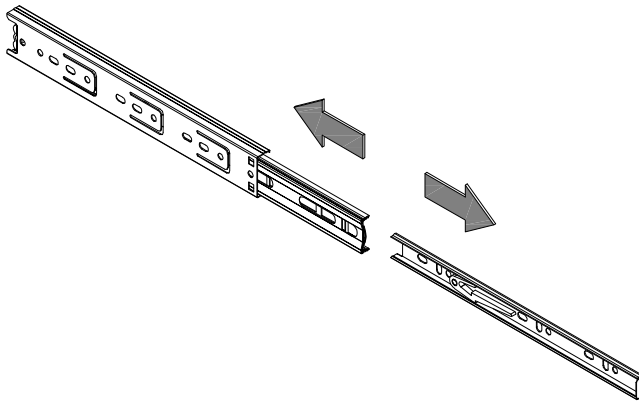
STEP1: Extend slide



STEP2: Push Lever UP

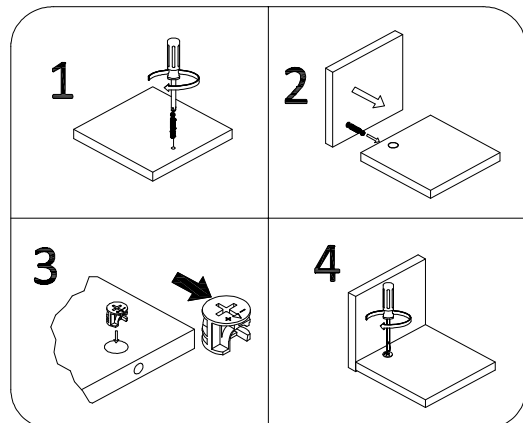
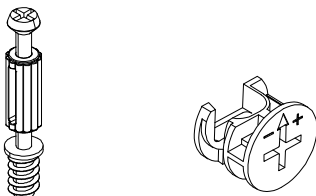


STEP3: Remove Runner



Cam Lock Fastening System

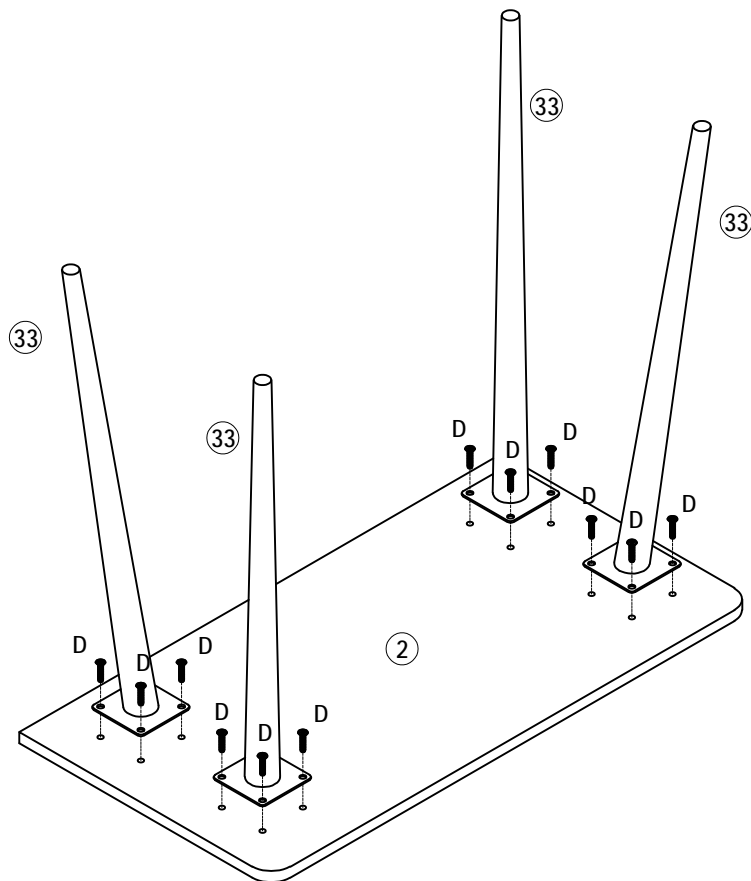
This Cam Lock Fastening System will be used throughout the assembly process



Installation Steps

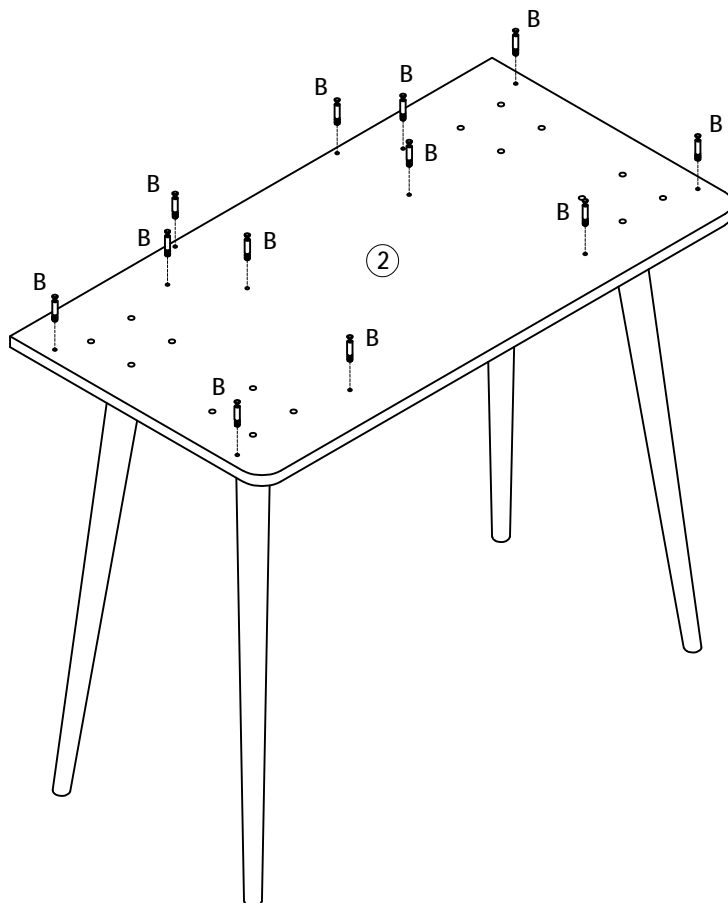
1 ▷

D M6*15
X 16



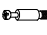


2 ▷

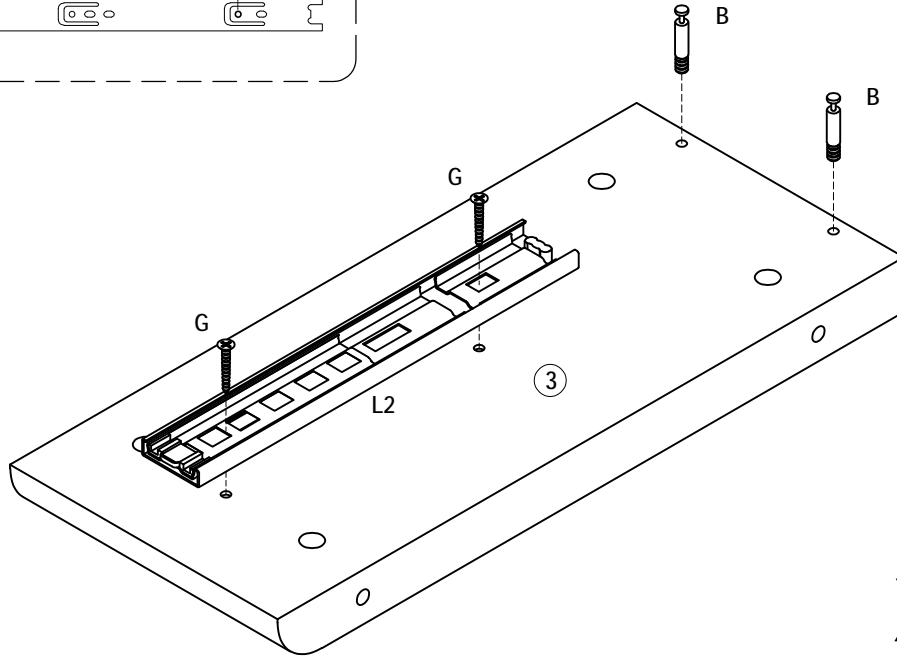
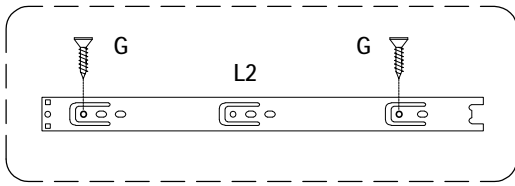
B $\phi 7 \times 40$
X 12



Installation Steps



3 ▶

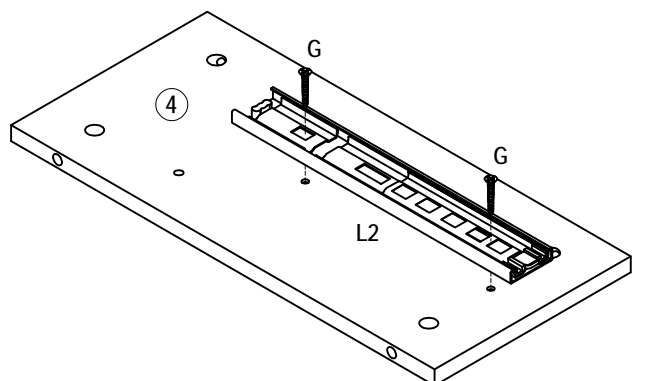
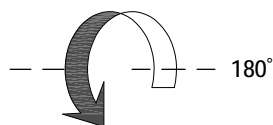
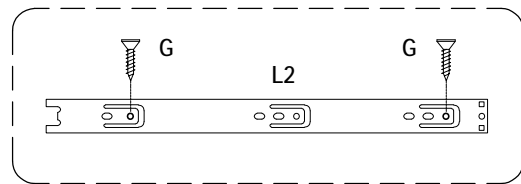
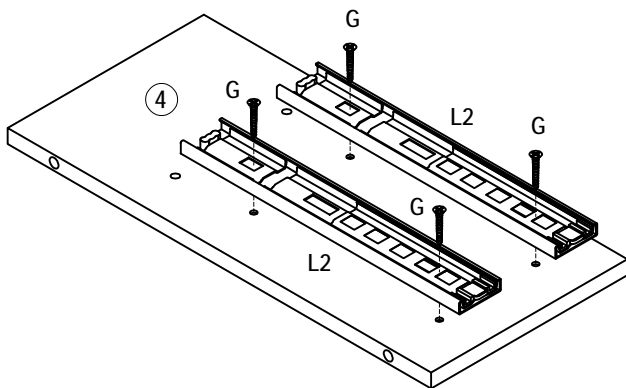
| | | |
|---|--|--|
| B $\phi 7 \times 40$  X 4 | G M3.5*12  X 4 | L 10"  X 1 |
|---|--|--|



x 2

4 ▶

| | |
|--|--|
| G M3.5*12  X 6 | L 10"  X 3 |
|--|--|

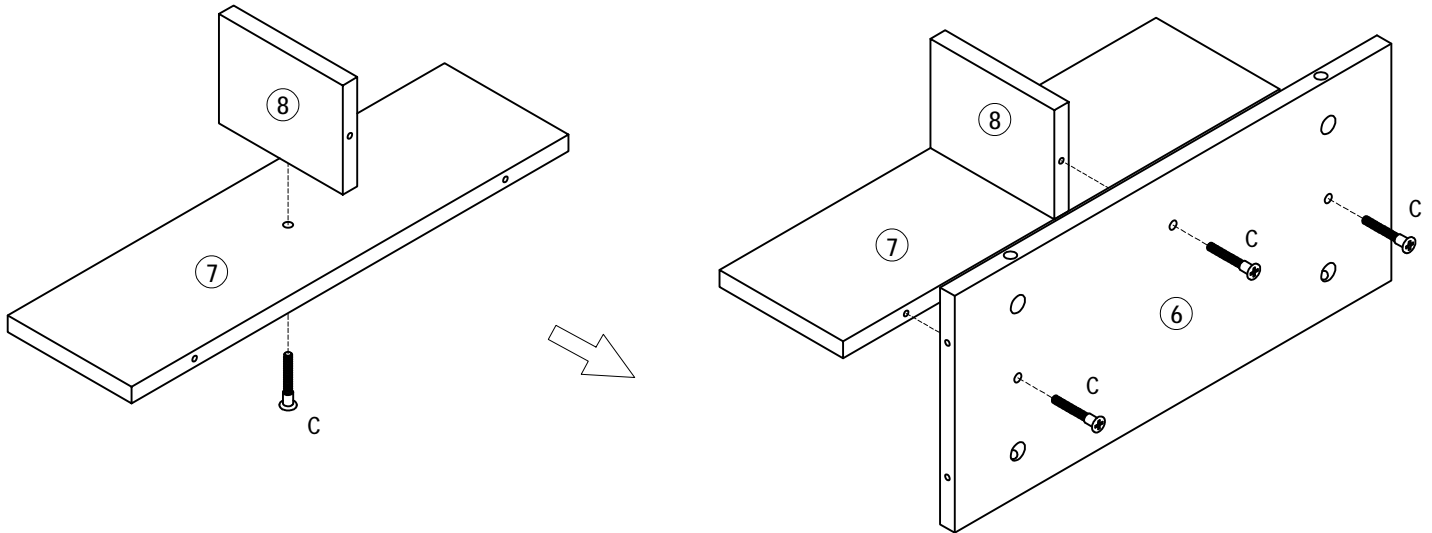


x 2

Installation Steps

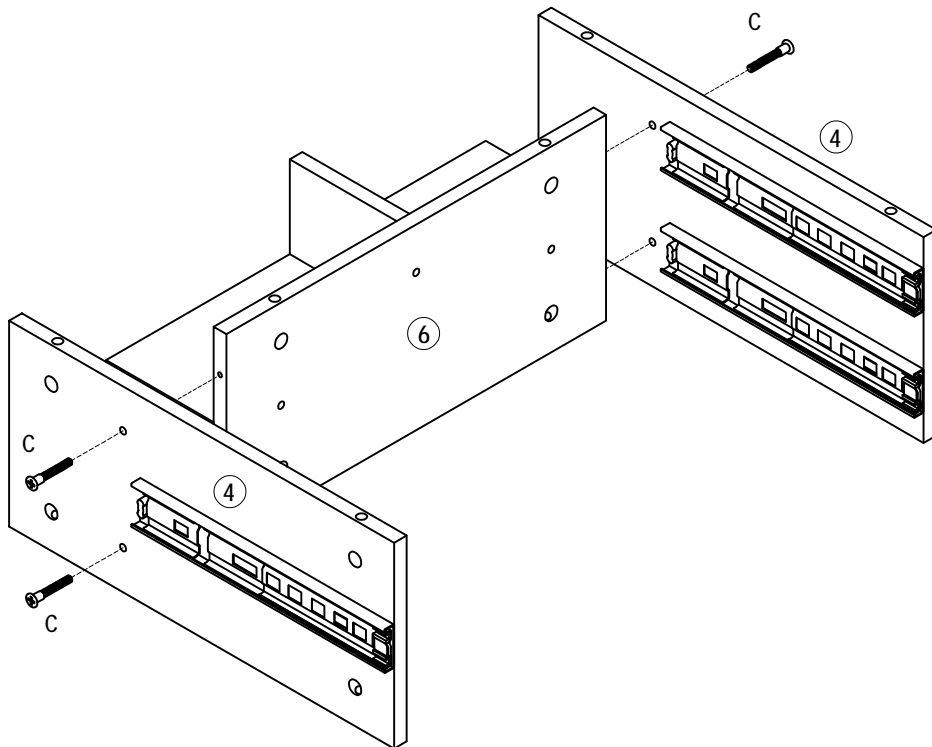
5 ▶

C M5*40
X 4




6 ▶

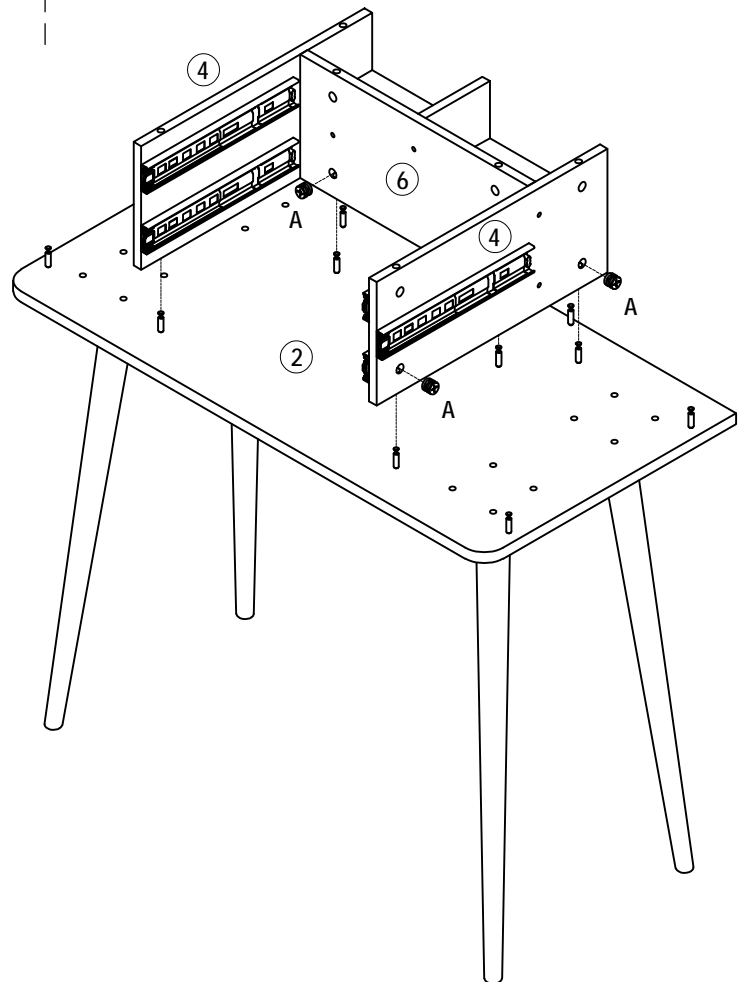
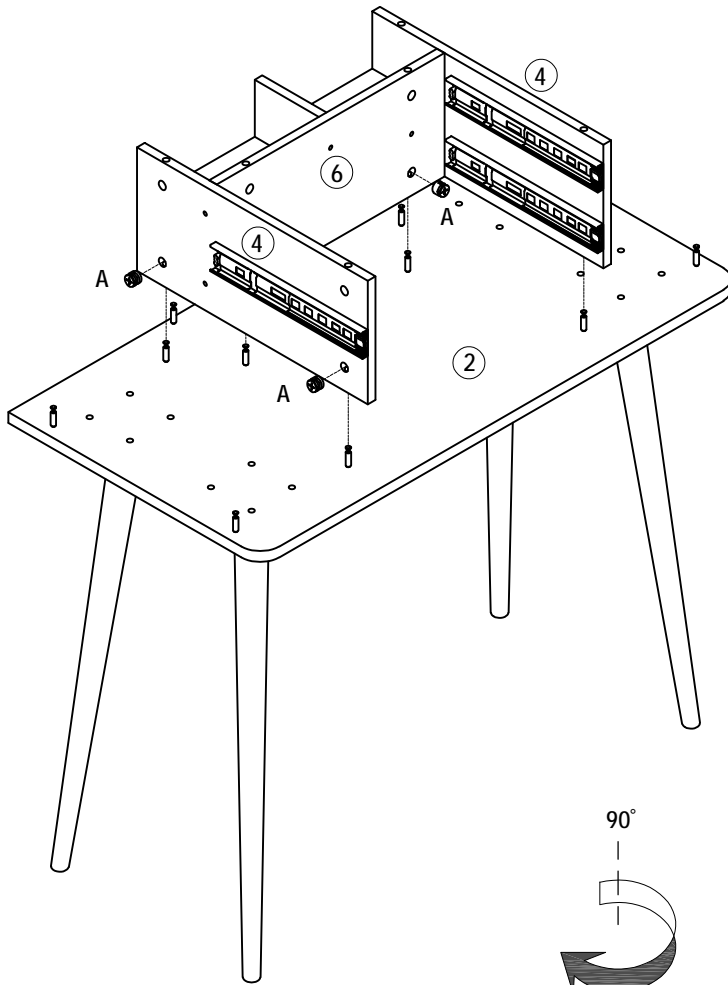
C M5*40
X 4



Installation Steps



7 ▶

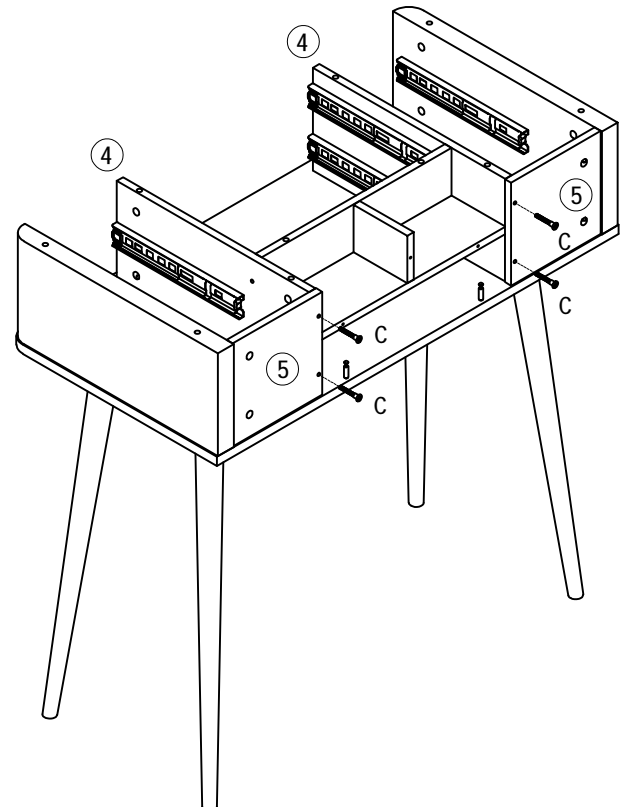
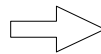
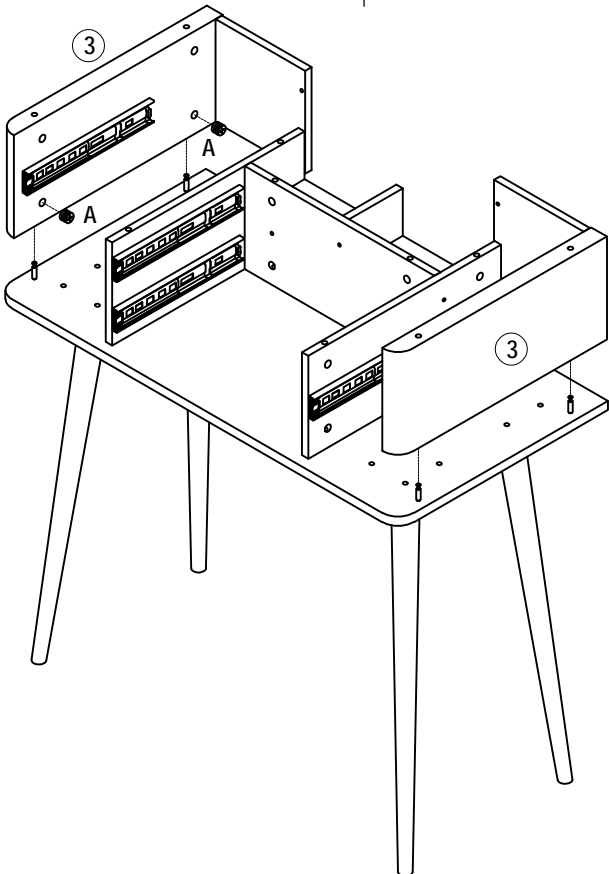
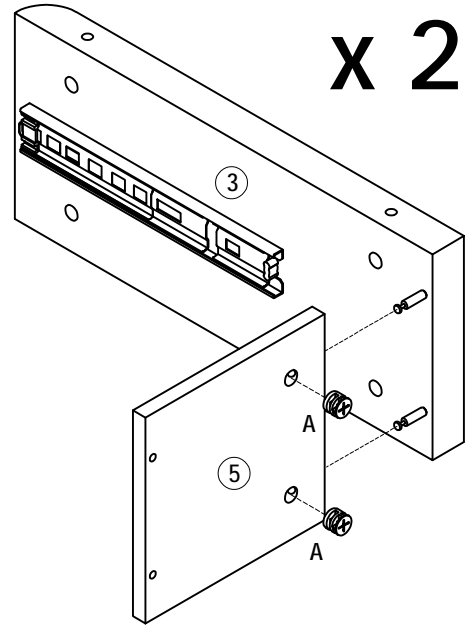
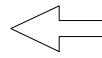
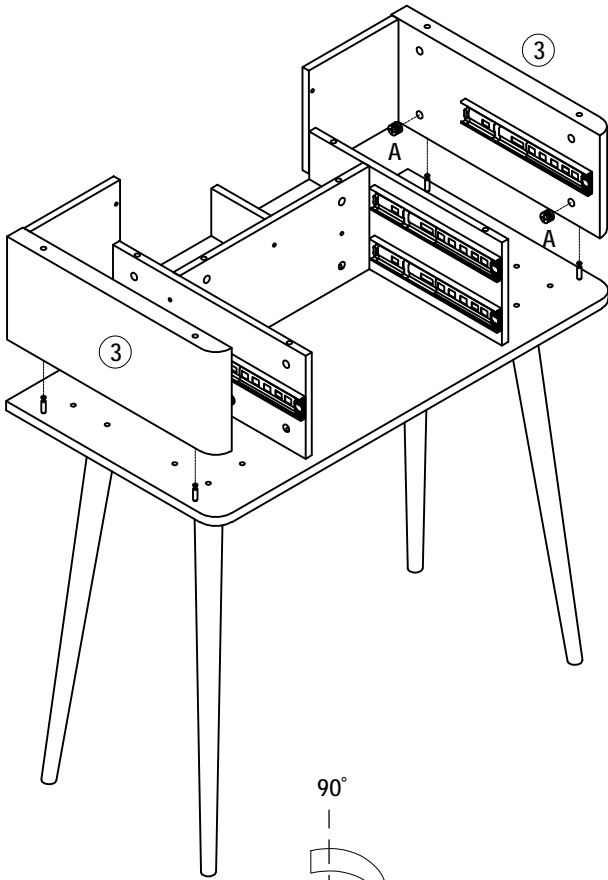
A $\phi 12 \times 10$

X 6



Installation Steps



8 ▶

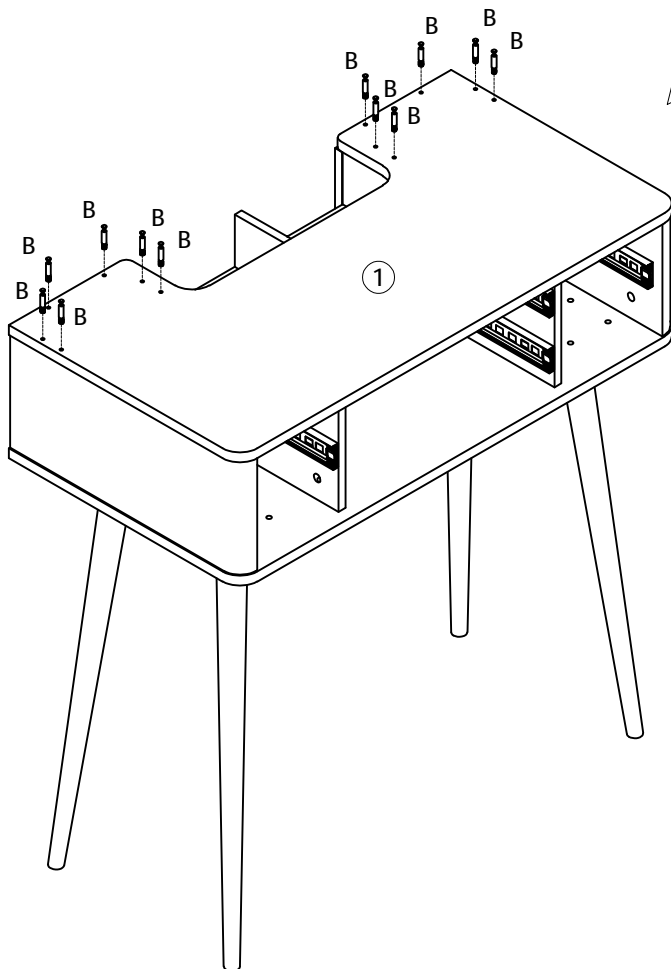
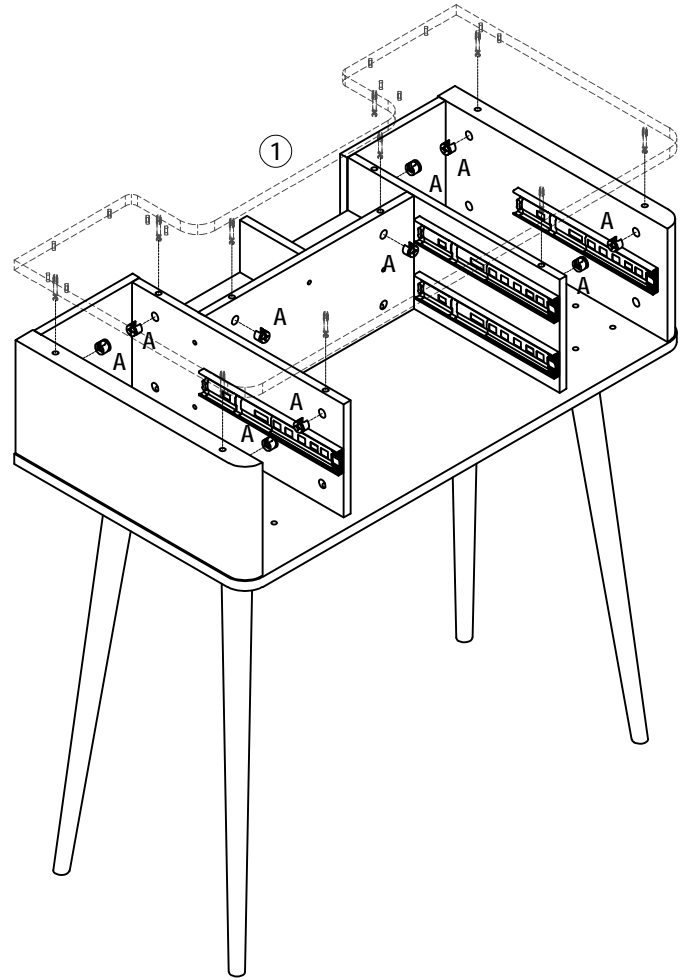
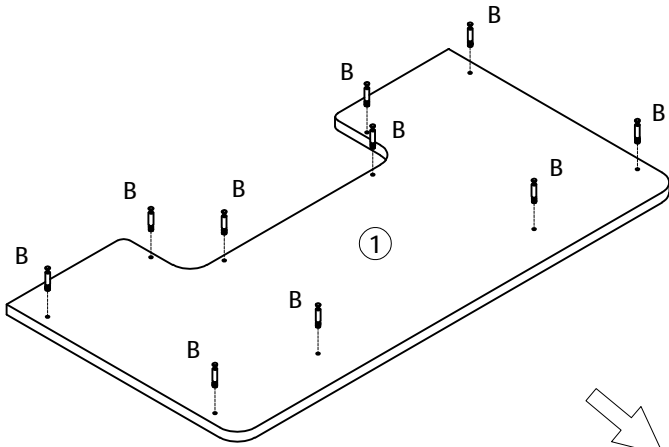
| | | | |
|----------|--|----------|---|
| A | Ø12*10  X 8 | C | M5*40  X 4 |
|----------|--|----------|---|



Installation Steps



9 ▶

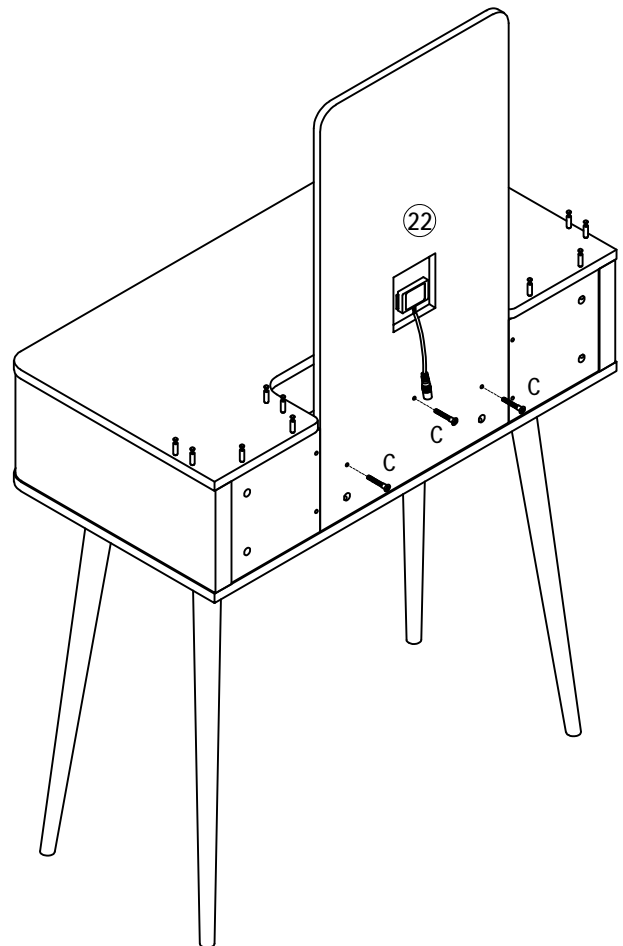
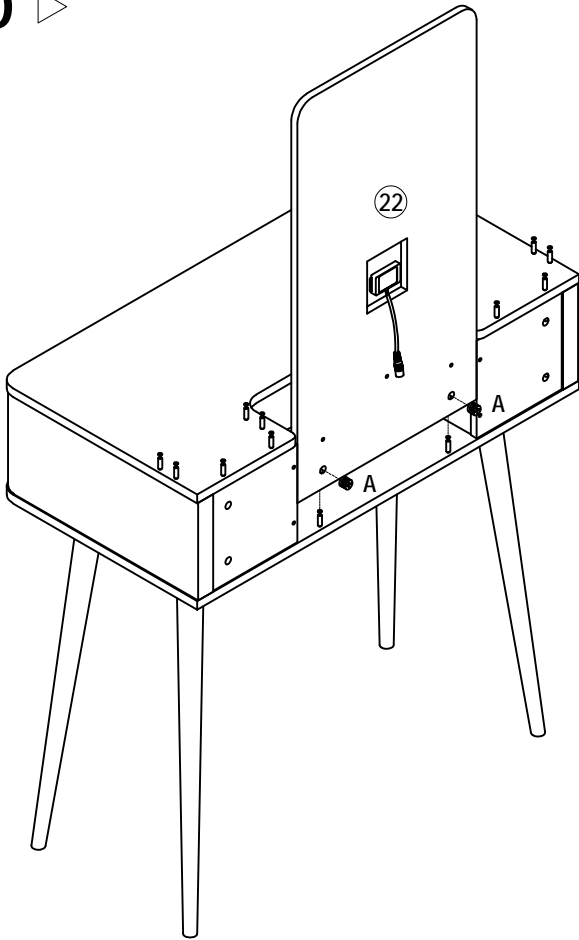
| | | | |
|----------|---|----------|--|
| A | ∅12*10  X 10 | B | ∅7*40  X 22 |
|----------|---|----------|--|



Installation Steps

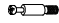

10 ▶

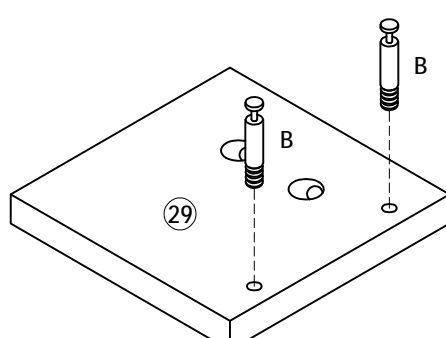
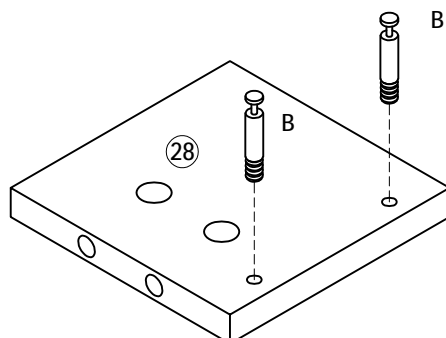
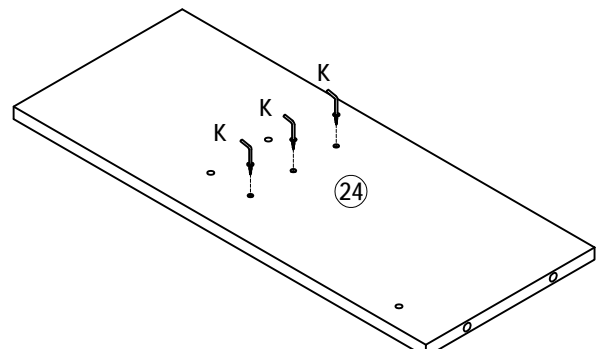
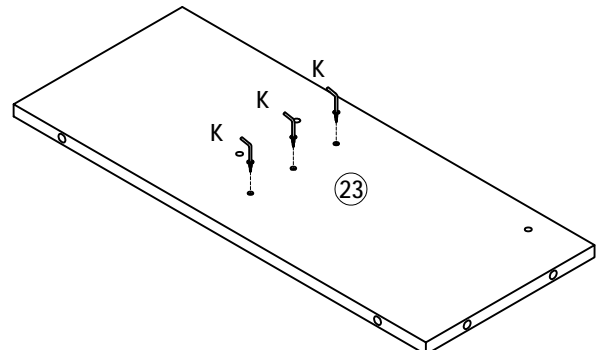
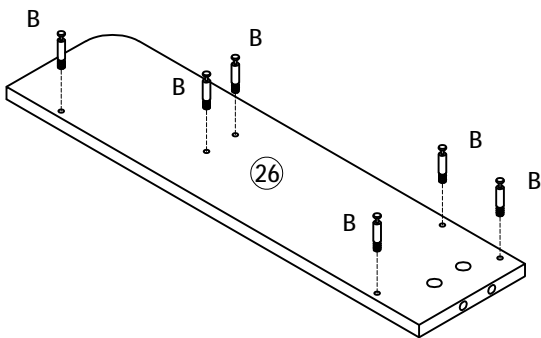
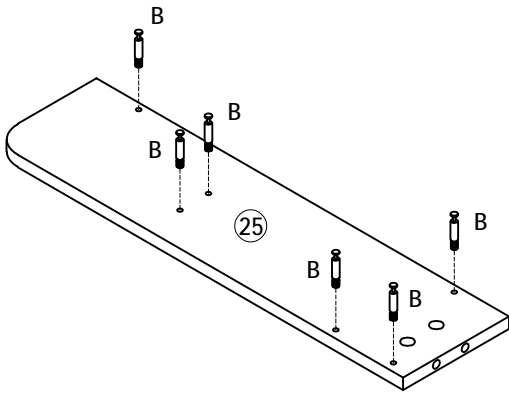
| | | | |
|----------|--|----------|---|
| A | ∅12*10  X 2 | C | M5*40  X 3 |
|----------|--|----------|---|



Installation Steps



11 ▶

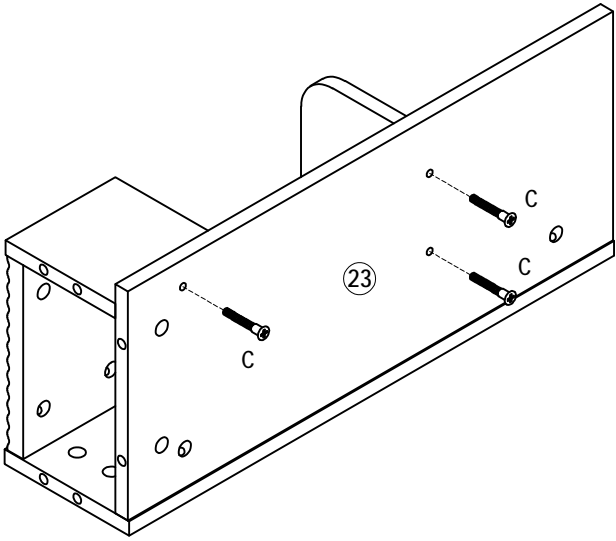
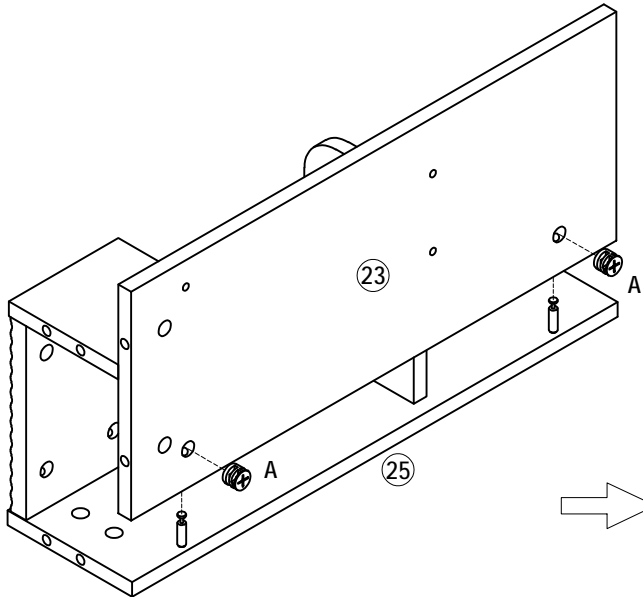
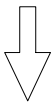
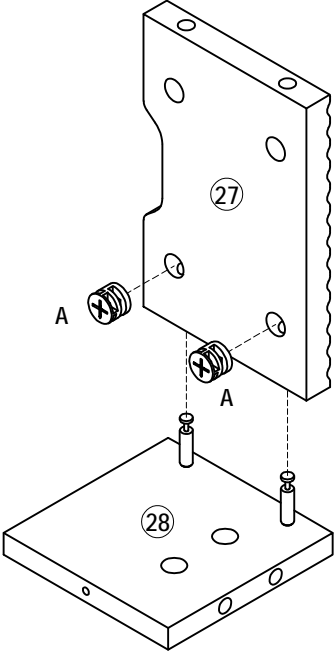
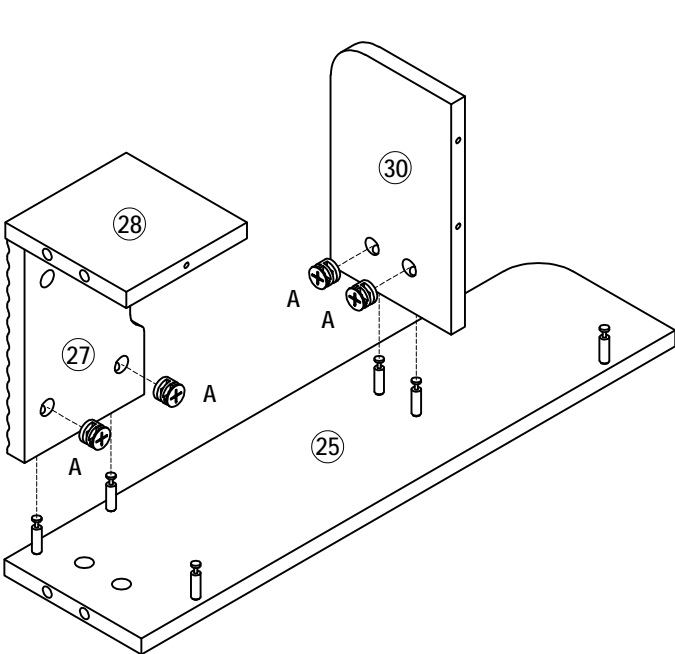
| | | | |
|----------|---|----------|---|
| B | Ø7*40 | K | 3/4 |
| |  | |  |
| | X 16 | | X 6 |



Installation Steps



12 ▶

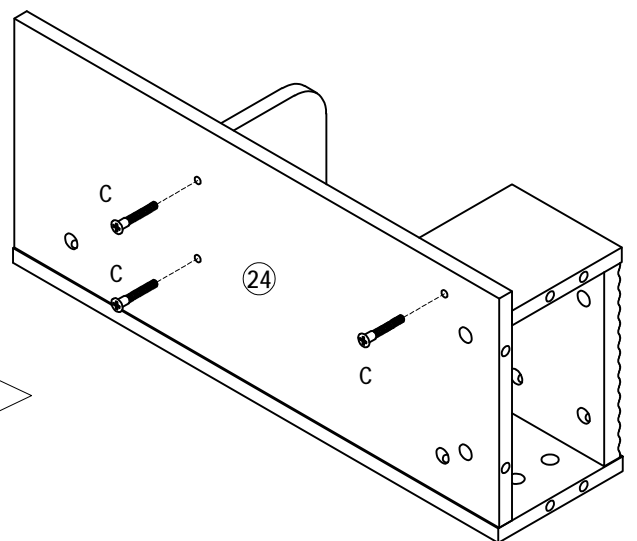
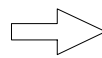
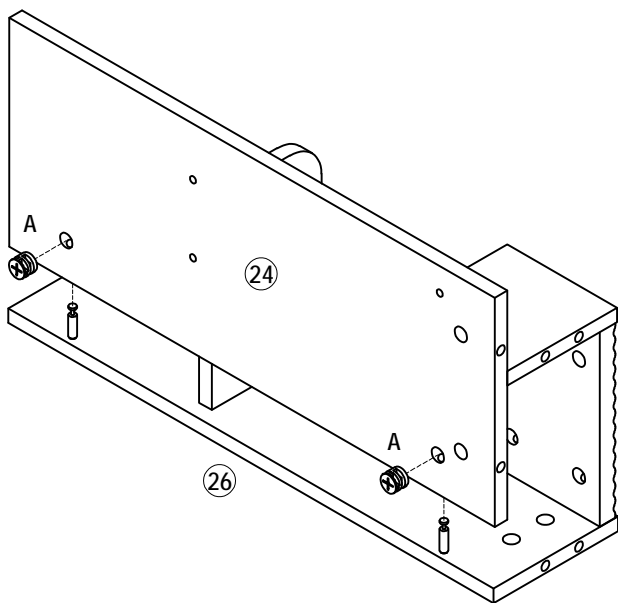
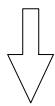
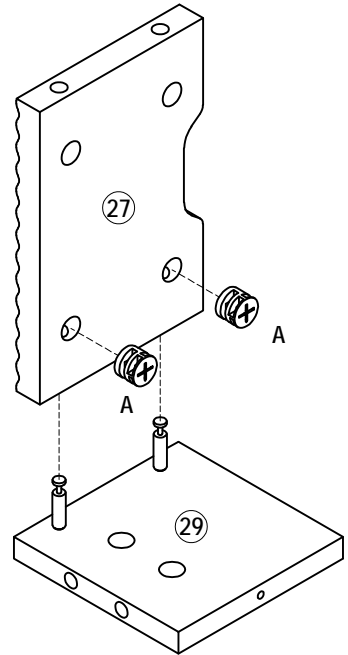
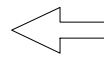
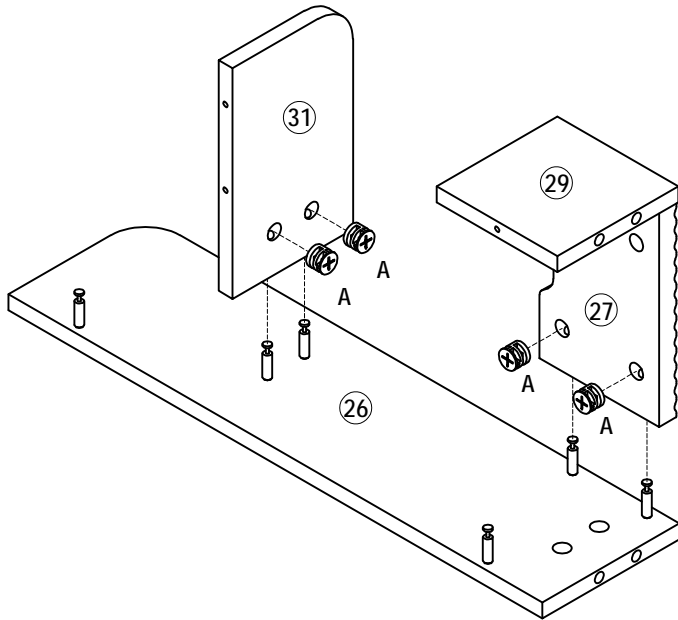
| | | | |
|----------|--|----------|---|
| A | ∅12*10  X 8 | C | M5*40  X 3 |
|----------|--|----------|---|



Installation Steps


13 ▶

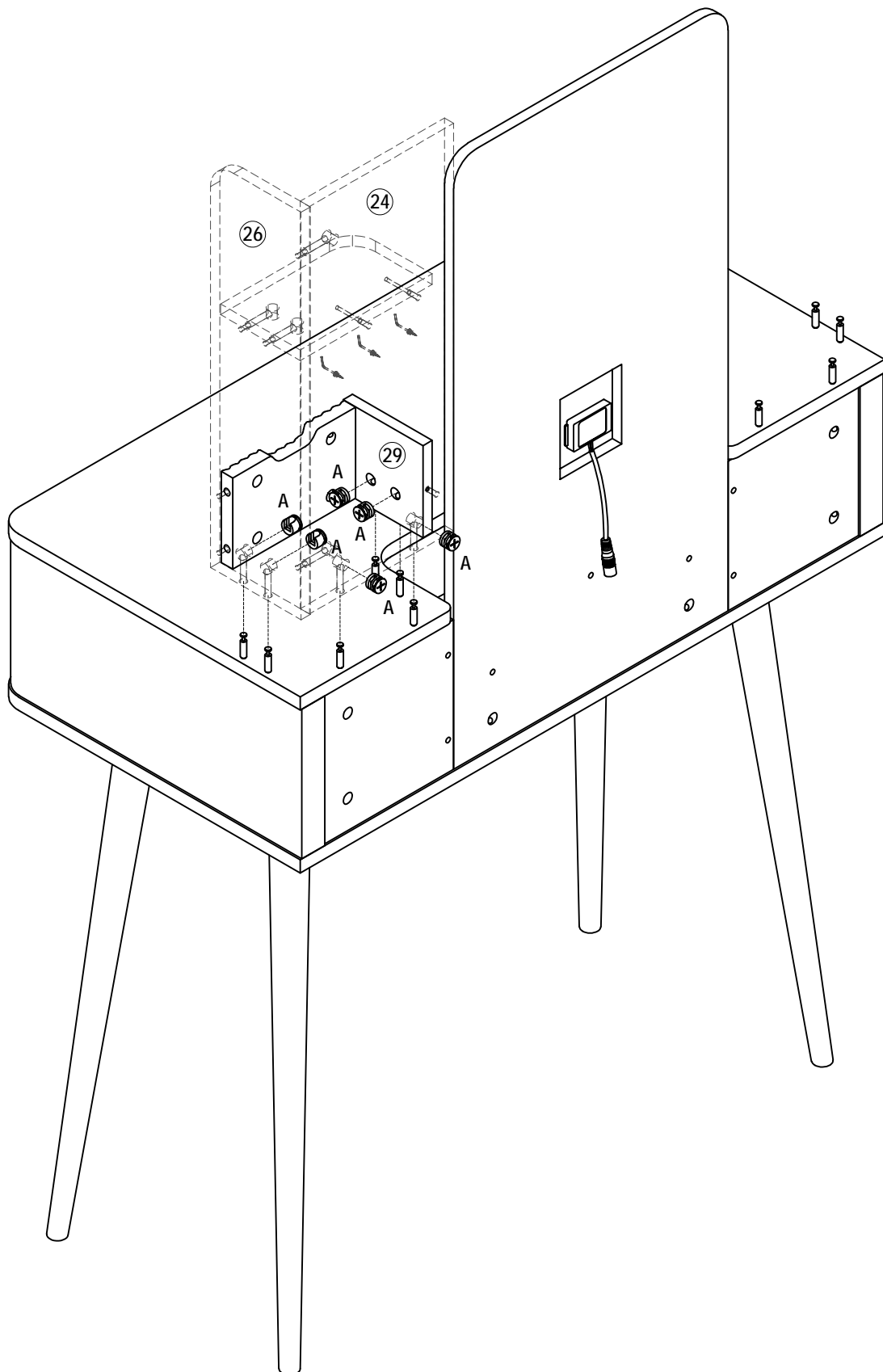
| | | | |
|----------|--|----------|---|
| A | ∅12*10  X 8 | C | M5*40  X 3 |
|----------|--|----------|---|



Installation Steps


14 ▷

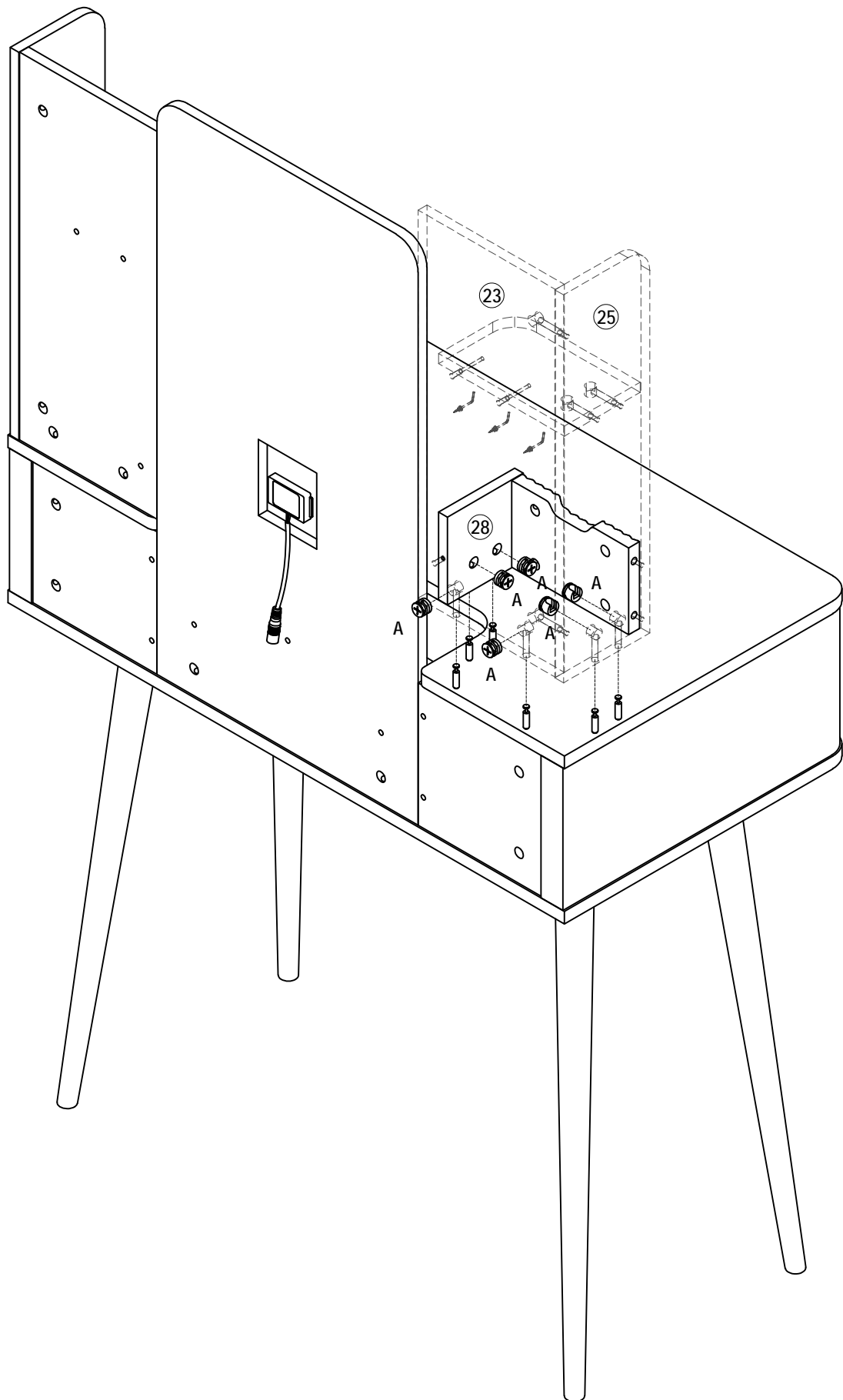
A $\varnothing 12 \times 10$

X 6



Installation Steps

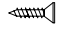

15 ▷

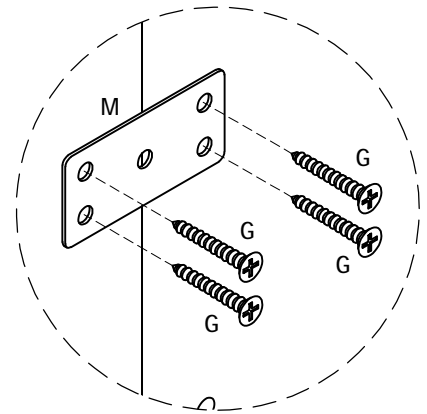
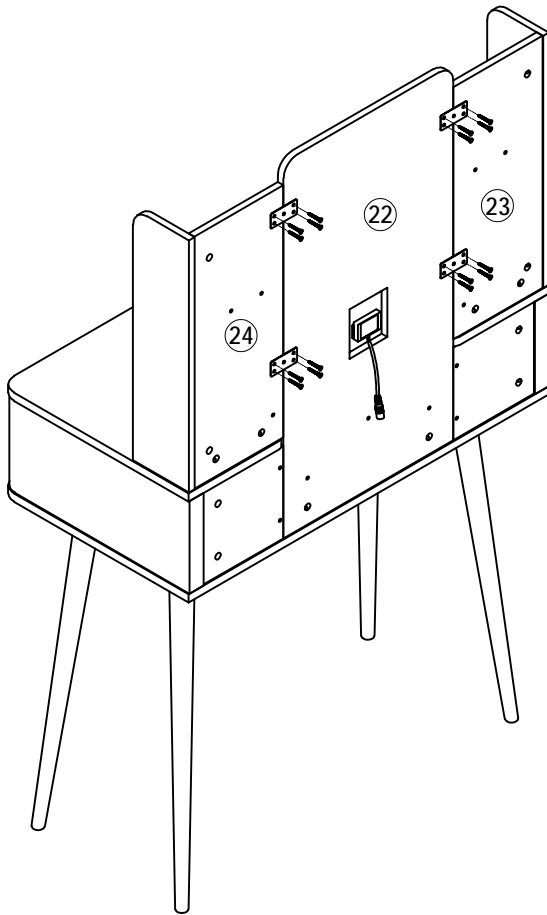
A $\phi 12 \times 10$

X 6



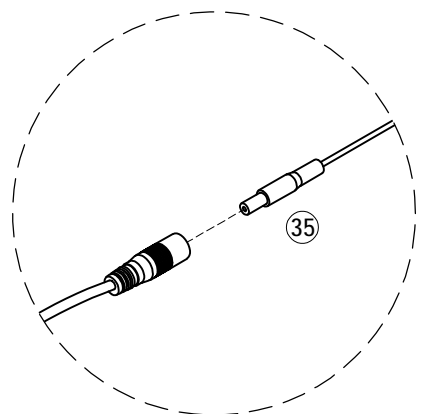
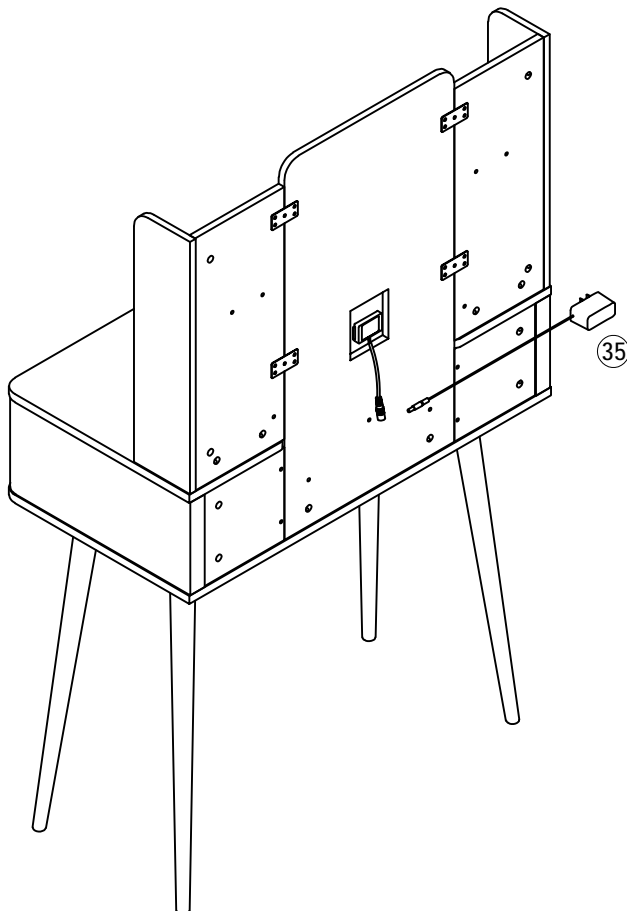
Installation Steps

16 ▶

| | | |
|---|---------|---|
| G | M3.5*12 | M |
|  | |  |
| X 16 | | X 4 |

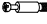
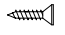


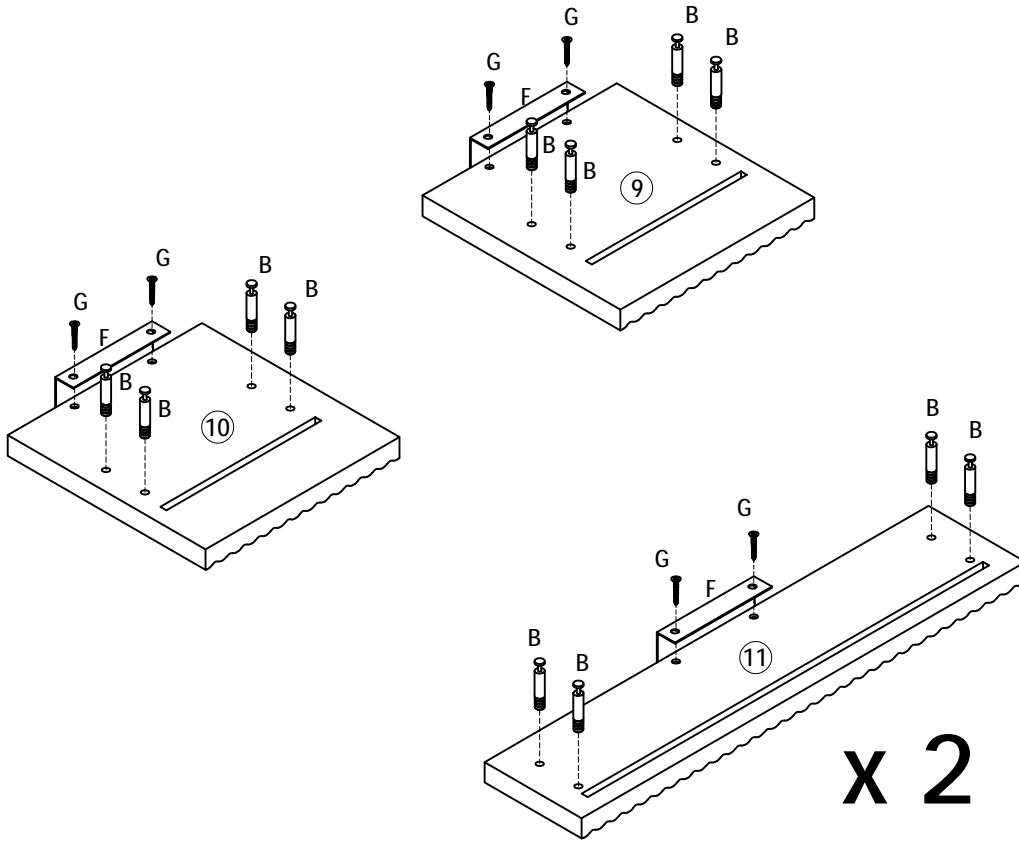
17 ▶



Installation Steps



18 ▶

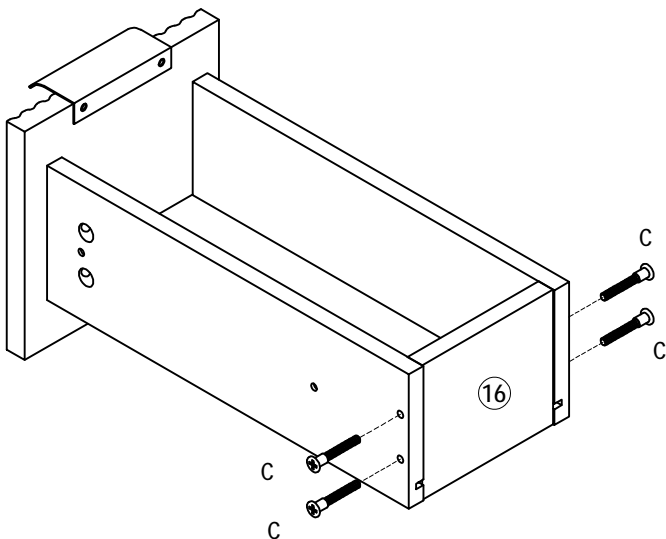
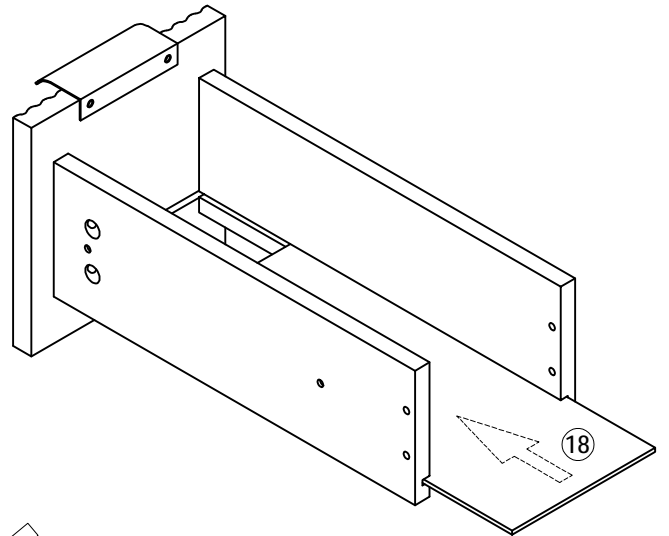
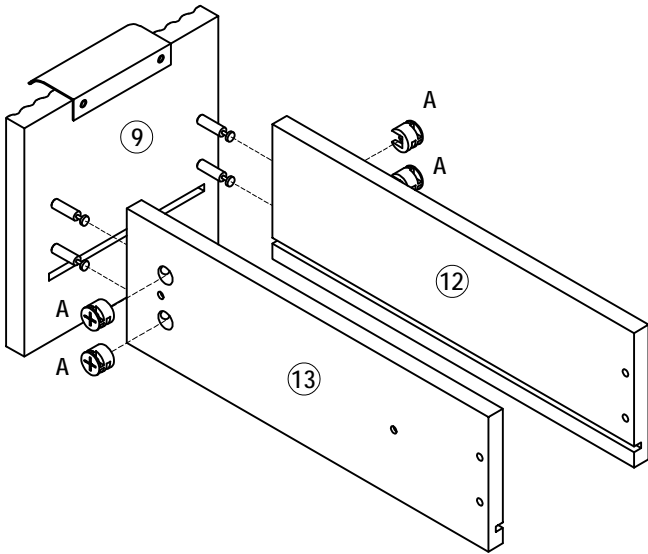
| | | |
|--|---|--|
| B $\phi 7 \times 40$  X 16 | F 64mm  X 4 | G M3.5*12  X 8 |
|--|---|--|



Installation Steps



19 ▶

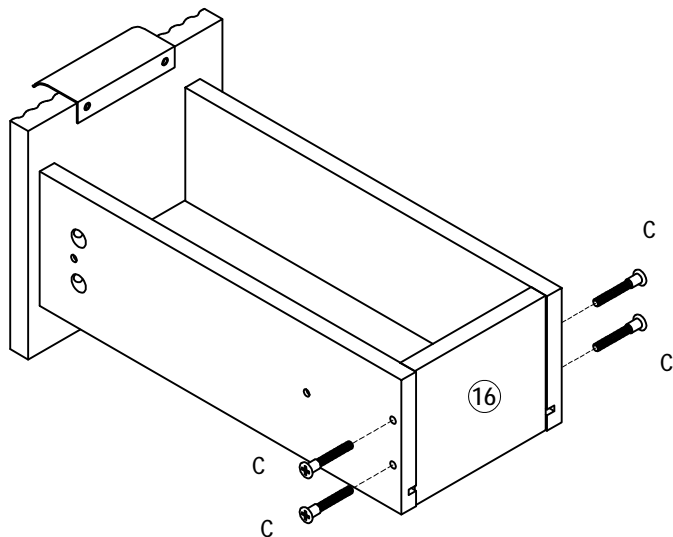
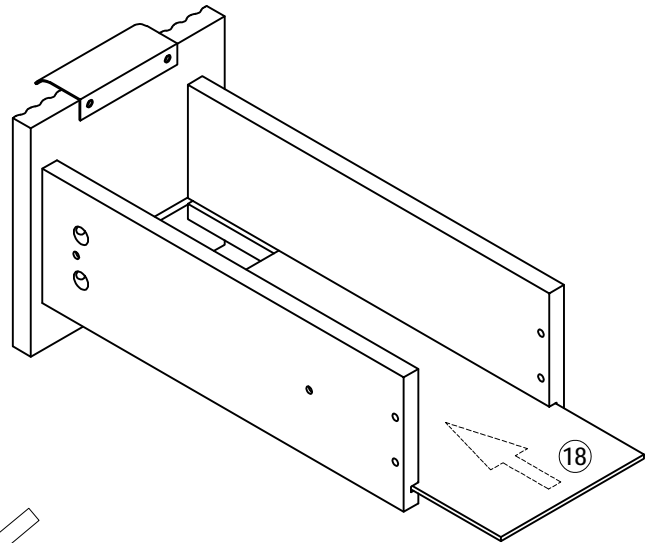
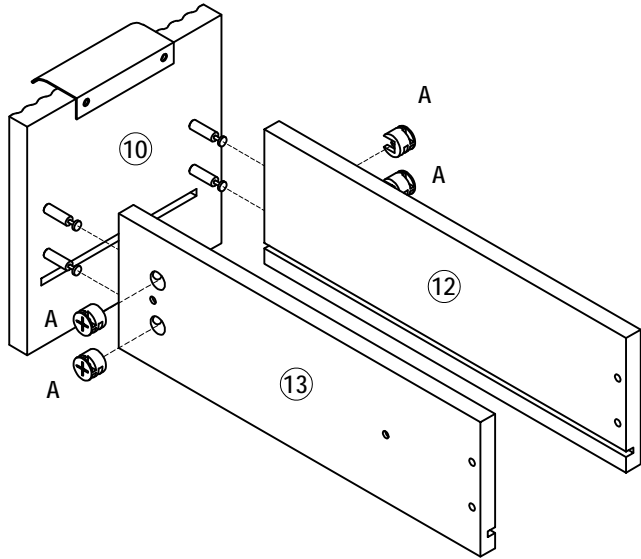
| | | | |
|----------|--|----------|---|
| A | ∅12*10  X 4 | C | M5*40  X 4 |
|----------|--|----------|---|



Installation Steps



20 ▶

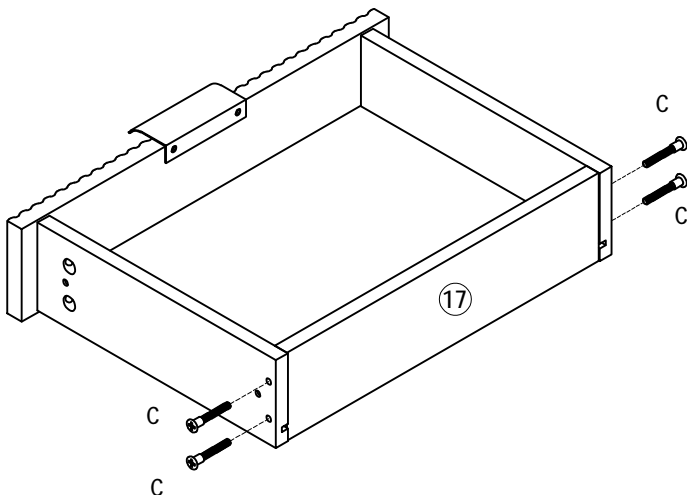
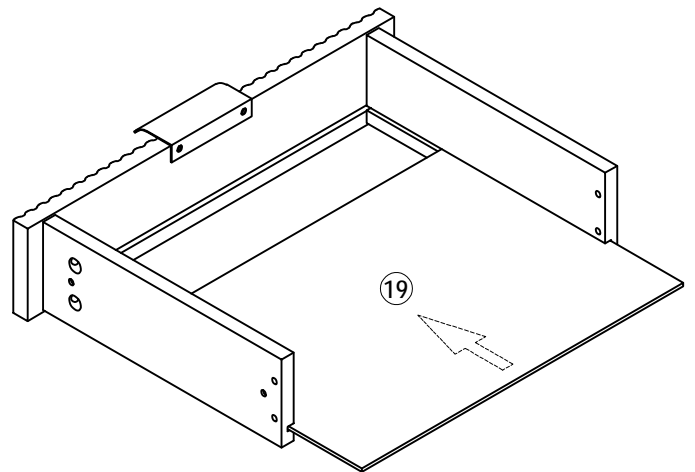
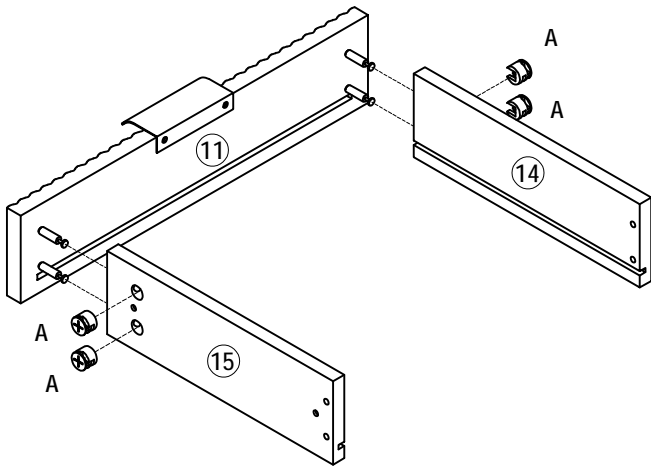
| | | | |
|----------|---|----------|---|
| A | $\varnothing 12 \times 10$ | C | M5 \times 40 |
| |  | |  |
| | X 4 | | X 4 |



Installation Steps

21 ▶

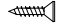
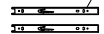
| | | | |
|----------|--|----------|---|
| A | ∅12*10  X 8 | C | M5*40  X 8 |
|----------|--|----------|---|

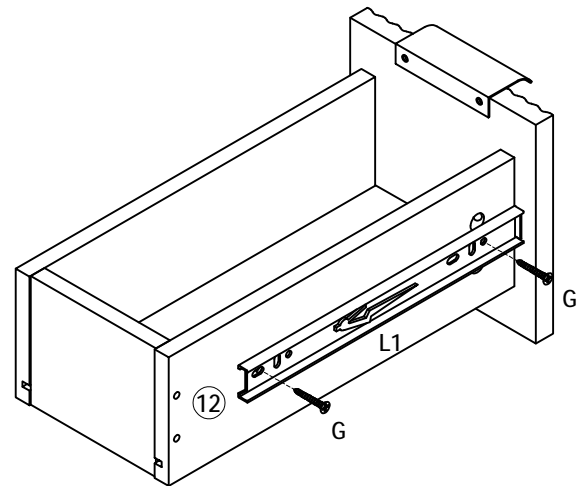
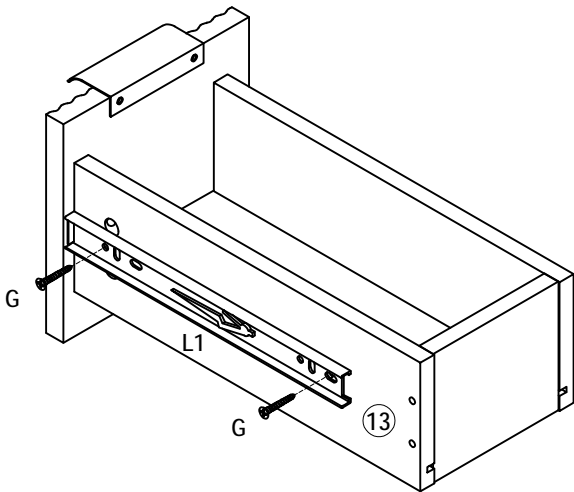
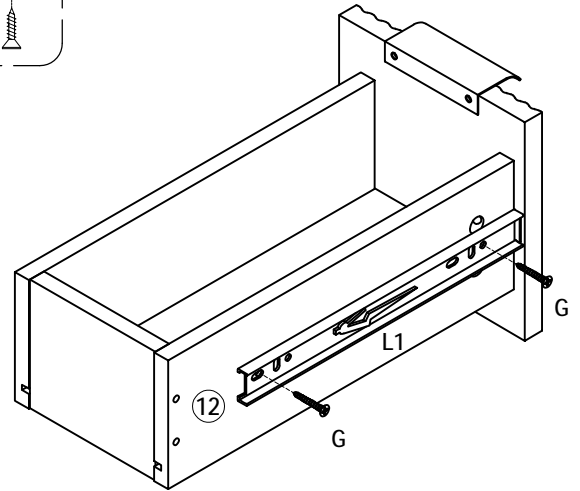
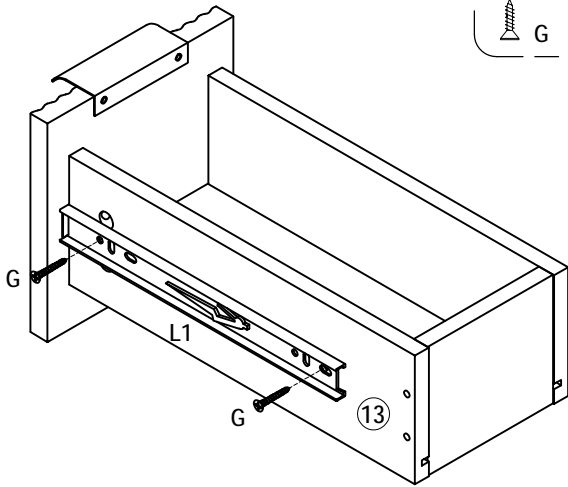
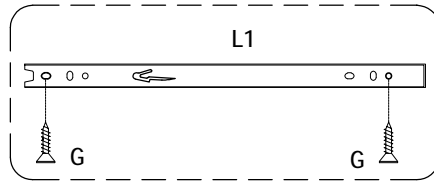


x 2

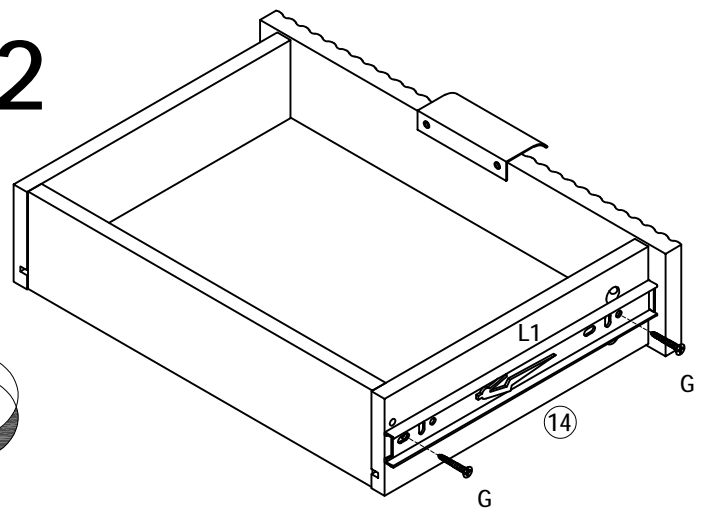
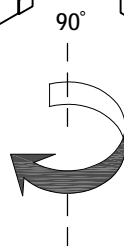
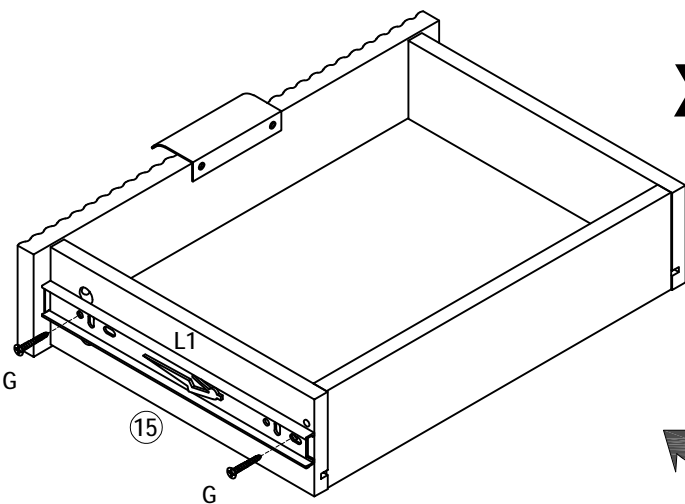
Installation Steps

22 ▶

| | | | |
|---|---------|---|-----|
| G | M3.5*12 | L | 10° |
|  | |  | |
| X 16 | | X 4 | |

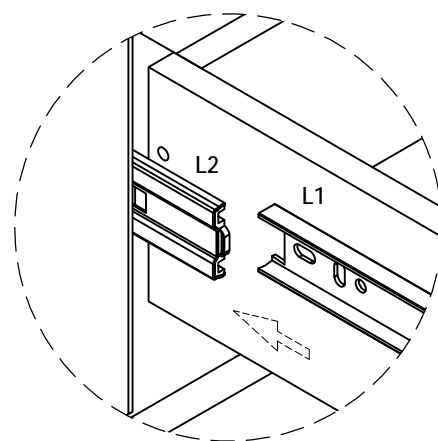
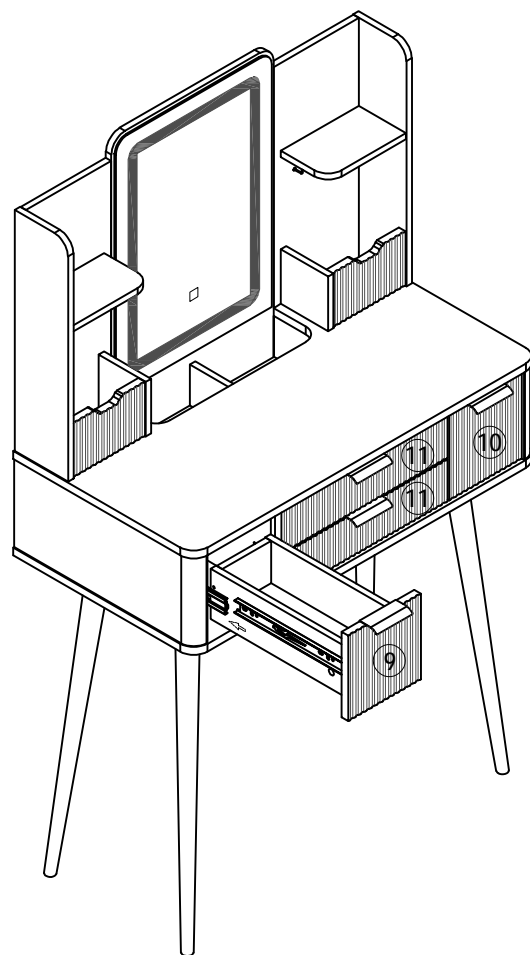


x 2

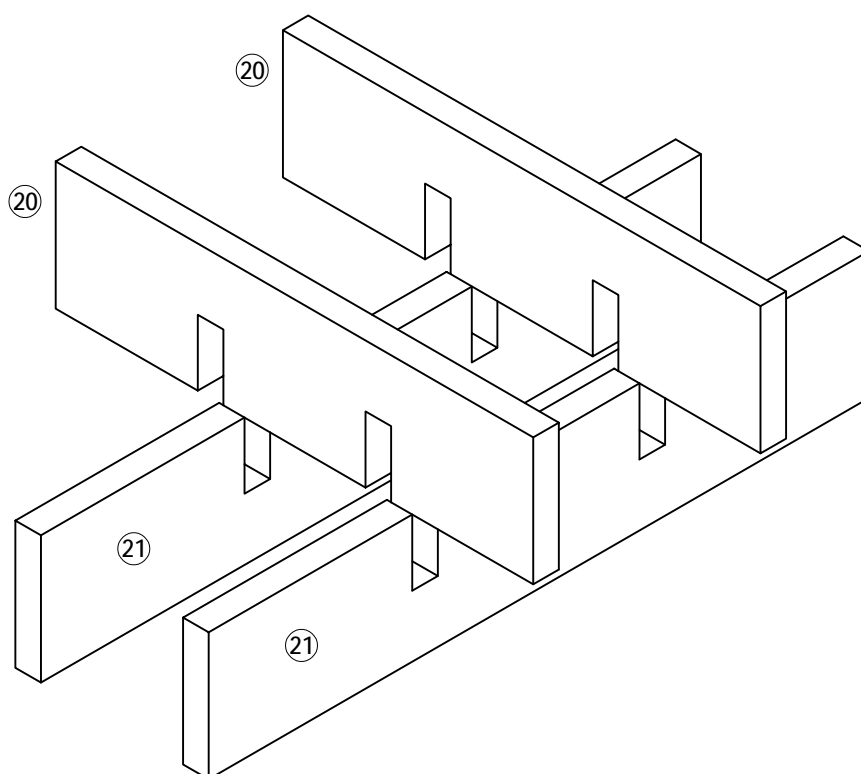


Installation Steps

23 ▷

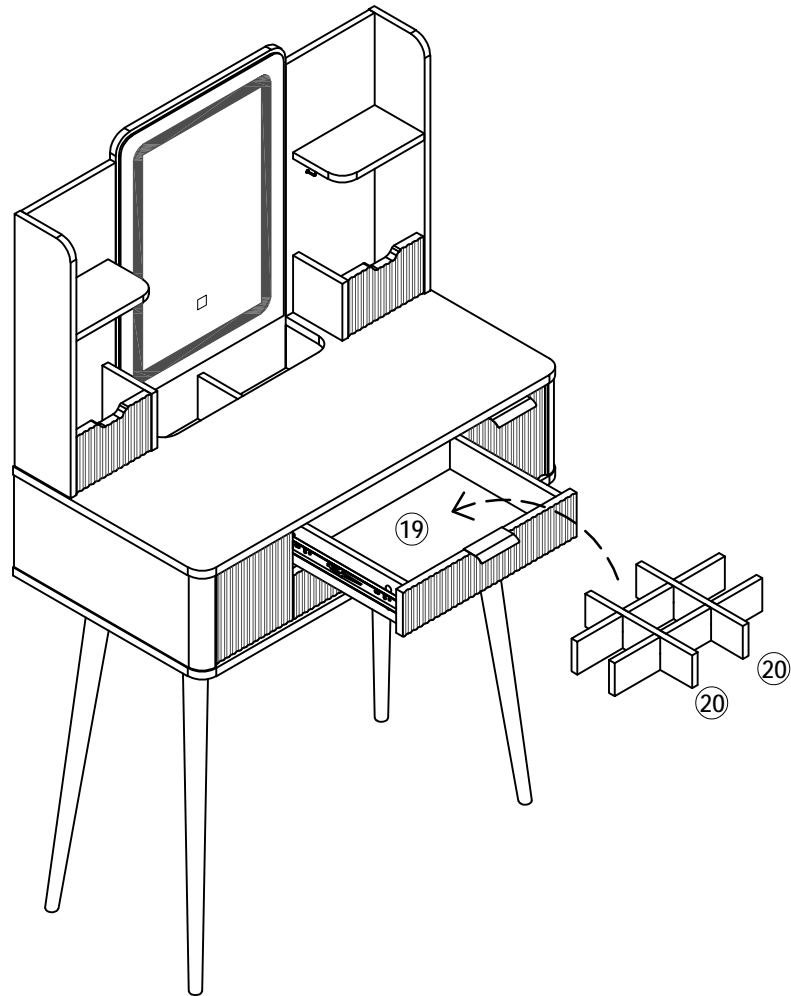


24 ▷



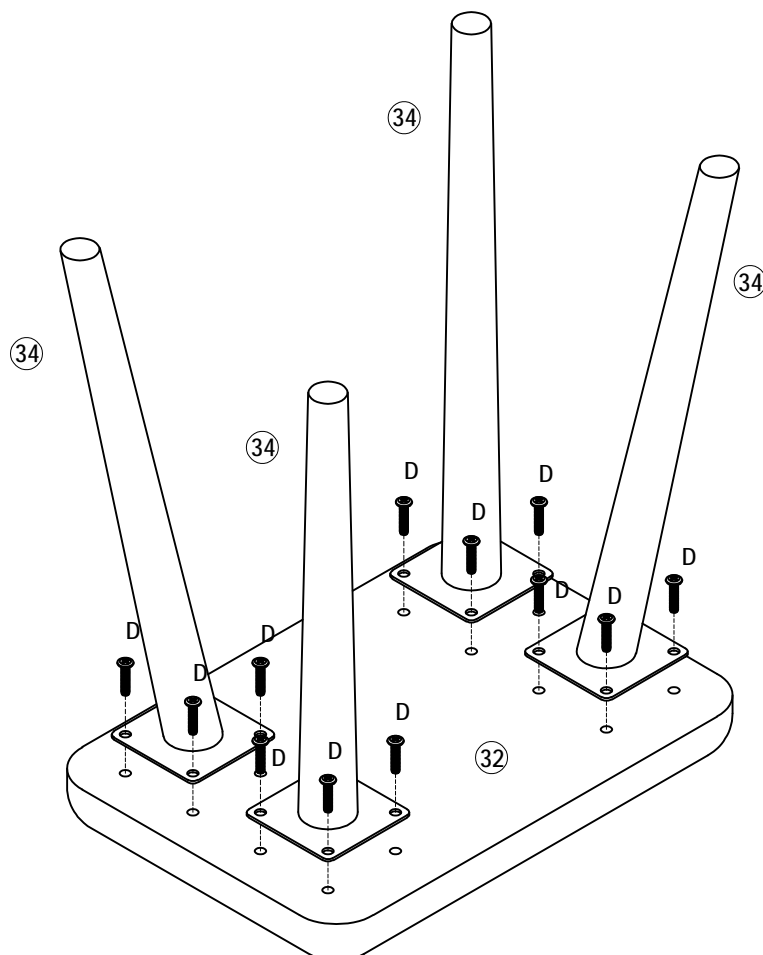
Installation Steps

25 ▷



26 ▷

D M6*15
X 16



Installation Steps

27 ▷

