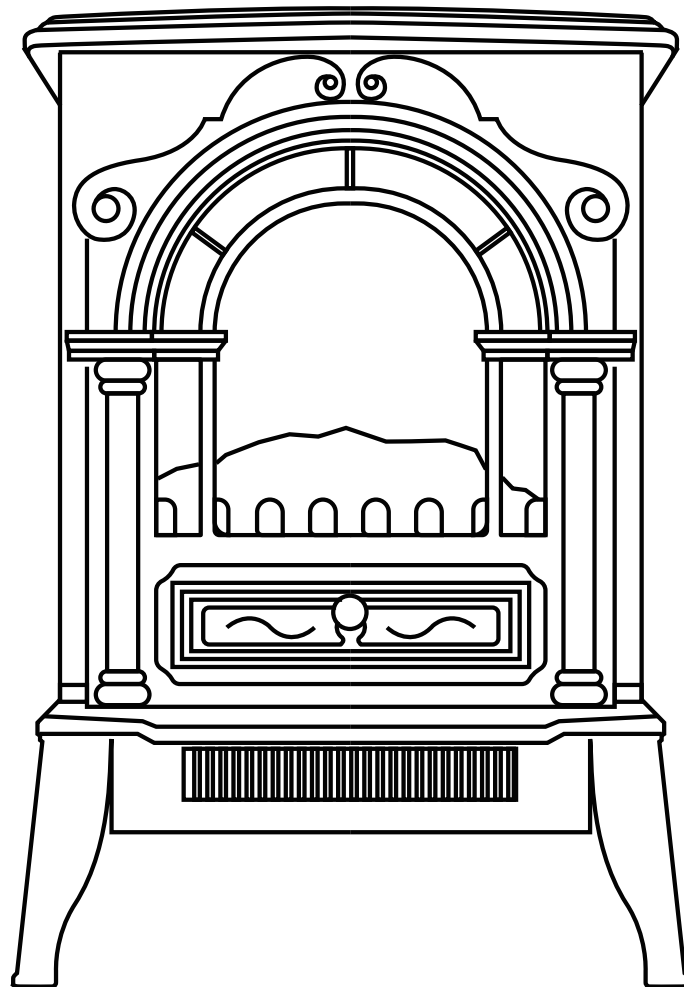


# INSTRUCTION MANUAL

## Electric Fireplace Stove



# WELCOME TO THE FUTURE!

Thank you for choosing our electric fireplace stove heater! Our products are designed to be both stylish and functional, with a focus on energy efficiency and sustainability. We use high-quality materials to ensure that our pieces are built last, so you can enjoy them for years.

Whether you're looking for a cozy electric fireplace heater or a stylish living room decorative piece, this product will satisfy.

Our products are perfect for any home or office, and we're confident that you'll love them as much as we do!

# IMPORTANT INSTRUCTIONS

**PLEASE READ ALL INSTRUCTIONS BEFORE USING THIS HEATER.**

**WHEN USING ELECTRICAL APPLIANCES, BASIC PRECAUTIONS SHOULD ALWAYS BE FOLLOWED TO REDUCE THE RISK OF FIRE, ELECTRIC SHOCK AND PERSONAL INJURY, INCLUDING THE FOLLOWING:**

**When switching on the appliance for the first time, allow it to run at full power for about two hours to get rid of the unpleasant smell. Make sure that the room in which the appliance is located is well ventilated during this operation. It is normal for the appliance to emit small cracking sounds when you turn it on for the first time.**

**IMPORTANT** SAFETY INSTRUCTIONS. **READ** ENTIRE MANUAL PRIOR TO USE.

**YEA, THE BORING STUFF .....**

**...but read it, so you don't jack things up!**

PLEASE READ ALL OF THE INFORMATION IN THIS OPERATING MANUAL, INCLUDING ALL SAFETY OPERATING, AND MAINTENANCE INFORMATION. TO AVOID THE POTENTIAL RISK OF FIRE, ELECTRIC SHOCK, OR INJURY TO PERSONS, USERS SHOULD FOLLOW THE DIRECTIONS AND WARNINGS IN THIS MANUAL

1. Read all instructions before using this heater.
2. This heater is hot when in use. To avoid burns, do not let bare skin touch hot surfaces. Use a handle when moving the unit. Keep flammable materials such as furniture, pillows, bedding, papers, clothes, and curtains at least 3 feet (0.9 m) from the front and top of the heater and keep them away from the sides and the rear of the heater. Keep the rear grille away from walls or drapes so as not to block the air intake.
3. Extreme caution and supervision are necessary when any heater is used near children or the invalids and whenever the heater is left operating and unattended.
4. Always unplug the heater when not in use.
5. Do not use any heater when it has a damaged cord or plug, it malfunctions, or it has been dropped or damaged in any manner. Discard the heater or return it to an authorized service facility for examination and/or repair.
6. Do not use it outdoors.
7. This heater is not intended for use in bathrooms, laundry areas or other similar indoor locations. Never locate the heater where it may fall into a bathtub or other water containers.

**IMPORTANT** SAFETY INSTRUCTIONS. **READ** ENTIRE MANUAL PRIOR TO USE.

8. Do not run the cord under carpeting. Do not cover the cord with throw rugs, runners, or similar coverings. Do not lay out the cord under furniture or appliances. Arrange the cord away from traffic areas and place it where it will not be tripped over.
9. To disconnect the heater, turn off the control, and then remove the plug from the outlet.
10. This appliance has a polarized plug (one blade is wider than the other). This plug is intended to fit a polarized outlet only one way. If the plug does not fit fully in the outlet, reverse the plug. If it still does not fit, consult a qualified electrician. Do not connect the heater to extension cords, surge protectors, timers, direct breakers, or an outlet with other appliances connected to the same outlet. **Risk of fire, overheat, malfunction, property damage, injury, or even death may result if not adhered to!**
11. Only connect to properly polarized outlets.
12. Do not insert or allow foreign objects to enter ventilation or exhaust openings, as this may cause an electric shock or fire, or damage the heater.
13. To prevent a possible fire, do not block air intakes or exhaust in any manner. Do not use on soft surfaces, like a bed, where openings may become blocked.
14. A heater has hot and arcing or sparking parts inside. Do not use it in areas where gasoline, paint, or flammable liquids are used or stored.
15. Use this heater only as described in this manual. Any other use not recommended by the manufacturer may cause fire, electric shock, injury to persons or other damage to property.
16. This heater must be plugged into a 120V, 15 amp (or more) circuit of its own. Nothing else can be plugged into the same circuit. If you are unsure whether the circuit in your home meets this specification, consult a certified electrician prior to use. **Risk of fire, overheat, malfunction, property damage, injury, or even death may result if not adhered to!**
17. To prevent overload and blown fuses, be sure that no other appliance is plugged into the same outlet or into another outlet wired into the same circuit.
18. It is normal for the heater's plug and cord to feel warm to the touch. A plug or cord that becomes hot to the touch or becomes distorted in shape may be a result of a worn electrical outlet. Worn outlets or receptacles should be replaced prior to the further use of the heater. Plugging the heater into a worn outlet/receptacle may result in overheating of the power cord or fire.

**IMPORTANT** SAFETY INSTRUCTIONS. **READ** ENTIRE MANUAL PRIOR TO USE.

19. Ensure the heater is on a stable, secure surface to eliminate the potential of tipping over.
20. Always plug the heater directly into a wall outlet/receptacle. Never use with an extension cord or relocatable the power tap (outlet /power strip).
21. Be sure that the plug is fully inserted into an appropriate receptacle. Please remember that receptacles also deteriorate due to aging and continuous use: check periodically for signs of overheating or deformations evidenced by the plug. Do not use the receptacle and **CALL** your electrician.
22. Check that neither the appliance nor the power cable has been damaged in any way during transportation.
23. Make sure that no pieces of polystyrene or other packaging material have been left between elements of the appliance. It may be necessary to pass over the appliance with a vacuum cleaner.
24. This appliance is not intended for use by persons (including children) with reduced physical, sensory or mental capabilities, or lack of experience and knowledge, unless they have been given supervision or instruction concerning use of the appliance by a person responsible for their safety. Children should be supervised to ensure that they do not play with the appliance.

**CAUTION:** To prevent electric shock, match and fully insert the wide blade of the plug to the wide slot.

# ELECTRIC FIREPLACE HEATERS

**This product is only suitable for well-insulated spaces and occasional use**

Model	Voltage	Frequency	Power
A	120V~	60Hz	1000w/1500w

This is an emulational flame electric fireplace. The theory of the product is to use a fan to flow the hot air heated by the heating elements in order to achieve the effect of indoor heating.

## WARMING TIPS

Immediately after unpacking please check that the delivery is complete and all product parts are in good condition.

# TOOLS NEEDED FOR ASSEMBLY

## GRAB YOUR TOOLS



Phillips ("+") screwdriver (not included)

## PARTS AND HARDWARE

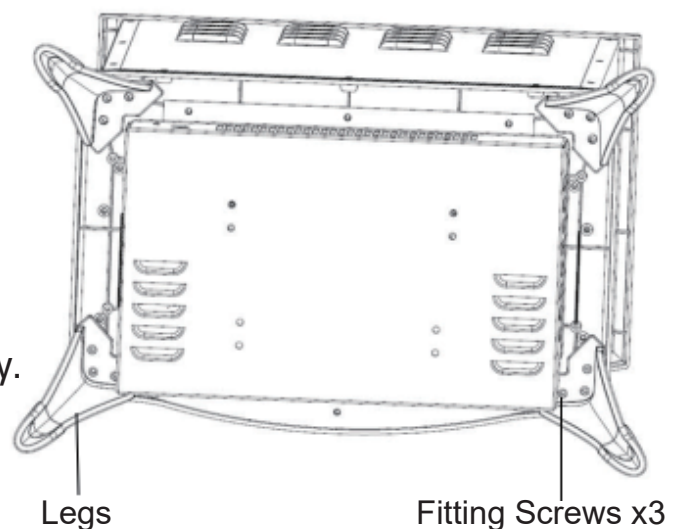
Item	Description	Qty
A	Stove	1
B	Legs	4
C	Screws	12

## ATTACHING THE LEGS

1. Turn the product on its side to start attaching legs.
2. Place a leg on each corner and use 3 screws for each leg.
3. Tighten the screws clockwise until each leg is tightened.
4. Turn the unit back up to standing position and make sure it is stable.
5. Place the unit on the required location and plug in. It is now ready for use.

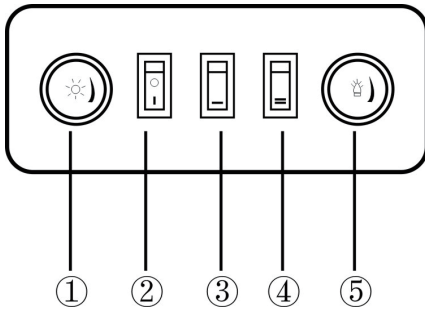
### **NOTE:**





The drawing below is for illustration purposes only. Your product may be slightly different in looks but the operations are the same.



# OPERATING INSTRUCTIONS

## Location of Controls



1. Thermostat control knob (**TEMPERATURE SETTING**) – Adjust to maintain the room temperature
2. Flame switch – Switch the flame effect and turn the power on/off
3. Heating setting – Please press “  ” for 1000W
4. Heating setting – Please press “  ” and “  ” at the same time for 1500W (it can not operate without pressing “  ” first)
5. Flame dimmer control – Adjust to set the flame intensity

# OVERHEATING SAFE DEVICE

If the heater stops working, turn the heater off and inspect the blockage of inlet or outlet. **Disconnect the plug and wait at least 10 minutes** for the protection system to reset before attempting to restart the heater. If the safe device still switches the heater off and makes the heater fail to operate, take the heater to your nearest service center for examination or repair.

**Attention:** before restarting the heater, **the plug must be disconnected for at least 10 minutes**

# CLEANING

1. Always disconnect the appliance from the main supply before cleaning.
2. Clean the outside of the heater by wiping with a damp or dry cloth.
3. Do not use petroleum, any other detergent or chemical solvent to clean the heater.
4. When the heater is not used for a long time, it should be protected from dust and stored in a clean dry place.

# DISPOSAL

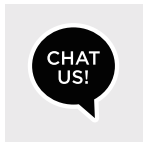


## Environmental Protection

Waste electrical production should not be disposed of with household waste. Please recycle where facilities exist. Check with your Local Authority or retailer for recycling advice.

# HELP CENTER

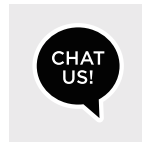
Question about your product? We're here to help. Visit us at:



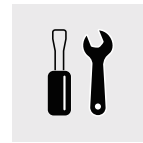
Chat Support



Product inquiry



Orders FAQ



Product Assembly



Returns & Refunds

## WE STANDS BEHIND THE QUALITY OF THEIR FURNITURE

1. If you have any issues with your item please let us know! We will always do our best to come up with a solution that you will be happy with.
2. Please get in fouch with our cuslomer service feam before returning the product.
- 3.And pls do not throw the original box(es) if you have not finished assembling or confirmed no quolity issues.

Length of return period:

Items can be returned within 30 daws ol purchase.

In the meanwhile, everything you purchased from us comes with a one-year warranty.

Who is responsible for the refurn shipping fee:

We will cover the return shipping fees if:

- 1 .Your item has a manulacluring delect in its materials or workmanship. For example, torn wicker or misaligned screw holes. We will send you a prepaid shipping label aller pholosore sent.
- 2.Your item has been damaged in fransit.For example, glass is broken or wicker is damaged. We will send you a prepaid shipping label after pholos are sent.
- 3.You receive the wrong box(es) due lo a warehouse error. We will send you a prepaid shipping label alter pholos are sent of the wrong SkU numbers on the outer box(es).
4. One or more boxes are lost in fransit.We will send you a prepaid hipping label if you nolonger want the item.

\* However, we still hope to work with you for a beter solution instead of a return.  
Please don'thesitale to contact our customer service feam

# HELP CENTER

Customer will cover the return shipping fees if:

1. You don't like the product(s) after receiving the box(es).
2. You no longer need the product(s) but you have received the box(es)
3. You buy the product(s) by mistake but you have received the box(es).
4. Order/shipment cancellation failed and you have received the box(es)

## Return Request

In order to get a full refund as described in this return policy, all items must be: (1) in a brand new/unused condition, please provide photos before and after packaging. (2) When returning, all accessories and parts are firmly packed in all original packaging. If your return does not meet the requirements, you may not get a full refund.

## When will I be refunded?

The refund is released once the goods have been returned to our warehouse. What if the product is damaged/defective outside of the valid return period? We want you to be a happy customer. Please reach out to us by email and we will come up with a solution to make sure you are satisfied.

# AFTER-SALE SERVICE

Please feel free to **send us the text**. We will reply to you within 24 hours. Also please feel free to contact us if you have received the defective items.