

# Dining Table Installation Instruction



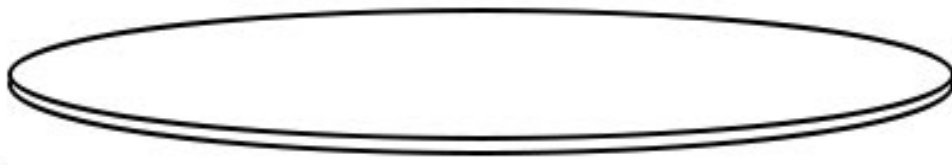
# Important Preparation Notes

1. Carefully read through this entire instruction manual before starting assembly.
2. This product is shipped in 3 separate packages. Please count the packages upon receipt.
3. Check the outer boxes for damage.  
If no visible damage, open and verify all parts are included and undamaged (refer to the parts list).

## Safety Installation Precautions

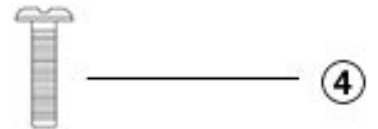
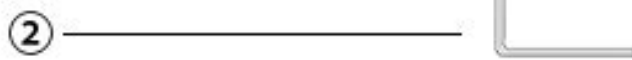
1. Two people are strongly recommended for assembly.
2. When installing multiple screws: first insert all screws loosely, then tighten them gradually and evenly. Never fully tighten one screw at a time.
3. Do not over-tighten screws to avoid damaging threads or wood.

# Installation Components

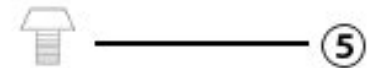


①

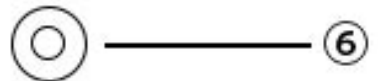
Tabletop



④



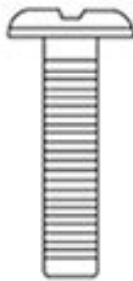
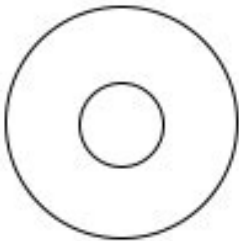


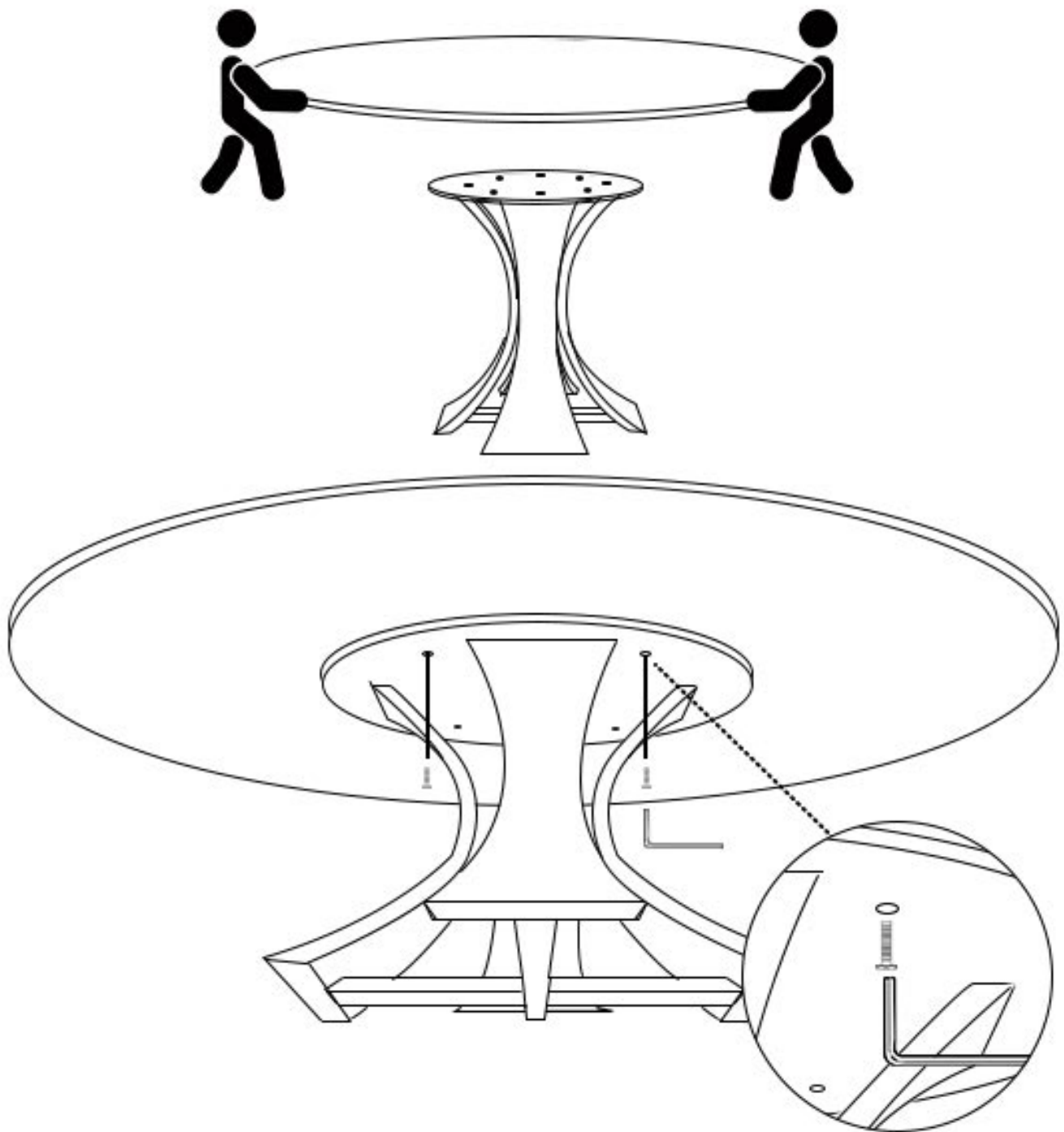
⑤



⑥

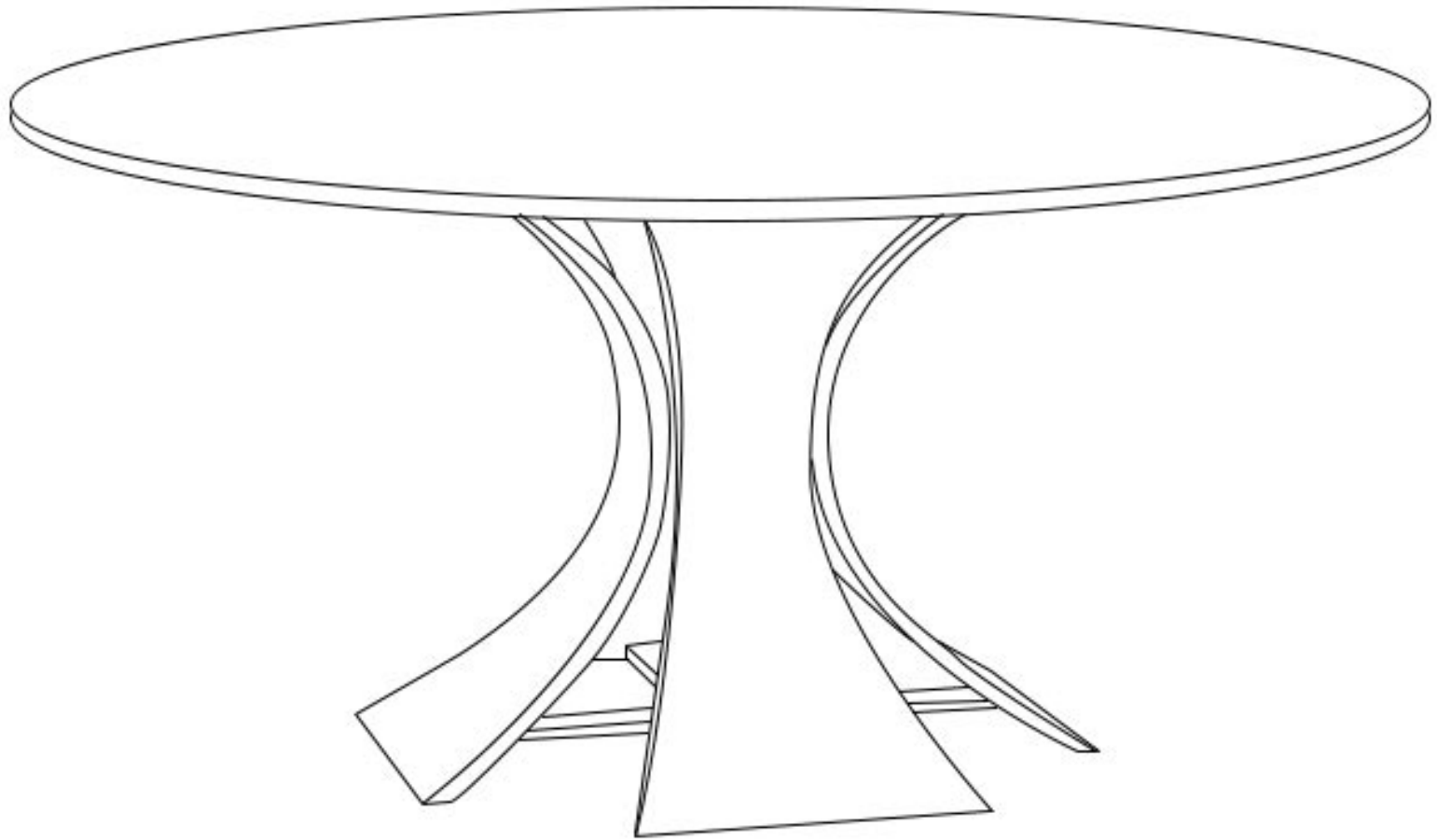
base

 ② screwdriver	 ⑤ screws	 ④ adjusting screws	 ⑥ screw washers
× 1	× 9	× 10	× 10



## Step 1: Mount the Tabletop

**With two people, carefully lift the tabletop.  
Gently place the tabletop onto the assembled base.  
Slightly rotate the tabletop if needed to align the pre-drilled holes on the underside with the holes on the base.  
Insert all tabletop fixing screws loosely.  
When all holes are perfectly aligned, tighten all screws gradually and evenly.**



## **Step 2: Final Check**

**Double-check that every screw is properly tightened. Gently shake the table to ensure stability-no wobbling or unusual noise.**

**Assembly complete!**