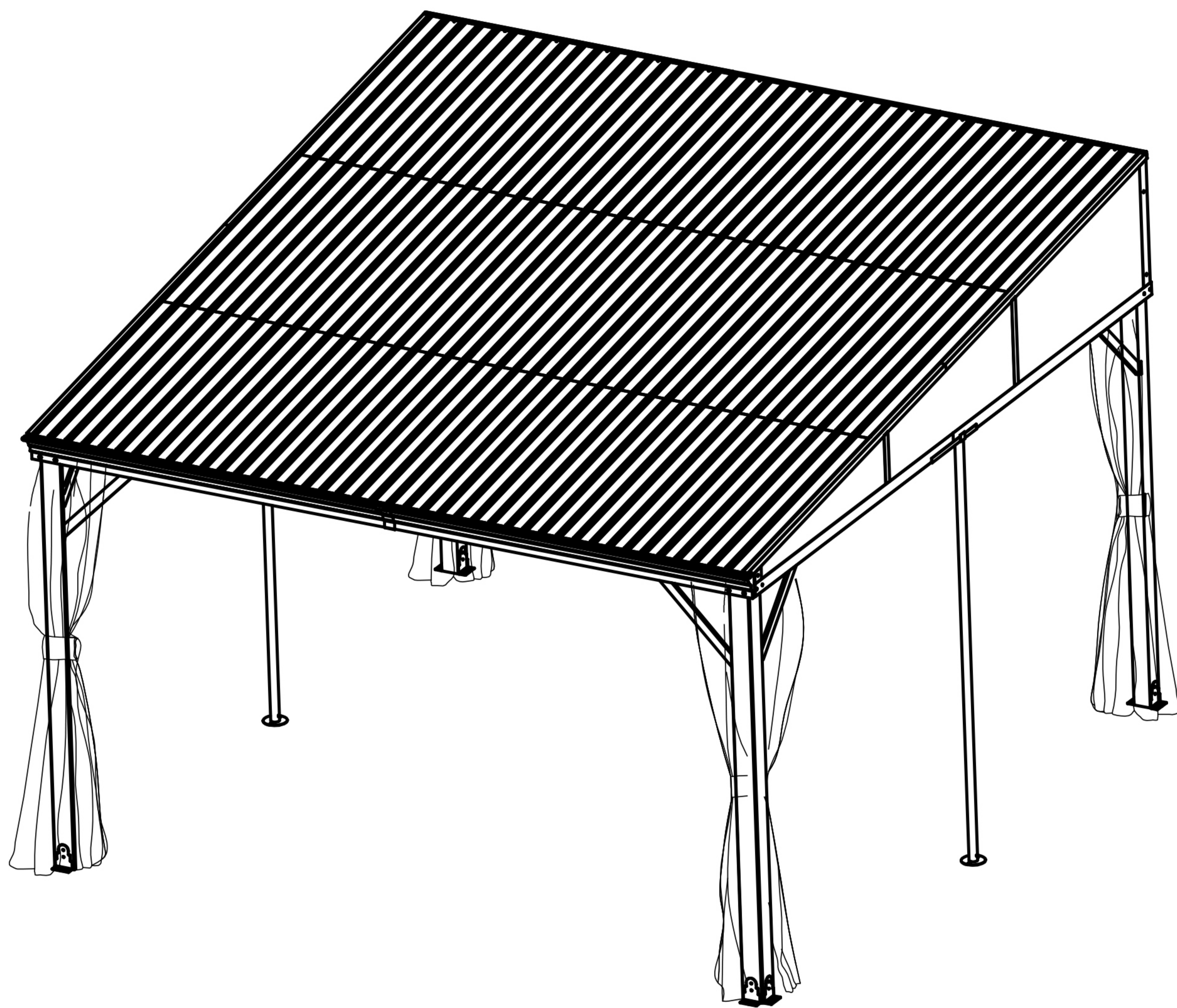


Wall Mounted Wood
Gazebo With PC Roof 10X12FT

SKU:B001G084-1
B001G084-2
B001G084-3

ASSEMBLY INSTRUCTIONS



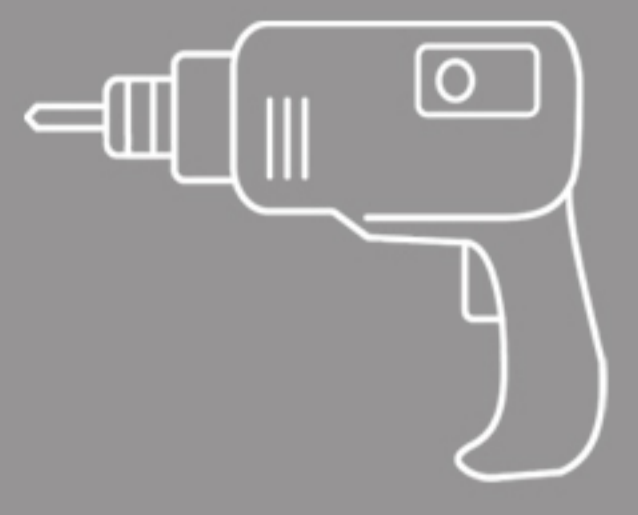
Please check the number of parts in the following accessory catalogue when unpacking. We have sent you more small parts for spare. If there is any missing or any questions about the installation. Please feel free to contact us. We will reply within 24 hours.



E-mail: cs.helper01@gmail.com

TOOLS RECOMMENDED

*NOTE: The recommended tools are not included in boxes and need to be prepared by yourself.



DRILL



RUBBER Mallet



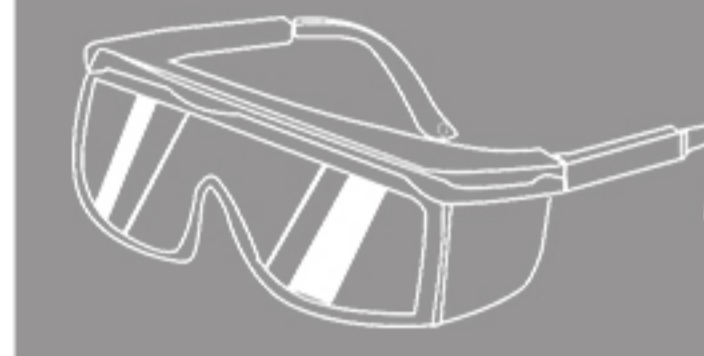
STEPLADDER
(6.5Ft Or More)



SAFETY HAT



GLOVES



SAFETY GOGGLES

ATTENTIONS



Since it is easy to lose many small accessories during the installation, please collect all the screw accessories before the assembly is completed



To better align the screws for practical situations, do not fully tighten screws initially



Please reinforced the Gazebo and do not use in heavy winds or inclement weather



Make sure all screws are tightened before use and check all screws, buckles and straps every 90 days



Two or more people are required for assembly



Please clear the snow off the roof in time for the heavy snowfall and do not use it



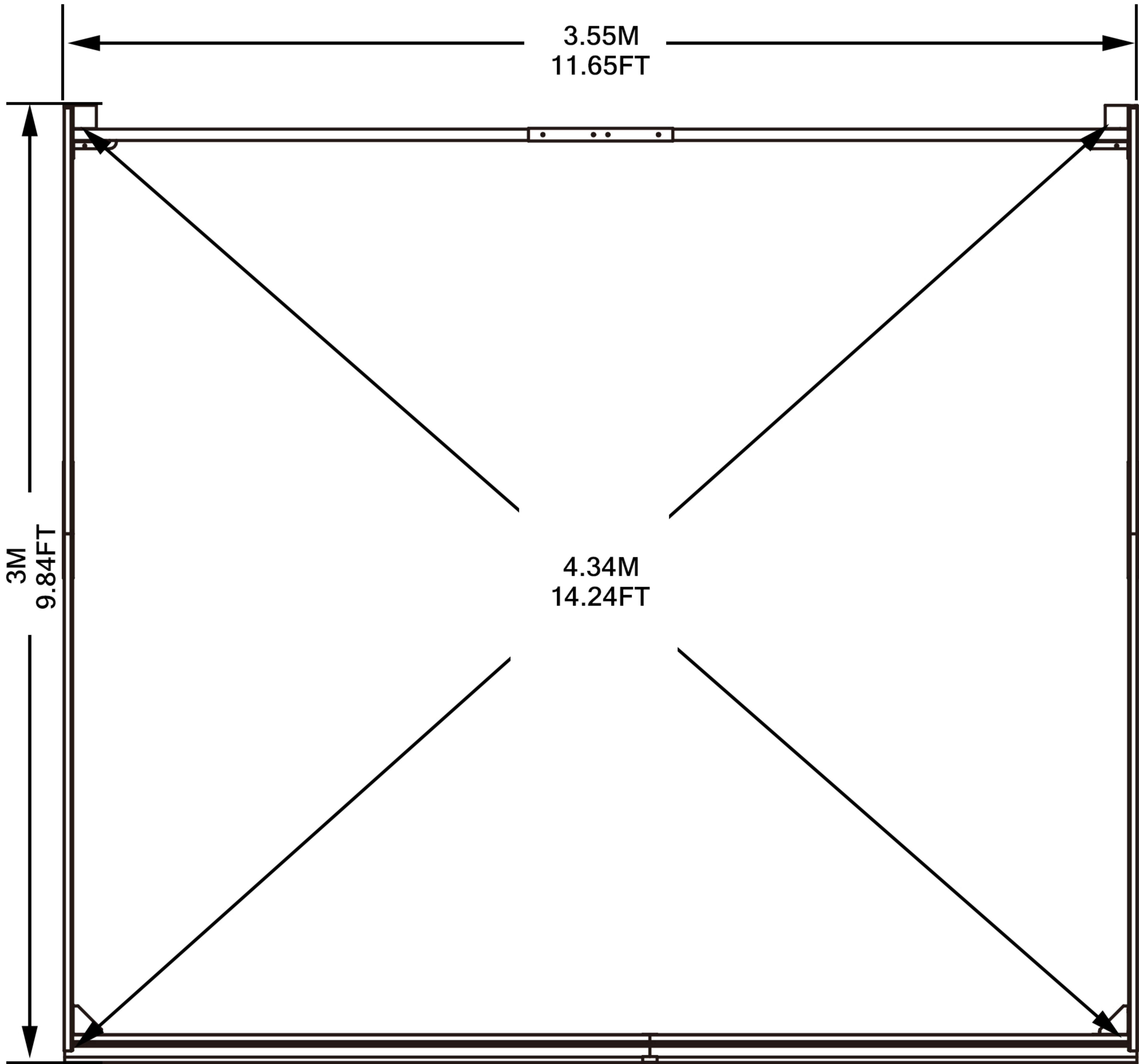
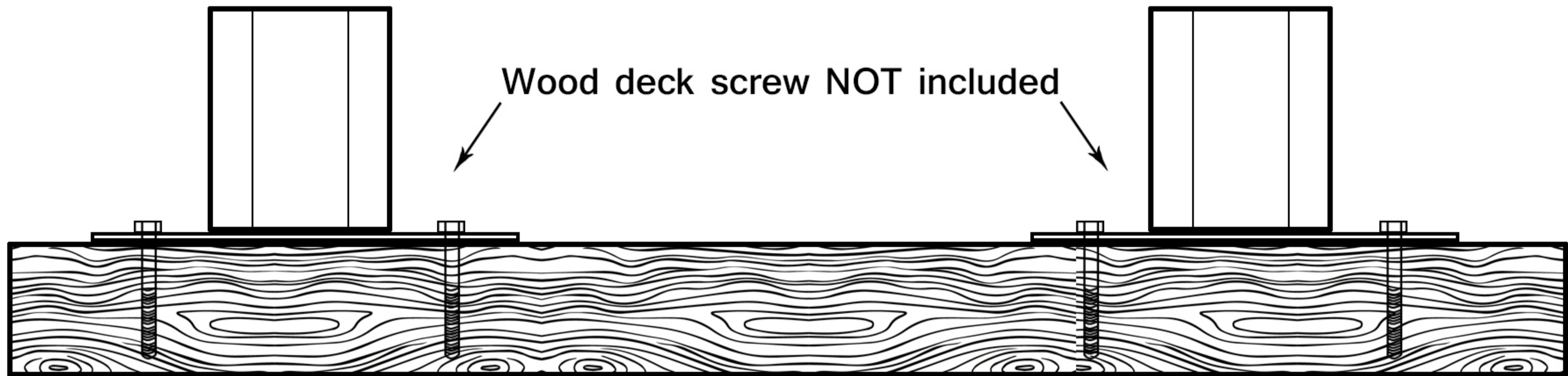
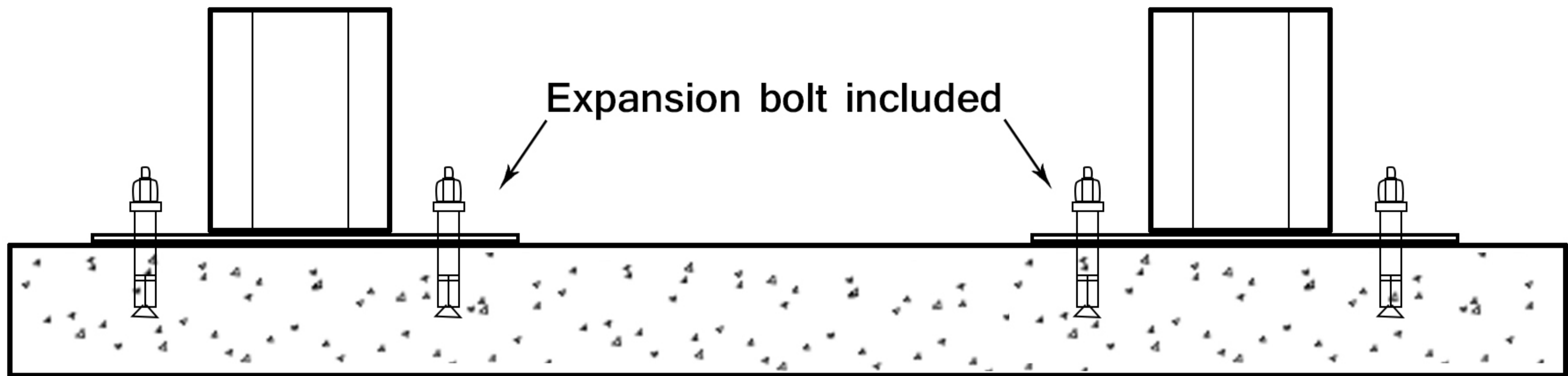
Keep all parts! For missing parts or installation issues, contact us.



E-mail: cs.helper01@gmail.com

Permanent Installation Examples

Our supporting expansion screws can only be used for cement floors, customers need to bring their own special screws if they are used for wood floors

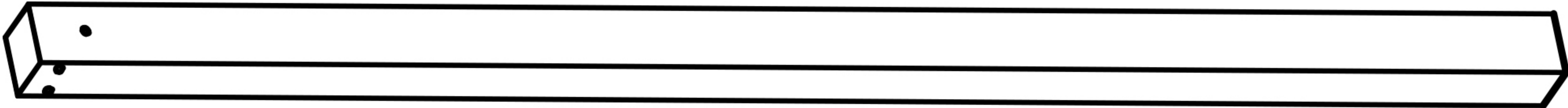
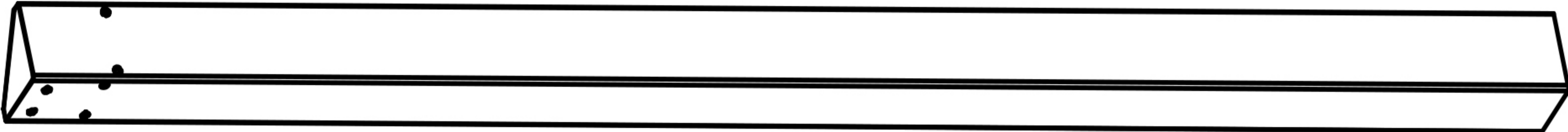



! Keep all parts! For missing parts or installation issues, contact us.

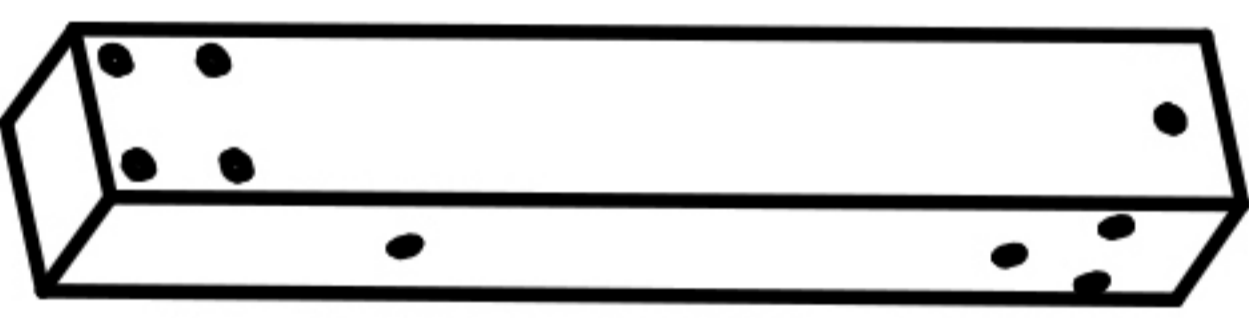
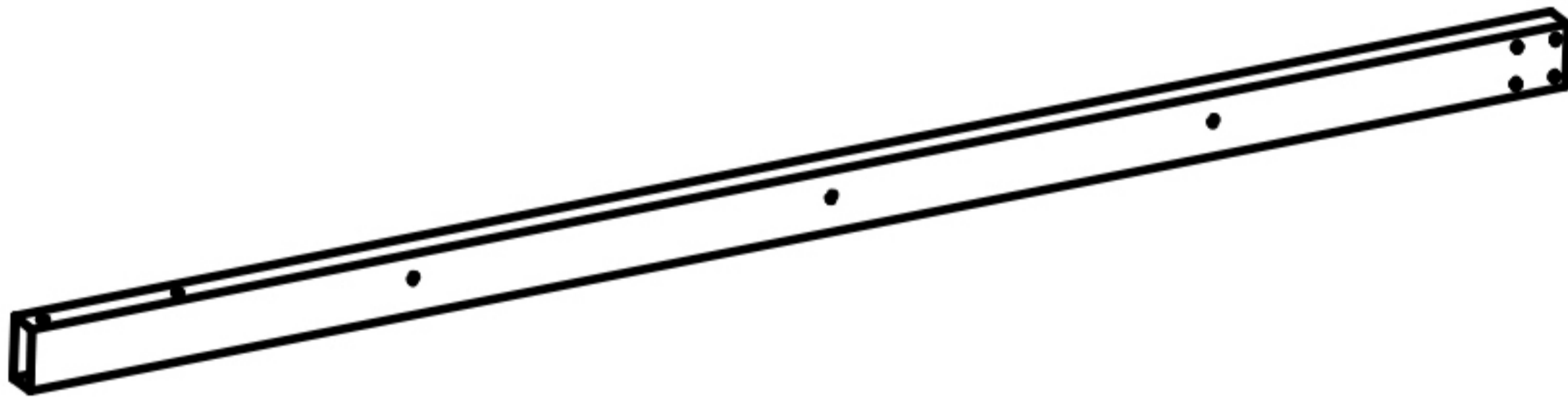
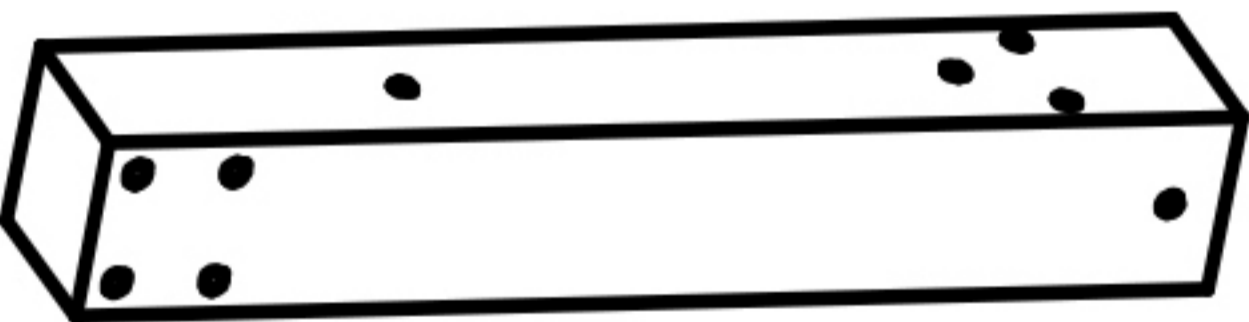
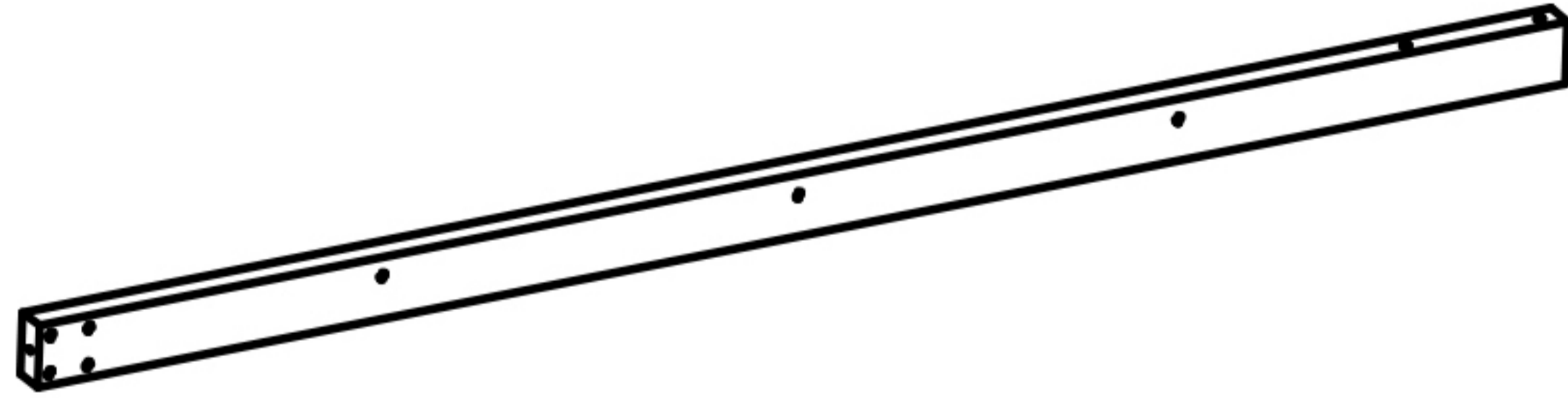
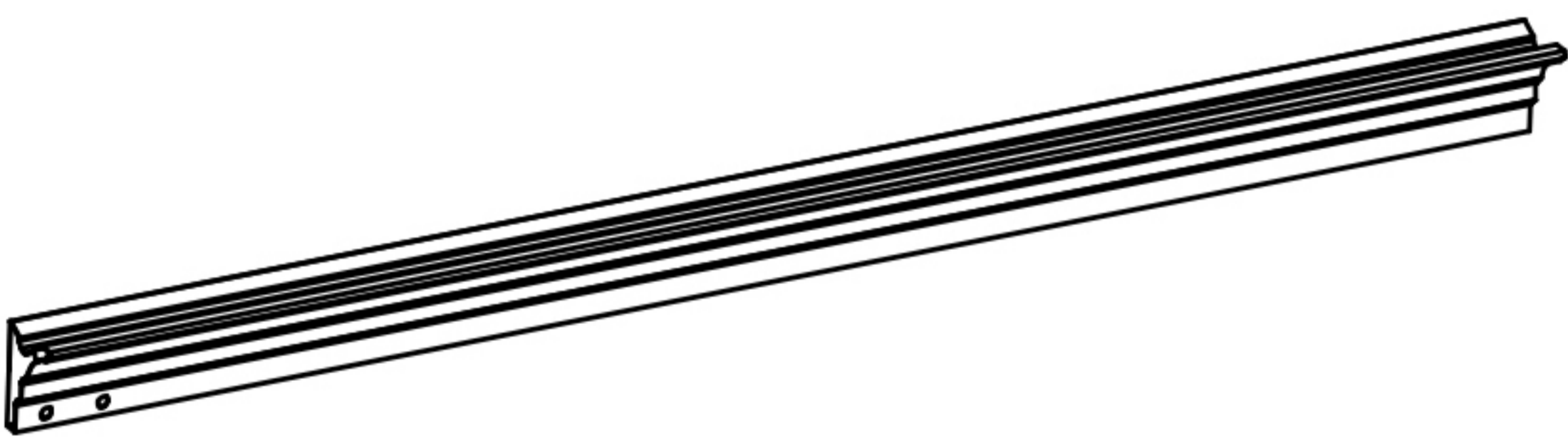
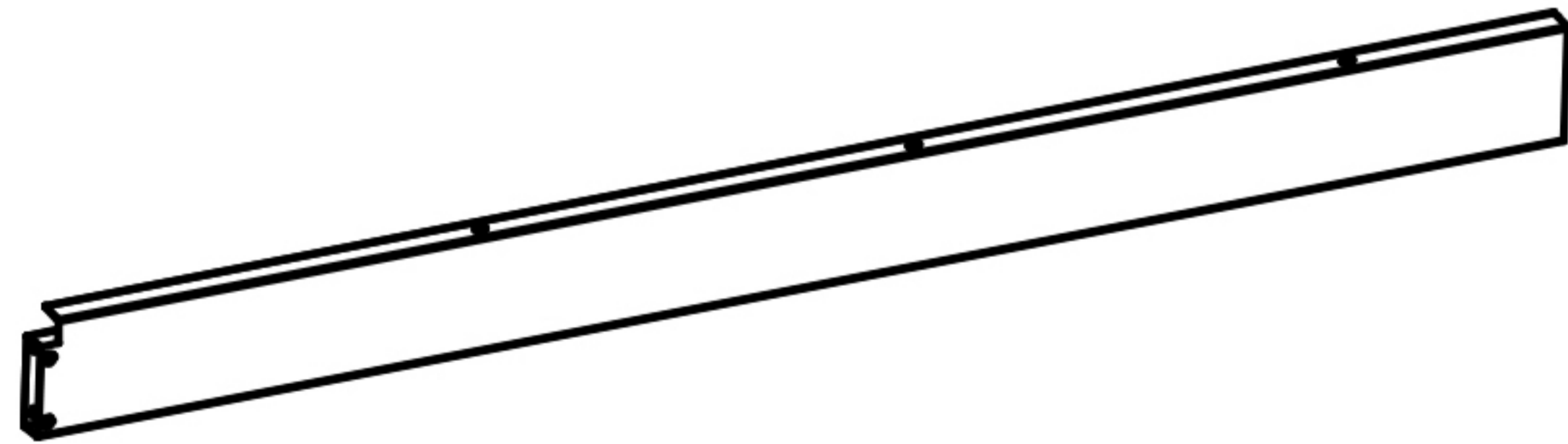
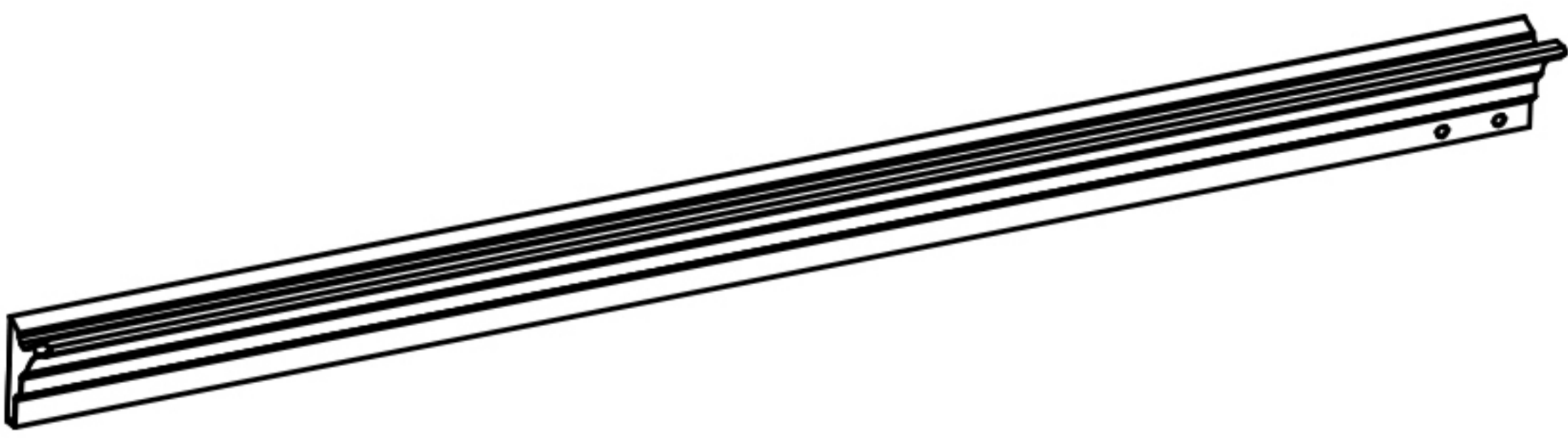
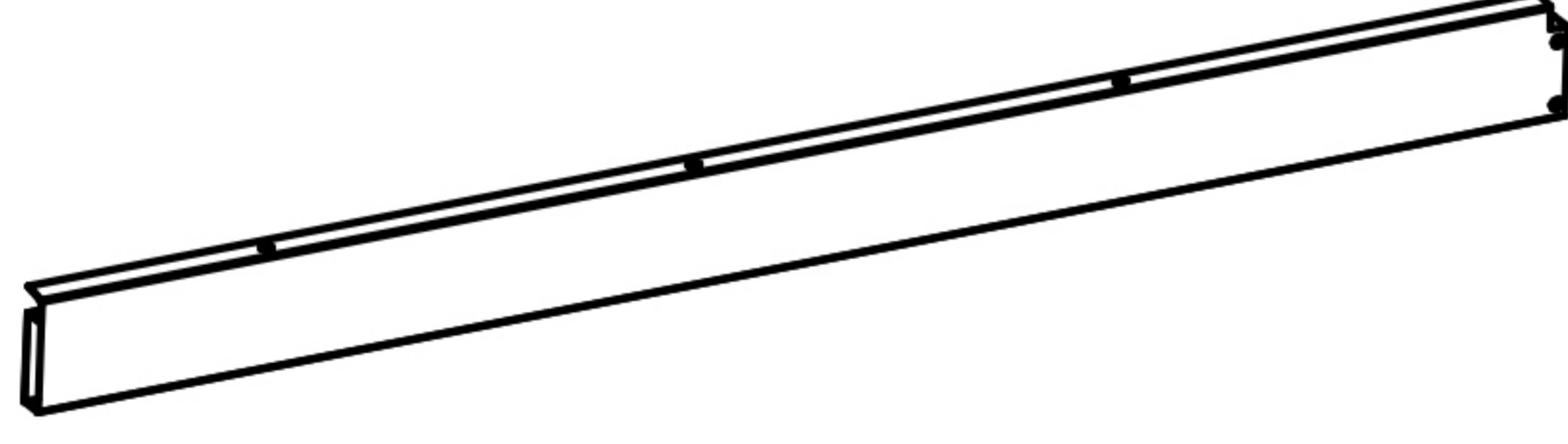
➔ ✉ E-mail: cs.helper01@gmail.com

ACCESSORY CATALOGUE

BOX 1 SKU:B001G084-1

Item no.	Reference Image	Qty.
A1		2
A4		1
A5		1

BOX 2 SKU:B001G084-2

Item no.	Reference Image	Qty.	Item no.	Reference Image	Qty.
A2		1	B2		1
A3		1	B3		1
B		1	C		2
B1		1	C1		2

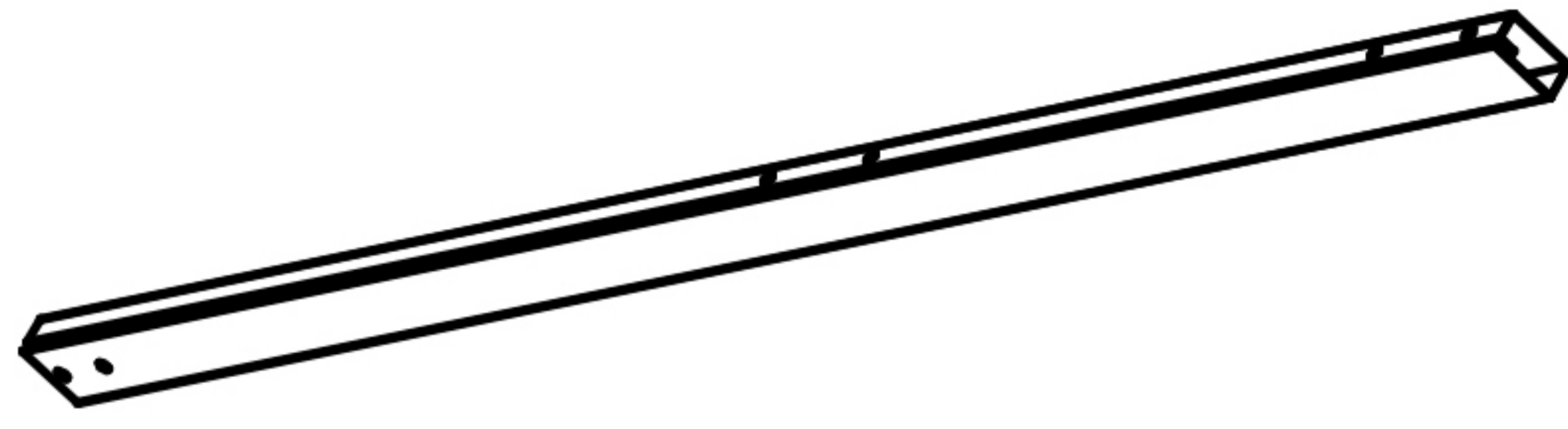
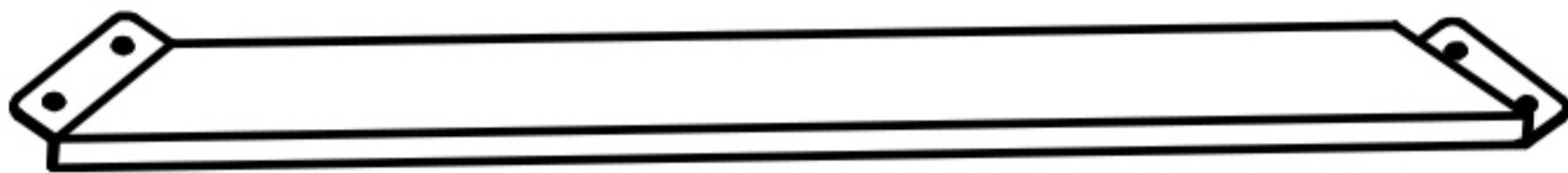
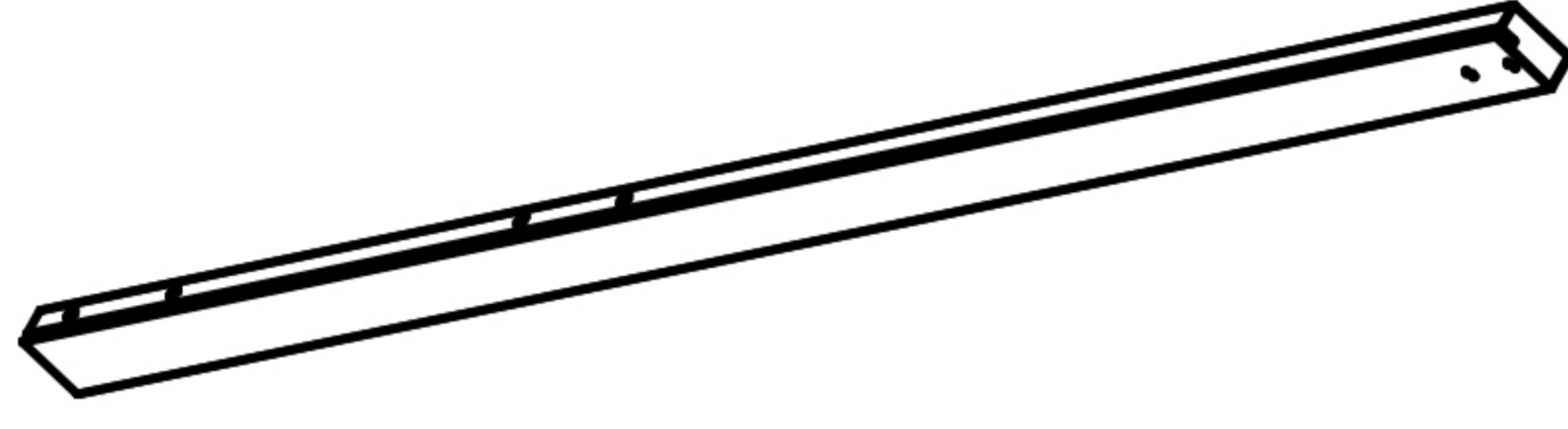
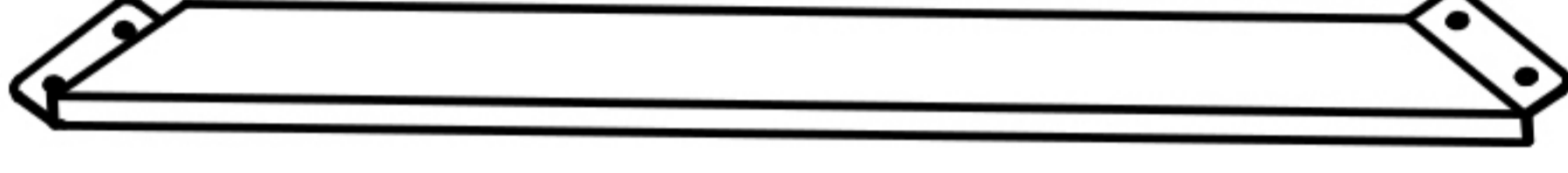
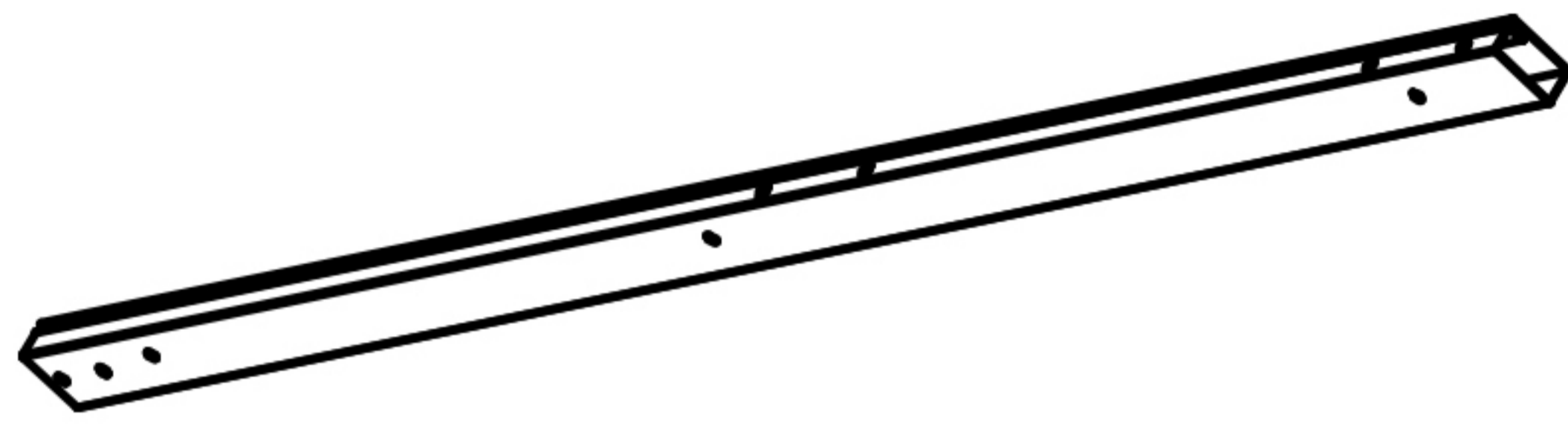
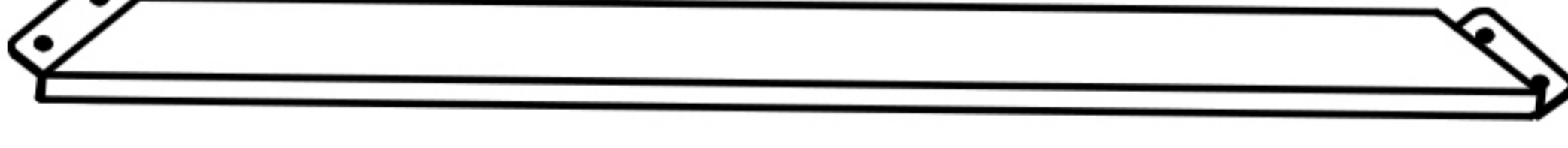
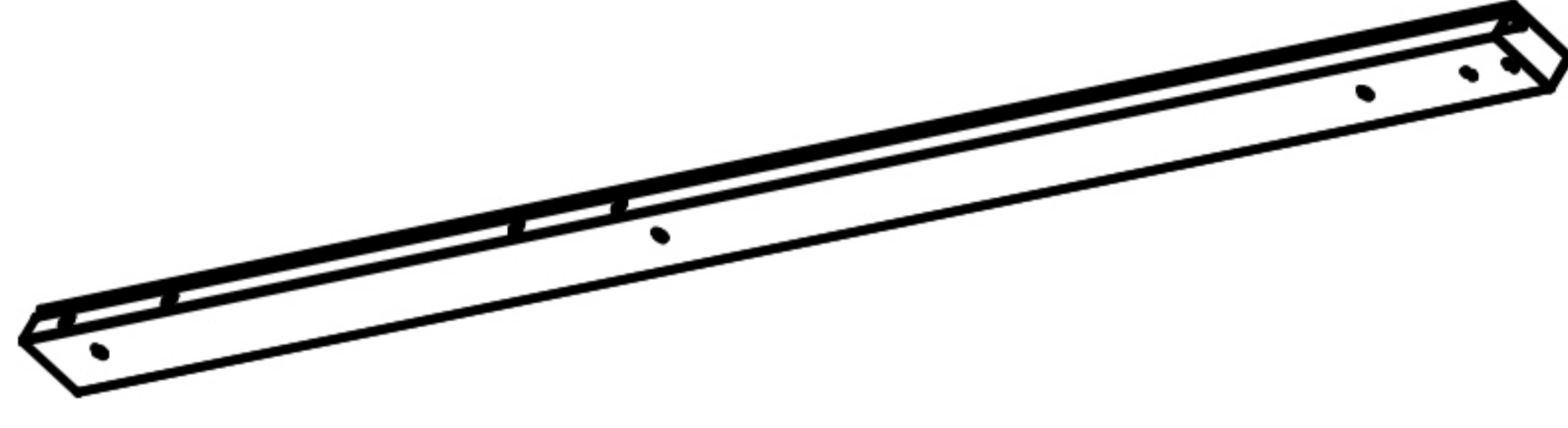
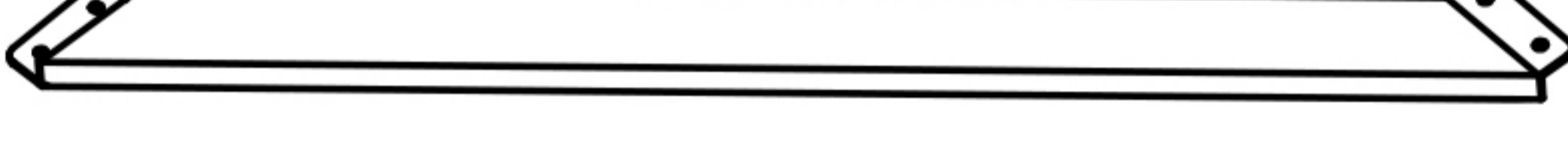
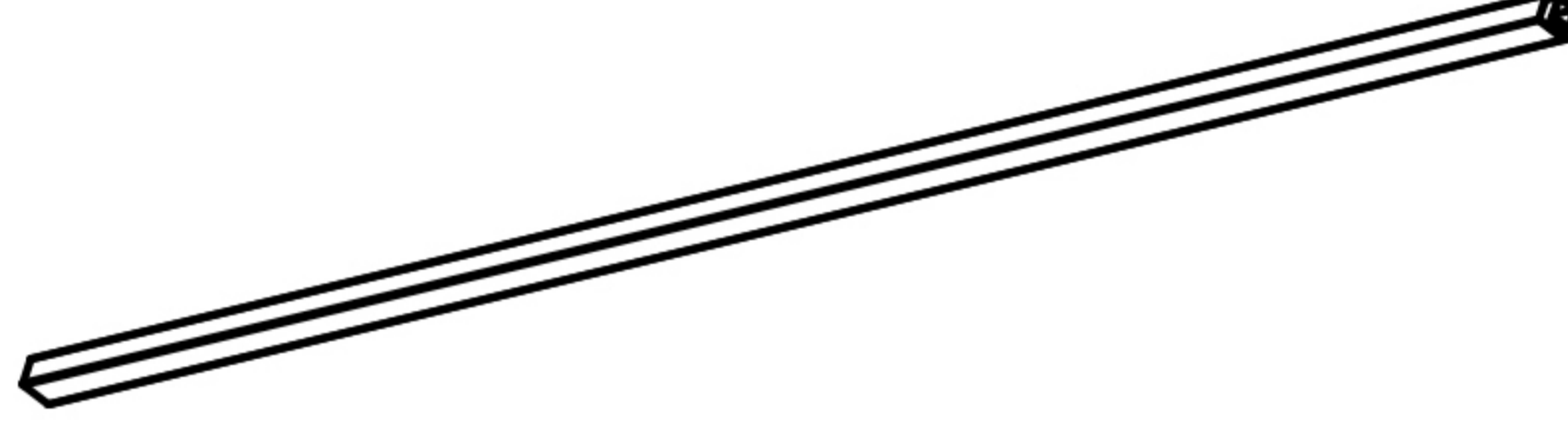
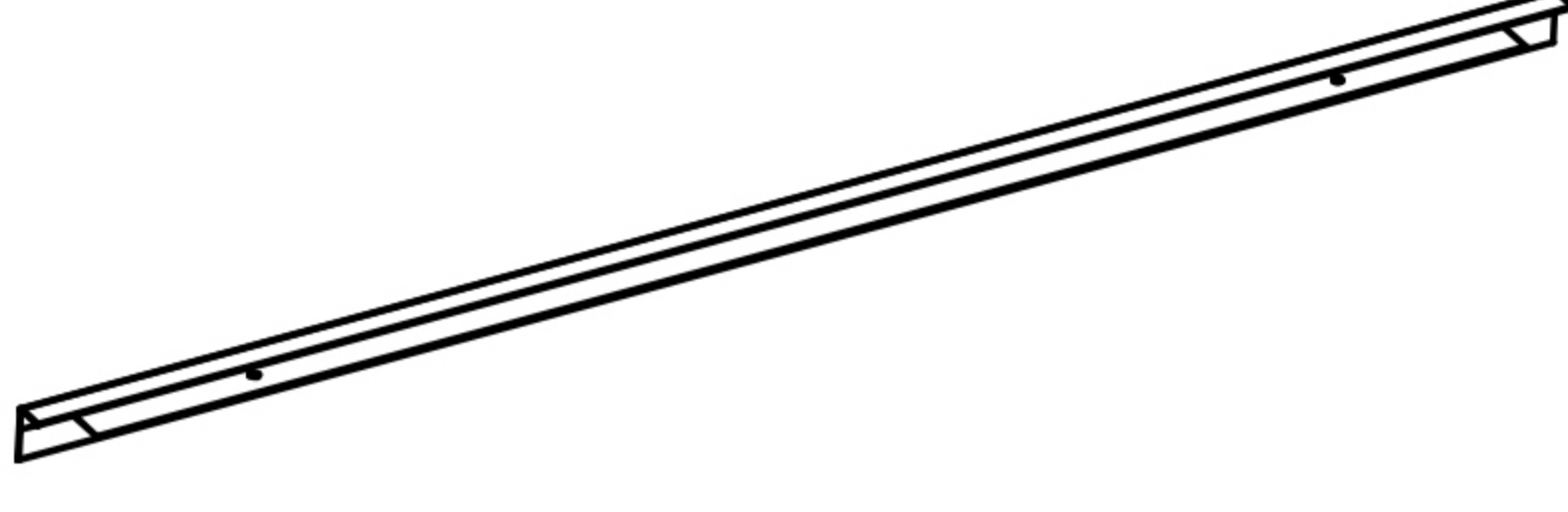
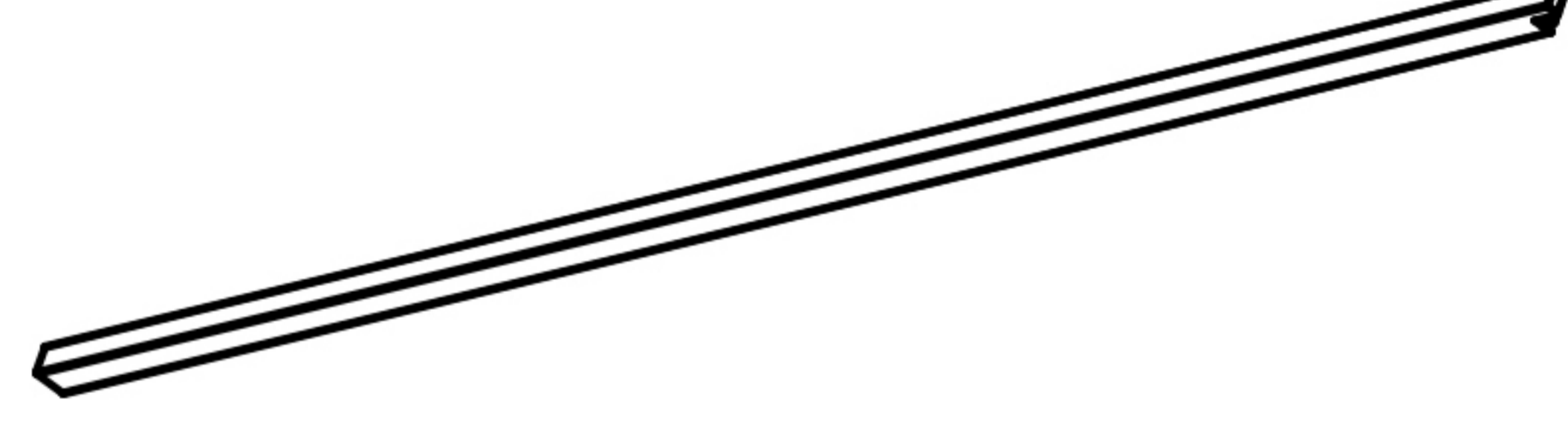
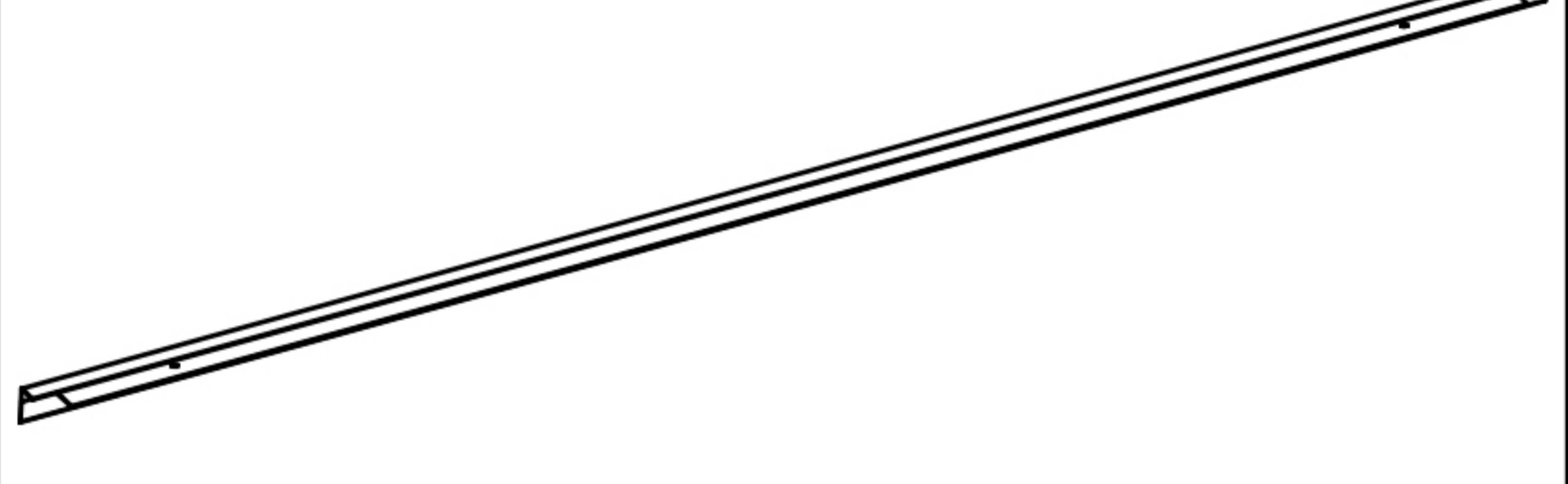
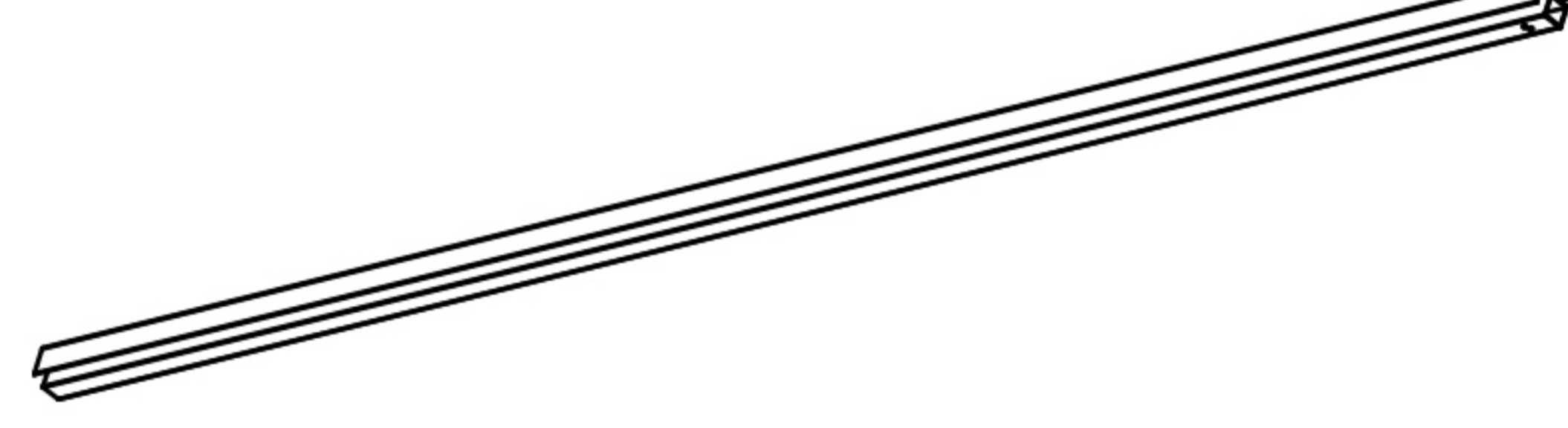
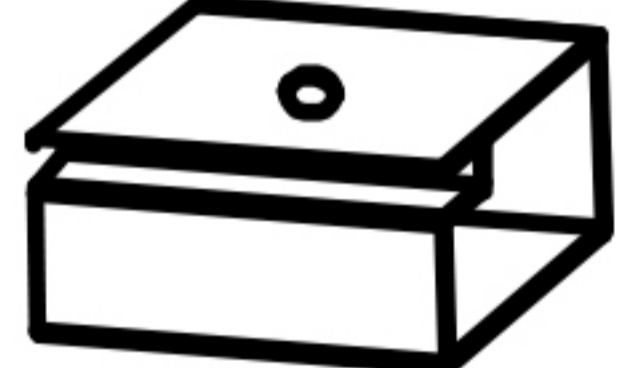
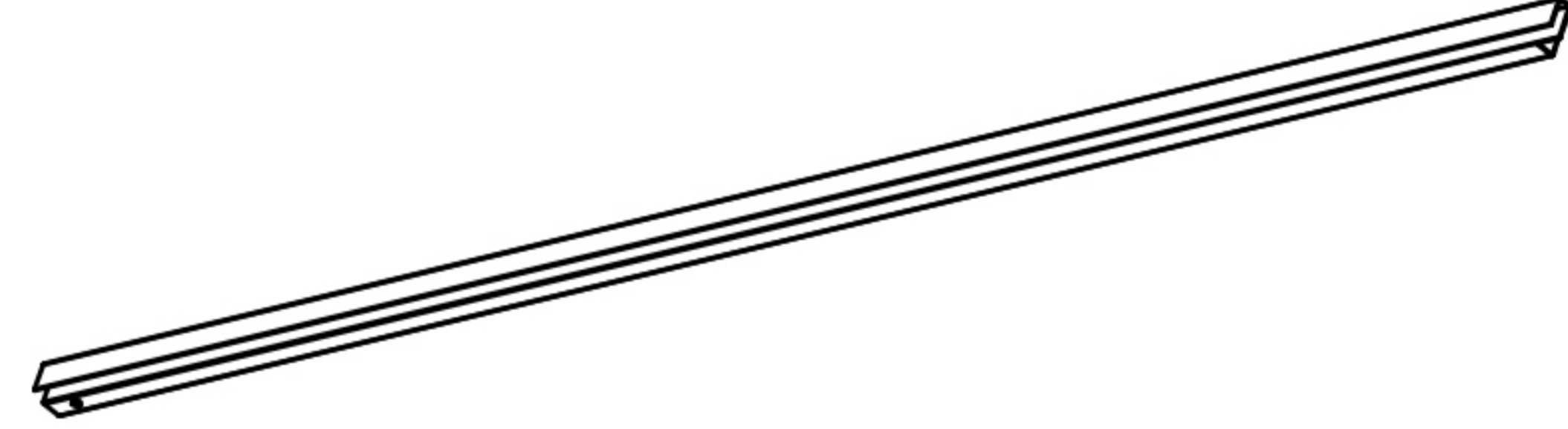
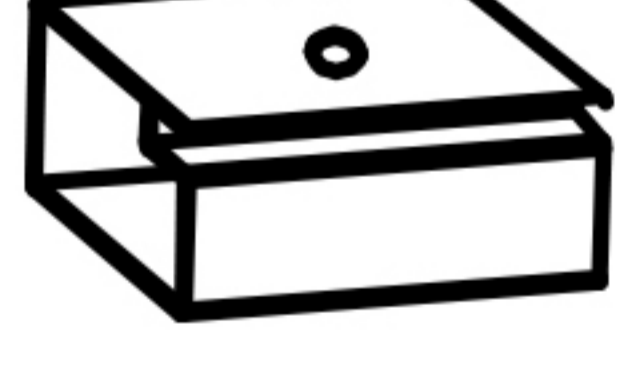
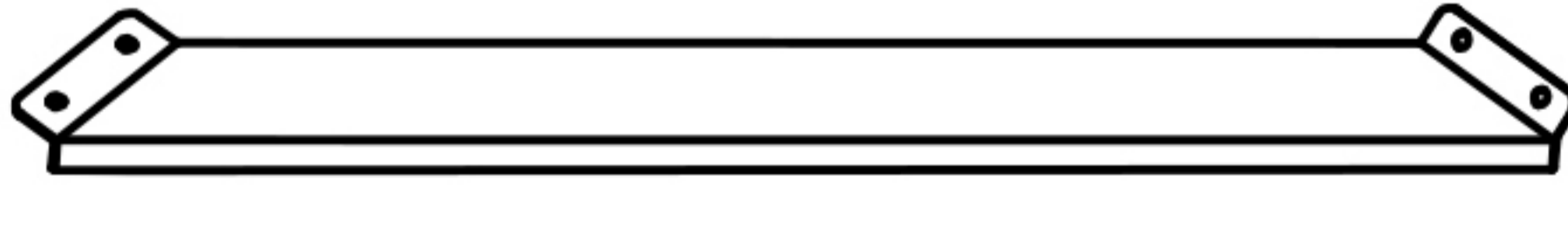
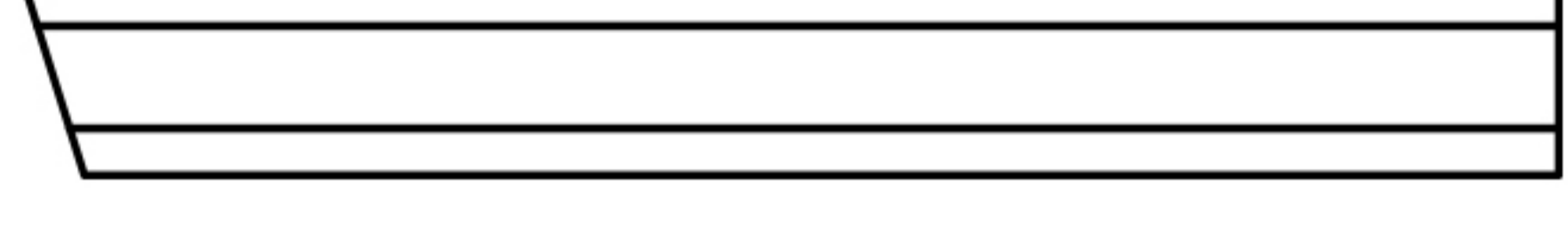
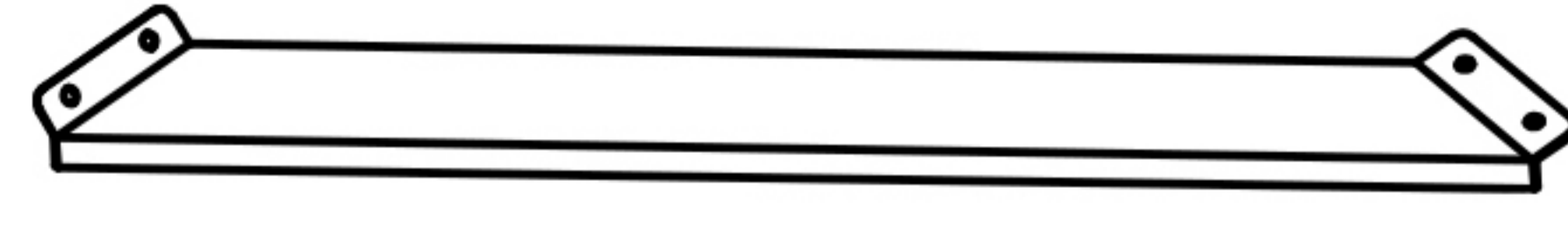
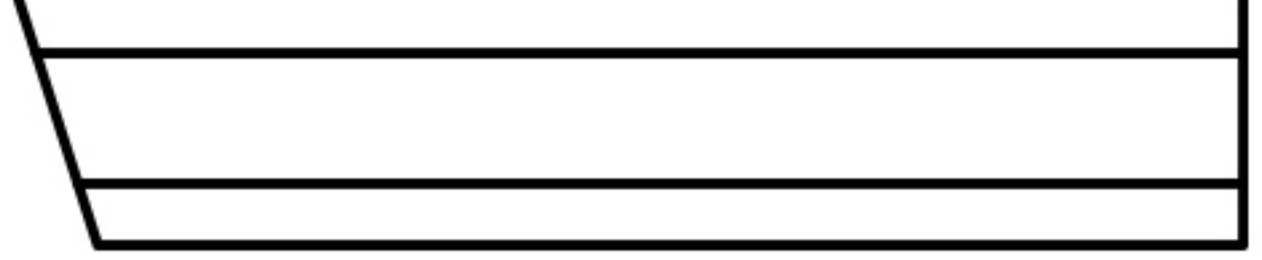


Keep all parts! For missing parts or installation issues, contact us.



E-mail: cs.helper01@gmail.com

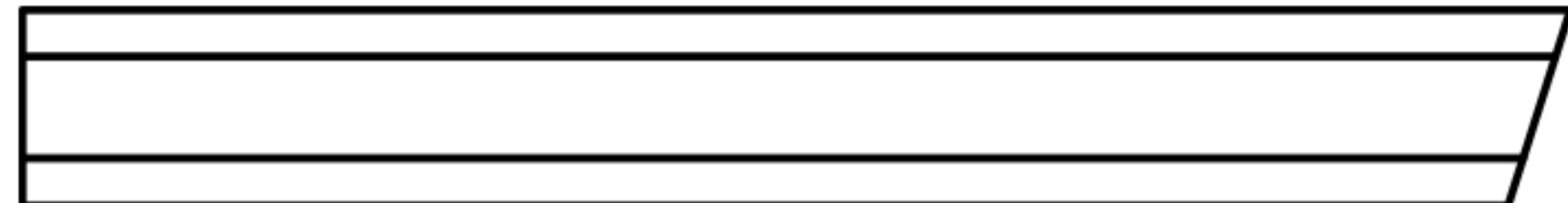
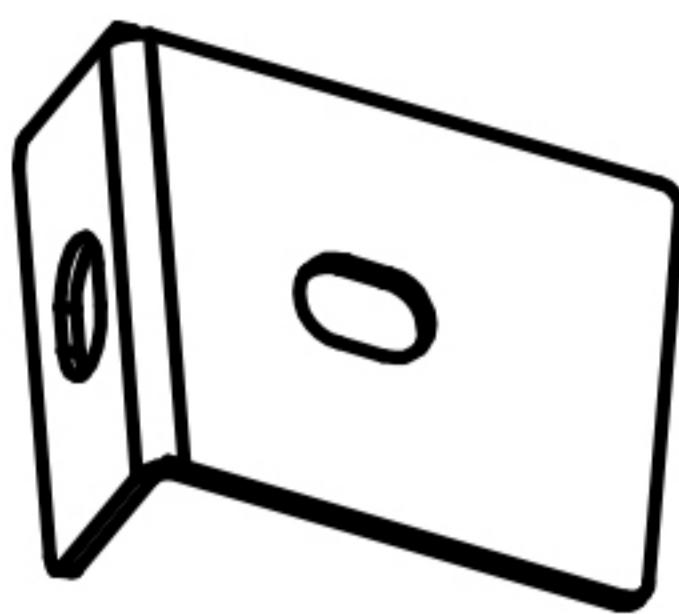
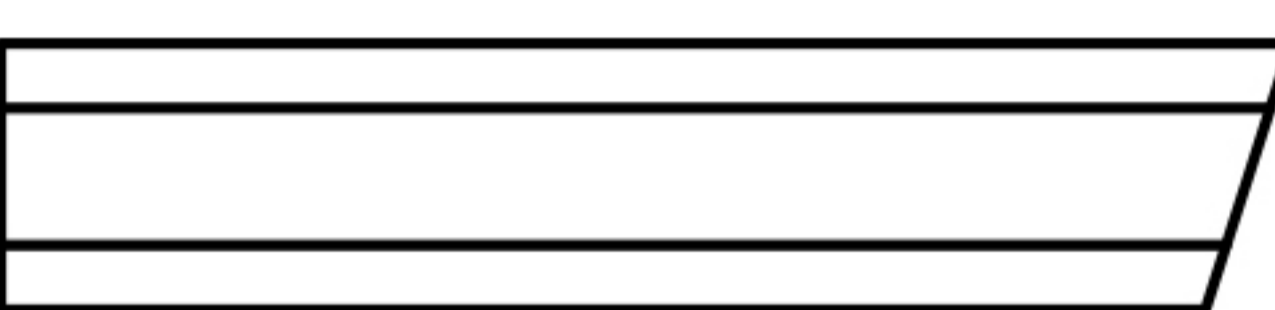
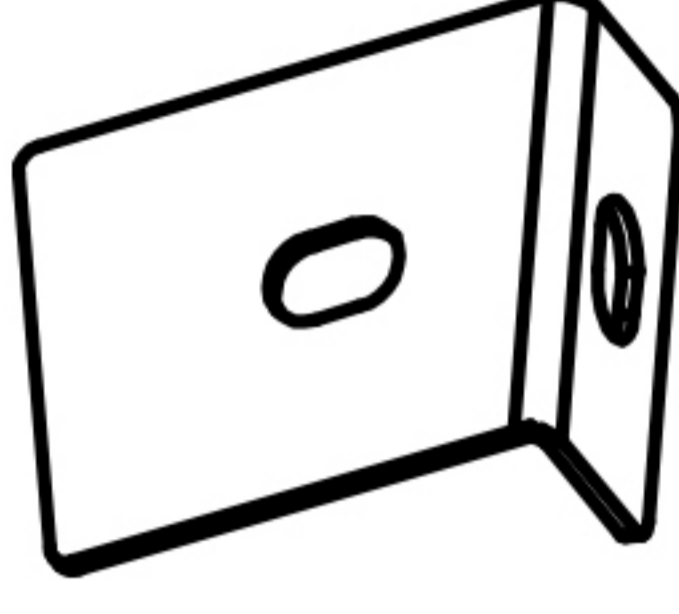
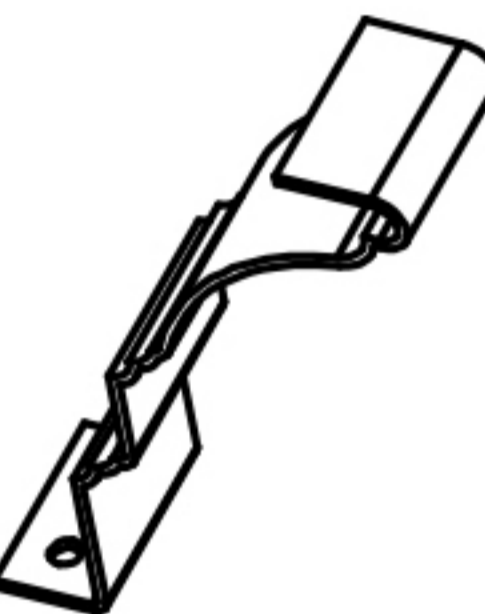
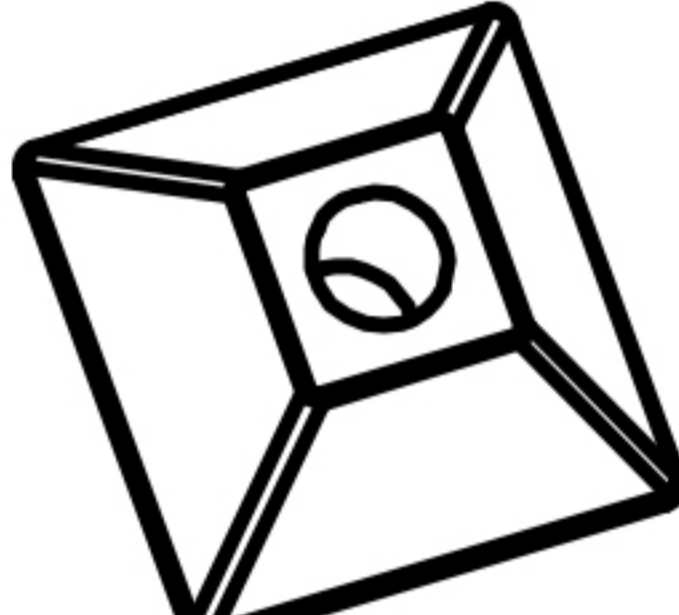
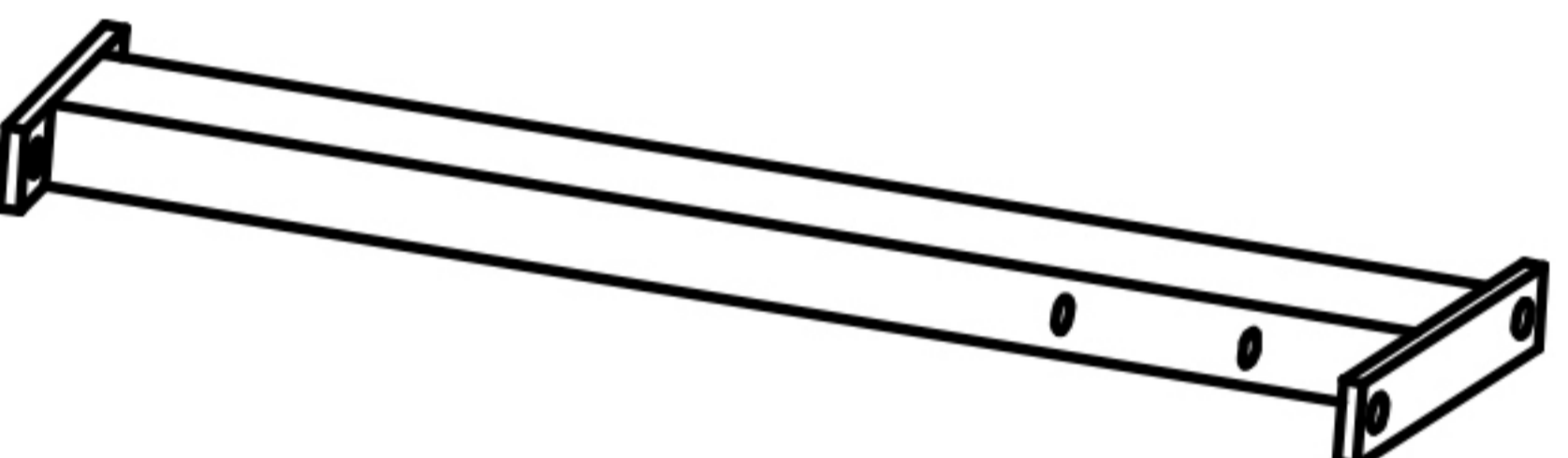
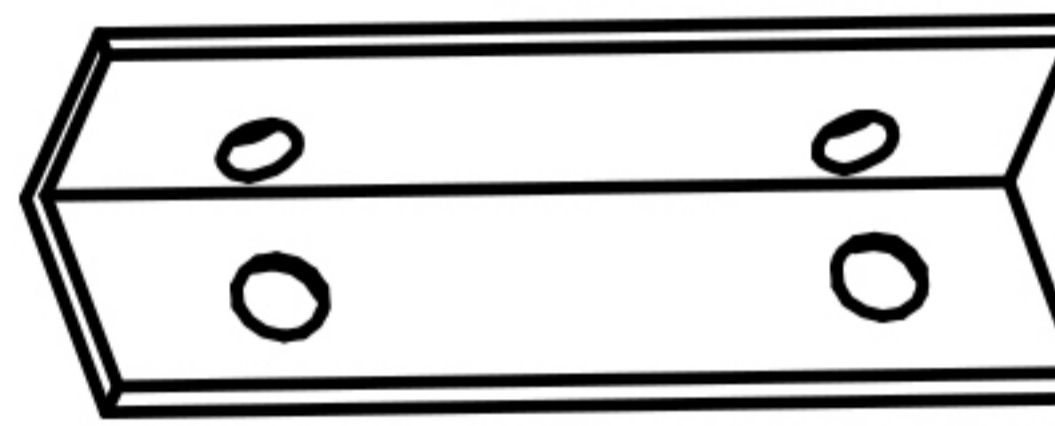
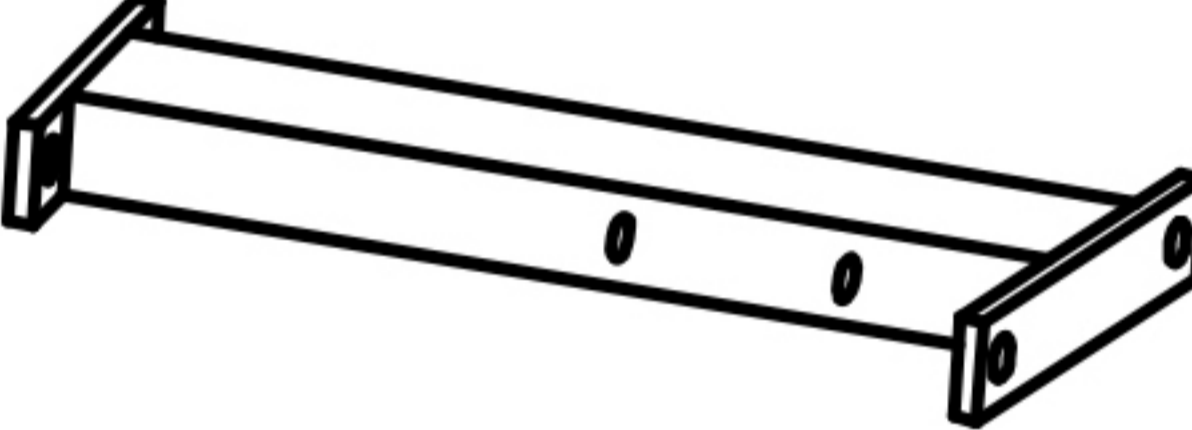
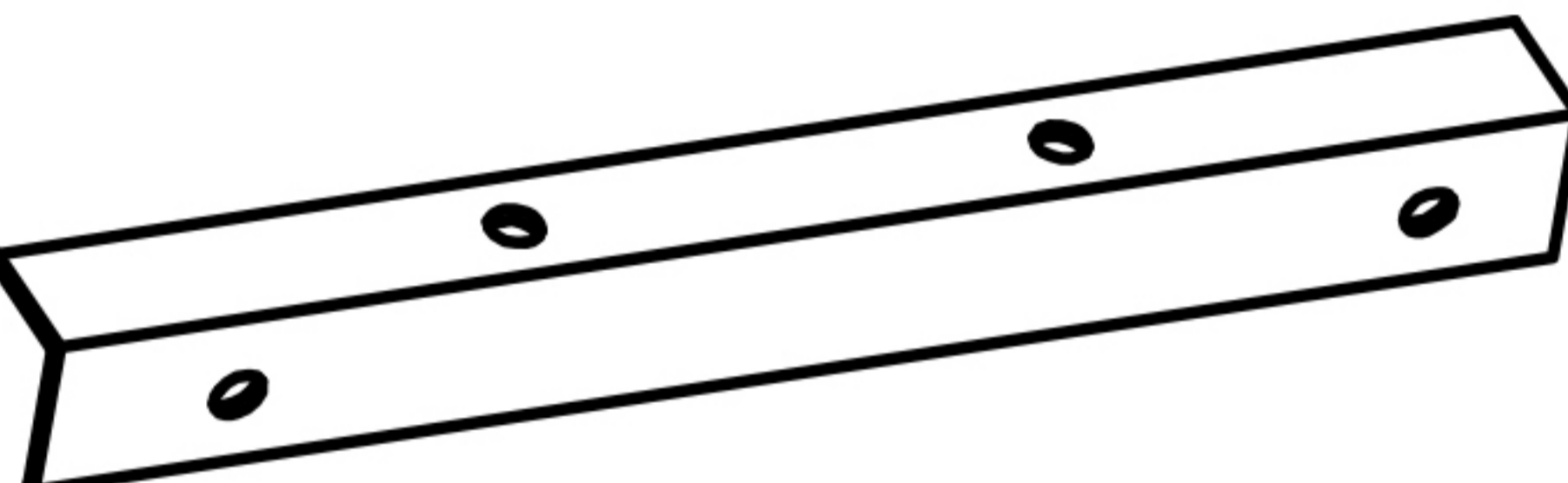
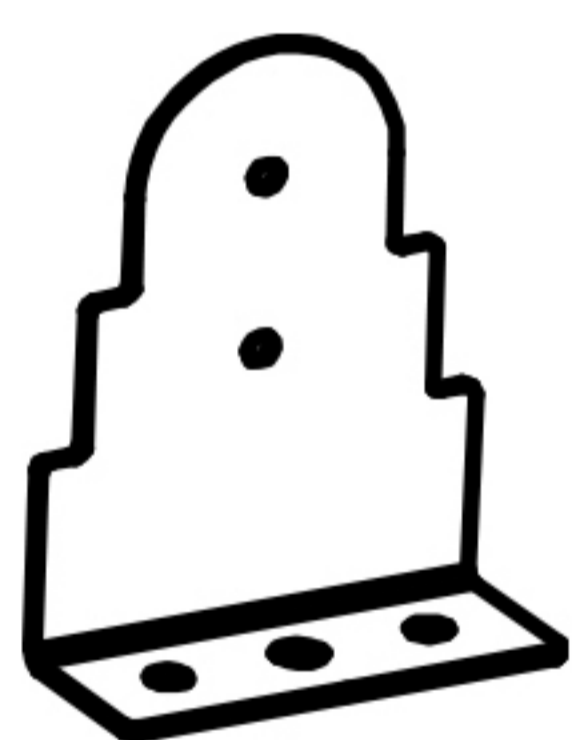
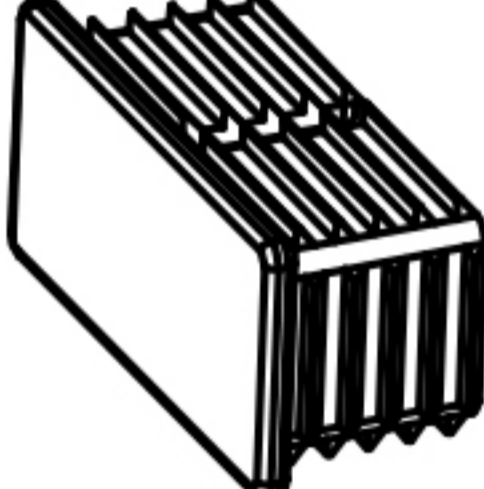
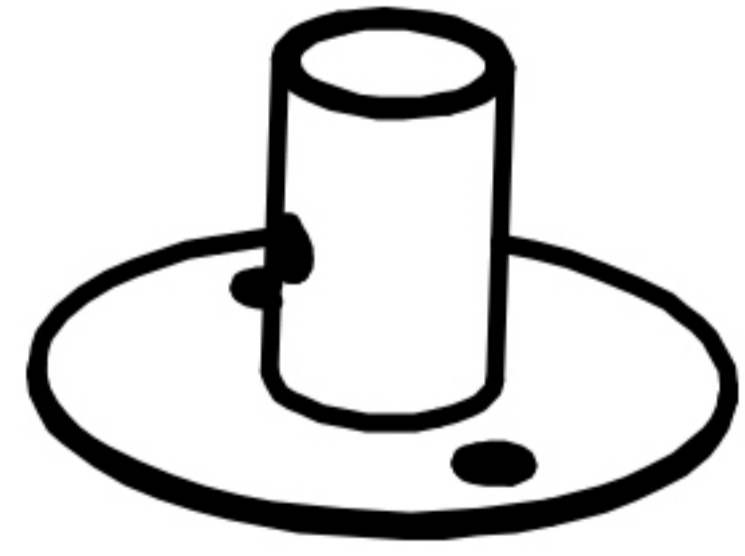
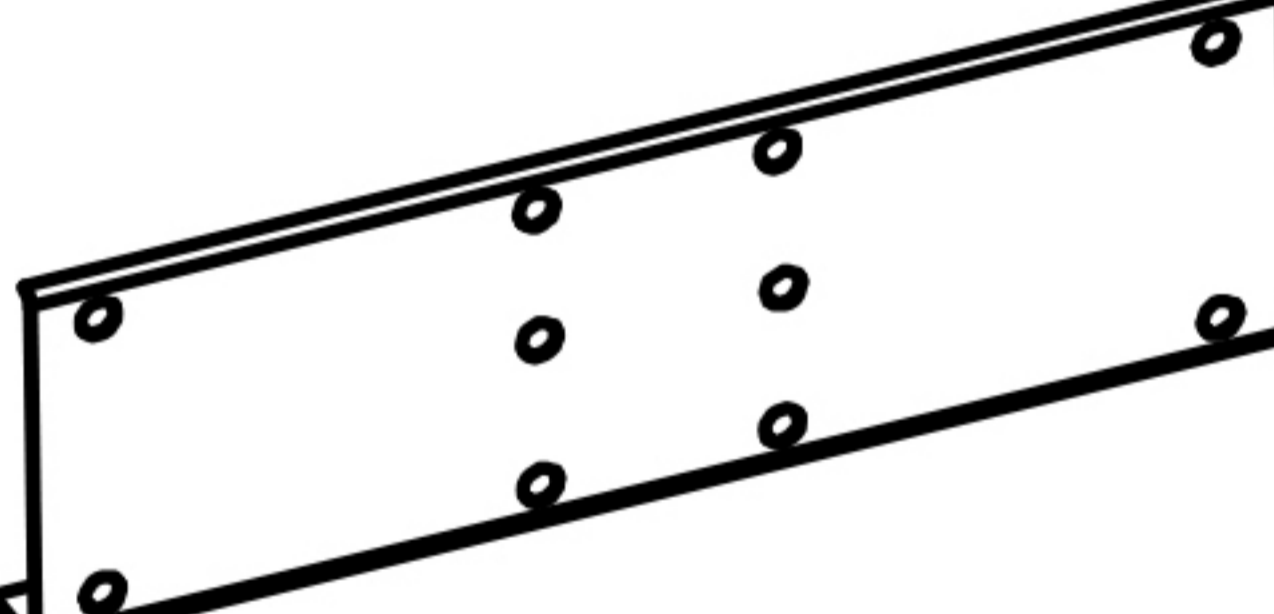
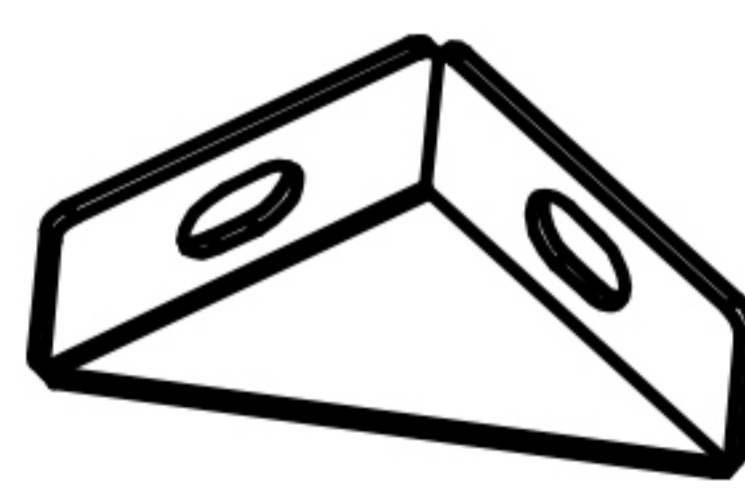
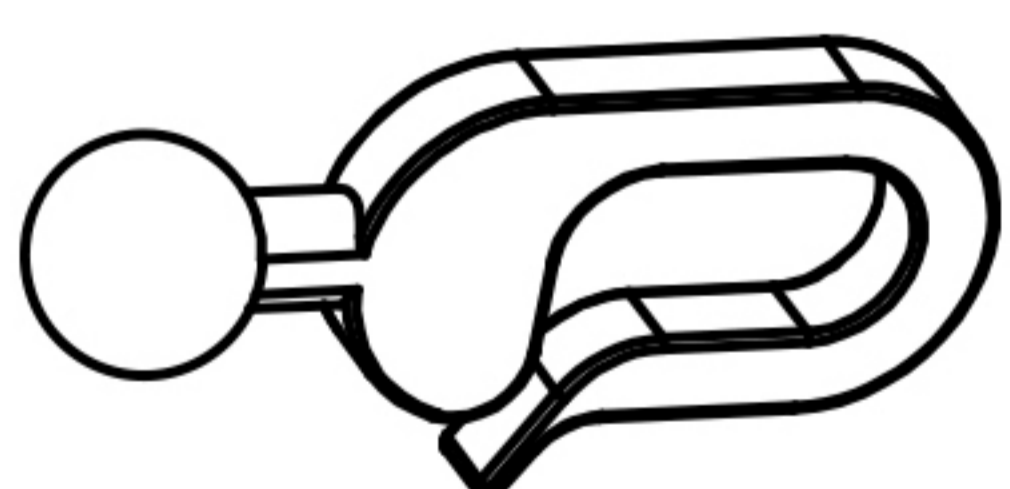
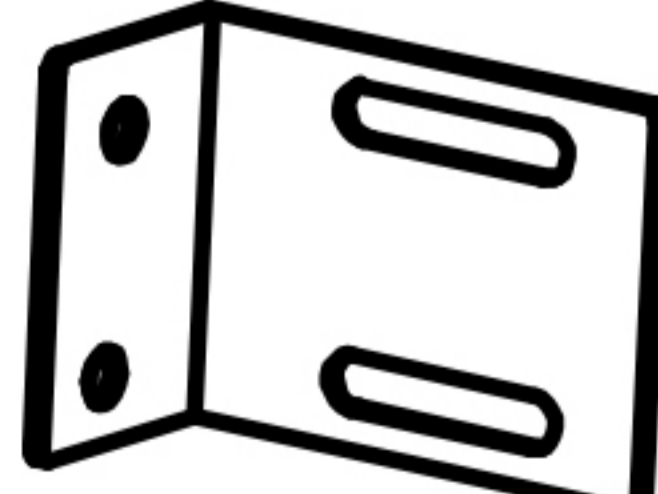

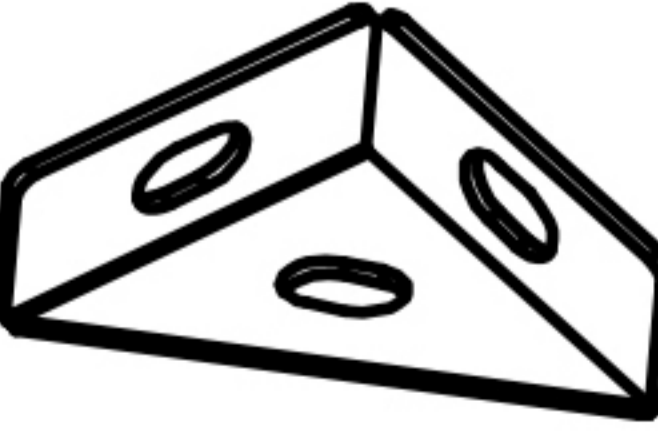

ACCESSORY CATALOGUE

Item no.	Reference Image	Qty.	Item no.	Reference Image	Qty.
D		1	F2		1
D1		1	F3		1
D2		1	F4		1
D3		1	F5		1
E		1	G		1
E1		1	G1		2
E2		1	H1		1
E3		1	H2		1
F		2	I1		1
F1		2	I2		1

 Keep all parts! For missing parts or installation issues, contact us.

  E-mail: cs.helper01@gmail.com

ACCESSORY CATALOGUE

Item no.	Reference Image	Qty.	Item no.	Reference Image	Qty.
I3		1	M3		1
I4		1	M4		1
J2		1	M5		24
K		2	M6		2
K1		2	M7		2
L		10	M8		12
L2		2	P		1
M		12	Q		52
M1		2	R1		1
M2		2	R2		1

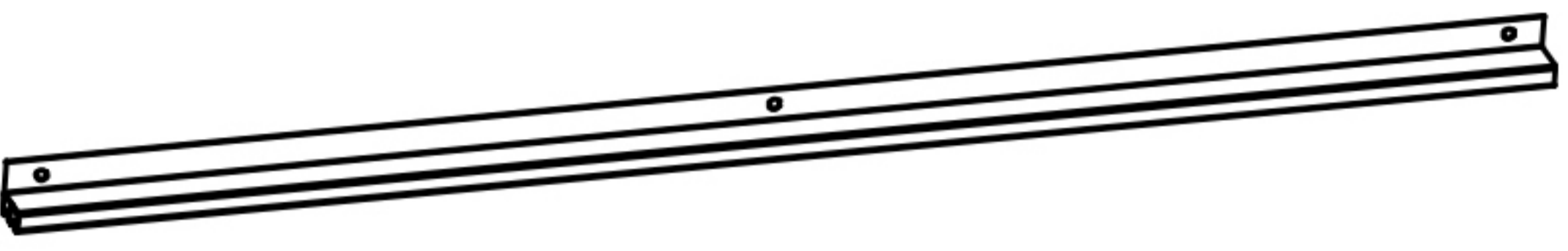
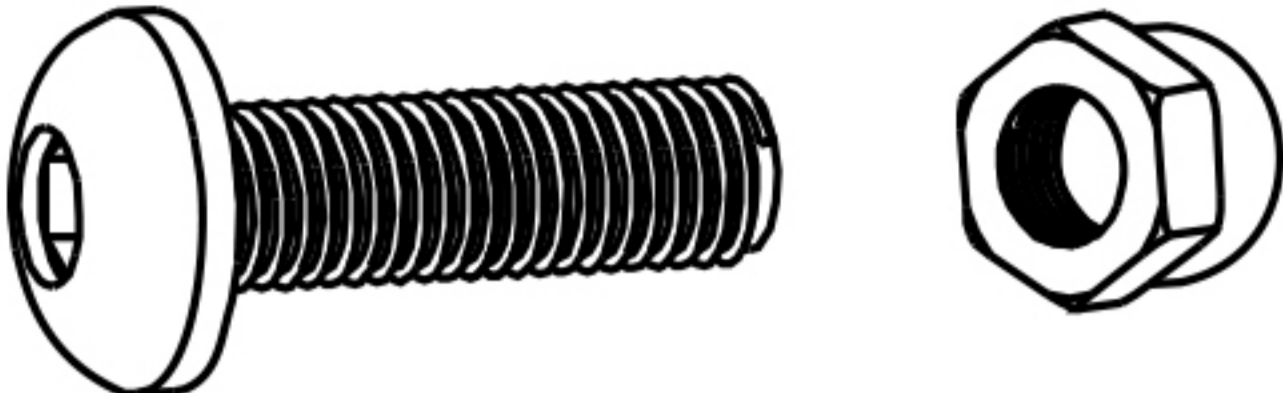
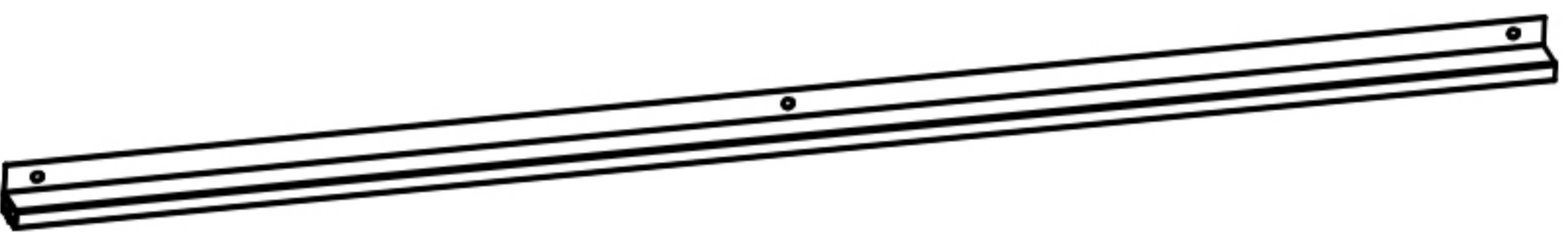
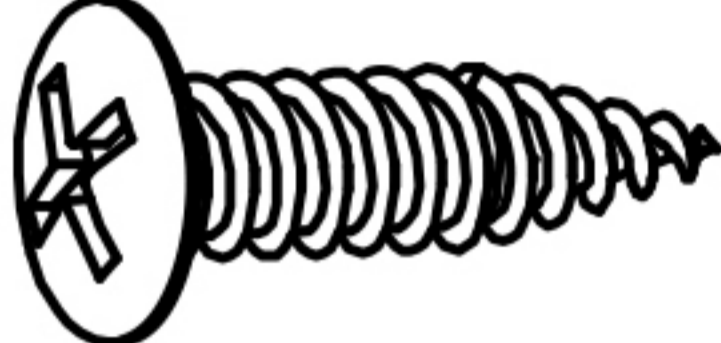
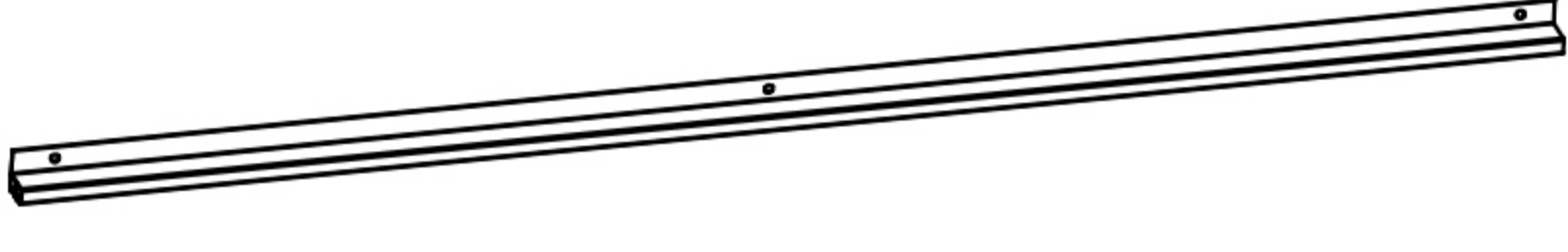
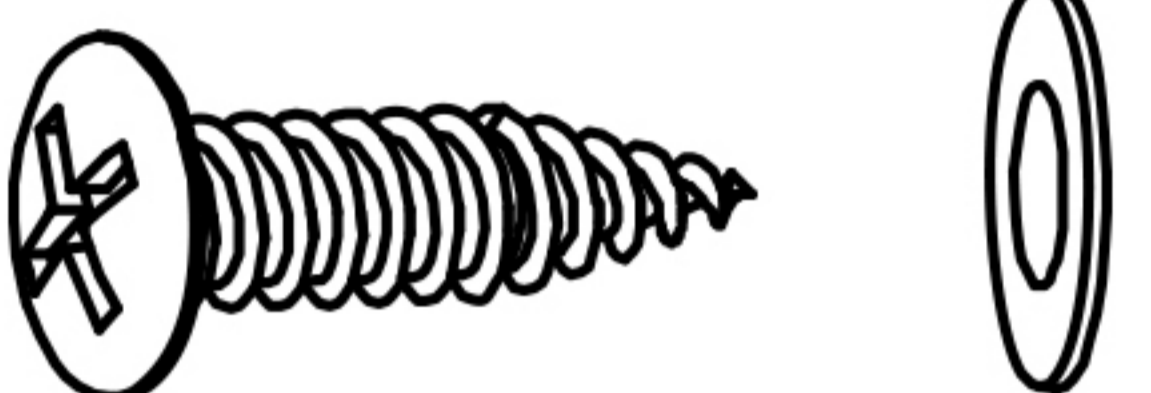
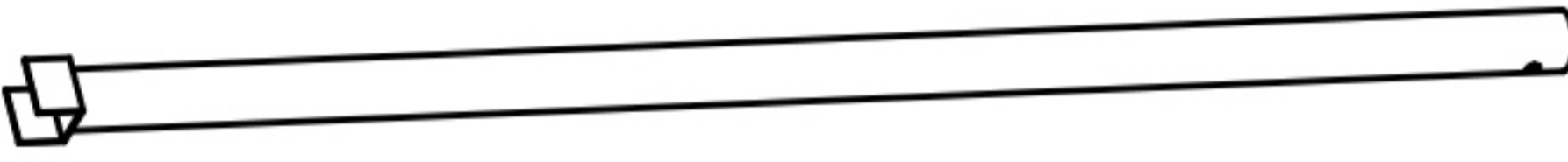
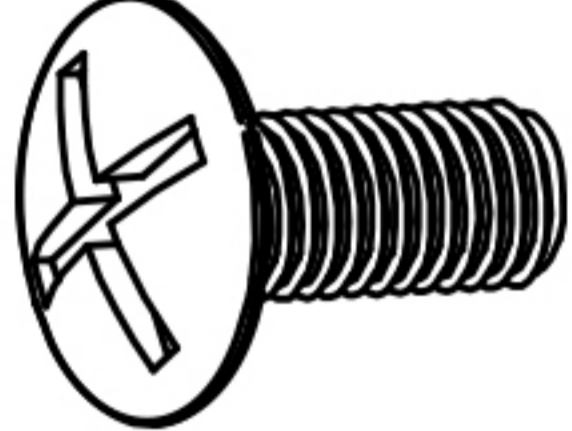
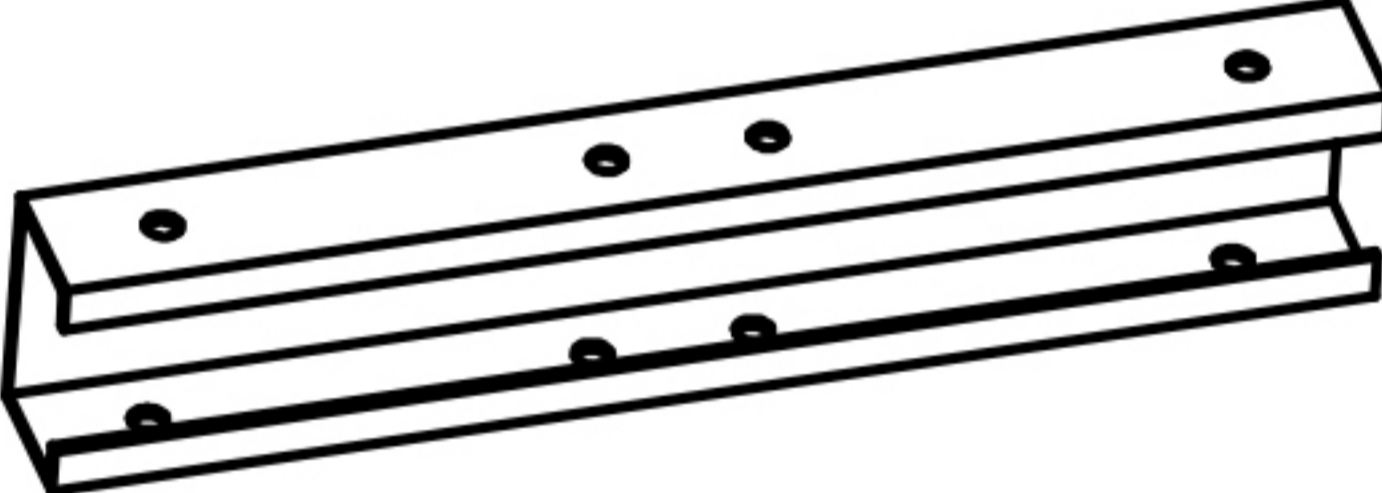
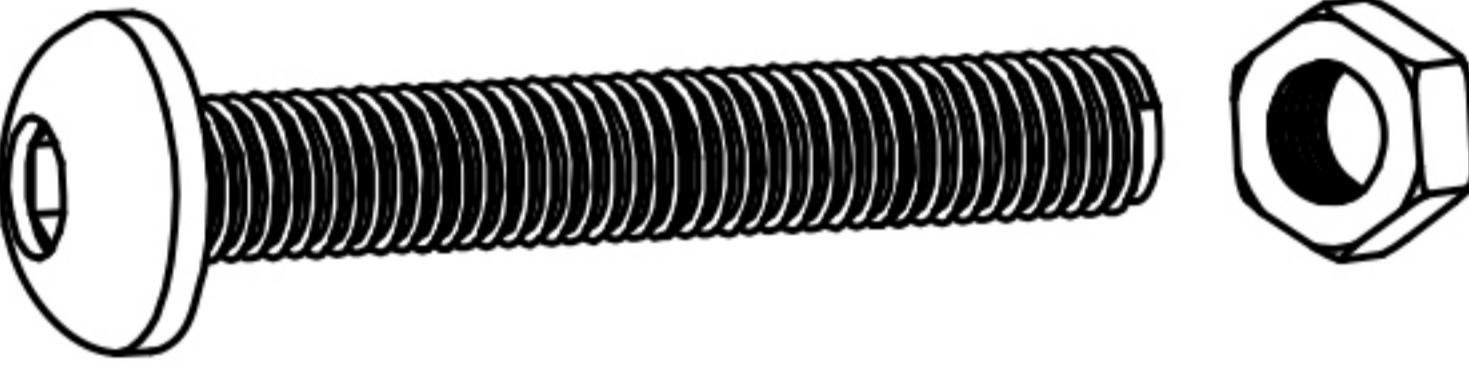
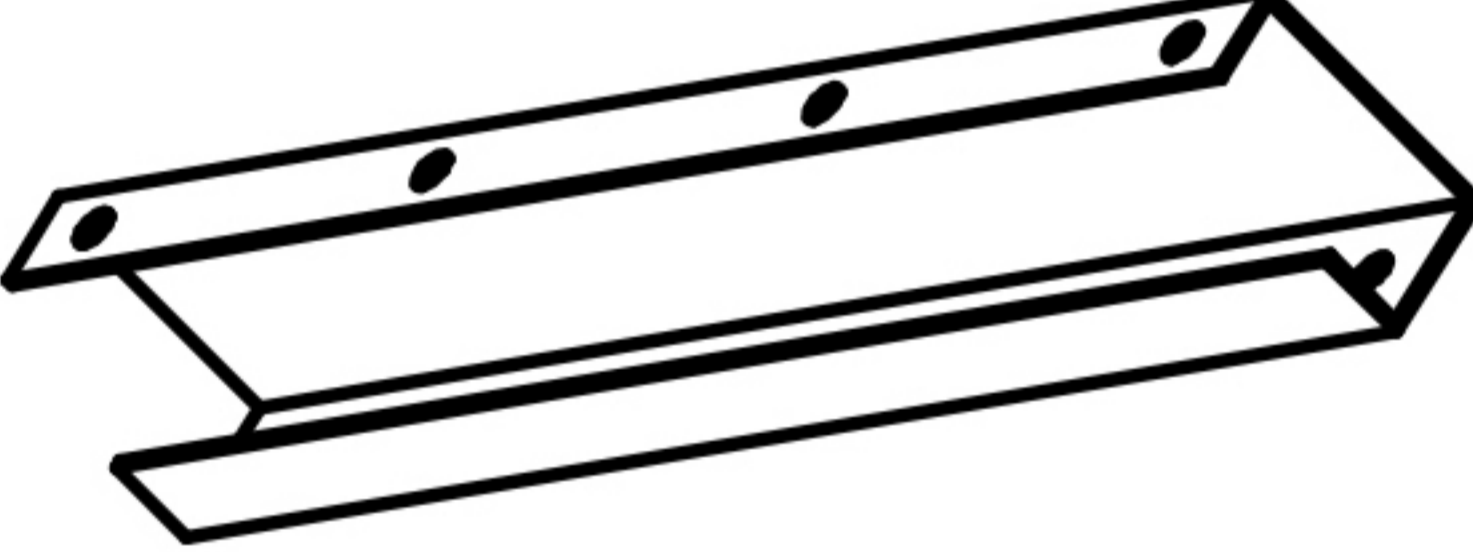

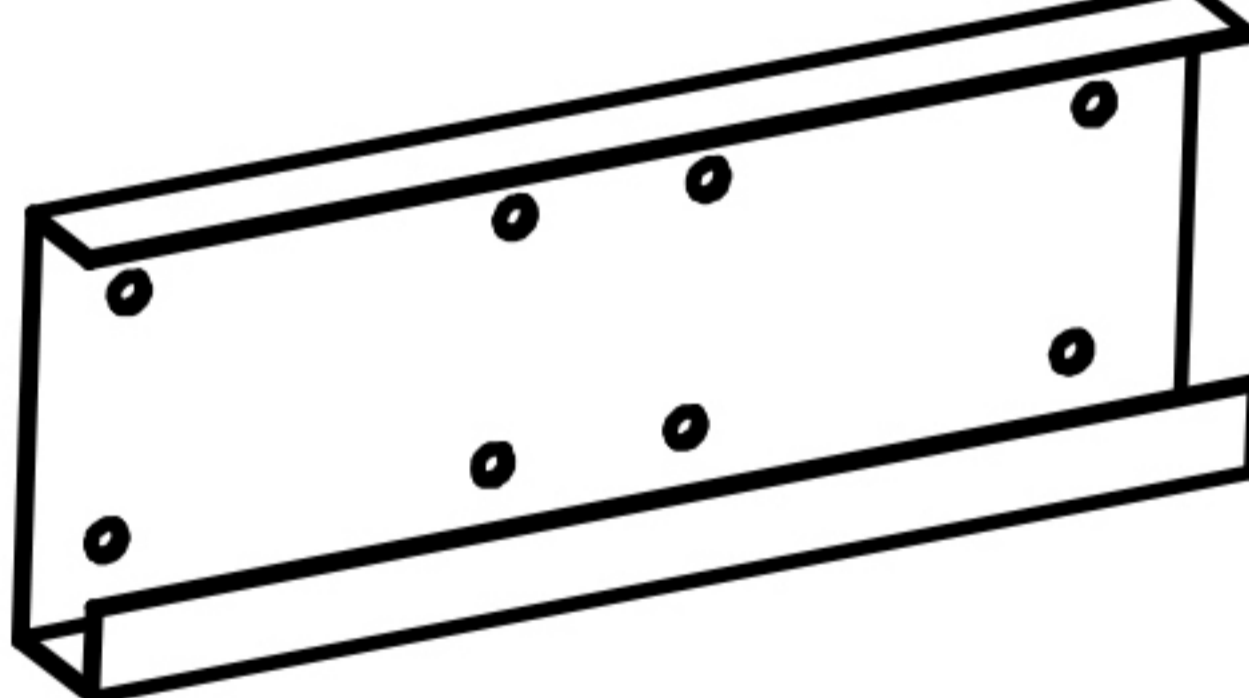


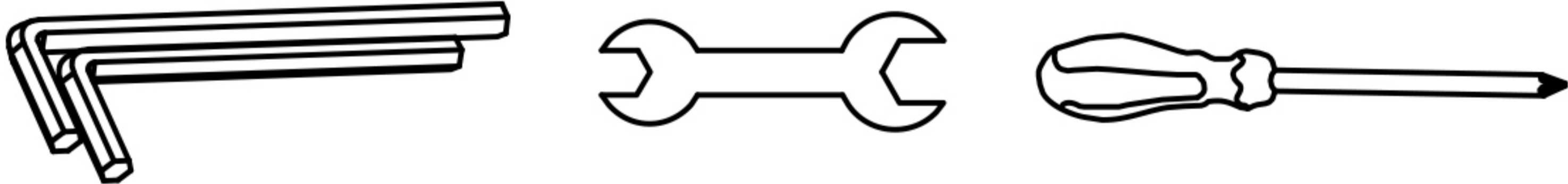
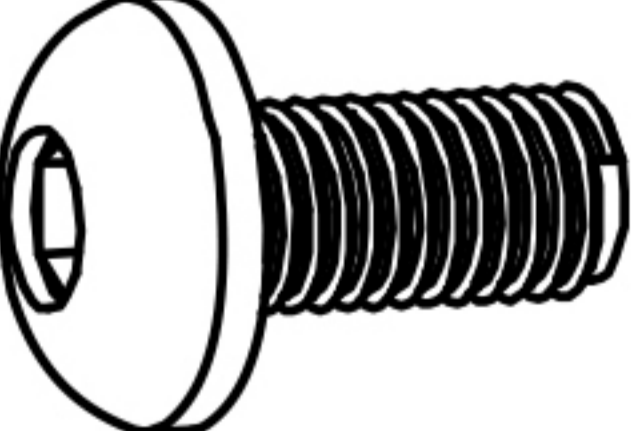


Keep all parts! For missing parts or installation issues, contact us.



E-mail: cs.helper01@gmail.com

ACCESSORY CATALOGUE

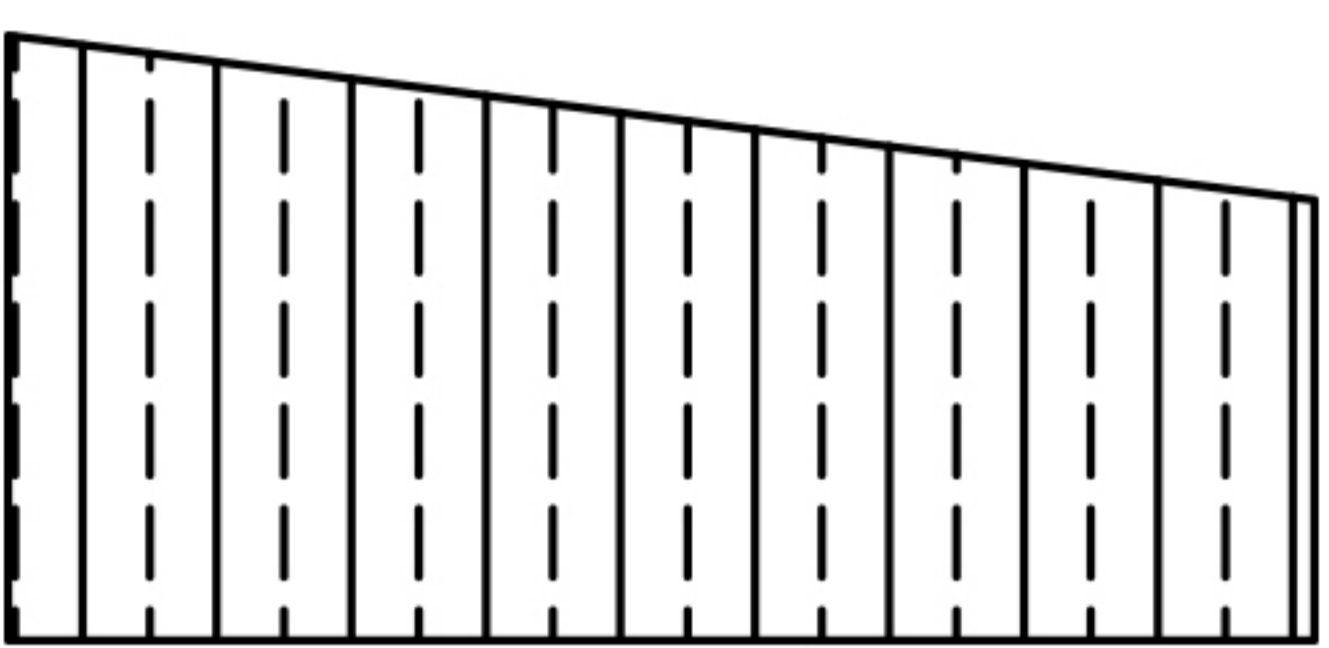

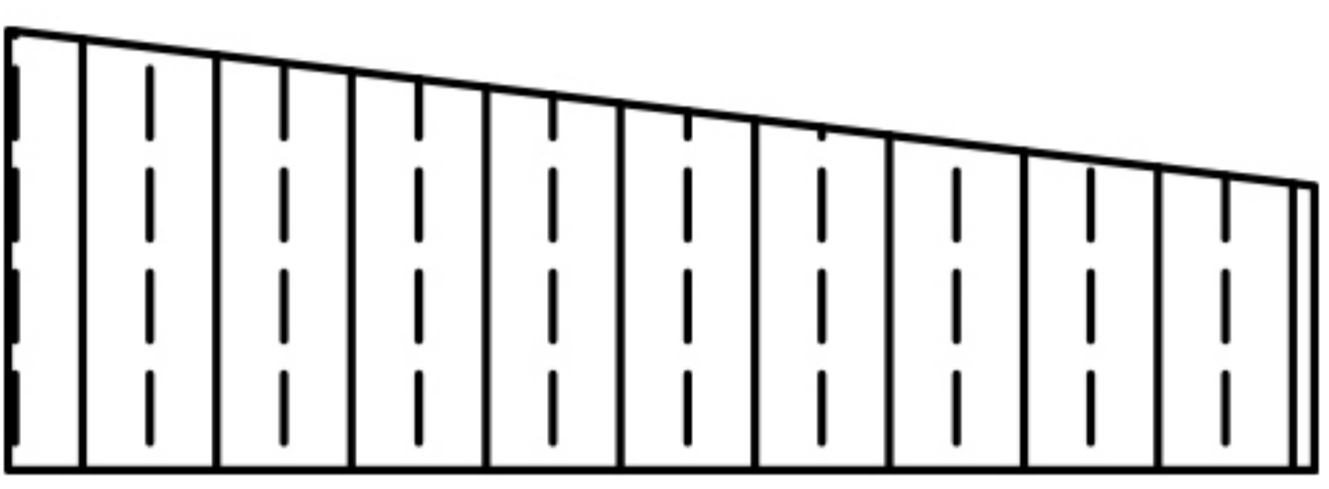

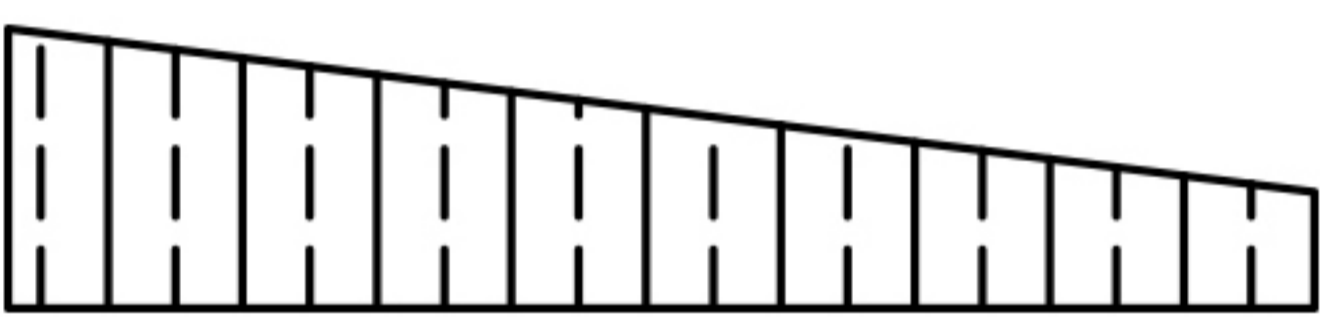

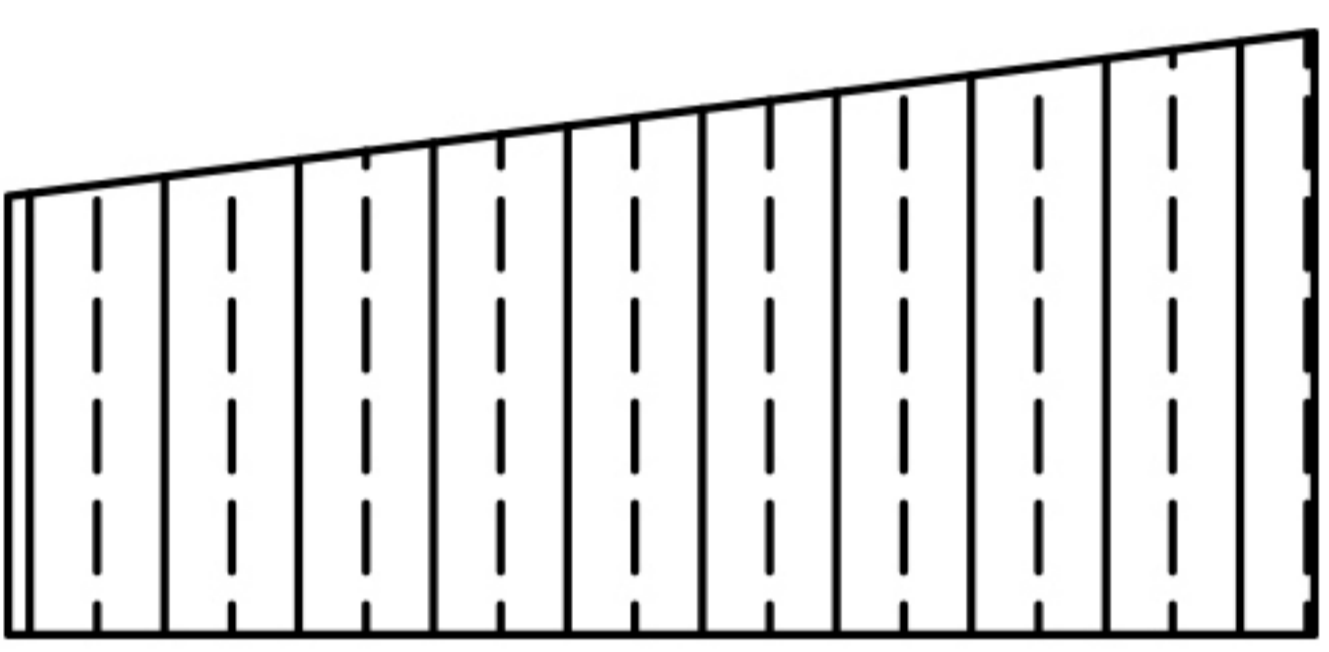
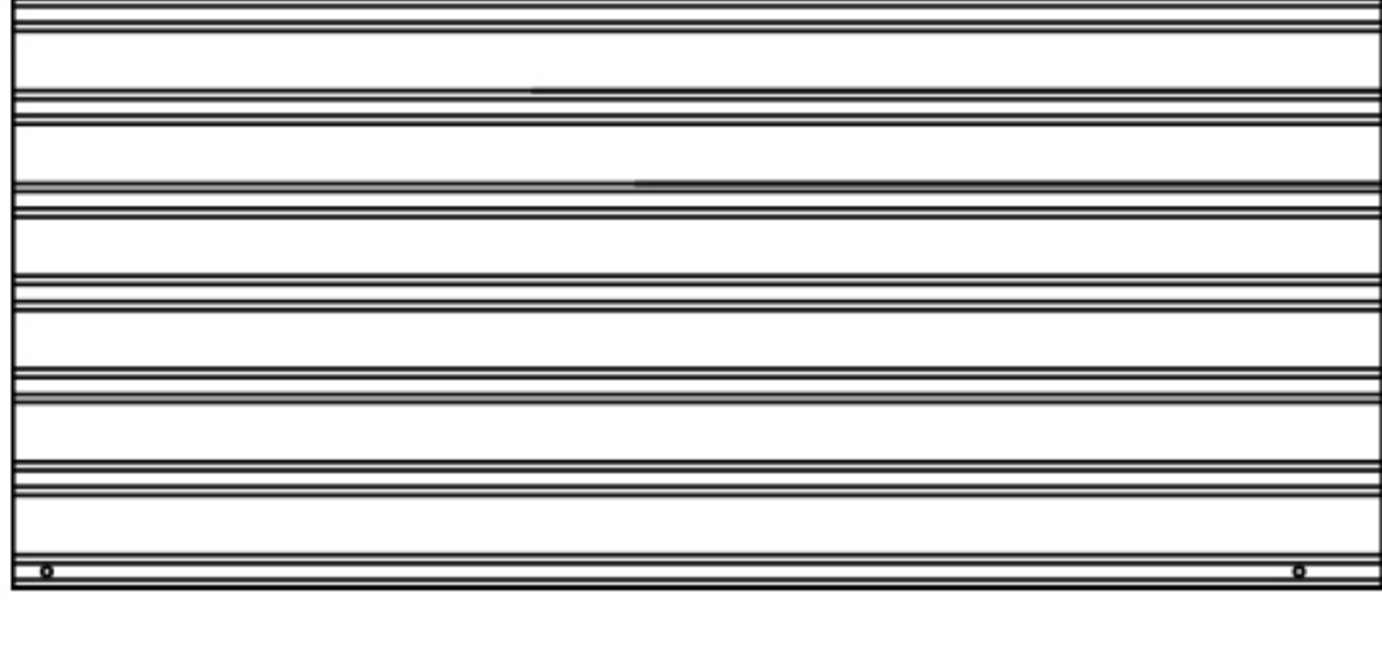
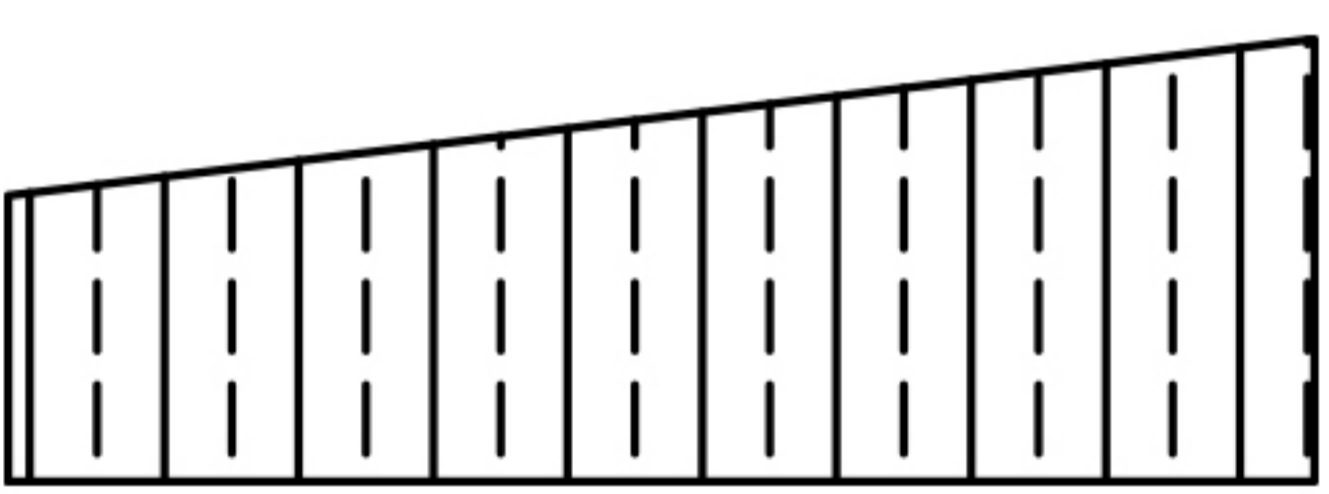

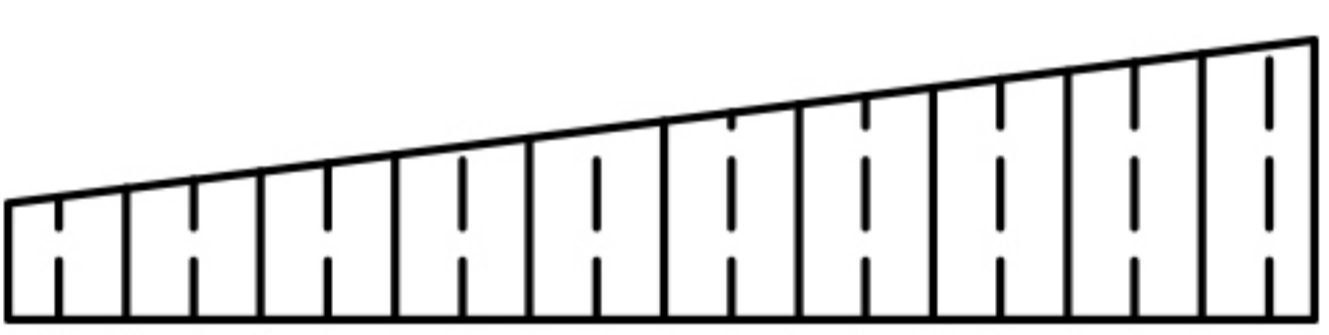

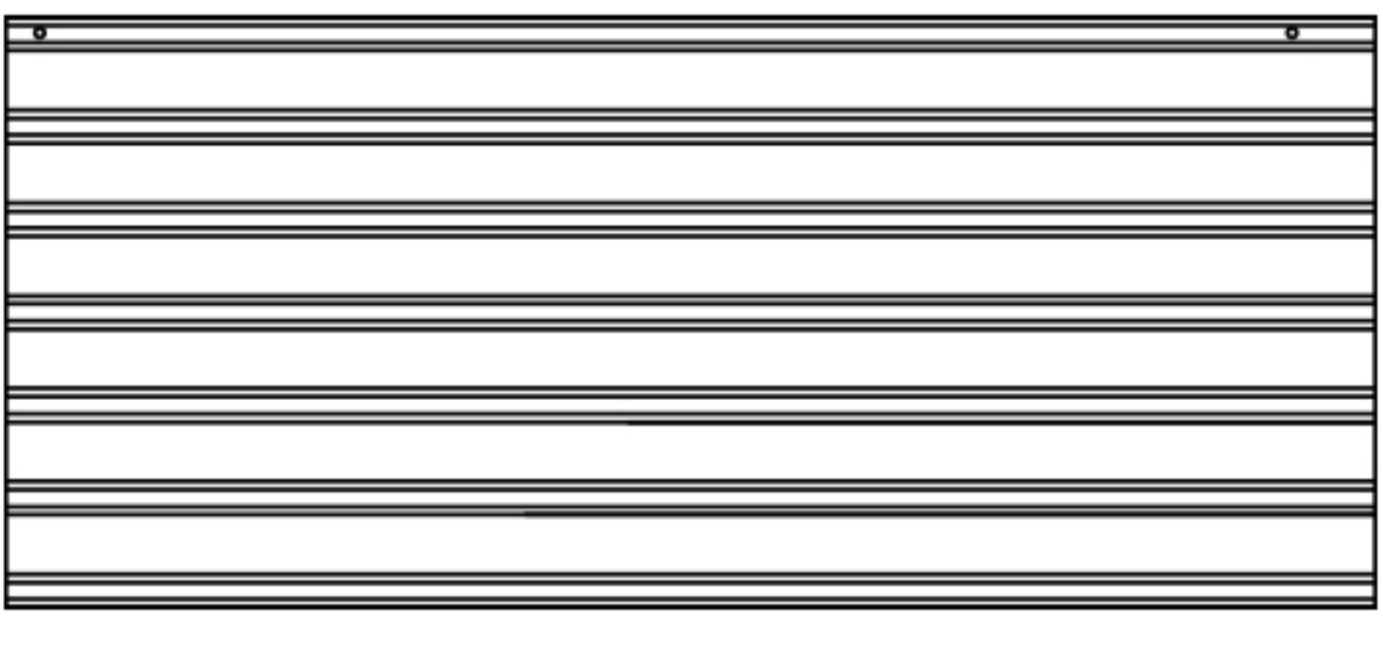
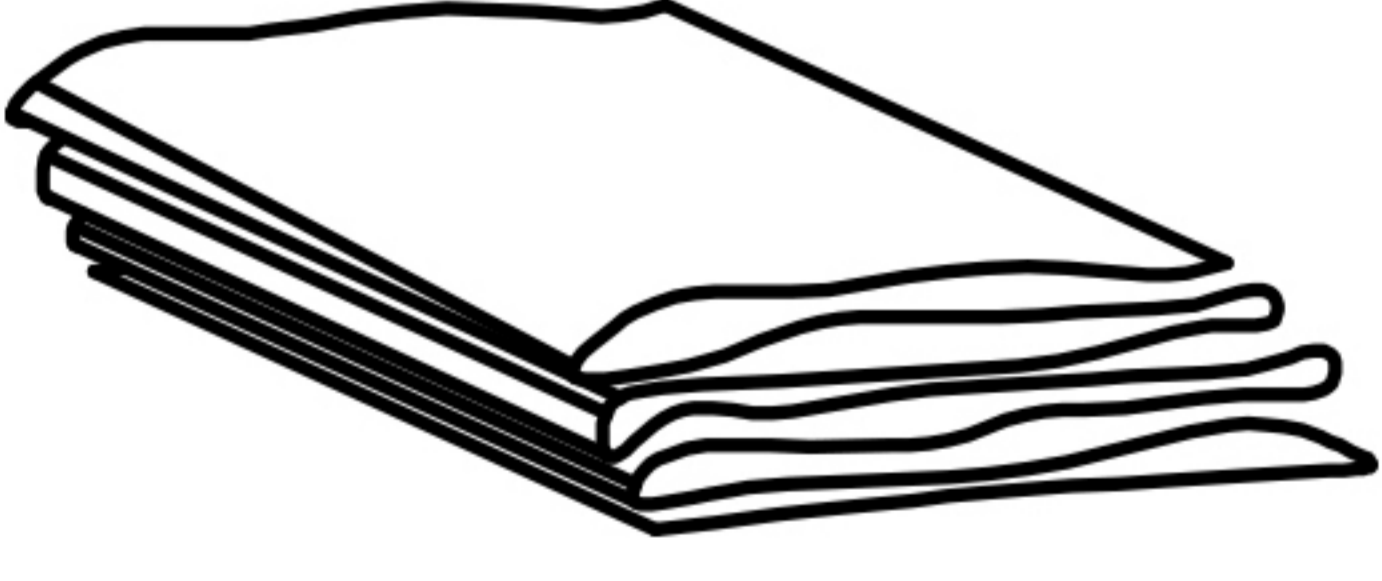

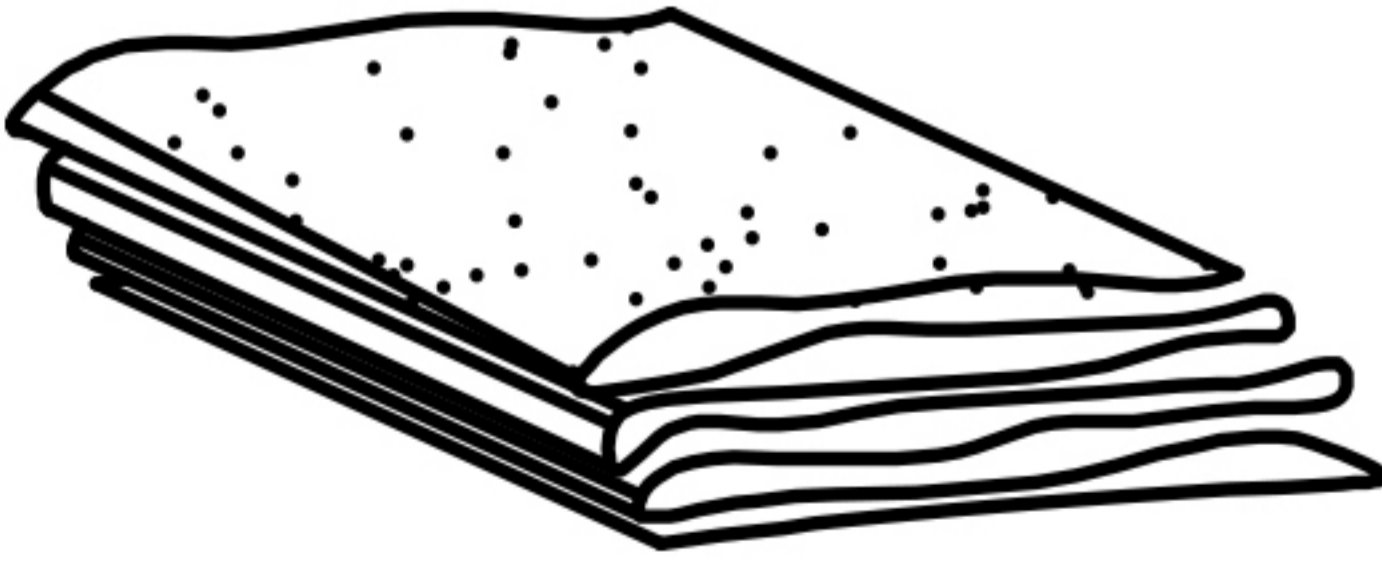
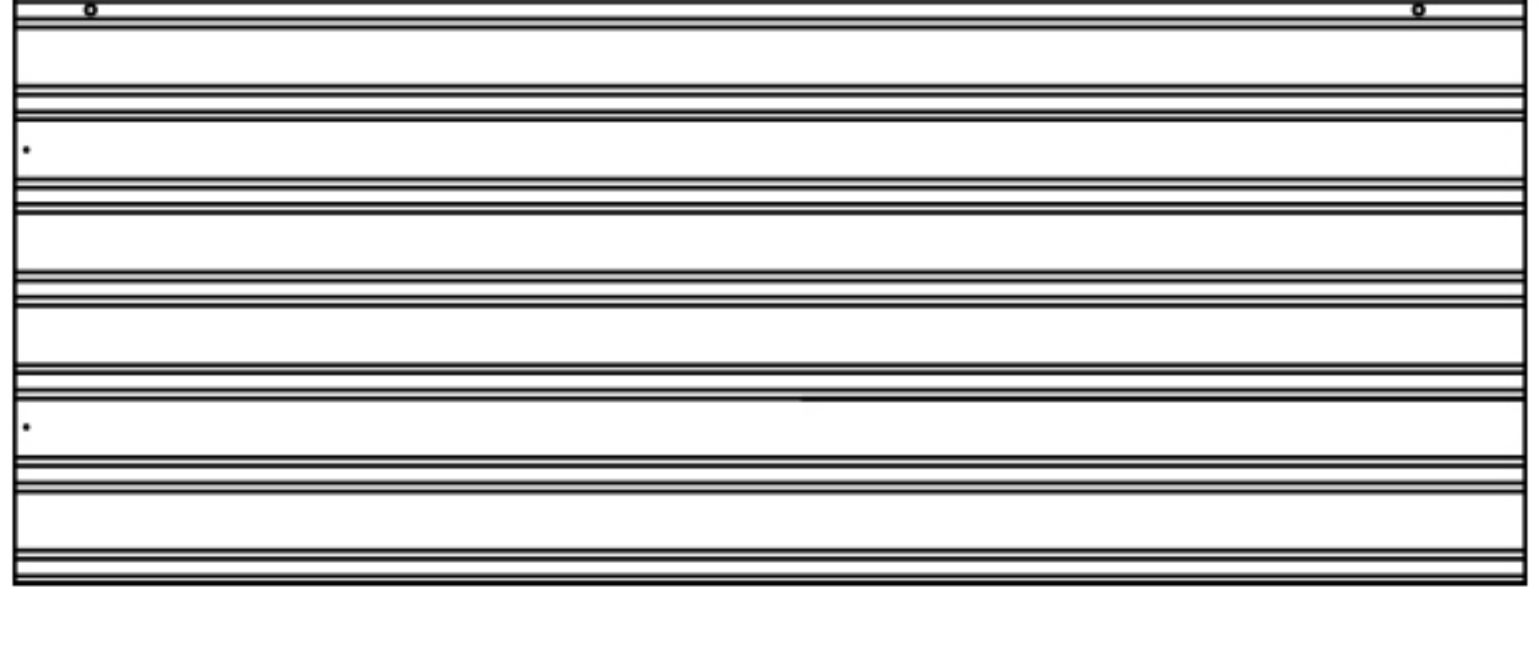
Item no.	Reference Image	Qty.	Item no.	Reference Image	Qty.
S		2	X2	 M6X20mm	24
S1		2	X3	 5X15	52
W		2	X4	 4X10	6
V		2	X5	 M5X15mm	4
T		1	X6	 M6X47mm	2
T1		2	X7	 M6X30mm	4
T2		2			12
X	 M6X40mm	30			1
X1	 M6X15mm	136			

 Keep all parts! For missing parts or installation issues, contact us.

  E-mail: cs.helper01@gmail.com

ACCESSORY CATALOGUE

BOX 3 SKU:B001G084-3

Item no.	Reference Image	Qty.	Item no.	Reference Image	Qty.
Y1		1	N4		5
Y2		1	N5		5
Y3		1	N6		5
Y4		1	N7		1
Y5		1	N8		1
Y6		1	N9		1
N1		1	Z		1
N2		1	Z1		1
N3		1			



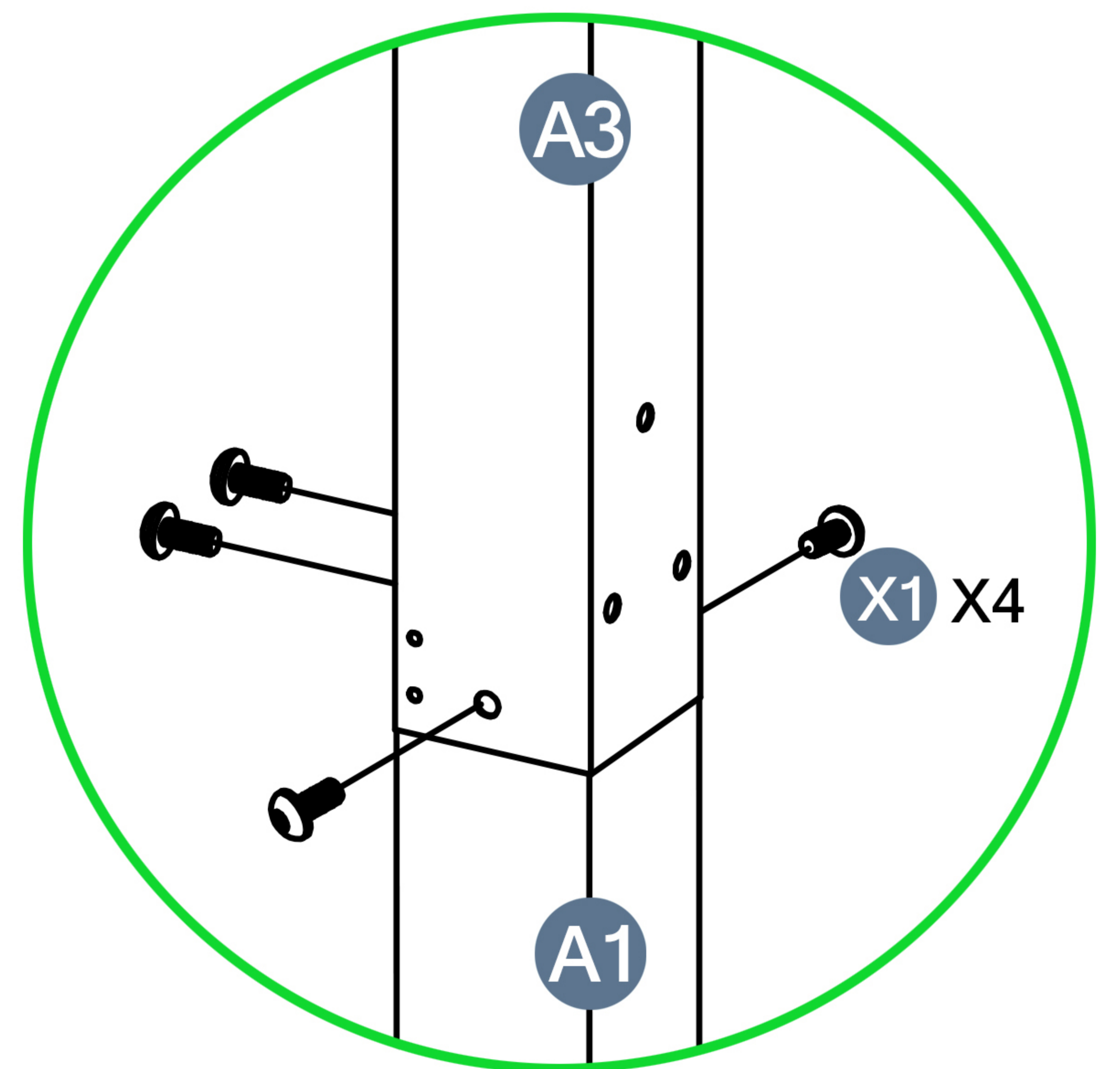
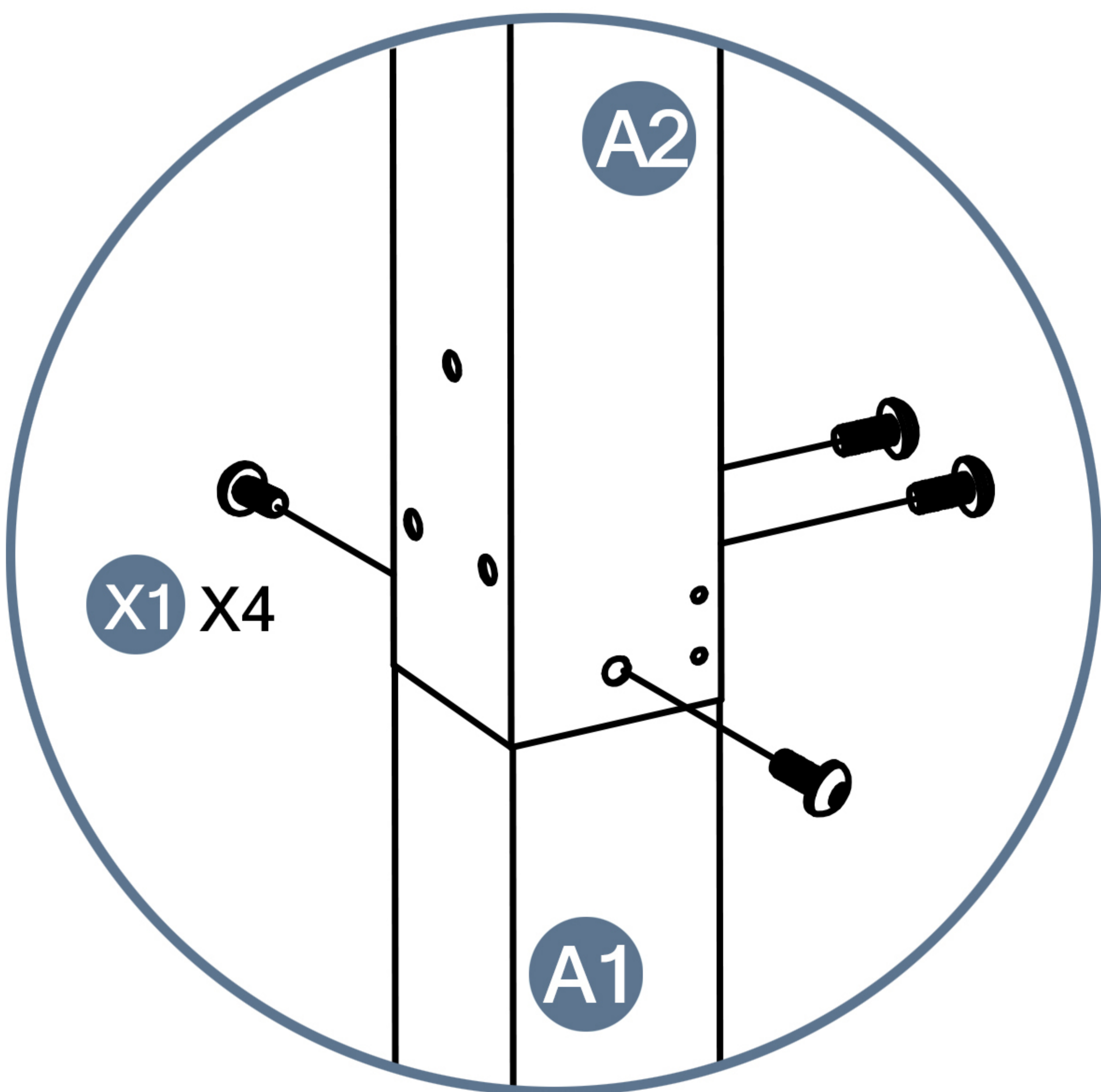
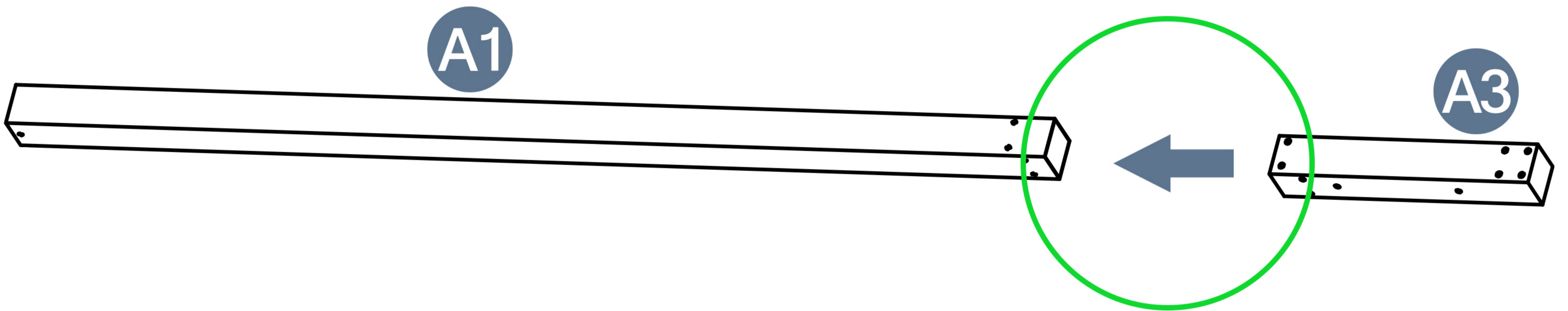
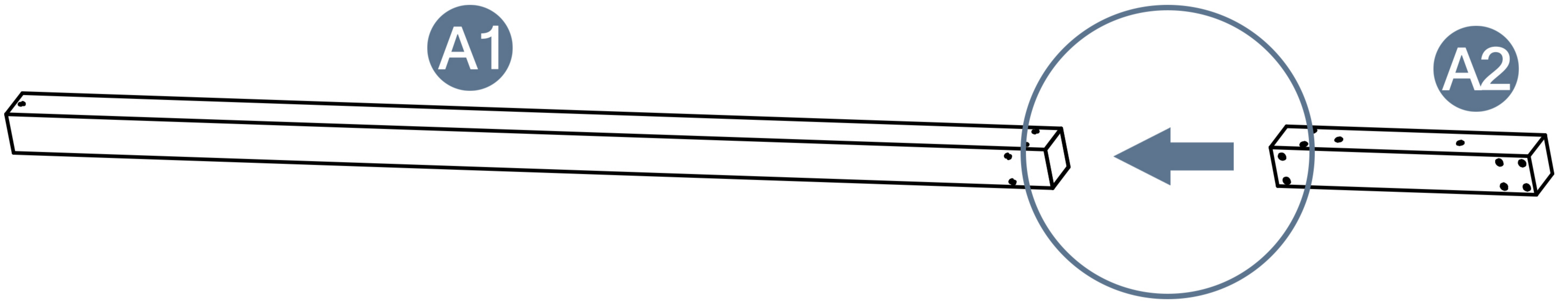
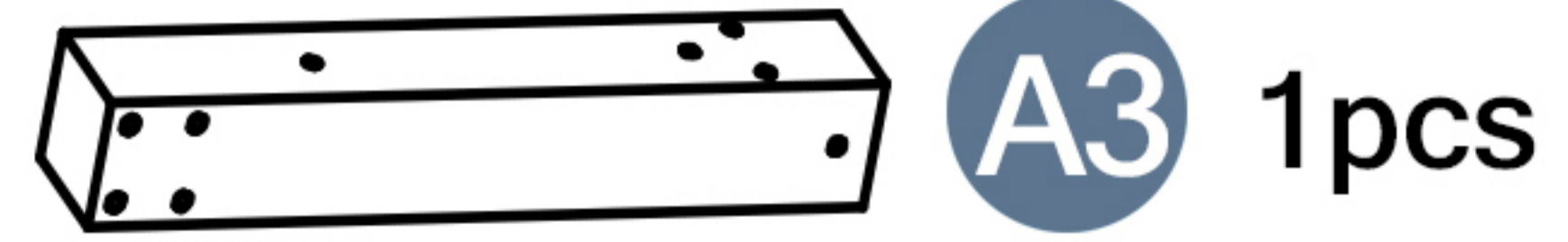
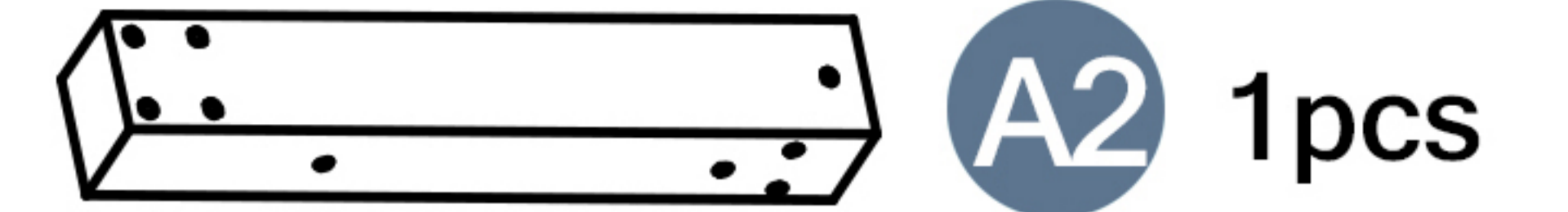
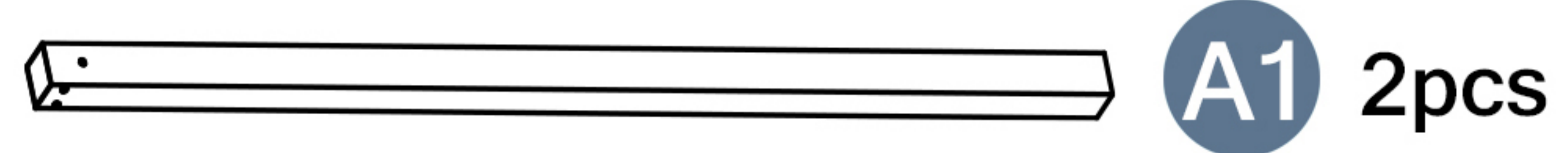
Keep all parts! For missing parts or installation issues, contact us.



E-mail: cs.helper01@gmail.com

STEP 1

Parts required



! Keep all parts! For missing parts or installation issues, contact us.

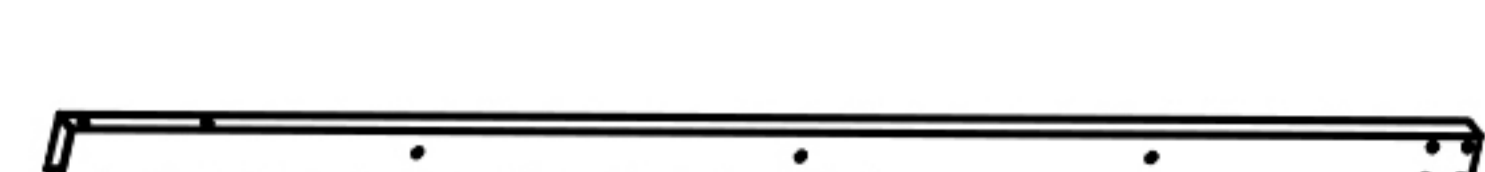
➔ ✉ E-mail: cs.helper01@gmail.com

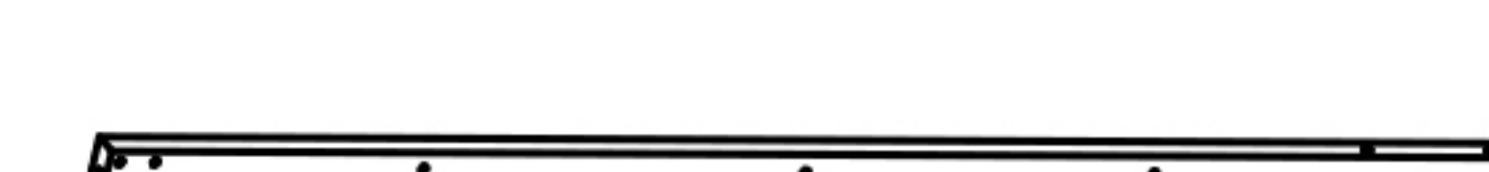
STEP 2

Parts required

 B 1pcs

 B1 1pcs

 B2 1pcs

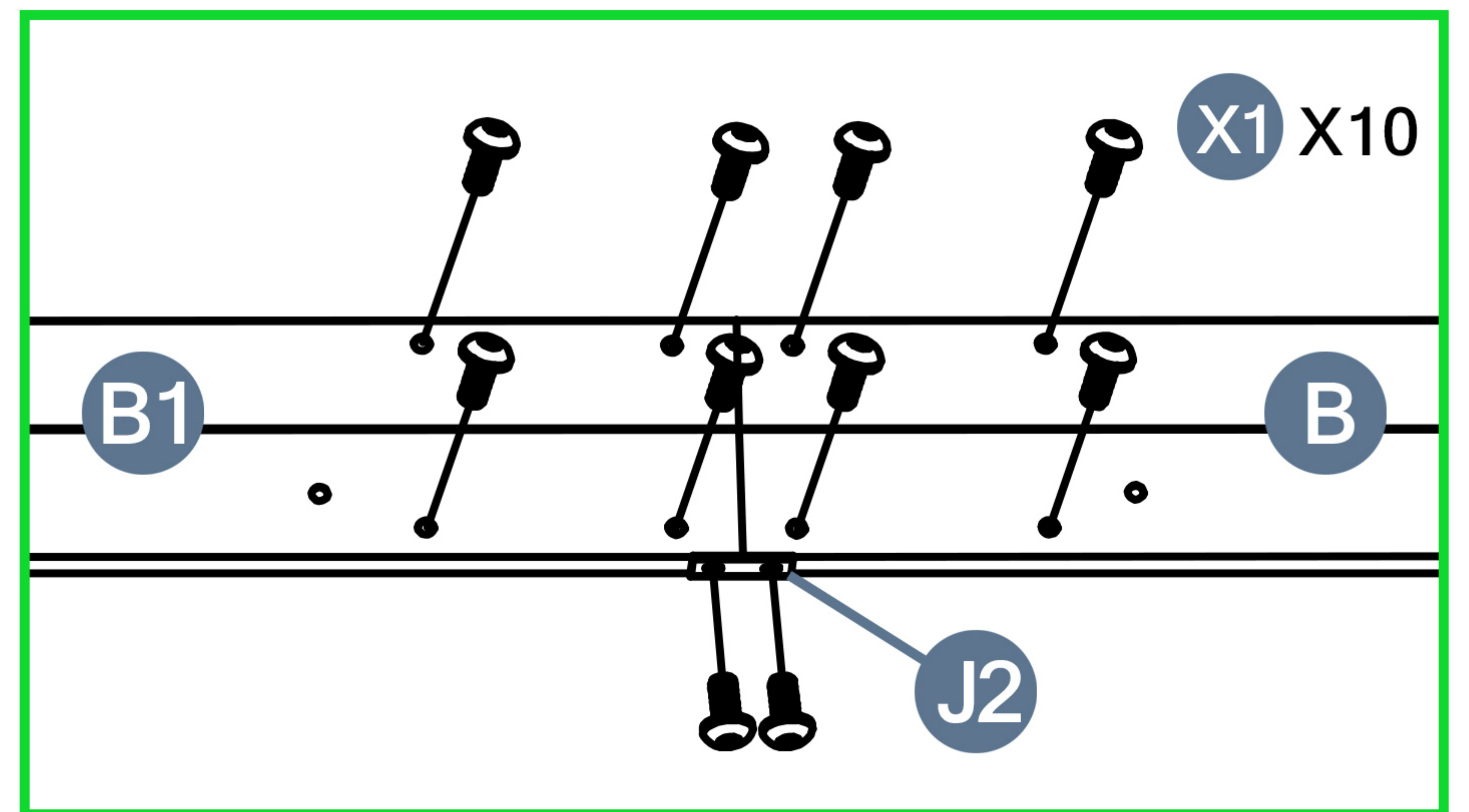
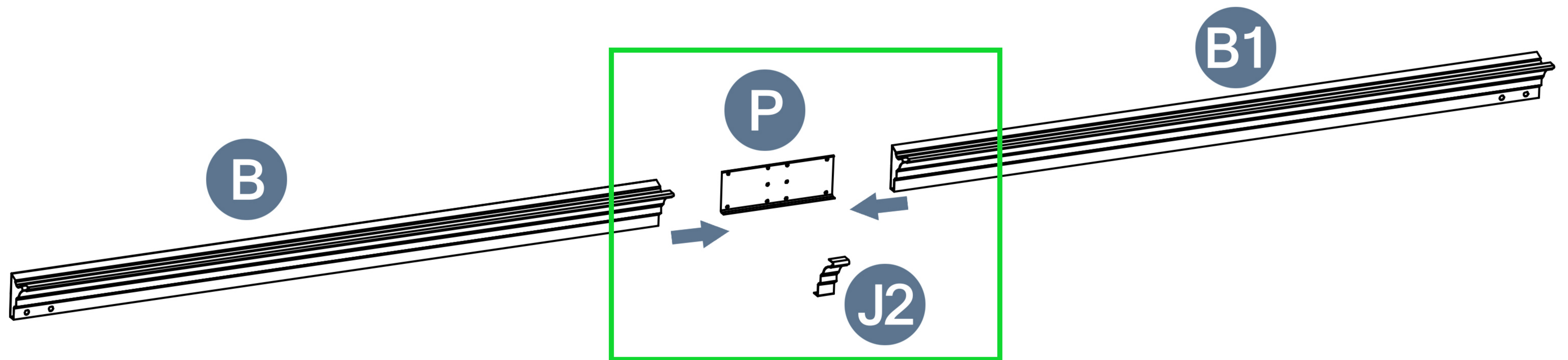
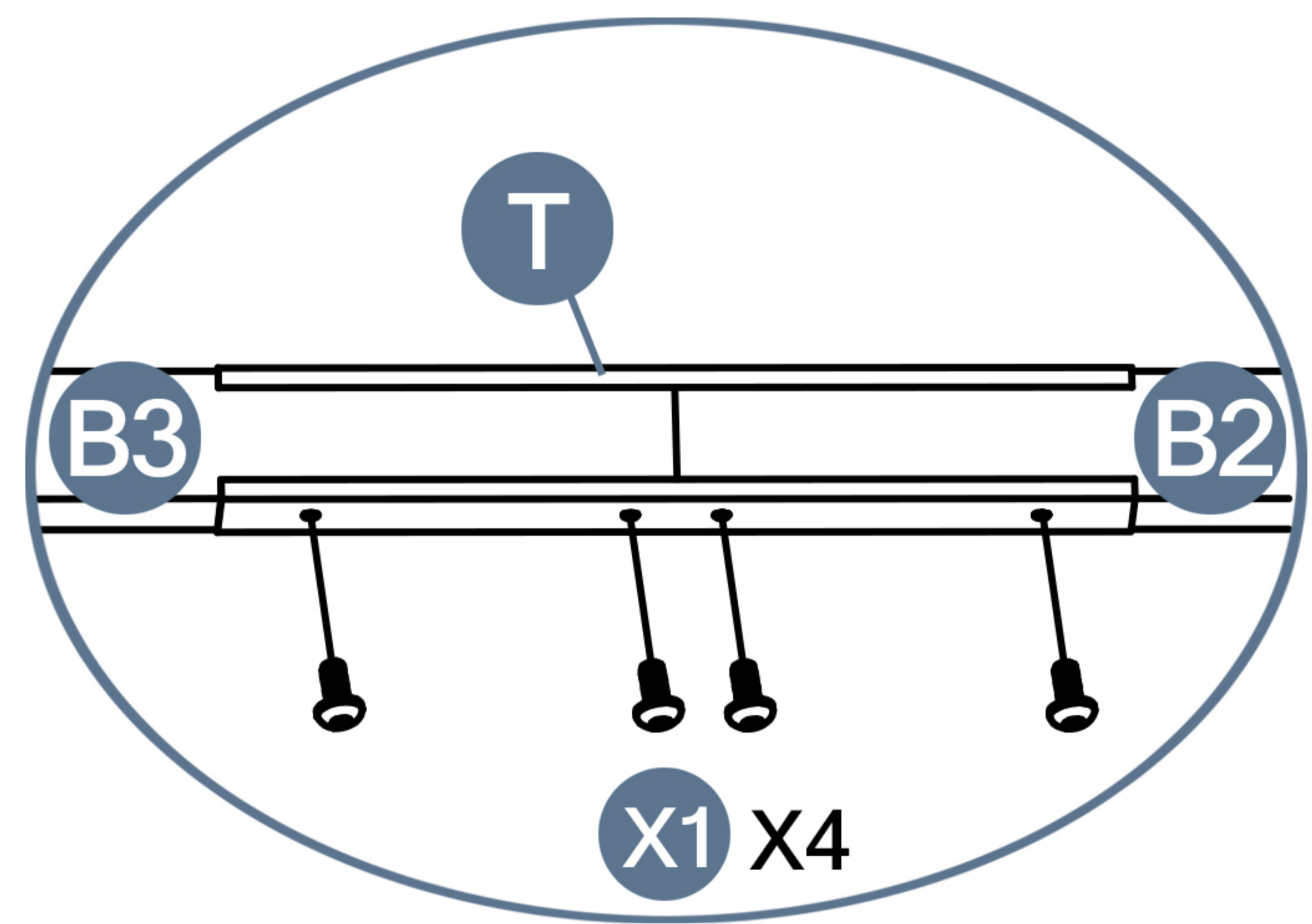
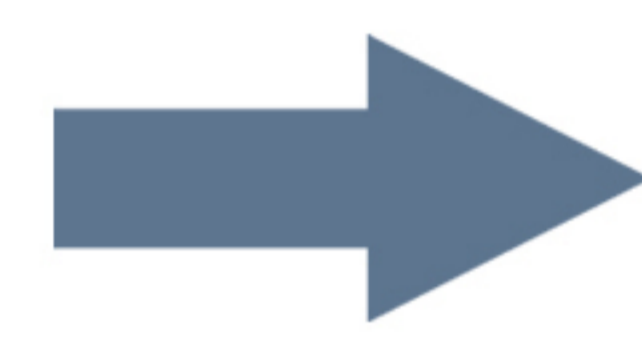
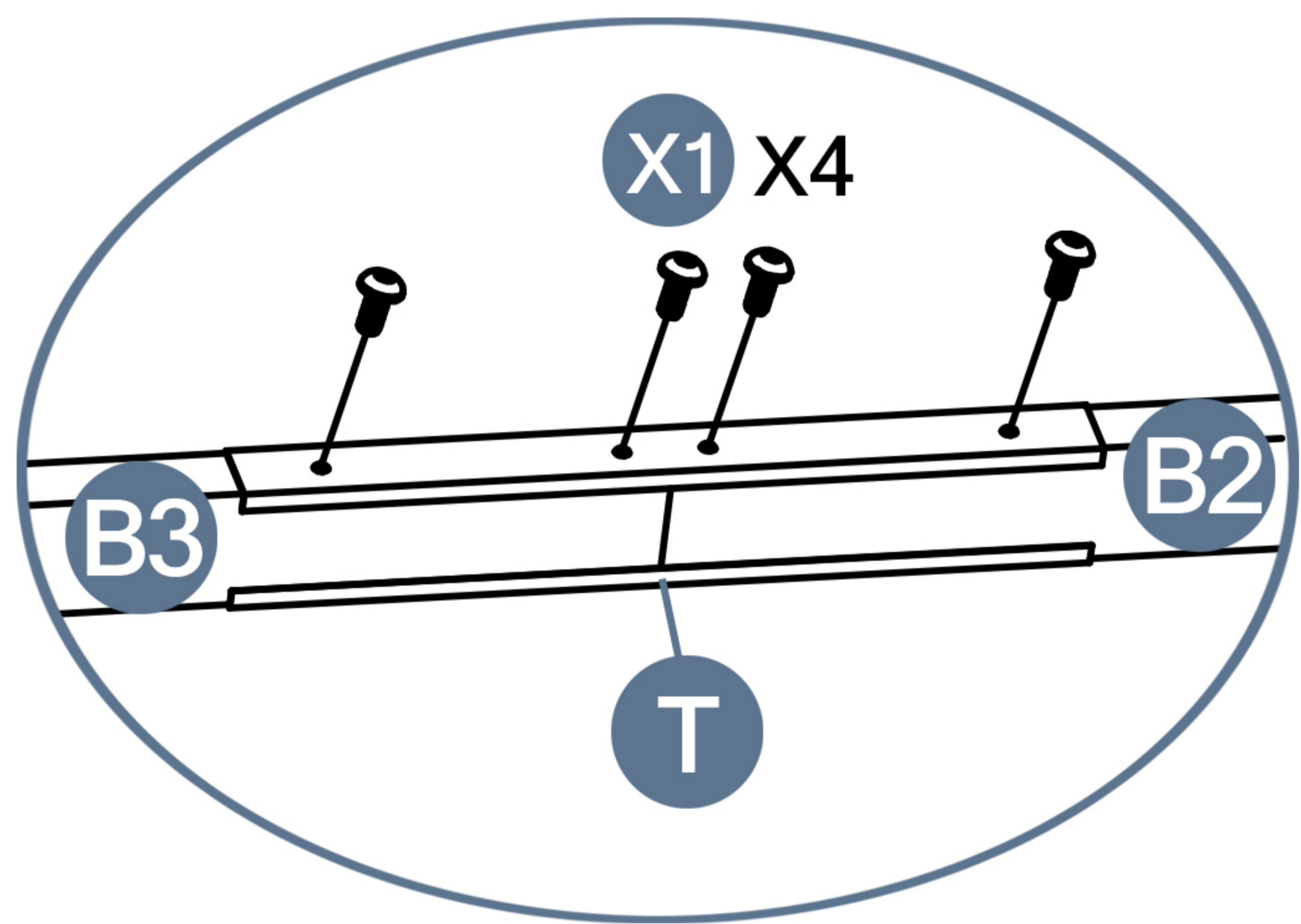
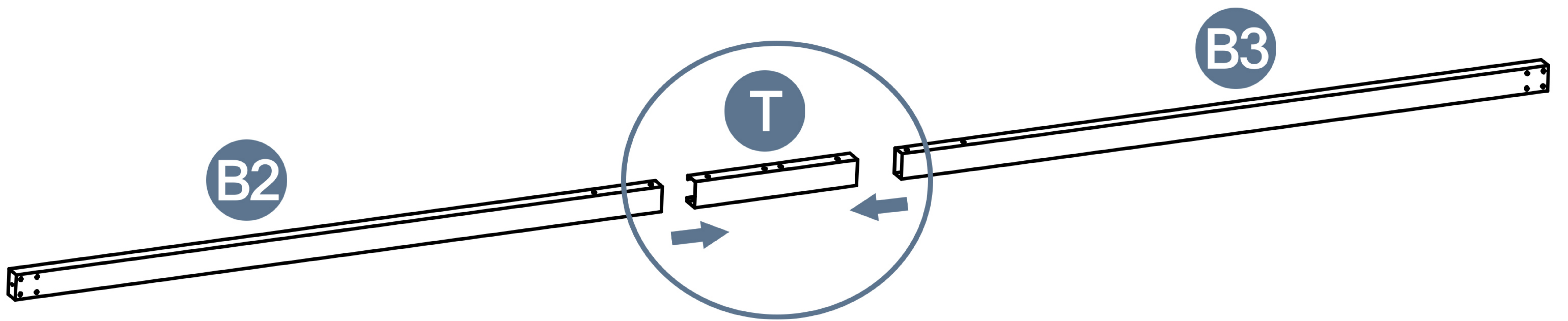
 B3 1pcs

 T 1pcs

 P 1pcs

 J2 1pcs

 X1 18pcs




Keep all parts! For missing parts or installation issues, contact us.

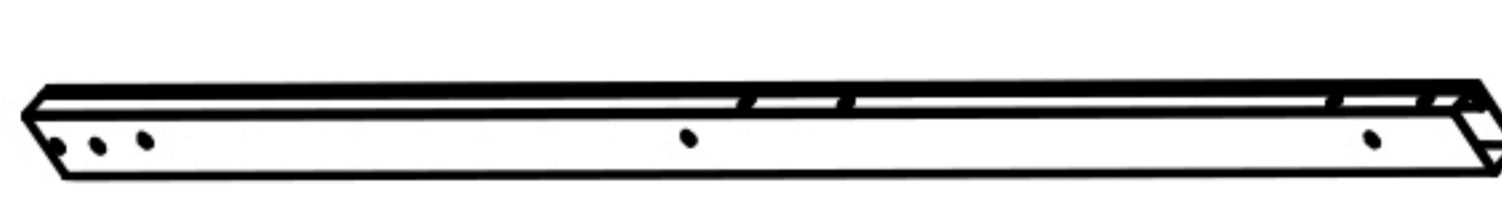


E-mail: cs.helper01@gmail.com

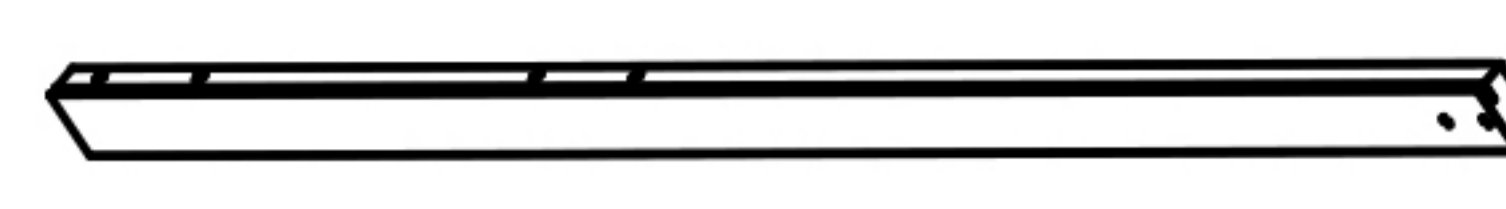
STEP 3

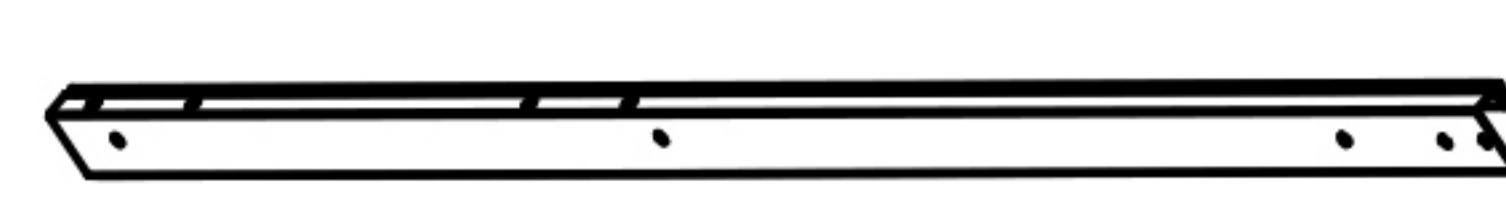
Parts required

 D 1pcs

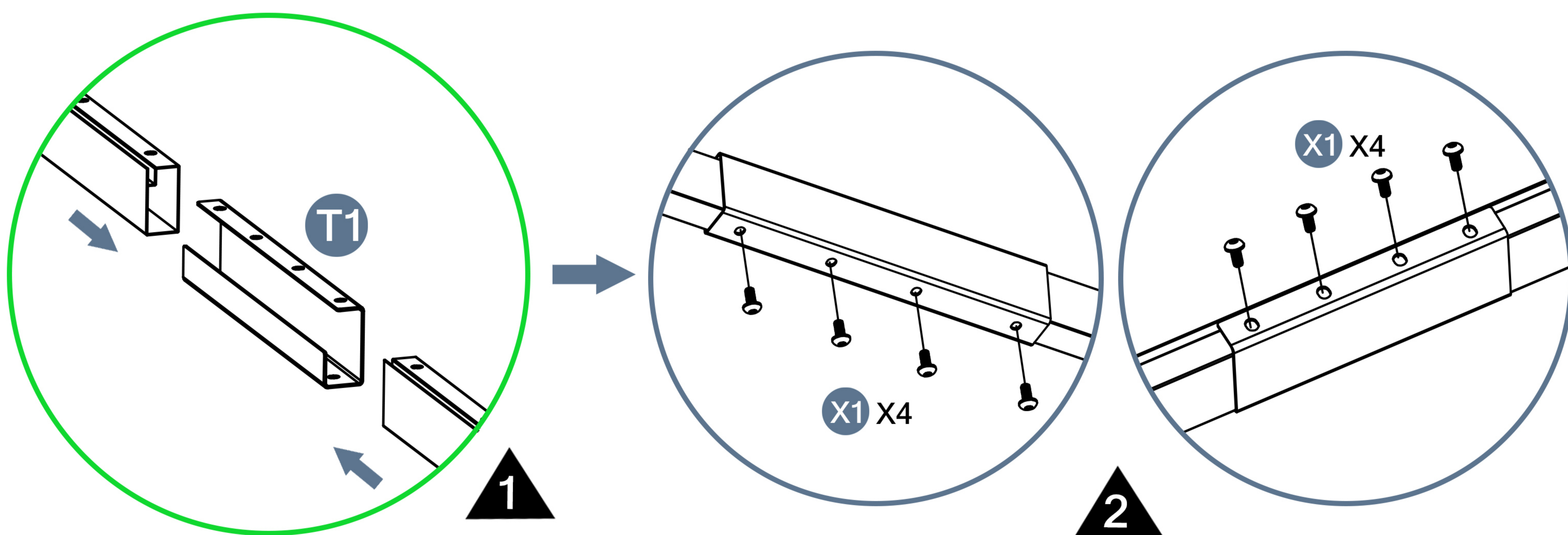
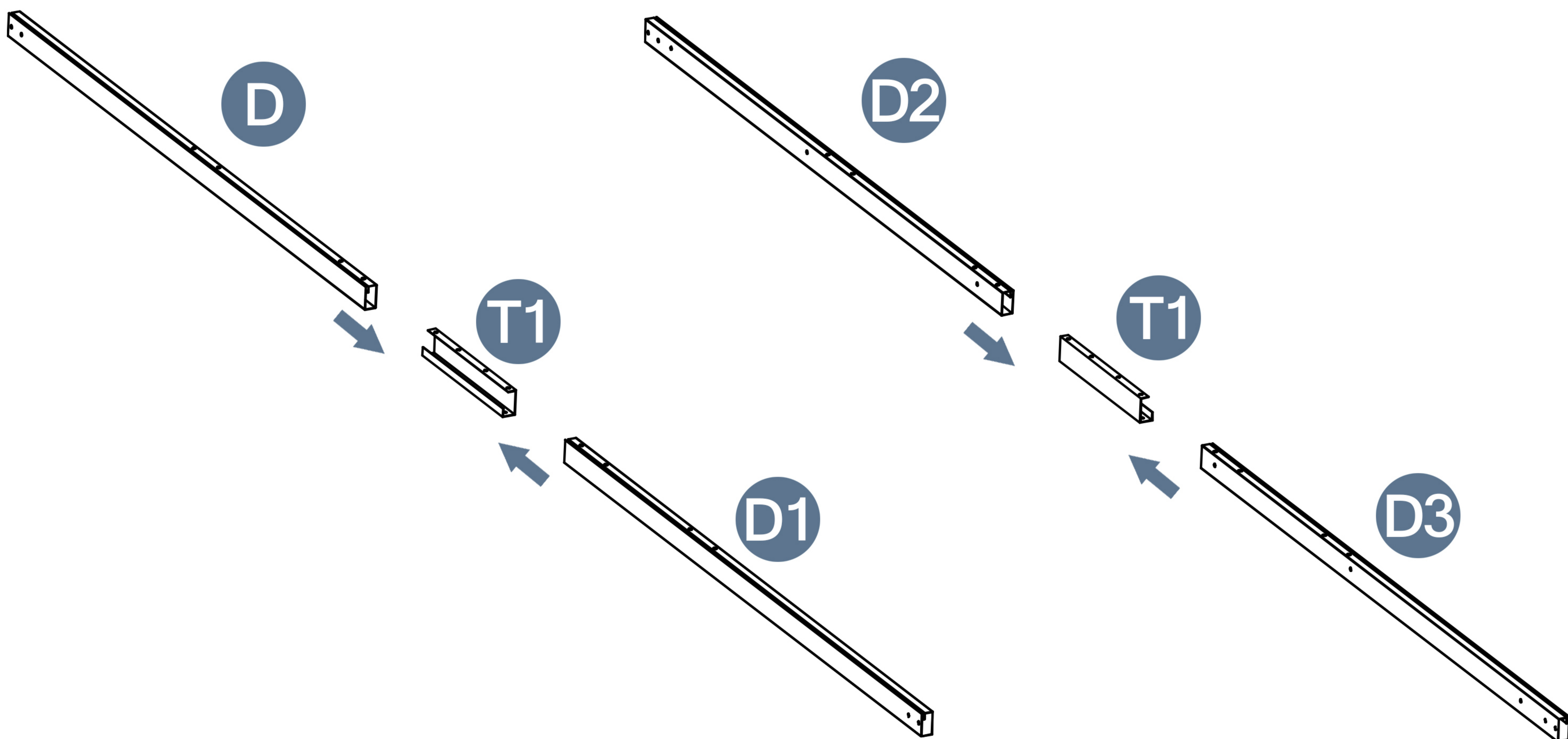
 D2 1pcs

 T1 2pcs

 D1 1pcs

 D3 1pcs

 X1 16pcs

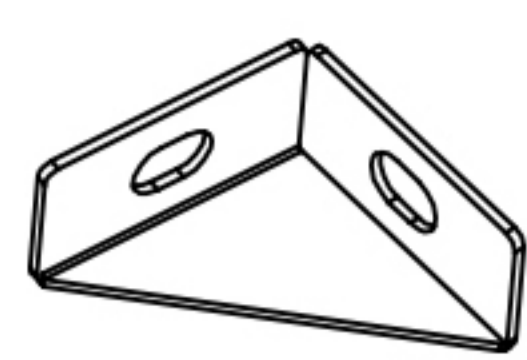


 Keep all parts! For missing parts or installation issues, contact us.

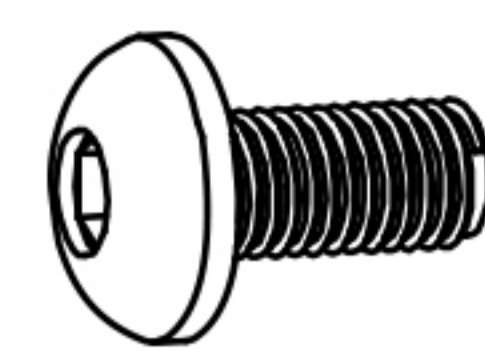
  E-mail: cs.helper01@gmail.com

STEP 4

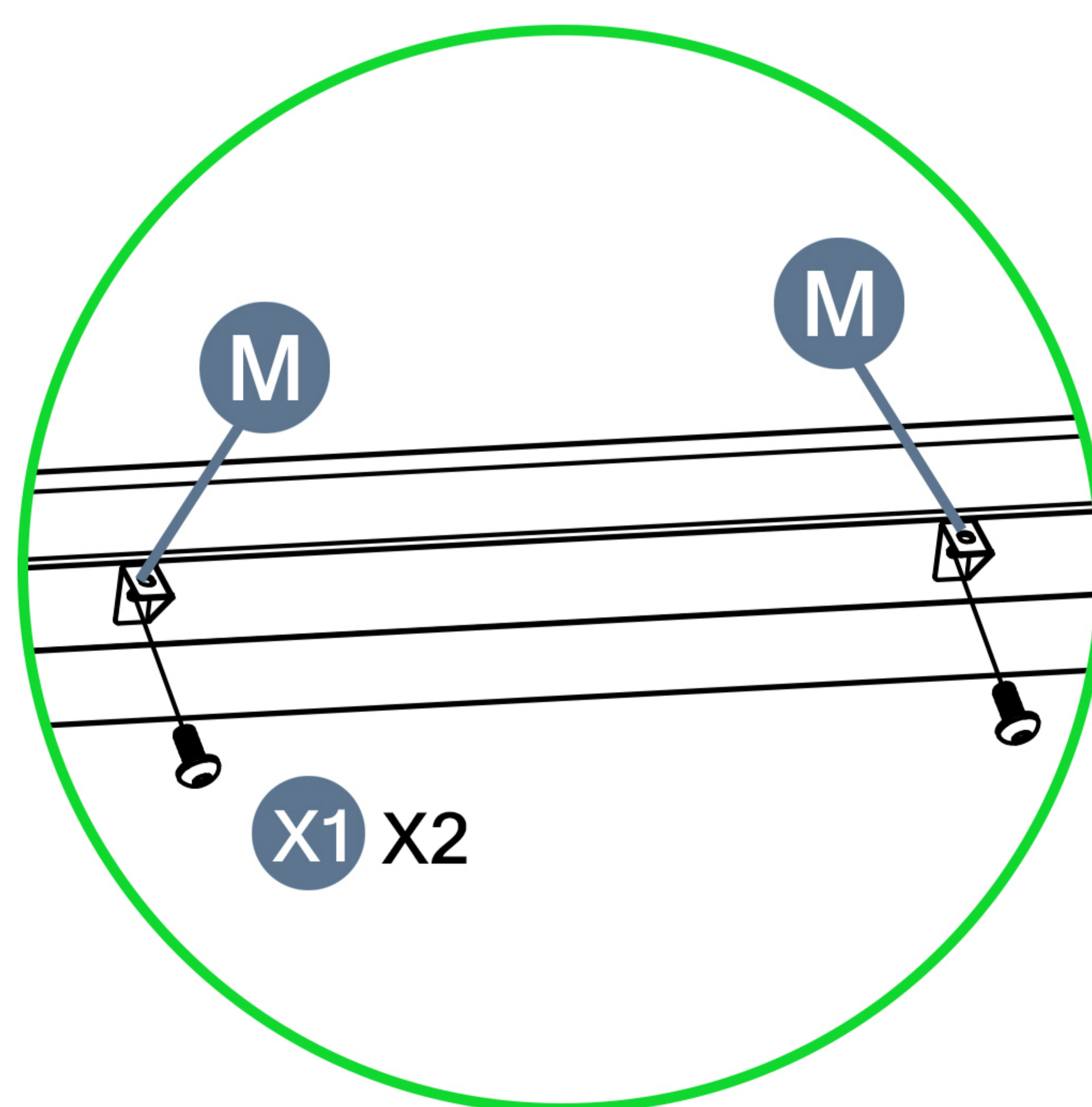
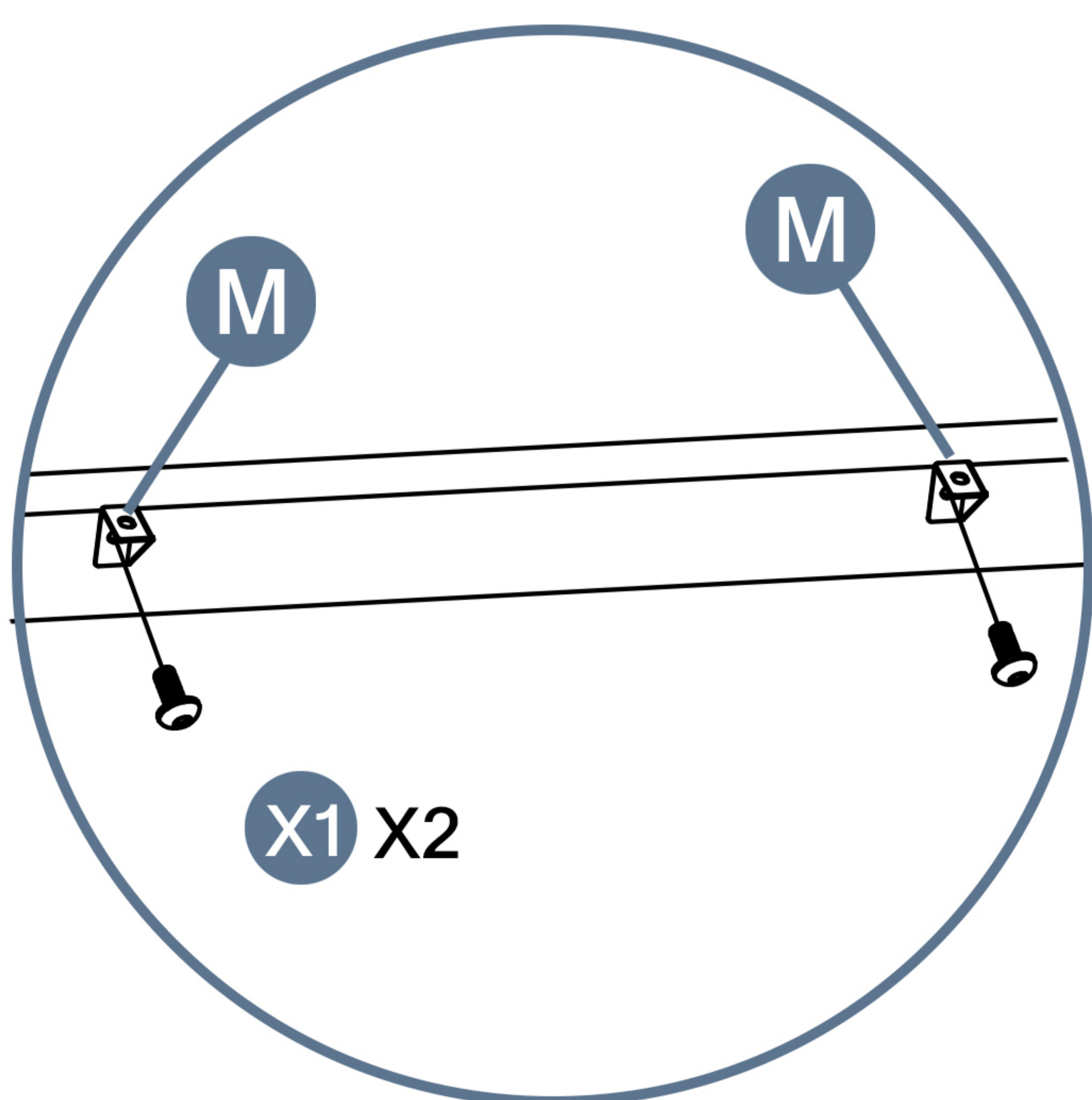
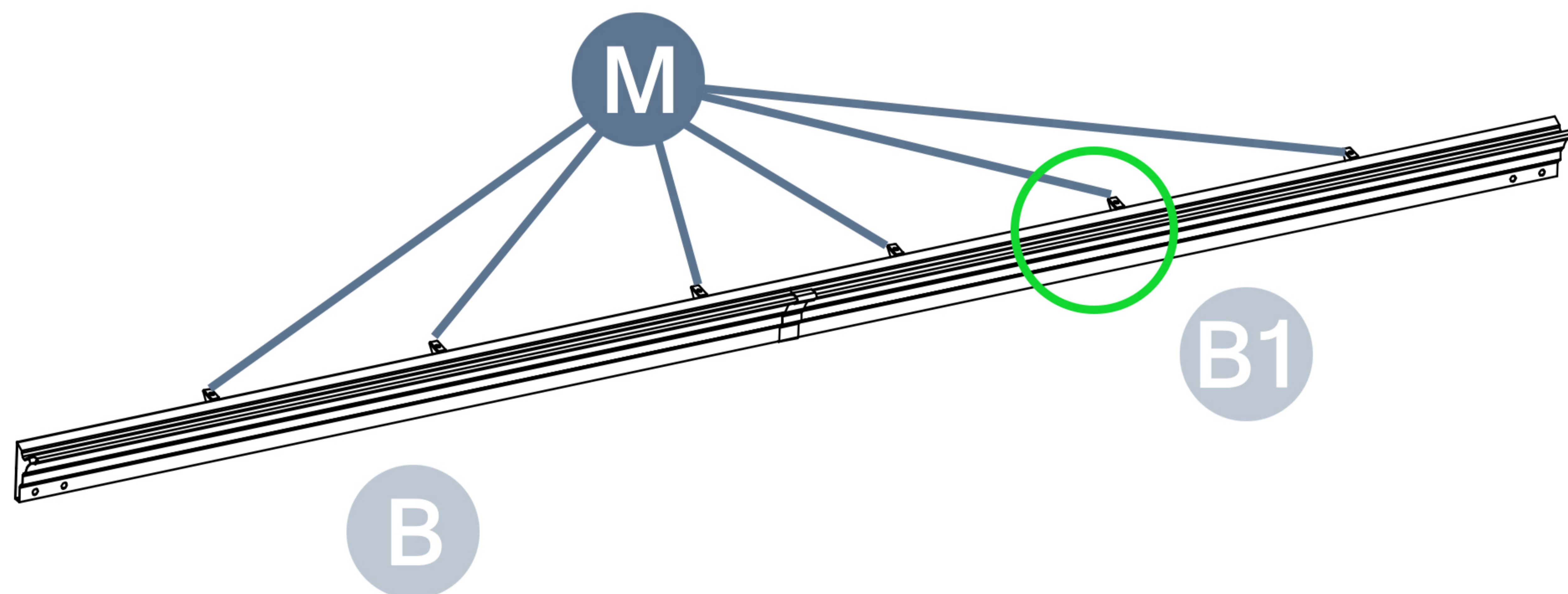
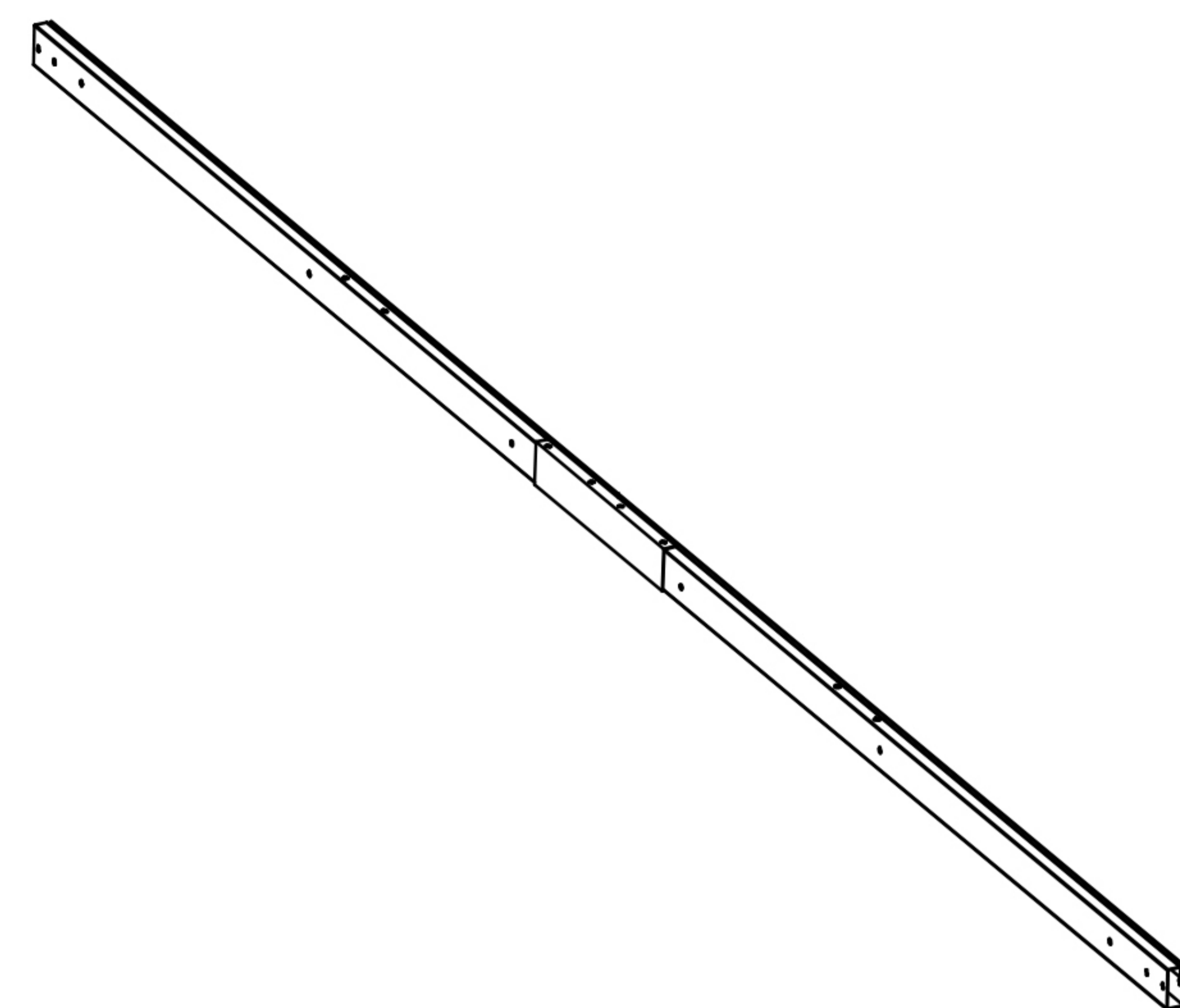
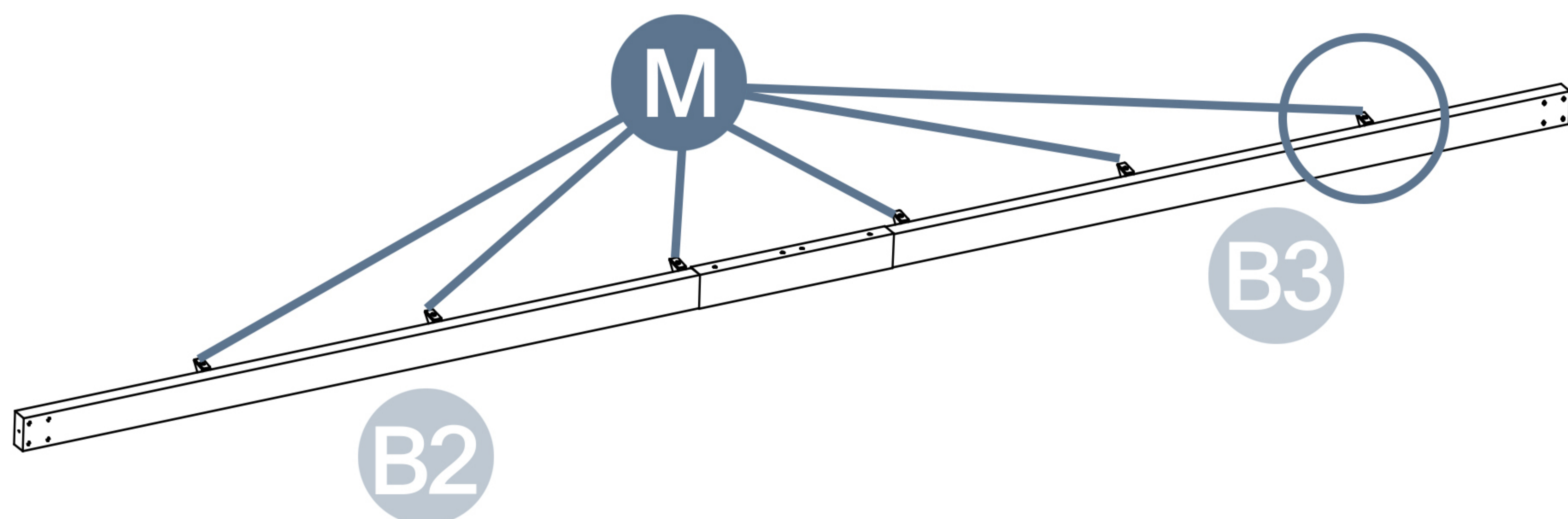
Parts required



M 12pcs



X1 12pcs



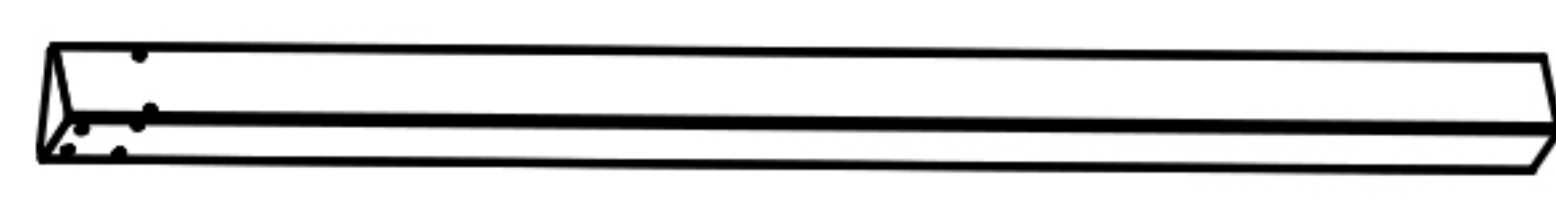
Keep all parts! For missing parts or installation issues, contact us.



E-mail: cs.helper01@gmail.com

STEP 5

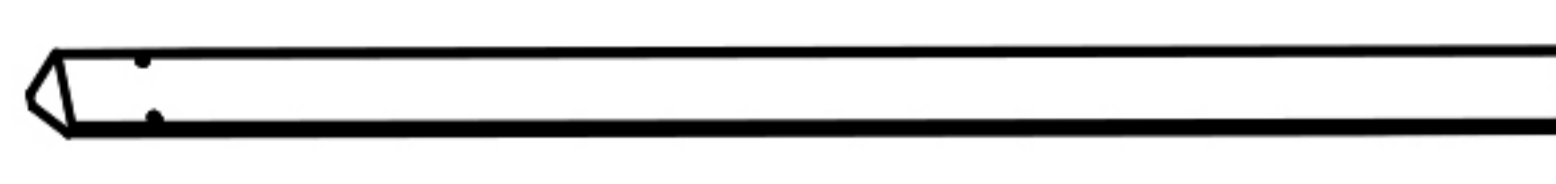
Parts required



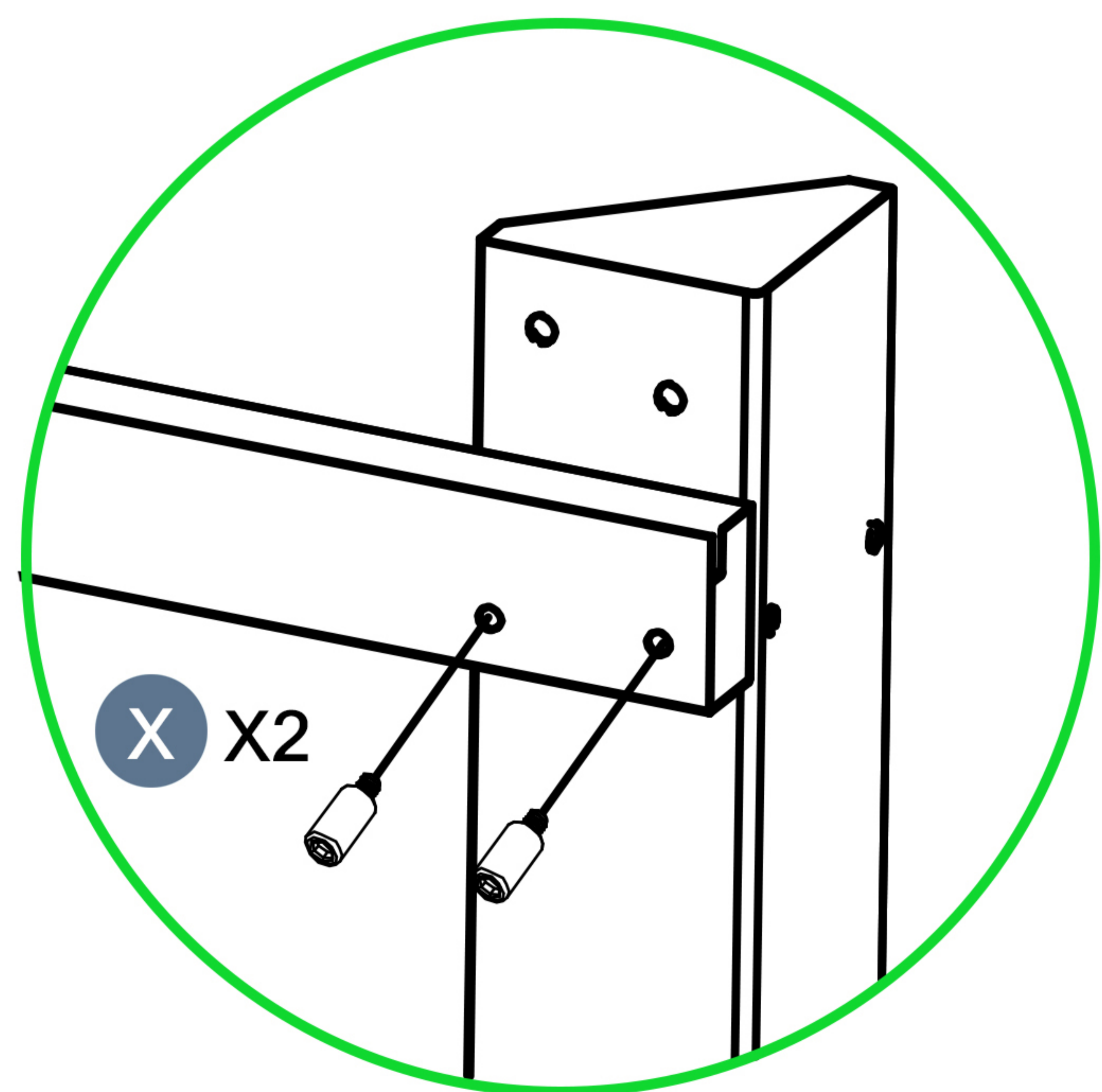
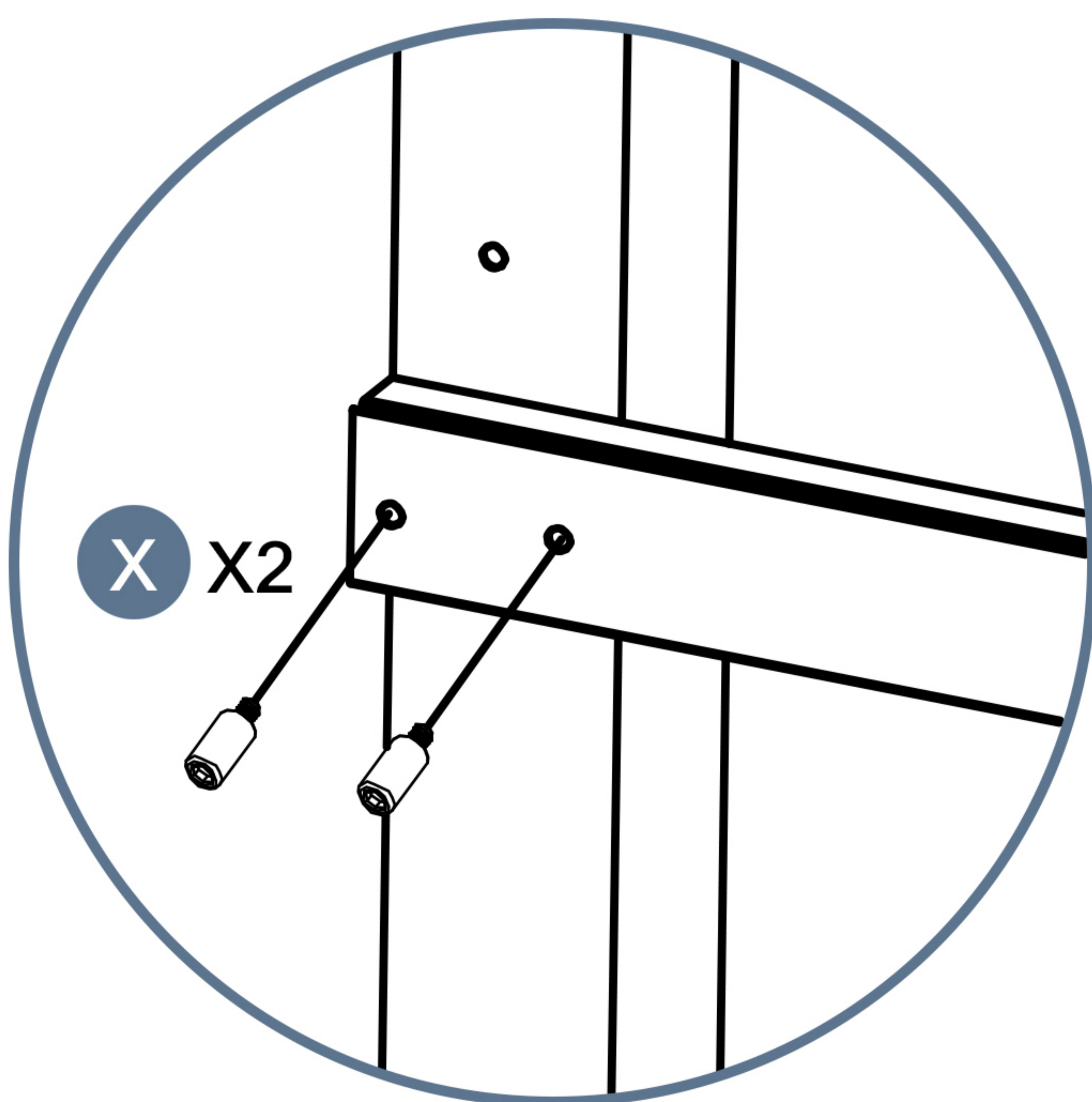
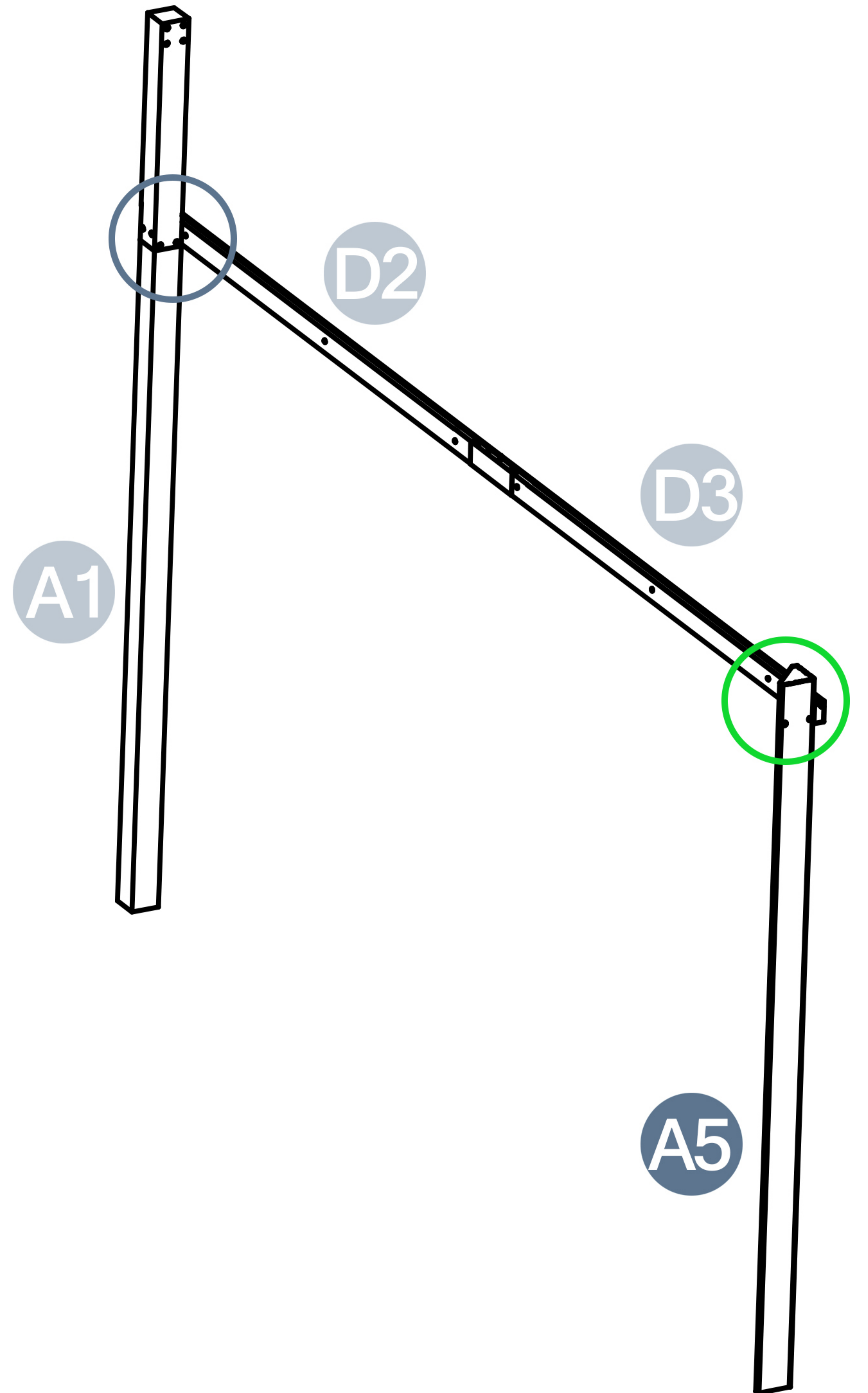
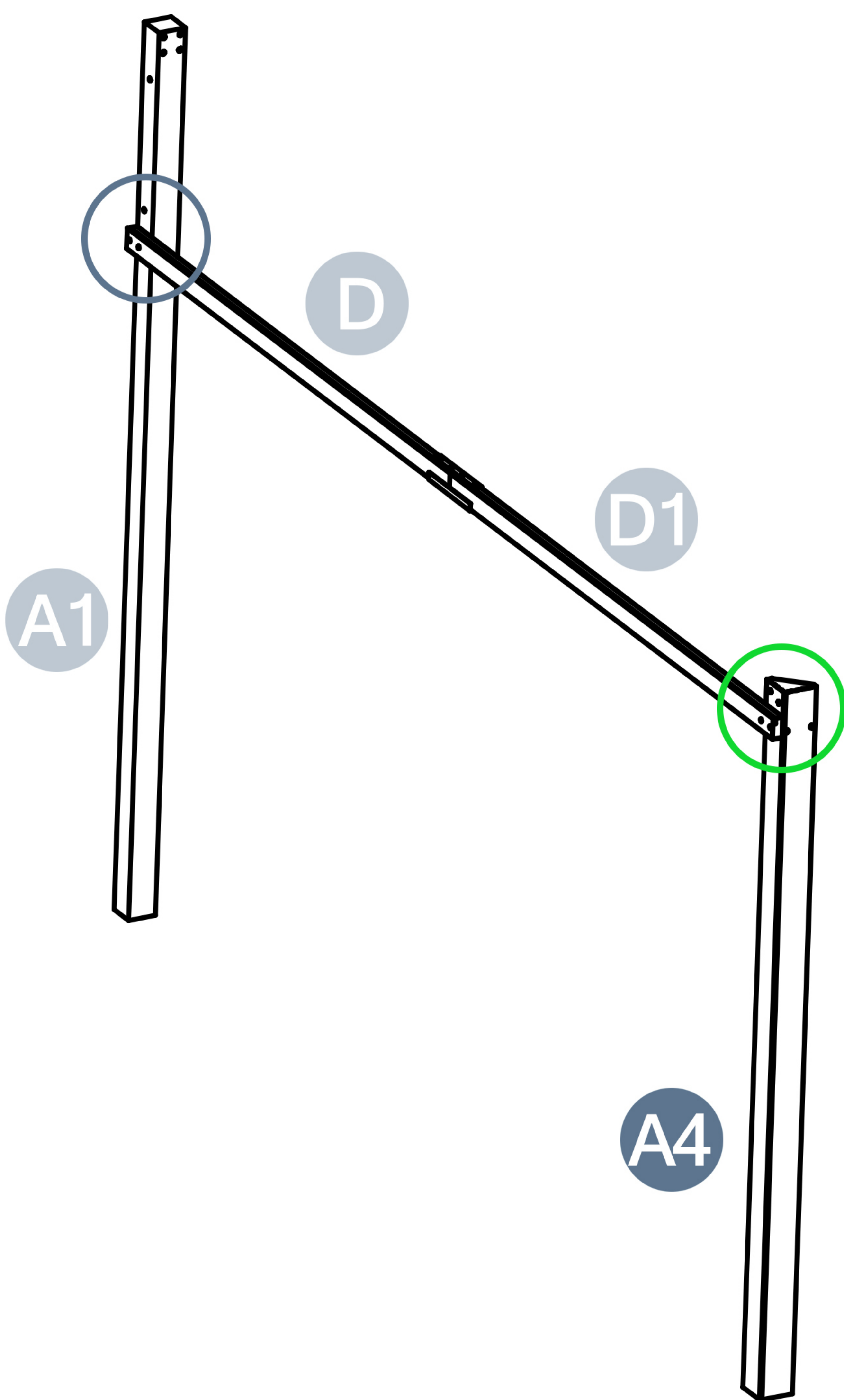
A4 1pcs



X 8pcs



A5 1pcs



! Keep all parts! For missing parts or installation issues, contact us.

➔ ✉ E-mail: cs.helper01@gmail.com


STEP 6

Parts required

 X 8pcs

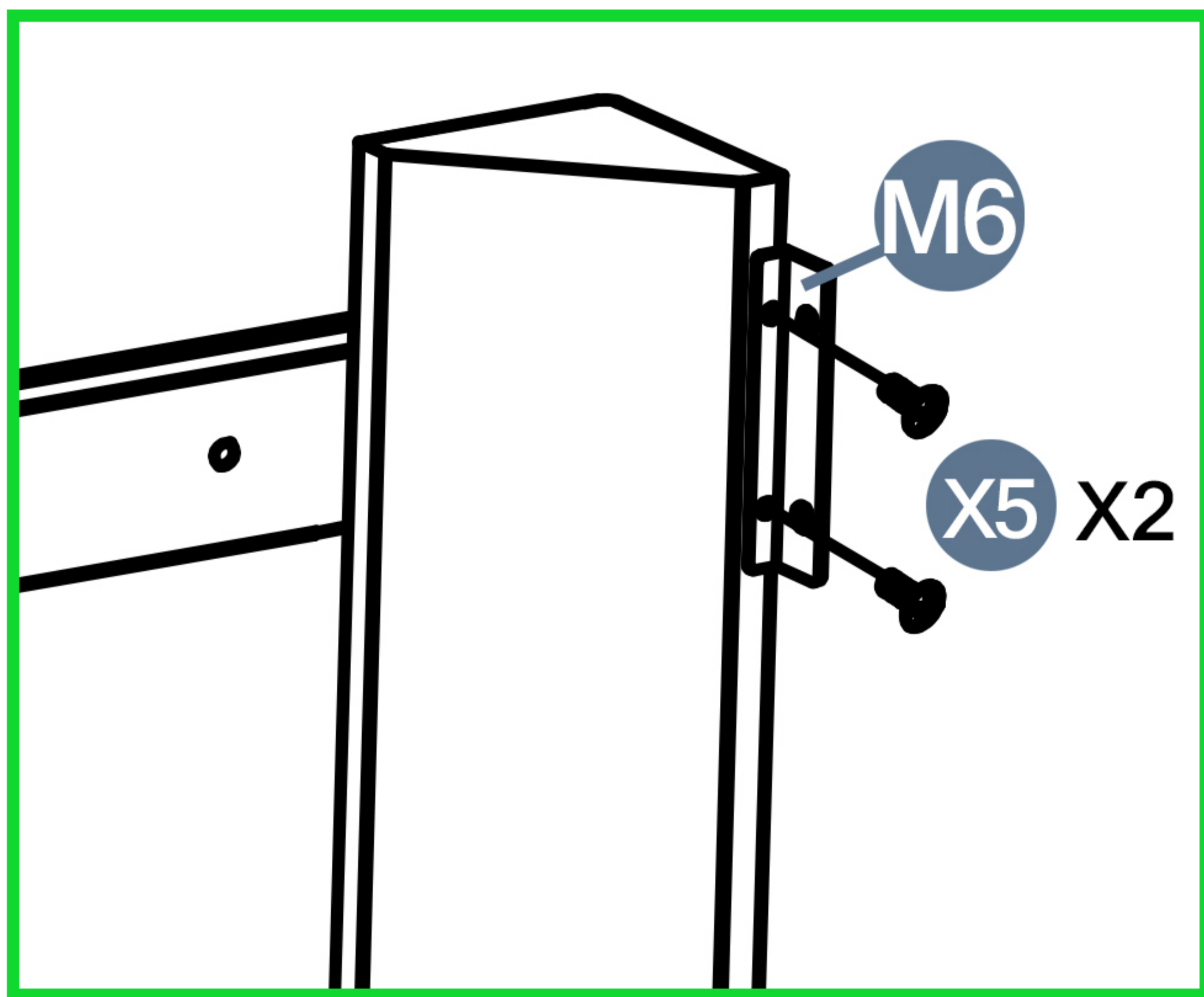
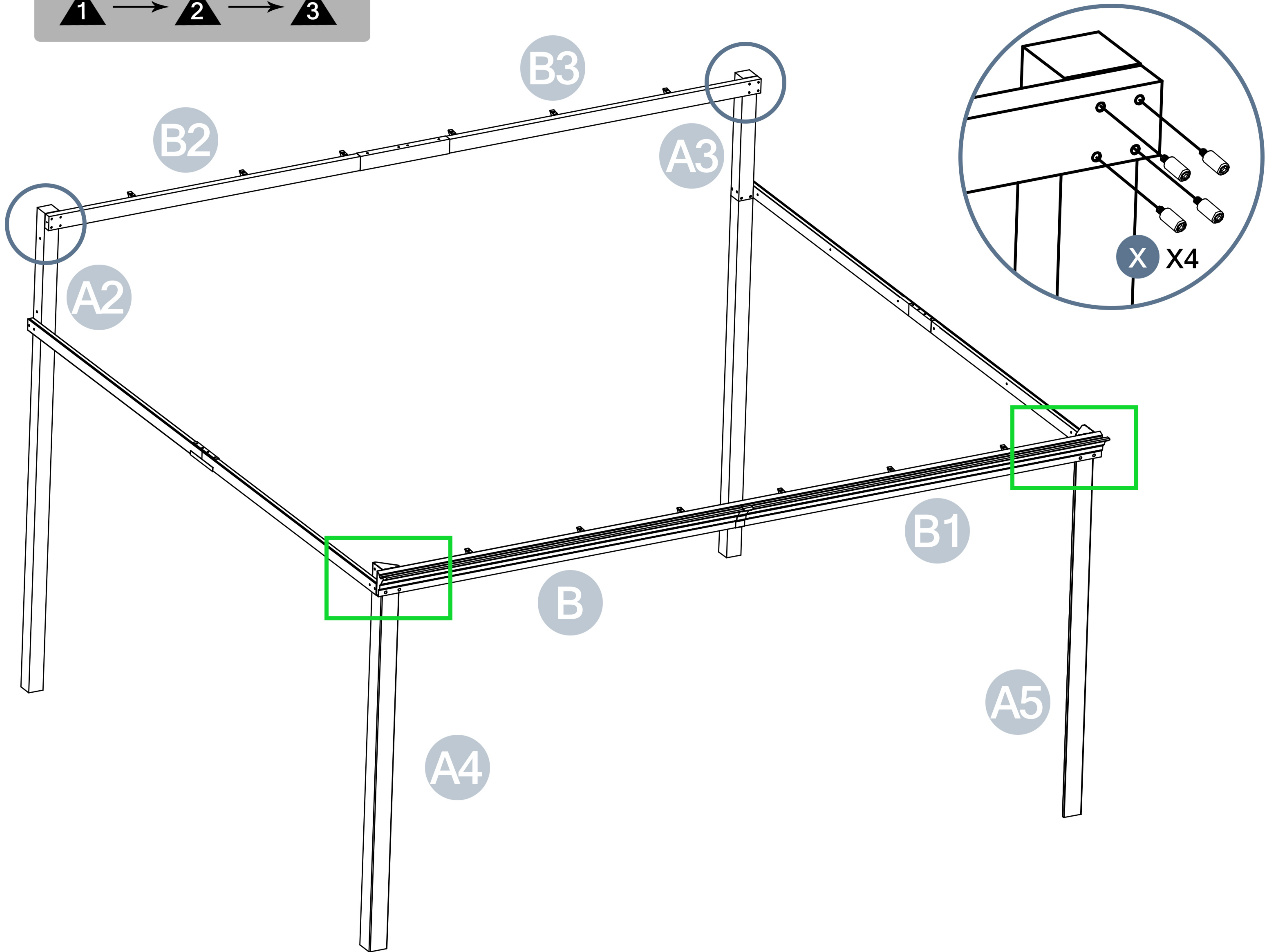
 X1 4pcs

 X5 4pcs

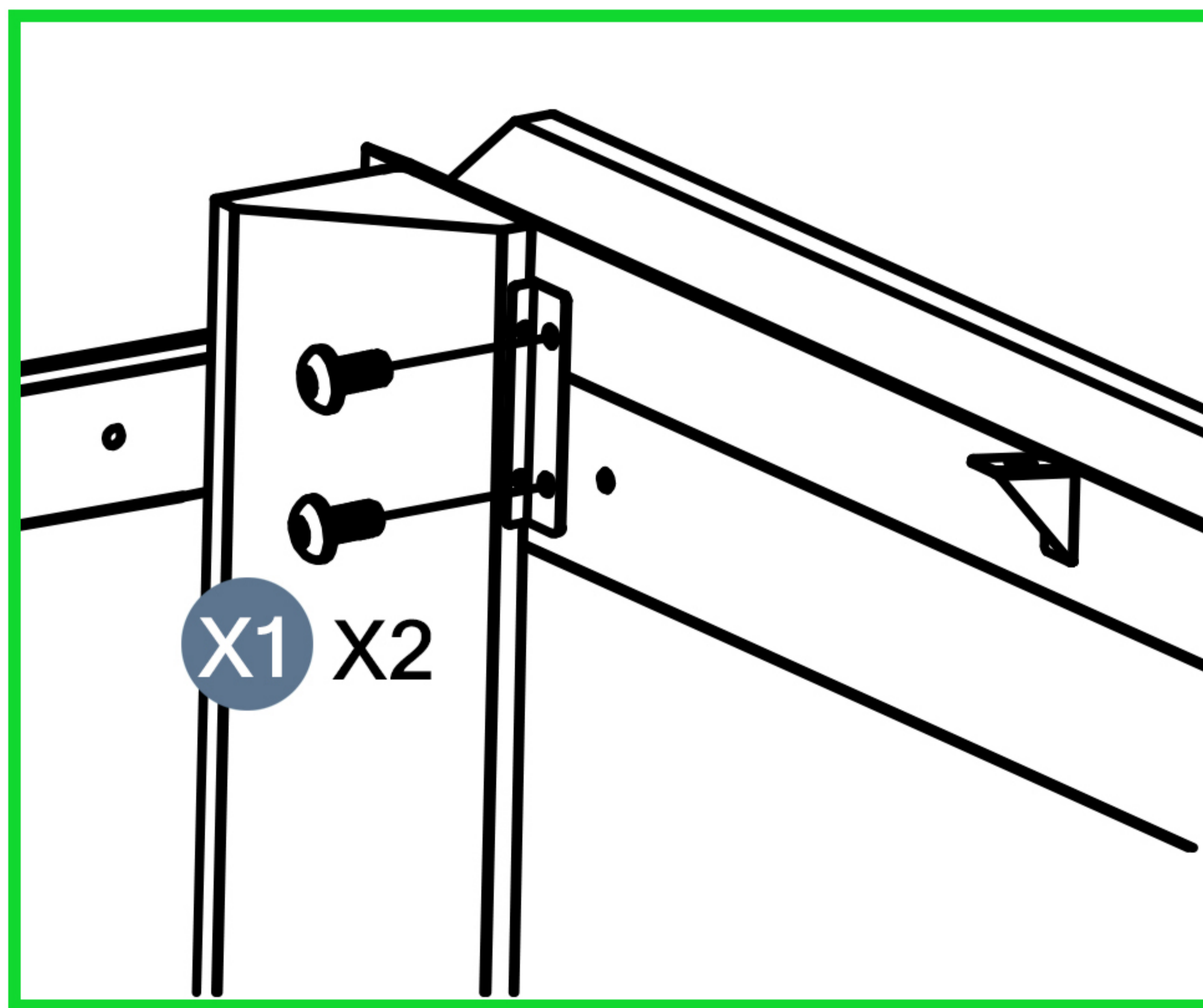
 X7 4pcs

 M6 2pcs

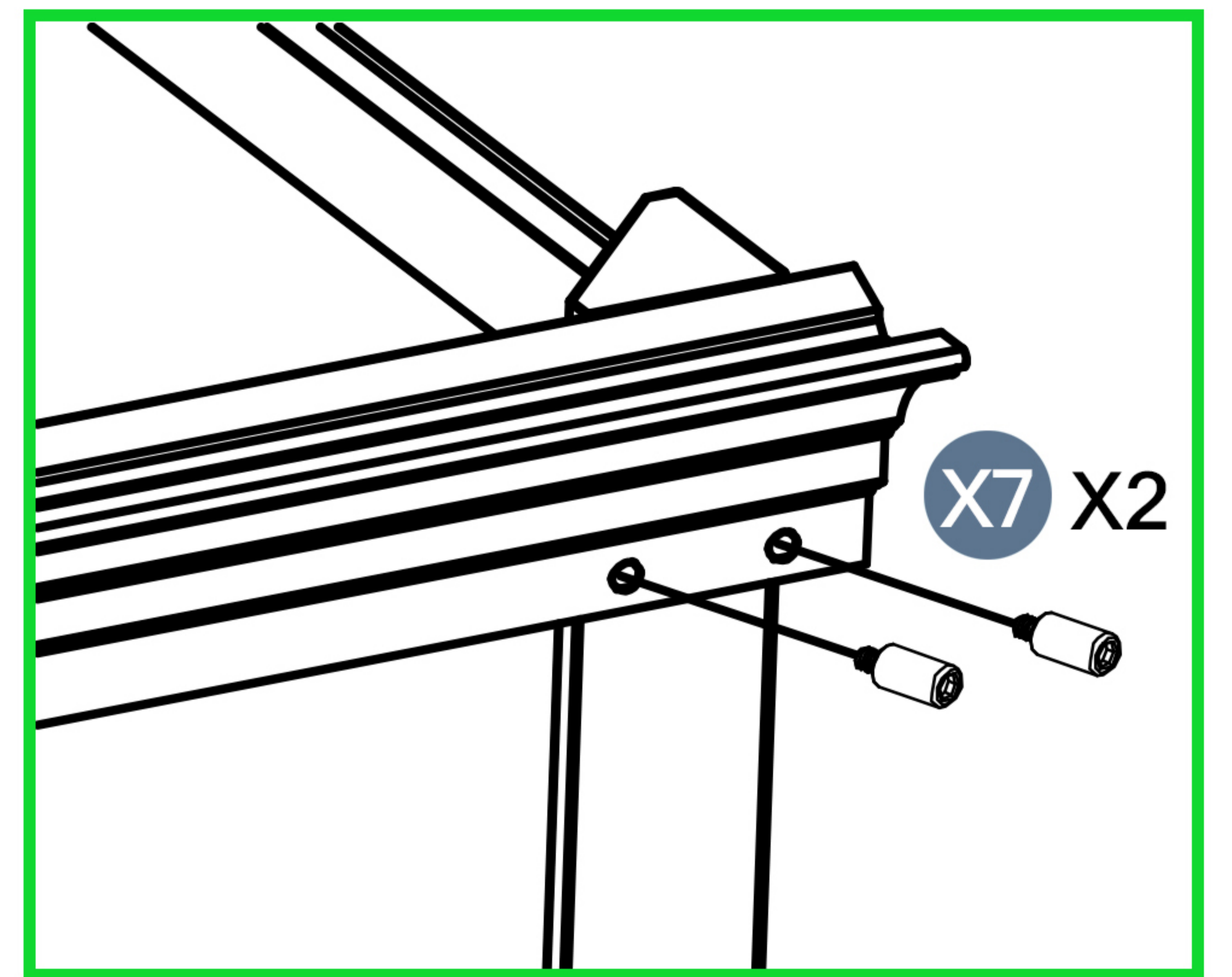
1 → 2 → 3



1



2



3



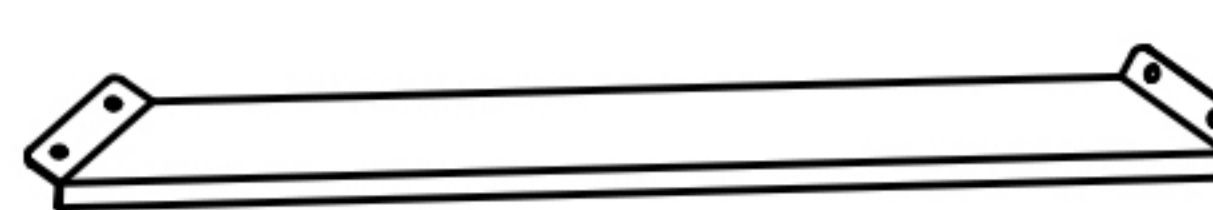
Keep all parts! For missing parts or installation issues, contact us.



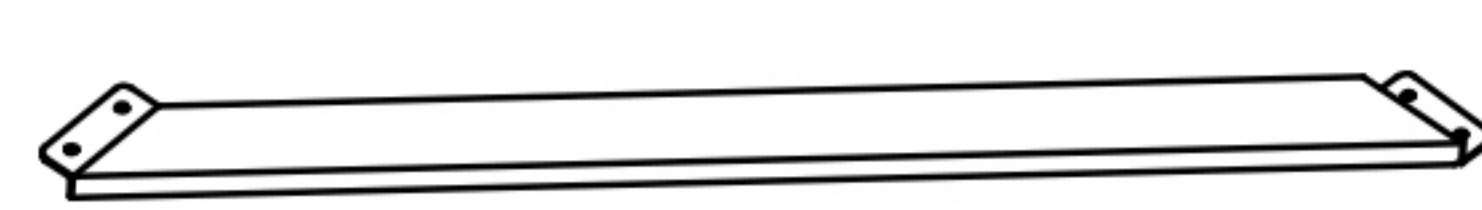
E-mail: cs.helper01@gmail.com

STEP 7

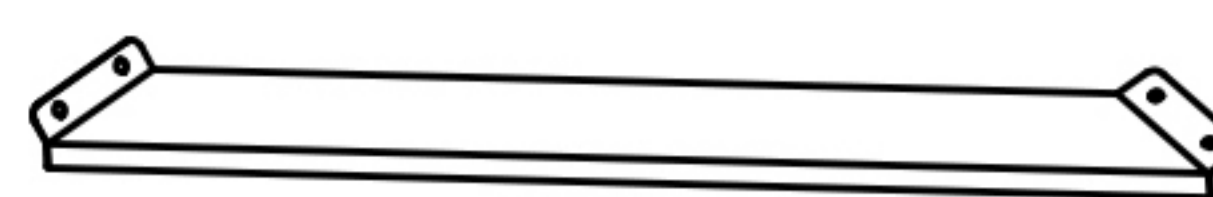
Parts required



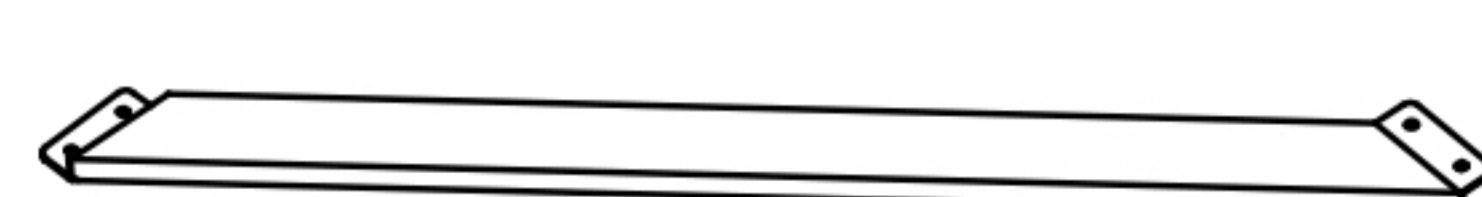
F 2pcs



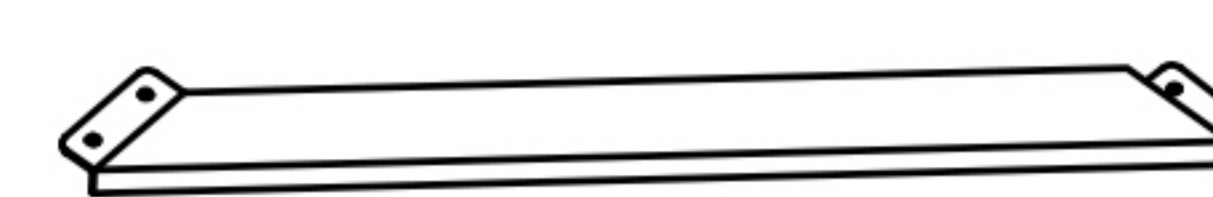
F4 1pcs



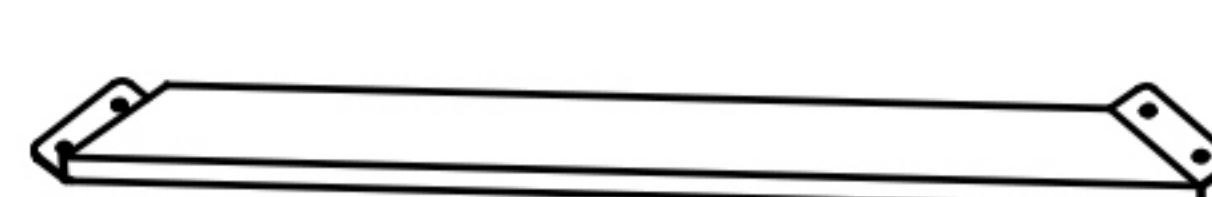
F1 2pcs



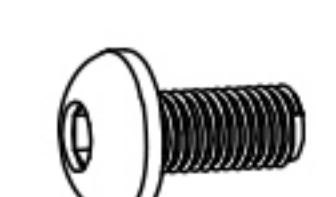
F5 1pcs



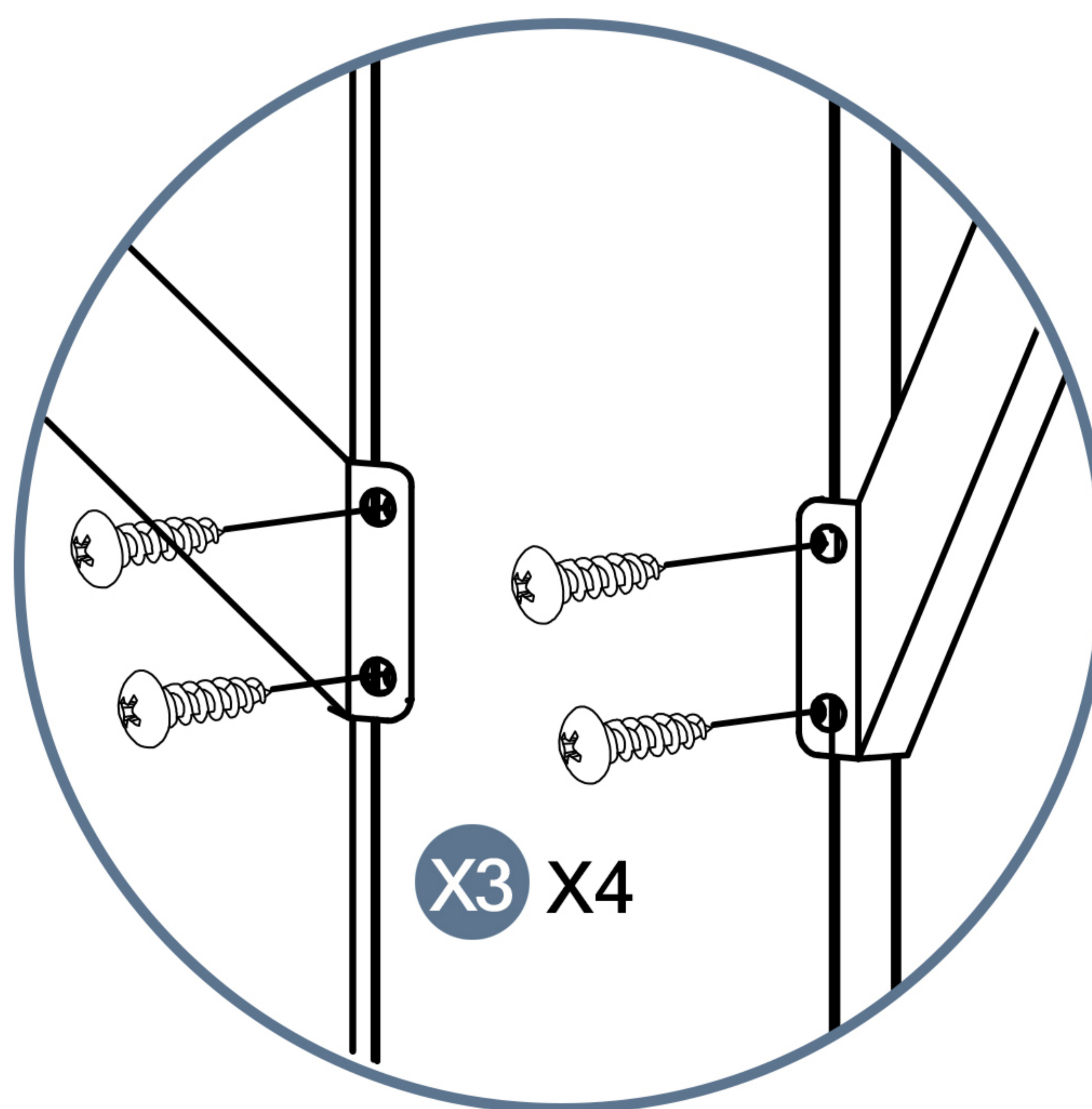
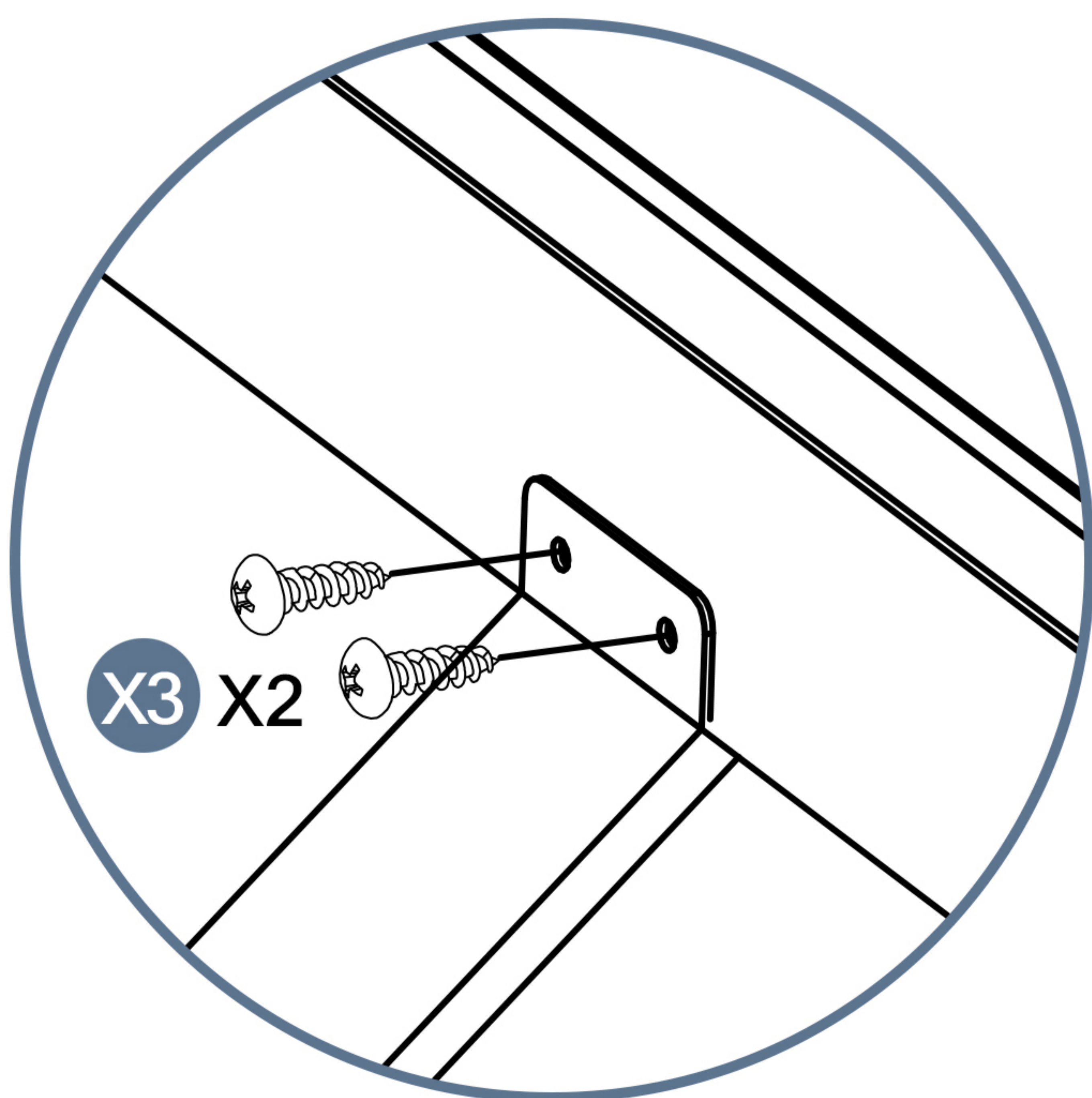
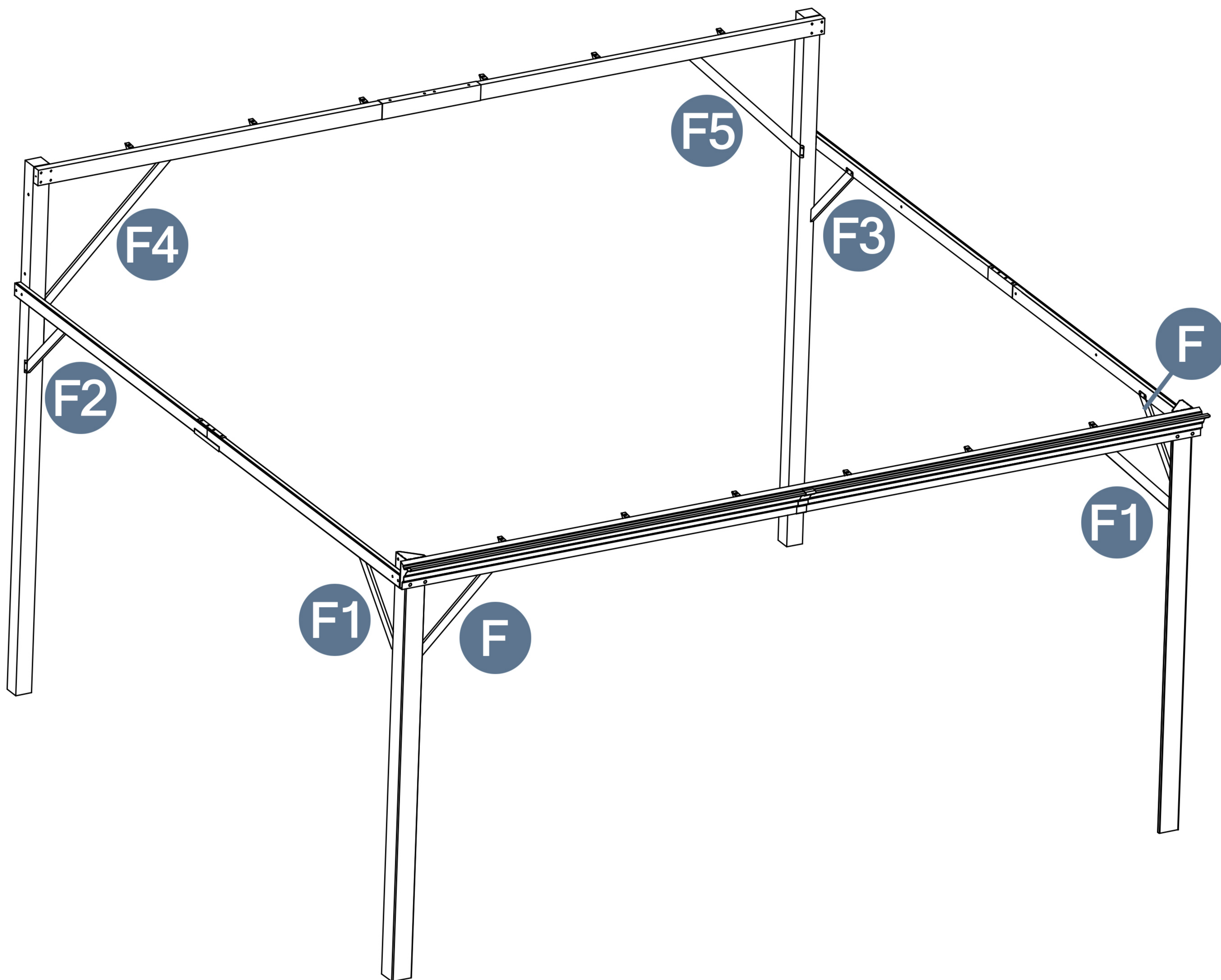
F2 1pcs



F3 1pcs



X3 32pcs

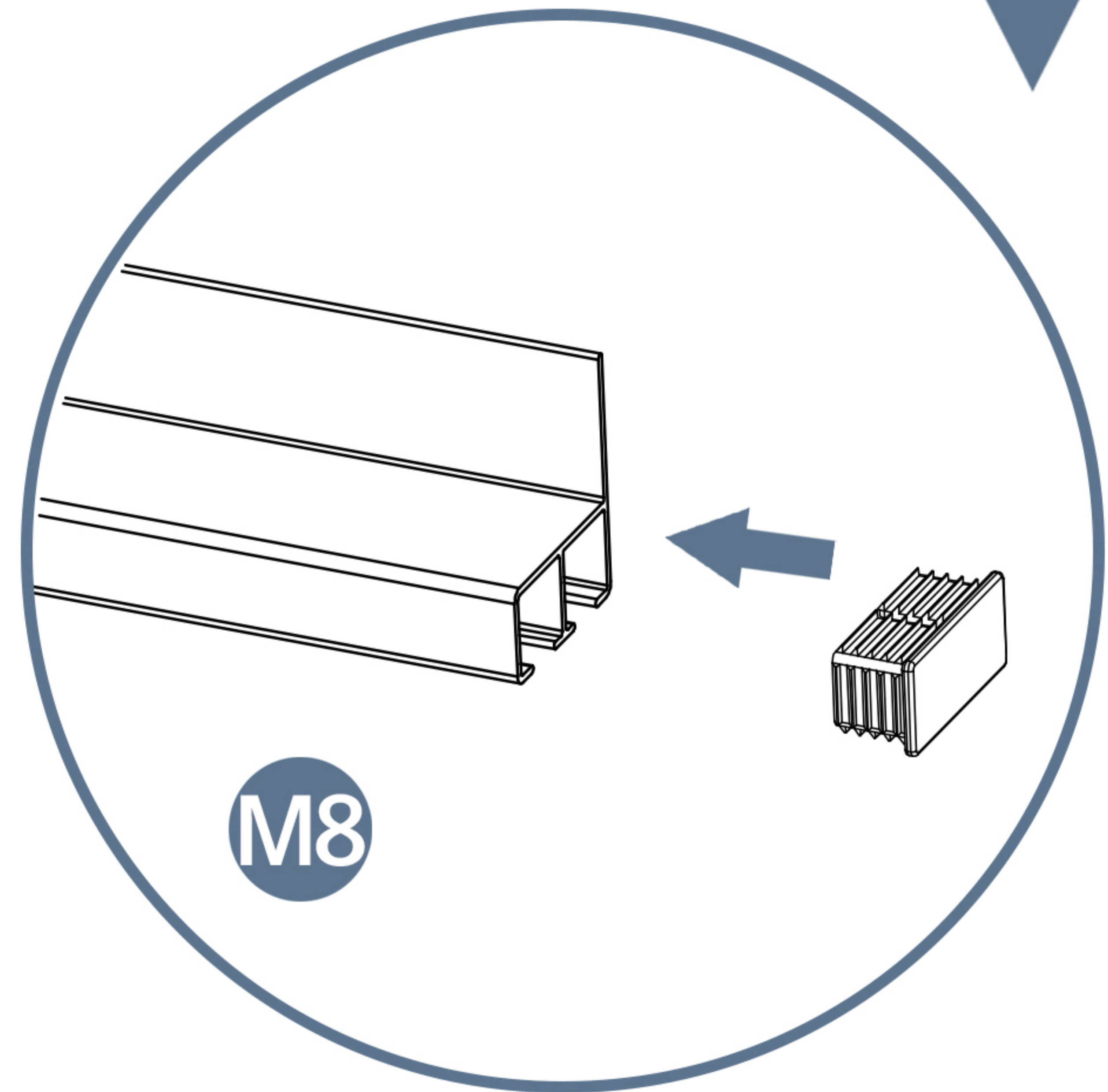
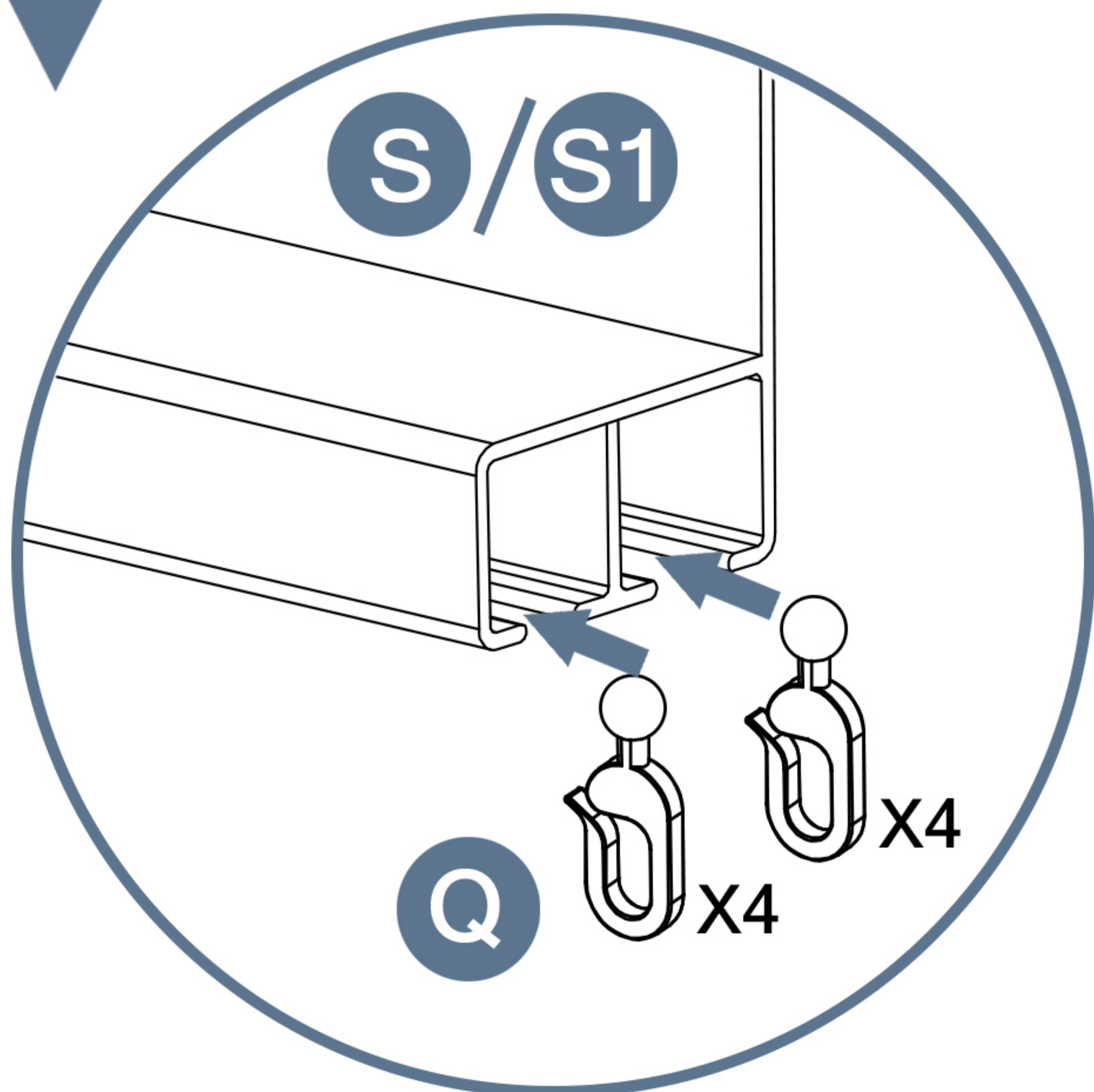
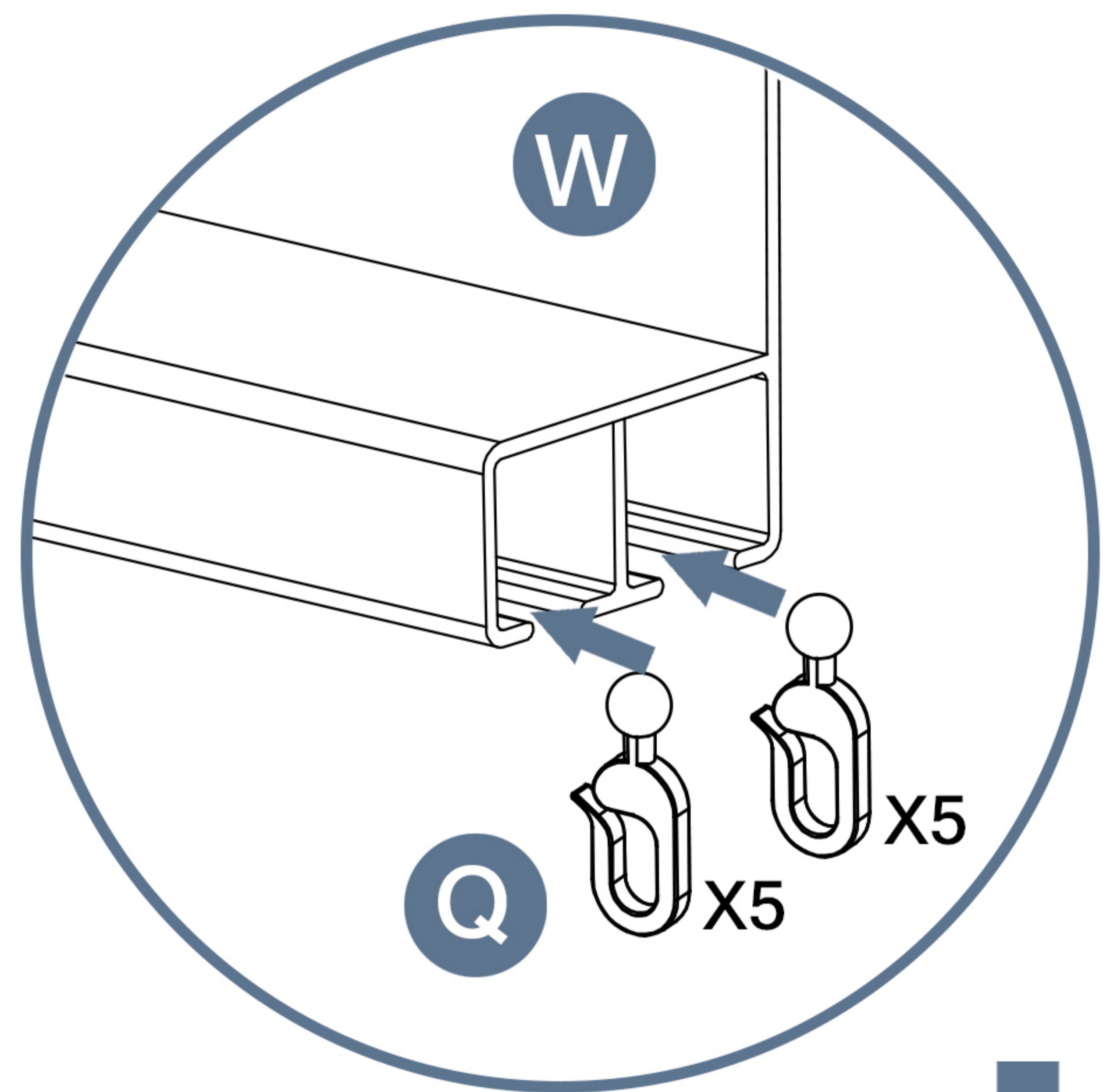
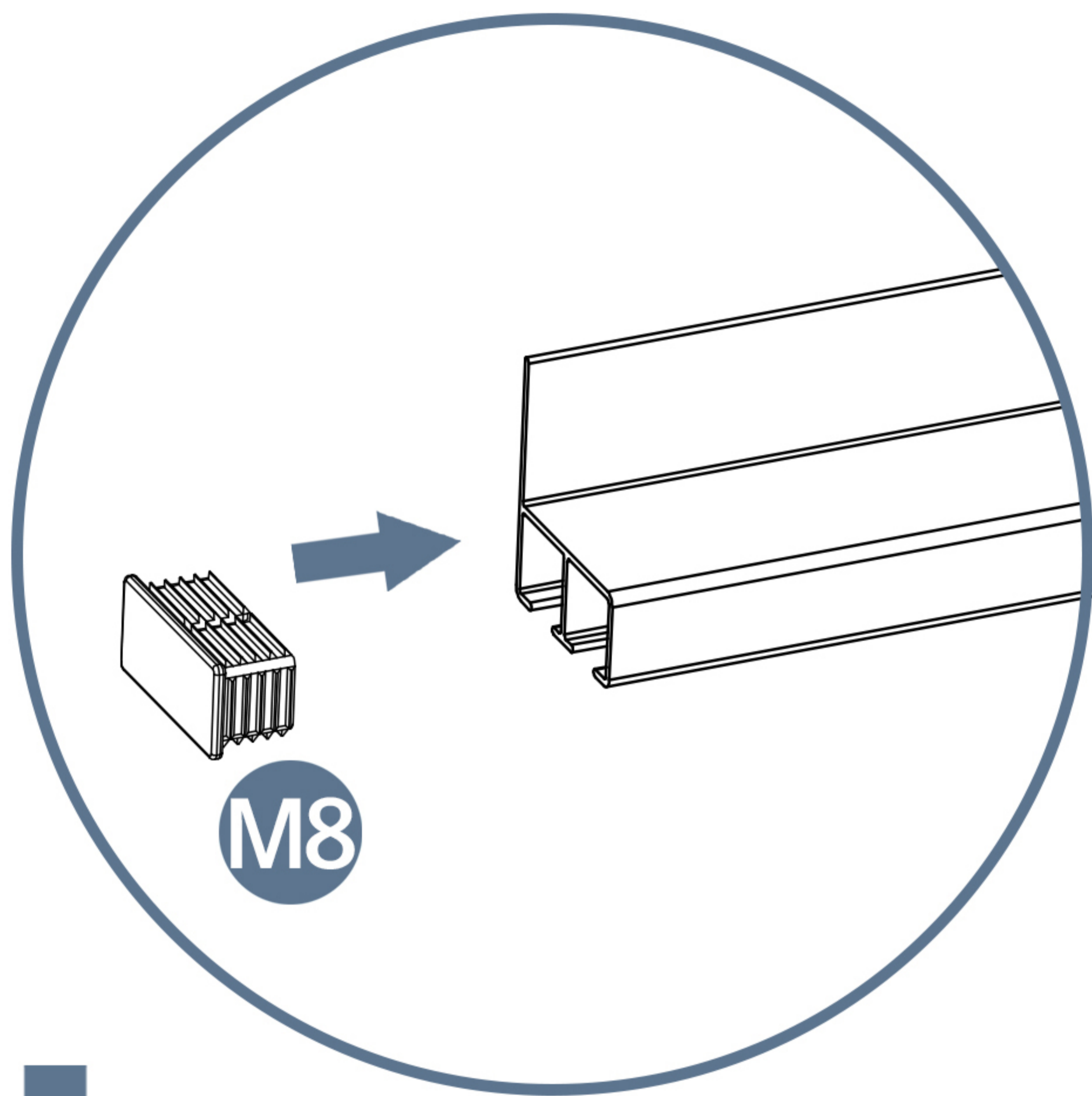
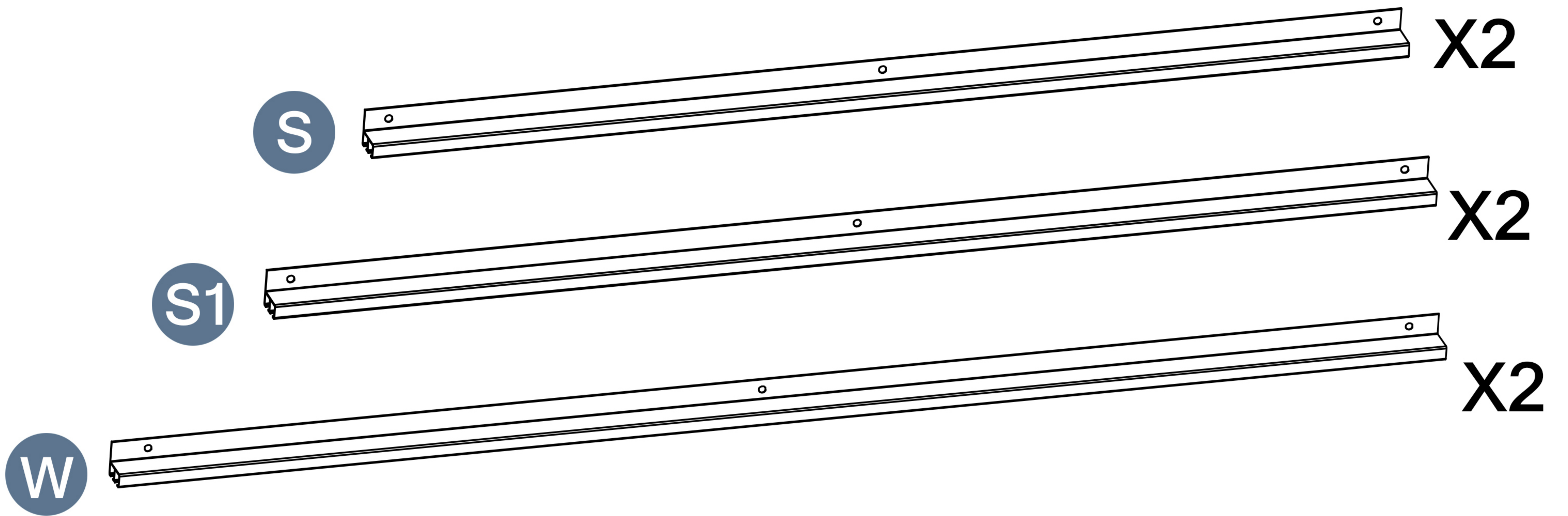
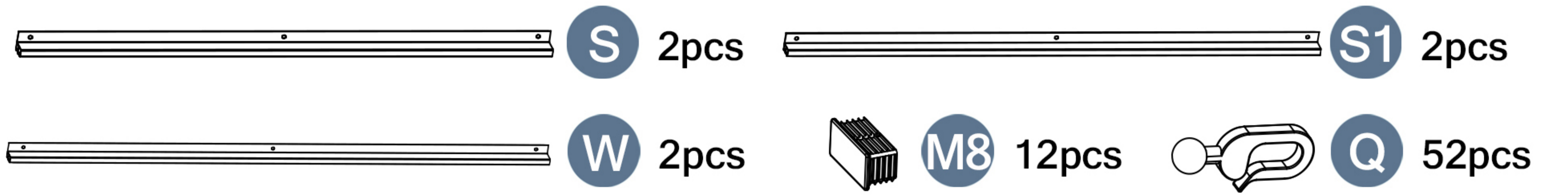


! Keep all parts! For missing parts or installation issues, contact us.

➔ ✉ E-mail: cs.helper01@gmail.com

STEP 8

Parts required



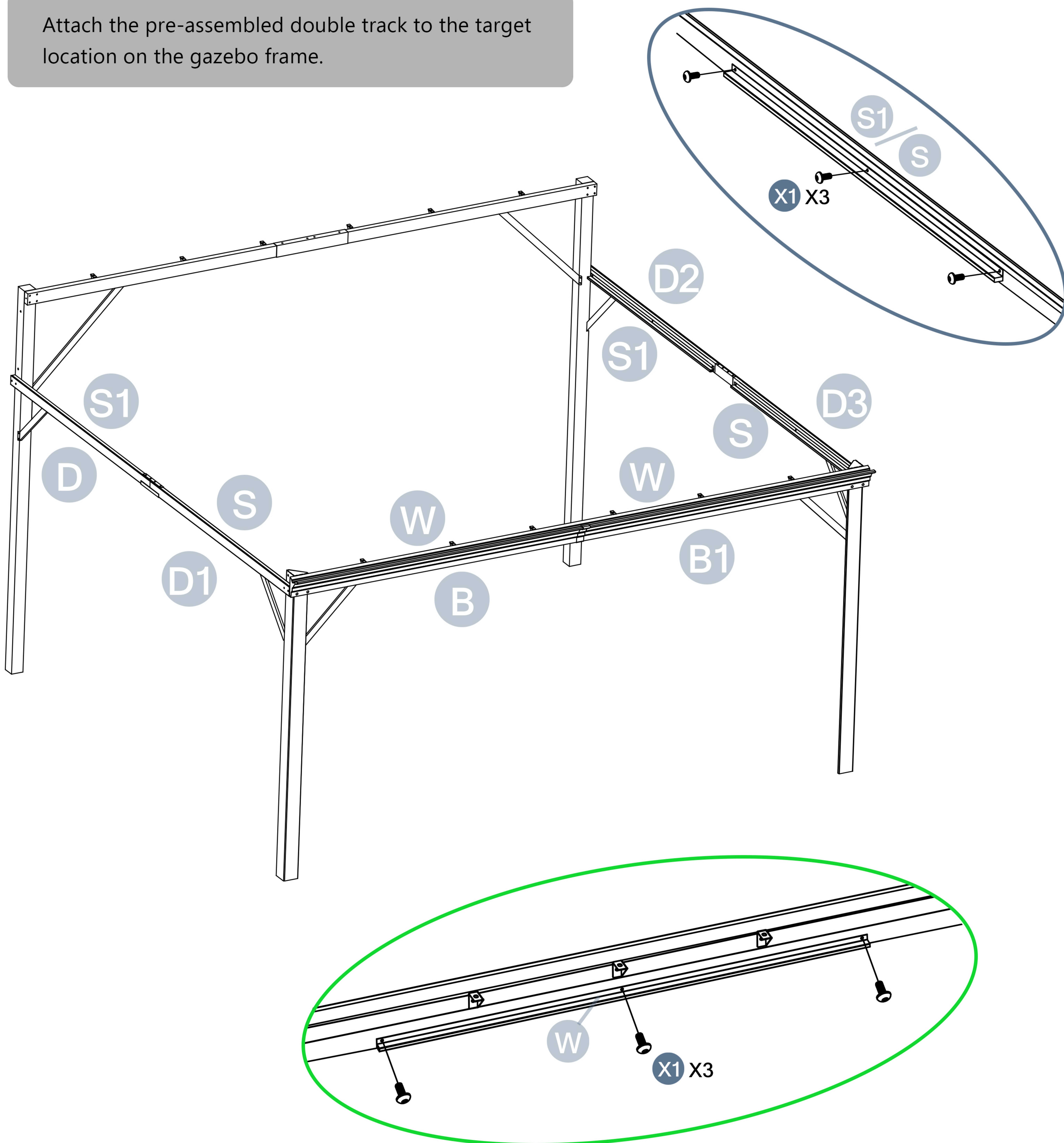
⚠ Hook in the Q first, then install the M8.

STEP 9

Parts required

 X1 18pcs

Attach the pre-assembled double track to the target location on the gazebo frame.

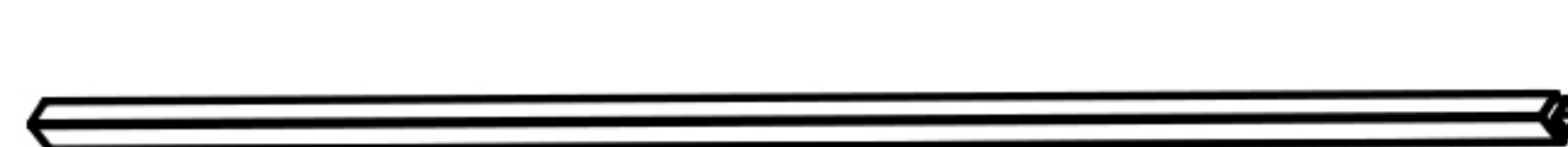
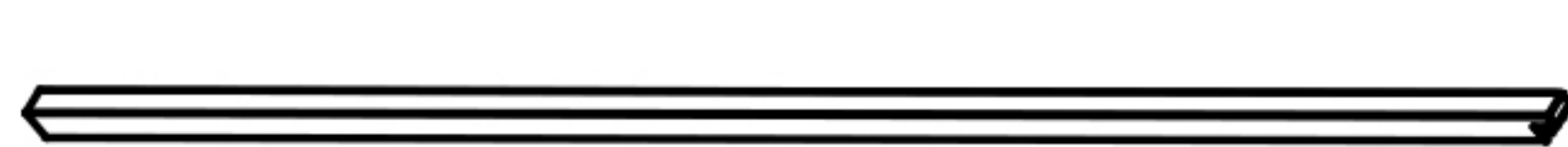


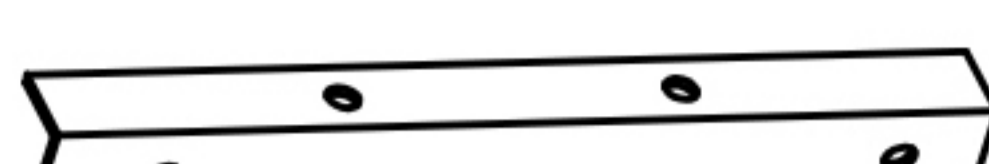



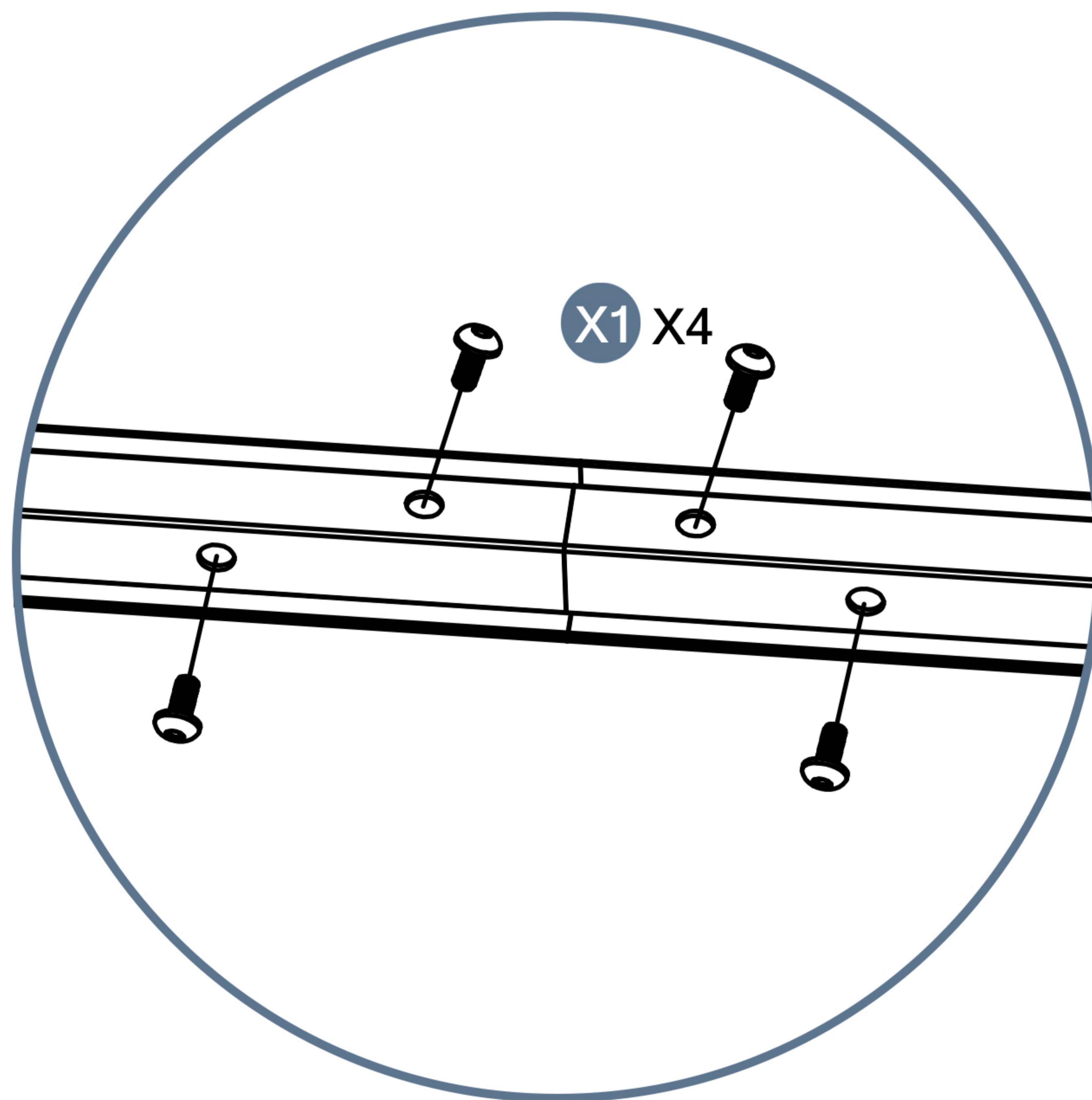
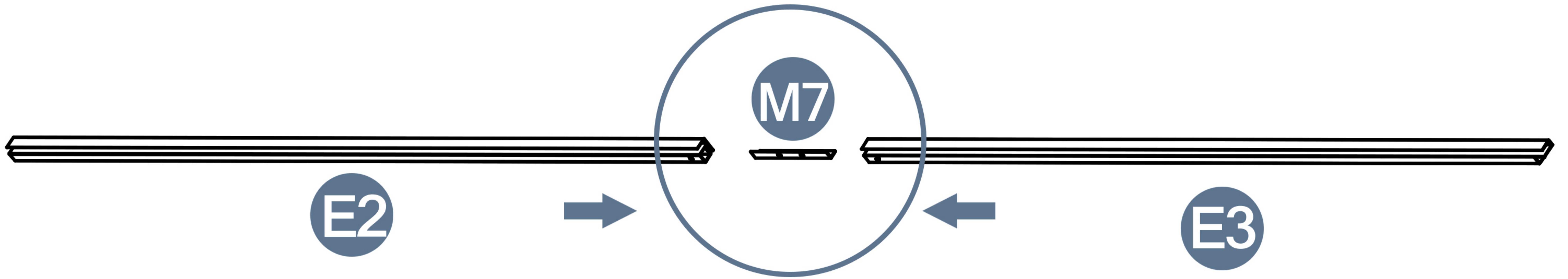
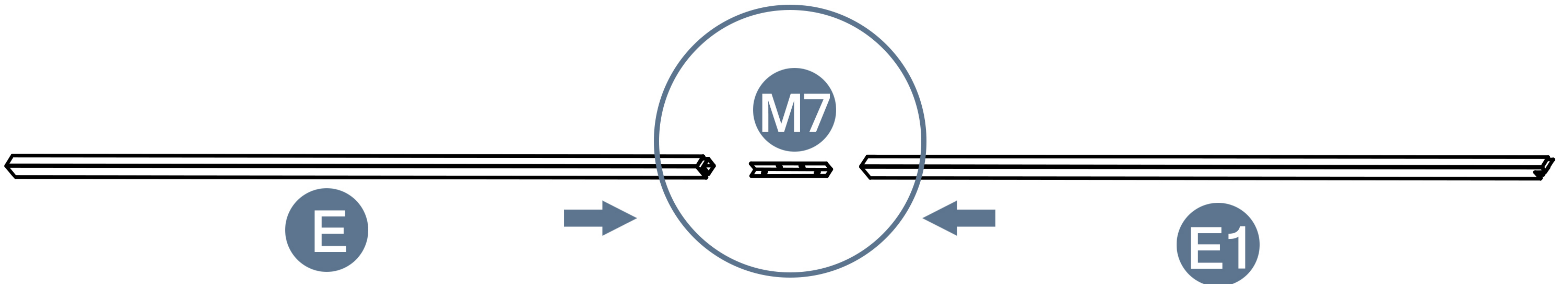
 Keep all parts! For missing parts or installation issues, contact us.

  E-mail: cs.helper01@gmail.com

STEP 10

Parts required

- | | |
|---|--|
|  E 1pcs |  E1 1pcs |
|  E2 1pcs |  E3 1pcs |
|  M7 2pcs |  X1 8pcs |



Keep all parts! For missing parts or installation issues, contact us.



E-mail: cs.helper01@gmail.com

STEP 11

Parts required



M2 2pcs



H1 1pcs



X 2pcs



M3 1pcs



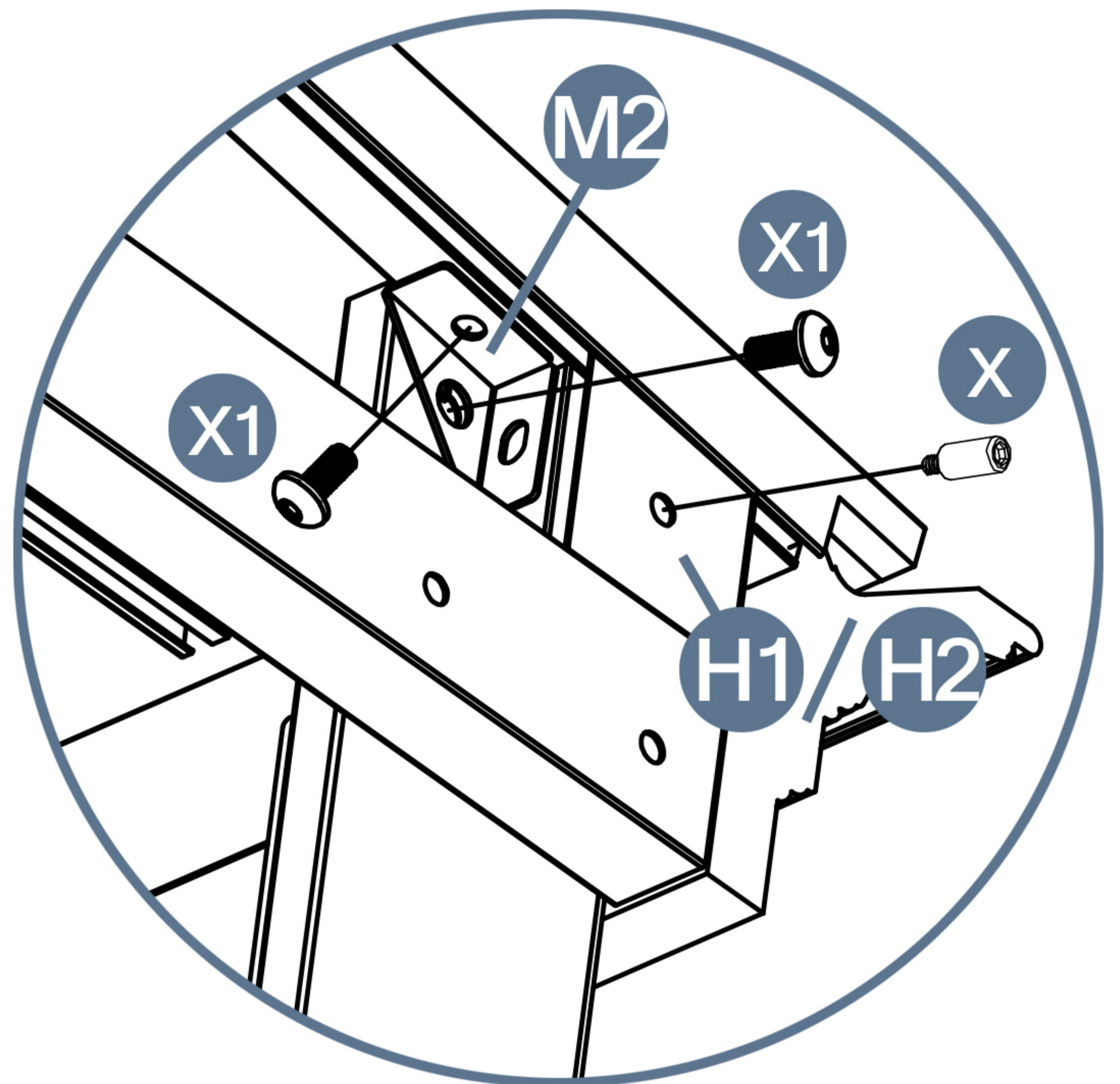
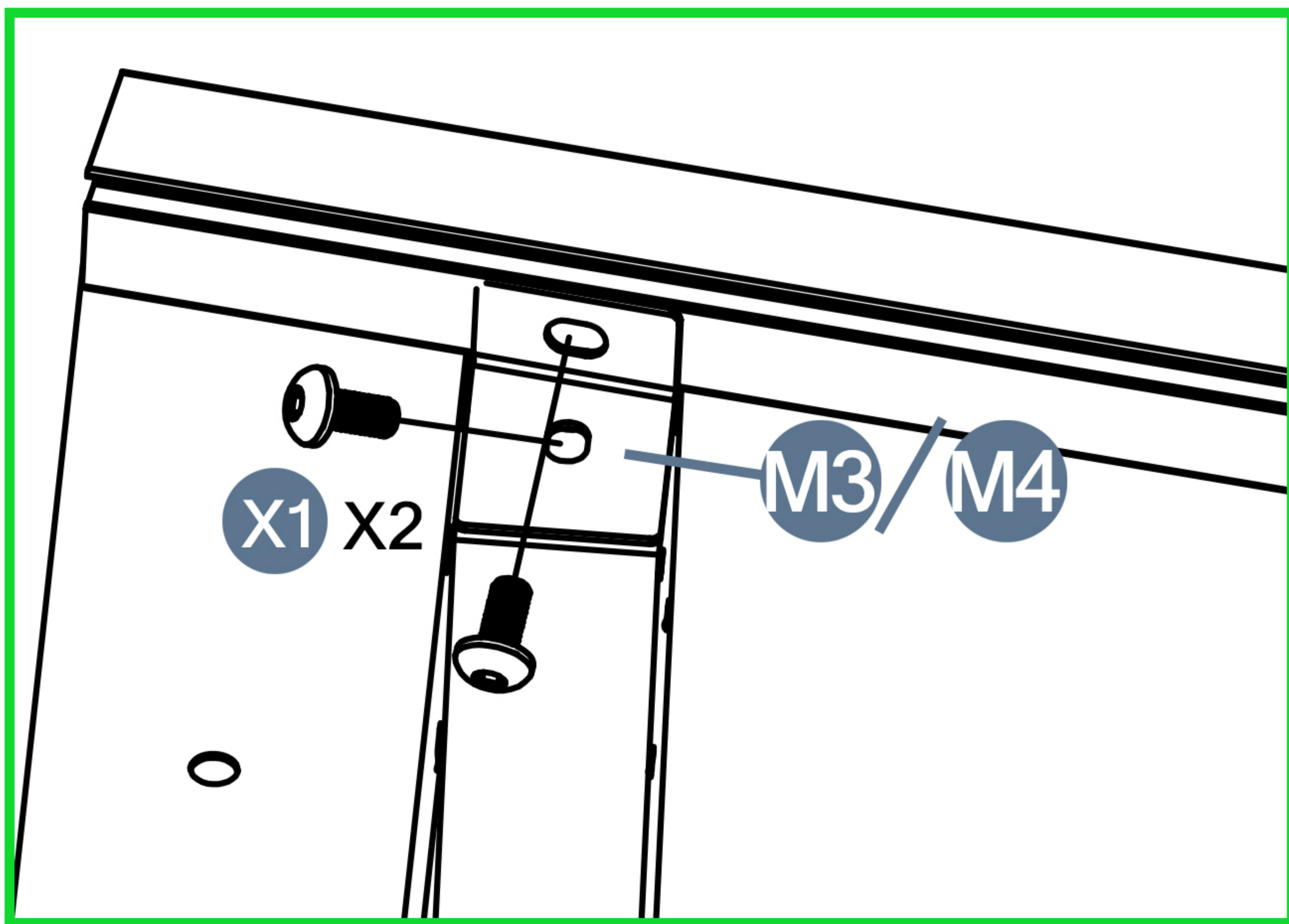
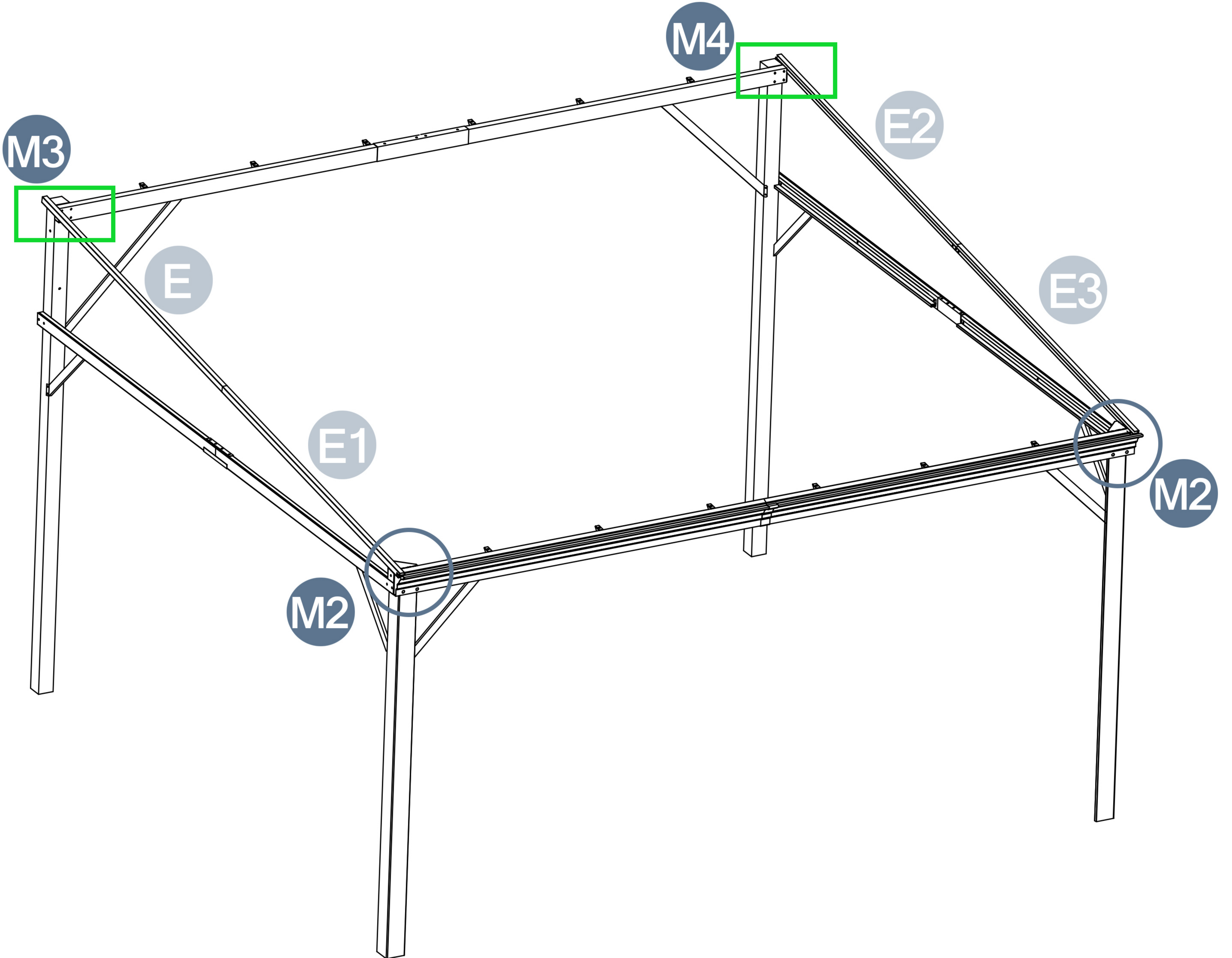
H2 1pcs



X1 8pcs



M4 1pcs

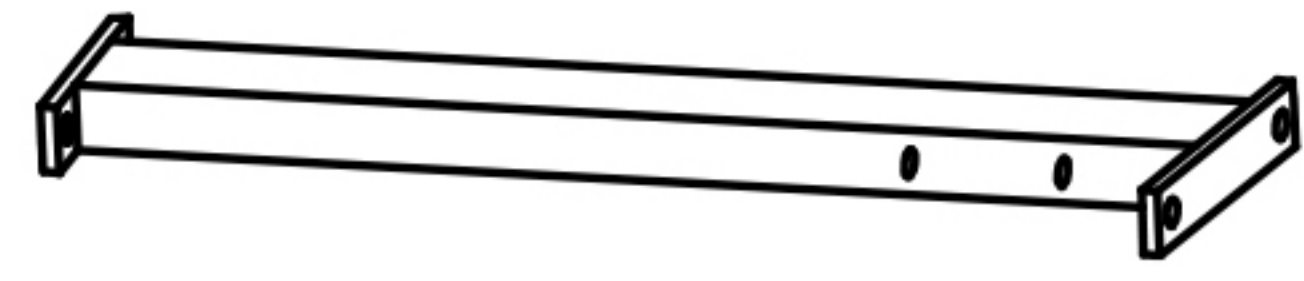


! Keep all parts! For missing parts or installation issues, contact us.

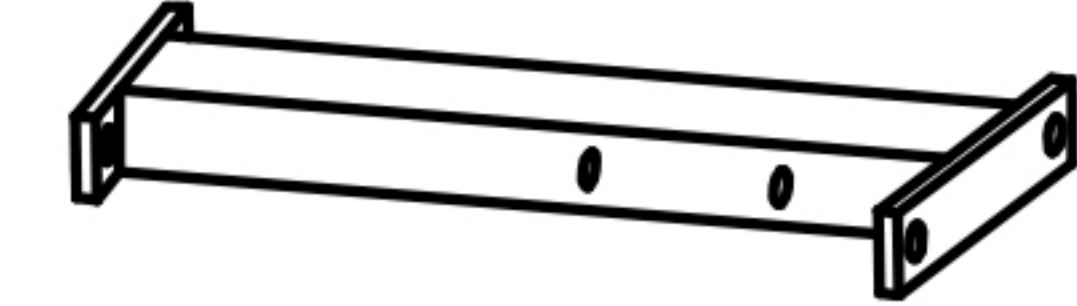
➔ ✉ E-mail: cs.helper01@gmail.com

STEP 12

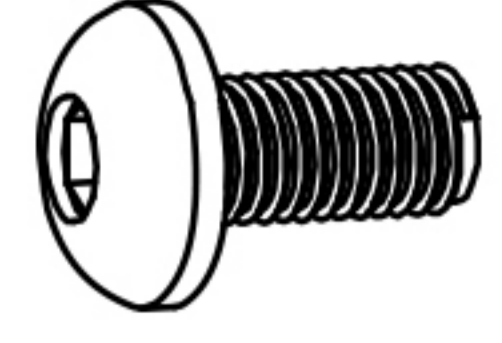
Parts required



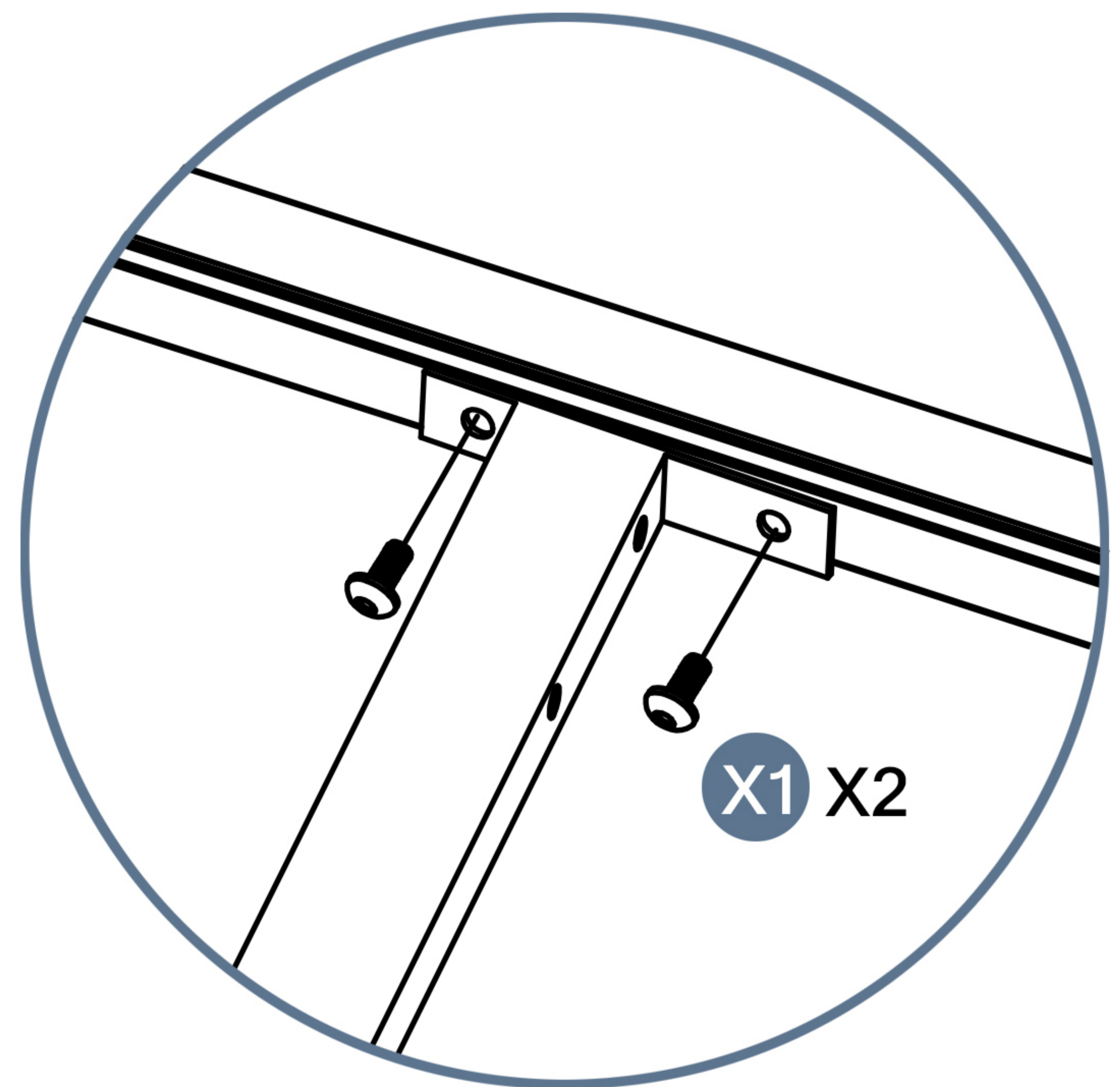
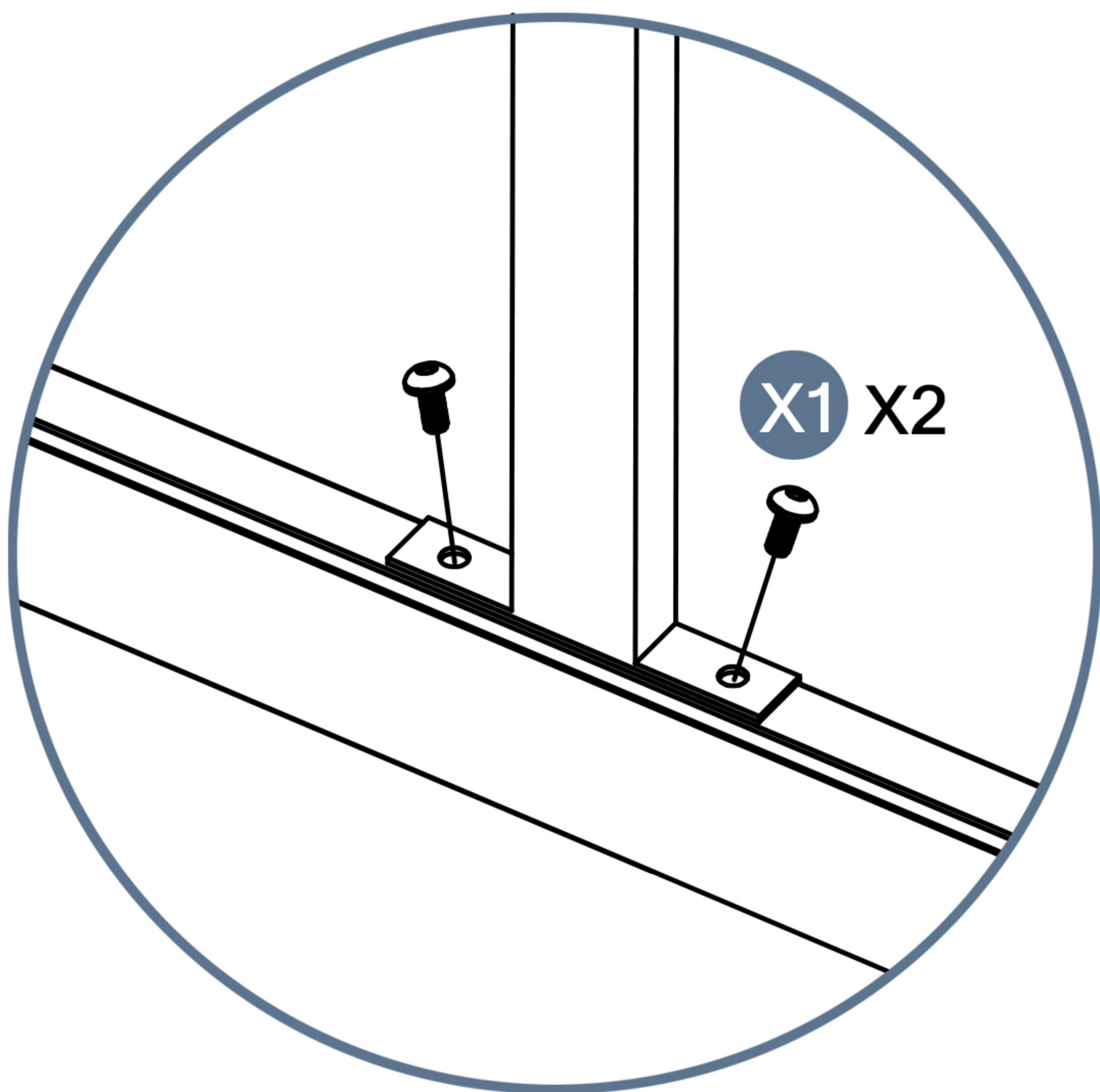
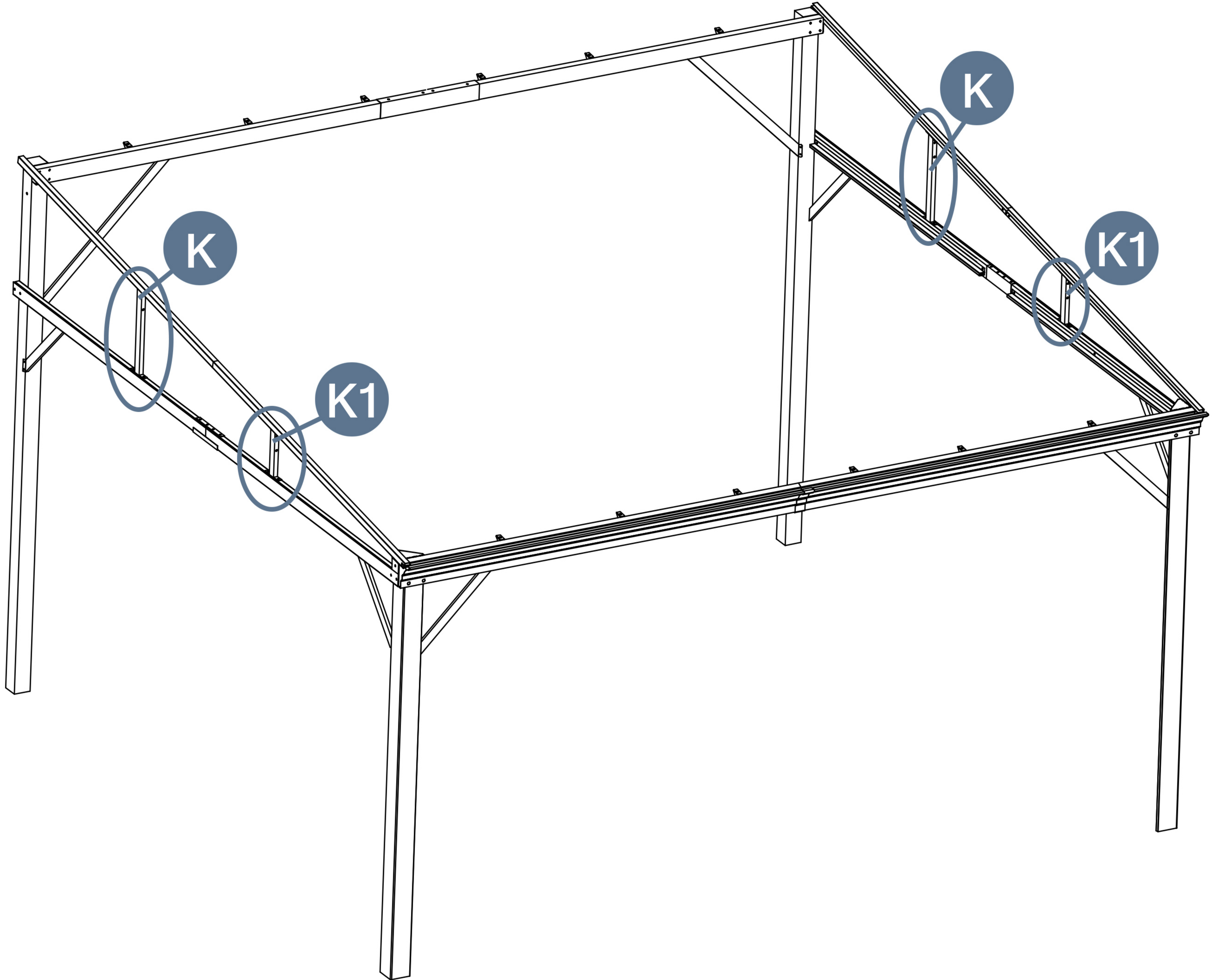
K 2pcs



K1 2pcs



X1 16pcs



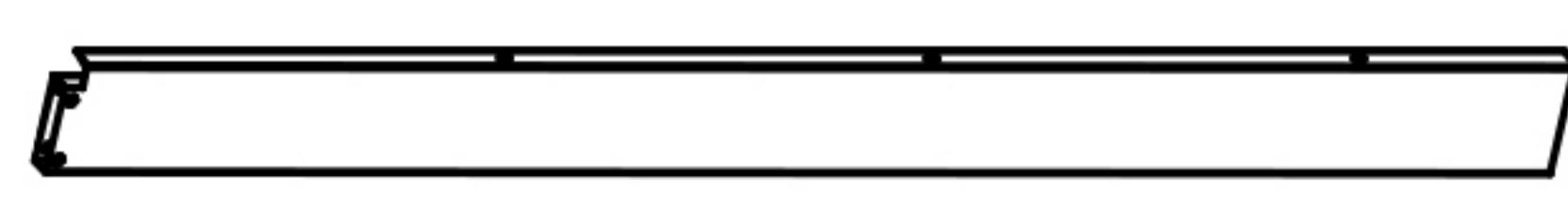
Keep all parts! For missing parts or installation issues, contact us.



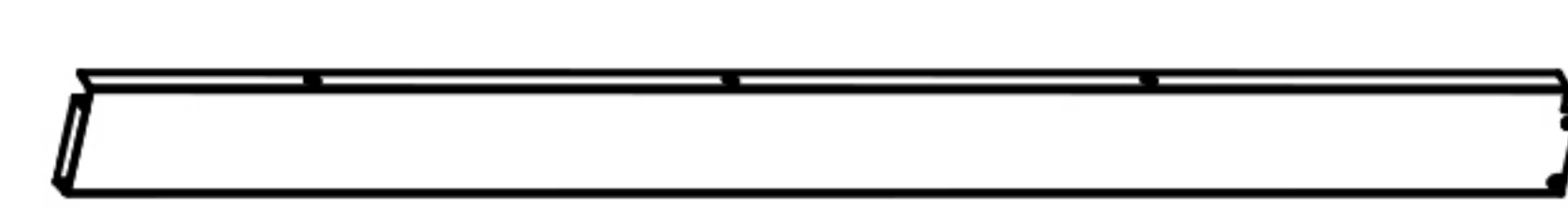
E-mail: cs.helper01@gmail.com

STEP 13

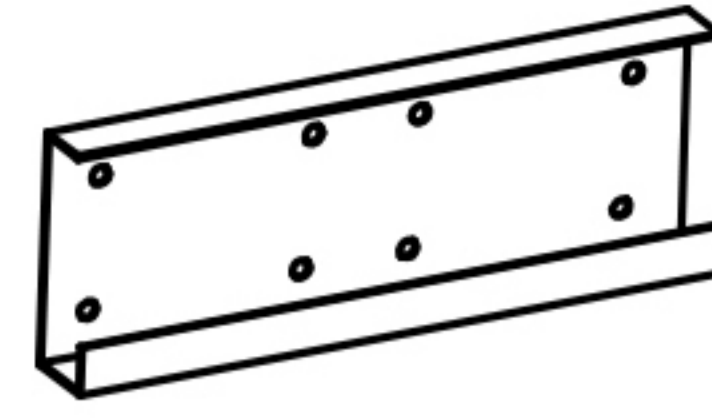
Parts required



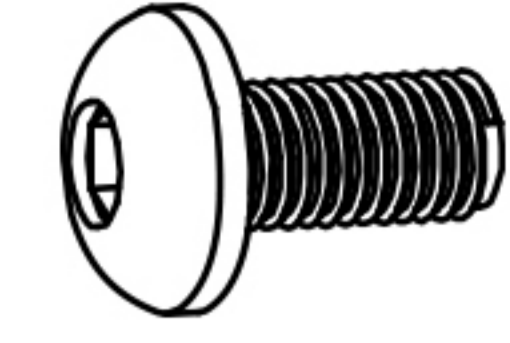
C 2pcs



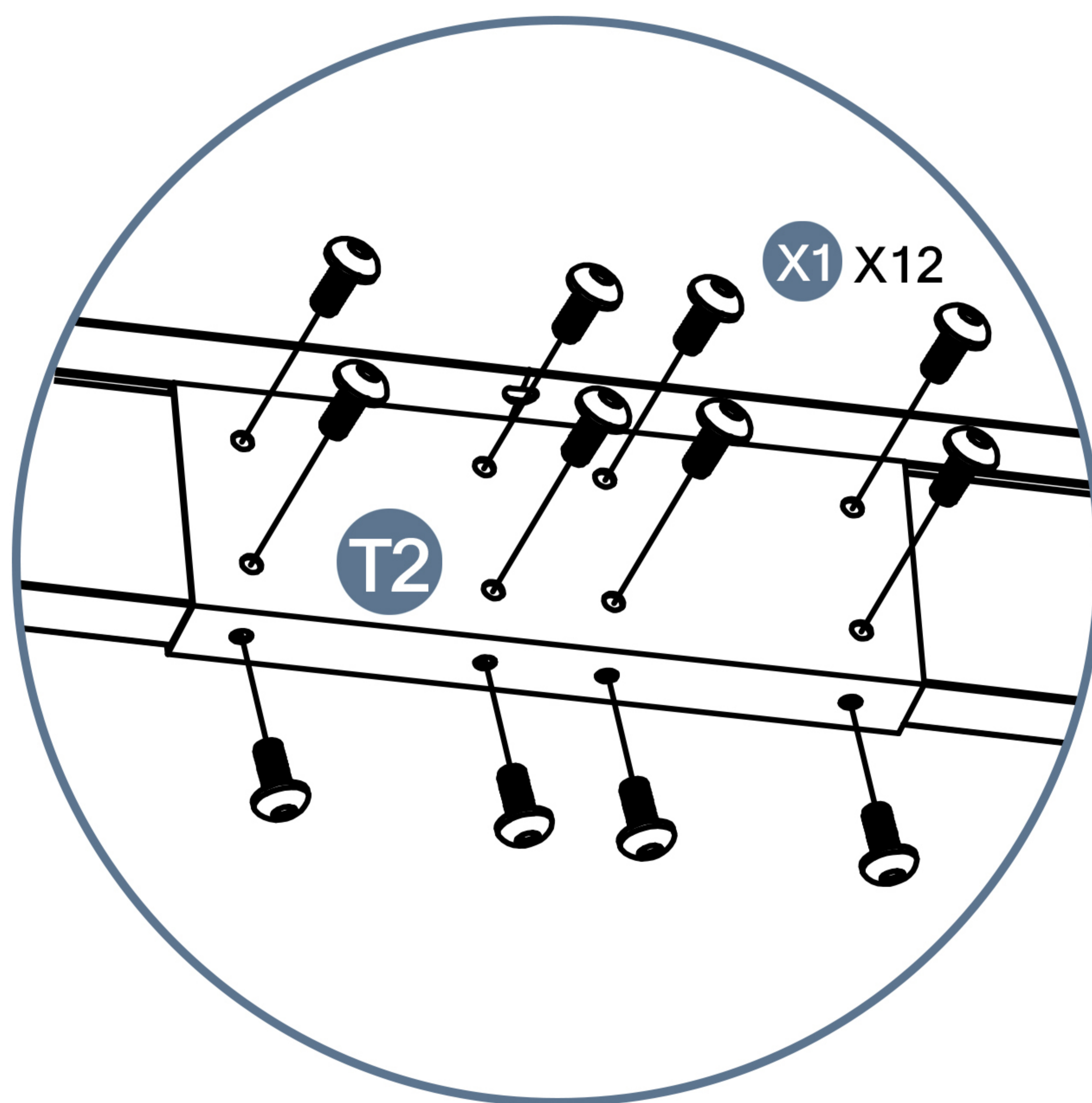
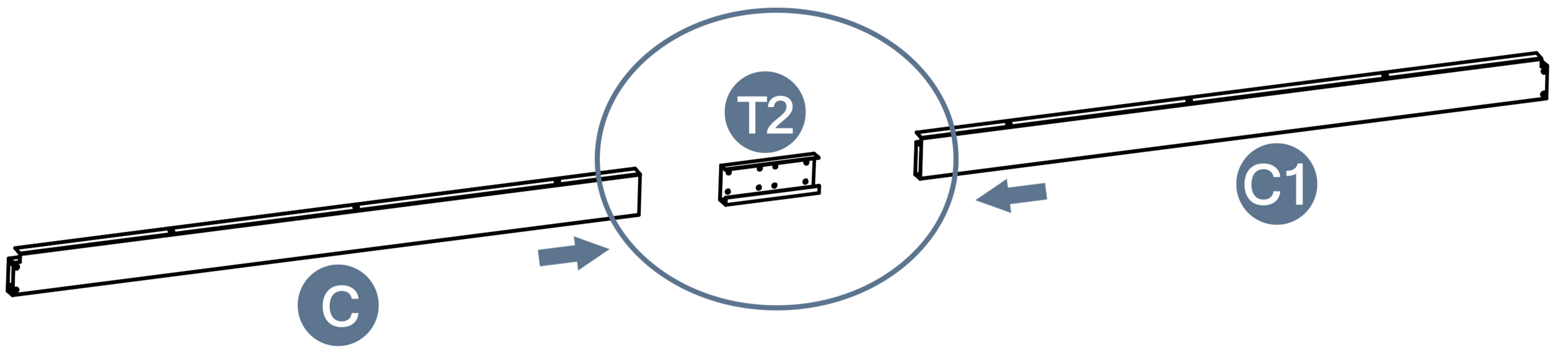
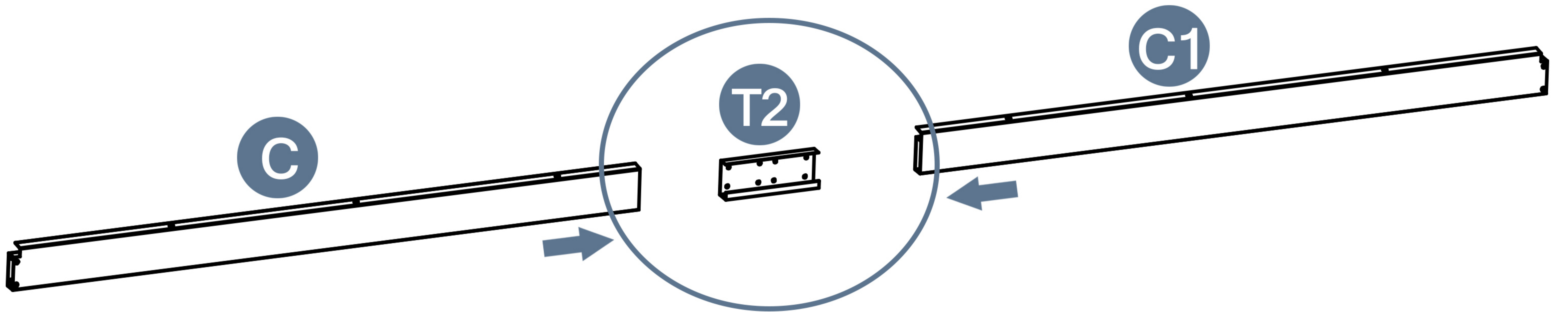
C1 2pcs



T2 2pcs



X1 24pcs

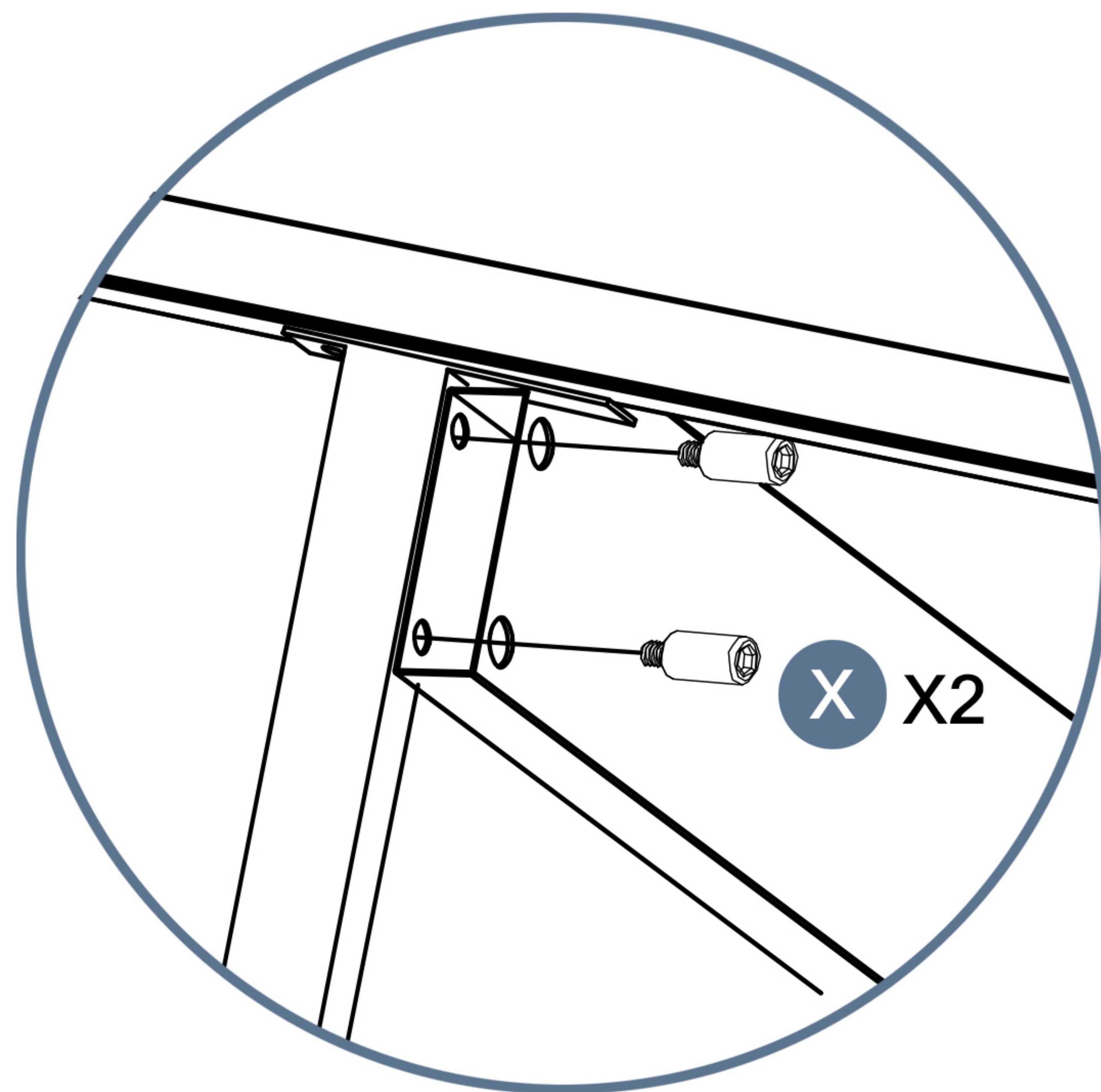
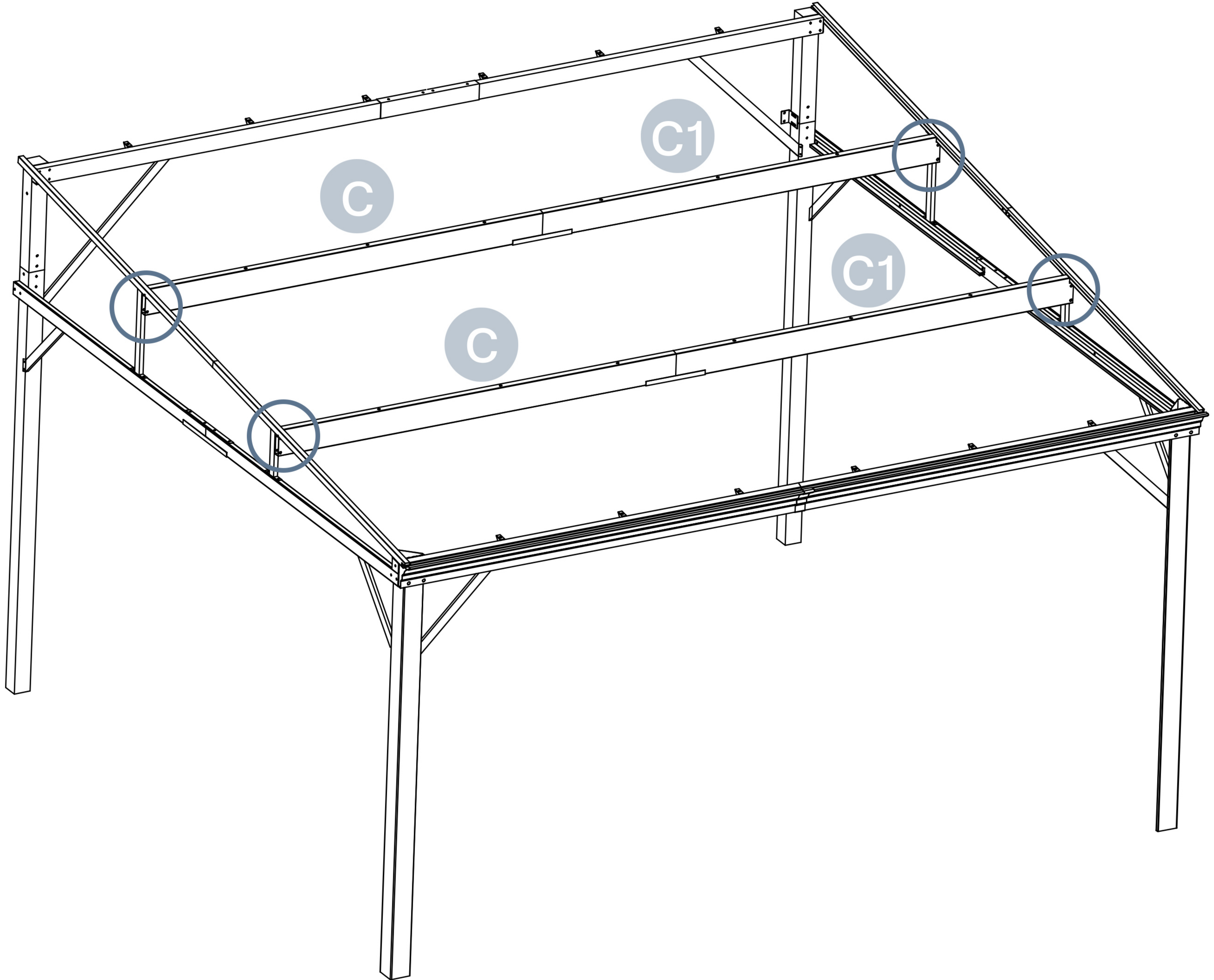


! Keep all parts! For missing parts or installation issues, contact us.

➔ ✉ E-mail: cs.helper01@gmail.com

STEP 14

Parts required



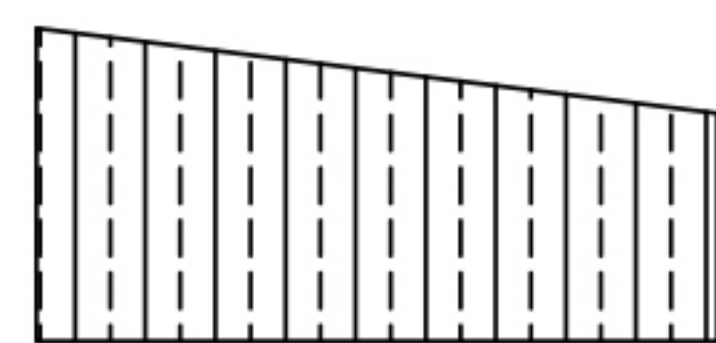
Keep all parts! For missing parts or installation issues, contact us.



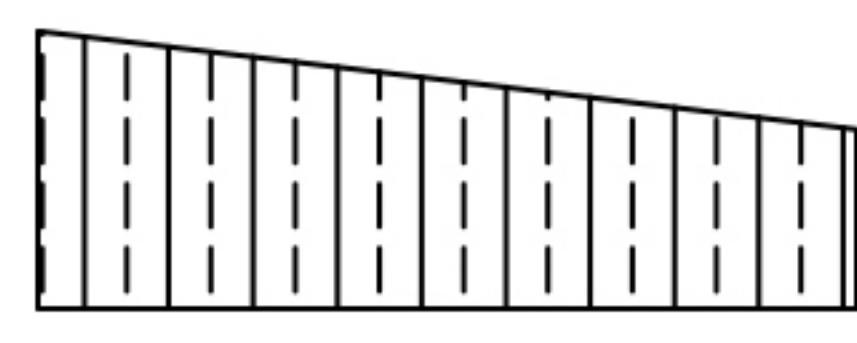
E-mail: cs.helper01@gmail.com

STEP 15

Parts required



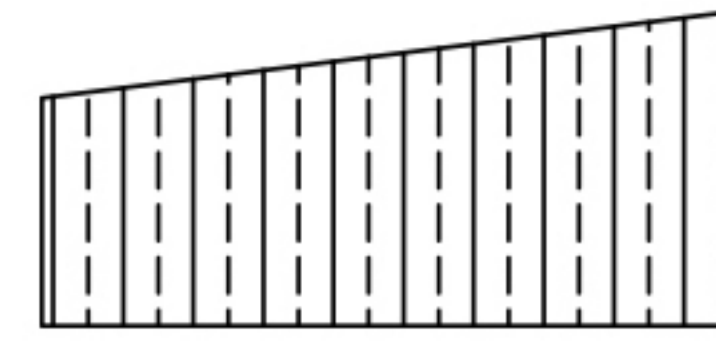
Y1 1pcs



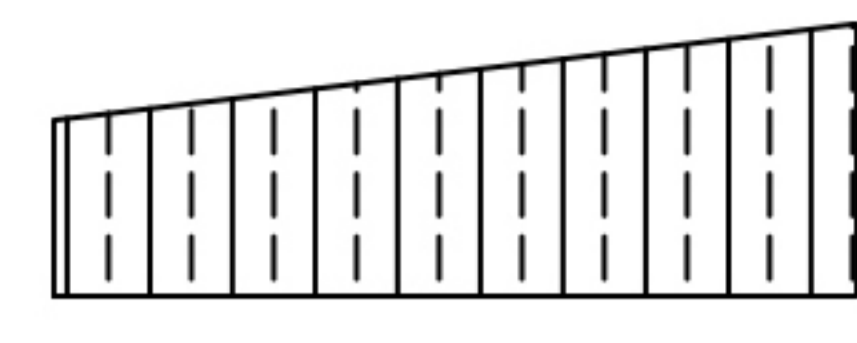
Y2 1pcs



Y3 1pcs



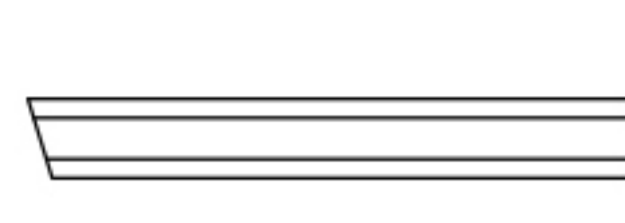
Y4 1pcs



Y5 1pcs



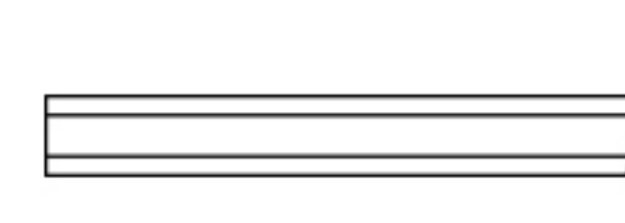
Y6 1pcs



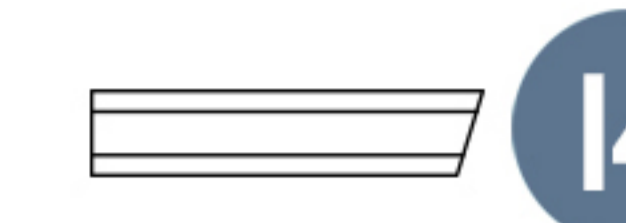
I1 1pcs



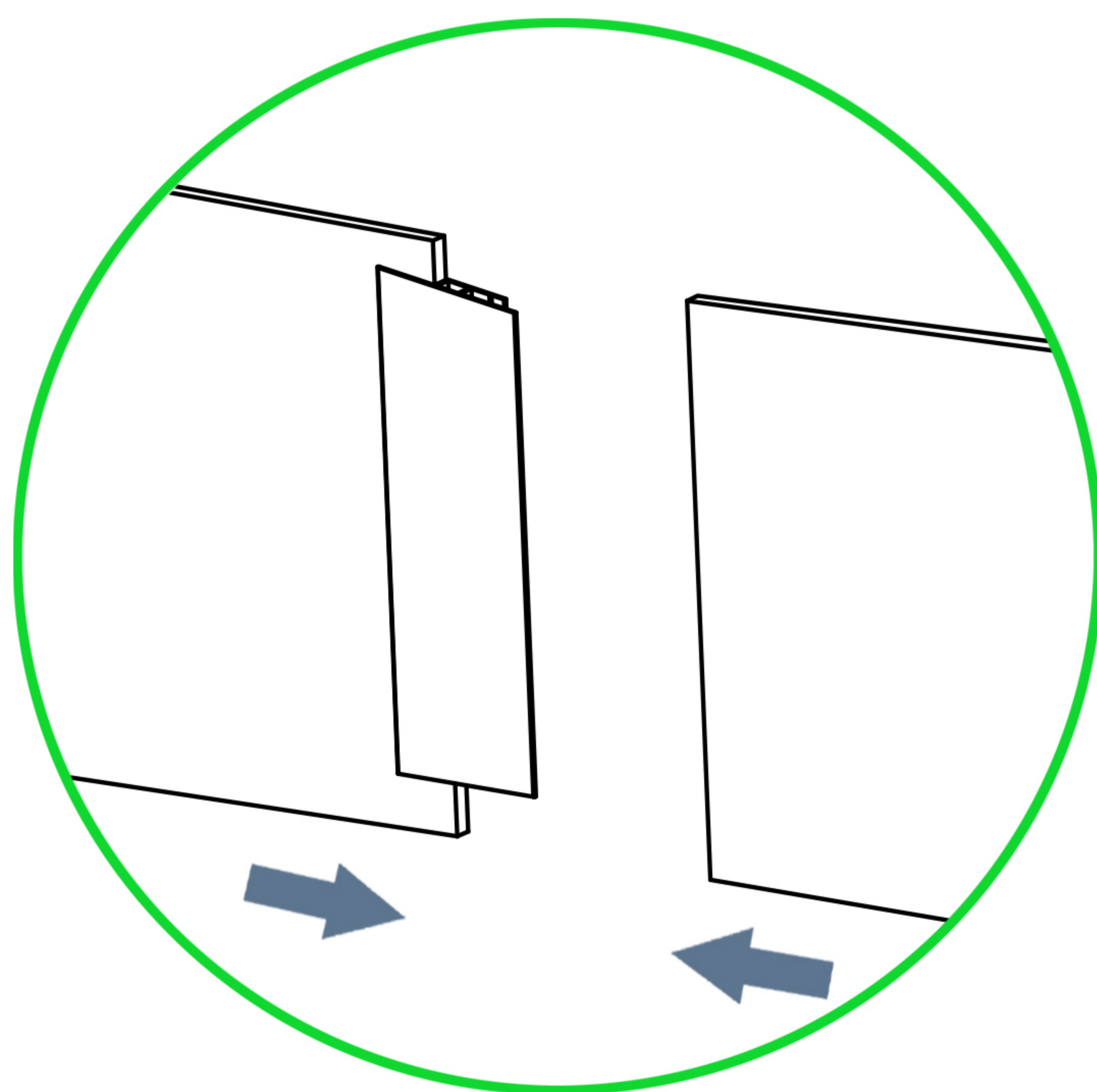
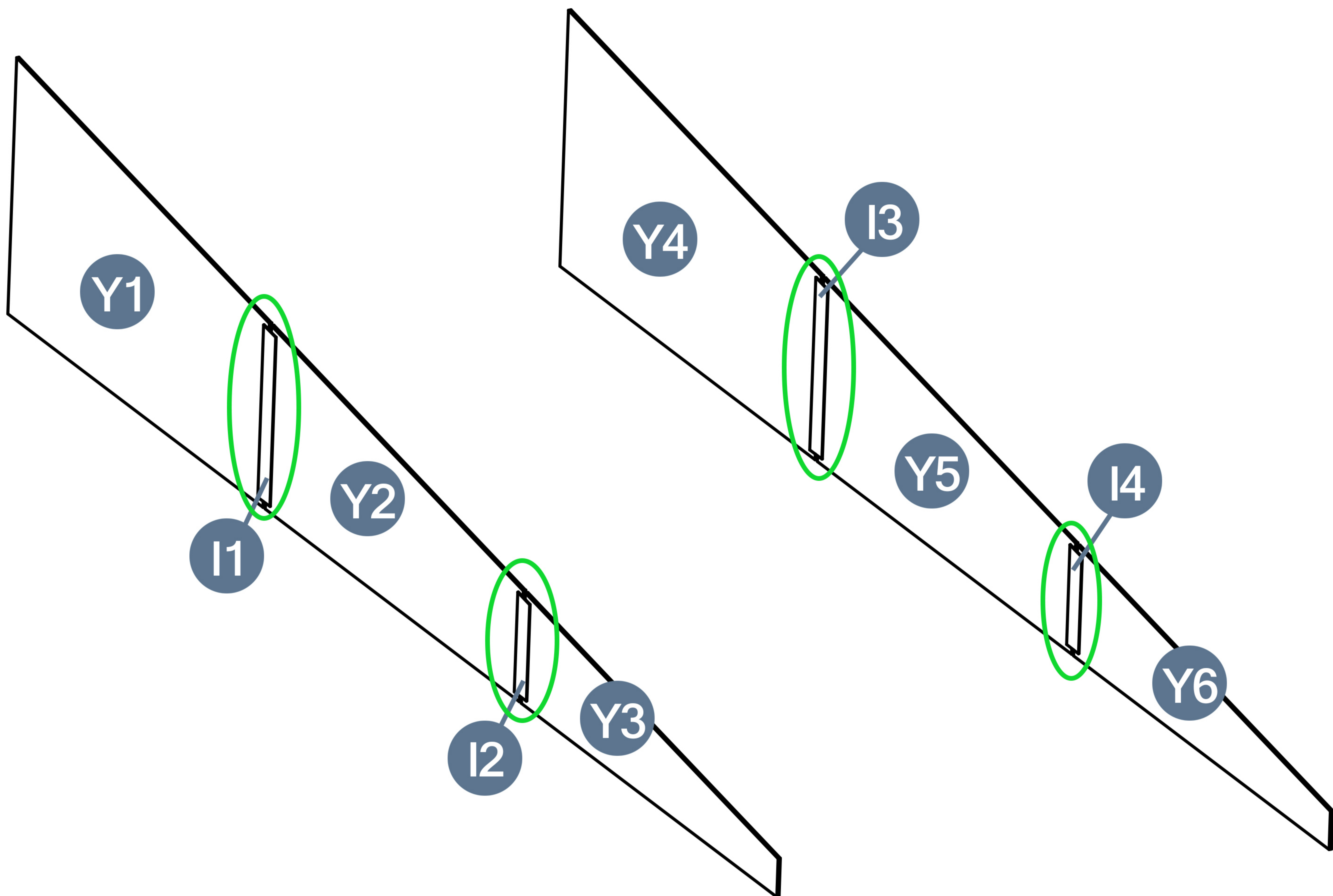
I2 1pcs



I3 1pcs



I4 1pcs

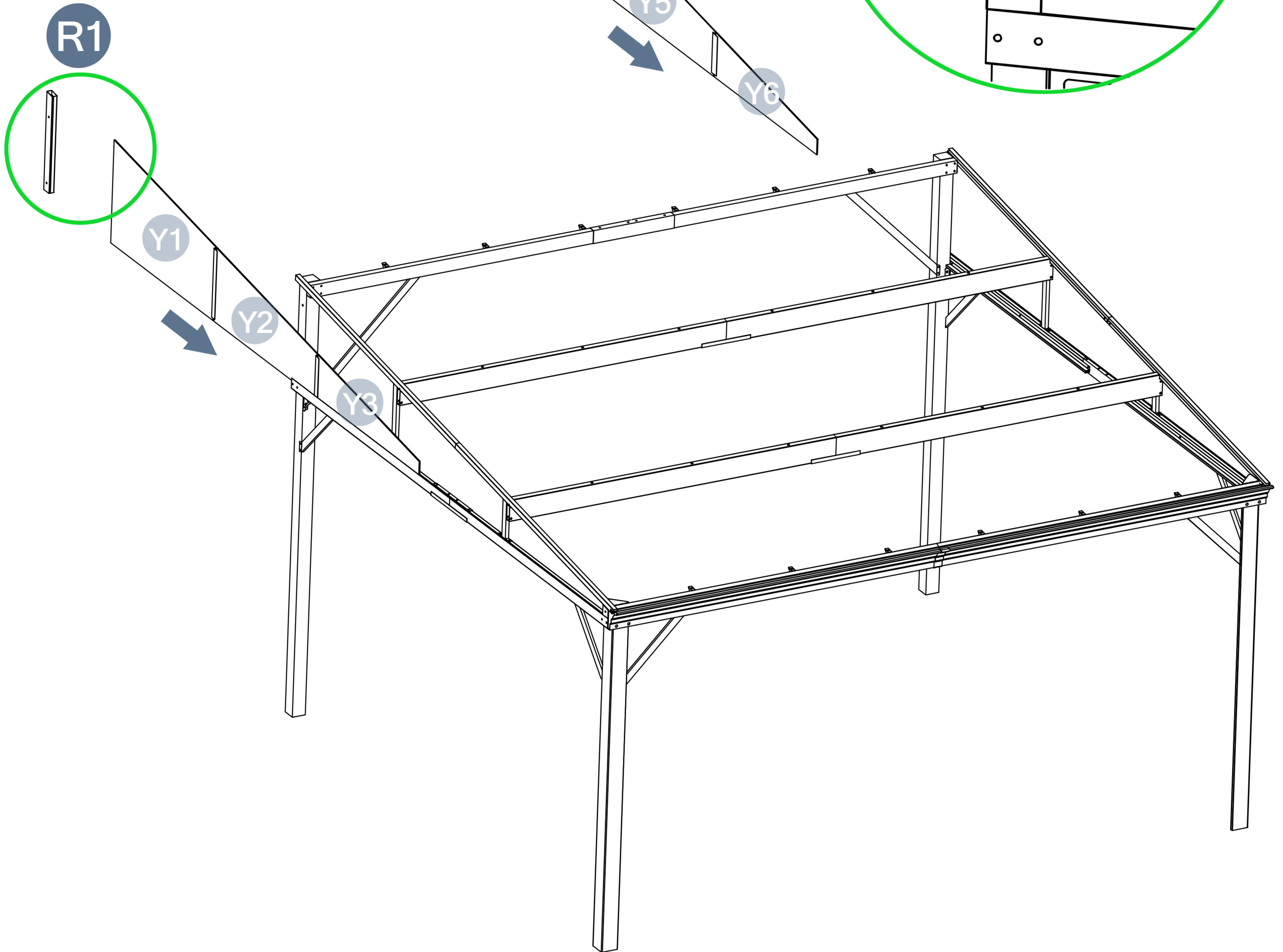
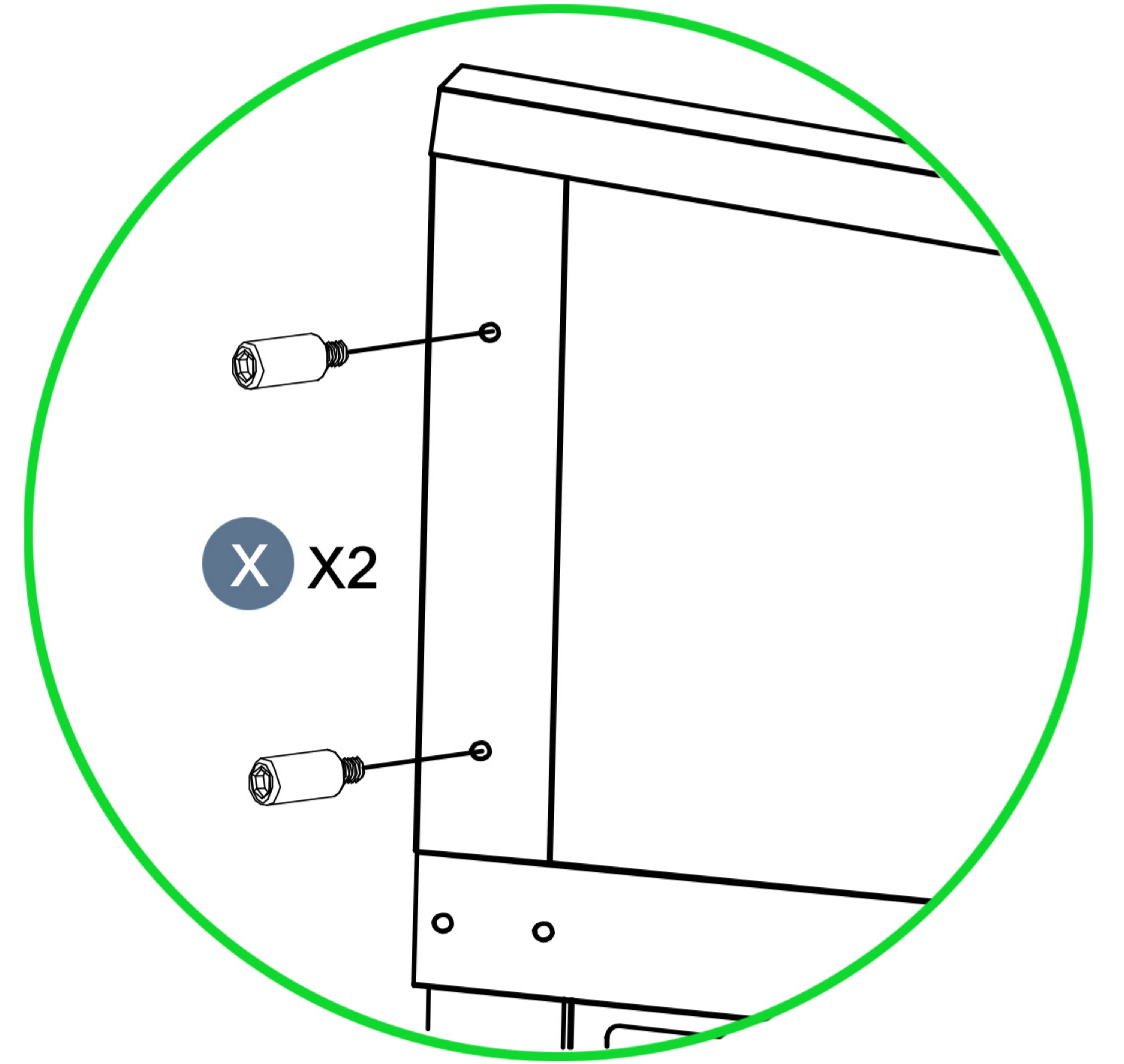
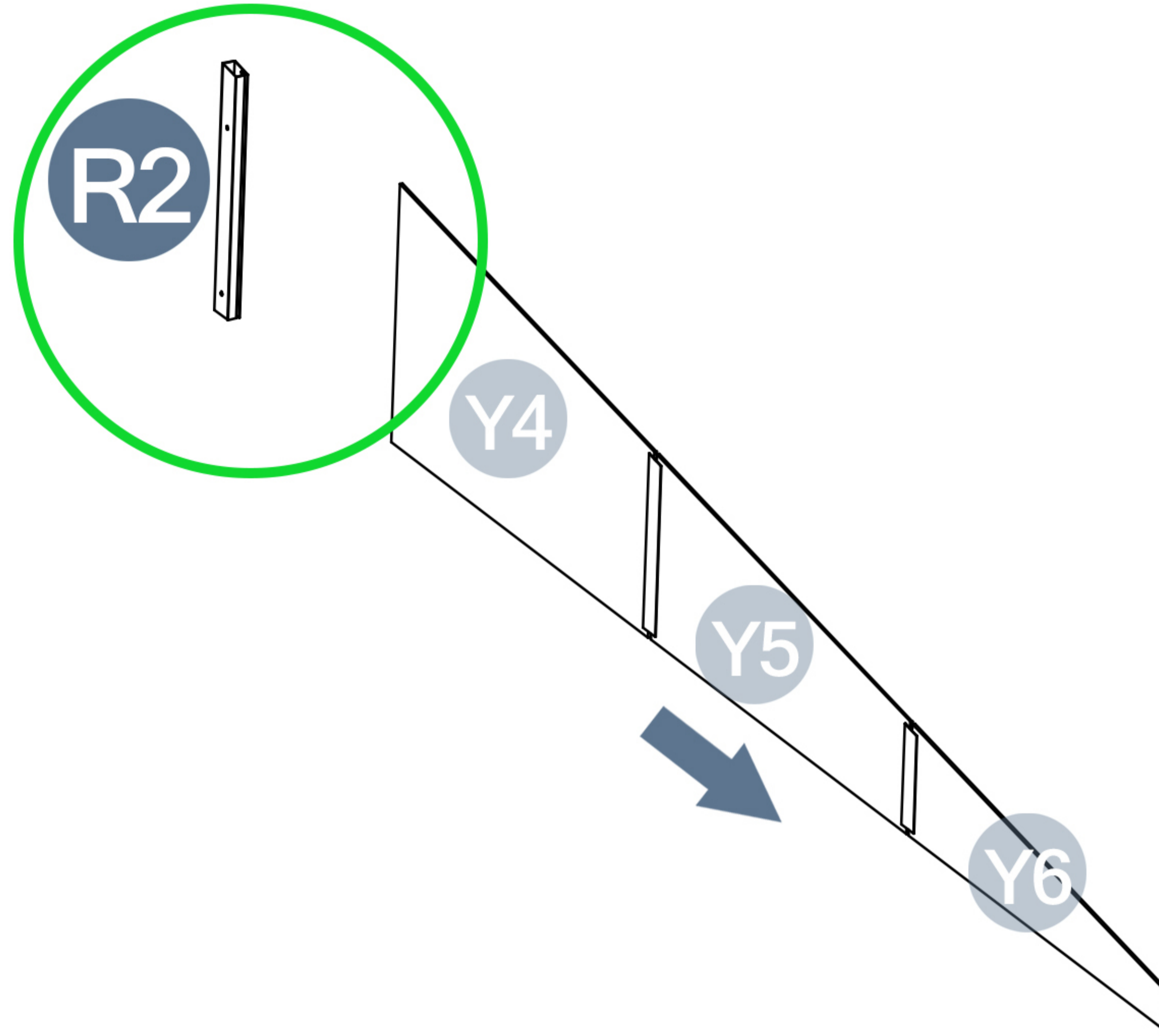
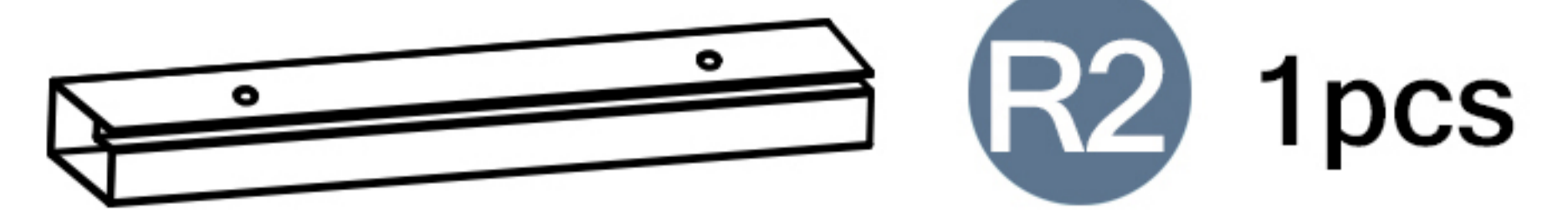
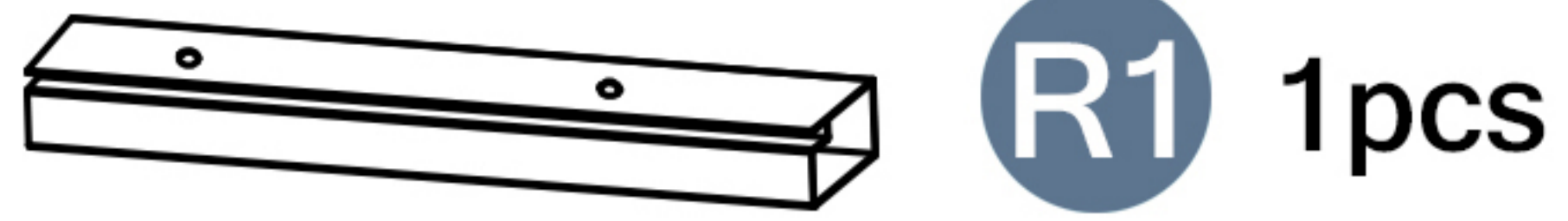


! Keep all parts! For missing parts or installation issues, contact us.

➔ ✉ E-mail: cs.helper01@gmail.com

STEP 16

Parts required



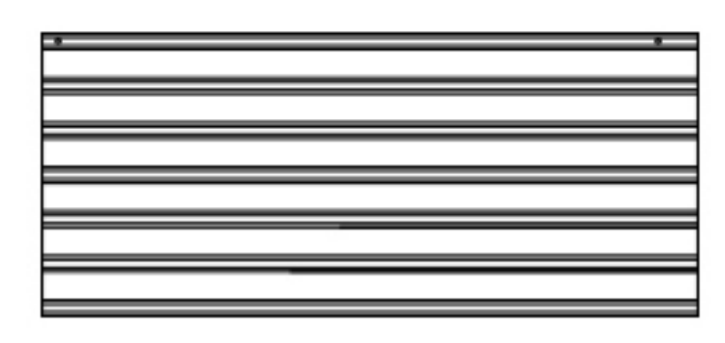
Keep all parts! For missing parts or installation issues, contact us.



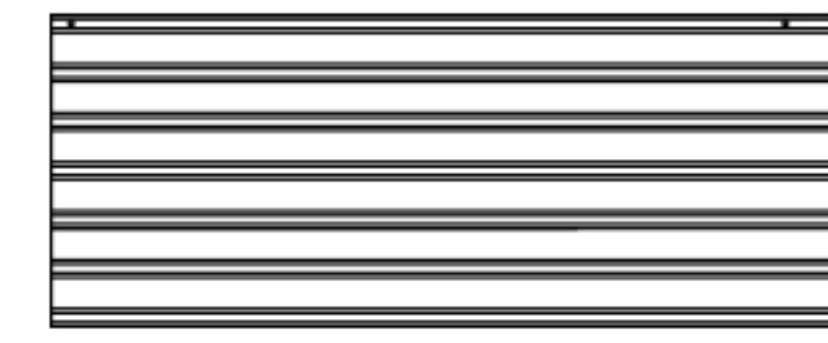
E-mail: cs.helper01@gmail.com

STEP 17

Parts required



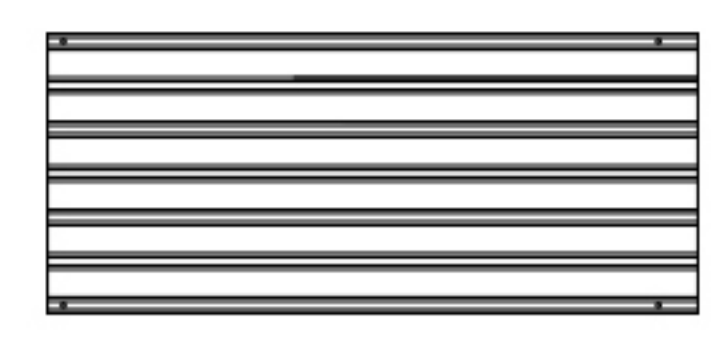
N1 1pcs



N2 1pcs



N3 1pcs



N4 5pcs



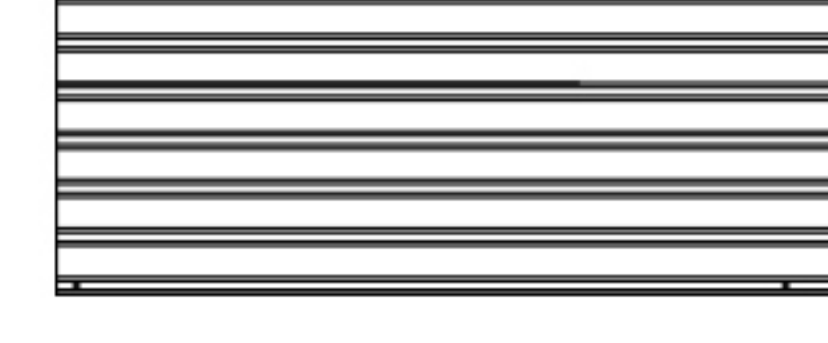
N5 5pcs



N6 5pcs



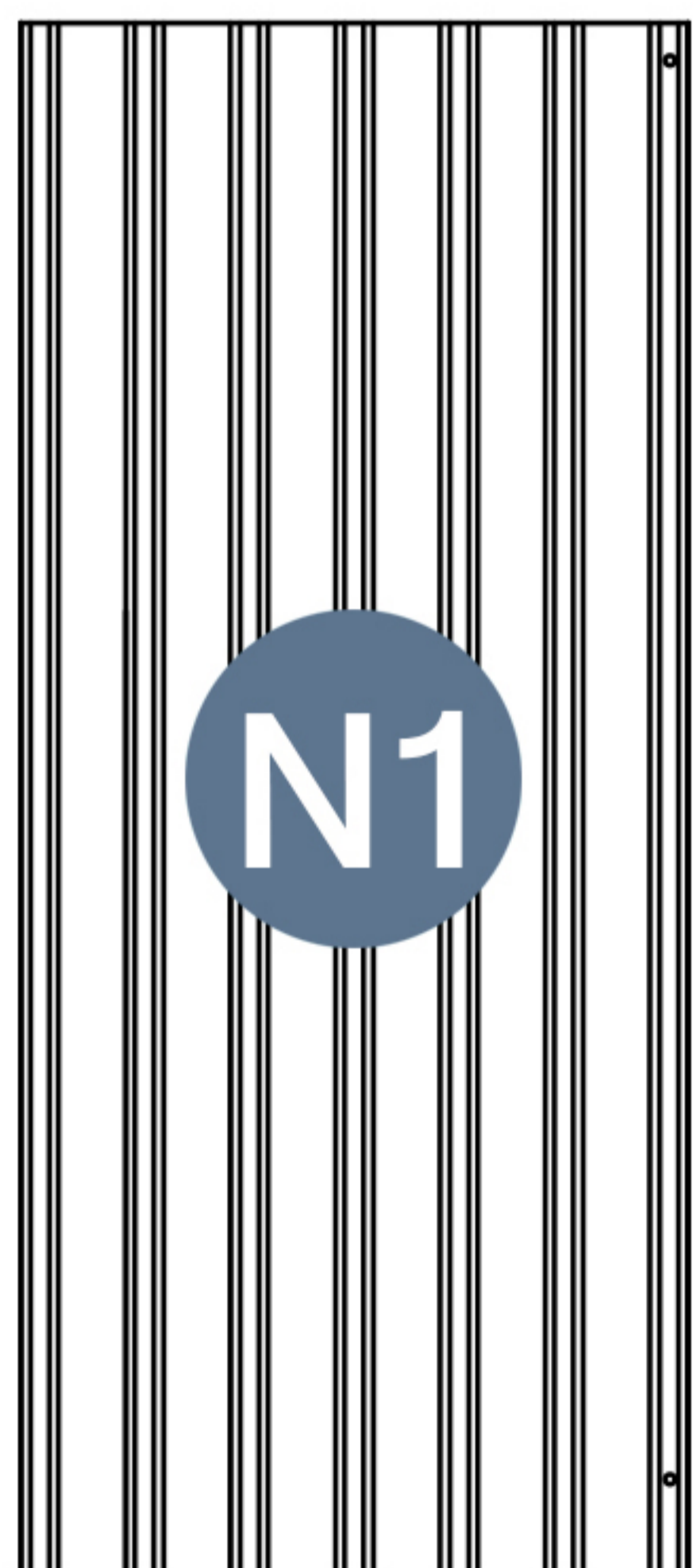
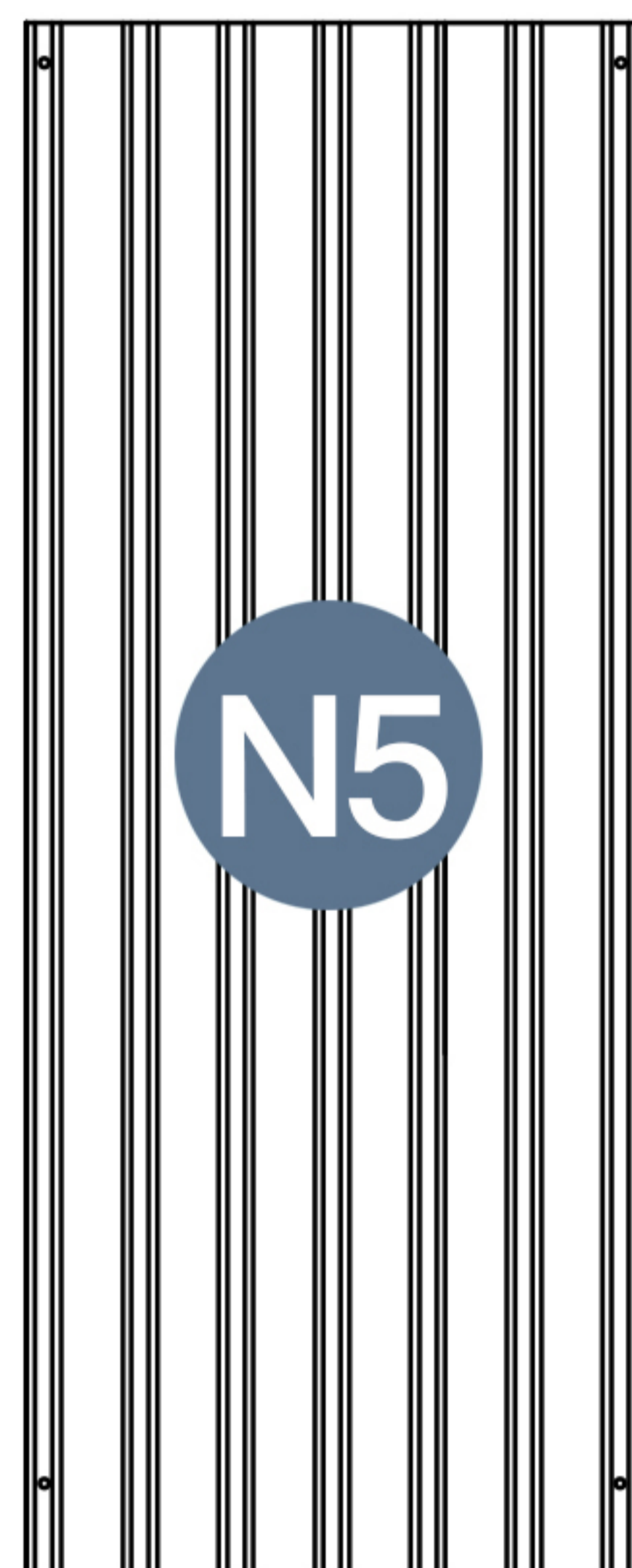
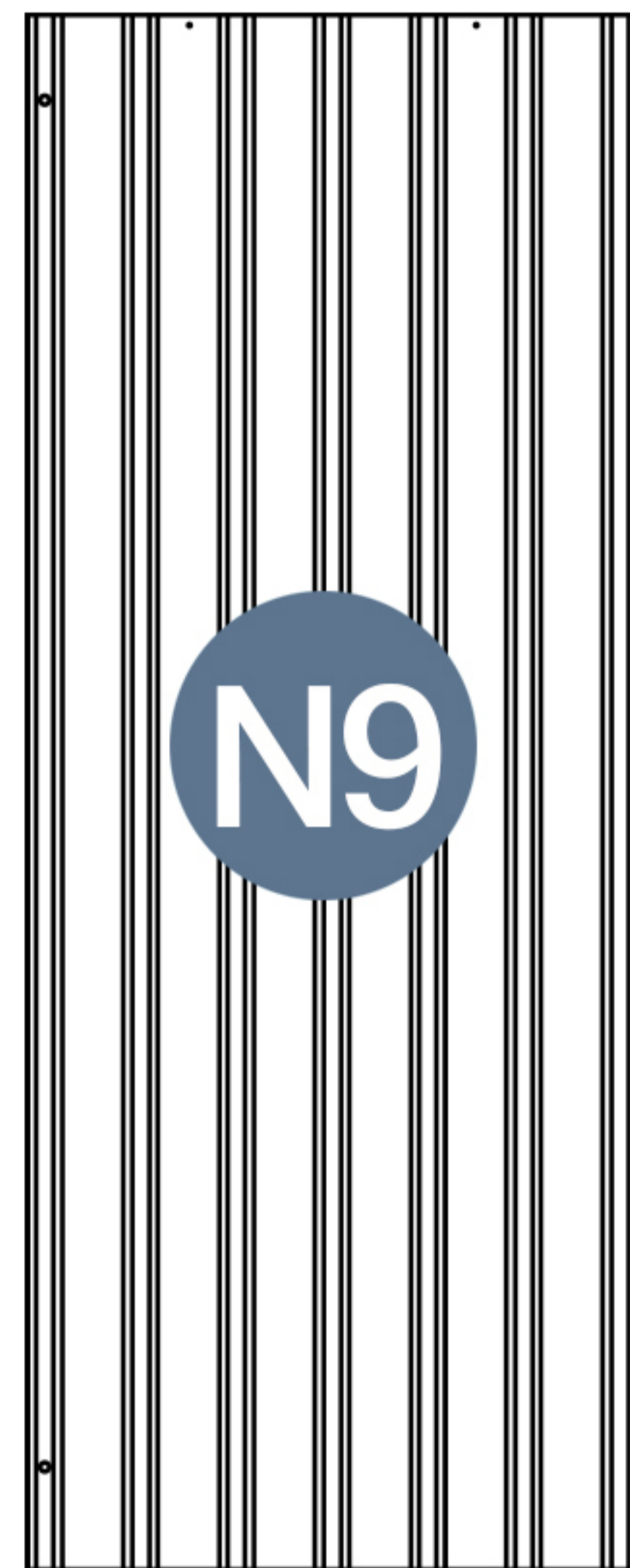
N7 1pcs



N8 1pcs



N9 1pcs

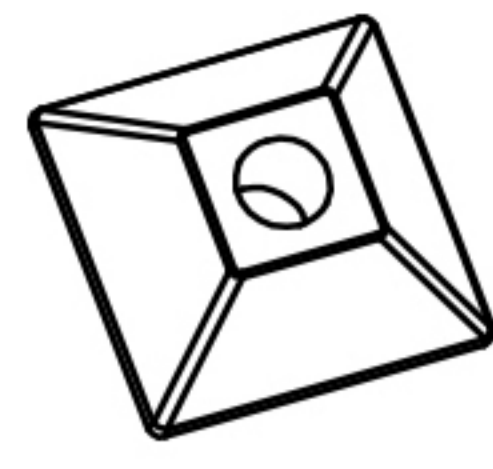


! Keep all parts! For missing parts or installation issues, contact us.

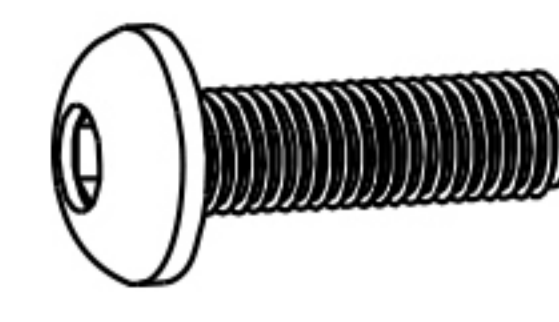
➔ E-mail: cs.helper01@gmail.com

STEP 18

Parts required

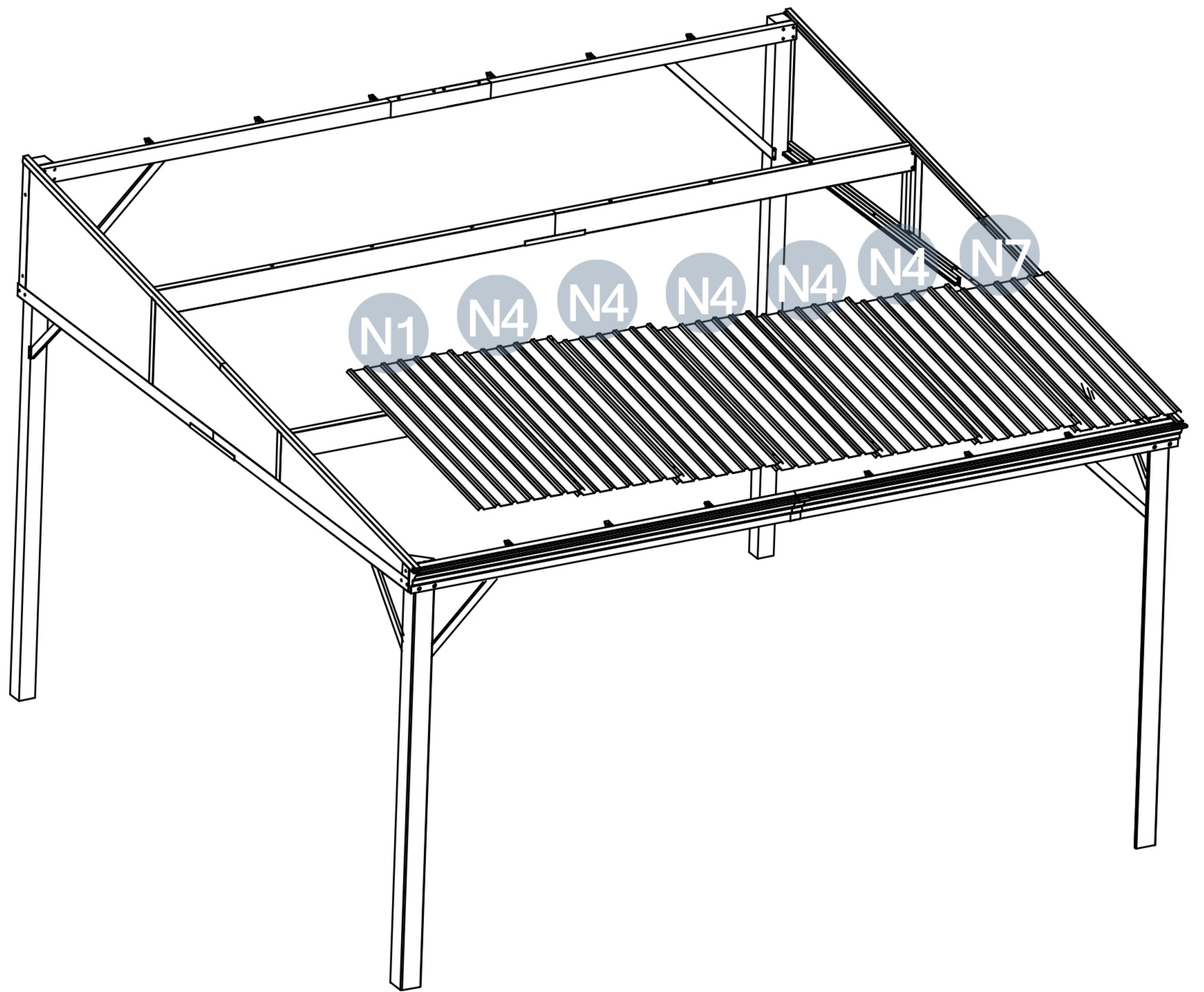
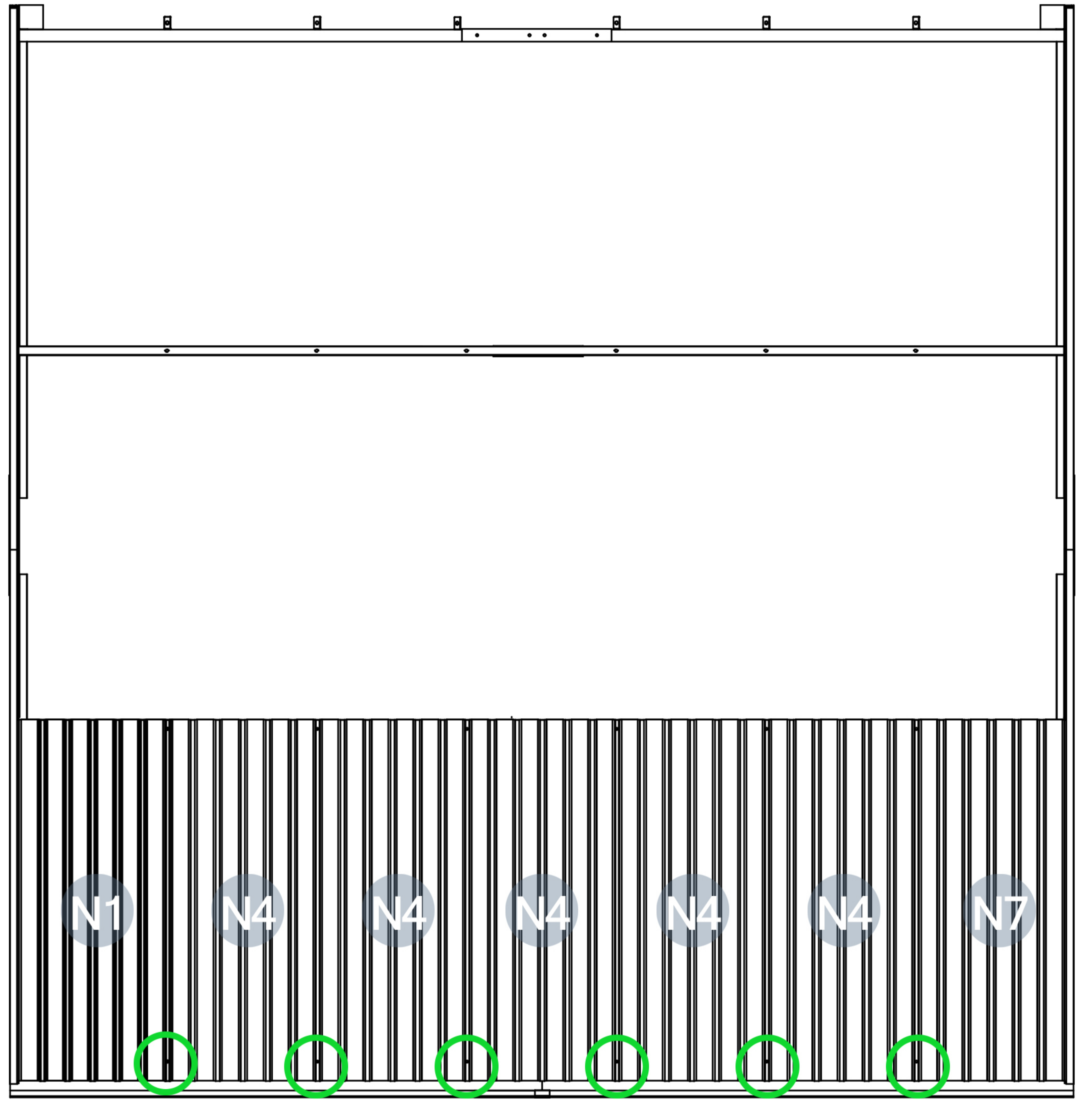
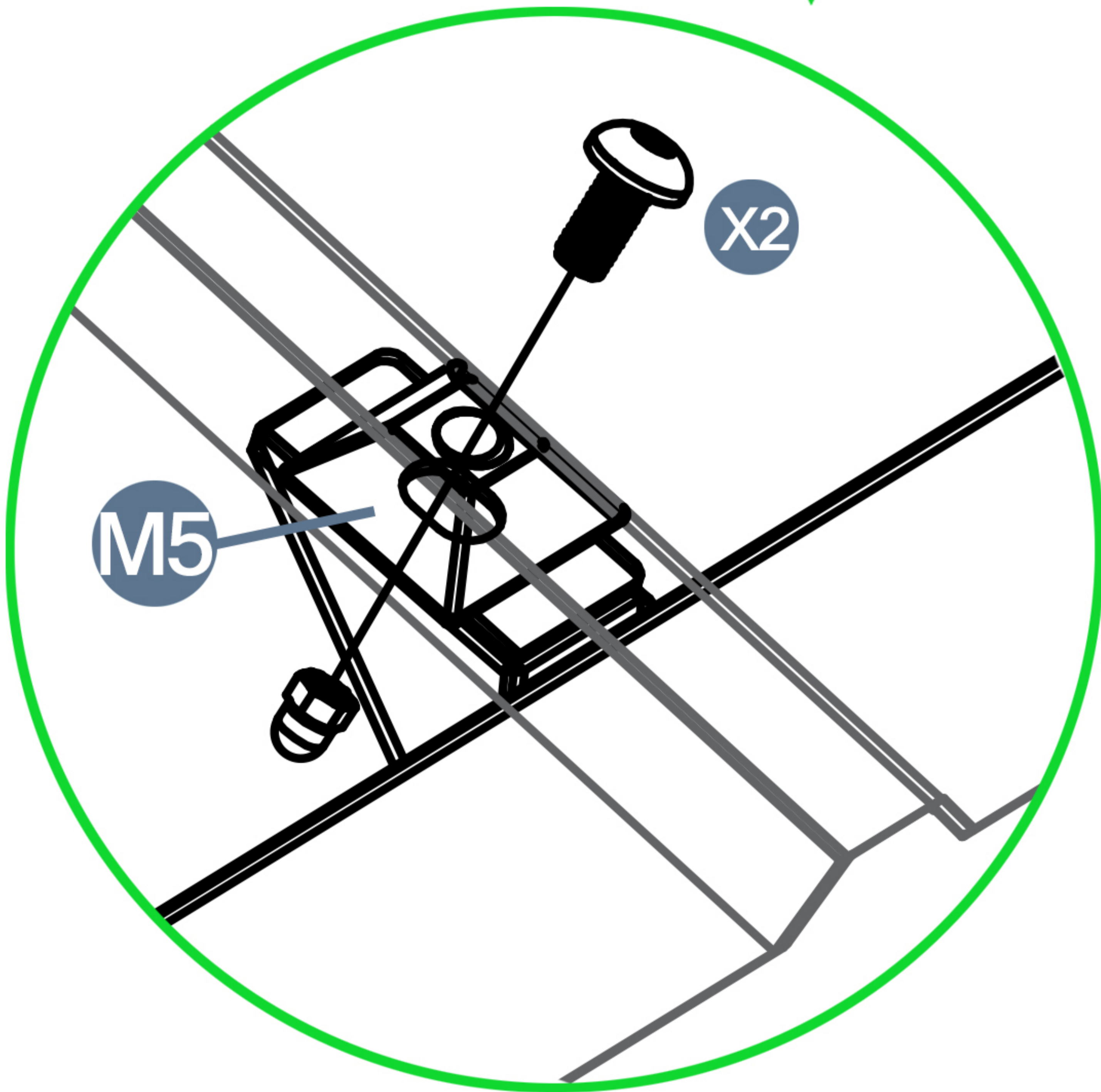
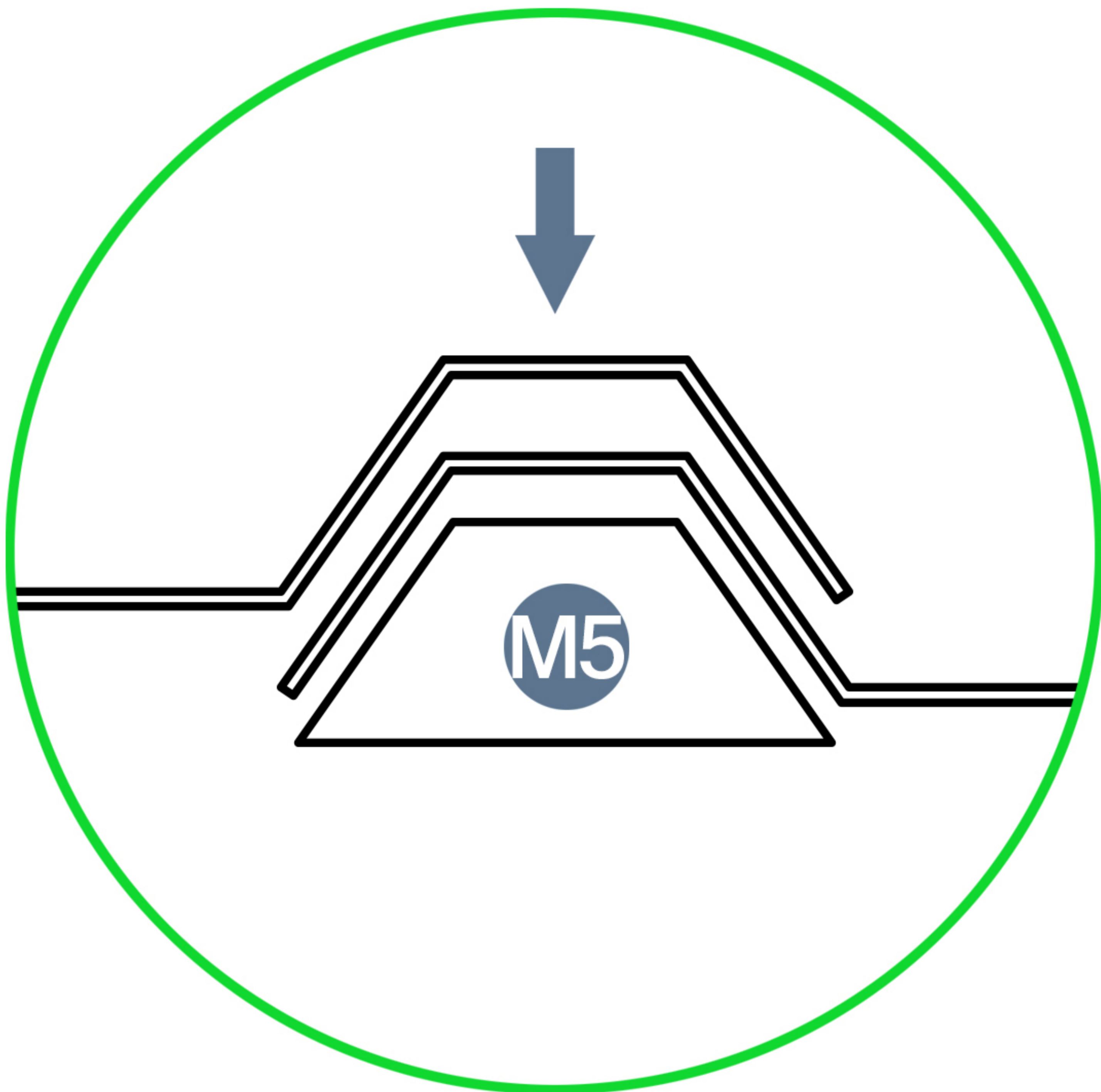


M5 6pcs



X2 6pcs

First, install the part M5. Then, install the N panels in sequence.



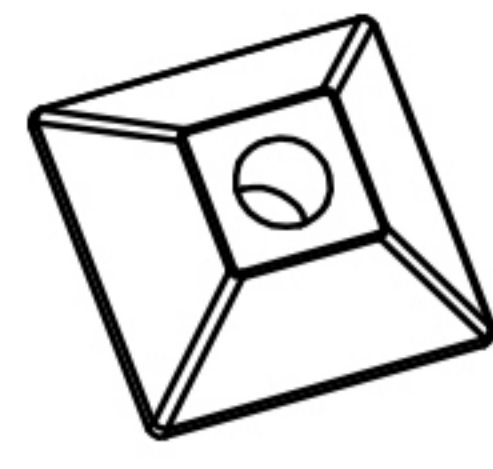
Keep all parts! For missing parts or installation issues, contact us.



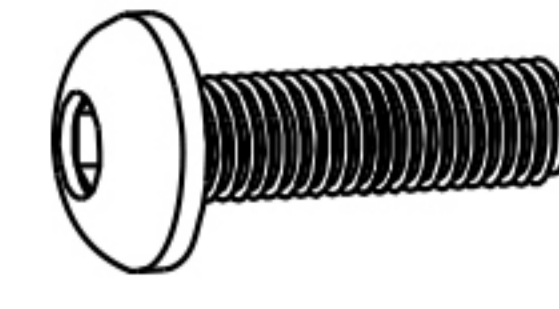
E-mail: cs.helper01@gmail.com

STEP 19

Parts required

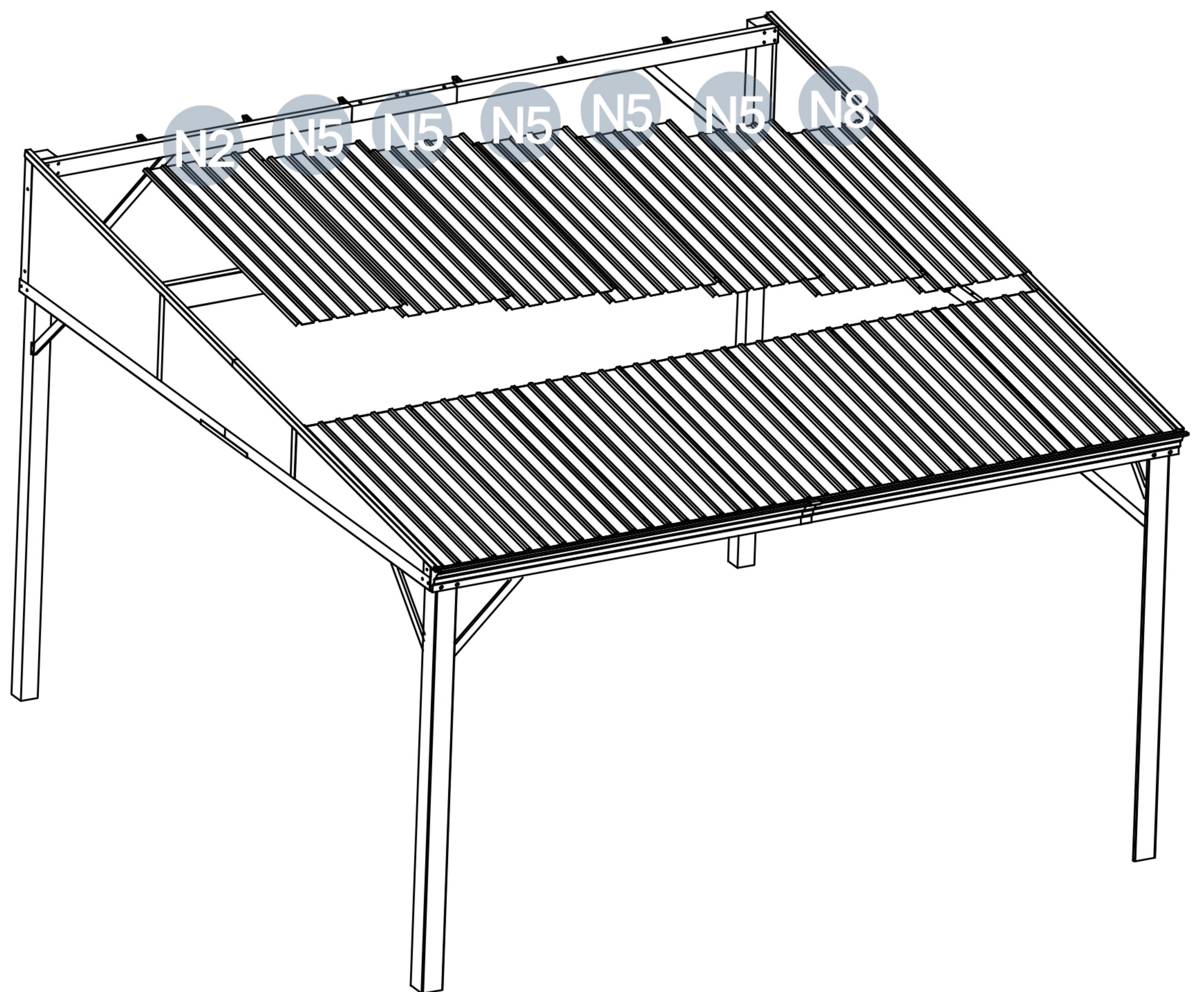
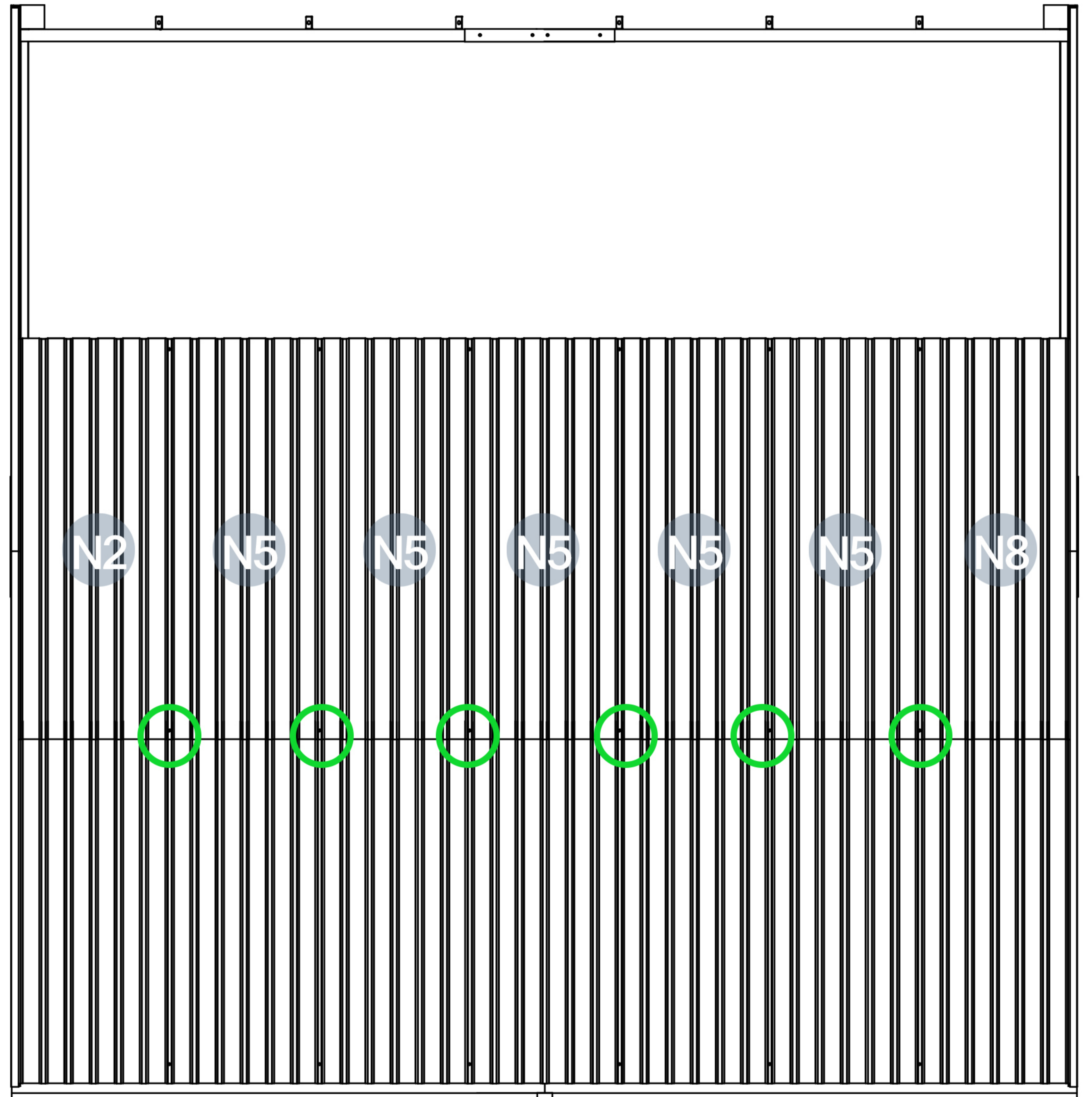
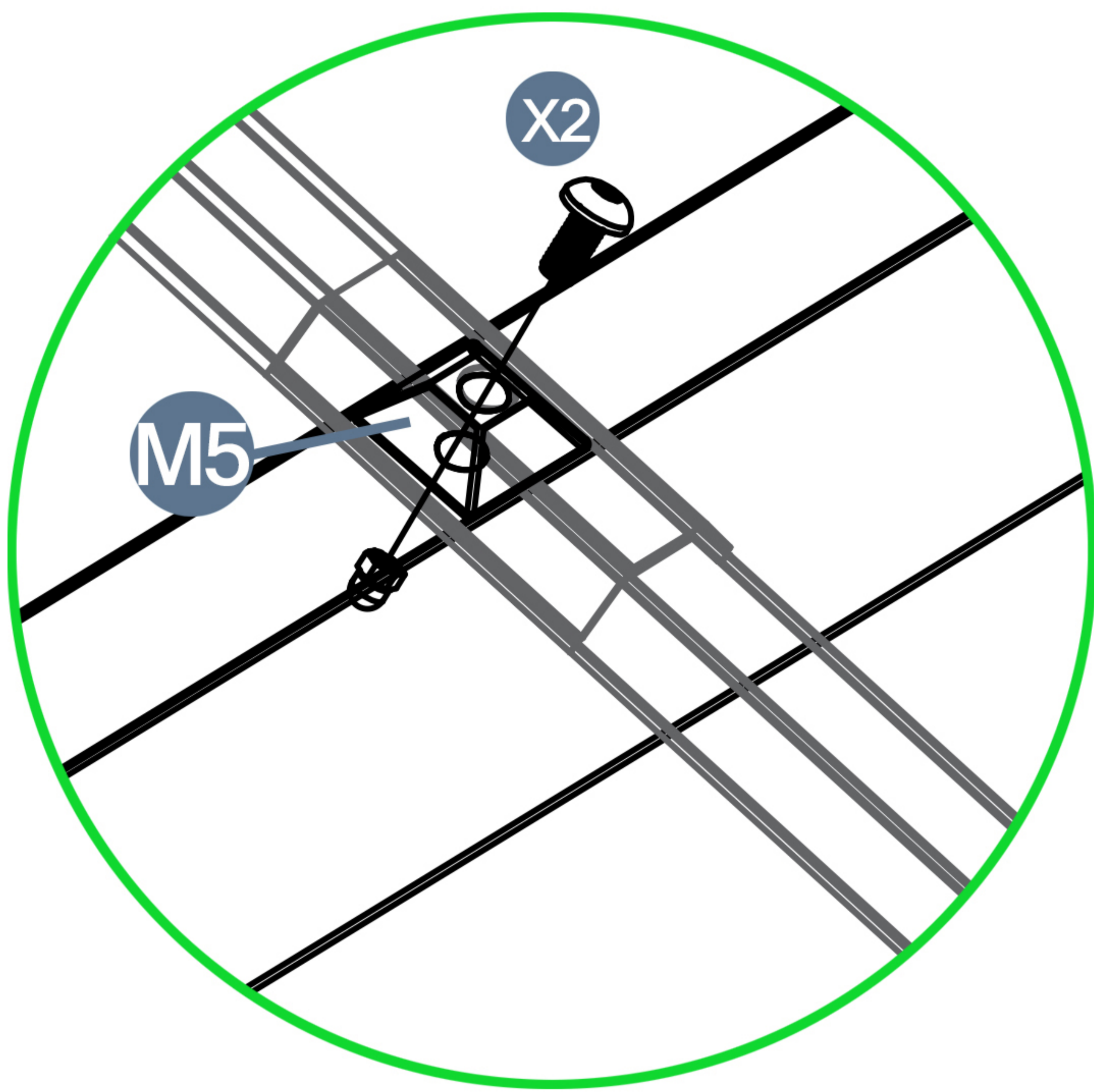


M5 6pcs



X2 6pcs

First, install the part M5. Then, install the N panels in sequence.

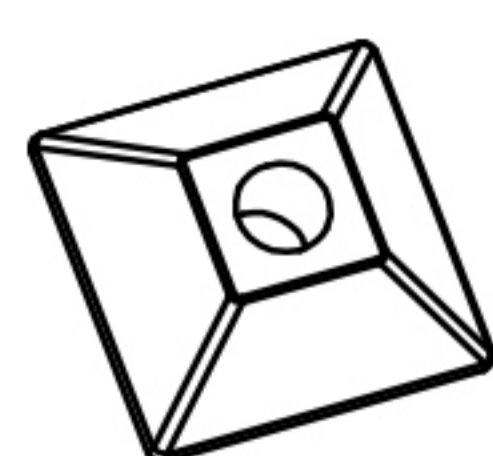


! Keep all parts! For missing parts or installation issues, contact us.

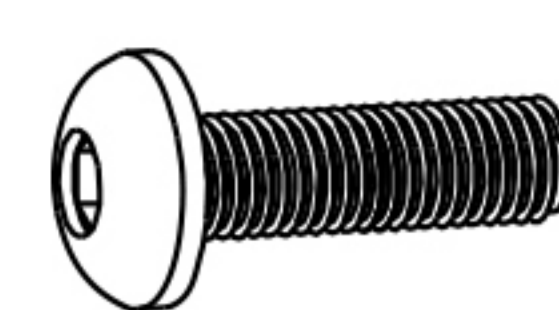
➔ ✉ E-mail: cs.helper01@gmail.com

STEP 20

Parts required

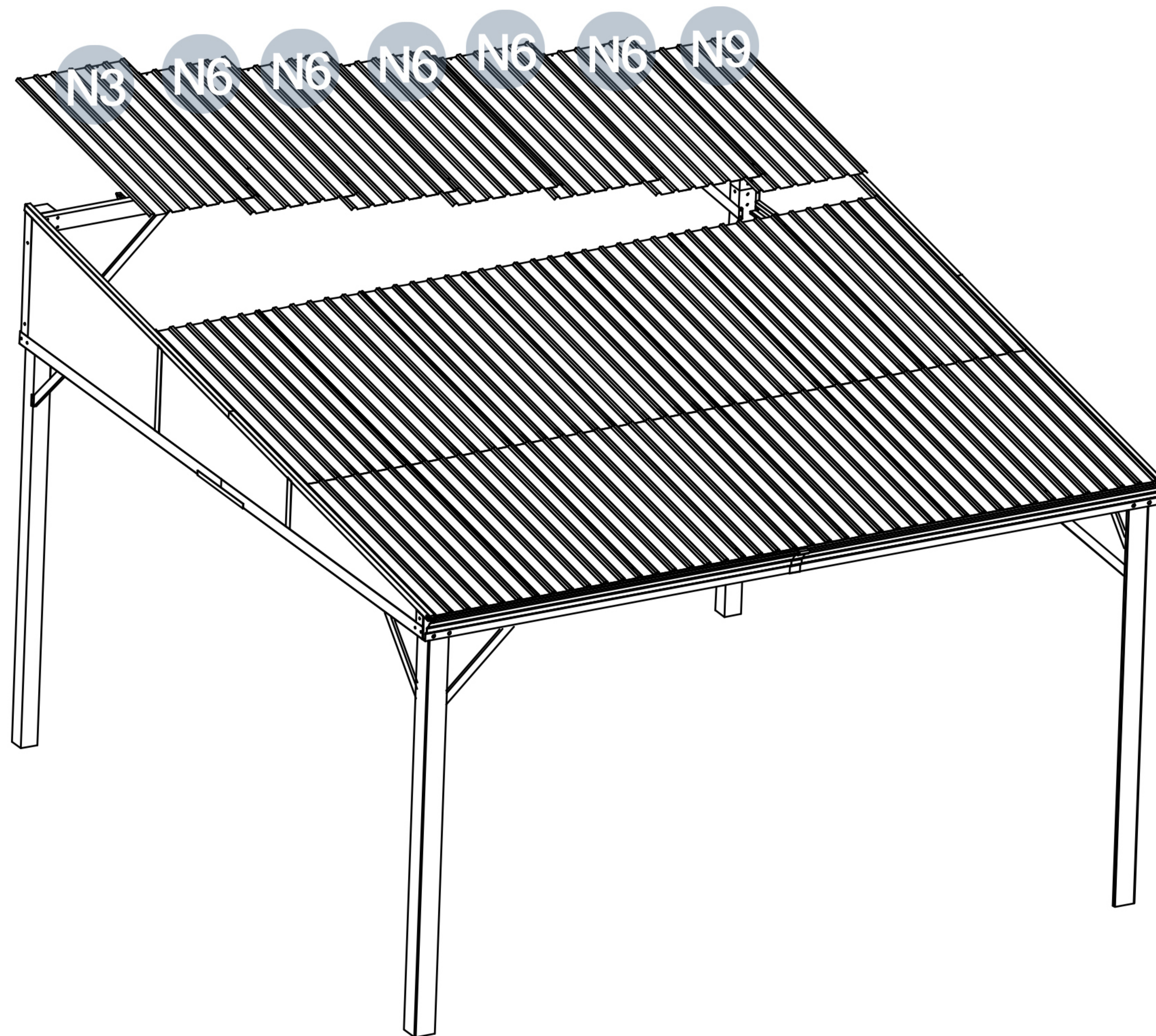
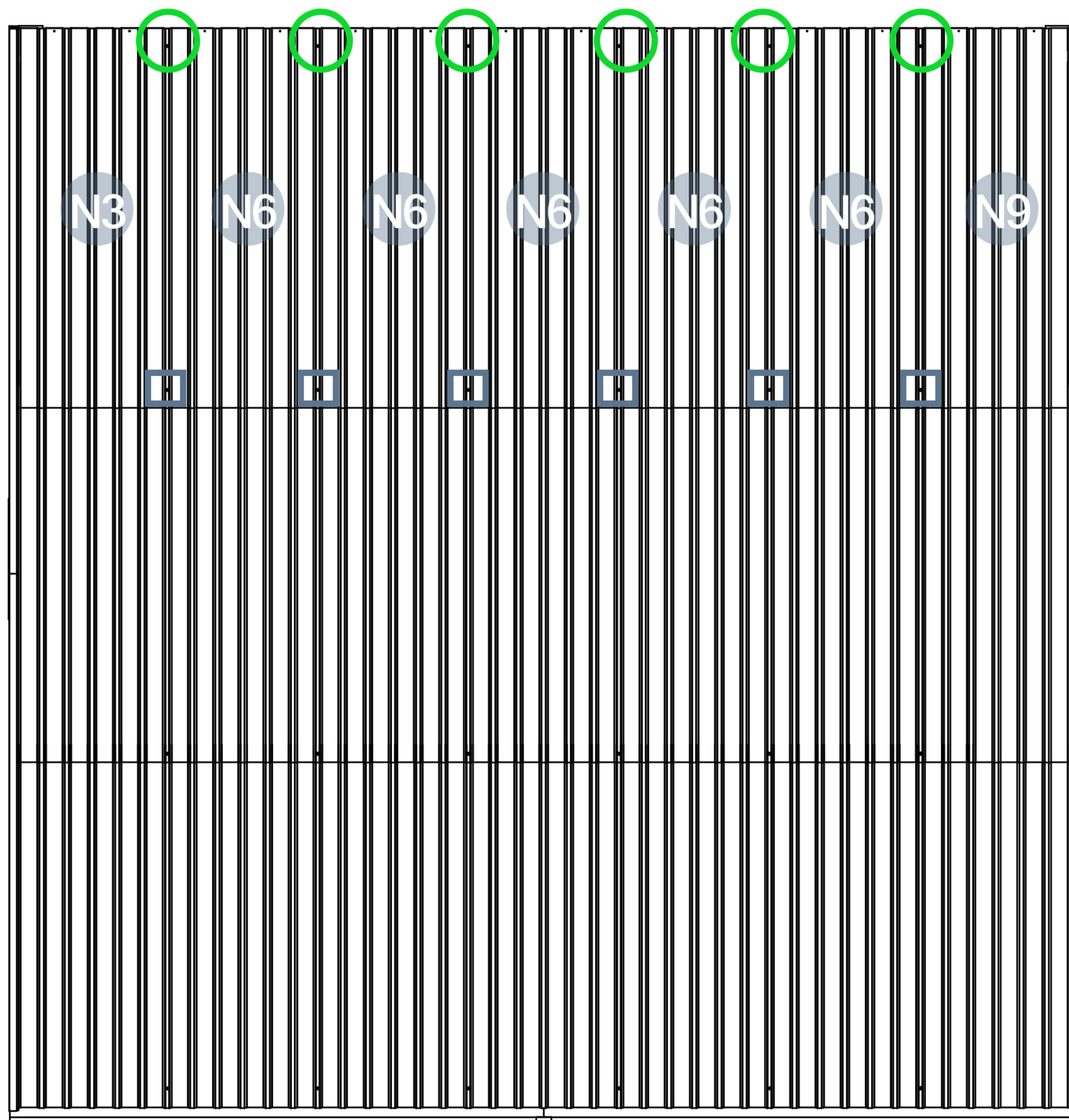
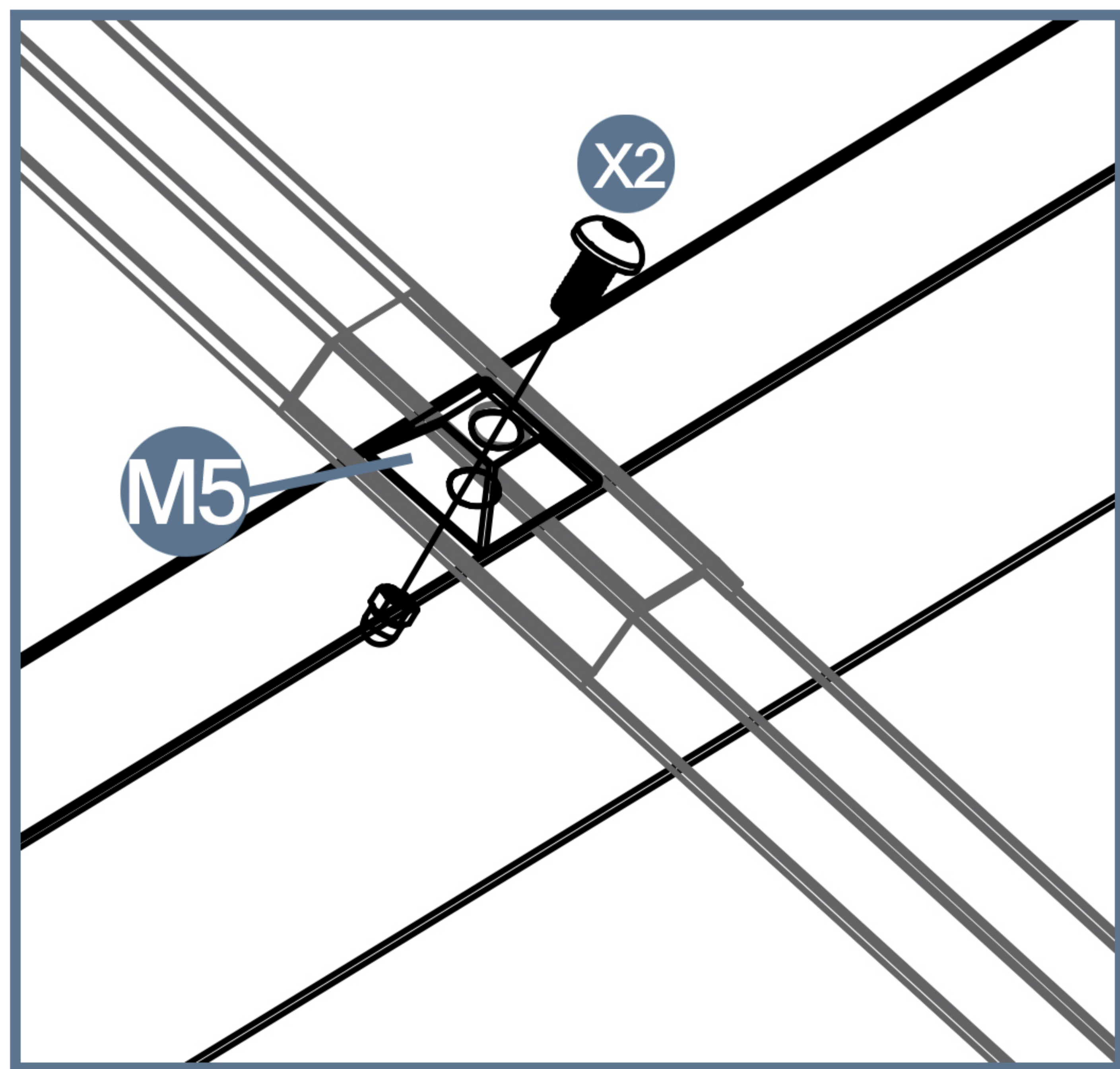
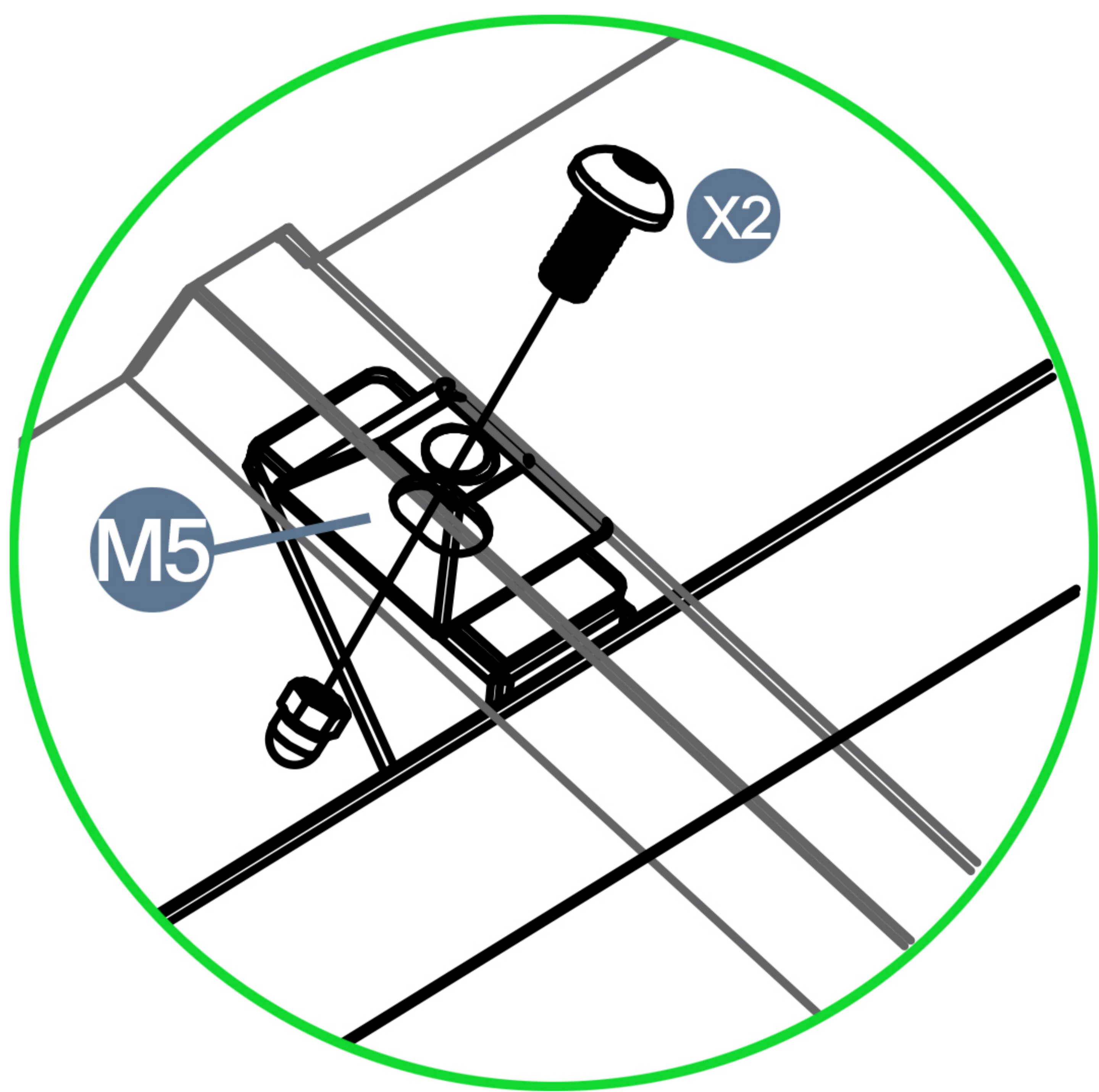


M5 12pcs



X2 12pcs

First, install the part M5. Then, install the N panels in sequence.



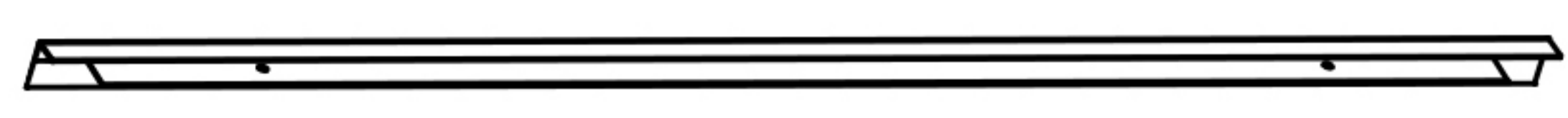
Keep all parts! For missing parts or installation issues, contact us.



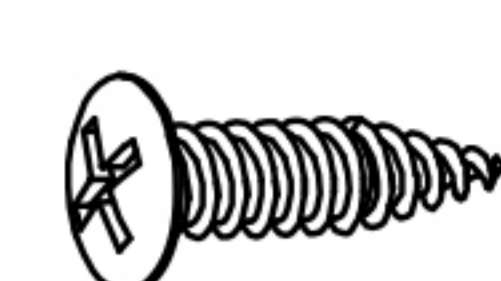
E-mail: cs.helper01@gmail.com

STEP 21

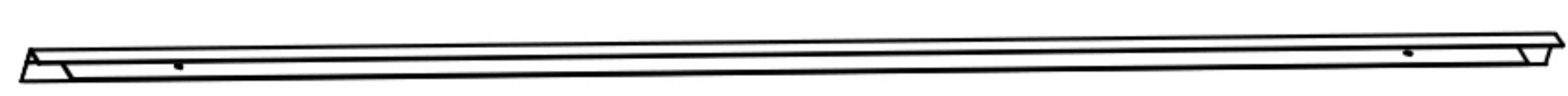
Parts required



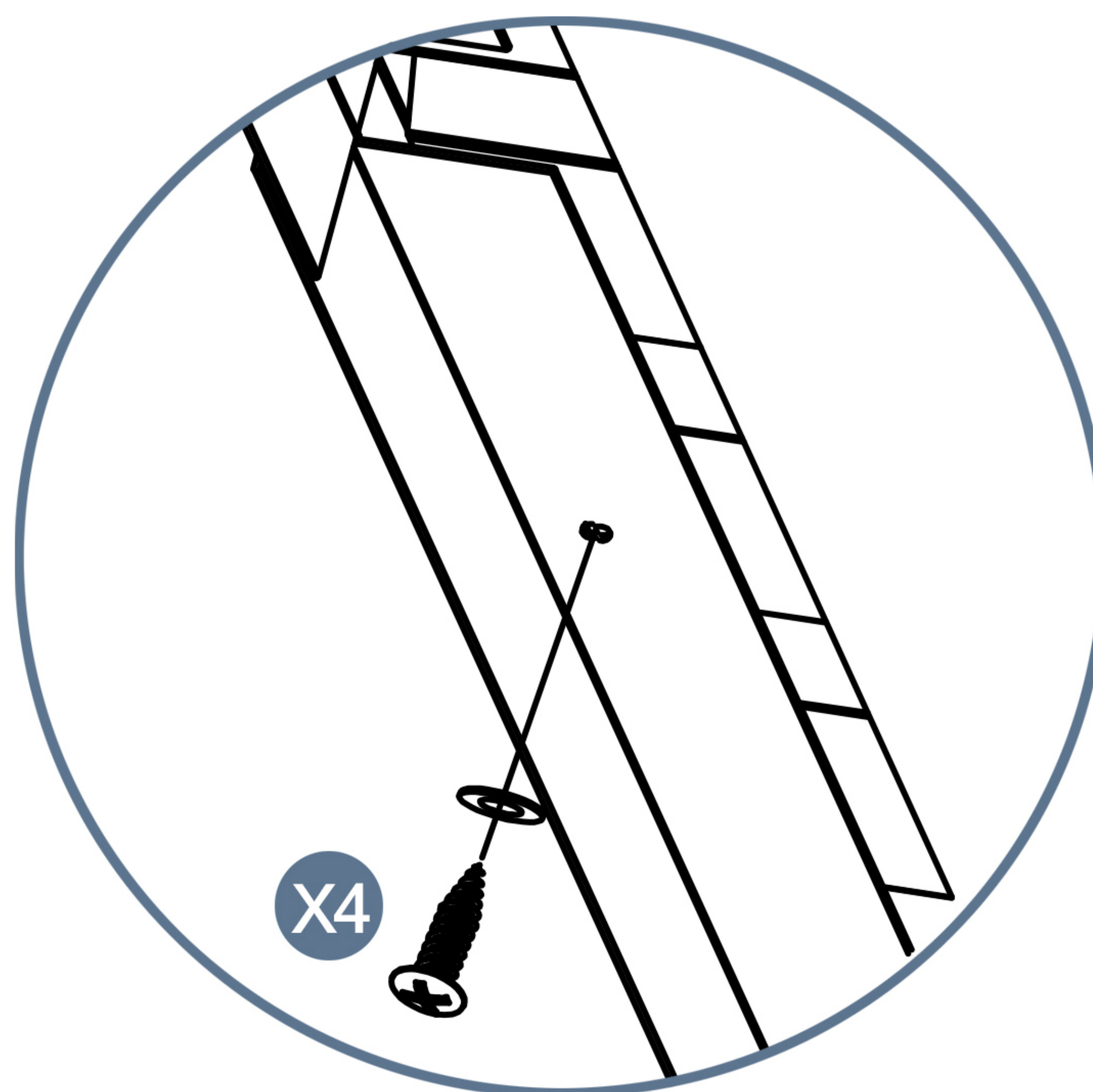
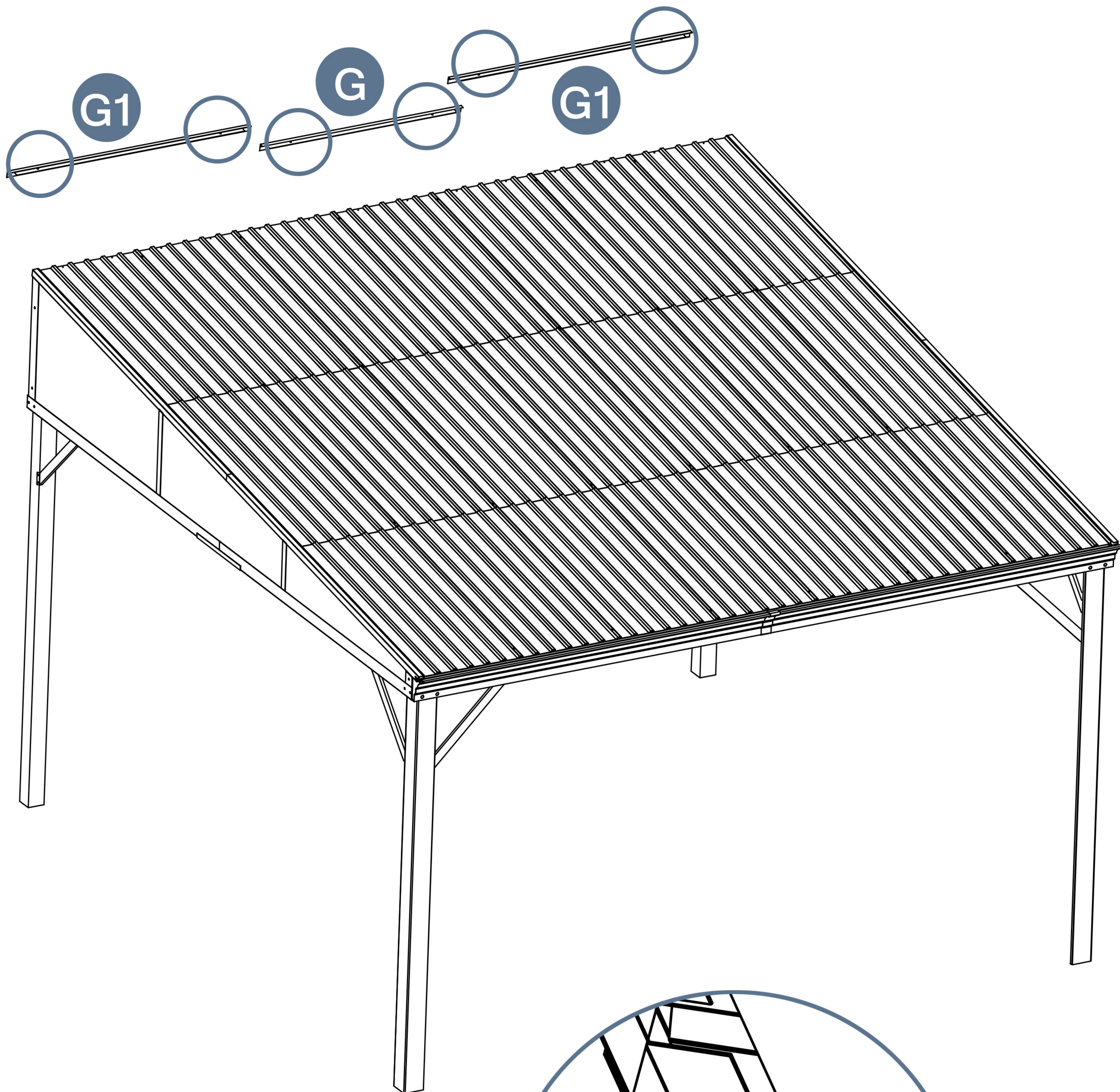
G 1pcs



X4 6pcs



G1 2pcs

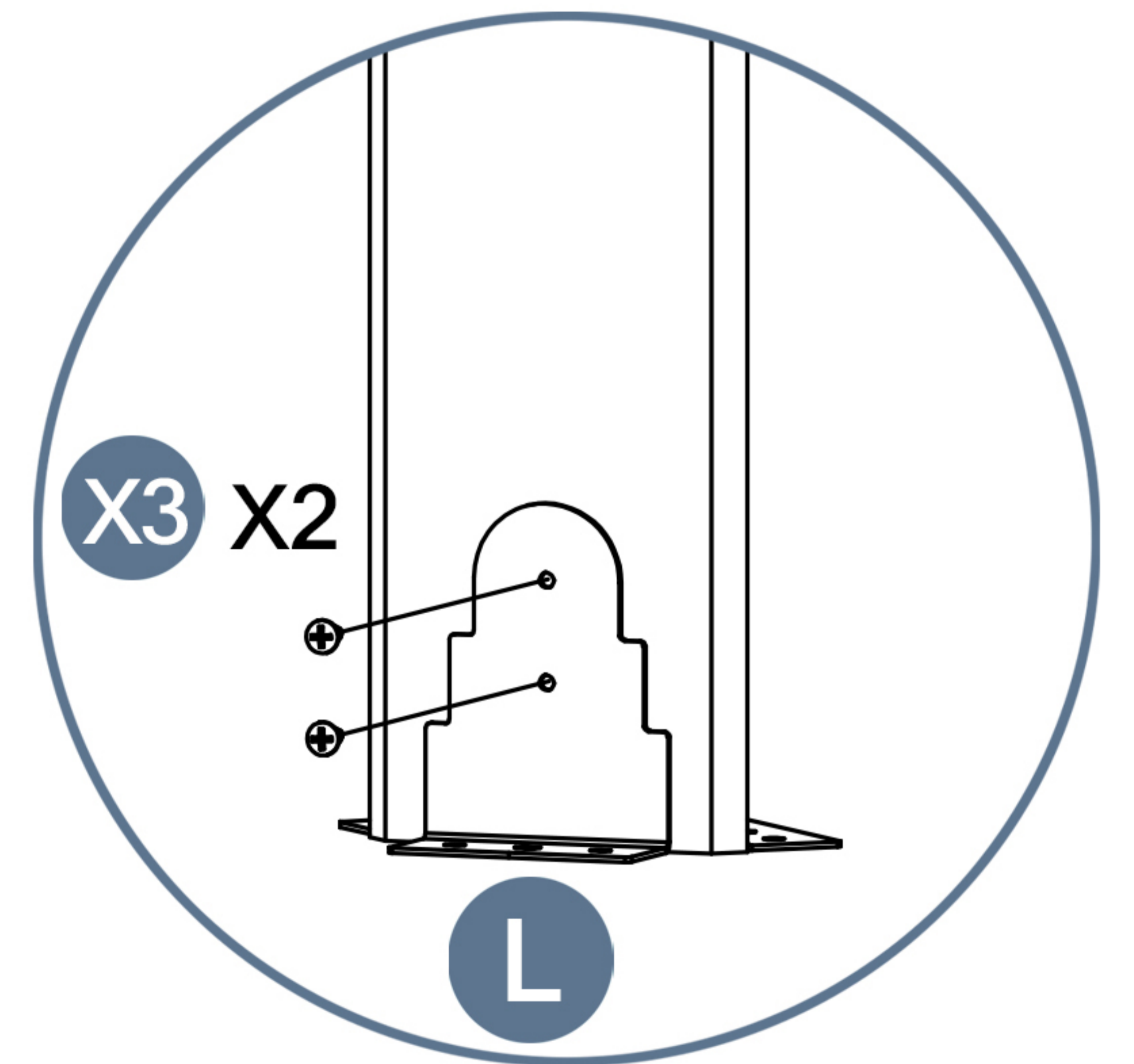
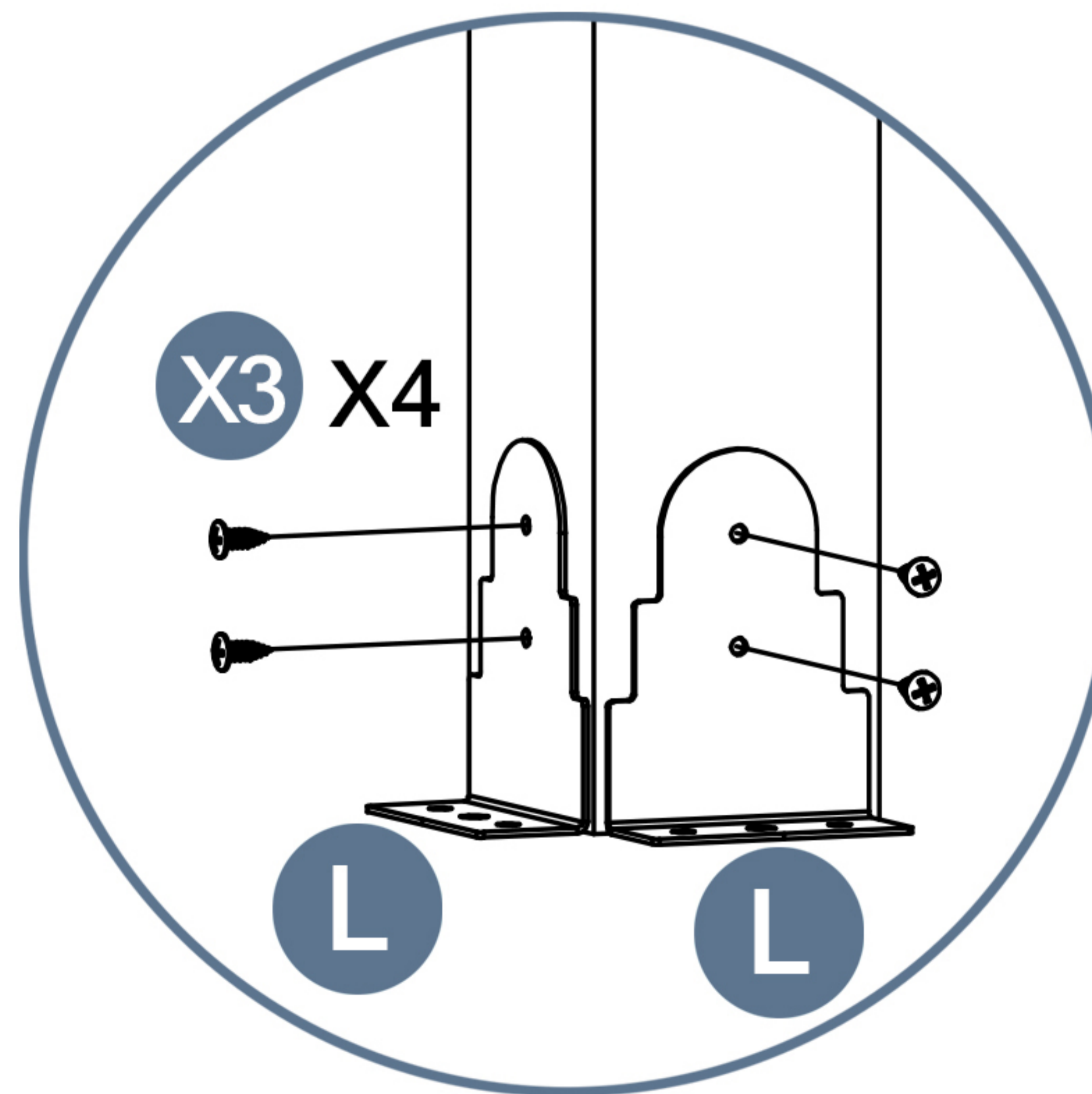
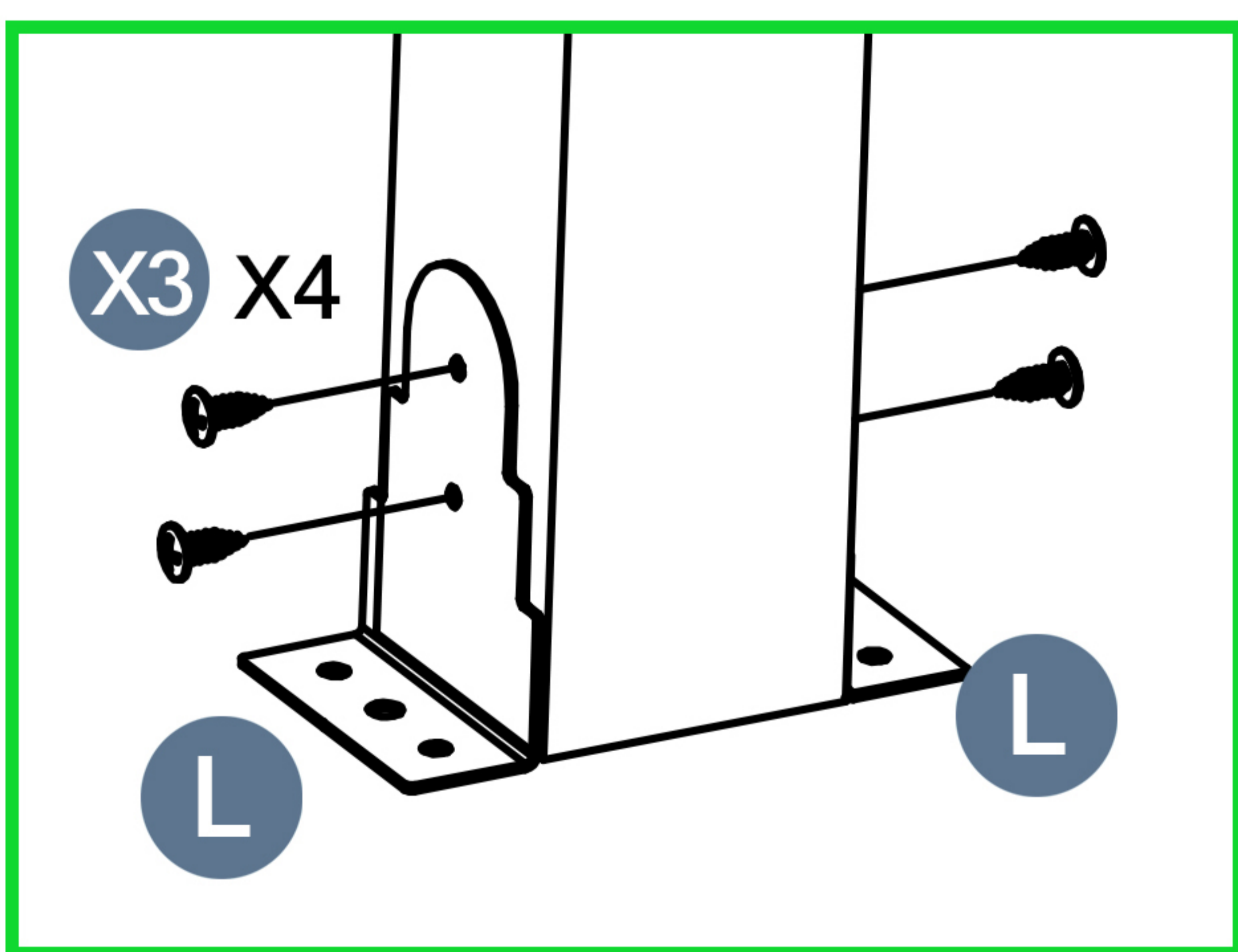
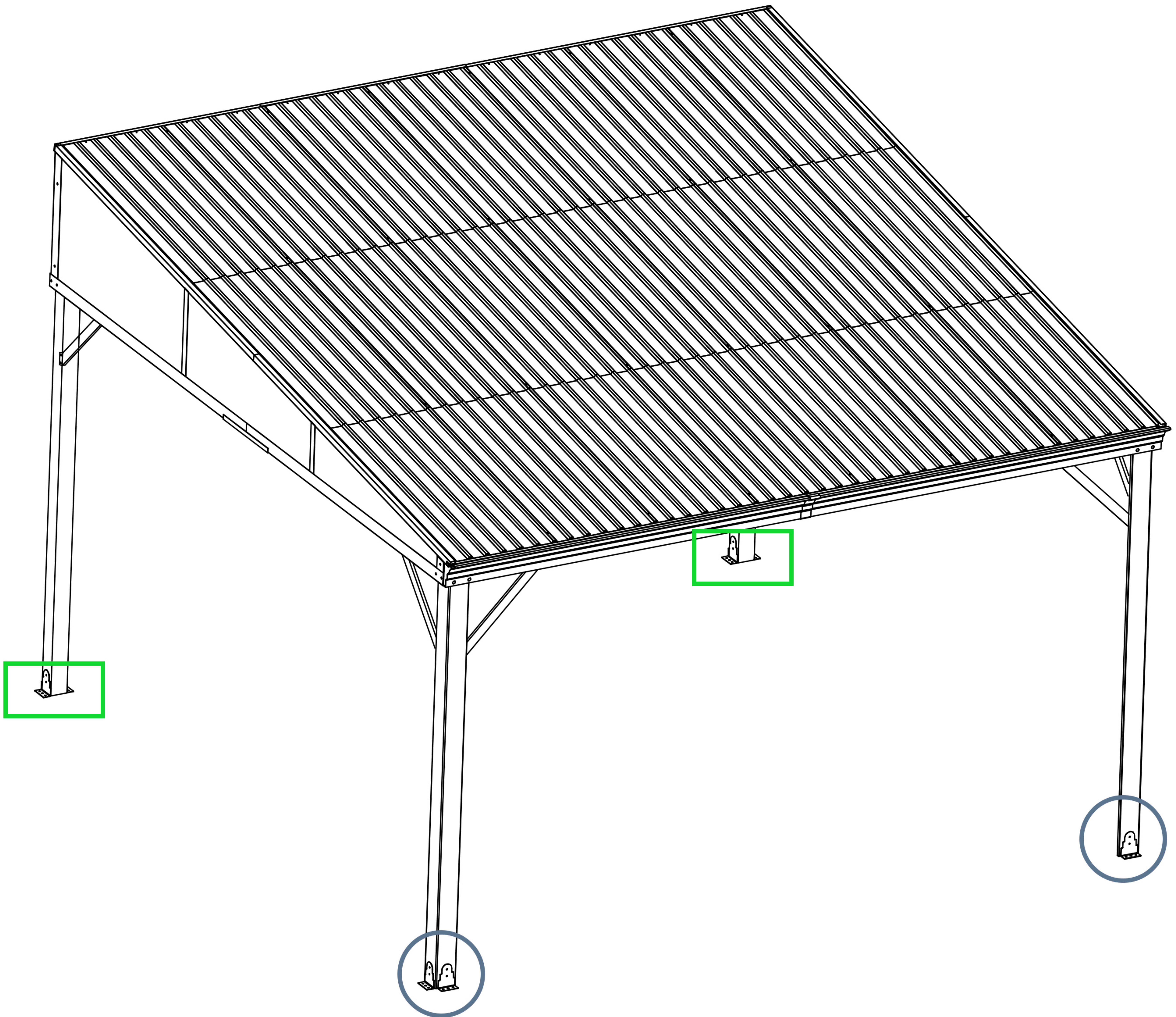


! Keep all parts! For missing parts or installation issues, contact us.

➔ ✉ E-mail: cs.helper01@gmail.com

STEP 22

Parts required



Keep all parts! For missing parts or installation issues, contact us.



E-mail: cs.helper01@gmail.com

STEP 23

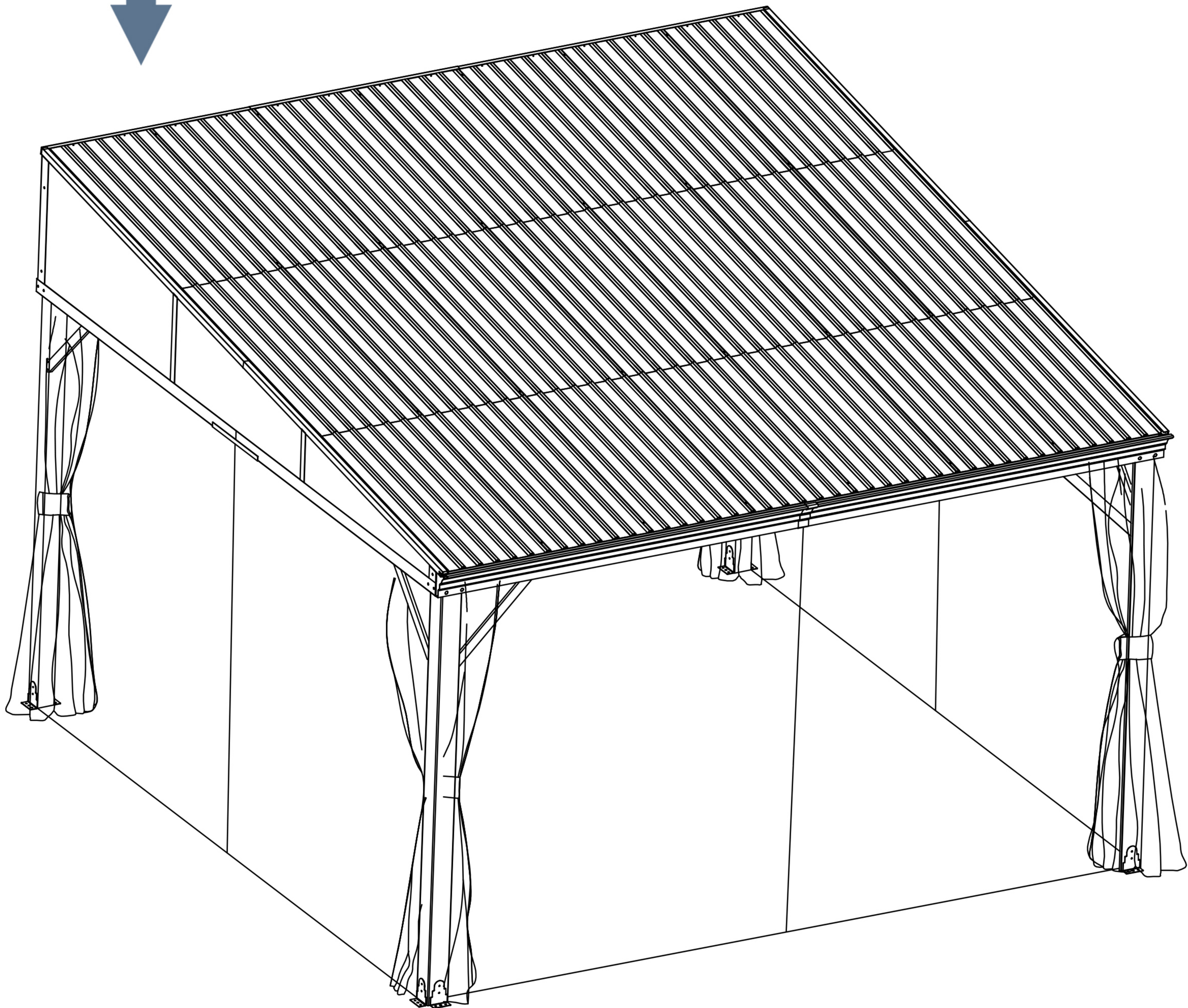
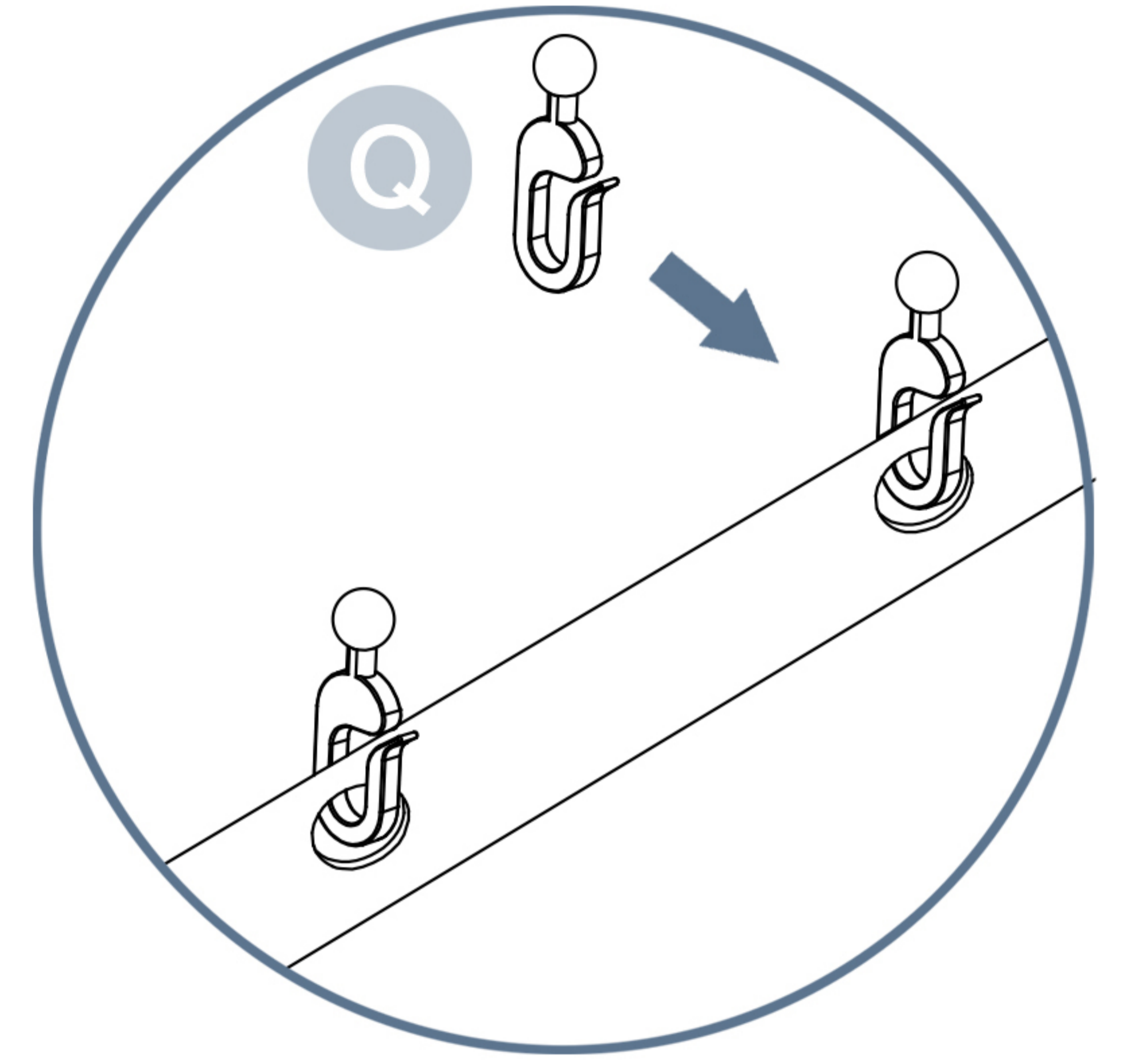
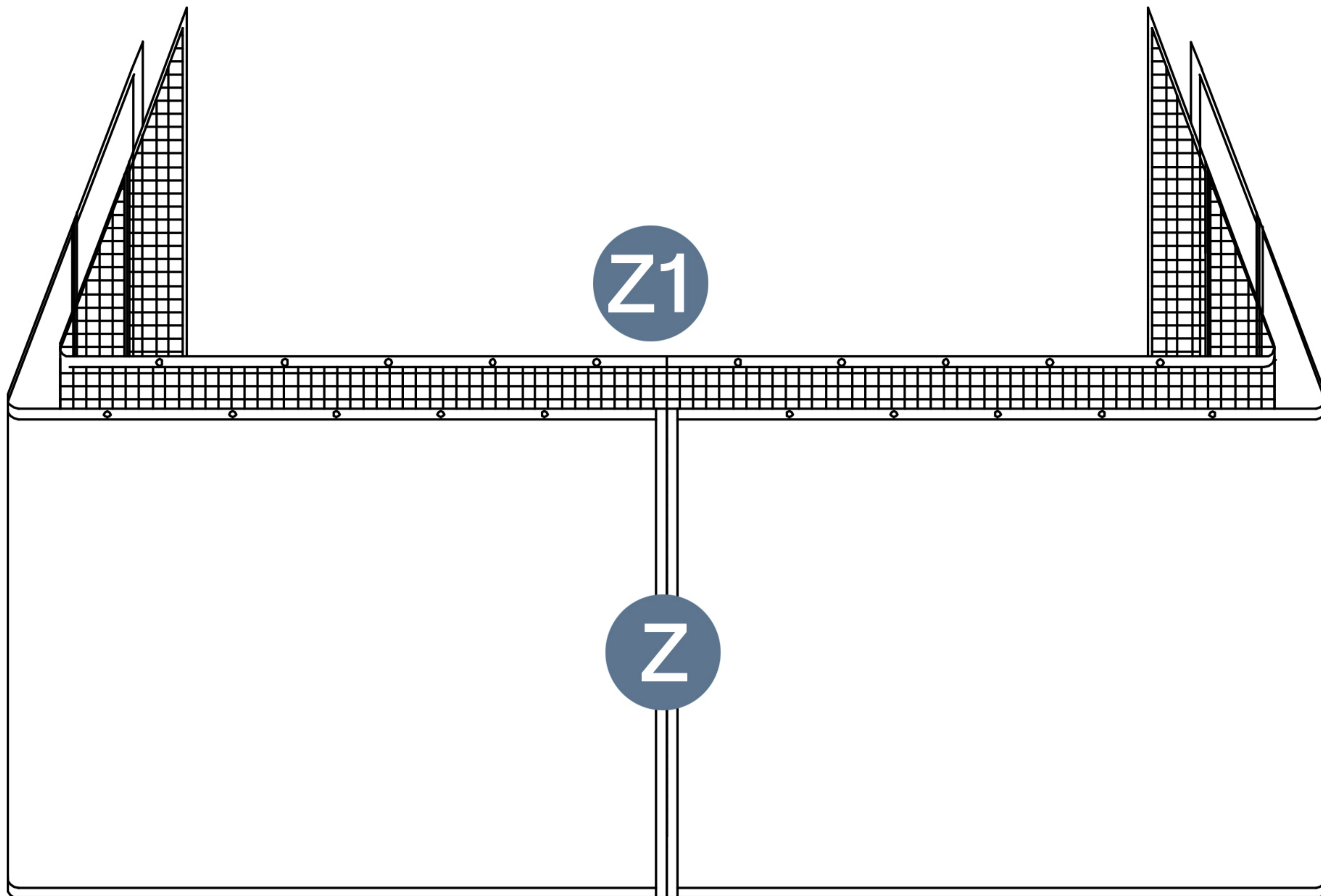
Parts required



Z 1pcs



Z1 1pcs

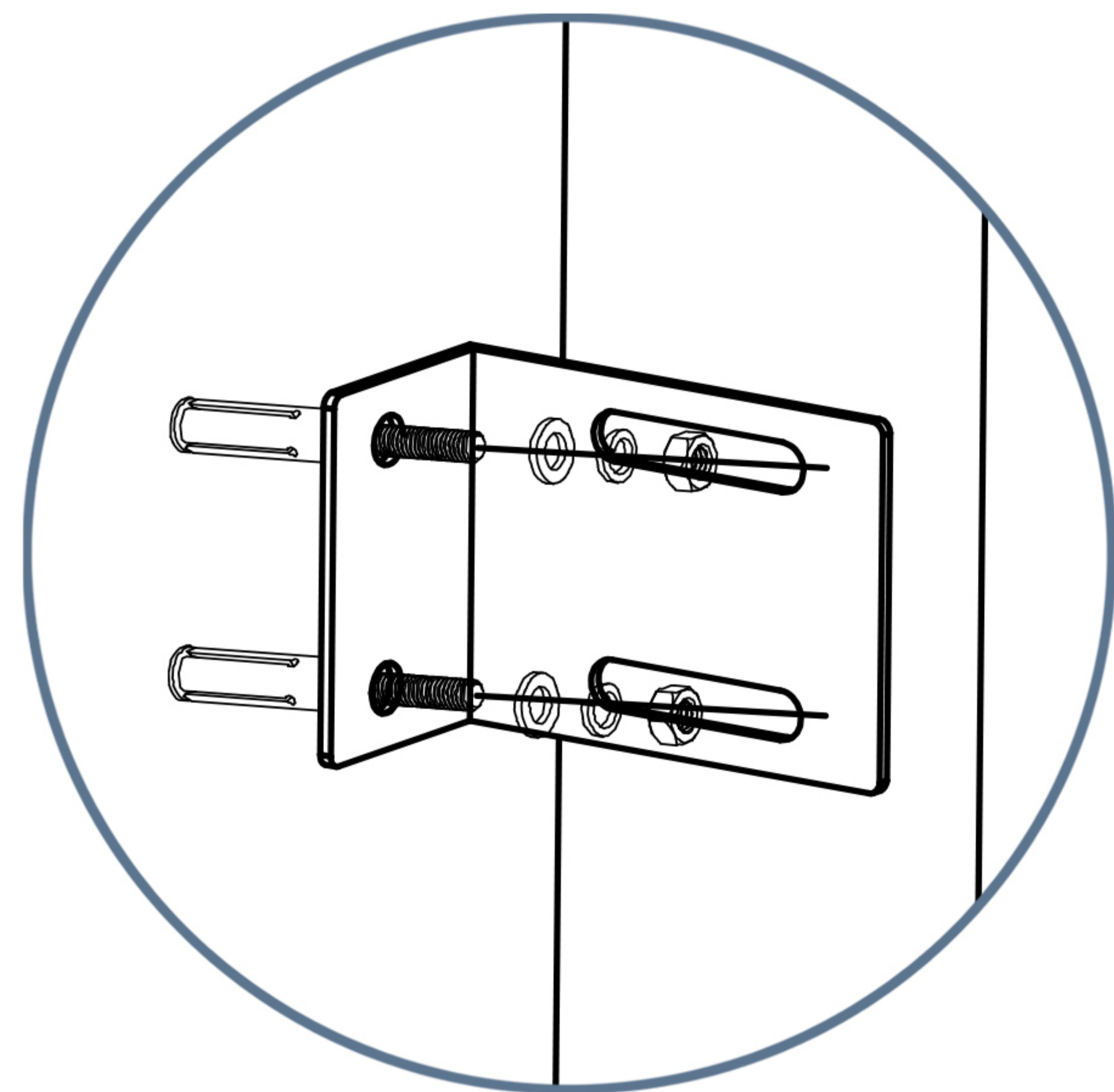
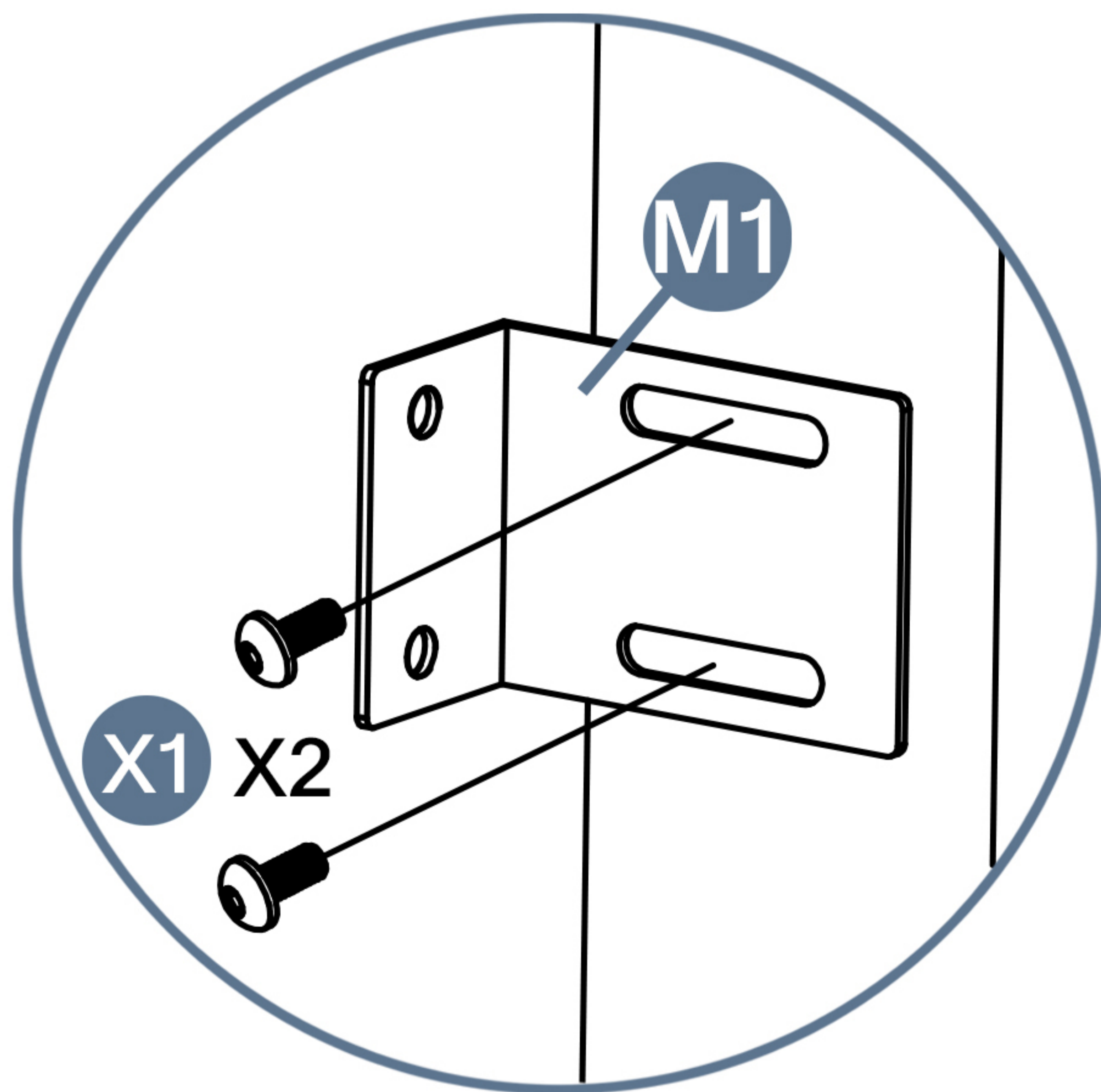
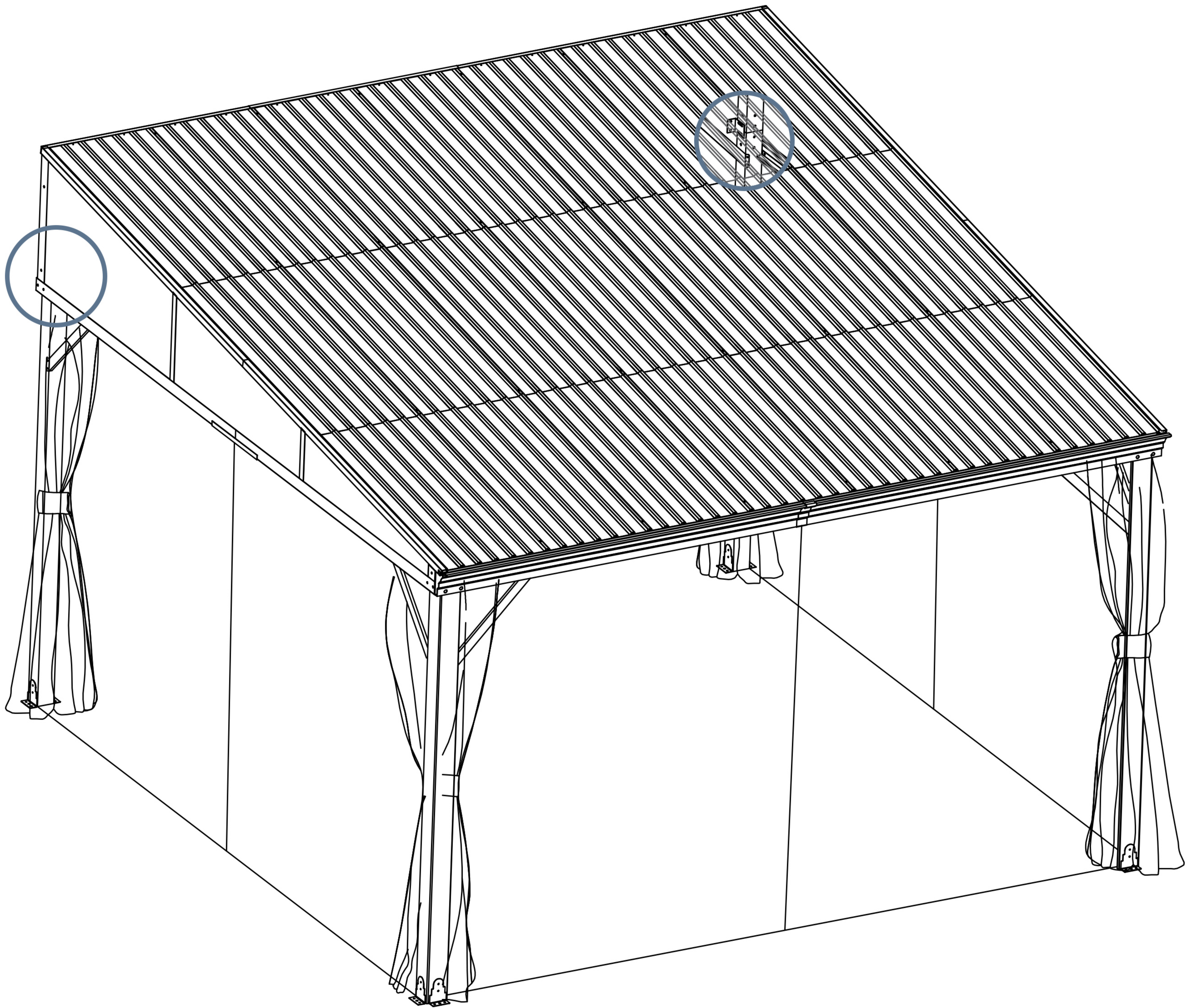


! Keep all parts! For missing parts or installation issues, contact us.

➔ ✉ E-mail: cs.helper01@gmail.com

STEP 24

Parts required



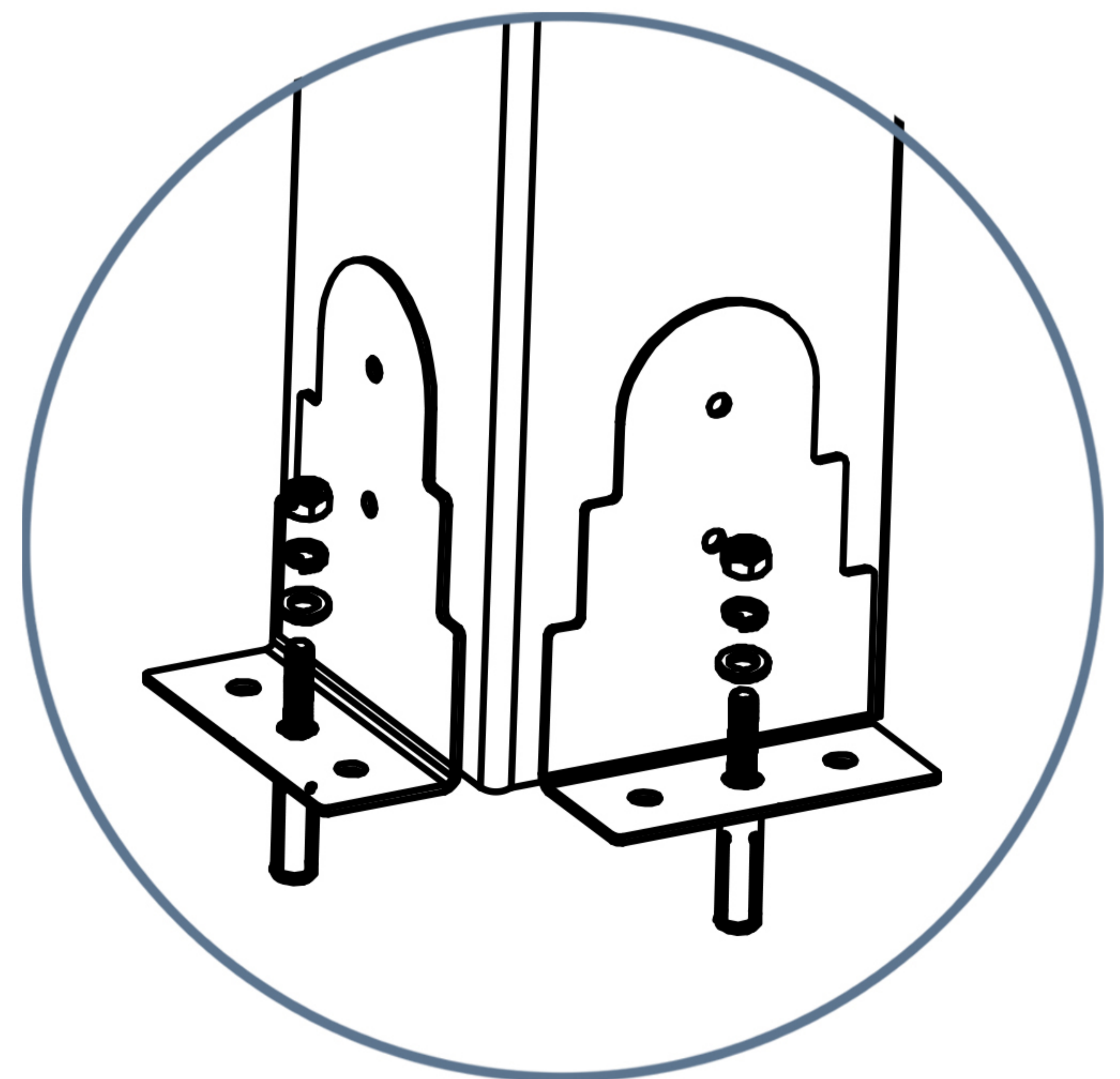
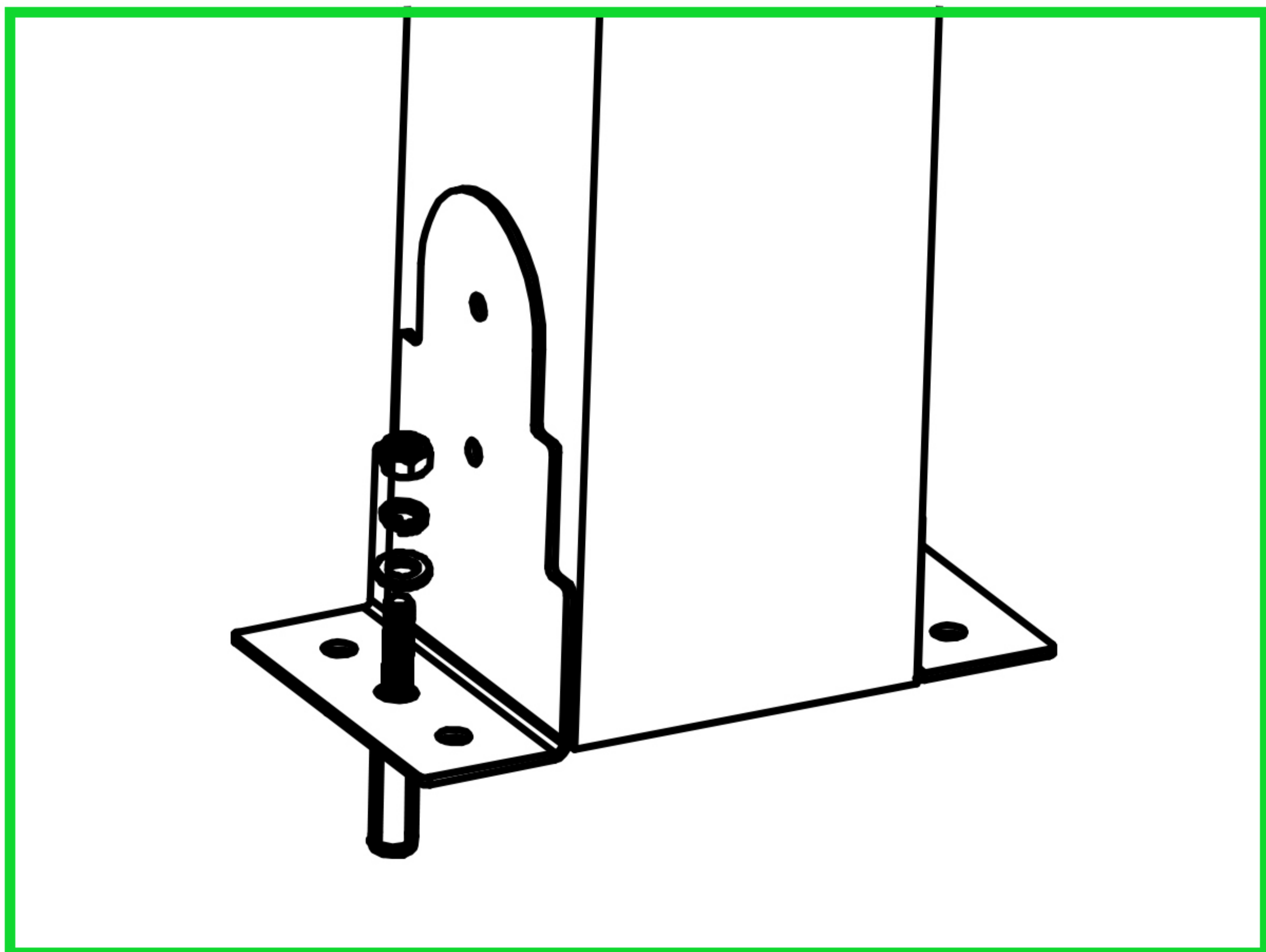
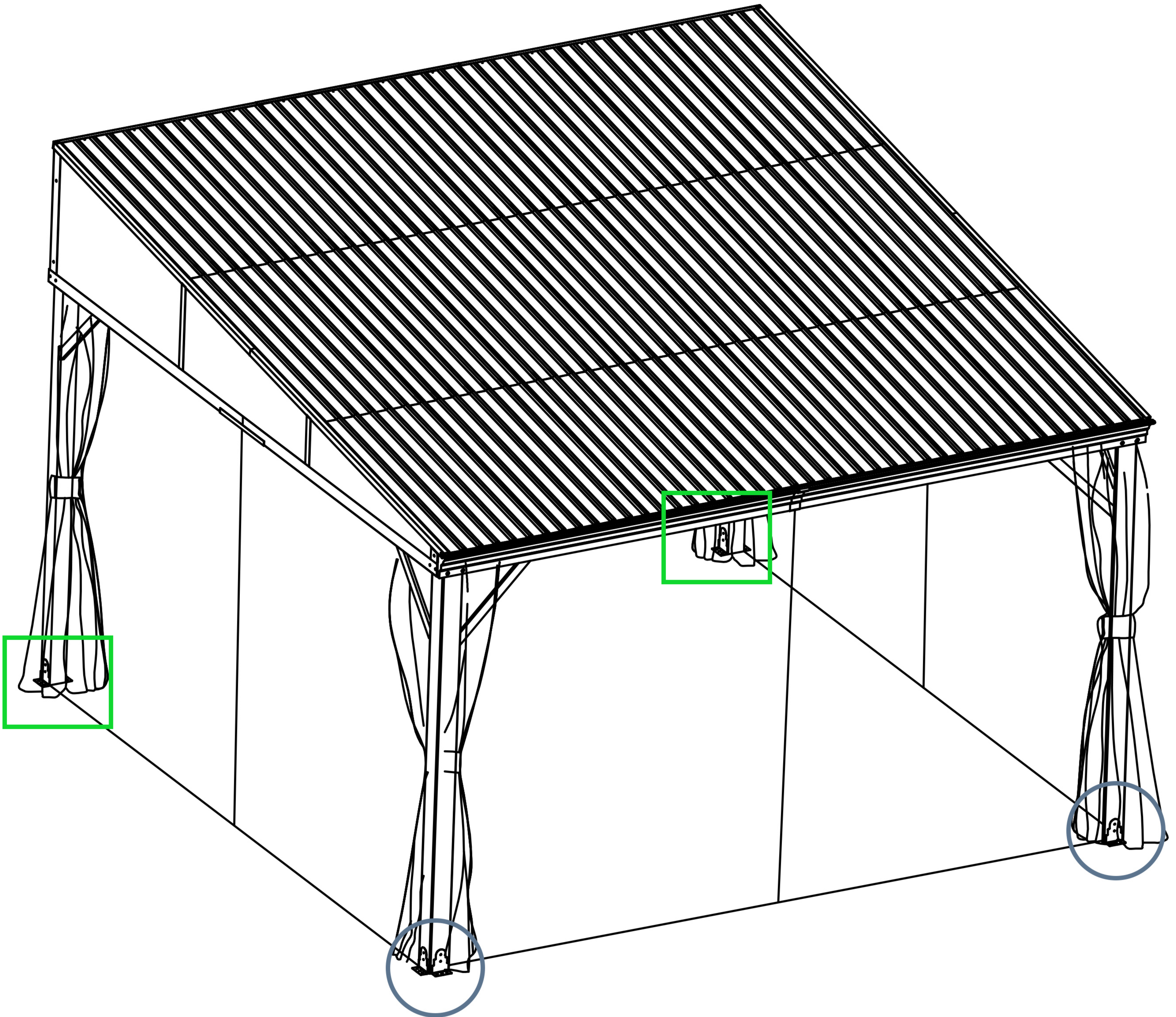
Keep all parts! For missing parts or installation issues, contact us.



E-mail: cs.helper01@gmail.com

STEP 25

Parts required

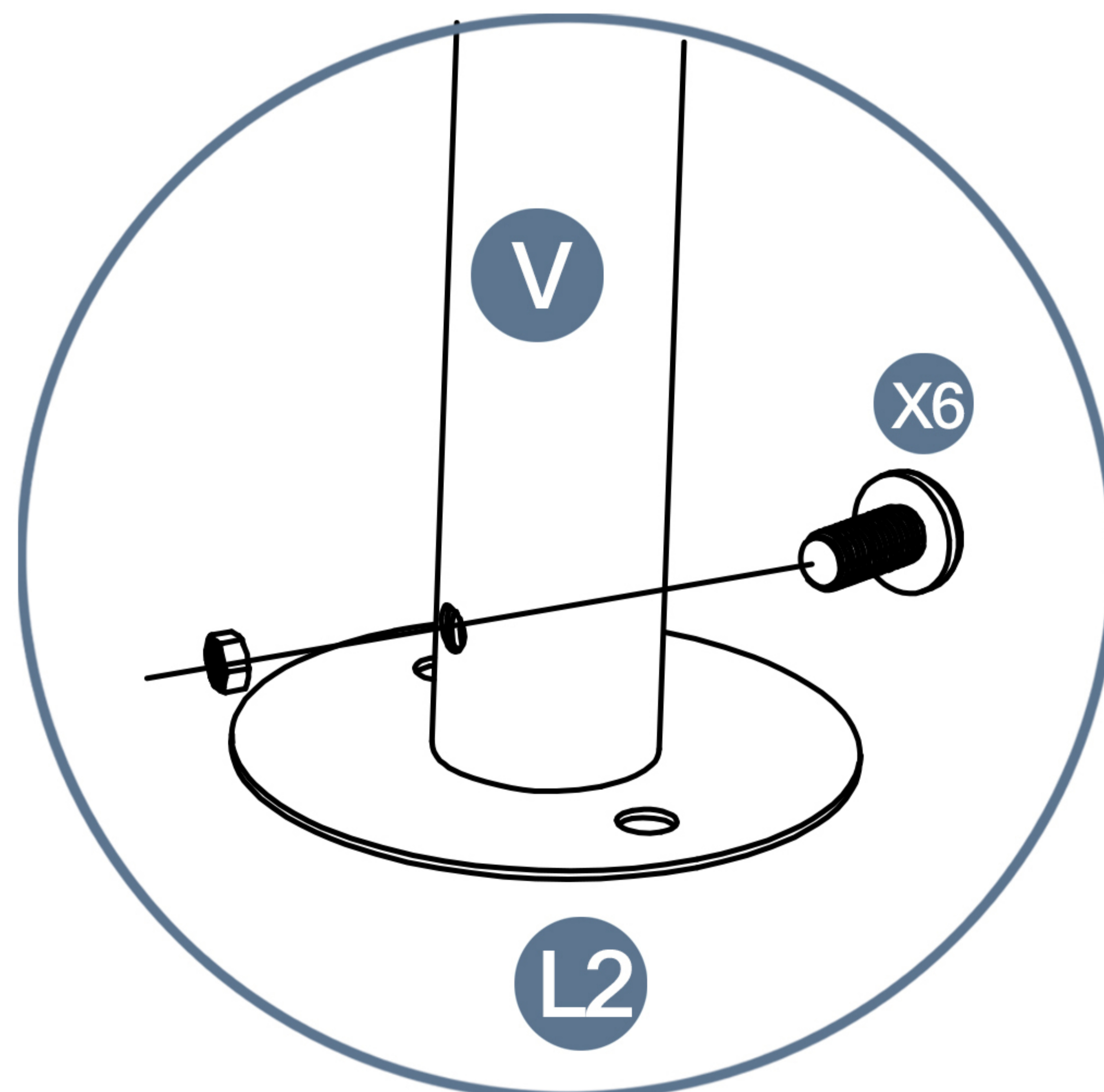
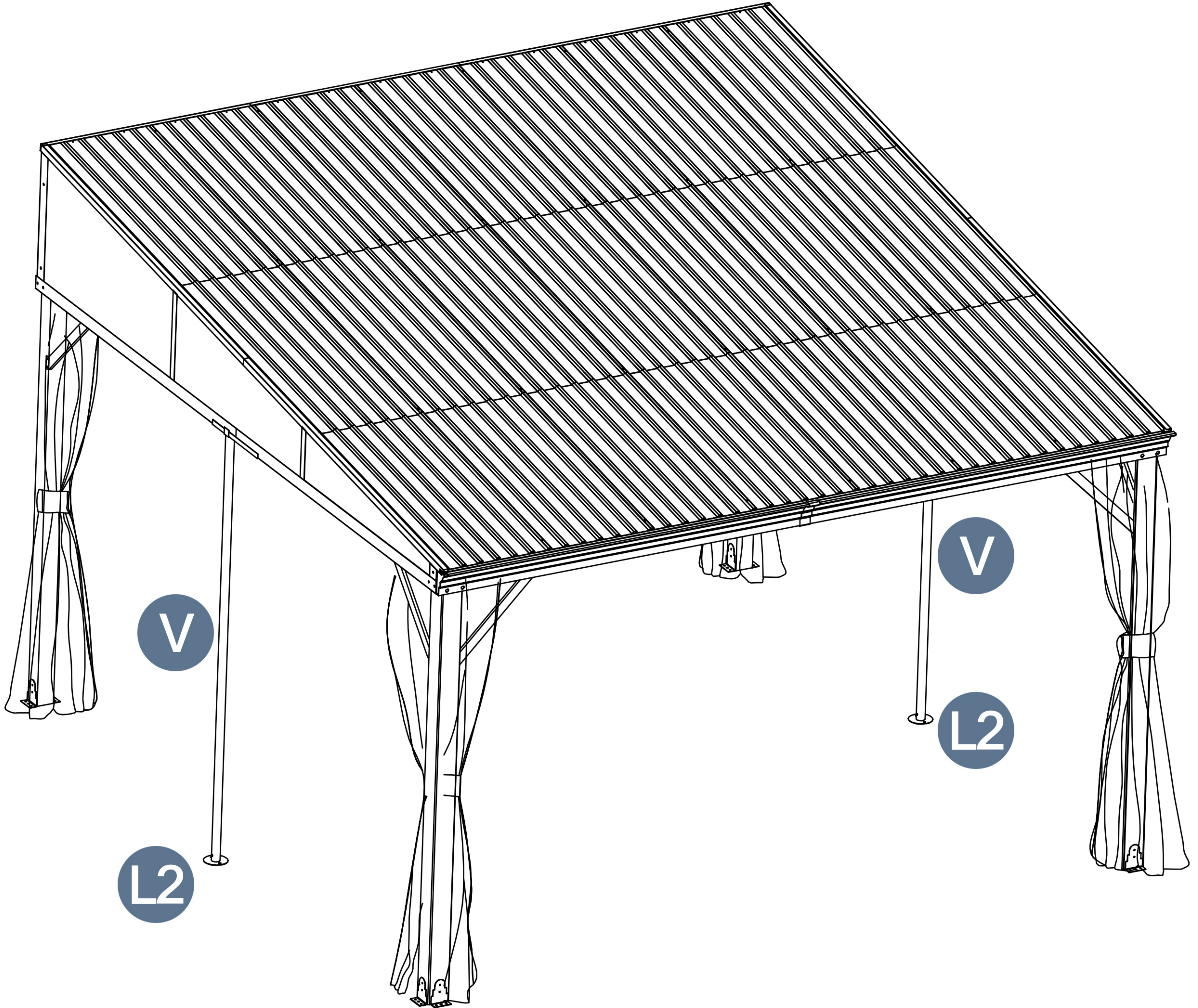
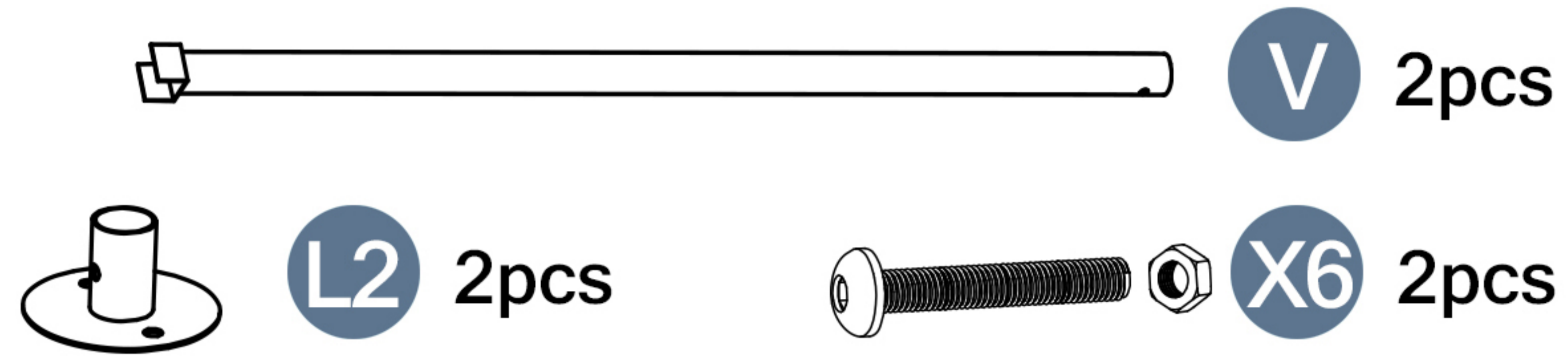


! Keep all parts! For missing parts or installation issues, contact us.

➔ ✉ E-mail: cs.helper01@gmail.com

STEP 26

Parts required



Keep all parts! For missing parts or installation issues, contact us.



E-mail: cs.helper01@gmail.com