

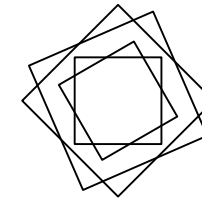
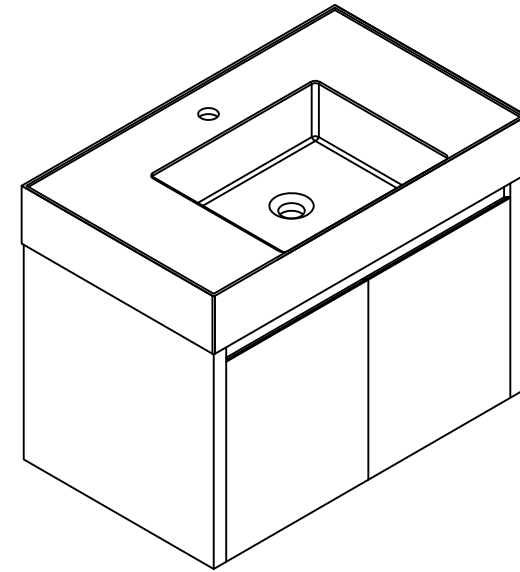
Installation Manual-

BV B03524
BV B03530
BV B03536

**MOTIVATE
YOUR LIFE !**

THANKS FOR WATCHING

Your feedback is invaluable to us and we would love to hear about your experience. Please take the time to leave us a review.




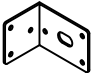









Thank you for shopping with us!

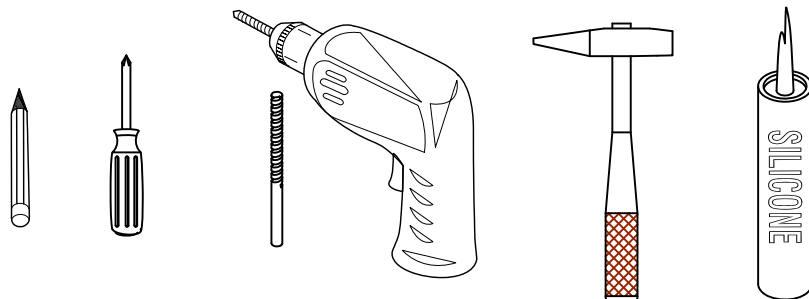
We encourage you to take a few minutes to go through this booklet. It contains important information on installation and care tips to keep your furniture looking as good as new.

Item NO.:BV B03524 / BV B03530 / BV B03536

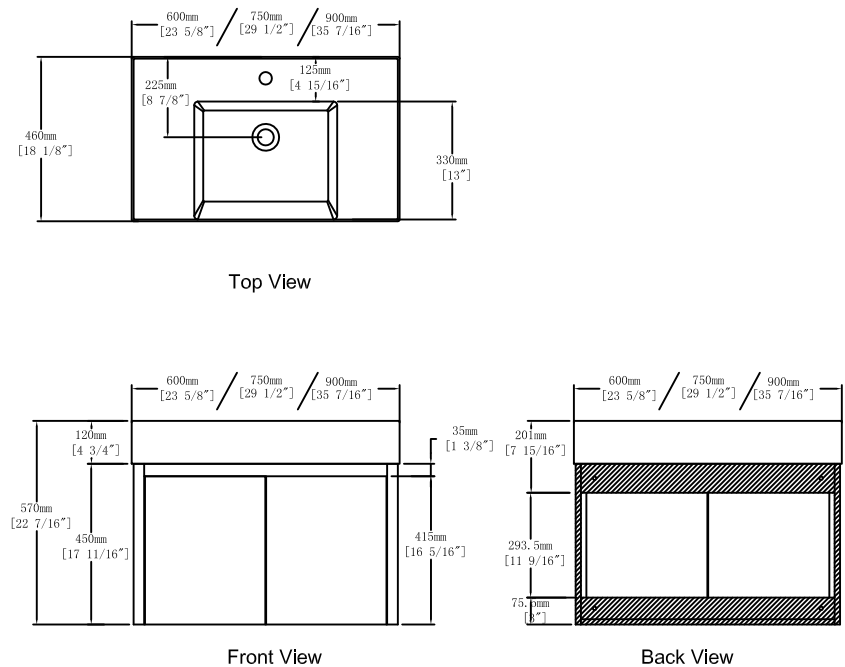
Hardware

NO.	Draw	QTY	NO.	Draw	QTY
A	 Screws Ø4x14mm	44	F	 Screws for fix on the wall	4
B	 Two-in-one connector	17	G	 Bracket (53x70x44mm)	2
C	 Two-in-one connector	17	H	 Bracket (19x19x35mm)	2
D	 Wood plug	4	I	 Hinges (Internal hiding)	4
E	 Plastic anchor(Ø10mm)	4	J	 Anti-collision gasket	4
			K	 Screwdriver	1

Recommended tools



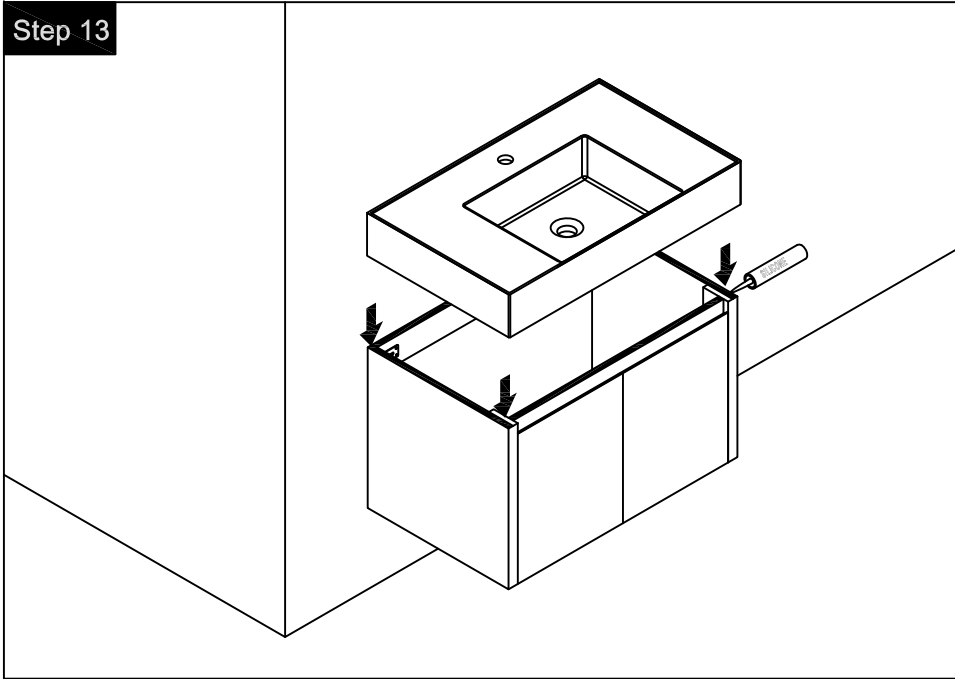
Dimensions



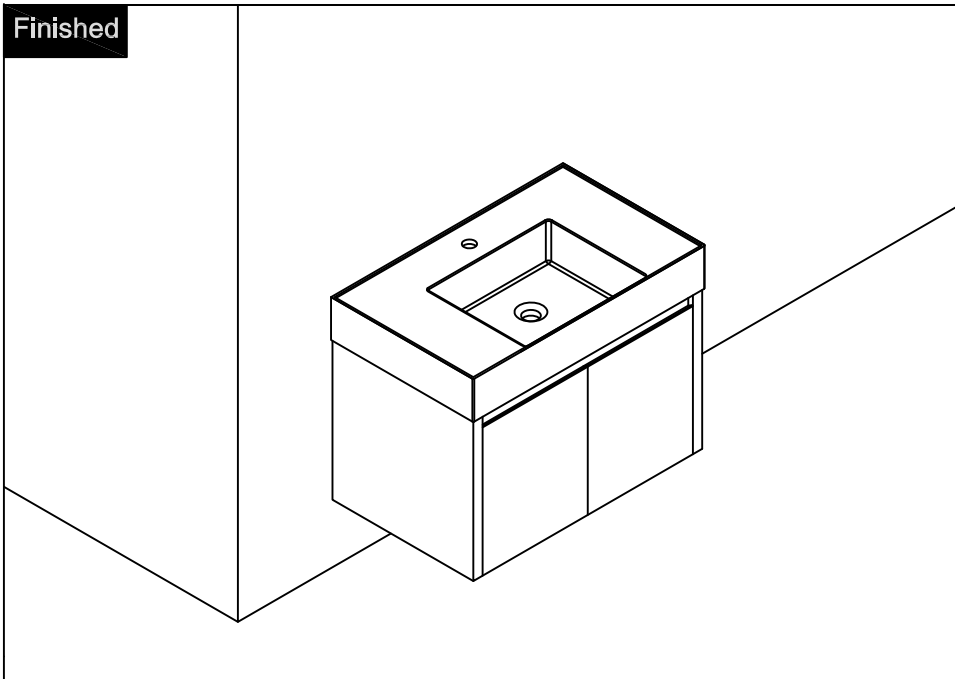
CARE CLEANING AND MAINTENANCE

1. Dust regularly with a soft , dry cloth.
2. Avoid the use of all chemicals household cleaners, abrasives, or cleaners that contain lemon, vinegar, or other acids that may damage the finish.
3. Excessive exposure to sunlight and extreme changes in temperature and moisture can damage wood furniture.
4. The sink top is resilient, but care needs to be taken to preserve its appearance.
5. Do not place hot appliances, such as curling irons and hot hair dryers directly on the countertop. Wipe spills immediately.

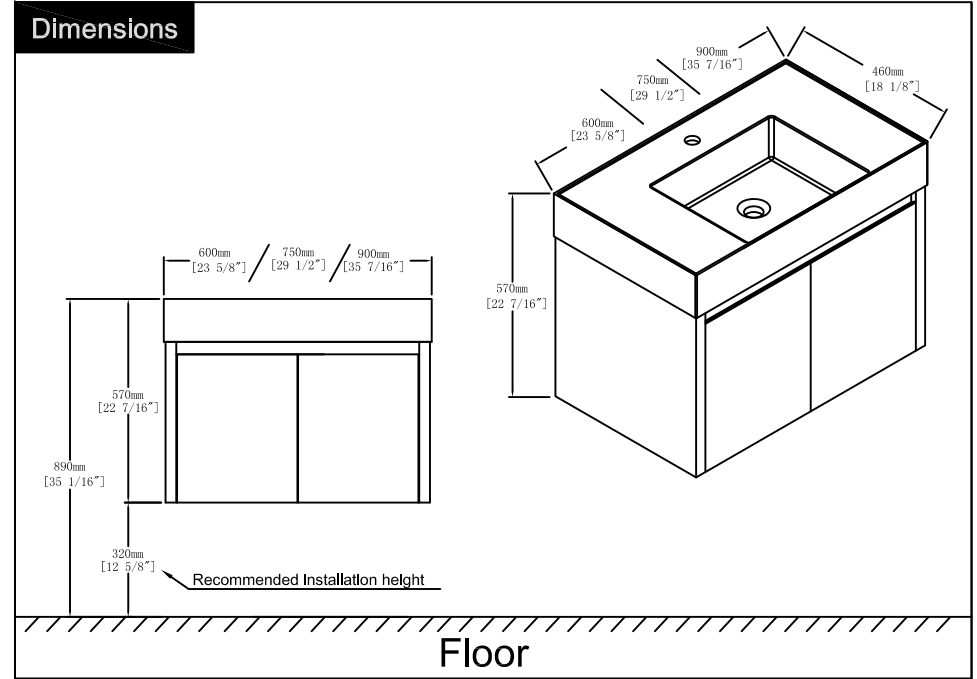
Step 13



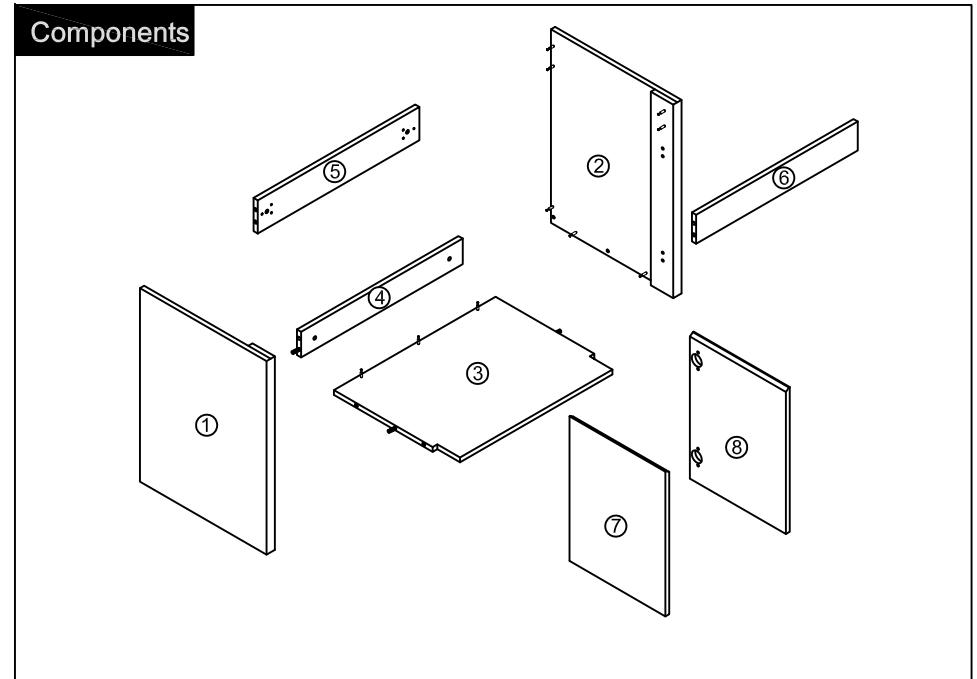
Finished



Dimensions



Components



Step 1

Attention: The lock handle arrow points to the side face.

Notes: Screw installation depth as shown

	x3
B	
	x3
C	
	x1
K	

Step 2

Note: The D parts are used for these two holes

first step second step third step

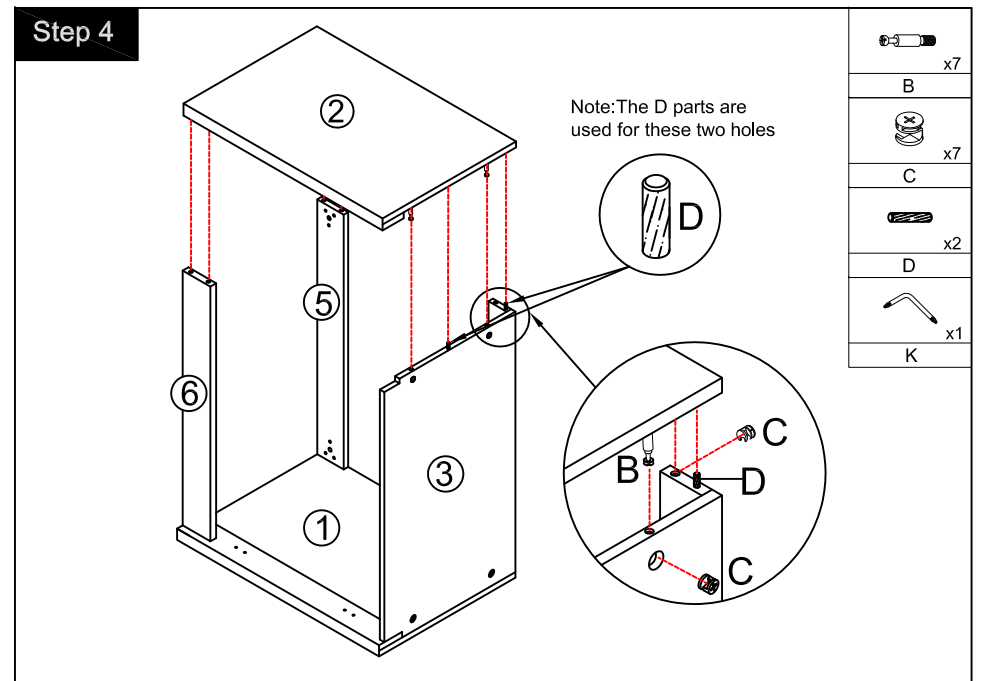
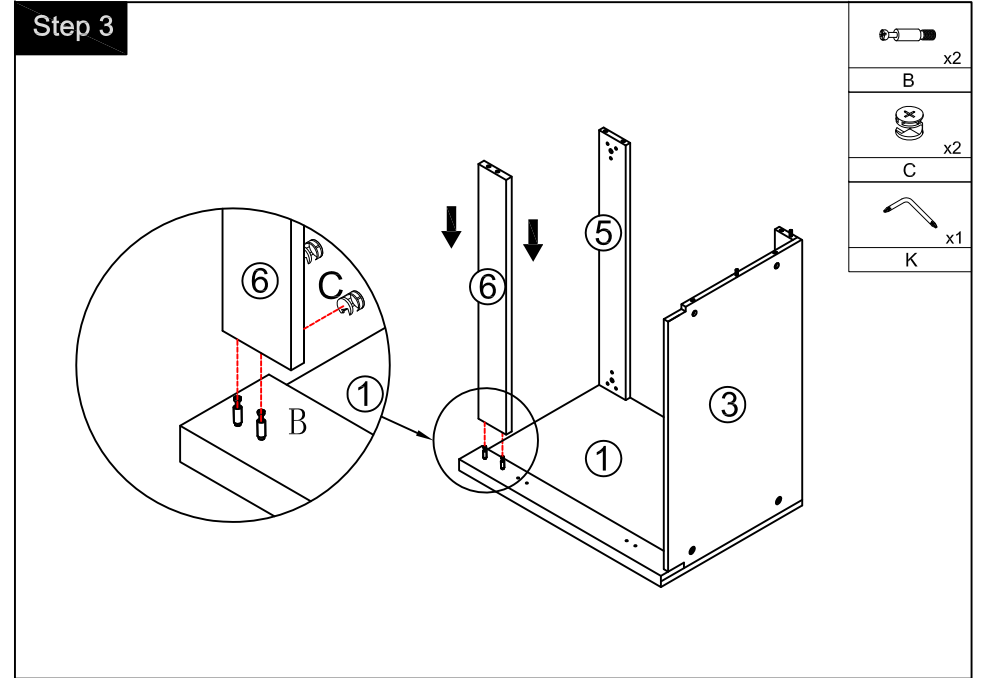
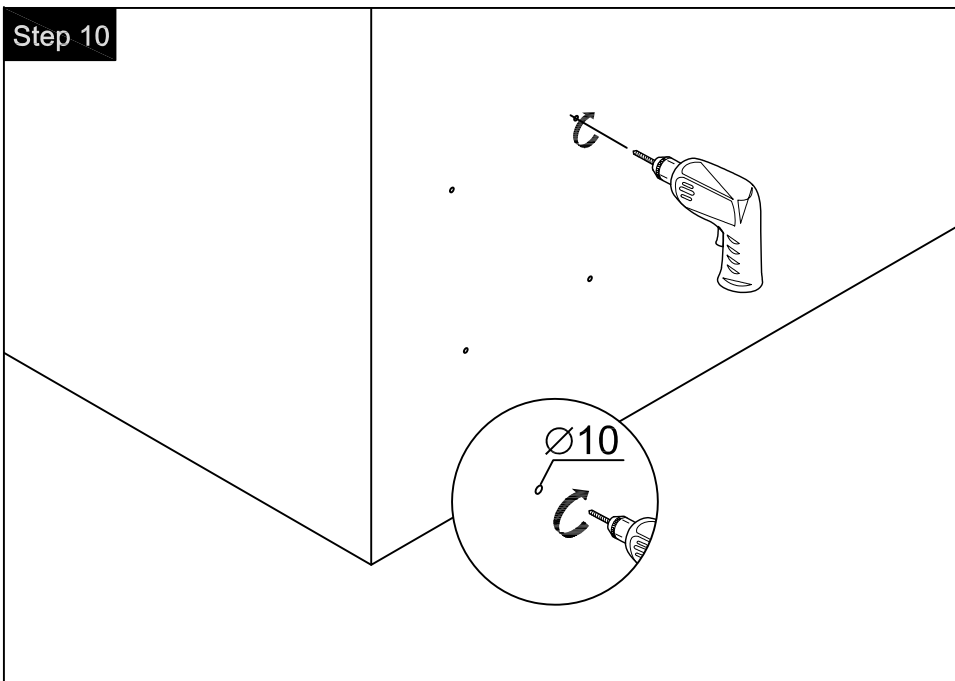
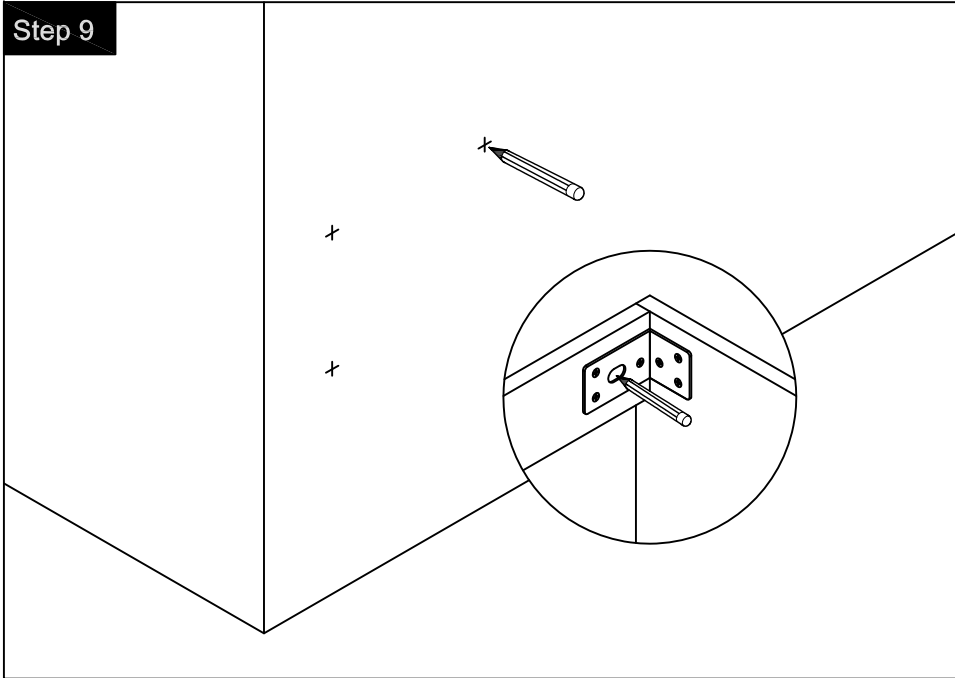
	x5
B	
	x5
C	
	x2
D	
	x1
K	

Step 11

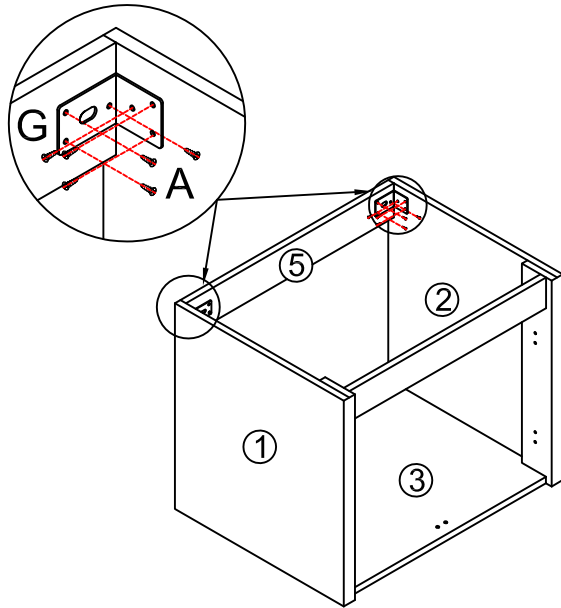
	x4
E	
Tool	




Step 12

	x4
F	
Tool	

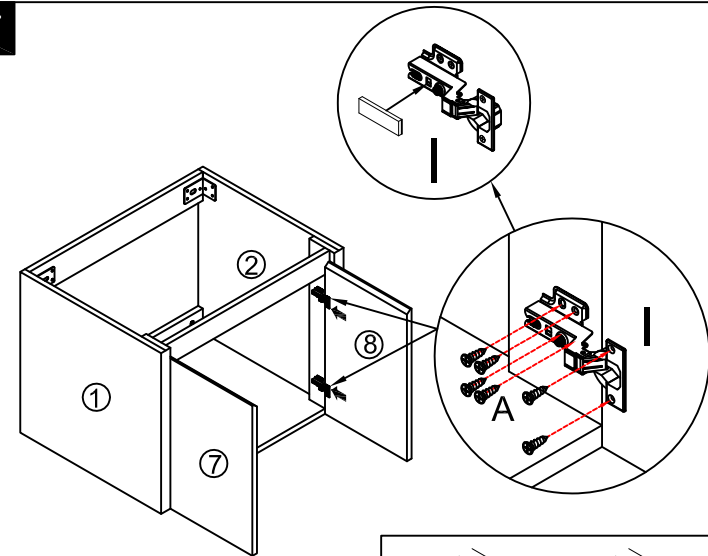


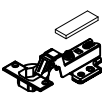


Step 5



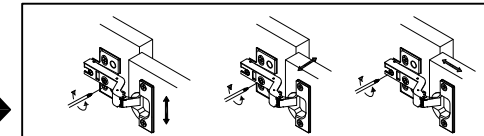
	x2
G	(∅4 x 14mm)
	x12
A	
	
Tool	

Step 7

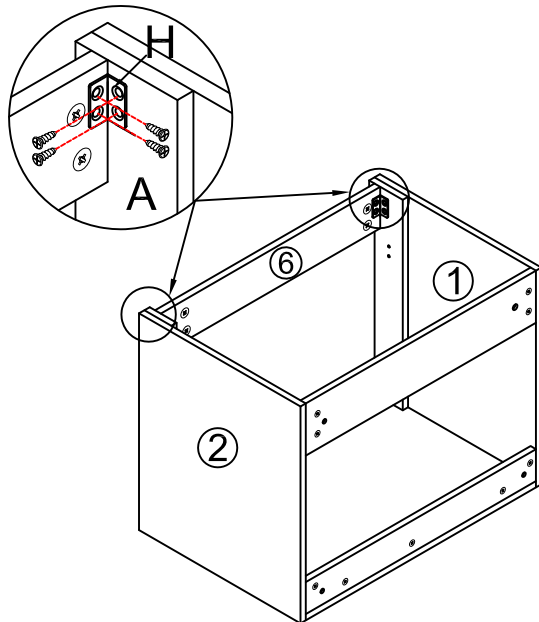





	x4
I	(∅4 x 14mm)
	x24
A	
	
Tool	

You can adjust the doors by tightening or loosening the screws on the hinge. →

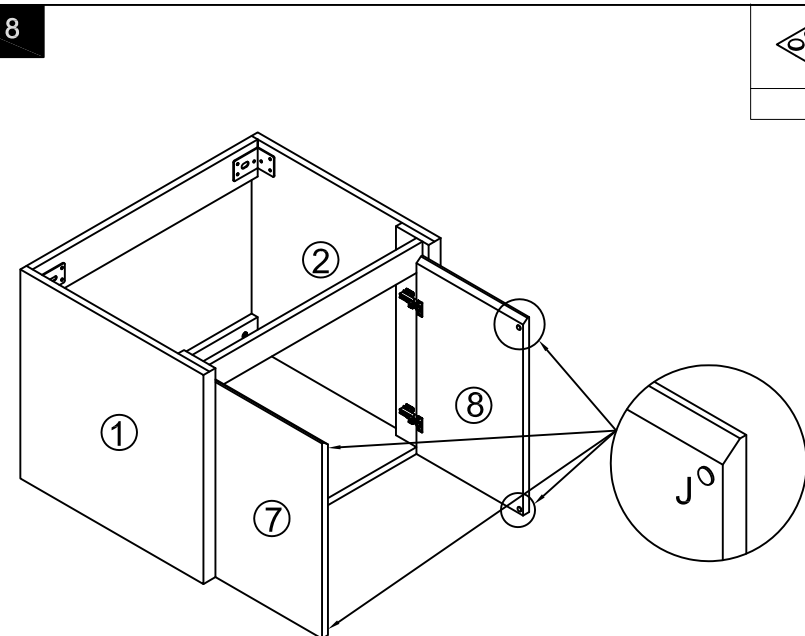



Step 6



	x2
H	(∅4 x 14mm)
	x8
A	
	
Tool	

Step 8



	x3
J	