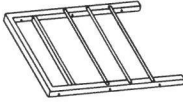
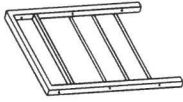

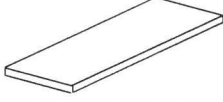
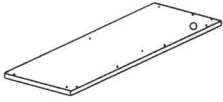
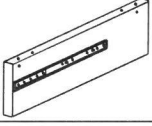
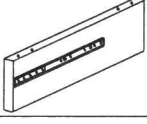
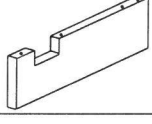
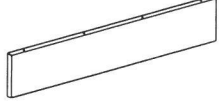
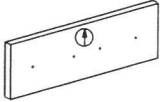
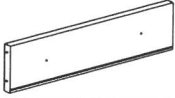

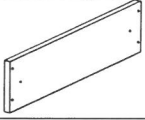
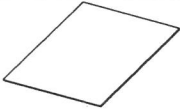




ASSEMBLY INSTRUCTION

Thank you for purchasing this quality product. Be sure to check all packing material carefully for small parts which may have come loose inside the carton during shipment. Separate, identify and count all parts and metal hardware. Compare with parts list to be sure all parts are present. If any part(s) are missing or damaged, please contact your local furniture dealer. For efficient and speedy service, please indicate the model number and code letter of part(s) needed.

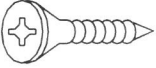


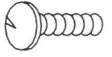
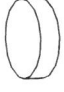
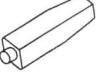

*****Do not fully tighten screws until fully assembled*****

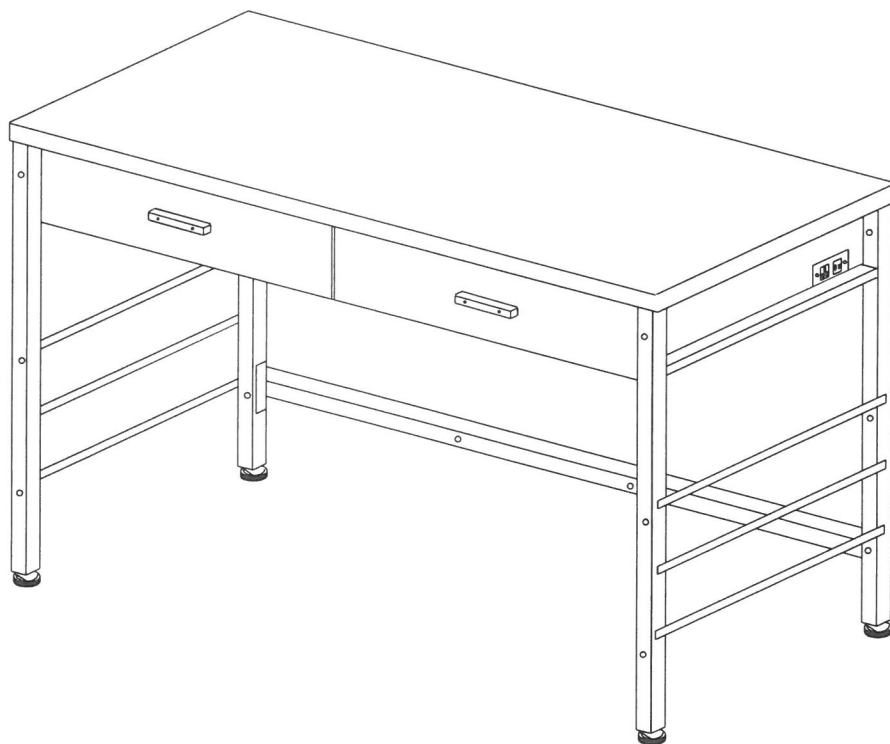
DESCRIPTION	COMPONENT PARTS		Q'TY (PCS)
	PART NAME		
①	RIGHT SIDE PANEL		1
②	LEFT SIDE PANEL		1
③	STRETCHER		1
④	TOP BOARD		1
⑤	BOTTOM BOARD		1
⑥	LEFT BOARD		1
⑦	MIDDLE BOARD		1
⑧	RIGHT BOARD		1
⑨	BACK BOARD		1
⑩	DRAWER FRONT(L & R)		2

⑪	DRAWER FRONT BOARD		2
⑫	DRAWER BACK BOARD		2
⑬	DRAWER SIDE BOARD		4
⑭	DRAWER BOTTOM BOARD		2
⑮	METAL GLIDE(SET)		2
⑯	USB		1

HARDWARE REQUIRED

①		LEVELER	M8 x 15mm	4 PCS
②		KNOB		2 PCS
③		WOOD DOWEL	30mm	19 PCS
④		CAM BOLT	Ø7 x 39mm	6 PCS
⑤		CAM LOCK	Ø15 x 12mm	6 PCS
⑥		BOLT	1/4" x 25mm	4 PCS
⑦		BOLT	1/4" x 12mm	4 PCS
⑧		SCREW	32mm	11 PCS

ⓐ		SCREW	25mm	16 PCS
ⓑ		SCREW	15mm	2 PCS
ⓒ		SCREW	12mm	12 PCS
ⓓ		BOLT	19mm	8 PCS
ⓔ		CAP	11mm	4 PCS
ⓕ		GLUE		1 PC
ⓖ		ALLEN KEY	1/4"	1 PC



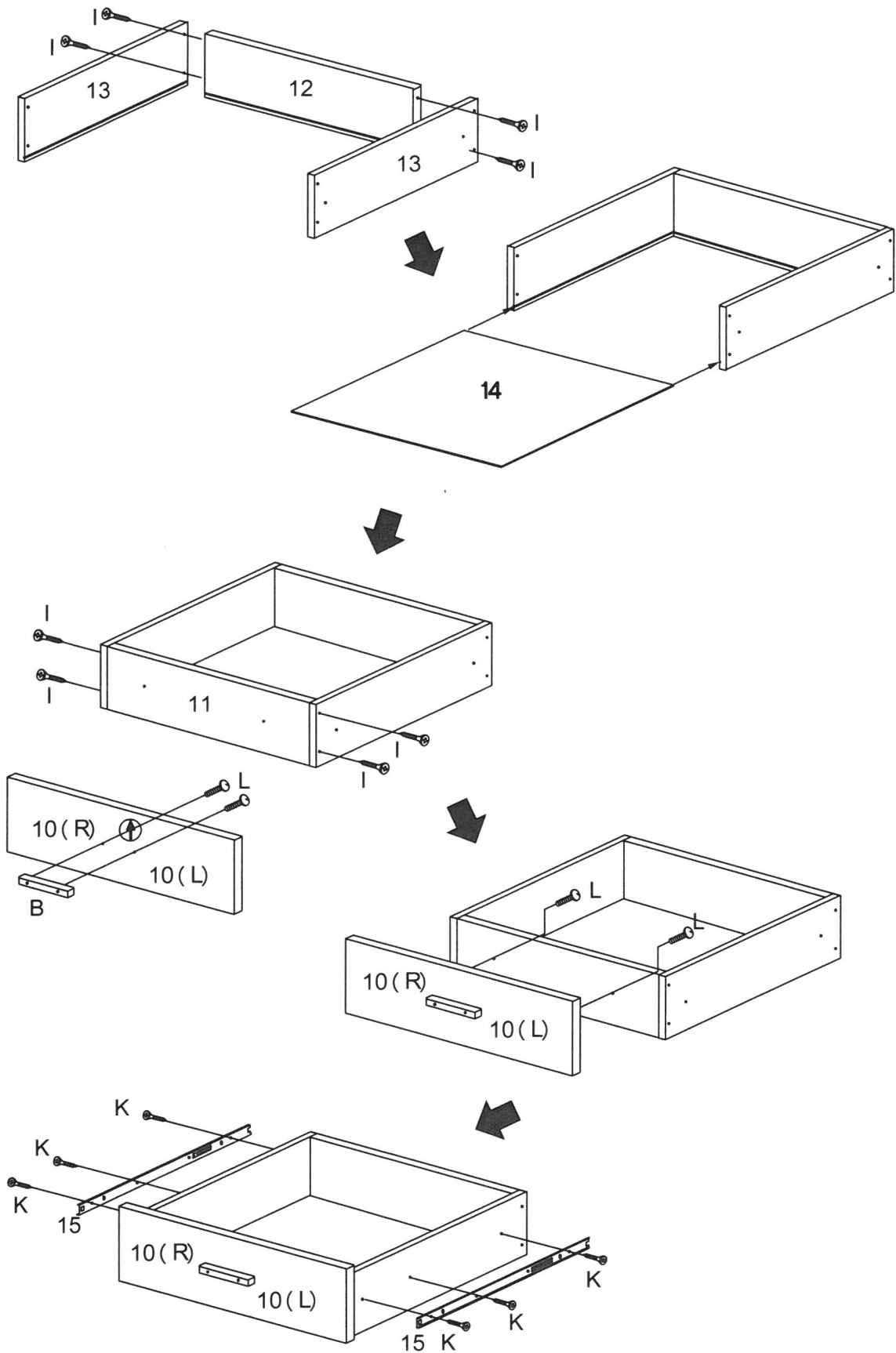
Attention

***Some number parts listed on the instruction sheet may not be in parts bag as they may be assembled.

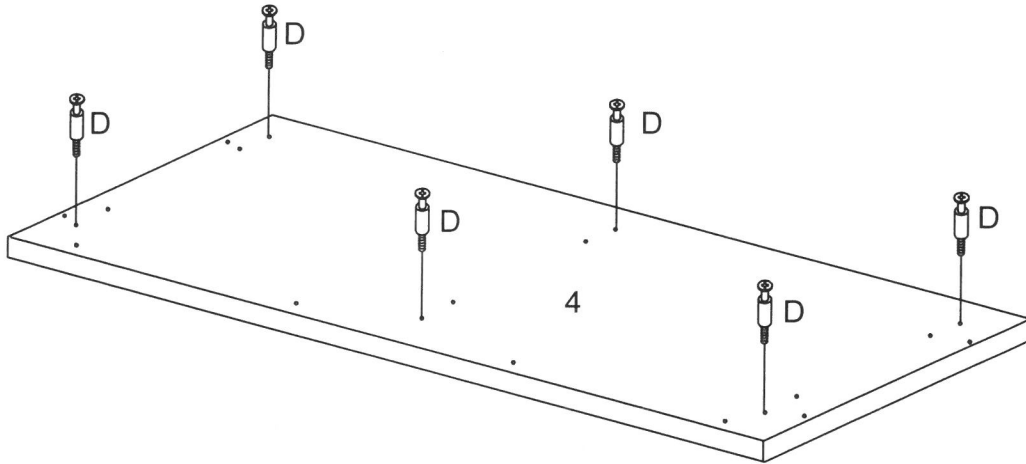
Carefully check parts and packing materials prior to ordering replacements.

How to assemble:

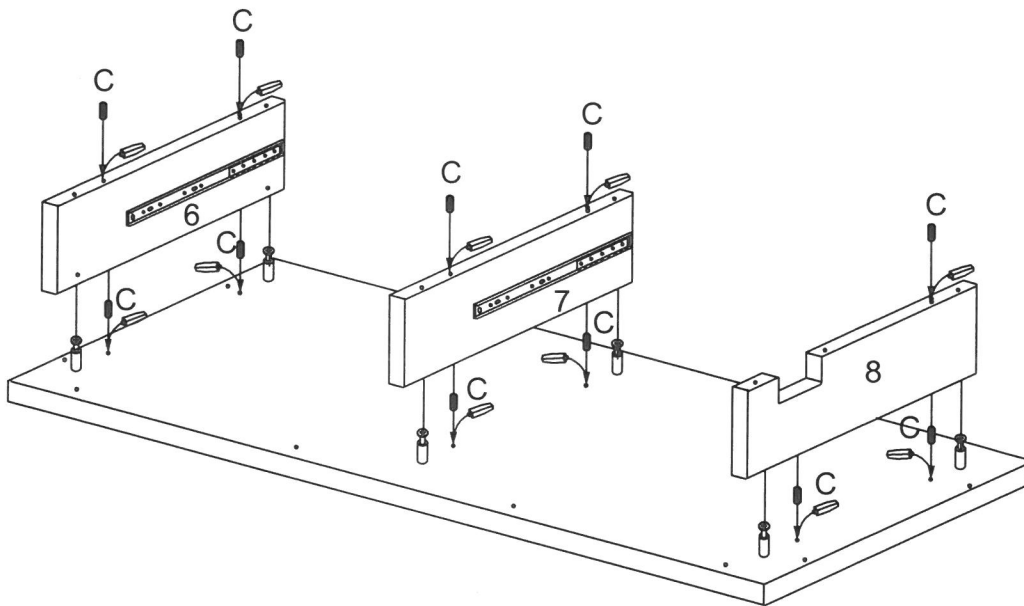
STEP 1



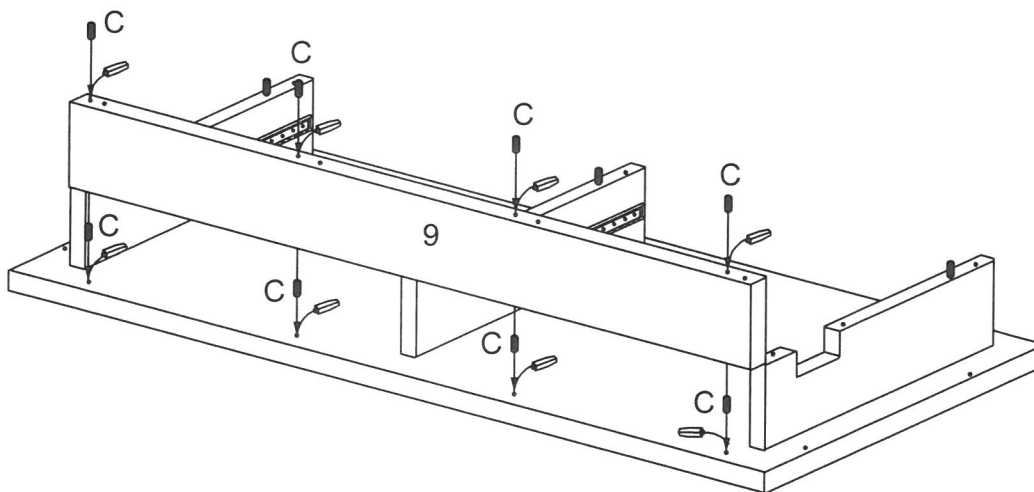
STEP 2



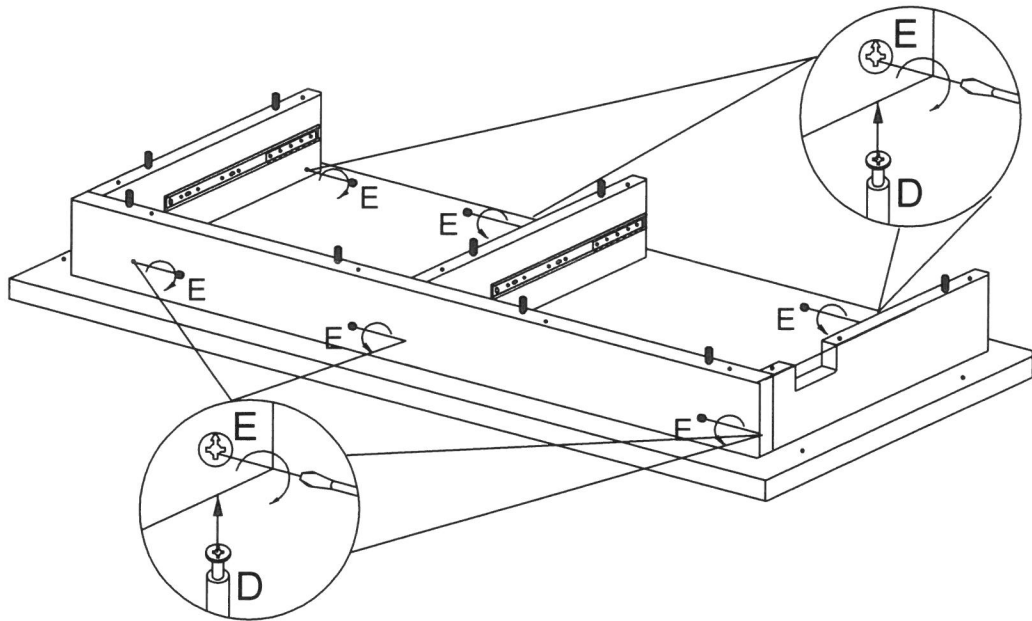
STEP 3



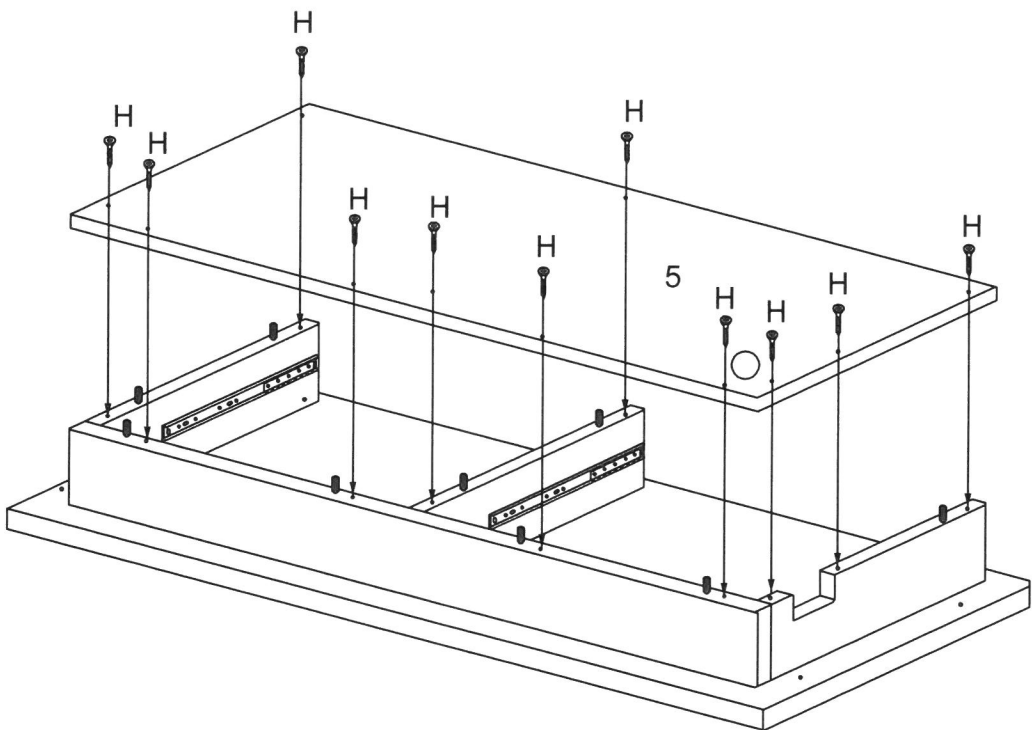
STEP 4



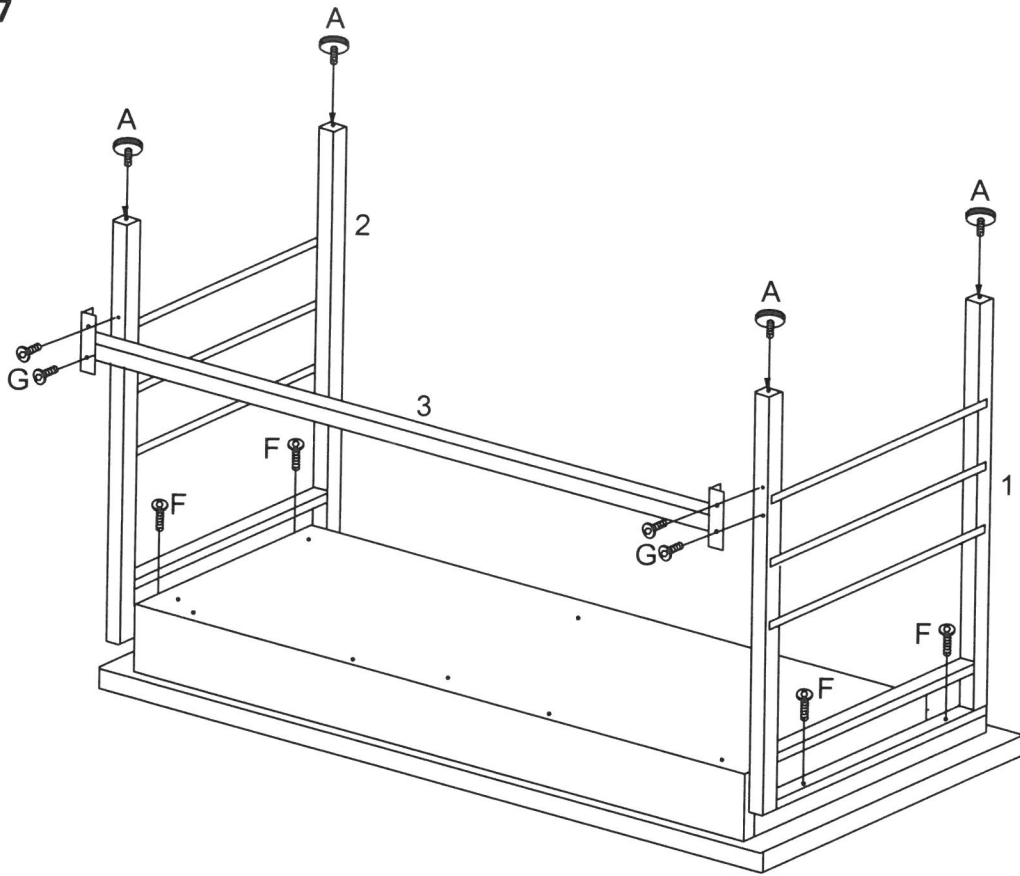
STEP 5



STEP 6



STEP 7



STEP 8

