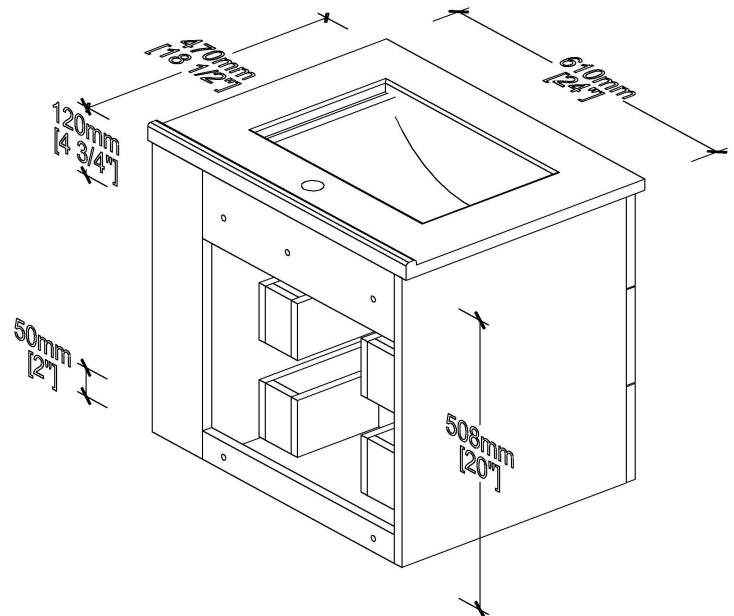
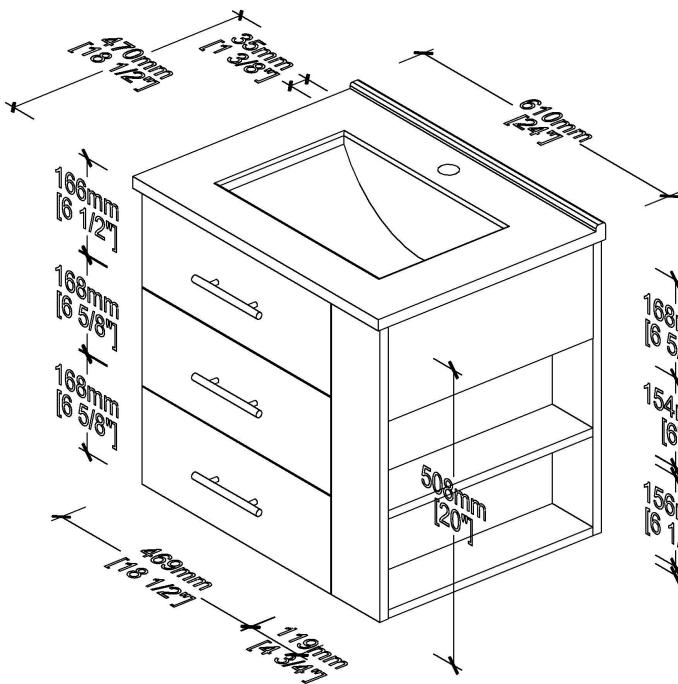
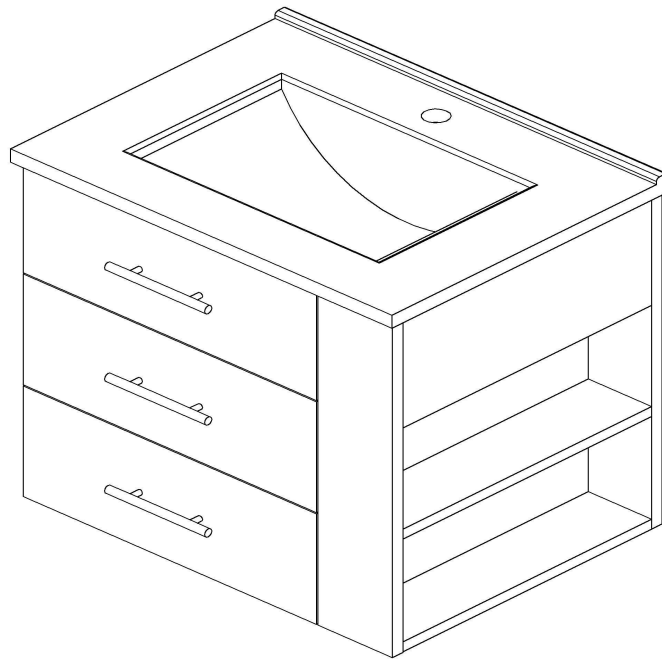


# MANUAL GUIDE

## 24inch Rightside Shelf



# PRE-ASSEMBLY

---

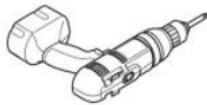
To ensure your installation goes smoothly, please read the following instructions carefully before your installation

1. Removing your old vanity (if applicable). Turn off the electricity and water supply before you start. Then disconnect all lines to the sink and disconnect appliances.
2. Evening out walls and floor Flat, level surfaces are important. Unevenness can cause your vanity to become misaligned resulting in twisting of the cabinet.
3. Check all parts and review all tools (not included) make sure you have all prepared before your installation.

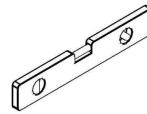
## TOOLS REQUIRED (Not included )



Sealant



Drill

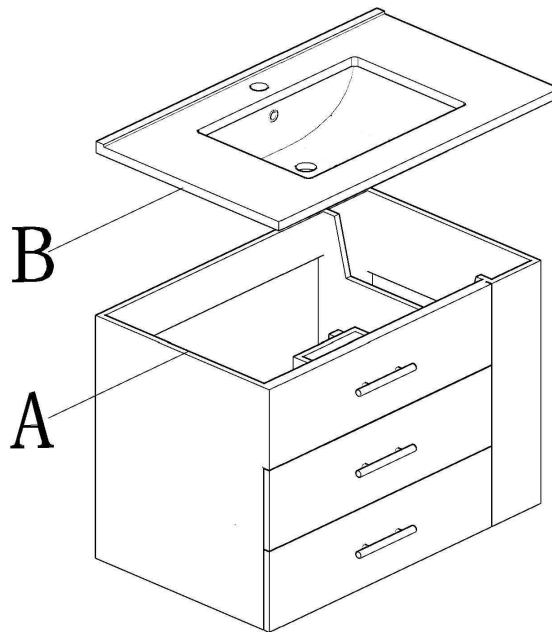


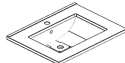





Level



Pencil

## PACKAGE CONTENTS



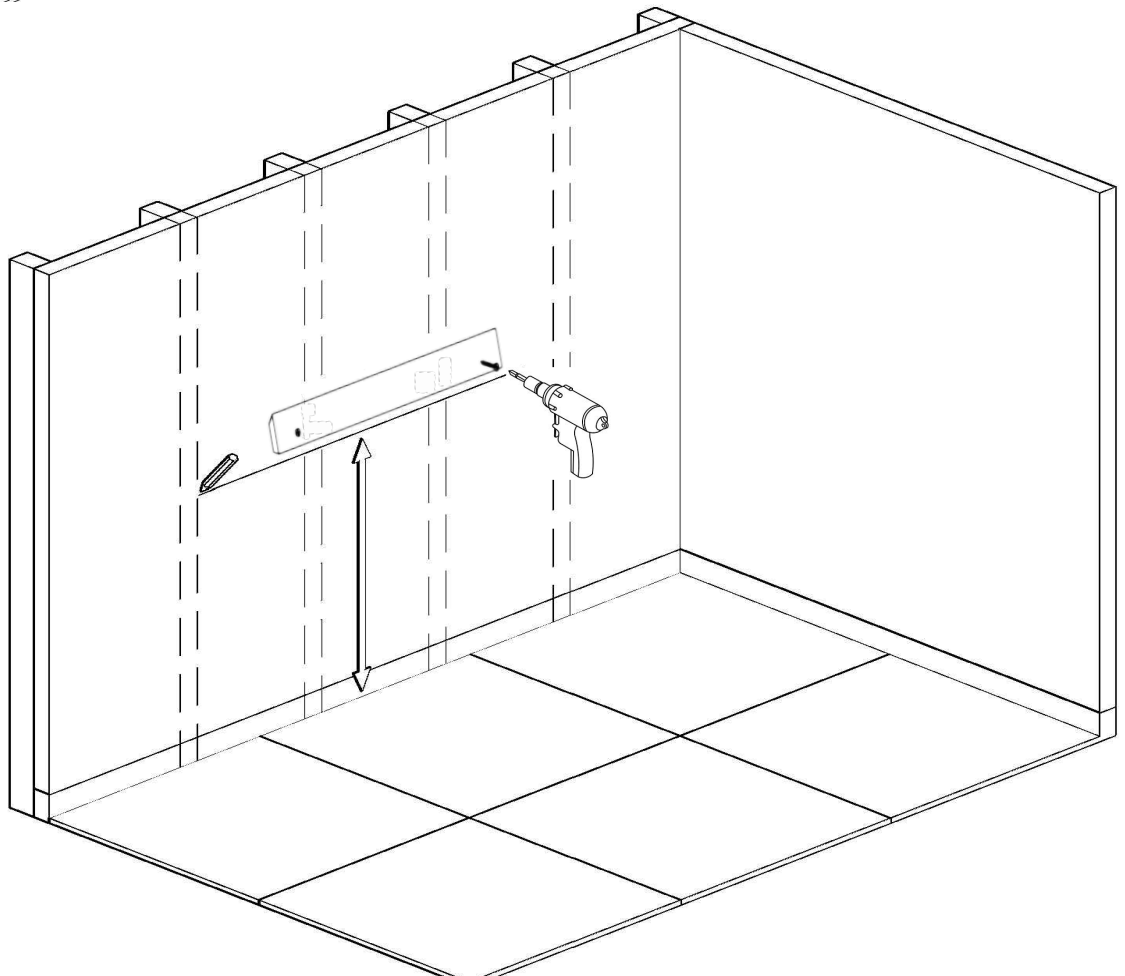
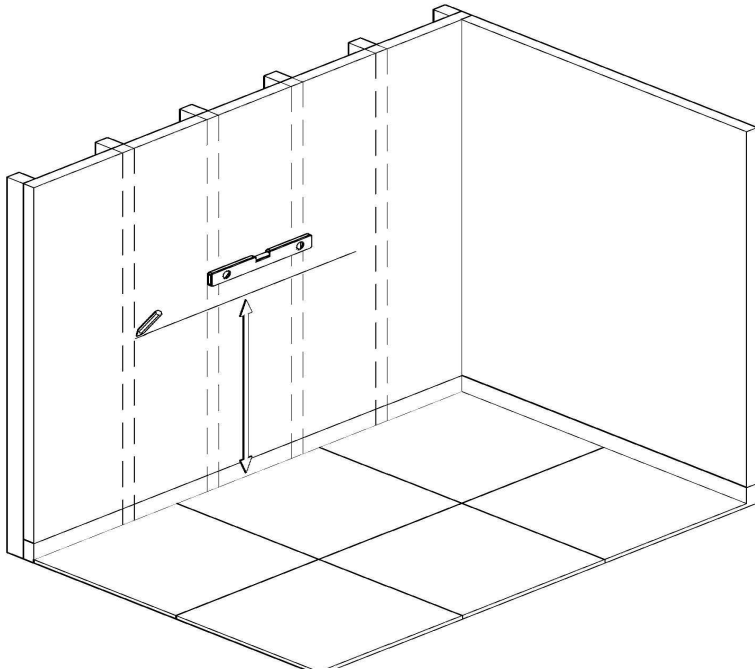
Part	Description	Parts	Quantity
A	Vanity base		1
B	Countertop		1
C	Anchors		9
D	Screws		9
E	Mounting brackets		1
F	Rubber shims		4

## 1. Mark the studs and install the mounting Brackets

1: Use pencil to mark the studs on the wall.

2: Use level ensures marks are leveled.

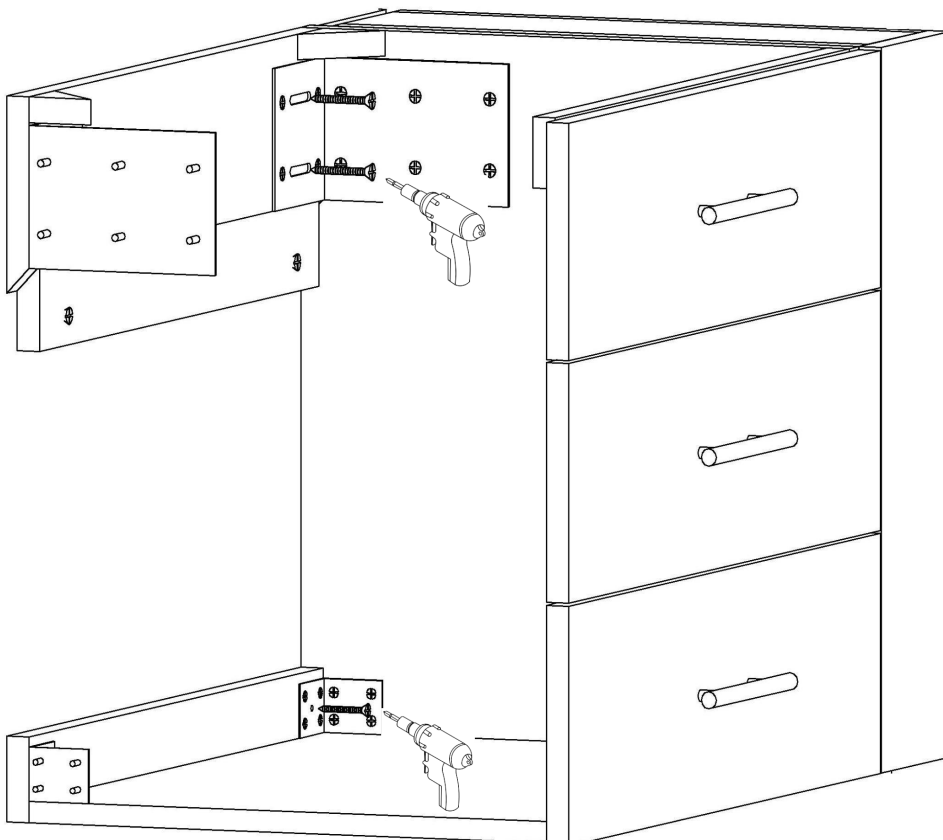
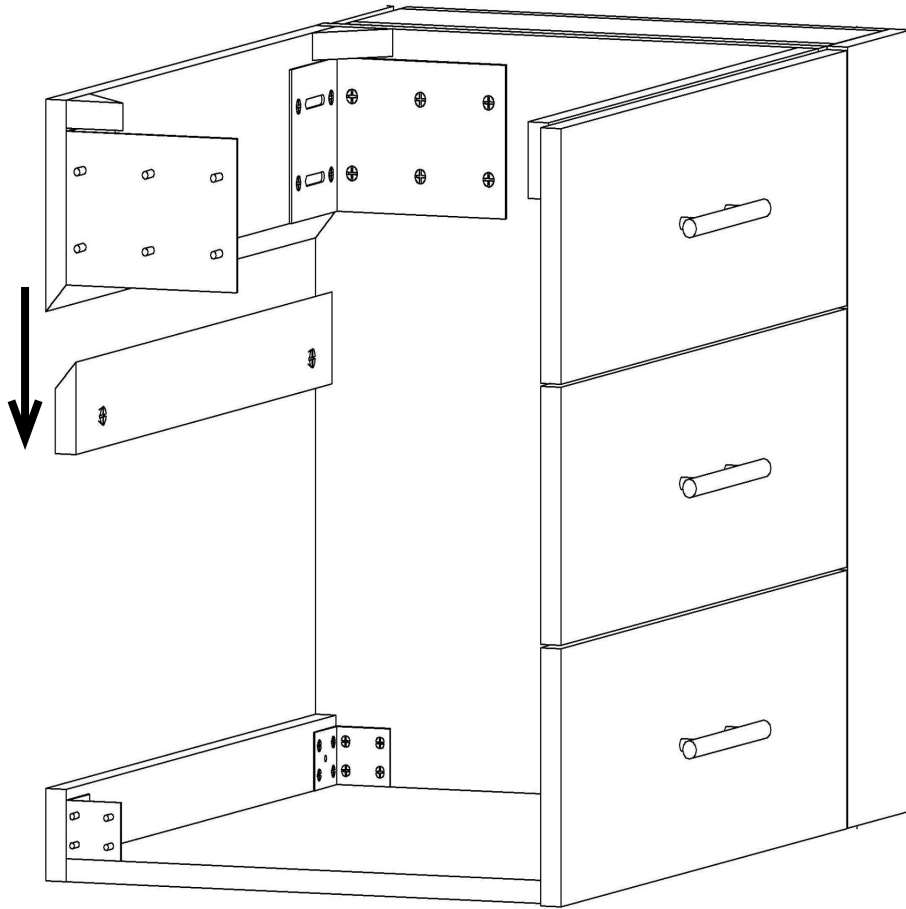
3: Use the anchors and screws install the mounting brackets on the wall



## 2. Place the Cabinet

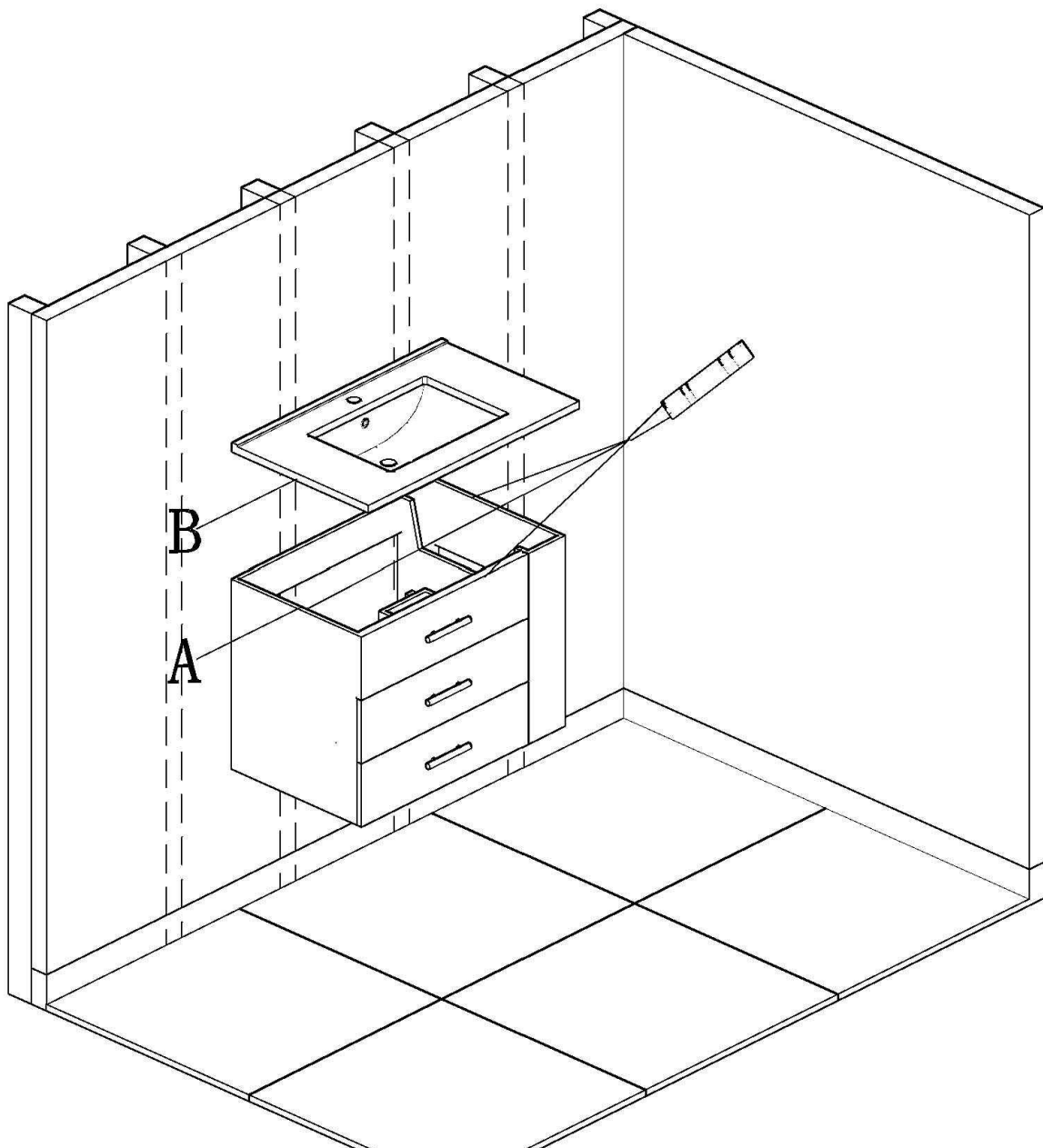
1: Hang the cabinet upon the mounting brackets

2: Use the anchors and screws install the cabinet on the wall



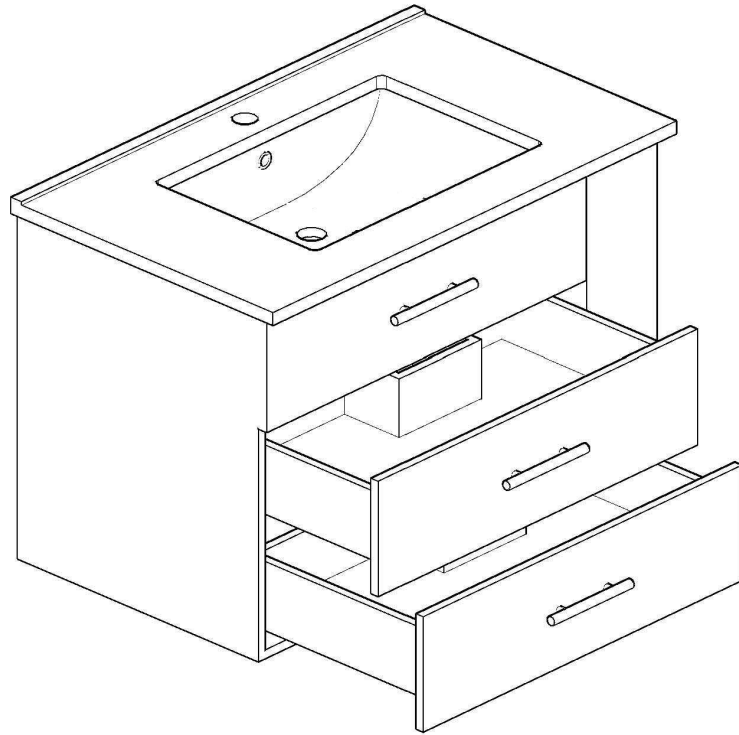
### 3. Install the counter-top

- 1: Clear countertop of all debris before applying clear silicon sealant.
- 2: Ensure to apply the sealant on the entire bottom edge of the countertop.
- 3: Use rubber shims repair any unevenness between countertop and vanity base (if necessary).
- 4: Press countertop gently against vanity base.
- 5: Let it sit and dry for 24 hours.



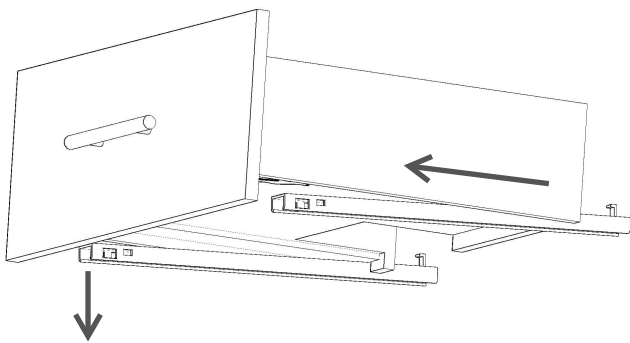
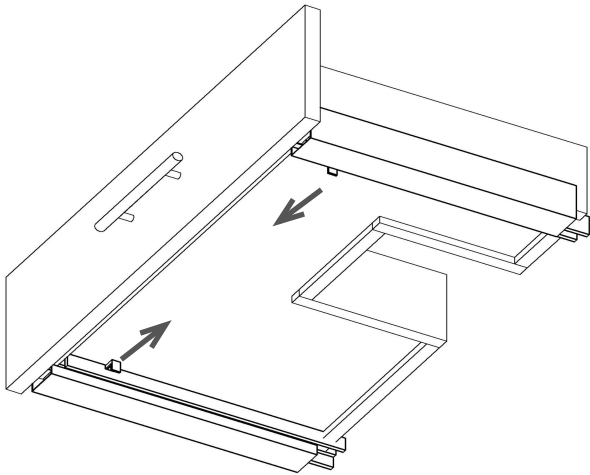
A

DRAWER REMOVAL AND RE-INSTALLATION INSTRUCTIONS



B

REMOVAL



C

RE-INSTALLATION

