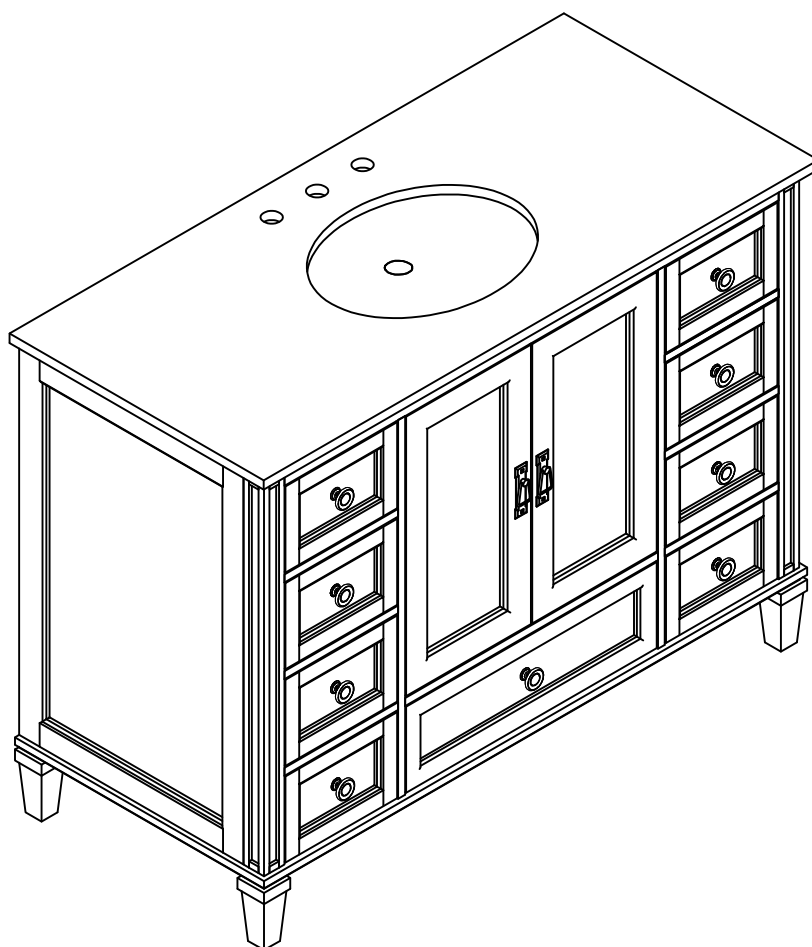


**48 IN. W X 22 IN. D BATH VANITY IN  
GRAY WITH MARBLE VANITY TOP IN WHITE WITH WHITE BASIN**

ASSEMBLY INSTRUCTIONS

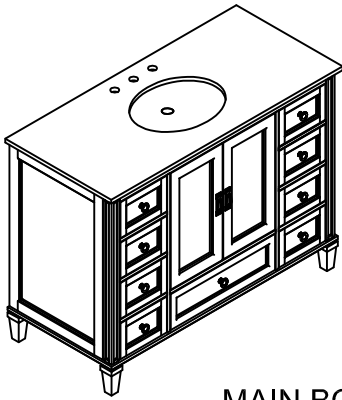
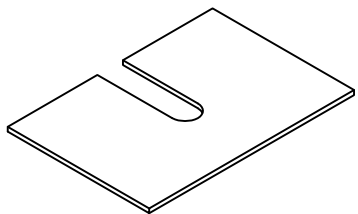
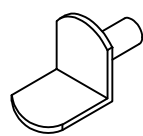


Thank you for purchasing this quality product. Be sure to check all packing material carefully for small parts, which may have come loose inside the carton during shipment. Count all parts and material hardware, then compare with parts list to be sure all parts are present. If any parts are missing or damaged, phone, fax, or mail to our Customer Service Department for efficient and speedy service. Please indicate the model number and code letter of part(s) needed.

NOTE: In order to prevent damage during assembly, please assemble this item with at least two people.

IMPORTANT NOTE: Follow instructions listed below in proper sequence as numbered to assure fast, easy and correct assembly.

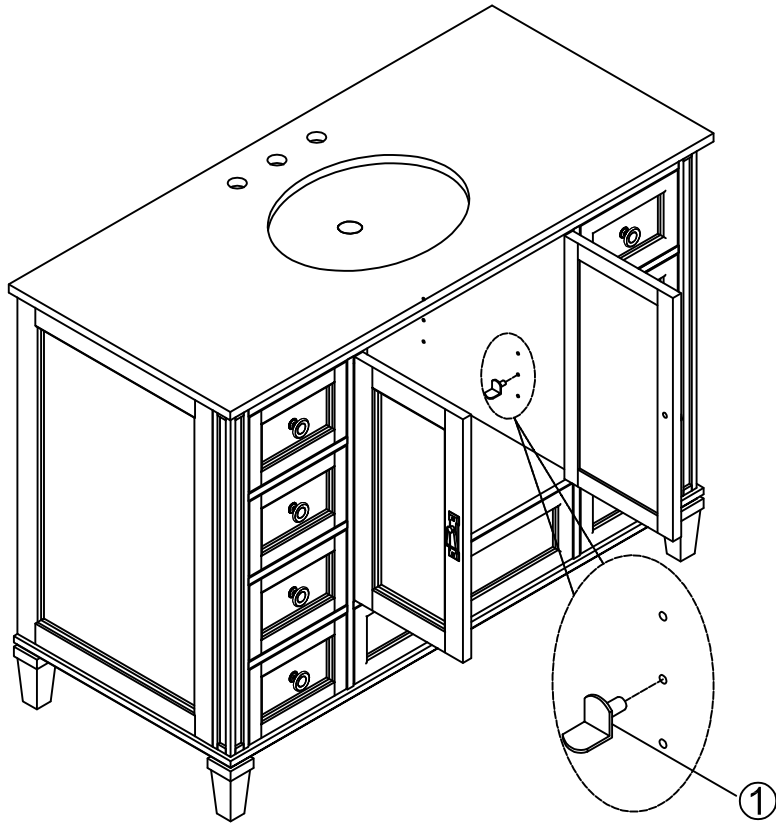
## PARTS LIST

<p>A</p>  <p style="text-align: center;">MAIN BODY</p>	<p>B</p>  <p style="text-align: center;">SHELVES PANEL-1PC</p>	<p>1</p>  <p style="text-align: center;">SHELF SUPPORT-4PCS</p>
--	--	---

NOTE: THE SURFACE WITH THE STICKER IS THE BACK SIDE.

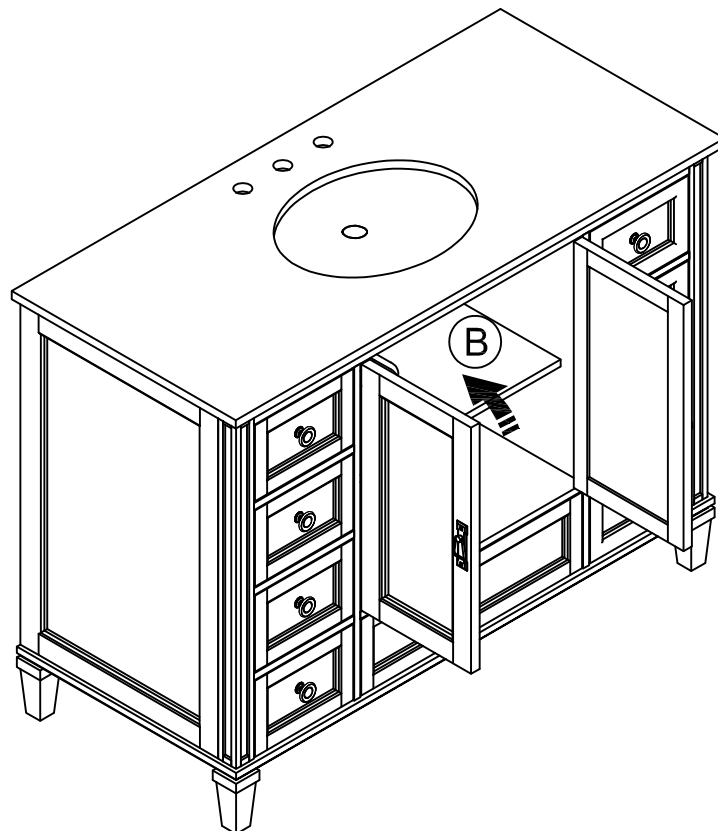
# 1 ASSEMBLE THE MAIN BODY THE SHELF SUPPORT

Attach the shelf support (1) to the main body



# 2 ASSEMBLE THE MAIN BODY THE SHELVES PANEL

Attach the shelves (B) to the main body



### 3 ASSEMBLE THE MAIN BODY THE SHELVES PANEL

Twist the adjustable feet to ensure that main body is level and steady

